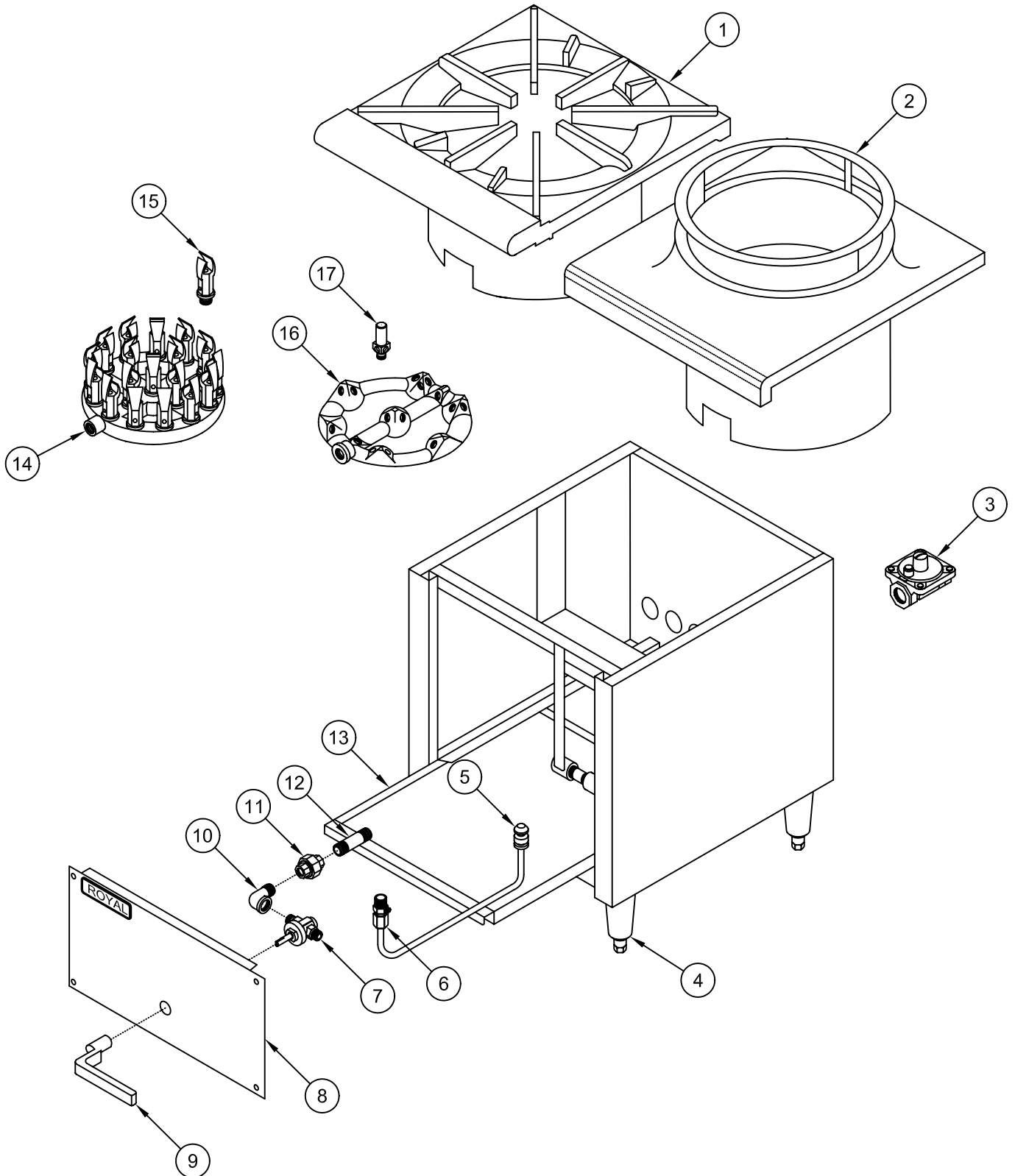
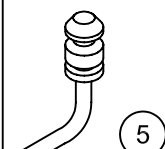
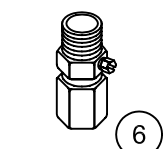
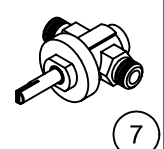




# RMJ Mandarin Jet



PILOT TIP ASSY	SINGLE PILOT	MAIN GAS VALVE	JET TIP	DUCK TIP
 5	 6	 7	 15	 17

# RMJ

## Mandarin Jet

ITEM NO.	PART NO.	DESCRIPTION
1	1300	Top grate (cast iron) w/cylinder
2	1301-13 1301-15	13" - Wok top ring w/cylinder 15" - Wok top ring w/cylinder
3	1618 1619	Gas pressure regulator (natural gas) Gas pressure regulator (propane gas)
4	1219	Chrome cone leg
5	1313	Pilot tip assembly
6	1120	1/8" NPT x 3/16" CC Adjustable single pilot valve (brass)
7	1314	1/2" NPT x 1/2" NPT Main gas valve (brass)
8	1317	RMJ Valve cover
9	1315	"L" shaped handle for gas control
10	1318	1/2" NPT Street elbow (iron)
11	1319	1/2" NPT Union (iron)
12	1320	1/2" NPT Nipple (iron)
13	1206	Crumb tray
14	1302 1303	18 Tip duck jet burner - 125,000 B.T.U. (natural gas) 18 Tip duck jet burner - 125,000 B.T.U. (propane gas)
15	1304 1305	Duck jet burner tip only (natural gas) Duck jet burner tip only (propane gas)
16	1308 1309	32 Tip jet burner - 100,000 B.T.U. (natural gas) 32 Tip jet burner - 100,000 B.T.U. (propane gas)
17	1310 1311	Jet burner tip only (natural gas) Jet burner tip only (propane gas)