



Tankless Gas Water Heating
Replacement Parts and Accessories Catalog

TANKLESS WATER HEATING PARTS & ACCESSORIES

2016 CATALOG



Ruud.com

RELY ON RUUD.™

Table Of Contents

| | |
|--|-------|
| General Terms and Conditions..... | 3 |
| Contact Information..... | 4 |
| Parts Kits..... | 5 |
| Tankless Accessories..... | 6 |
| Maintenance and Service..... | 6 |
| Manifold Systems..... | 7 |
| Tankless Venting..... | 8-9 |
| Parts for RUTGH-84DVLN-1, RUTGH-90DVLN-1, RUTGH-95DVLN-1 Series..... | 10-11 |
| Parts for RUTGH-84XLN-1, RUTGH-90XLN-1, RUTGH-95XLN-1 Series..... | 12-13 |
| Parts for RUTG-64DVLN-1, RUTG-84DVLN-1, RUTG-95DVLN-1 Series..... | 14-15 |
| Parts for RUTG-64XLN-1, RUTG-84XLN-1, RUTG-95XLN-1 Series..... | 16-17 |
| Parts for RUTGH-84DV, RUTGH-90DV, RUTGH-95DV Series..... | 18-19 |
| Parts for RUTGH-84X, RUTGH-90X, RUTGH-95X Series..... | 20-21 |
| Parts for RUTG-64, RUTG-84, RUTG-95, DV and DVL Series..... | 22-23 |
| Parts for RUTG-64, RUTG-84, RUTG-95, X and XL Series..... | 24-25 |
| Tankless Model Cross Reference..... | 26-27 |

General Terms and Conditions

A comprehensive catalog of approved replacement parts

for Ruud® and Rheem® tankless gas water heaters*.

Freight Allowance

Please see the Tankless Parts and Accessories Price Sheet for Freight Allowances.

Taxes

Prices are subject to the addition of any tax imposed by any present or future Federal, State, County or Municipal law on the sale of such material, unless we have a tax exemption certificate on file.

Acceptance of Orders

All orders are subject to final approval on the terms and conditions contained in our standard customer acknowledgment form.

Materials Return

Saleable, current component parts in a new or unused condition must have prior authorization by the Parts Packaging Supervisor or Customer Service before being returned. Parts may only be considered for return within 90 days from the original invoice date. Invoice numbers must be provided to Customer Service prior to obtaining a return authorization number. All parts returned without prior authorization will be destroyed or sent back to the sender at their expense. All returns will be subject to our inspection and a 25% restocking charge. Returned parts that are damaged or in a condition that prevents resale will not be credited. Service/Warranty Parts returned in accordance with warranty claim provisions do not require prior authorization, but will be subject to our inspection. See Price Sheet for Additional Conditions.

Parts Warranty

All tankless service parts are warranted for the remainder of the parts warranty covering the product they are being used to service. If no warranty is remaining on said product then the warranty will be for a period of 90 days from the date of purchase. Contact Technical Service for warranty information.

Accessories Warranty

All tankless accessories are warranted for a period of 1 year from the date of original purchase unless covered by a manufacturers warranty. Contact Technical Service for warranty information.

* For Rheem, replace RUTG with RTG

CONTACT INFORMATION

Customer Service

800-621-5622

Product Information/Online Lookup

ruudparts.com

Warranty

MyRuud.com

Fax: 800.535.9538

Email: parts@rheem.com

Technical Service

866.720.2076

Email: techserv@rheem.com

To Place an Order

800.621.5622

Fax: 800.535.9538



Located in Randleman, North Carolina with a 185,000 sq. ft. distribution center, the Replacement Parts Division provides products and services including the support of new equipment sales by providing OEM replacement parts, and parts identification. In addition, we sell and market aftermarket parts and products that are included in the installation, maintenance and servicing of HVAC equipment, water heaters and other residential power equipment.

TANKLESS GAS WATER HEATER PARTS KITS

for Ruud Tankless Water Heaters

Ruud introduces the Tankless Gas Water Heater Service parts kits. These kits, designed with the contractor in mind, provide all the basic parts necessary for a complete repair of a Ruud tankless gas water heater.

PROTECH™

PROTECH PD966349 - Mid-Efficiency direct vent models
(RUTG-95DVL-1, RUTG-84DVL-1, RUTG-64DVL-1)

PROTECH PD966350 - Mid-Efficiency outdoor models
(RUTG-95XL-1, RUTG-84XL-1, RUTG-64XL-1)

PROTECH PD966351 - Condensing models
(RUTGH-95DVL-1, RUTGH-90DVL-1, RUTGH-84DVL-1)
(RUTGH-95XL-1, RUTGH-90XL-1, RUTGH-84XL-1)

These kits include 1 each of the following:

- Control Board
- Thermistors
- Gas Valve
- Flame Rods
- Flame Rod Wires
- Ignitor Coil
- Ignitor Rod
- Gas Valve Assembly
- Gas Inlet Connector
- Blower Motor
- Water Control Valves
- Drain Plug
- Inlet Water Filter
- Screw Kit
- O-ring Kit
- Remote Control



PROTECH Kits for Older Models:

PROTECH PD966332 - Mid-Efficiency direct vent models (RUTG-95DVL, RUTG-84DVL, RUTG-64DVL)

PROTECH PD966333 - Mid-Efficiency outdoor models (RUTG-95XL, RUTG-84XL, RUTG-64XL)

PROTECH PD966334 - Condensing models (RUTGH-95DVL, RUTGH-90DVL, RUTGH-84DVL)
(RUTGH-95XL, RUTGH-90XL, RUTGH-84XL)

Tankless Accessories

Finish and Appearance



Cosmetic Pipe Covers
Pipe covers enhance an indoor or outdoor installation by concealing the piping beneath the water heater. It provides protection from tampering and weather conditions. These covers come in a grey finish to match the tankless heater.

Dimensions: Width and depth of the heater, all are 16-1/2" tall.

- **RTG20227 (grey)**
For the RUTGH-95DV, RUTGH-95X, RUTGH-90DV, RUTGH-90X, RUTGH-84DV, and RUTGH-84X models*
- **RTG20217DVG (grey)**
For the RUTG-95DV, RUTG-84DV, RUTG-64DV and RUTG-66DV models*
- **RTG20217XG (grey)**
For the RUTG-95X, RUTG-84X, RUTG-64X and RUTG-66X models*
*Kits also applicable to models with "-1"



Outdoor Recess Boxes
Recess boxes enhance an outdoor installation by protecting the tankless unit from damage and tampering. It also provides additional protection from extreme weather. These boxes come in a grey finish and can be painted by the customer.

- **RTG20226**
For the RUTGH-95, RUTGH-90 and RUTGH-84 X and XL models*
Rough-in Dimensions: 46" High, 19-1/2" Wide, 9-1/2" Deep
- **RTG20253 - Recess Box for Stucco Applications**
For the RUTGH-84XL, RUTGH-90XL and RUTGH-95XL models*
Rough-in Dimensions: 46" High, 19-1/2" Wide, 9-1/2" Deep
- **RTG20218**
For the RUTG-64, RUTG-84, and RUTG-95 X and XL models*
Rough in Dimensions: 42" High, 14-1/2" Wide, 8-1/2" Deep
- **RTG20238 - Retrofit Kit for 74X Recess Box**
Allows an RUTG-95XL, RUTG-84XL, RUTG-64XL models*, to be installed in a first generation 74 Series Recess box without changing the box out. Kit includes 2 brackets, hardware, and instructions.
- **RTG20243 (grey)**
For the RUTG-95, RUTG-84, RUTG-64 DV and DVL models*
- **RTG20248 - Recess Box for Stucco Applications**
For the RUTG-64XL, RUTG-84XL, and RUTG-95XL models*
Rough in Dimensions: 42" High, 14-1/2" Wide, 8-1/2" Deep
*Kits also applicable to models with "-1"

Maximum Comfort

Recirculation Pump Kit (Timer Based)

For use with RUTGH-84DVLN/XN-1, RUTGH-90DVLN/XN-1, RUTGH-95DVLN/XN-1, RUTG-64DVLN/XN-1, RUTG-84DVLN/XN-1 and RUTG-95DVLN/XN-1



- **AP17920**
Kit contains: 1) Taco® 0015 recirculation pump with internal check valve, (2) Stainless steel flanges and flange gaskets, (4) 7/16"-14 Bolts and nuts, and (1) Installation instruction sheet

Maintenance and Service



Tankless Service Valves
Allow for easy maintenance and service, such as flushing, for your tankless water heater.

- **RTG20220AB**
Webstone service valves, clean brass for low lead code, includes relief valve



AllClear™ Water Treatment System
Combat hard water and scale build up

- **RTG20251**
AllClear™ Water Treatment System
- **RTG20252**
Replacement Cartridge



Tankless Flush Kit
Connects easily to tankless service valves. Allows for the flushing the heat exchanger with a cleaning solution such as white vinegar. Simple to use.

- **RTG20124**
Includes: 5-gallon bucket, submersible pump, and two hoses



Pressure Relief Valve
Provides protection against excessive water pressure for your tankless water heater.

- **AP12993C**
Watts pressure relief valve, Rated at 150psi – 3/4" threads

Remote Control Options

Tankless Remote Controls
Allow for easy temperature adjustment and maintenance information access. Connect up to 3 remote controls, one of each type, to your tankless system.



- **RTG20006DW**
UMC-117 Main Remote Control, Generic without branding
- **RTG20006DU**
USC1-117 Bath Remote Control, Generic without branding
- **RTG20006DV**
USC2-117 Second Bath Remote Control, Generic without branding
- **RTG20009-1**
10-ft. Thermostat Wire, 1 pair 18AWG

Tankless Manifold Systems

EZ-Link™: Connect two tankless water heaters

EZ-Link™ Cable

Connect two tankless water heaters together in a manifold*** †
This will allow two heaters to communicate together and operate as a single unit. Perfect for when one tankless is just not enough.

- RTG20040
6-ft. Long Cable with Connectors, and Wire Support Clamps.

*** Only two units may be connected together with the EZ-Link™ cable.
† Only Identical models: all RUTG-95, RUTG-84, RUTG-64, RUTGH-84, RUTGH-90, and RUTGH-95 models can be used with the EZ-Link Cable.



MIC-6 Manifold Controller System

Connect up to 6 tankless water heaters

MIC-6 Manifold Controller System

For the RUTGH-95, RUTGH-84, RUTGH-90, RUTG-95, RUTG-84, and RUTG-64 series models only.
Connect up to 6 tankless water heaters together in a manifold. This kit mounts inside a single tankless unit and connects to up to 5 additional units for a total of 6.

Notice: This kit will not work on any model manufactured before Jan 2010.

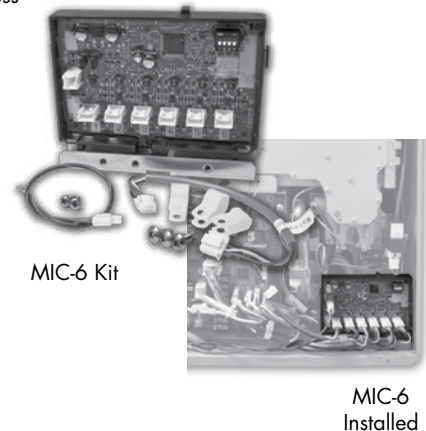
- RTG20213A
Connect up to 6 tankless water heaters together in a manifold.
Includes (1) 1-ft. control cable, and (1) 6-ft. control cable. Additional Type Q cables are necessary and listed below.

Manifold Control Cables (Type Q)

One required for each tankless water heater installed in a manifold. Connects a single tankless water heater to the MIC-6.

Notice: These cables will not fit the MIC-185 System.

- RTG20213B - MIC-Q-1 1-ft. Control Cable
- RTG20213C - MIC-Q-6 6-ft. Control Cable
- RTG20213D - MIC-Q-18 18-ft. Control Cable



MIC-185 Manifold Controller System

Connect up to 20 tankless water heaters



MIC-185 Manifold Controller System

- RTG20126A
Manifold and control up to 6 tankless models.*
Includes installation cabinet for indoor or outdoor applications.

MICS-180 Manifold Controller Expansion Card

- RTG20126B
Add on to the MIC-185 for up to 20 units in total.**
Installations of 7 to 20 units require this expansion card.
Mounts inside the MIC-185 cabinet. Includes cables to connect to the MIC-185 board.

Replacement Manifold Control Board

- RTG20126W - MIC-185 Board
Replacement board for the MIC-180 or MIC-185.

Manifold Control Cables (Type K)

One required for each tankless water heater installed in a manifold. Connects a single tankless water heater to the MIC-180.

Notice: These cables will not fit the MIC-6.

- RTG20126C - MIC-K-16
16-ft. Control Cable
- RTG20126D - MIC-K-32
32-ft. Control Cable
- RTG20126E - MIC-K-65
65-ft. Control Cable



* All RUTG-95, RUTG-84, RUTG-64, RUTGH-84, RUTGH-90 and RUTGH-95 models.

Commercial upgraded models will be limited to 185°F in a manifold system. Residential models are limited to 140°F.

** This card provides control cable connection points for 7 - 20 units in multi-unit manifold.

Tankless Venting

PVC Termination Kits

for RUTGH-84DV, RUTGH-90DV and RUTGH-95DV



Horizontal Vent Termination

- SP20286 for 3" PVC
PTX-129
- SP20285 for 2" PVC
RXGY-G02

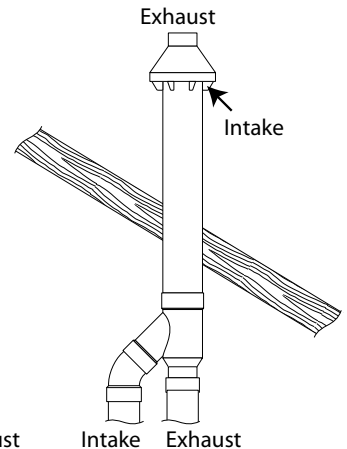
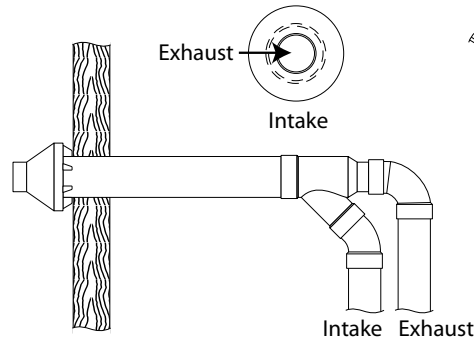
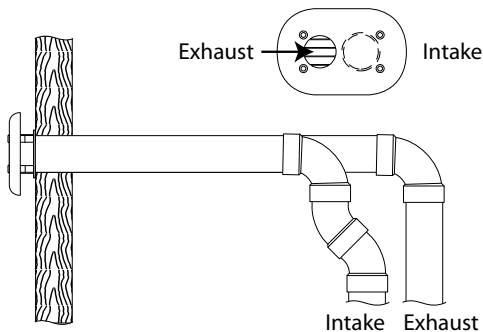
11-3/4" Wide, 8" Tall, 2-1/2" Deep
Fits PVC, ABS piping. Offers a clean installation of the intake and exhaust pipes of the condensing tankless water heater.



Horizontal or Vertical
Concentric Vent Termination

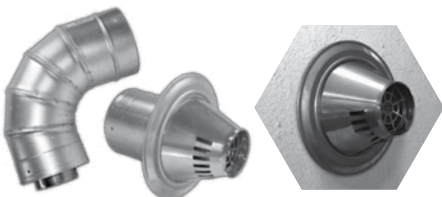
- SP20245 for 3" PVC
RXGY-E03A

39" Long, 7-1/4" Diameter, 4-1/2" opening required. Fits PVC, ABS piping. Offers a clean installation by combining the intake and exhaust pipes of the condensing tankless water heater into a single concentric vent termination.



3"/5" Stainless Steel Concentric Vent Kits by Metal Fab, Inc.

for RUTG-64DVL, RUTG-84DVL and RUTG-95DVL models



Low-Profile Horizontal
Vent Termination Kit by
Metal Fab, Inc.

- RTG20231
Contains: 90-Degree Elbow, Short Low-Profile Termination, Screws. For 2" x 4" Wall with 1-1/2" Siding. For up to 6" walls. Can be extended. MF3CGVPHK3
- RTG20234
Contains: 90-Degree Elbow, Short Low-Profile Termination, Screws. For 2" x 6" Wall with 1-1/2" Siding. For up to 8" walls. Can be extended. MF3CGVPHK4
- RTG20257
Contains: 90-Degree Elbow, Short Low-Profile Termination, Trim Ring, Screws. For up to 10" walls. Can be extended.

- RTG20258
Contains: 90-Degree Elbow, Short Low-Profile Termination, Trim Ring, Screws. For up to 12" walls. Can be extended.
- RTG20230
4" Short Low-Profile Termination
- RTG20233
6" Long Low-Profile Termination
- RTG20259
8" Long Low-Profile Termination
- RTG20260
10" Long Low-Profile Termination



Horizontal Vent
Termination Kit by Metal
Fab, Inc.

- RTG20210
Contains: 94-Degree Elbow, Long Termination, (1) 12" Wall Plate, Screws. For up to 10" walls. Can be extended. MF3CGVPHK1



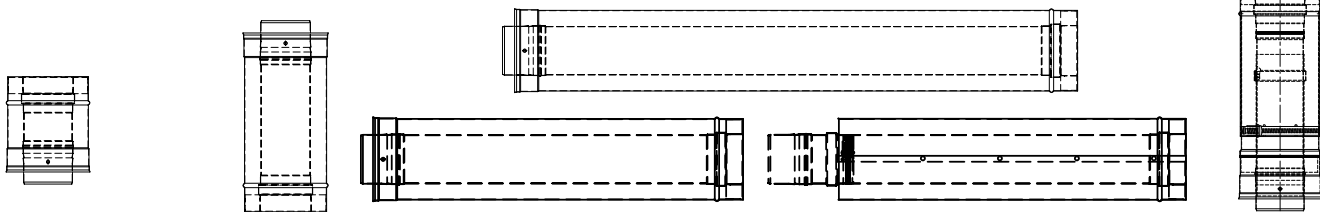
Vertical Vent Termination
Kit by Metal Fab, Inc.

- RTG20211
Contains: Storm Collar, 6/12 to 12/12 Pitched Cone Flashing, Vertical Termination with Rain Cap. Does not include vertical vent pipe. MF3CGVVK1

Tankless Venting

3"/5" Stainless Steel Concentric Tankless Venting by Metal Fab, Inc.

for RUTG-64DV, RUTG-84DV and RUTG-95DV models



6" Vent Length
• RTG20151W
5.66" overall length
MF3CGV6

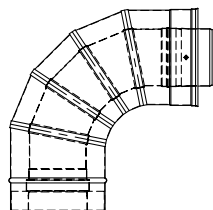
12" Vent Length
• RTG20151R
11.66" overall length
MF3CGV12

24" Vent Length
• RTG20151C-1
23.66" overall length
MF3CGV24

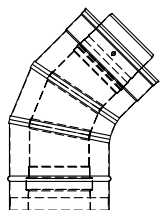
36" Vent Length
• RTG20151D-1
35.66" overall length
MF3CGV36

Adjustable Vent Length
• RTG20151E-1
7.5" to 22" overall length
MF3GVL22

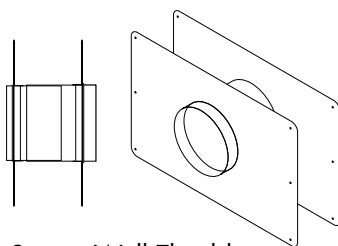
Adjustable Vent Length
• RTG20151Y
13" to 20" overall length
MF3CGVVAL20



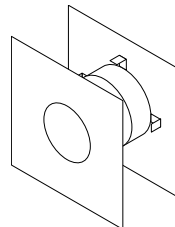
90-Degree Elbow
• RTG20151A-1
8.1" rise - 8.1" run
MF3CGV90L



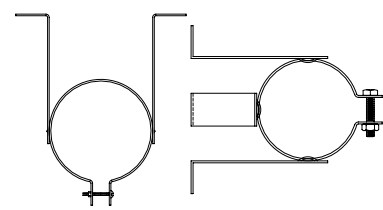
45-Degree Elbow
• RTG20151B-1
8.6" rise - 3" run
MF3CGV45L



Stucco Wall Thimble
• RTG20151Z
17" Wide - 12" Tall
Up to 6" Deep Wall with
Drywall and Stucco Rings
MF3CGVWPKS

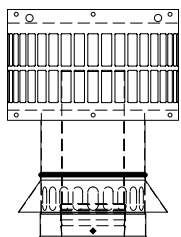


Wall Thimble
• RTG20151X
12" Square, Up to
8" Deep Wall
MF3CGVWPK

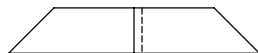


Wall Hanger
• RTG20151H
2-point pivot
mounting
MF3CGVWH1

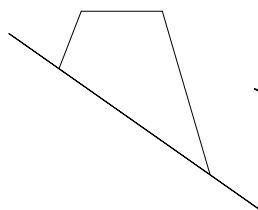
Wall Support
• RTG20151G
3-point
mounting
MF3CGVWS1



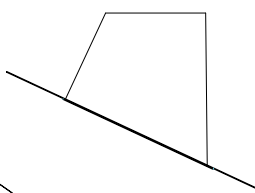
Vertical Cap Termination
• RTG20151P
12" overall height
MF3CGVPVT



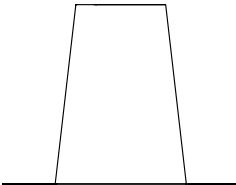
Storm Collar
• RTG20151M-1
split ring
galvanized
MF3CGVSC



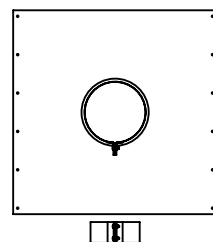
6/12 to 12/12
Roof Flashing
• RTG20151L-1
15" square base
galvanized
MF3CGVF-12



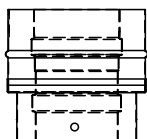
2/12 to 5/12
Roof Flashing
• RTG20151K-1
15" square base
galvanized
MF3CGVF



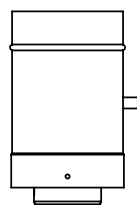
Tall Cone
Roof Flashing
• RTG20151J-1
15" square base
galvanized
MF3CGVFT



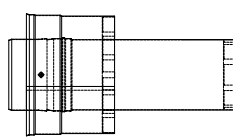
Support Plate
• RTG20151T
17" square base
support/fire stop
MF3CGVPS



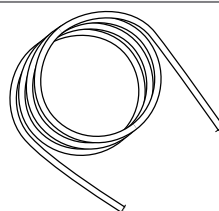
Appliance Adapter
• RTG20144-3
Fits RUTG-66 or 53DV
5" overall length
MF3CGVPA



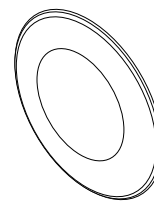
Condensate Drain
• RTG20151S
horizontal and vertical
8.6" overall length
MF3CGVSDS



Horizontal Termination
• RTG20128-2
Short for 4" inch wall
horizontal only
MF3CGVPHT



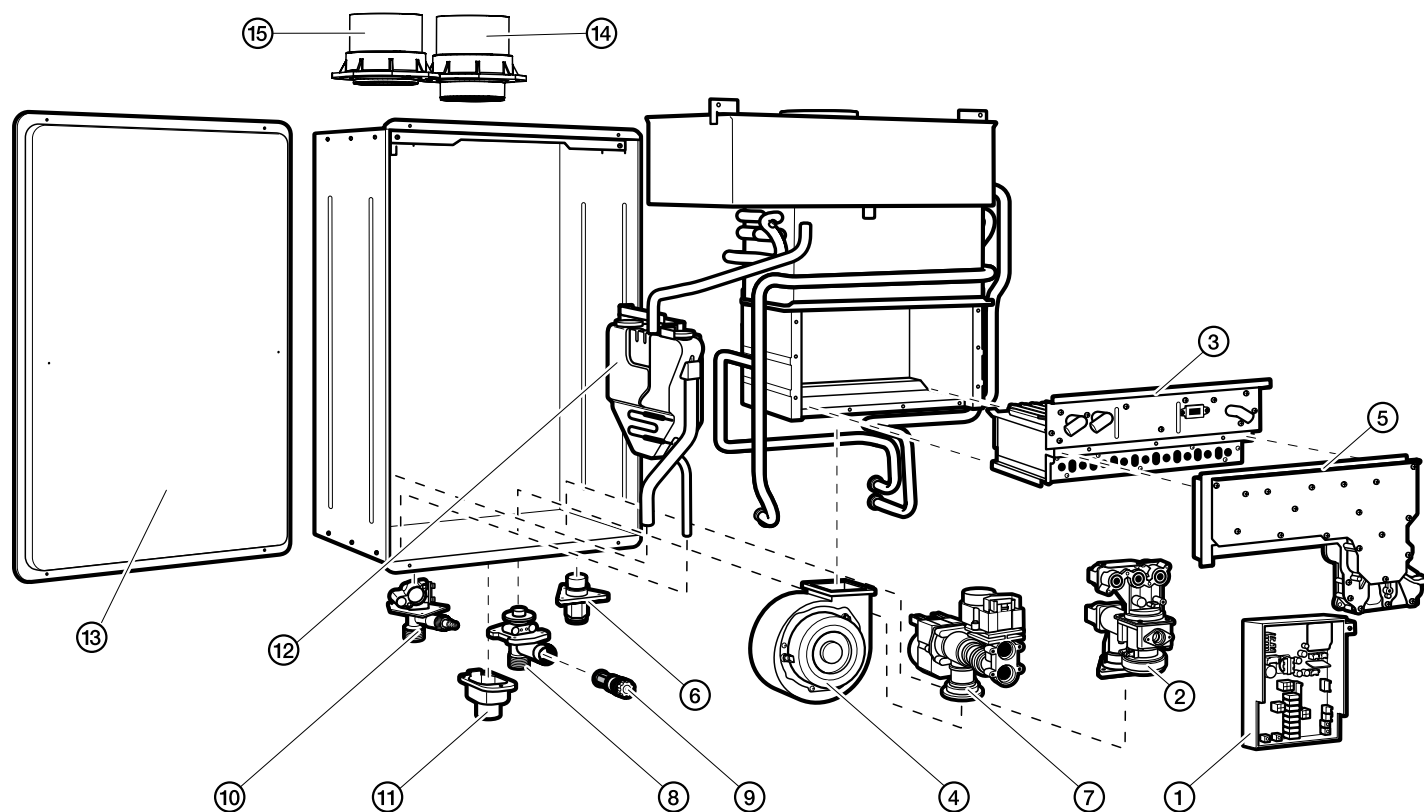
Silicone Condensate
Drain Tube Kit
• RTG20150A
6' high temperature
silicone tube, 2 clamps,
2 wire ties, instructions



Trim Ring
• RTG20151AA
Indoor/Outdoor
8.9" Dia - 5.25"
Hole - Galv
MF3CGTR

NOTICE:
The components listed on this page are manufactured by Metal Fab, Inc. and are not compatible with venting components manufactured by Heat-Fab listed in previous versions in the Tankless Parts and Accessories Catalog, or any other brand of venting. Make no attempt to use venting components manufactured by different companies on a single installation.

Parts for RUTGH-84DVLN-1, RUTGH-90DVLN-1, RUTGH-95DVLN-1 Series



Program Chips

| Fuel Type | RUTGH-84DVLN-1 | RUTGH-90DVLN-1 | RUTGH-95DVLN-1 |
|-----------|----------------|----------------|----------------|
| Natural | RTG20239AJ | RTG20239AN | RTG20239AE |
| Propane | RTG20239AK | RTG20239AP | RTG20239AF |

185°F Temperature Upgrade Kits - Commercial and Hydronic

| Fuel Type | RUTGH-84DVLN-1 | RUTGH-90DVLN-1 | RUTGH-95DVLN-1 |
|-----------|----------------|----------------|----------------|
| Natural | RTG20256A | RTG20255A | RTG20254A |
| Propane | RTG20256B | RTG20255B | RTG20254B |

Accessories

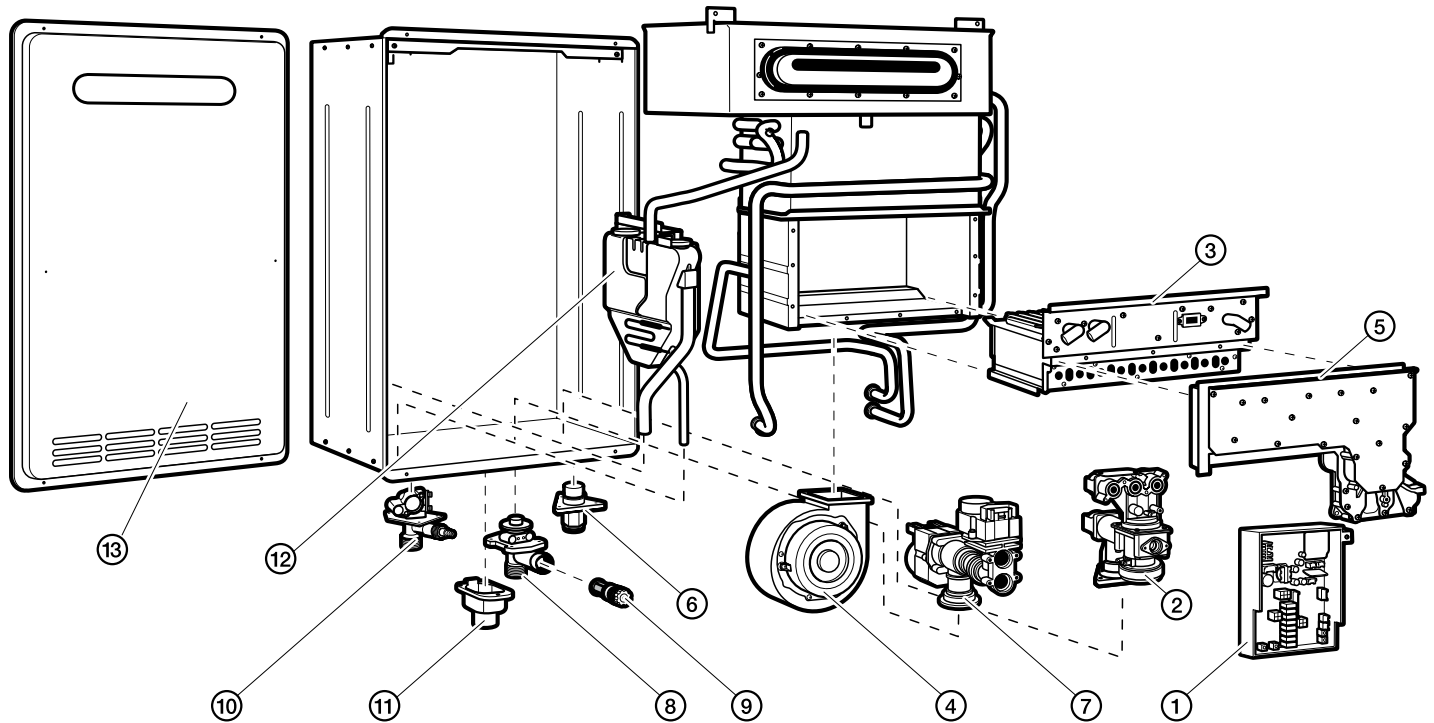
| | |
|-----------------|---|
| Venting | SP20286 (PTX-129) 3" Horizontal Termination Kit |
| | SP20285 (RXGY-G02) 2" Horizontal Termination Kit |
| | SP20245 (RXGY-E03A) 3" Concentric Horizontal/Vertical Termination Kit |
| Remote Controls | RTG20006DW UMC-117 Main Remote Control |
| | RTG20006DU USC1-117 Bath Remote Control |
| | RTG20006DV USC2-117 Second Bath Remote Control |
| Pipe Covers | RTG20227 Pipe Cover (grey) |
| Service Valves | RTG20220 Tankless Service Valve Kit with Relief Valve |
| | RTG20220AB Tankless Service Valve Kit with Relief Valve - California Code |
| Relief Valve | AP12993C Pressure Relief Valve |
| EZ-Link™ Cable | RTG20040 6-ft. EZ-Link™ Cable |

Parts for RUTGH-84DVLN-1, RUTGH-90DVLN-1, RUTGH-95DVLN-1 Series

| Ref # | Ruud Part # | Description | RUTGH-84DVLN-1 | RUTGH-90DVLN-1 | RUTGH-95DVLN-1 |
|-------|----------------------------|-------------------------------------|----------------|----------------|----------------|
| 1 | RTG20239AC | Control Board | • | • | • |
| | RTG20006AR | Inlet Thermistor - White | • | • | • |
| | RTG20212BC | Heat Exchanger Thermistor - Yellow | • | • | • |
| | RTG20006BB | Outlet Thermistor - Black | • | • | • |
| | RTG20006UW | Ambient Thermistor - Blue | • | • | • |
| | RTG20223L | Vent High Temperature Limit Switch | • | • | • |
| | RTG20239M | Thermistor Wiring Harness | • | • | • |
| 2 | RTG20239AY | Gas Control Valve | • | • | • |
| | RTG20239AD | Gas Control Wiring Harness | • | • | • |
| 3 | RTG20235AD | Burner Assembly | • | • | • |
| | RTG20235C | Igniter Coil | • | • | • |
| | RTG20212BD | Igniter Rod (IG) (with gasket) | • | • | • |
| 4 | RTG20212K | Blower Motor | • | • | • |
| | RTG20223K | Blower Case | • | • | • |
| 5 | RTG20235W | Burner Manifold - LP | • | • | • |
| 5 | RTG20239AA | Burner Manifold NAT | • | • | • |
| | RTG20212BE | Flame Rod FL-1 (with gasket) | • | • | • |
| | RTG20235AX | Flame Rod Wire (White) | • | • | • |
| | RTG20212BF | Flame Rod FL-2 (with gasket) | • | • | • |
| | RTG20223M | Flame Rod Wire (Blue) | • | • | • |
| 6 | RTG20164K | Gas Inlet Connector ¾" | • | • | • |
| 7 | RTG20164L | Water Control Valve | • | • | • |
| | RTG20235X | Bypass Assembly | • | • | • |
| 8 | RTG20164J | Water Inlet Connector ¾" | • | • | • |
| 9 | RTG20164AK | Inlet Water Filter | • | • | • |
| 10 | RTG20074CE | Hot Water Outlet Connector ¾" | • | • | • |
| 11 | RTG20164AA | Remote Control Terminal Block | • | • | • |
| | RTG20212U | Remote Control Terminal | • | • | • |
| 12 | RTG20239AX | Neutralization Replacement Kit | • | • | • |
| 13 | RTG20239Z | Front Cover - No Labels or Branding | • | • | • |
| 14 | RTG20223Y | Exhaust Vent Outlet Connector - PVC | • | • | • |
| 15 | RTG20223X | Air Intake Inlet Connector - PVC | • | • | • |
| | RTG20074EH | Gas Shutoff Valve ¾" | • | • | • |
| | RTG20186 | Replacement Screw Kit | • | • | • |
| | RTG20206 | Replacement O-Ring Kit | • | • | • |
| | RTG20235AB | Thermostat Assembly | • | • | • |

See Pages 6 - 9 for additional Accessories, Manifold Systems, and Venting Options.

Parts for RUTGH-84XLN-1, RUTGH-90XLN-1, RUTGH-95XLN-1 Series



Program Chips

| Fuel Type | RUTGH-84XLN-1 | RUTGH-90XLN-1 | RUTGH-95XLN-1 |
|-----------|---------------|---------------|---------------|
| Natural | RTG20239AL | RTG20239AR | RTG20239AG |
| Propane | RTG20239AM | RTG20239AS | RTG20239AH |

185°F Temperature Upgrade Kits - Commercial and Hydronic

| Fuel Type | RUTGH-84XLN-1 | RUTGH-90XLN-1 | RUTGH-95XLN-1 |
|-----------|---------------|---------------|---------------|
| Natural | RTG20256C | RTG20255C | RTG20254C |
| Propane | RTG20256D | RTG20255D | RTG20254D |

Accessories

Remote Controls

RTG20006DW UMC-117 Main Remote Control
 RTG20006DU USC1-117 Bath Remote Control
 RTG20006DV USC2-117 Second Bath Remote Control

Pipe Covers

RTG20227 Pipe Cover (grey)

Recess Box

RTG20226 Recess Box (grey)

Service Valves

RTG20220 Tankless Service Valve Kit with Relief Valve
 RTG20220AB Tankless Service Valve Kit with Relief Valve - California Code

Relief Valve

AP12993C Pressure Relief Valve

EZ-link™ Cable

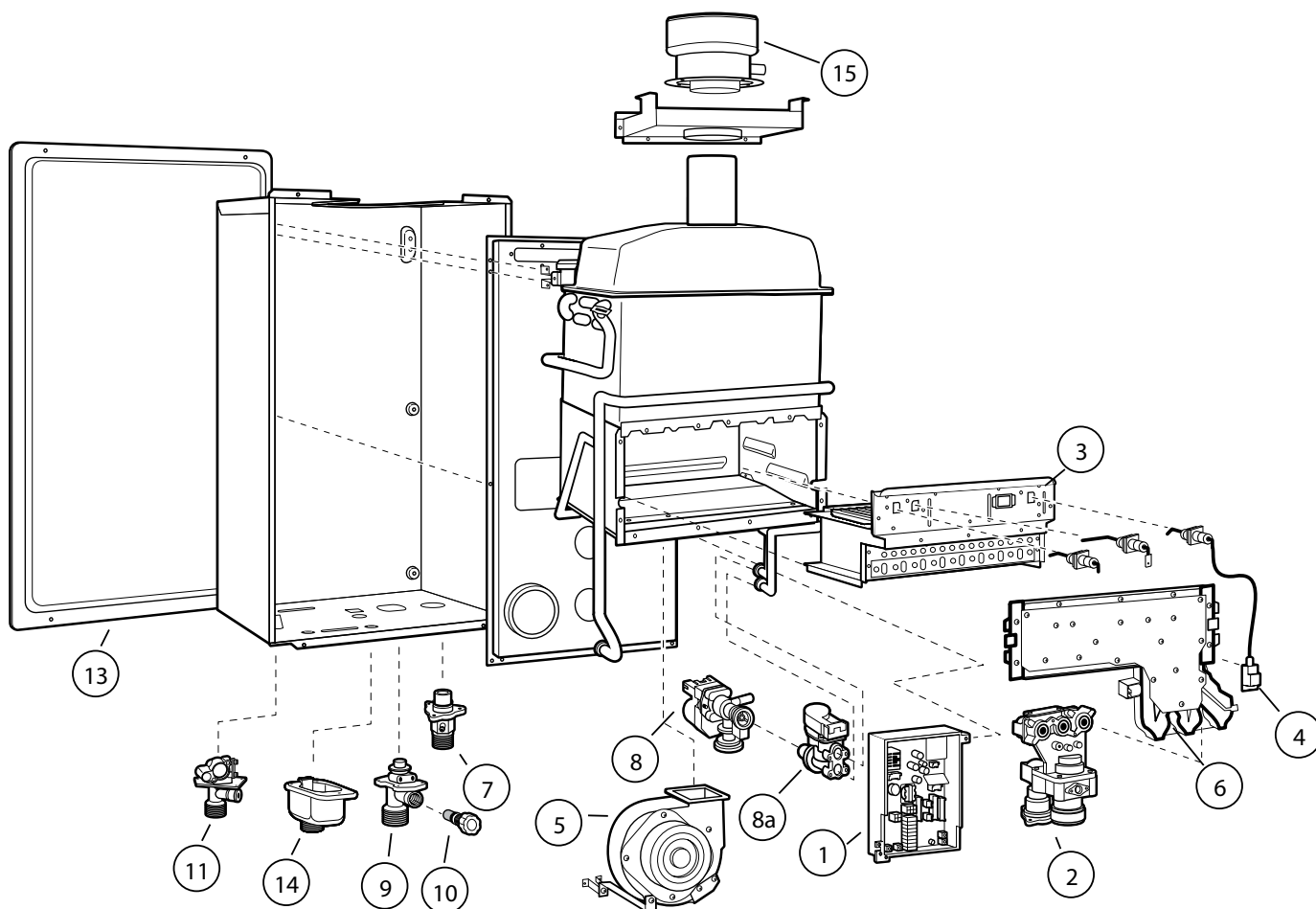
RTG20040 6-ft. EZ-Link™ Cable

Parts for RUTGH-84XLN-1, RUTGH-90XLN-1, RUTGH-95XLN-1 Series

| Ref # | Ruud Part # | Description | RUTGH-84XLN-1 | RUTGH-90XLN-1 | RUTGH-95XLN-1 |
|-------|----------------------------|-------------------------------------|---------------|---------------|---------------|
| 1 | RTG20239AC | Control Board | • | • | • |
| | RTG20006AR | Inlet Thermistor - White | • | • | • |
| | RTG20212BC | Heat Exchanger Thermistor - Yellow | • | • | • |
| | RTG20006BB | Outlet Thermistor - Black | • | • | • |
| | RTG20006UW | Ambient Thermistor - Blue | • | • | • |
| | RTG20239M | Thermistor Wiring Harness | • | • | • |
| 2 | RTG20239AY | Gas Control Valve | • | • | • |
| | RTG20239AD | Gas Control Wiring Harness | • | • | • |
| 3 | RTG20235U | Burner Assembly | • | • | • |
| | RTG20235C | Igniter Coil | • | • | • |
| | RTG20212BD | Igniter Rod (IG) (with gasket) | • | • | • |
| 4 | RTG20212AB | Blower Motor | • | • | • |
| | RTG20212AC | Blower Case | • | • | • |
| 5 | RTG20235W | Burner Manifold - LP | • | • | • |
| 5 | RTG20239A | Burner Manifold NAT | • | • | • |
| | RTG20212BE | Flame Rod FL-1 (with gasket) | • | • | • |
| | RTG20235AX | Flame Rod Wire (White) | • | • | • |
| 6 | RTG20164K | Gas Inlet Connector 3/4" | • | • | • |
| 7 | RTG20164L | Water Control Valve | • | • | • |
| | RTG20235X | Bypass Assembly | • | • | • |
| 8 | RTG20164J | Water Inlet Connector 3/4" | • | • | • |
| 9 | RTG20164AK | Inlet Water Filter | • | • | • |
| 10 | RTG20074CE | Hot Water Outlet Connector 3/4" | • | • | • |
| | RTG20006AV | Drain Plug with Relief | • | • | • |
| 11 | RTG20164AA | Remote Control Terminal Block | • | • | • |
| | RTG20212U | Remote Control Terminal | • | • | • |
| 12 | RTG20239AX | Neutralization Replacement Kit | • | • | • |
| 13 | RTG20239Y | Front Cover - No Labels or Branding | • | • | • |
| | RTG20074EH | Gas Shutoff Valve 3/4" | • | • | • |
| | RTG20186 | Replacement Screw Kit | • | • | • |
| | RTG20206 | Replacement O-Ring Kit | • | • | • |
| | RTG20235AB | Thermostat Assembly | • | • | • |

See Pages 6 - 9 for additional Accessories, Manifold Systems, and Venting Options.

Parts for RUTG-64DVLN-1, RUTG-84DVLN-1, RUTG-95DVLN-1 Series



Program Chips

| Fuel Type | RUTG-64DVLN-1 | RUTG-84DVLN-1 | RUTG-95DVLN-1 |
|-----------|---------------|---------------|---------------|
| Natural | RTG20235AN | RTG20235AJ | RTG20235AE |
| Propane | RTG20235AP | RTG20235AK | RTG20235AF |

185°F Temperature Upgrade Kits - Commercial and Hydronic

| Fuel Type | RUTG-64DVLN-1 | RUTG-84DVLN-1 | RUTG-95DVLN-1 |
|-----------|---------------|---------------|---------------|
| Natural | - | RTG20250A | RTG20249A |
| Propane | - | RTG20250B | RTG20249B |

Accessories

Remote Controls

RTG20006DW UMC-117 Main Remote Control
 RTG20006DU USC1-117 Bath Remote Control
 RTG20006DV USC2-117 Second Bath Remote Control

Pipe Covers

RTG20217DVG Pipe Cover (grey)

Service Valves

RTG20220 Tankless Service Valve Kit with Relief Valve
 RTG20220AB Tankless Service Valve Kit with Relief Valve - California Code

Relief Valve

AP12993C Pressure Relief Valve

EZ-Link™ Cable

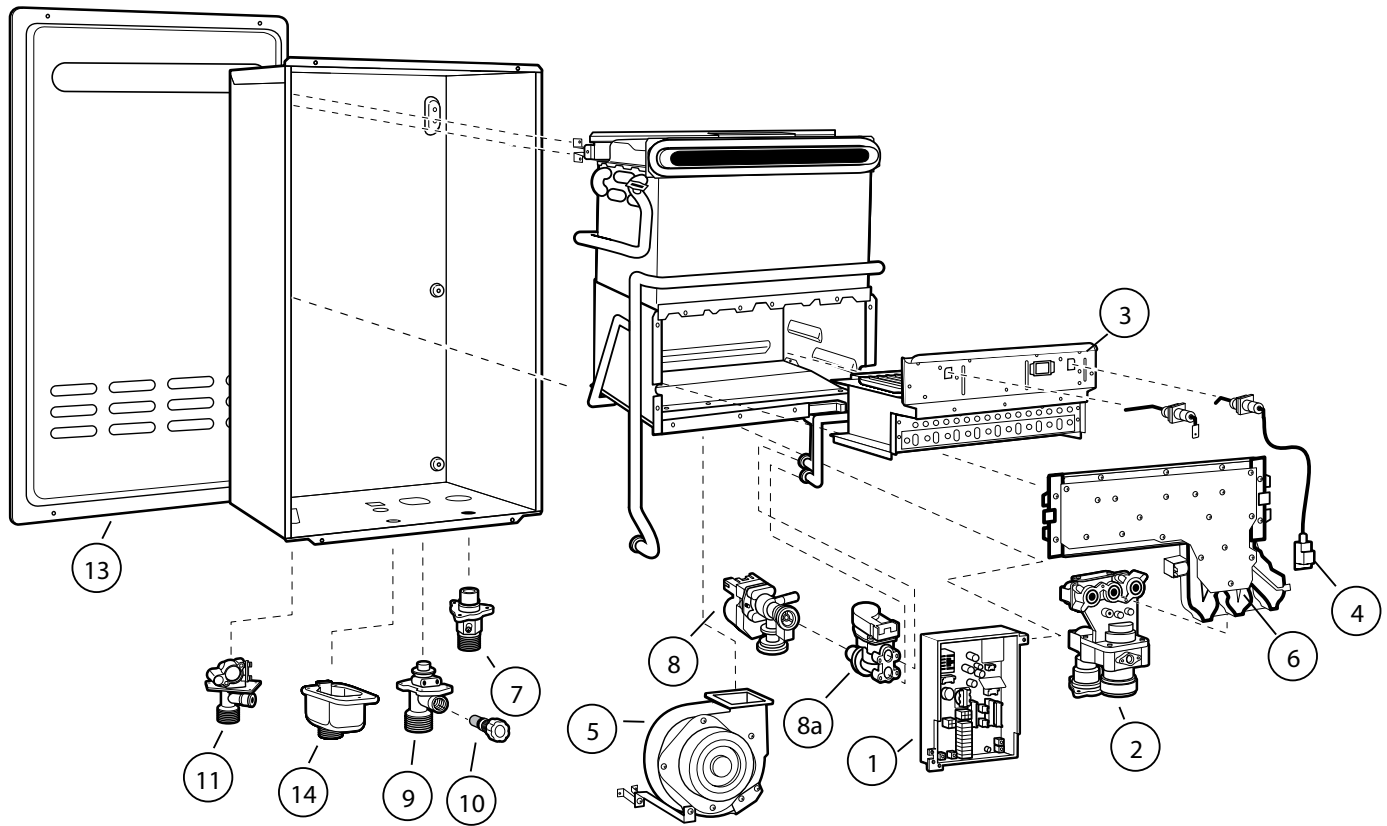
RTG20040 6-ft. EZ-Link™ Cable

Parts for RUTG-64DVLN-1, RUTG-84DVLN-1, RUTG-95DVLN-1 Series

| Ref # | Ruud Part # | Description | RUTG-64DVLN-1 | RUTG-84DVLN-1 | RUTG-95DVLN-1 |
|-------|----------------------------|-------------------------------------|---------------|---------------|---------------|
| 1 | RTG20235Y | Control Board | • | • | • |
| | RTG20006UW | Ambient Thermistor - Blue | • | • | • |
| | RTG20212BC | Heat Exchanger Thermistor - Yellow | • | • | • |
| | RTG20006AR | Inlet Thermistor - White | • | • | • |
| | RTG20006BB | Outlet Thermistor - Black | • | • | • |
| | RTG20239M | Thermistor Wiring Harness | • | • | • |
| 2 | RTG20235AC | Gas Valve Assy | • | • | • |
| 3 | RTG20235AD | Burner Assembly | • | • | • |
| 6 | RTG20235V | Burner Manifold - NAT | • | • | • |
| 6 | RTG20235W | Burner Manifold - LP | • | • | • |
| | RTG20212BE | Flame Rod "FL1" (Right) w/gasket | • | • | • |
| | RTG20212J | Gas Control Resistor | • | • | • |
| | RTG20212BF | Flame Rod "Sensor" (Left) w/gasket | • | • | • |
| | RTG20212N | Flame Rod Wire (Blue) | • | • | • |
| | RTG20235AX | Flame Rod Wire (White) | • | • | • |
| 4 | RTG20235C | Igniter Coil | • | • | • |
| | RTG20212BD | Igniter Rod (Right) w/gasket | • | • | • |
| 5 | RTG20212K | Blower Motor | • | • | • |
| | RTG20212L | Blower Case | • | • | • |
| 7 | RTG20164K | Gas Inlet Connector 3/4" | • | • | • |
| 8 | RTG20164L | Water Control Valve | • | • | • |
| 8a | RTG20235X | Water Bypass Valve | • | • | • |
| 9 | RTG20164J | Water Inlet Connector 3/4" | • | • | • |
| 11 | RTG20074CE | Hot Water Outlet Connector 3/4" | • | • | • |
| 14 | RTG20212U | Remote Control Terminal | • | • | • |
| | RTG20164AA | Remote Control Terminal Block | • | • | • |
| | RTG20006AV | Drain Plug with Relief | • | • | • |
| | RTG20212A | Top Mounting Bracket | • | • | • |
| | RTG20212B | Bottom Mounting Bracket | • | • | • |
| | RTG20164AB | Screw Pan FT 4X12 | • | • | • |
| 10 | RTG20164AK | Inlet Water Filter | • | • | • |
| 13 | RTG20235AU | Front Cover - No Labels or Branding | • | • | • |
| 15 | RTG20212BB | Concentric Vent Connector Assembly | • | • | • |
| | RTG20074EH | Gas Shutoff Valve 3/4" | • | • | • |
| | RTG20186 | Replacement Screw Kit | • | • | • |
| | RTG20206 | Replacement O-Ring Kit | • | • | • |
| | RTG20235AB | Thermostat Assembly | • | • | • |

See Pages 6 - 9 for additional Accessories, Manifold Systems, and Venting Options.

Parts for RUTG-64XLN-1, RUTG-84XLN-1, RUTG-95XLN-1 Series



Program Chips

| Fuel Type | RUTG-64XLN-1 | RUTG-84XLN-1 | RUTG-95XLN-1 |
|-----------|--------------|--------------|--------------|
| Natural | RTG20235AR | RTG20235AL | RTG20235AG |
| Propane | RTG20235AS | RTG20235AM | RTG20235AH |

185°F Temperature Upgrade Kits - Commercial and Hydronic

| Fuel Type | RUTG-64XLN-1 | RUTG-84XLN-1 | RUTG-95XLN-1 |
|-----------|--------------|--------------|--------------|
| Natural | - | RTG20250C | RTG20249C |
| Propane | - | RTG20250D | RTG20249D |

Accessories

Remote Controls

RTG20006DW UMC-117 Main Remote Control
 RTG20006DU USC1-117 Bath Remote Control
 RTG20006DV USC2-117 Second Bath Remote Control

Pipe Covers

RTG20217XG Pipe Cover (grey)

Recess Box

RTG20218 Recess Box (grey)

Service Valves

RTG20220 Tankless Service Valve Kit with Relief Valve
 RTG20220AB Tankless Service Valve Kit with Relief Valve - California Code

Relief Valve

AP12993C Pressure Relief Valve

EZ-Link™ Cable

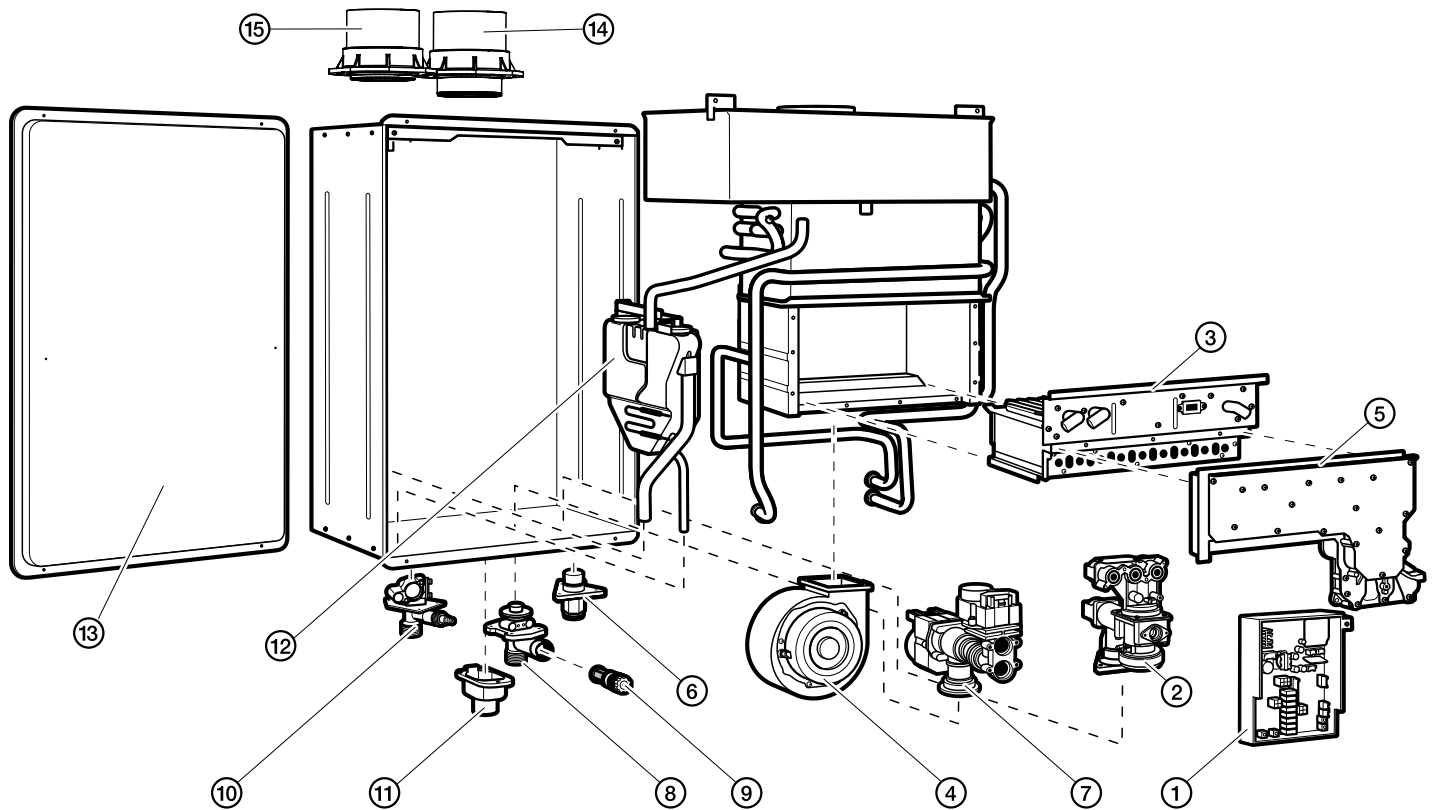
RTG20040 6-ft. EZ-Link™ Cable

Parts for RUTG-64XLN-1, RUTG-84XLN-1, RUTG-95XLN-1 Series

| Ref # | Ruud Part # | Description | RUTG-64XLN-1 | RUTG-84XLN-1 | RUTG-95XLN-1 |
|-------|----------------------------|-------------------------------------|--------------|--------------|--------------|
| 1 | RTG20235Y | Control Board | • | • | • |
| | RTG20212BC | Heat Exchanger Thermistor - Yellow | • | • | • |
| | RTG20006BB | Outlet Thermistor - Black | • | • | • |
| | RTG20006AR | Inlet Thermistor - White | • | • | • |
| | RTG20006UW | Ambient Thermistor - Blue | • | • | • |
| | RTG20239M | Thermistor Wiring Harness | • | • | • |
| 2 | RTG20235T | Gas Valve Assy | • | • | • |
| | RTG20212J | Gas Control Resister | • | • | • |
| 3 | RTG20235U | Burner Assembly | • | • | • |
| | RTG20212BE | Flame Rod "FL" (Right) w/gasket | • | • | • |
| | RTG20212BD | Igniter Rod (Right) w/gasket | • | • | • |
| | RTG20235AX | Flame Rod Connector (White) | • | • | • |
| 4 | RTG20235C | Igniter Coil | • | • | • |
| 5 | RTG20212AB | Blower Motor | • | • | • |
| | RTG20212AC | Blower Case | • | • | • |
| 6 | RTG20235V | Burner Manifold - NAT | • | • | • |
| 6 | RTG20235W | Burner Manifold - LP | • | • | • |
| 7 | RTG20164K | Gas Inlet Connector 3/4" | • | • | • |
| 8 | RTG20164L | Water Control Valve | • | • | • |
| 8a | RTG20235X | Water Bypass Valve | • | • | • |
| 9 | RTG20164J | Water Inlet Connector 3/4" | • | • | • |
| | RTG20006AV | Drain Plug with Relief | • | • | • |
| 11 | RTG20074CE | Hot Water Outlet Connector 3/4" | • | • | • |
| | RTG20164AA | Remote Control Terminal Block | • | • | • |
| | RTG20164AB | Screw Pan FT 4X12 | • | • | • |
| 10 | RTG20164AK | Inlet Water Filter | • | • | • |
| 13 | RTG20235AT | Front Cover - No Labels or Branding | • | • | • |
| | RTG20074EH | Gas Shutoff Valve 3/4" | • | • | • |
| | RTG20186 | Replacement Screw Kit | • | • | • |
| | RTG20206 | Replacement O-Ring Kit | • | • | • |
| | RTG20235AB | Thermostat Assembly | • | • | • |

See Pages 6 - 9 for additional Accessories, Manifold Systems, and Venting Options.

Parts for RUTGH-84, RUTGH-90, RUTGH-95 DV and DVL Series



Program Chips

| Fuel Type | RUTGH-84DV | RUTGH-95DV | RUTGH-84DVL | RUTGH-90DVL | RUTGH-95DVL |
|-----------|------------|------------|-------------|-------------|-------------|
| Natural | RTG20228T | RTG20228N | RTG20239G | RTG20239P | RTG20239C |
| Propane | RTG20228U | RTG20228P | RTG20239H | RTG20239R | RTG20239D |

185°F Temp. Upgrade Kits - Commercial and Hydronic

| Fuel Type | RUTGH-84DV | RUTGH-95DV | RUTGH-84DVL | RUTGH-90DVL | RUTGH-95DVL |
|-----------|------------|------------|-------------|-------------|---------------------------|
| Natural | RTG20225A | RTG20224A | RTG20241A | RTG20244A | RTG20240A |
| Propane | RTG20225B | RTG20224B | RTG20241B | RTG20244B | RTG20240B |

Accessories

| | |
|-----------------|---|
| Venting | SP20286 (RXGY-G01) 3" Horizontal Termination Kit |
| | SP20285 (RXGY-G02) 2" Horizontal Termination Kit |
| | SP20245 (RXGY-E03A) 3" Concentric Horizontal/Vertical Termination Kit |
| Remote Controls | RTG20006DW UMC-117 Main Remote Control |
| | RTG20006DU USC1-117 Bath Remote Control |
| | RTG20006DV USC2-117 Second Bath Remote Control |
| Pipe Covers | RTG20227 Pipe Cover (grey) |
| Service Valves | RTG20220 Tankless Service Valve Kit with Relief Valve |
| | RTG20220AB Tankless Service Valve Kit with Relief Valve - California Code |
| Relief Valve | AP12993C Pressure Relief Valve |
| EZ-Link™ Cable | RTG20040 6-ft. EZ-Link™ Cable |

Parts for RUTGH-84, RUTGH-90, RUTGH-95 DV and DVL Series

| Ref # | Ruud Part # | Description | RUTGH-84DV | RUTGH-95DV | RUTGH-84DVL | RUTGH-90DVL | RUTGH-95DVL |
|-------|----------------------------|-------------------------------------|------------|------------|-------------|-------------|-------------|
| 1 | RTG20223P | Control Board | • | • | | | |
| 1 | RTG20239B | Control Board | | | • | • | • |
| | RTG20223D | Inlet Thermistor - White | • | • | | | |
| | RTG20006AR | Inlet Thermistor - White | | | • | • | • |
| | RTG20223G | Heat Exchanger Thermistor - Green | • | • | | | |
| | RTG20212BC | Heat Exchanger Thermistor - Yellow | | | • | • | • |
| | RTG20223H | Outlet Thermistor - Black | • | • | | | |
| | RTG20006BB | Outlet Thermistor - Black | | | • | • | • |
| | RTG20223J | Ambient Thermistor - Blue | • | • | | | |
| | RTG20006UW | Ambient Thermistor - Blue | | | • | • | • |
| | RTG20223L | Vent High Temperature Limit Switch | • | • | • | • | • |
| | RTG20223W | Thermistor Wiring Harness | • | • | | | |
| | RTG20239M | Thermistor Wiring Harness | | | • | • | • |
| 2 | RTG20212V | Gas Control Valve | • | • | • | • | • |
| | RTG20223V | Gas Control Wiring Harness | • | • | | | |
| | RTG20239L | Gas Control Wiring Harness | | | • | • | • |
| 3 | RTG20212D | Burner Assembly | • | • | • | • | • |
| | RTG20235C | Igniter Coil | • | • | • | • | • |
| | RTG20212BD | Igniter Rod (IG) (with gasket) | • | • | • | • | • |
| 4 | RTG20212K | Blower Motor | • | • | • | • | • |
| | RTG20223K | Blower Case | • | • | • | • | • |
| 5 | RTG20212F | Burner Manifold LP | • | • | | | |
| 5 | RTG20235B | Burner Manifold - LP | | | • | • | • |
| 5 | RTG20212X | Burner Manifold NAT | • | • | | | |
| 5 | RTG20239A | Burner Manifold NAT | | | • | • | • |
| | RTG20212BE | Flame Rod FL-1 (with gasket) | • | • | • | • | • |
| | RTG20212P | Flame Rod Wire (White) | • | • | • | • | • |
| | RTG20212BF | Flame Rod FL-2 (with gasket) | • | • | • | • | • |
| | RTG20223M | Flame Rod Wire (Blue) | • | • | • | • | • |
| 6 | RTG20164K | Gas Inlet Connector 3/4" | • | • | • | • | • |
| 7 | RTG20223E | Water Control Valve | • | • | | | |
| | RTG20164L | Water Control Valve | | | • | • | • |
| | RTG20164M | Bypass Assembly | • | • | • | • | • |
| 8 | RTG20164J | Water Inlet Connector 3/4" | • | • | • | • | • |
| 9 | RTG20164AK | Inlet Water Filter | • | • | • | • | • |
| 10 | RTG20074CE | Hot Water Outlet Connector 3/4" | • | • | • | • | • |
| 11 | RTG20164AA | Remote Control Terminal Block | • | • | • | • | • |
| | RTG20212U | Remote Control Terminal | • | • | • | • | • |
| 12 | RTG20223F | Neutralization Replacement Kit | • | • | | | |
| | RTG20239N | Neutralization Replacement Kit | | | • | • | • |
| 13 | RTG20223B | Front Cover - No Labels or Branding | • | • | • | • | • |
| 14 | RTG20223Y | Exhaust Vent Outlet Connector - PVC | • | • | • | • | • |
| 15 | RTG20223X | Air Intake Inlet Connector - PVC | • | • | • | • | • |
| | RTG20074EH | Gas Shutoff Valve 3/4" | • | • | • | • | • |
| | RTG20186 | Replacement Screw Kit | • | • | • | • | • |
| | RTG20206 | Replacement O-Ring Kit | • | • | • | • | • |

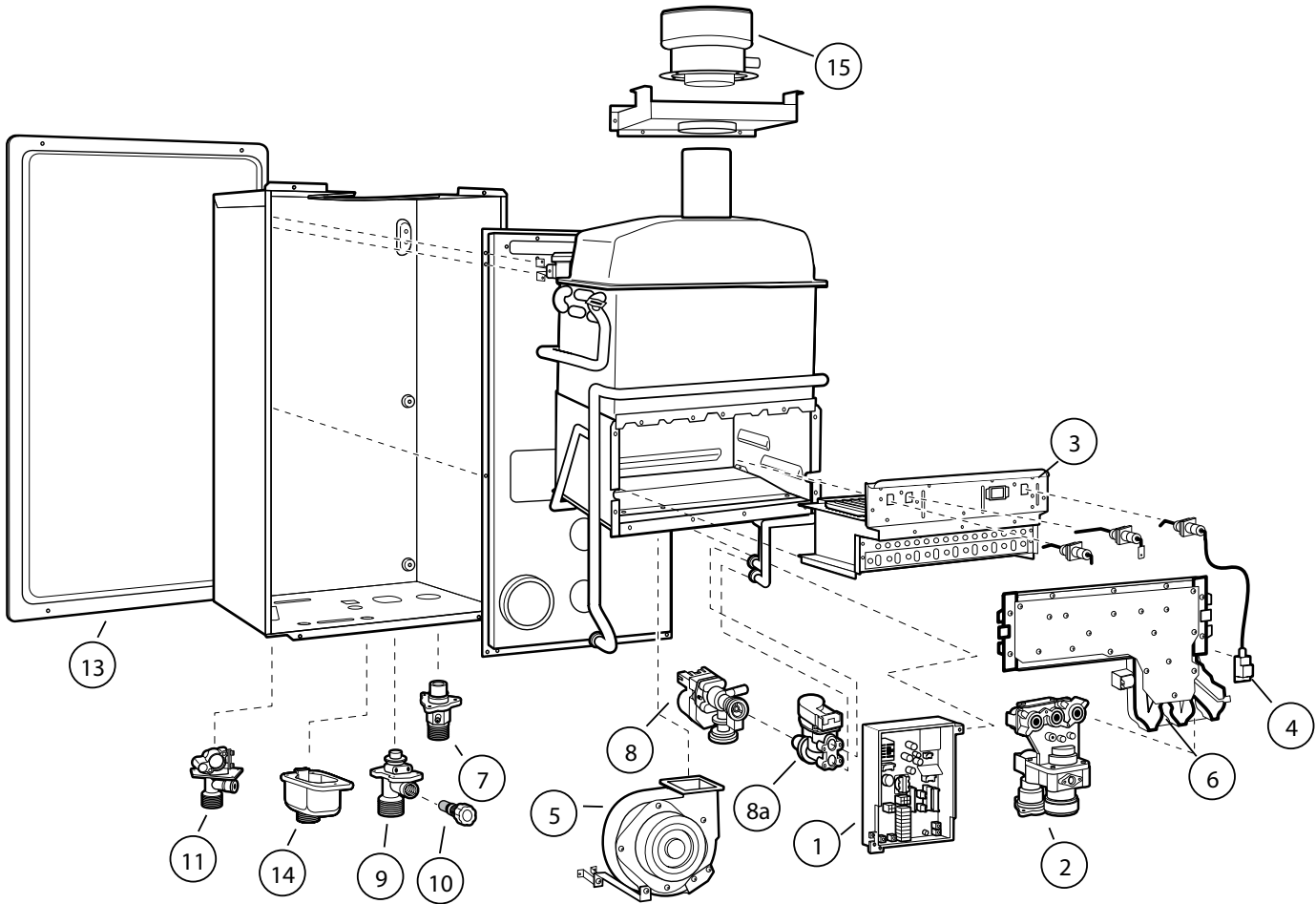
See Pages 6 - 9 for additional Accessories, Manifold Systems, and Venting Options.

Parts for RUTGH-84, RUTGH-90, RUTGH-95 X and XL Series

| Ref # | Ruud Part # | Description | RUTGH-84X | RUTGH-95X | RUTGH-84XL | RUTGH-90XL | RUTGH-95XL |
|-------|----------------------------|-------------------------------------|-----------|-----------|------------|------------|------------|
| 1 | RTG20223P | Control Board | • | • | | | |
| | RTG20239B | Control Board | | | • | • | • |
| | RTG20223D | Inlet Thermistor - White | • | • | | | |
| | RTG20006AR | Inlet Thermistor - White | | | • | • | • |
| | RTG20223G | Heat Exchanger Thermistor - Green | • | • | | | |
| | RTG20212BC | Heat Exchanger Thermistor - Yellow | | | • | • | • |
| | RTG20223H | Outlet Thermistor - Black | • | • | | | |
| | RTG20006BB | Outlet Thermistor - Black | | | • | • | • |
| | RTG20223J | Ambient Thermistor - Blue | • | • | | | |
| | RTG20006UW | Ambient Thermistor - Blue | | | • | • | • |
| | RTG20223W | Thermistor Wiring Harness | • | • | | | |
| | RTG20239M | Thermistor Wiring Harness | | | • | • | • |
| 2 | RTG20212V | Gas Control Valve | • | • | • | • | • |
| | RTG20223V | Gas Control Wiring Harness | • | • | | | |
| | RTG20239L | Gas Control Wiring Harness | | | • | • | • |
| 3 | RTG20212W | Burner Assembly | • | • | • | • | • |
| | RTG20235C | Igniter Coil | • | • | • | • | • |
| | RTG20212BD | Igniter Rod (IG) (with gasket) | • | • | • | • | • |
| 4 | RTG20212AB | Blower Motor | • | • | • | • | • |
| | RTG20212AC | Blower Case | • | • | • | • | • |
| 5 | RTG20212F | Burner Manifold LP | • | • | | | |
| 5 | RTG20235B | Burner Manifold - LP | | | • | • | • |
| 5 | RTG20212X | Burner Manifold NAT | • | • | | | |
| 5 | RTG20239A | Burner Manifold NAT | | | • | • | • |
| | RTG20212BE | Flame Rod FL-1 (with gasket) | • | • | • | • | • |
| | RTG20212P | Flame Rod Wire (White) | • | • | • | • | • |
| 6 | RTG20164K | Gas Inlet Connector ¾" | • | • | • | • | • |
| 7 | RTG20223E | Water Control Valve | • | • | | | |
| | RTG20164L | Water Control Valve | | | • | • | • |
| | RTG20164M | Bypass Assembly | • | • | • | • | • |
| 8 | RTG20164J | Water Inlet Connector ¾" | • | • | • | • | • |
| 9 | RTG20164AK | Inlet Water Filter | • | • | • | • | • |
| 10 | RTG20074CE | Hot Water Outlet Connector ¾" | • | • | • | • | • |
| | RTG20006AV | Drain Plug with Relief | • | • | • | • | • |
| 11 | RTG20164AA | Remote Control Terminal Block | • | • | • | • | • |
| | RTG20212U | Remote Control Terminal | • | • | • | • | • |
| 12 | RTG20223F | Neutralization Replacement Kit | • | • | | | |
| | RTG20239N | Neutralization Replacement Kit | | | • | • | • |
| 13 | RTG20223A | Front Cover - No Labels or Branding | • | • | • | • | • |
| | RTG20074EH | Gas Shutoff Valve ¾" | • | • | • | • | • |
| | RTG20186 | Replacement Screw Kit | • | • | • | • | • |
| | RTG20206 | Replacement O-Ring Kit | • | • | • | • | • |

See Pages 6 - 9 for additional Accessories, Manifold Systems, and Venting Options.

Parts for RUTG-64, RUTG-84, RUTG-95, DV and DVL Series



Program Chips

| Fuel Type | RUTG-64DV | RUTG-84DV | RUTG-95DV | RUTG-64DVL | RUTG-84DVL | RUTG-95DVL |
|-----------|------------|------------|-----------|------------|------------|------------|
| Natural | RTG20212AV | RTG20212AL | RTG20212S | RTG20235N | RTG20235J | RTG20235E |
| Propane | RTG20212AW | RTG20212AM | RTG20212T | RTG20235P | RTG20235K | RTG20235F |

185°F Temp. Upgrade Kits - Commercial and Hydronic

| Fuel Type | RUTG-64DV | RUTG-84DV | RUTG-95DV | RUTG-64DVL | RUTG-84DVL | RUTG-95DVL |
|-----------|-----------|-----------|-----------|------------|------------|------------|
| Natural | — | RTG20216A | RTG20214A | — | RTG20237A | RTG20236A |
| Propane | — | RTG20216B | RTG20214B | — | RTG20237B | RTG20236B |

Accessories

Remote Controls

RTG20006DW UMC-117 Main Remote Control
 RTG20006DU USC1-117 Bath Remote Control
 RTG20006DV USC2-117 Second Bath Remote Control

Pipe Covers

RTG20217DVG Pipe Cover (grey)

Service Valves

RTG20220 Tankless Service Valve Kit with Relief Valve
 RTG20220AB Tankless Service Valve Kit with Relief Valve - California Code

Relief Valve

AP12993C Pressure Relief Valve

EZ-Link™ Cable

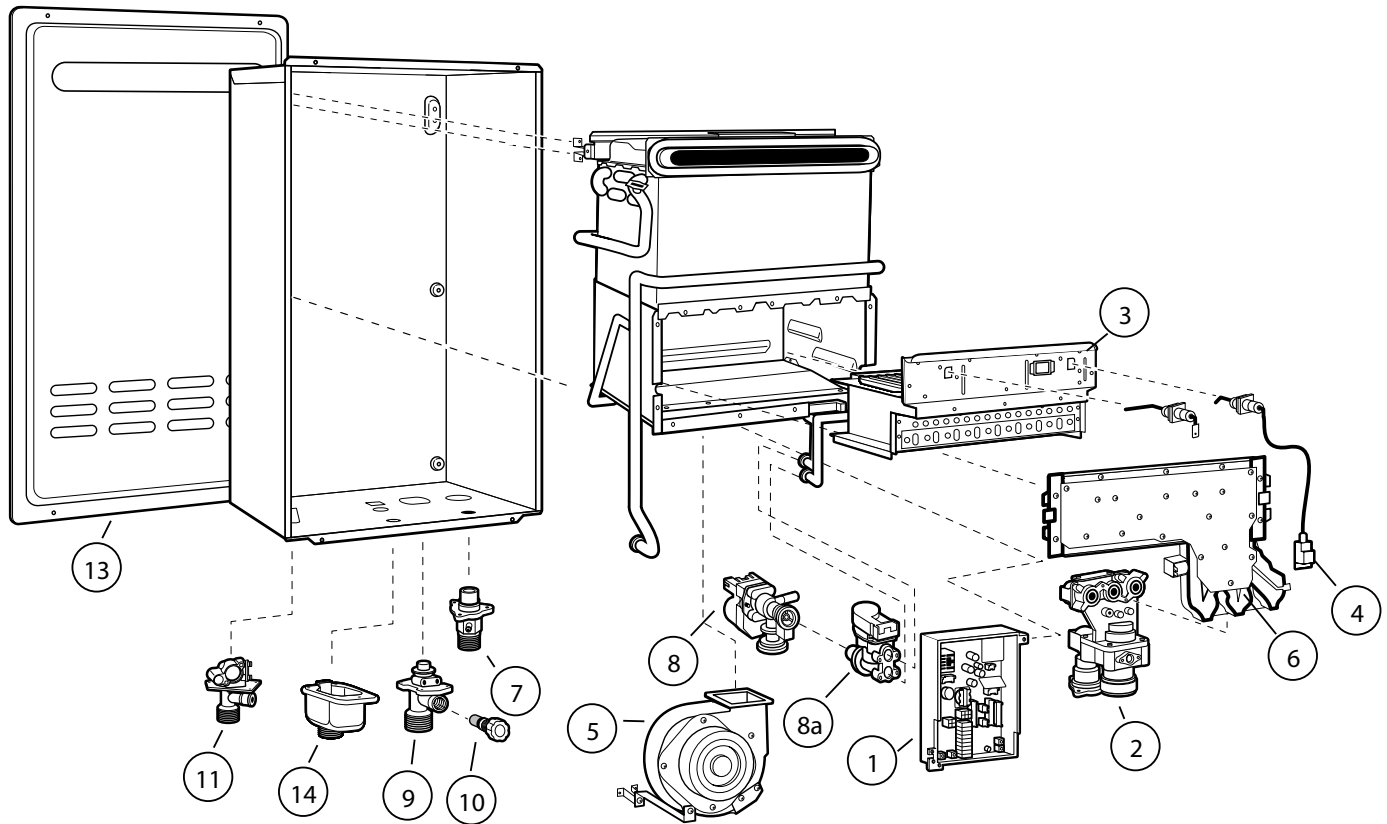
RTG20040 6-ft. EZ-Link™ Cable

Parts for RUTG-64, RUTG-84, RUTG-95, DV and DVL Series

| Ref # | Ruud Part # | Description | RUTG-64DV | RUTG-84DV | RUTG-95DV | RUTG-64DVL | RUTG-84DVL | RUTG-95DVL |
|-------|----------------------------|-------------------------------------|-----------|-----------|-----------|------------|------------|------------|
| 1 | RTG20212R | Control Board | • | • | • | | | |
| | RTG20235D | Control Board | | | | • | • | • |
| | RTG20164R | Ambient Thermistor - Blue | • | • | • | | | |
| | RTG20006UW | Ambient Thermistor - Blue | | | | • | • | • |
| | RTG20212BC | Heat Exchanger Thermistor - Yellow | • | • | • | • | • | • |
| | RTG20006AR | Inlet Thermistor - White | • | • | • | • | • | • |
| | RTG20006BB | Outlet Thermistor - Black | • | • | • | • | • | • |
| | RTG20239M | Thermistor Wiring Harness | • | • | • | • | • | • |
| 2 | RTG20212C | Gas Valve Assy | • | • | • | • | • | • |
| 3 | RTG20212D | Burner Assembly | • | • | • | • | • | • |
| 6 | RTG20212E | Burner Manifold - NAT | • | • | • | | | |
| | RTG20235A | Burner Manifold - NAT | | | | • | • | • |
| 6 | RTG20212F | Burner Manifold - LP | • | • | • | | | |
| | RTG20235B | Burner Manifold - LP | | | | • | • | • |
| | RTG20212BE | Flame Rod "FL1" (Right) w/gasket | • | • | • | • | • | • |
| | RTG20212J | Gas Control Resistor | • | • | • | • | • | • |
| | RTG20212BF | Flame Rod "Sensor" (Left) w/gasket | • | • | • | • | • | • |
| | RTG20212N | Flame Rod Wire (Blue) | • | • | • | • | • | • |
| | RTG20212P | Flame Rod Wire (White) | • | • | • | • | • | • |
| 4 | RTG20235C | Igniter Coil | • | • | • | • | • | • |
| | RTG20212BD | Igniter Rod (Right) w/gasket | • | • | • | • | • | • |
| 5 | RTG20212K | Blower Motor | • | • | • | • | • | • |
| | RTG20212L | Blower Case | • | • | • | • | • | • |
| 7 | RTG20164K | Gas Inlet Connector 3/4" | • | • | • | • | • | • |
| 8 | RTG20164L | Water Control Valve | • | • | • | • | • | • |
| 8a | RTG20164M | Water Bypass Valve | • | • | • | • | • | • |
| 9 | RTG20164J | Water Inlet Connector 3/4" | • | • | • | • | • | • |
| 11 | RTG20074CE | Hot Water Outlet Connector 3/4" | • | • | • | • | • | • |
| 14 | RTG20212U | Remote Control Terminal | • | • | • | • | • | • |
| | RTG20164AA | Remote Control Terminal Block | • | • | • | • | • | • |
| | RTG20006AV | Drain Plug with Relief | • | • | • | • | • | • |
| | RTG20212A | Top Mounting Bracket | • | • | • | • | • | • |
| | RTG20212B | Bottom Mounting Bracket | • | • | • | • | • | • |
| | RTG20164AB | Screw Pan FT 4X12 | • | • | • | • | • | • |
| 10 | RTG20164AK | Inlet Water Filter | • | • | • | • | • | • |
| 13 | RTG20212BA | Front Cover - No Labels or Branding | • | • | • | • | • | • |
| 15 | RTG20212BB | Concentric Vent Connector Assembly | • | • | • | • | • | • |
| | RTG20074EH | Gas Shutoff Valve 3/4" | • | • | • | • | • | • |
| | RTG20186 | Replacement Screw Kit | • | • | • | • | • | • |
| | RTG20206 | Replacement O-Ring Kit | • | • | • | • | • | • |

See Pages 6 - 9 for additional Accessories, Manifold Systems, and Venting Options.

Parts for RUTG-64, RUTG-84, RUTG-95, X and XL Series



Program Chips

| Fuel Type | RUTG-64X | RUTG-84X | RUTG-95X | RUTG-64XL | RUTG-84XL | RUTG-95XL |
|-----------|------------|------------|------------|-----------|-----------|-----------|
| Natural | RTG20212AE | RTG20212AN | RTG20212AX | RTG20235R | RTG20235L | RTG20235G |
| Propane | RTG20212AH | RTG20212AP | RTG20212AY | RTG20235S | RTG20235M | RTG20235H |

185°F Temp. Upgrade Kits - Commercial and Hydronic

| Fuel Type | RUTG-64X | RUTG-84X | RUTG-95X | RUTG-64XL | RUTG-84XL | RUTG-95XL |
|-----------|----------|-----------|-----------|-----------|-----------|-----------|
| Natural | — | RTG20216C | RTG20214C | — | RTG20237C | RTG20236C |
| Propane | — | RTG20216D | RTG20214D | — | RTG20237D | RTG20236D |

Accessories

| | |
|-----------------|---|
| Remote Controls | RTG20006DW UMC-117 Main Remote Control RTG20006DU USC1-117 Bath Remote Control RTG20006DV USC2-117 Second Bath Remote Control |
| Pipe Covers | RTG20217XG Pipe Cover (grey) |
| Recess Box | RTG20218 Recess Box (grey) |
| Service Valves | RTG20220 Tankless Service Valve Kit with Relief Valve RTG20220AB Tankless Service Valve Kit with Relief Valve - California Code |
| Relief Valve | AP12993C Pressure Relief Valve |
| EZ-Link™ Cable | RTG20040 6-ft. EZ-Link™ Cable |

Parts for RUTG-64, RUTG-84, RUTG-95, X and XL Series

| Ref # | Ruud Part # | Description | RUTG-64X | RUTG-84X | RUTG-95X | RUTG-64XL | RUTG-84XL | RUTG-95XL |
|-------|----------------------------|-------------------------------------|----------|----------|----------|-----------|-----------|-----------|
| 1 | RTG20212AD | Control Board | • | • | • | | | |
| | RTG20235D | Control Board | | | | • | • | • |
| | RTG20212BC | Heat Exchanger Thermistor - Yellow | • | • | • | • | • | • |
| | RTG20006BB | Outlet Thermistor - Black | • | • | • | • | • | • |
| | RTG20006AR | Inlet Thermistor - White | • | • | • | • | • | • |
| | RTG20006UW | Ambient Thermistor - Blue | • | • | • | • | • | • |
| | RTG20239M | Thermistor Wiring Harness | • | • | • | • | • | • |
| 2 | RTG20212V | Gas Valve Assy | • | • | • | • | • | • |
| | RTG20212J | Gas Control Resister | • | • | • | • | • | • |
| 3 | RTG20212W | Burner Assembly | • | • | • | • | • | • |
| | RTG20212G | Flame Rod "FL" (Right) | • | • | • | • | • | • |
| | RTG20212BE | Flame Rod "FL" (Right) w/gasket | • | • | • | • | • | • |
| | RTG20212M | Igniter Rod (Right) | • | • | • | • | • | • |
| | RTG20212BD | Igniter Rod (Right) w/gasket | • | • | • | • | • | • |
| | RTG20212P | Flame Rod Connector (White) | • | • | • | • | • | • |
| 4 | RTG20235C | Igniter Coil | • | • | • | • | • | • |
| 5 | RTG20212AB | Blower Motor | • | • | • | • | • | • |
| | RTG20212AC | Blower Case | • | • | • | • | • | • |
| 6 | RTG20212X | Burner Manifold - NAT | • | • | • | | | |
| | RTG20235A | Burner Manifold - NAT | | | | • | • | • |
| | RTG20212F | Burner Manifold - LP | • | • | • | | | |
| | RTG20235B | Burner Manifold - LP | | | | • | • | • |
| 7 | RTG20164K | Gas Inlet Connector 3/4" | • | • | • | • | • | • |
| 8 | RTG20164L | Water Control Valve | • | • | • | • | • | • |
| 8a | RTG20164M | Water Bypass Valve | • | • | • | • | • | • |
| 9 | RTG20164J | Water Inlet Connector 3/4" | • | • | • | • | • | • |
| | RTG20006AV | Drain Plug with Relief | • | • | • | • | • | • |
| 11 | RTG20074CE | Hot Water Outlet Connector 3/4" | • | • | • | • | • | • |
| | RTG20212U | Remote Control Terminal | • | • | • | | | |
| | RTG20164AA | Remote Control Terminal Block | • | • | • | • | • | • |
| | RTG20164AB | Screw Pan FT 4X12 | • | • | • | • | • | • |
| 10 | RTG20164AK | Inlet Water Filter | • | • | • | • | • | • |
| 13 | RTG20212AZ | Front Cover - No Labels or Branding | • | • | • | • | • | • |
| | RTG20074EH | Gas Shutoff Valve 3/4" | • | • | • | • | • | • |
| | RTG20186 | Replacement Screw Kit | • | • | • | • | • | • |
| | RTG20206 | Replacement O-Ring Kit | • | • | • | • | • | • |

See Pages 6 - 9 for additional Accessories, Manifold Systems, and Venting Options.



Why Ruud?

Over the last 100 years, we've made a habit of delivering reliable water heating products. No matter how advanced our engineering has become, we'll always "make them like we used to." With Ruud, you get a history of doing things right and our word that you can **Rely on Ruud.**[™]

In keeping with its policy of continuous progress and product improvement, Ruud reserves the right to make changes without notice.

Ruud Replacement Parts • 4744 Island Ford Road
Randleman, NC 27317 • 336.495.6800 • 336.495.6897 fax
www.Ruudparts.com

Technical Support 800.432.8373
Customer Service 800.621.5622

Ruud Water Heating • 101 Bell Road
Montgomery, Alabama 36117-4305 • www.Ruud.com

Printed in U.S.A. 09/16 WP TKRPP-101 Rev. 6

RELY ON RUUD.[™]