

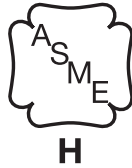
INSTALLATION AND OPERATION MANUAL

XV^{ers}[®]

CONDENSING FIRE TUBE

Models 0856 - 3006 Type H

THIS MANUAL CAN BE VIEWED ELECTRONICALLY USING YOUR SMART DEVICE. SEE PAGE 87 FOR QR CODE.



▲ WARNING: Improper installation, adjustment, alteration, service, or maintenance can cause property damage, personal injury, exposure to hazardous materials*, or loss of life. Review the information in this manual carefully. *This unit contains materials that have been identified as carcinogenic, or possibly carcinogenic, to humans.

FOR YOUR SAFETY: Do not store or use gasoline or other flammable vapors and liquids or other combustible materials in the vicinity of this or any other appliance. To do so may result in an explosion or fire.

WHAT TO DO IF YOU SMELL GAS:

- Do not try to light any appliance.
- Do not touch any electrical switch; do not use any phone in your building.
- Immediately call your gas supplier from a neighbor's phone. Follow the gas supplier's instructions.
- If you cannot reach your gas supplier, call the fire department.

Installation and service must be performed by a qualified installer, service agency or the gas supplier.

This manual should be maintained in legible condition and kept adjacent to the boiler or in a safe place for future reference.

Raypak[®]
A Rheem[®] Company

Effective: 06-13-22
Replaces: 03-25-22
P/N 241677 Rev. 14

Revision 14 reflects the following changes:

Added "Warning" on Page 22 regarding dead-heading the pump. Added QR Code section.

TABLE OF CONTENTS

WARNINGS	4	Condensate Treatment.....	47
Pay Attention to These Terms	4	Freeze Protection.....	48
BEFORE INSTALLATION	5	CONTROLS	48
Product Receipt.....	5	Sequence of Operation	48
Model Identification	5	XVers Integrated Control	50
Ratings and Certifications	5	ΔT Protection Zones.....	51
Installations at Elevation	5	Glycol % Setting.....	51
Component Locations	6	Vent Protection.....	51
WATER TREATMENT	7	Control Devices.....	52
Water Quality Requirements to Prevent Scaling and Corrosion	7	User Interface.....	55
Filled Water Hardness.....	8	WIRING DIAGRAM FOR MODELS 0856 - 1506	61
INSTALLATION	8	WIRING DIAGRAM FOR MODELS 1756 - 3006	62
Installation Codes.....	8	LADDER DIAGRAM FOR MODELS 0856-1506	63
Operating Water Requirement	8	LADDER DIAGRAM FOR MODELS 1756-3006	64
Equipment Base.....	10	START-UP	65
Clearances	10	Pre Start-up.....	65
Rigging Instructions.....	11	Pre Start-up Check.....	65
Pallet Jack/Forklifting	11	Initial Start-up.....	65
Outdoor Installation	13	Preparation.....	65
Combustion and Ventilation Air	13	Start-Up.....	66
Inside Air Contamination	13	OPERATION	70
Air Supply.....	15	Lighting Instructions	70
Water Piping.....	15	To Turn Off Gas To Appliance	70
Hydronic Heating.....	17	TROUBLESHOOTING	70
Gas Supply Connection	25	XVers Error Codes	70
Electrical Power Connections	26	Heater Errors.....	70
Multiple Voltage Configurations.....	27	Heater Faults.....	71
Field Connected Devices	32	HO ₂ T Troubleshooting	71
Venting - General	35	Raymote Troubleshooting	71
Vent Terminal Location.....	37	XVers Fault Text	72
Venting Installation Tips	38	MAINTENANCE	74
Venting Configurations.....	38	Suggested Minimum Maintenance Schedule	74
Vertical Venting (Category IV) – Stainless Steel and Polypro.....	39	Preventive Maintenance Schedule.....	75
Direct Vent—Vertical – Stainless Steel and Polypro.....	40	Filter Maintenance.....	75
Horizontal Through-the-Wall and Direct Vent - Horizontal - Stainless Steel and Polypro	41	ILLUSTRATED PARTS LIST	76
Vertical Venting (Category IV) - PVC/CPVC	42	IMPORTANT INSTRUCTIONS FOR THE COMMONWEALTH OF MASSACHUSETTS	83
Direct Vent - Vertical - PVC/CPVC	44	WARRANTY	85
Horizontal Through-the-Wall and Direct Vent - Horizontal - PVC/CPVC.....	45	QR CODES	87
Outdoor Installation	46		
Common Venting.....	47		

NOTE: Patent-pending features utilized in XVers construction and operation.

WARNINGS

Pay Attention to These Terms

▲ DANGER	Indicates the presence of immediate hazards which will cause severe personal injury, death or substantial property damage if ignored.
▲ WARNING	Indicates the presence of hazards or unsafe practices which could cause severe personal injury, death or substantial property damage if ignored.
▲ CAUTION	Indicates the presence of hazards or unsafe practices which could cause minor personal injury or product or property damage if ignored.
CAUTION	CAUTION used without the warning alert symbol indicates a potentially hazardous condition which could cause minor personal injury or product or property damage if ignored.
NOTE	Indicates special instructions on installation, operation, or maintenance which are important but not related to personal injury hazards.

▲ DANGER: Make sure the gas on which the boiler will operate is the same type as that specified on the boiler rating plate.

▲ WARNING: Risk of electrical shock. More than one disconnect switch may be required to de-energize the equipment before servicing.

▲ WARNING: A boiler model adjusted for natural gas will not function safely on propane and vice versa, even though parts are the same. The boiler should only use the fuel type in accordance with the listing on the rating plate. Any other fuel usage will result in death or serious personal injury from fire and/or explosion. Gas type conversion should only be made by qualified installers. The conversion is done by changing settings and making adjustments, with a conversion rating plate.

NOTE: Minimum pipe size for the boiler inlet/outlet connections is dependent on the equivalent length of piping between the load loop and the boiler loop, the operating conditions and the size of the boiler. See Table I and Table K.

▲ WARNING: Should overheating occur or the gas supply valve fail to shut, do not turn off or disconnect the electrical supply to the boiler. Instead, shut off the gas supply at a location external to the boiler.

▲ WARNING: Both natural gas and propane have an odorant added to aid in detecting a gas leak. Some people may not physically be able to smell or recognize this odorant. If you are unsure or unfamiliar with the smell of natural gas or propane, ask your local gas supplier. Other conditions, such as “odorant fade,” which causes the odorant to diminish in intensity, can also hide, camouflage, or otherwise make detecting a gas leak by smell more difficult.

▲ WARNING: Do not use this boiler if any part has been under water. Immediately call a qualified service technician to inspect the boiler and to replace any part of the control system and any gas control which has been under water.

▲ CAUTION: If this boiler is to be installed in a negative or positive pressure equipment room, there are special installation requirements. Consult factory for details.

▲ WARNING: To minimize the possibility of improper operation, serious personal injury, fire, or damage to the boiler:

- Always keep the area around the boiler free of combustible materials, gasoline, and other flammable liquids and vapors.
- Boiler should never be covered or have any blockage to the flow of fresh air to the boiler.

▲ CAUTION: This boiler requires forced water circulation when the burner is operating. See Table I and Table K for flow rate information. Severe damage will occur if the boiler is operated without proper water flow circulation.

BEFORE INSTALLATION

Raypak strongly recommends that this manual be reviewed thoroughly before installing your XVers boiler. Please review the General Safety information before installing the boiler. Factory warranty does not apply to boilers that have been improperly installed or operated. Refer to the warranty at the back of this manual.

Installation and service must be performed by a qualified installer, service agency, or gas supplier. If, after reviewing this manual, you still have questions which this manual does not answer, please contact your local Raypak representative or visit our website at www.raypak.com.

NOTE: Raypak recommends laying out and installing the vent system before installing water piping. This will ensure that the venting system and associated components will fit into the attached space for proper operation.

Thank you for purchasing a Raypak product. We hope you will be satisfied with the high quality and durability of our equipment.

Product Receipt

On receipt of your boiler it is suggested that you visually check for external damage to the shipping crate. If the crate is damaged, make a note to that effect on the Bill of Lading when signing for the shipment. Next, remove the boiler from the shipping packaging. Report any damage to the carrier immediately.

On occasion, items are shipped loose. Be sure that you receive the correct number of packages as indicated on the Bill of Lading.

Claims for shortages and damages must be filed with the carrier by consignee. Permission to return goods must be received from the factory prior to shipping. Goods returned to the factory without an authorized Returned Goods Receipt number will not be accepted. All returned goods are subject to a restocking charge.

When ordering parts, you must specify the model and serial number of the boiler. When ordering under warranty conditions, you must also specify the date of installation.

Purchased parts are subject to replacement only under the manufacturer's warranty. Debits for defective replacement parts will not be accepted. Parts will be replaced in kind only per Raypak's standard warranties.

Model Identification

The model identification number and boiler serial number are found on the rating plate located on the rear jacket panel of the boiler. See **Figure 3**.

The model number will have the form H7-1006* or similar depending on the boiler size and configuration.

- The letter(s) in the first group of characters identifies the application (H = Hydronic Heating).

- The number which follows identifies the firing mode (7 = electronic modulation).
- The second group of characters identifies the size of the boiler (the four numbers representing the approximate MBTUH input), and, where applicable, a letter, indicating the manufacturing series.

Ratings and Certifications

Standards

- ANSI Z21.13 · CSA 4.9 - latest edition, Gas-Fired Hot Water Boilers
- CAN 3.1 - latest edition, Industrial and Commercial Gas-Fired Package Boilers

All Raypak boilers are National Board registered, and design-certified and tested by the Canadian Standards Association (CSA) for the U.S. and Canada. Each boiler is constructed in accordance with Section IV of the American Society of Mechanical Engineers (ASME) Heater Pressure Vessel Code and bears the ASME "H" stamp. This boiler also complies with the latest edition of the ASHRAE 90.1 Standard.

⚠ WARNING: Altering any Raypak pressure vessel by installing replacement heat exchangers, or any ASME parts not manufactured and/or approved by Raypak will invalidate the ASME rating of the pressure vessel and invalidate the CSA certification of the appliance. Any resulting damage will not be covered under warranty. Altering the ASME or CSA ratings of the pressure vessel or appliance also violates national, state, and local approval codes.

Installations at Elevation

Rated inputs are suitable for up to 4,500 ft (1,372 m) elevation without de-rating. Consult your local representative or the factory for installations at altitudes over 4,500 ft (1,372 m) above sea level. No hardware changes are required to the boilers for installations up to 10,000 ft (3,050 m) (adjustments may be required).

General Information

Model No.	Input MBTUH (Kw)		Vent Size in. (mm)	
	Max	Min	Flue	Intake
0856	855 (251)	112.5 (33)	6 (152)	6 (152)
1006	999 (293)	112.5 (33)	6 (152)	6 (152)
1256	1250 (366)	100 (29.3)	8 (203)	6 (152)
1506	1500 (440)	100 (29.3)	8 (203)	6 (152)
1756	1750 (513)	222.5 (65.2)	8 (203)	8 (203)
2006	1999 (586)	222.5 (65.2)	8 (203)	8 (203)
2506	2499 (732)	295 (86.5)	10 (254)	8 (203)
3006	3000 (879)	295 (86.5)	10 (254)	8 (203)

Table A. Basic Product Data

Component Locations

NOTE: If your XVers is configured with HO₂T O₂ trim, please refer to the HO₂T manual (241781) for component location drawings with this option shown.

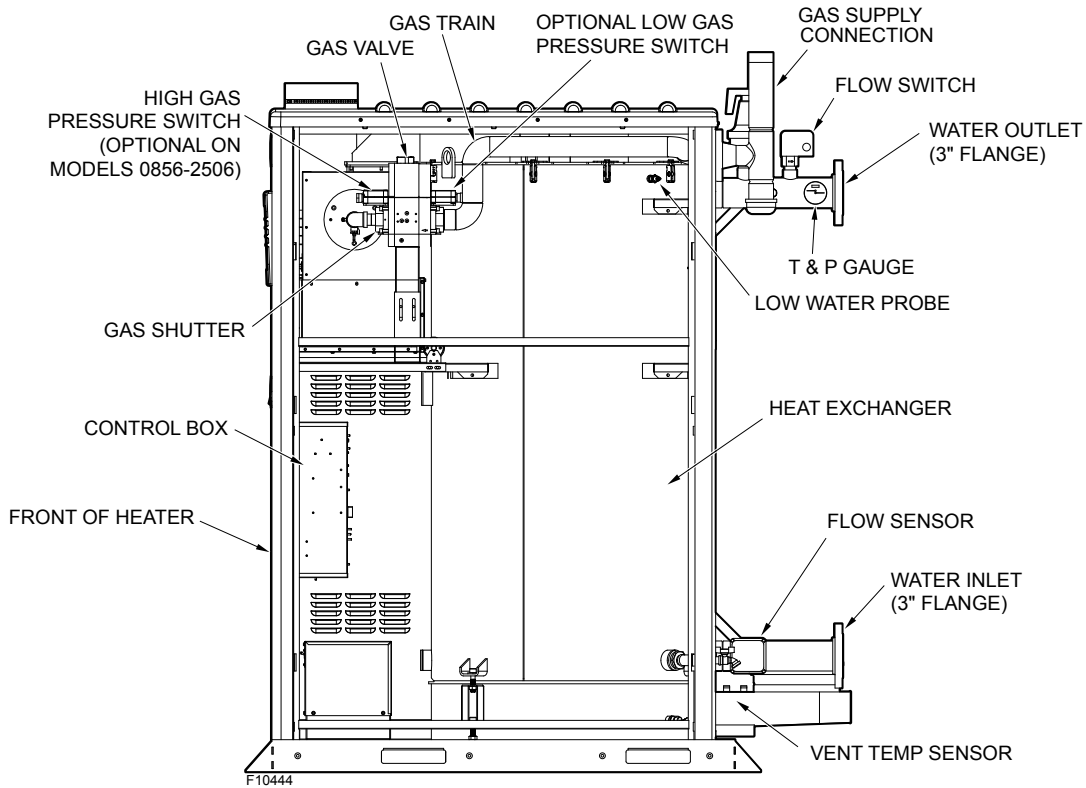
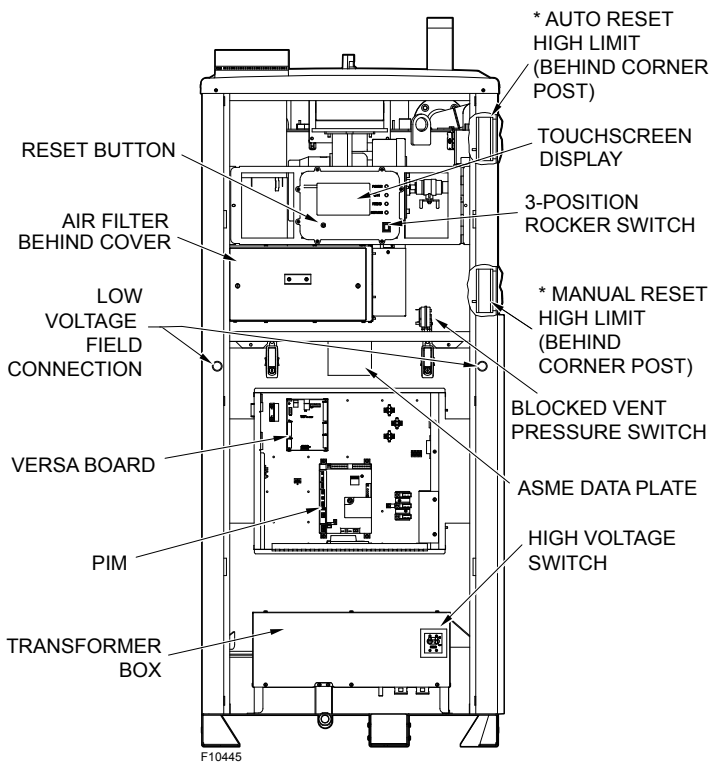


Figure 1. Component Locations – Right Side View



* Optional equipment

Figure 2. Component Locations - Front View

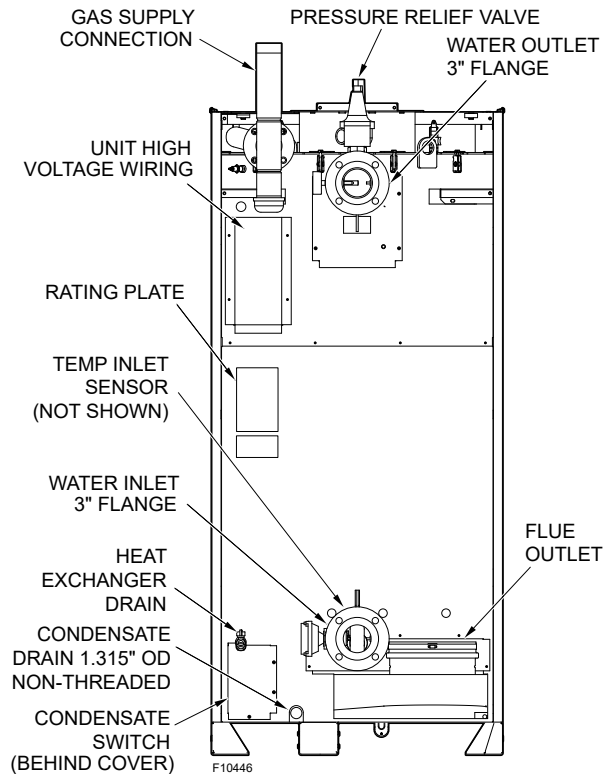


Figure 3. Component Locations - Rear View

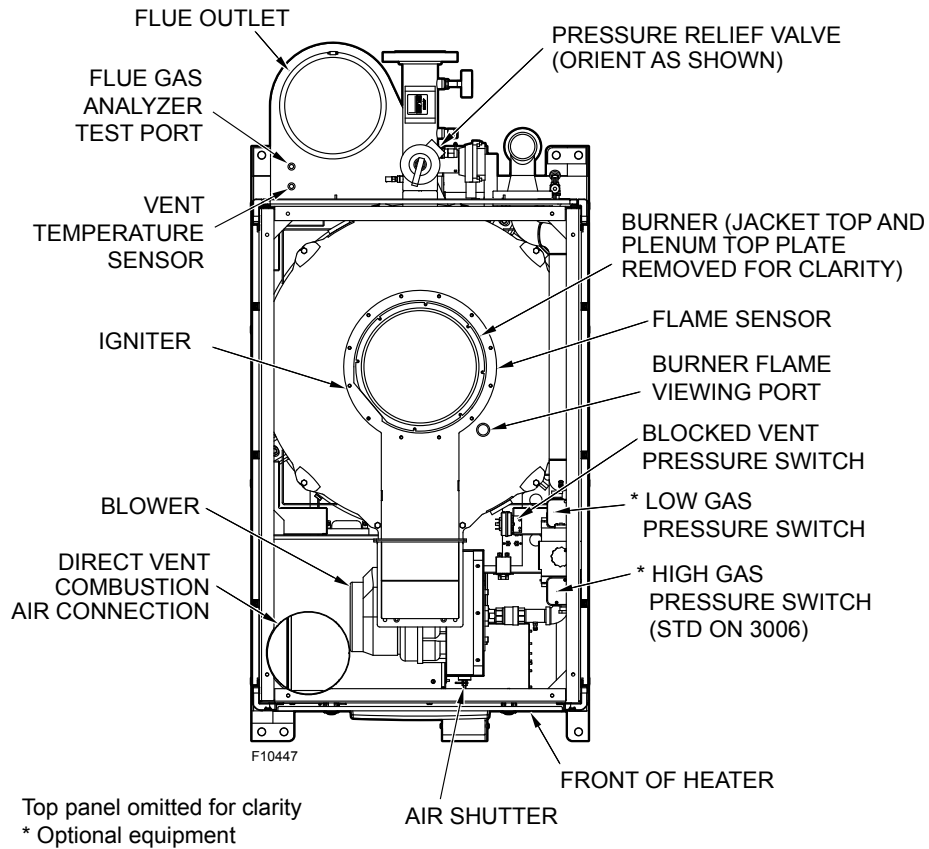


Figure 4. Component Locations - Top View

WATER TREATMENT

Water Quality Requirements to Prevent Scaling and Corrosion

To prevent the formation of scale and sludge in a closed heating circuit through the penetration of oxygen and carbonates, follow the recommendations below:

- Before filling the system, clean it according to standard EN14336. Chemical cleaning agents can be used.
- If the circuit is in bad condition, or the cleaning operation is not efficient, or there is a large volume of water in the system (e.g. cascade), it is recommended to separate the appliance from the heating circuit using a plate-to-plate heat exchanger or an equivalent accessory. In that case, it is recommended to install a hydrocyclone or magnetic filter on the system side.
- Limit the fill operations. To control the quantity of water added into the system, install a water meter on the filling line of the primary circuit. No more than 5% of the total content of the system is allowed annually.
- Automatic filling systems are not recommended unless the fill frequency is checked and the levels of scale and corrosion inhibitor are maintained at an appropriate level. If the system needs to be refilled frequently, check for leaks in the primary circuit.
- Inhibitors may be used according to standard EN 14868.
- An air separator (on the appliance supply circuit) combined with a dirt separator (upstream of the appliance) must be installed according to the manufacturer's instructions.
- Additives can be used to keep the oxygen in solution in the water.
- Use the additives in accordance with the instructions of the manufacturer of the water treatment product.

Filled Water Hardness

If the hardness of the fill water is higher than 200 PPM, soften it. At commissioning, the water should be soft.

Check the water hardness regularly and enter the values in the maintenance log sheet (provided at the end of the manual).

Water Hardness	PPM
Very soft	0-70
Soft	70-150
Fairly Hard	150-250
Hard	250-420
Very Hard	>420

Table B. Water Hardness

Operating Water Requirement

- In addition to the oxygen and the water hardness, other parameters of the water must be checked. Treat the water if the measured values are outside the range of the table below.
- In case the system operates at low temperature, it may be necessary to use an agent that inhibits the spread of bacteria.

Water Parameters	Range
Acidity	8.2 < pH < 9.0
Conductivity	< 400 uS/cm (at 25°C)
Chlorides	< 150 mg/l
Iron	< 0.5 mg/l
Copper	< 0.1 mg/l
TDS	< 2000 PPM

Table C. Water Hardness

INSTALLATION

Installation Codes

Installations must follow these codes:

- Local, state, provincial, and national codes, laws, regulations and ordinances
- National Fuel Gas Code, ANSI Z223.1/NFPA 54 – latest edition (NFGC)
- National Electrical Code, ANSI/NFPA 70 - latest edition (NEC)
- Standard for Controls and Safety Devices for Automatically Fired Boilers, ANSI/ASME CSD-1, (CSD-1) when required
- For Canada only: CAN/CSA B149 Natural Gas and Propane Installation Code and CSA C22.1 C.E.C. Part 1 (C22.1)

Models No.	A in. (mm)	B in. (mm)	Operating Weight lb (kg)
0856/1006	28 (711)	49.52 (1258)	2237 (1015)
1256/1506	28 (711)	52.60 (1336)	2835 (1286)
1756/2006	32 (813)	54.74 (1390)	3055 (1386)
2506/3006	32 (813)	58.24 (1479)	4141 (1878)

See **Figure 5** and **Figure 6** on next page.

Table D. Anchor Hole Dimensions

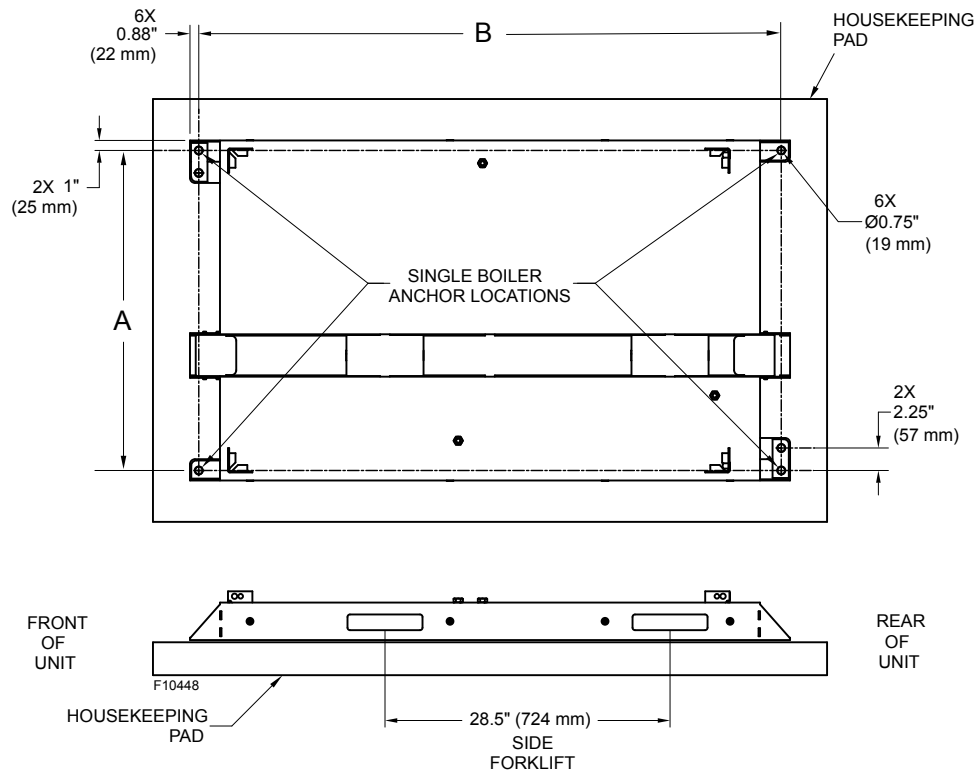


Figure 5. Single Anchor Hole Locations

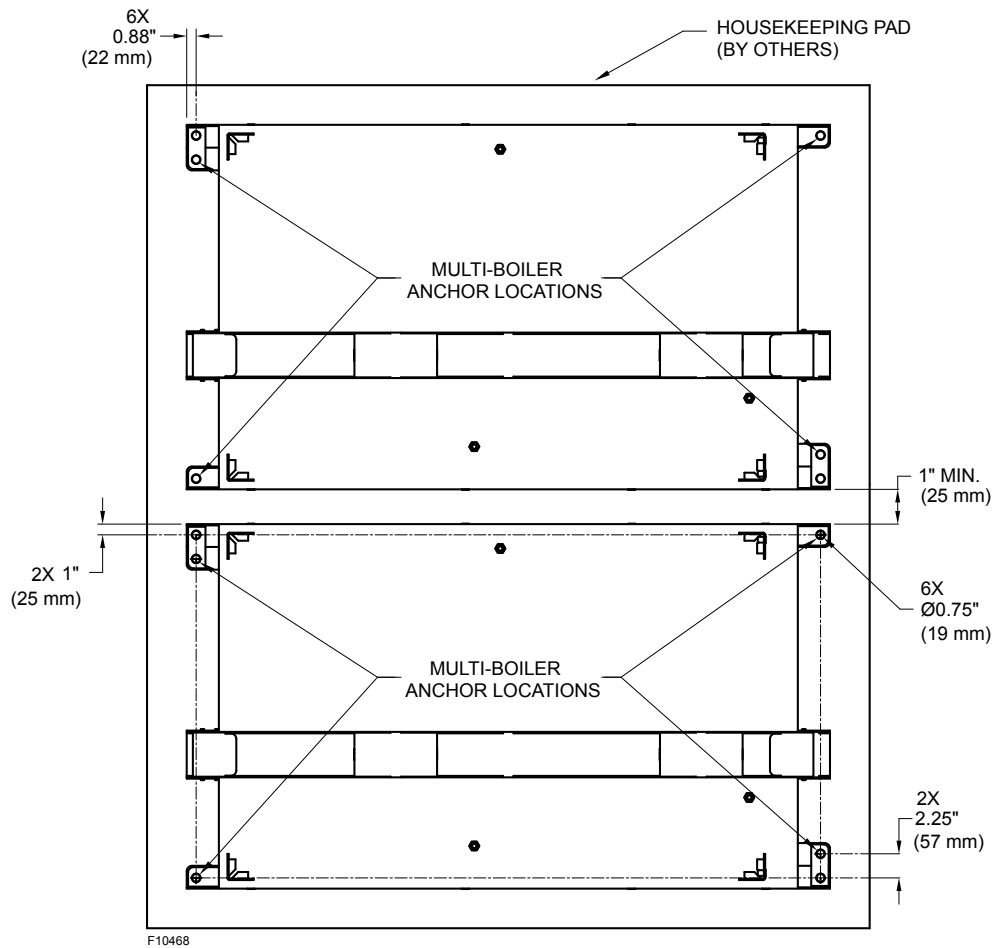


Figure 6. Multiple Unit Anchor Hole Locations

Equipment Base

The boiler should be mounted on a level, structurally sound housekeeping pad. The boiler is approved for installation on a combustible surface but must NEVER be installed on carpeting. Gas-fueled equipment installed in enclosed parking garages must be located at least 18" (457 mm) above the floor.

CAUTION: This boiler should be located in an area where water leakage will not result in damage to the area adjacent to the appliances or to the structure.

In addition, the boiler shall be installed such that the gas ignition system components are protected from water (dripping, spraying, rain, etc.) during appliance operation or service (circulator replacement, control replacement, etc.).

If the boiler needs to be secured to the ground, use the hole pattern shown in **Figure 5** and **Figure 6**, following local codes.

Clearances

Indoor Installations

Heater Side	Minimum Clearances from Combustible Surfaces in. (mm)	Minimum Service Clearance in. (mm)
Floor *	0	0
Rear	24 (610)	24 (610)
Right Side	1 (25)	1 (25)
Left Side	1 (25)	1 (25)
Top	0	24 (610)
Front	Open	30 (762)
Vent	1 (25)	1 (25)

* DO NOT install on carpeting

Table E. Clearances - Indoor Installations

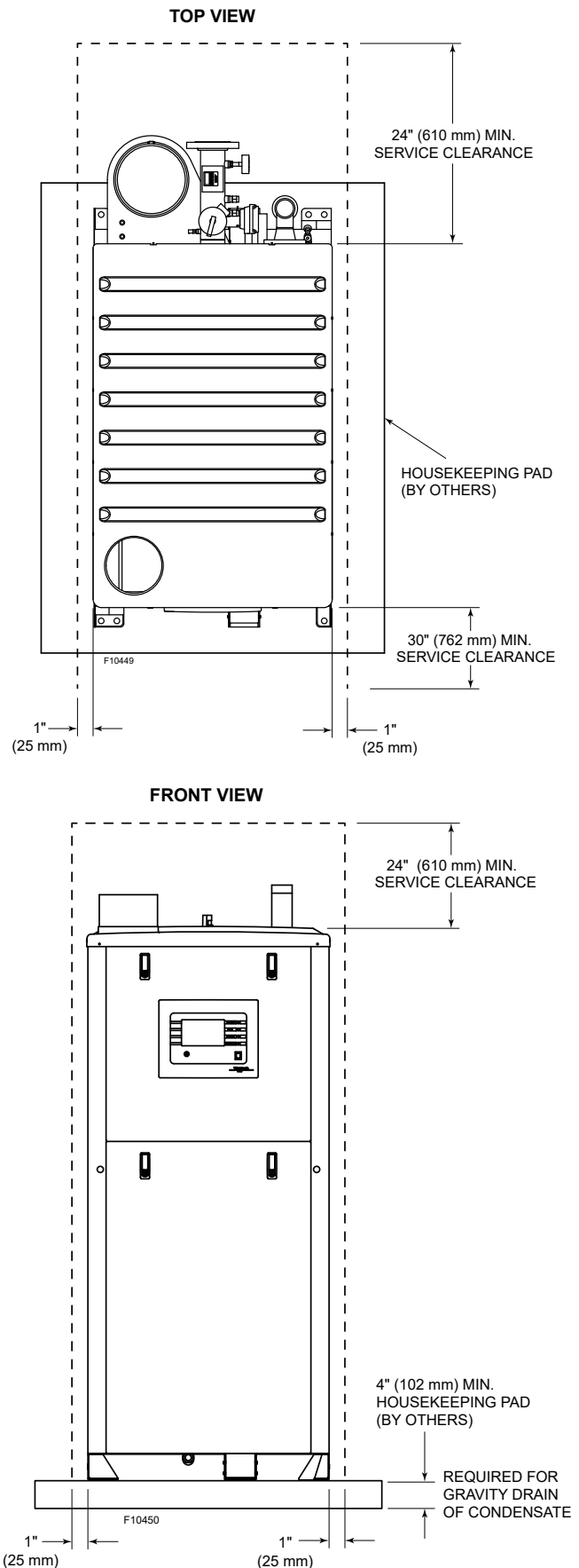


Figure 7. Minimum Clearances from Combustible Surfaces – Indoor and Outdoor Installations

For ease of servicing, a clearance of at least 30" (762 mm) in front, at least 24" (610 mm) on the rear and 24" (610 mm) above the top of the boiler is required. This will allow the boiler to be serviced in its installed location without movement or removal of the boiler.

Service clearances less than the minimum may require removal of the boiler to service either the heat exchanger or the burner components. In either case, the boiler must be installed in a manner that will enable the boiler to be serviced without removing any structure around the boiler.

Rigging Instructions

The boiler is equipped with lugs to move the boiler by cranes. Remove the top panel and hook to the lifting lugs as shown in **Figure 8**.

⚠ WARNING: A spreader bar of "A" length must be used to prevent non-warrantable damage to the boiler.

Models No.	A in. (mm)
0856/1006	24 (610)
1256/1506	27 (686)
1756/2006	29.5 (749)
2506/3006	33.2 (843)

Table F. Spreader Bar Dimensions

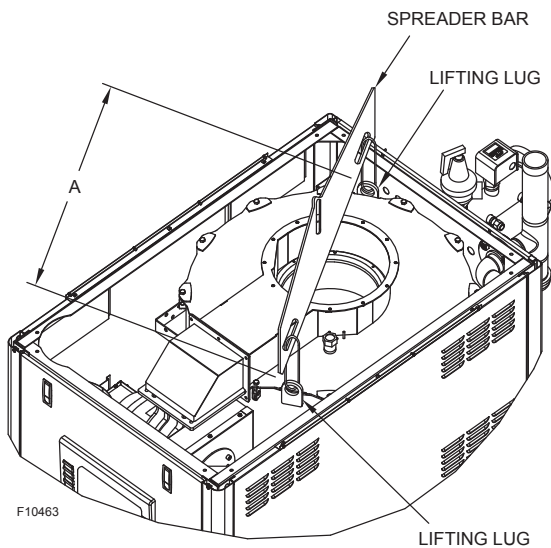


Figure 8. Lifting Lugs

Pallet Jack/Forklifting

The XVers boilers are designed to be moved by pallet jack (front or rear) or forklift (any side). See **Figure 9** and **Figure 10**.

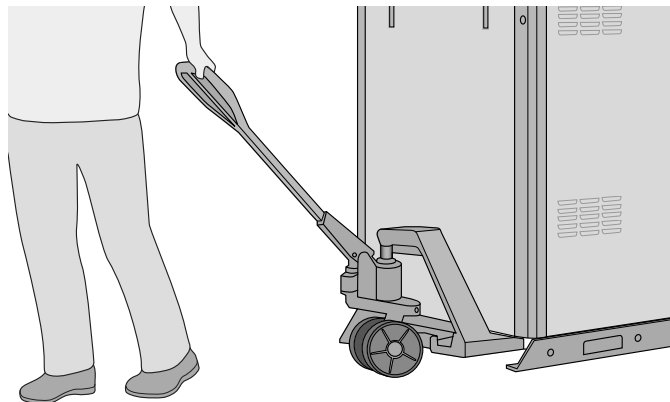


Figure 9. Pallet Jack

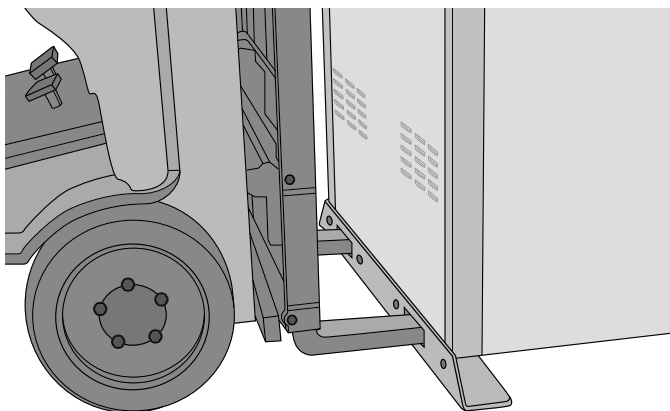


Figure 10. Forklifting

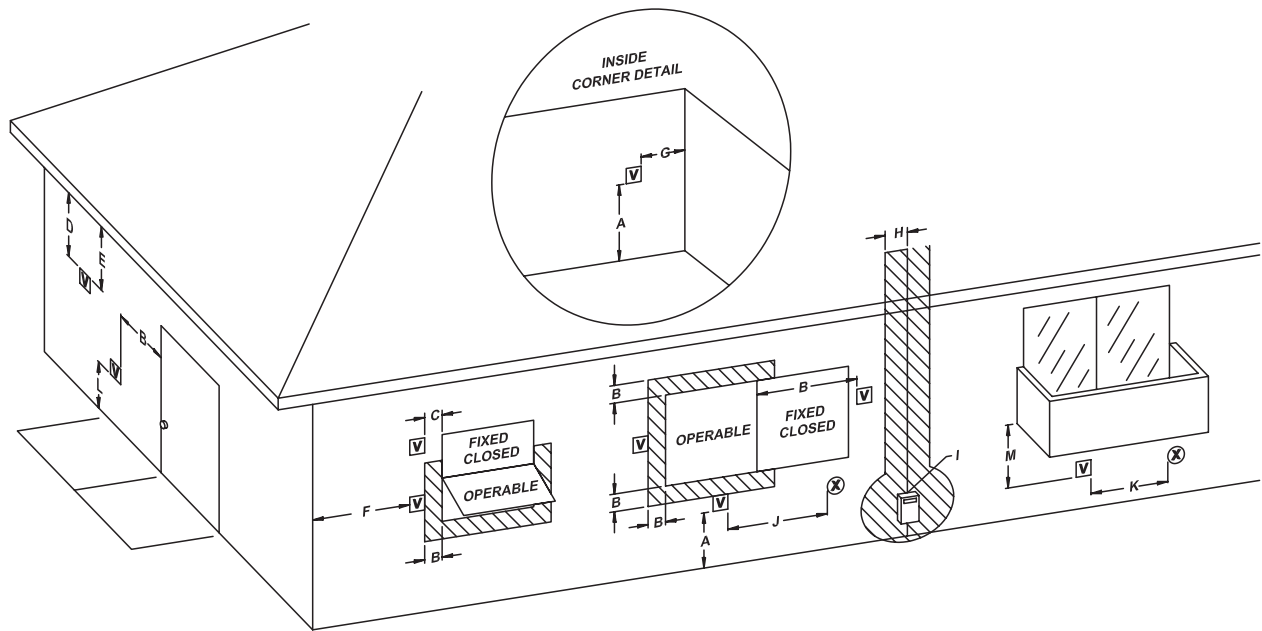


Figure 11. Minimum Clearances from Vent/Air Inlet Terminations – Indoor and Outdoor Installations

		U.S. Installations ¹	Canadian Installations ²
A	Clearance above grade, veranda, porch, deck, or balcony	1' (30 cm)	1' (30 cm)
B	Clearance to window or door that may be opened	4' (1.2 m) below or to side of opening	3' (91 cm)
C	Clearance to permanently closed window	*	*
D	Vertical clearance to ventilated soffit located above the terminal within a horizontal distance of 2' (61 cm) from the centerline of the terminal	5' (1.5 m)	*
E	Clearance to unventilated soffit	*	*
F	Clearance to outside corner	*	*
G	Clearance to inside corner	6' (1.83 m)	*
H	Clearance to each side of center line extended above meter/regulator assembly	*	3' (91 cm) within a height 15' above the meter/regulator assembly
I	Clearance to service regulator vent outlet	*	6' (1.83 m)
J	Clearance to non-mechanical air supply inlet to building or the combustion air inlet to any other appliance	4' (1.2 m) below or to side of opening; 1' (30 cm) above opening	3' (91 cm)
K	Clearance to mechanical air supply inlet	3' (91 cm) above if within 10' (3 m) horizontally	6' (1.83 m)
L	Do not terminate above paved sidewalk or paved driveway	Slip hazard due to frozen condensate	Slip hazard due to frozen condensate
M	Clearance under veranda, porch, deck or balcony	*	12" (30 cm) ³

¹ In accordance with the current ANSI Z223.1/NFPA 54 National Fuel Gas Code.

² In accordance with the current CAN/CSA-B149 Installation Codes.

³ Permitted only if veranda, porch, deck, or balcony is fully open on a minimum of two sides beneath the floor and top of terminal, and underside of veranda, porch, deck or balcony is greater than 1' (30 cm).

* Clearances in accordance with local installation codes and the requirements of the gas supplier.

Table G. Vent/Air Inlet Termination Clearances

Outdoor Installation

CAUTION: DO NOT install XVers boilers outdoors in freezing climates.

NOTE: Housekeeping pad of adequate height required for outdoor units to protect boiler from standing water and to allow for proper management of condensate.

These units may be installed outdoors when provided with the factory-supplied and required outdoor trim.

Boilers must not be installed under an overhang unless clearances are in accordance with local installation codes and the requirements of the gas supplier.

Three sides must be open in the area under the overhang. Roof water drainage must be diverted away from boilers installed under overhangs.

Combustion air is drawn through the louvers in the jacket. DO NOT remove the cap as shipped from the factory.

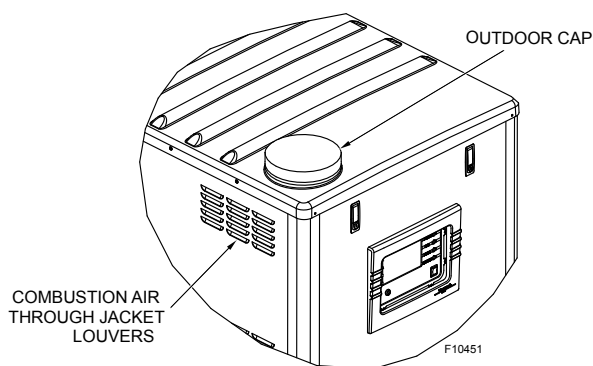


Figure 12. Outdoor Combustion Air

CAUTION: Do not install where the condensate can freeze. Take appropriate measures.

Heater Side	Minimum Clearances from Combustible Surfaces in. (mm)	Minimum Service Clearance in. (mm)
Rear	12 (305)	24 (610)
Front	Open	30 (762)
Left Side	1 (25)	1 (25)
Right Side	1 (25)	1 (25)
Top	Unobstructed	Unobstructed
Vent Termination	Open	Open

Table H. Clearances – Outdoor Installations

NOTE: Vent termination must not terminate under ceiling or overhang.

Combustion and Ventilation Air

NOTE: Use of this boiler in construction areas where fine particulate matter, such as concrete or dry-wall dust, is present may result in damage to the boiler that is not covered by the warranty. If operated in a construction environment, a clean source of combustion air must be provided directly to the boiler.

Inside Air Contamination

All boilers experience some condensation during start-up. The condensate from flue gas is acidic. Combustion air can be contaminated by certain vapors in the air which raise the acidity of the condensate. Higher acidity levels attack many materials including stainless steel, which is commonly used in high efficiency systems. The boiler can be supplied with corrosion-resistant, non-metallic intake air vent material. You may, however, choose to use outside combustion air for one or more of these reasons:

1. Installation is in an area containing contaminants listed below which will induce acidic condensation.
2. You want to reduce infiltration into your building through openings around windows and doors.
3. You are using AL29-4C stainless steel, PVC, CPVC or Polypropylene vent pipe, which is more corrosion-resistant than standard metallic vent pipe. In extremely contaminated areas, this may also experience deterioration.

Products causing contaminated combustion air:

- spray cans containing chloro/fluorocarbons
- permanent wave solutions
- chlorinated waxes/cleaners
- chlorine-based swimming pool chemicals
- calcium chloride used for thawing
- sodium chloride used for water softening
- refrigerant leaks
- paint or varnish removers
- hydrochloric acid/muriatic acid
- cements and glues
- antistatic fabric softeners used in clothes dryers
- chloride-type bleaches, detergents, and cleaning solvents found in household laundry rooms
- adhesives used to fasten building products
- similar products

Areas where contaminated combustion air commonly exists:

- dry cleaning/laundry areas
- metal fabrication plants
- beauty shops

- refrigeration repair shops
- photo processing plants
- auto body shops
- plastic manufacturing plants
- furniture refinishing areas and establishments
- new building construction
- remodeling areas
- open pit skimmers

Check for areas and products listed above before installing boiler. If found:

- remove products permanently, OR
- install TruSeal direct vent.

Indoor Units

NOTE: On indoor installations, the clear panel in the outer bezel may be removed to allow access to the touchscreen without removing the outer panel.

This boiler must be supplied with sufficient quantities of non-contaminated air to support proper combustion and equipment ventilation. Combustion air can be supplied via conventional means where combustion air is drawn from the area immediately surrounding the boiler, (as shipped from factory, combustion air is drawn through louvers in jacket panels) or via direct vent, where combustion air is drawn directly from outside. (See "U.S. Installations" on page 15 for instructions on how to connect ducting to the unit). All installations must comply with the requirements of the NFGC (U.S.) and B149 (Canada), and all local codes.

CAUTION: Combustion air must not be contaminated by corrosive chemical fumes which can damage the boiler and cause a non-warrantable failure. See the Appendix on page 75.

NOTE: It is recommended that the intake vent be insulated to minimize sweating in freezing climates.

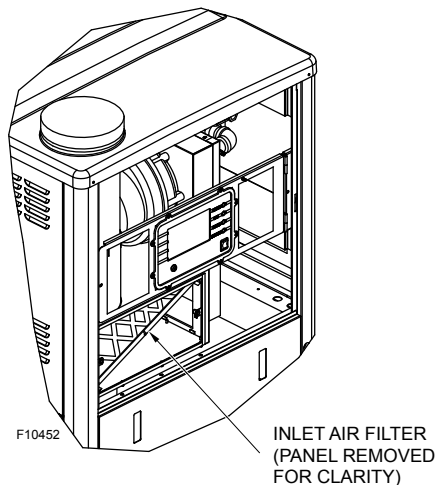


Figure 13. Air Filter Location

Air Filter

An air filter is supplied standard with the boiler. Models 0856 - 1506 use a 12" x 16" MERV 8 filter while models 1756 - 3006 use a 16" x 16" MERV 8 filter. Remove front panel and access panel to filter to inspect and/or replace the air filter. See Figure 13.

Direct Vent/TruSeal®

Combustion air may be ducted directly to the boiler using PVC, CPVC, or sealed single-wall galvanized ducting. The resulting installation meets the requirements for a direct-vent installation. See the section on direct venting for detailed information.

1. Install combustion air duct to the Air Intake Connection. See Figure 4 and Figure 12. Remove and discard the outdoor cap and extend the combustion air duct through the top to connect to the blower intake. All ducting shall be self-supporting.
2. In cold climates, and to mitigate potential freeze-up, Raypak highly recommends the installation of a motorized sealed damper to prevent the circulation of cold air through the boiler during non-operating hours. The optional D-37 meets these needs.
3. Ventilation of the room occupied by the boiler(s) is required and can be provided by an opening(s) for ventilation air within 12" (305 mm) of the highest practical point communicating with the outdoors. The total cross-sectional area of these openings shall be at least 1 square inch free air space per 20,000 BTUH (111 mm² per kW) of total input rating of all equipment in the room, when the opening is communicating directly with the outdoors or through vertical duct(s). The total cross-sectional area shall be at least 1 square inch of net free air space per 10,000 BTUH (222 mm² per kW) of total input rating of all equipment in the room, when the opening is communicating with the outdoors through horizontal duct(s). Damage to the equipment due to inadequate ventilation of the space is not a warrantable failure.

Motorized Combustion Air Dampers or Louvers

When motorized dampers or louvers are used for combustion air, they must be interlocked with each appliance in the equipment room, to ensure proper operation.

See Field Wiring Connection section of this manual for proper wiring instructions, using Fan/Damper dry contacts and external interlock.

WARNING: When unit is installed in the freezing climates using ducted combustion air, a motorized damper must be used and must be interlocked with the boiler per NFGC requirements.

CAUTION: All ducting must be self-supported.

Air Supply

U.S. Installations

All Air from Inside the Building

The confined space shall be provided with TWO permanent openings communicating directly with an additional room(s) of sufficient volume so that the combined volume of all spaces meets the criteria for a room large in comparison (NFGC). The total input of all gas utilization equipment installed in the combined space shall be considered in making this determination. Each opening shall have a minimum free area of 1 square inch per 1,000 BTUH (2,225 mm² per kW) of the total input rating of all gas utilization equipment in the confined space, but not less than 100 square inches (645 cm²). One opening shall commence within 12" (305 mm) of the top, and one opening shall commence within 12" (305 mm) of the bottom of the enclosure. The minimum dimension of air openings shall be not less than 3" (76 mm) in any direction.

All Air from Outdoors

The confined space shall communicate with the outdoors in accordance with one of the methods below. The minimum dimension of air openings shall not be less than 3" (76 mm) in any direction. Where ducts are used, they shall be of the same cross-sectional area as the net free area of the openings to which they connect.

1. **Two permanent openings**, one commencing within 12" (305 mm) of the top, and one commencing within 12" (305 mm) of the bottom of the enclosure, shall be provided. The openings shall communicate directly, or by ducts, with the outdoors or spaces (crawl or attic) that freely communicate with the outdoors.
 - a. Where directly communicating with the outdoors or where communicating to the outdoors through vertical ducts, **each opening** shall have a minimum free area of 1 square inch per 4,000 BTUH (550 mm² per kW) of total input rating of all equipment in the enclosure.
 - b. Where communicating with the outdoors through horizontal ducts, **each opening** shall have a minimum free area of 1 square inch per 2,000 BTUH (1,100 mm² per kW) of total input rating of all equipment in the enclosure.
2. **One permanent opening**, commencing within 12" (305 mm) of the top of the enclosure, shall be permitted where the equipment has clearances of at least 1" (25.4 mm) from the sides and back and 6" (152 mm) from the front of the appliance. The opening shall directly communicate with the outdoors or shall communicate through a vertical or horizontal duct to the outdoors or spaces that freely communicate with the outdoors, and shall have a minimum free area of:

- a. 1 square inch per 3,000 BTUH (740 mm² per kW) of the total input rating of all equipment located in the enclosure, and
- b. Not less than the sum of the areas of all vent connectors in the confined space.

▲ WARNING: Do not use the "one permanent opening" method if the equipment room is under negative-pressure conditions.

Canadian Installations

▲ CAUTION: All combustion air must be drawn from the air outside of the building; the mechanical equipment room must communicate directly with the outdoors.

Ventilation of the space occupied by the boiler shall be provided by an opening(s) for ventilation air at the highest practical point communicating with the outdoors. The total cross-sectional area of such an opening(s) shall be at least 10% of the area required below, but in no case shall the cross-sectional area be less than 10 square inches (65 cm²).

▲ WARNING: Make sure that the equipment room is not under negative-pressure conditions.

When air supply is provided by natural air flow from outdoors for a power burner and there is no draft regulator, draffhood or similar flue gas dilution device installed in the same space, in addition to the opening for ventilation air required above, there shall be a permanent air supply opening(s) having a total cross-sectional area of not less than 1 square inch for each 30,000 BTUH (74 mm² per kW) of total rated input of the burner(s), and the location of the opening(s) shall not interfere with the intended purpose of the opening(s) for ventilation air referred above.

This opening(s) can be ducted to a point not more than 18" (450 mm) nor less than 6" (152 mm) above the floor level. The duct can also "goose neck" through the roof. The duct is preferred to be straight down 18" (450 mm) from the floor, but not near piping. Refer to the B149 Installation Code for additional information.

Water Piping

General

The boiler should be located so that any water leaks will not cause damage to the adjacent area or structures.

NOTE: Minimum pipe size for the boiler inlet/outlet connections is dependent on the equivalent length of piping between the load loop and the boiler loop, the operating conditions and the size of the boiler. See Table I and Table K.

Suction Diffuser and Motorized Isolation Valve

The boiler requires a minimum of 20" (508 mm) of straight, 3-inch pipe between the inlet water flange and any bends/elbows (This pipe to be removable for inspection/service of heat exchanger). The inlet of the diffuser may be turned to left or right, or vertical, as needed for the installation. See **Figure 14**. If this is not possible, a suction diffuser (or flow straightener) with inspection cover must be used to ensure proper flow measurement and boiler operation. Raypak Option P-171 should be ordered. See **Figure 15**.

NOTE: If the suction diffuser is equipped with a strainer, this must be periodically inspected and cleaned of debris as needed.

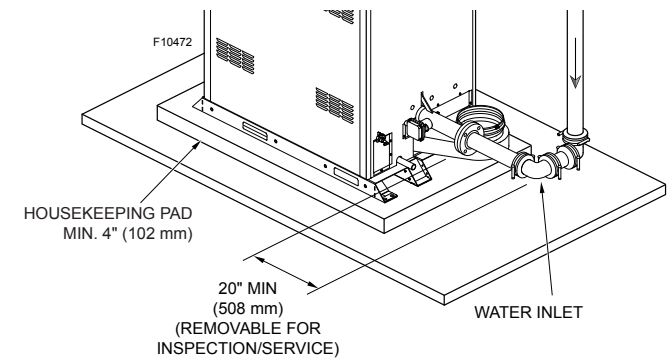


Figure 14. Hydraulic Piping Requirement

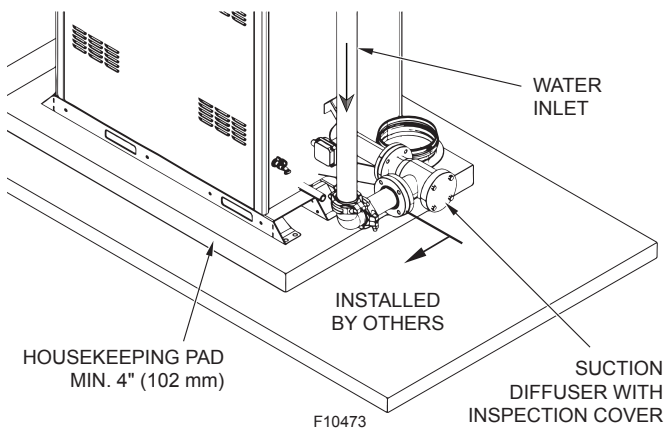


Figure 15. Suction Diffuser (Flow Straightener)

If the boiler is installed in a cascade Primary Piping Configuration, a motorized isolation valve should be used. Raypak Option P-170 should be ordered.

See **Figure 16** for isolation valve installation location.

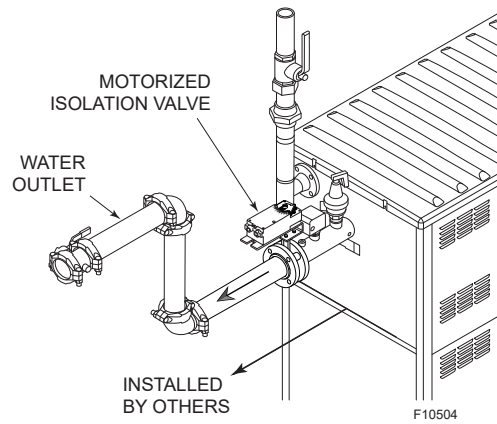


Figure 16. Motorized Isolation Valve Installation

Relief Valve Piping

⚠ WARNING: Pressure relief valve discharge piping must be piped near the floor and close to a drain to eliminate the potential of severe burns. Do not pipe to any area where freezing could occur. Refer to local codes.

The pressure relief valve (PRV) is shipped either mounted on the outlet pipe or loose in the Shipped Loose Items carton inside the crating.

For model 2506/3006 with 30# PRV, a 60# PRV and a 30 # PRV are shipped loose. The 60# PRV MUST be installed in the PRV port on the outlet of the boiler and the 30# relief valve may be installed in the adjacent system piping. Refer to **Figure 20** and **Figure 25**.

Some PRVs are shipped loose to protect them from damage during shipping/rigging into place.

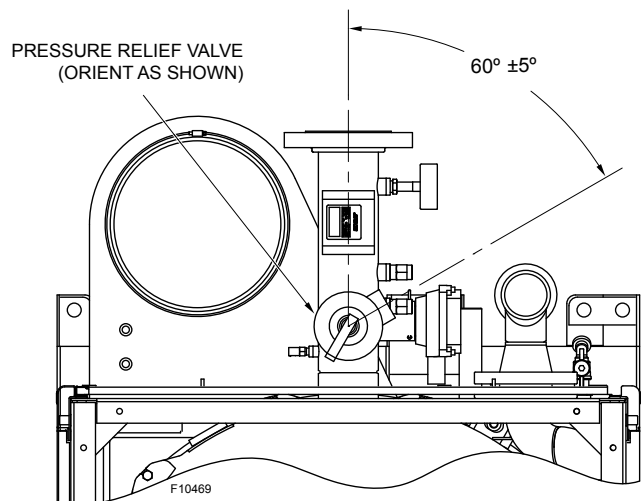


Figure 17. Recommended PRV Orientation

Temperature & Pressure Gauge

The temperature and pressure gauge is shipped threaded onto the boiler outlet assembly.

Hydrostatic Test

Unlike many types of boilers, this boiler does not require hydrostatic testing prior to being placed in operation. The heat exchanger has already been factory-tested and is rated for 160 psi (1100 kPa) operating pressure. However, Raypak does recommend hydrostatic testing of the piping connections to the boiler and the rest of the system prior to operation. This is particularly true for hydronic systems using expensive glycol-based anti-freeze. Raypak recommends conducting the hydrostatic test before connecting gas piping or electrical supply. Leaks must be repaired at once to prevent damage to the boiler. NEVER use petroleum-based stop-leak compounds.

Isolate boiler water connections from the system prior to performing a hydrostatic test.

Flushing/Cleaning of System Piping

Many of the chemicals used to perform this function will harm the heat exchanger as well as some of the gaskets and seals within the unit, causing a non-warrantable failure. When required, Raypak recommends the boiler be isolated from the system piping prior to flushing or cleaning, using any cleaning agent.

System Sensor Installation

The System Sensor (S3) is required for all cascade or primary/secondary piping configurations unless the units firing rate will be controlled by an external source such as our Temp Tracker MOD+ Hybrid sequencer. Proper placement and method of installation are critical for proper operation of the system. The sensor must be installed in a drywell in conjunction with heat conductive compound as shown in **Figure 18**. The drywell must be installed no more than 5 equivalent feet (1.52 m) of pipe/tubing downstream of the de-coupler and installed in such a way that ensures the sensor bulb is in the flow path on primary/secondary configurations or 5 equivalent feet (1.52 m) downstream of the last boiler in Primary Cascade systems.

CAUTION: Be careful when installing the drywell not to over-tighten the well as this can damage the well and may prevent the sensor from fitting properly.

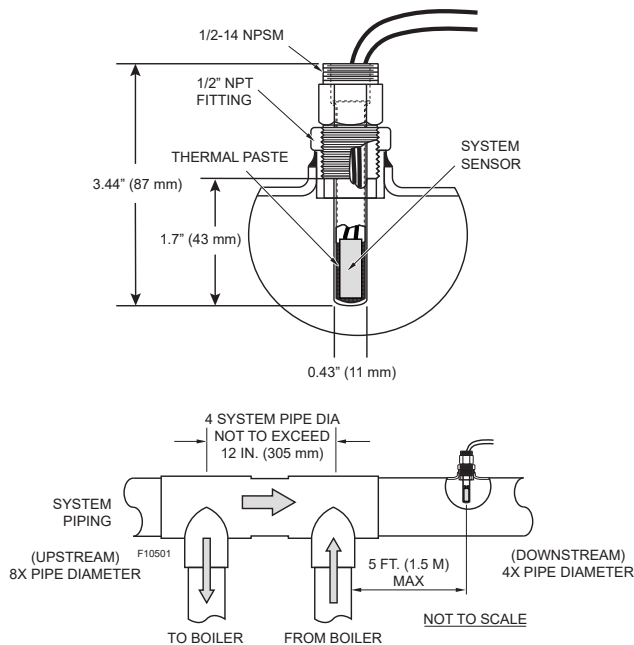


Figure 18. System Sensor Installation on Primary/Secondary Systems

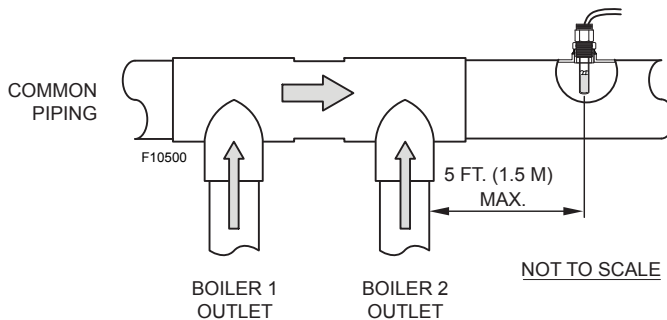


Figure 19. System Sensor Installation on Cascade Primary Systems

Hydronic Heating

Pump Selection

The boiler is designed for up to 80°F (27°C) ΔT and continuous return temperatures from 40°F to 190°F (4.4°C to 88°C).

NOTE: Higher return temperatures may limit the firing rate when the maximum water temperature of 200°F (93°C) is approached.

MODEL NO.	Flow Values GPM (L/Min)			
	Max Flow**	Min. Flow* @100%	Min. Flow* @Ignition	Min. Flow*
0856	165 (624)	22 (83)	22 (83)	22 (83)
1006	192 (727)	24 (91)	22 (83)	22 (83)
1256	231 (874)	30 (114)	22 (83)	22 (83)
1506	231 (874)	36 (136)	22 (83)	22 (83)
1756	231 (874)	42 (159)	25 (95)	22 (83)
2006	231 (874)	48 (182)	30 (114)	22 (83)
2506	231 (874)	60 (227)	40 (151)	22 (83)
3006	231 (874)	72 (273)	45 (170)	29 (110)

* Minimum flow based on H₂O as heating media. Media other than H₂O may require higher minimum flow rates.

** Maximum flow based on 10° ΔT or 10.5 feet per second velocity, whichever is less.

Table I. Flow Rate Values

NOTE: For systems using glycol, see Table J below for pumping requirements.

PARAMETER CORRECTION	Ethylene Glycol Concentration (%)				
	0	25	30	40	50
Capacity Factor Multiplier	1.000	0.972	0.960	0.928	0.878
GPM Correction Multiplier	1.000	1.040	1.055	1.100	1.150

Table J. Glycol Correction Factors

Model No.	Input	Output	20°F ΔT (11°C ΔT)						40°F ΔT (22°C ΔT)						60°F ΔT (33°C ΔT)						Min Flow for Ignition		Max Flow	
			GPM (lpm)	ΔP	SHL 2.5" Pipe	SHL 3" Pipe	SHL 4" Pipe	GPM (lpm)	ΔP	SHL 2.5" Pipe	SHL 3" Pipe	SHL 4" Pipe	GPM (lpm)	ΔP	SHL 2.5" Pipe	SHL 3" Pipe	SHL 4" Pipe	GPM (lpm)	ΔP	GPM (lpm)	ΔP			
0856	855 (251)	823 (241)	82 (310)	1.7	3.1	3.4	2.1	41 (155)	0.5	1.8	1.0	0.6	27 (101)	0.3	1.0	0.6	0.4	22 (83)	0.1	165 (624)	6.4			
1006	999 (293)	961 (282)	93 (352)	2.2	8.7	4.4	2.8	48 (181)	0.7	2.5	1.3	0.9	32 (121)	0.5	1.3	0.8	0.5	22 (83)	0.2	192 (726)	7.8			
1256	1250 (366)	1203 (353)	120 (454)	2.6		5.9	3.5	60 (227)	0.8	3.5	1.7	1.0	40 (151)	0.5	1.8	1.0	0.6	22 (83)	0.3	231 (874)	8.0			
1506	1500 (440)	1443 (423)	144 (545)	3.6		8.3	4.8	72 (272)	0.9	4.7	2.2	1.2	48 (181)	0.6	2.3	1.2	0.8	22 (83)	0.3	231 (874)	8.0			
1756	1750 (513)	1684 (494)	168 (635)	3.8		10.0	5.5	84 (317)	1.0	6.0	2.7	1.5	56 (211)	0.7	3.1	1.5	0.9	25 (95)	0.3	231 (874)	6.7			
2006	1999 (586)	1923 (564)	192 (726)	4.7			6.8	96 (363)	1.2	7.7	3.4	1.8	64 (241)	0.8	3.8	1.9	1.1	30 (114)	0.4	231 (874)	6.7			
2506	2499 (732)	2404 (705)					10.1	120 (454)	2.1		5.4	3.0	80 (302)	1.4	5.9	3.0	1.8	40 (151)	0.7	231 (874)	7.1			
3006	3000 (879)	2865 (840)					10.1	143 (541)	3.0		7.6	4.2	96 (363)	2.0	8.5	4.2	2.6	45 (170)	0.9	231 (874)	7.1			

Pipe sizing based on not exceeding 7.5 feet per second velocity.

ΔP = Feet of Head.

SHL = System Head Loss of boiler plus 100 equivalent feet (30 m) of pipe.

Max flow may require larger than 3 inch piping to not exceed max velocity.

Table K. Boiler Rates of Flow for Various System Pipe Sizes

Feedwater Regulator

Raypak recommends that a feedwater regulator be installed and set at 12 psi (8.3 kPa) minimum pressure at the highest point of the system. Install a check valve or back flow device upstream of the regulator, with a manual shutoff valve as required by local codes.

Piping

All high points should be vented. This boiler, when used in connection with a refrigeration system, must be installed so that the chilled medium is piped in parallel with the boiler with appropriate valves to prevent the chilled medium from entering the boiler. The piping system of a hot water boiler connected to heating coils located in air-handling units where they may be exposed to circulating refrigerated air, must be equipped with flow-control valves or other automatic means to prevent gravity circulation of the boiler water during the cooling cycle. It is highly recommended that the piping be insulated.

Air-Separation/Expansion Tank

All boilers should be equipped with a properly-sized expansion tank and air separator fitted at the highest point in system.

Primary/Secondary Piping

NOTE: All hot water heating systems have unique levels of operating diversity that must be accounted for in the system design. The system should always include adequate system flow in excess of the connected boiler flow for proper operation of the primary/secondary system. Where the system flow may drop below the connected boiler flow a buffer/decoupler may be needed. Failure to design for adequate flow (i.e. bypasses, 3-way control valves, flow-limiting balance devices, buffer tanks, etc.) will result in boiler short-cycling and may reduce boiler life. Always contact your local Raypak representative for system design assistance to avoid these issues.

Applications and Modes - Primary Secondary Piping

The VERSA IC® system is designed for a wide range of applications. The installer/design engineer should refer to the following Modes to determine which best fits the intended application and functionality for the unit being installed.

Type H models of XVers have three modes available to them to address the various applications the units can be applied to. For detailed information on the VERSA IC system, see the VERSA IC manual (241493). This manual can be found in the document library at www.raypak.com or can be viewed on your smart device. See QR Code on page 87.

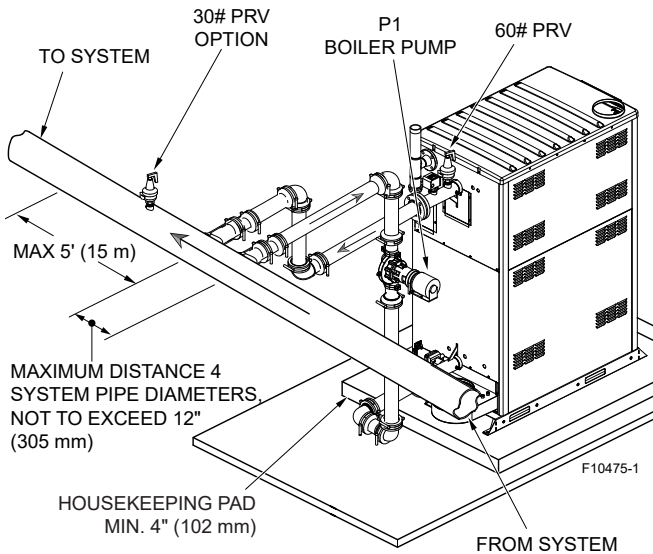


Figure 20. Hydraulic Primary/Secondary Piping

Mode 1

This mode selection is for hydronic heating systems with single or multiple boilers (refer to VERSA IC Manual [241493] for detailed Cascade operation) in primary/secondary piping configuration with or without Outdoor Air Reset (S4). See **Figure 21** and **Figure 22**. (Illustration shows 4 boilers for reference only).

The system temperature is controlled by the System Sensor (S3), which must be mounted less than 5 ft (1.5 m) downstream of where the boiler outlet returns to the system pipe. The Boiler Pump (P1) runs during any call-for-heat. The System Pump (P2) runs whenever the system is enabled for heating and the outdoor air temperature is lower than the warm weather shut down (WWSD) temperature setting (if utilized).

The Boiler Pump (P1) is delayed "Off" as user-defined in the BOILER menu and the System Pump (P2) is delayed "Off" in the ADJUST menu.

NOTE: In cascade configuration, the system pump and DHW pump (if applicable) outputs from each cascade member must be connected in parallel to activate the system pump and DHW pump during "limp-along" operation respectively. See VERSA IC Manual (241493) for detailed information.

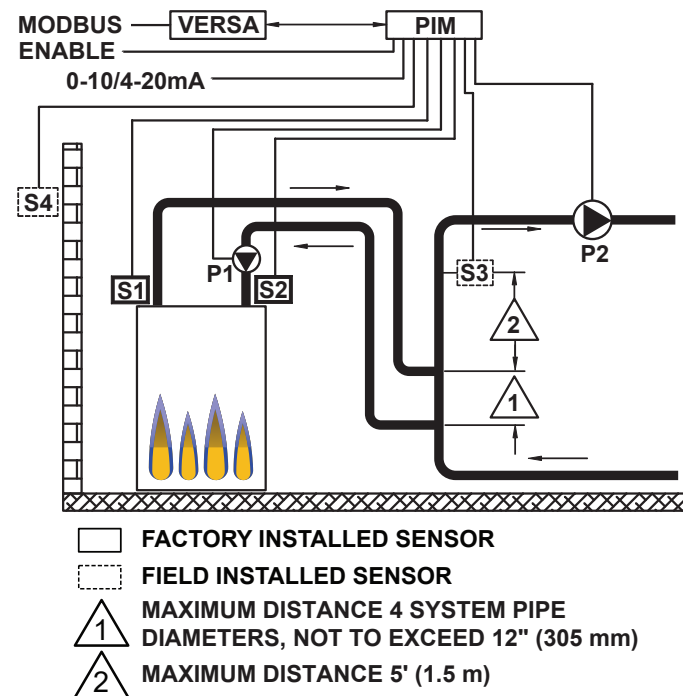


Figure 21. Mode 1 - Single Boiler with Primary/Secondary Piping

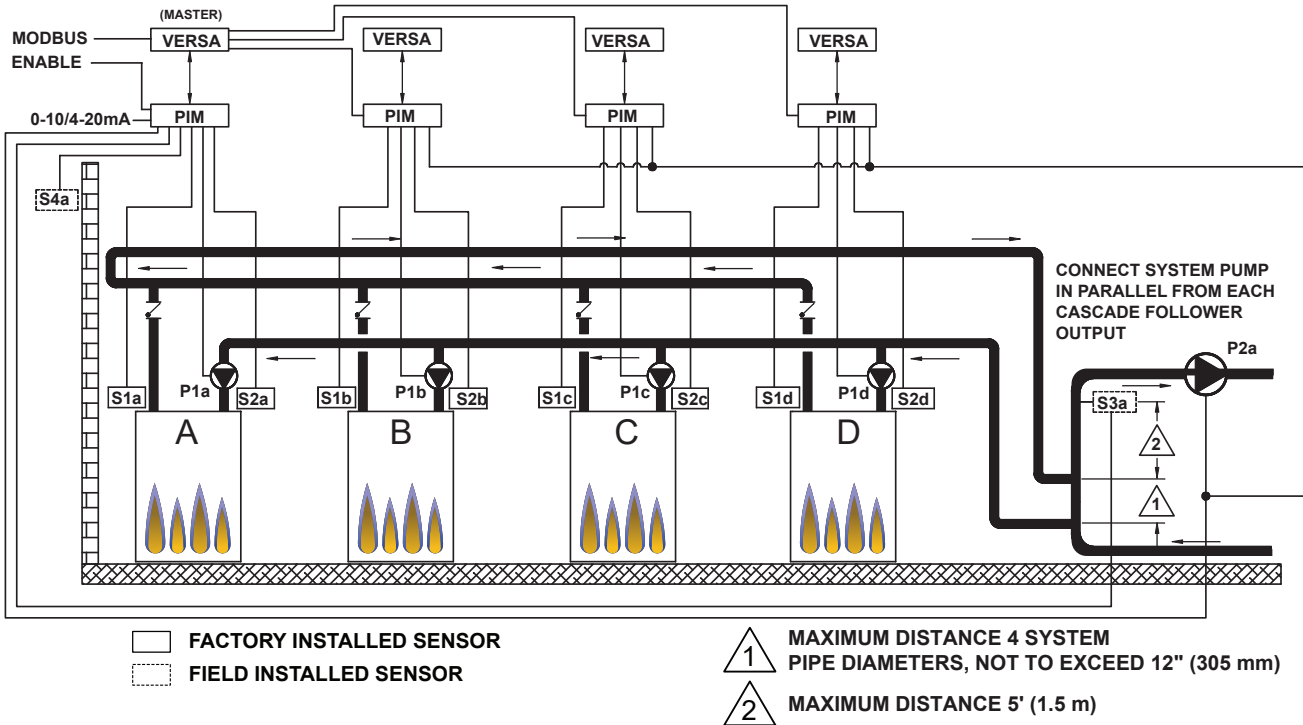


Figure 22. Mode 1 - Recommended Boiler Cascade with Primary/Secondary Piping

Mode 2

This mode selection is for hydronic heating systems with single or multiple boilers in primary/secondary piping configuration with or without Outdoor Air Reset (S4) with indirect DHW on the system loop (with or without priority). The system temperature is controlled by the System Sensor (S3), which must be mounted less than 5 ft (1.5 m) downstream of where the boiler outlet returns to the system pipe. The Indirect DHW Sensor (S5) determines the indirect call/tank setpoint. See Figure 23.

The system temperature is boosted to Target Max when using the Indirect DHW Sensor (S5) during an indirect call-for-heat. Priority mode toggles off the System Pump (P2) when an indirect call-for-heat is present. The Boiler Pump (P1) runs during any call-for-heat. The Indirect DHW Pump (P3) runs during an indirect call-for-heat with no "Off" delay.

The Boiler Pump (P1) is delayed "Off" as user-defined in the BOILER menu and the System Pump (P2) is delayed "Off" in the ADJUST menu. The System Pump (P2) runs whenever the system is enabled for heating and the outdoor air temperature is lower than the WWSD temperature setting (if utilized) unless an indirect call-for-heat is present with priority.

NOTE: In cascade configuration, the system pump and DHW pump (if applicable) outputs from each cascade member must be connected in parallel to activate the system pump and DHW pump during "limp-along" operation respectively. See VERSA IC Manual (241493) for detailed information.

NOTE: See VERSA IC Manual (241493) for more information on cascade systems.

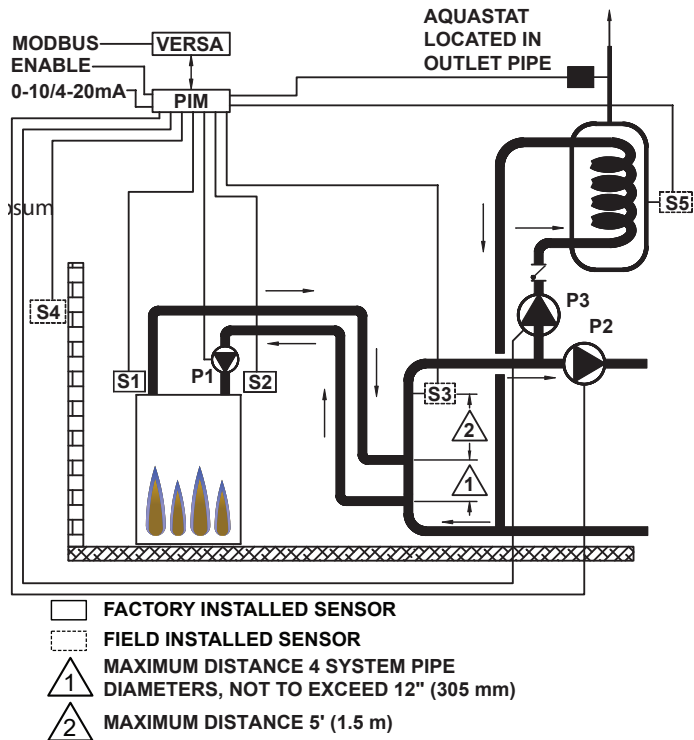


Figure 23. Mode 2 - Single Boiler with Indirect on System Loop - Primary/Secondary Piping

Mode 3

This mode selection is for hydronic heating systems with single or multiple boilers in primary/secondary piping configuration with or without Outdoor Air Reset (S4) with indirect DHW on the boiler loop (with priority). See **Figure 24**.

The system temperature is controlled by the Supply Sensor (S3) whenever the indirect call-for-heat is not active. The S3 sensor must be mounted less than 5 ft (1.5 m) downstream of where the boiler outlet returns to the system pipe. The DHW Supply Sensor (S5) determines the indirect call/tank setpoint. During an indirect call-for-heat the boiler firing rate is determined by the water temperature at the Indirect Supply Sensor (S6) and the Target Max setting when using the Indirect DHW sensor (S5).

The Boiler/Injection Pump (P1) runs during all heat calls regardless of priority. The Indirect DHW Pump (P3) runs during an indirect call-for-heat with no “Off” delay.

The Boiler/Injection Pump (P1) is delayed “Off” as user-defined in the BOILER menu and the System Pump (P2) is delayed “Off” in the ADJUST menu.

The System Pump (P2) runs whenever the system is enabled for heating and the outdoor air temperature is lower than the warm weather shut down (WWSD) temperature setting (if utilized) unless an indirect call-for-heat is present.

NOTE: In cascade configuration, the system pump and DHW pump (if applicable) outputs from each cascade member must be connected in parallel to activate the system pump and DHW pump during “limp-along” operation respectively. See VERSA IC Manual (241493) for detailed information.

NOTE: A Tank Aquastat can be used in lieu of the Indirect DHW Sensor (S5). See VERSA IC Manual (241493) for additional details.

NOTE: See VERSA IC Manual (241493) for more information on cascade systems.

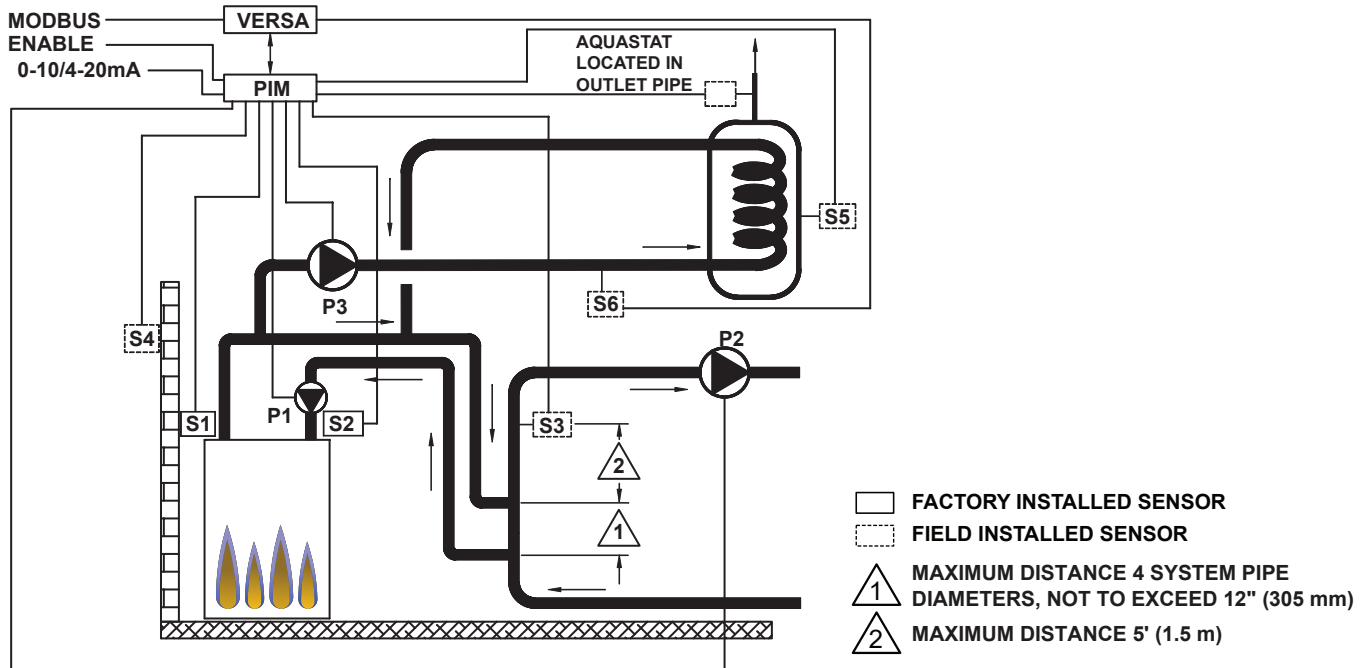


Figure 24. Mode 3 - Single Boiler with Indirect on Boiler Loop Primary/Secondary Piping

Applications and Modes - Primary Piping

The VERSA IC system is designed for a wide range of applications. The installer/design engineer should refer to the following Modes to determine which best fits the intended application and functionality for the unit being installed. XVers boilers have two operational modes available to them to address the various applications the units can be applied in Primary Piping configurations.

NOTE: Ensure PIM DIP#3 = OFF when isolation valves used on Primary Systems.

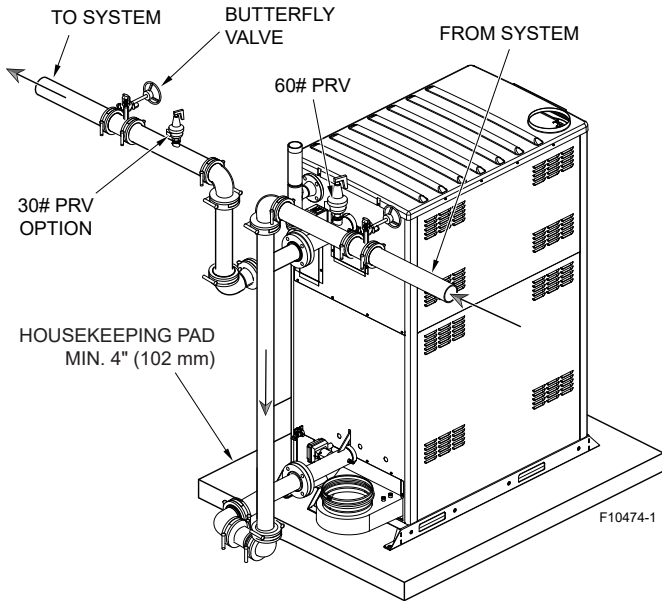


Figure 25. Hydronic Primary Piping

Mode 1

This mode selection is for hydronic heating systems with single or multiple boilers in primary piping configuration with or without Outdoor Air Reset (S4). See **Figure 26** and **Figure 27**. (Illustration shows 4 boilers for reference only).

For Single Boiler systems under primary piping configuration, the Outlet sensor (S1) can be used in lieu of the System Sensor (S3), although when S3 is connected the XVers will use it for the system temperature. The isolation valve (V1) is expected to operate as a spring-open actuator. To close (turn OFF) the Isolation Valve (V1) the control applies power, to open (turn ON) the Isolation Valve (V1) the control will remove power to the isolation Valve (V1).

The Isolation Valve (V1) opens during any call-for-heat. The System Pump (P2) runs whenever the system is enabled for heating and the outdoor air temperature is lower than the warm weather shut down (WWSD) temperature setting (if utilized).

The Isolation Valve (V1) is delayed "OFF" as user-defined in the BOILER menu (Post purge) and the System Pump (P2) is delayed "OFF" in the ADJUST menu.

NOTE: In cascade configuration the system pump and DHW pump (if applicable) outputs from each cascade member must be connected in parallel to activate the system pump and DHW pump during "limp-along" operation respectively. See VERSA IC Manual (241493) for detailed information.

NOTE: See VERSA IC Manual (241493) for more information on cascade systems.

WARNING: In the rare event all units are down due to the lack of communication or other major fault conditions, the cascade system will override the minimum isolation valve open setting which will result in all isolation valves in the cascade system commanded "closed". To avoid dead-heading the system pump, it is strongly suggested to implement one of the three methods depicted in Figures 27, 28, and 29.

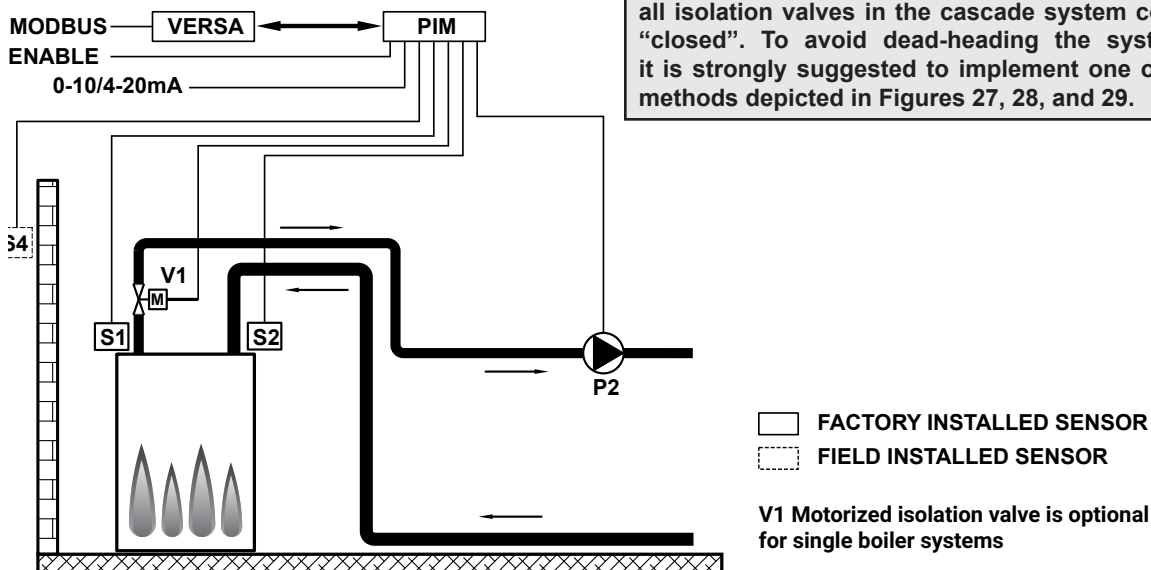


Figure 26. Mode 1 - Single Boiler with Primary Piping

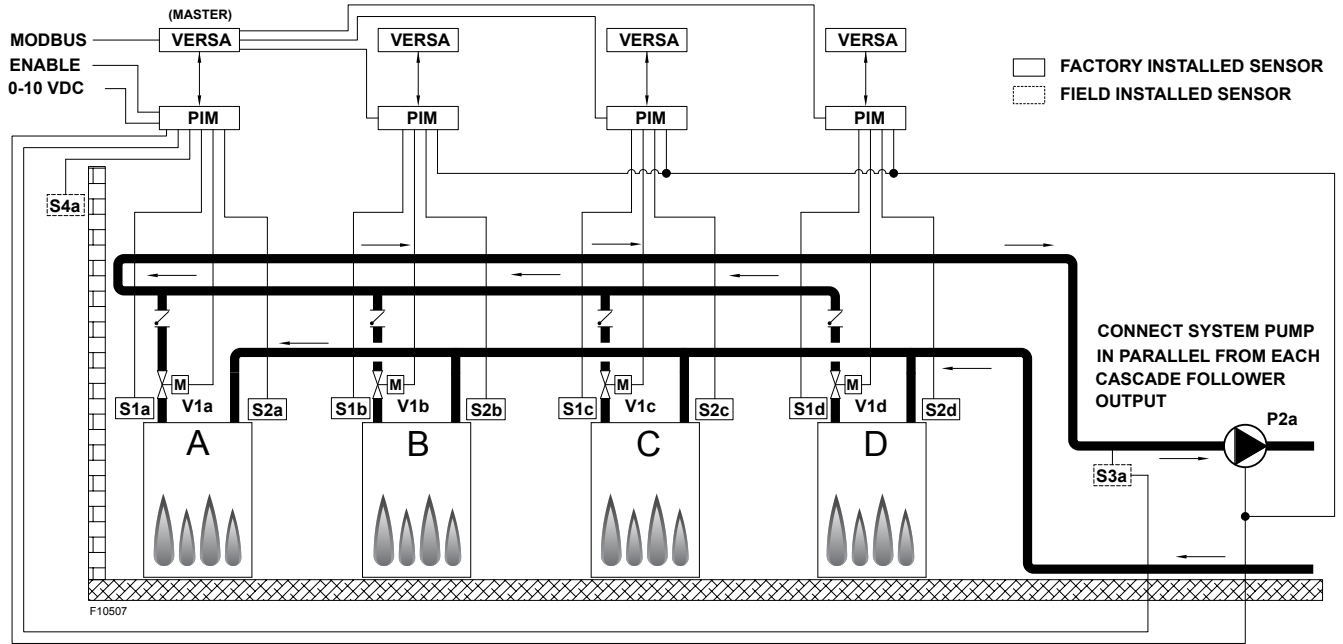


Figure 27. Mode 1 - Recommended Boiler Cascade with Primary Piping

NOTE: XVers boilers are equipped with a “pilot duty” dry contact to enable the system pump (P2a). In a cascade configuration it is recommended that all system pump outputs from each unit are connected in parallel to ensure proper operation of the system pump whenever flow path is present. Other piping arrangement and electrical configurations are suggested when it is not possible to synchronize the system pump operation with the boilers operation.

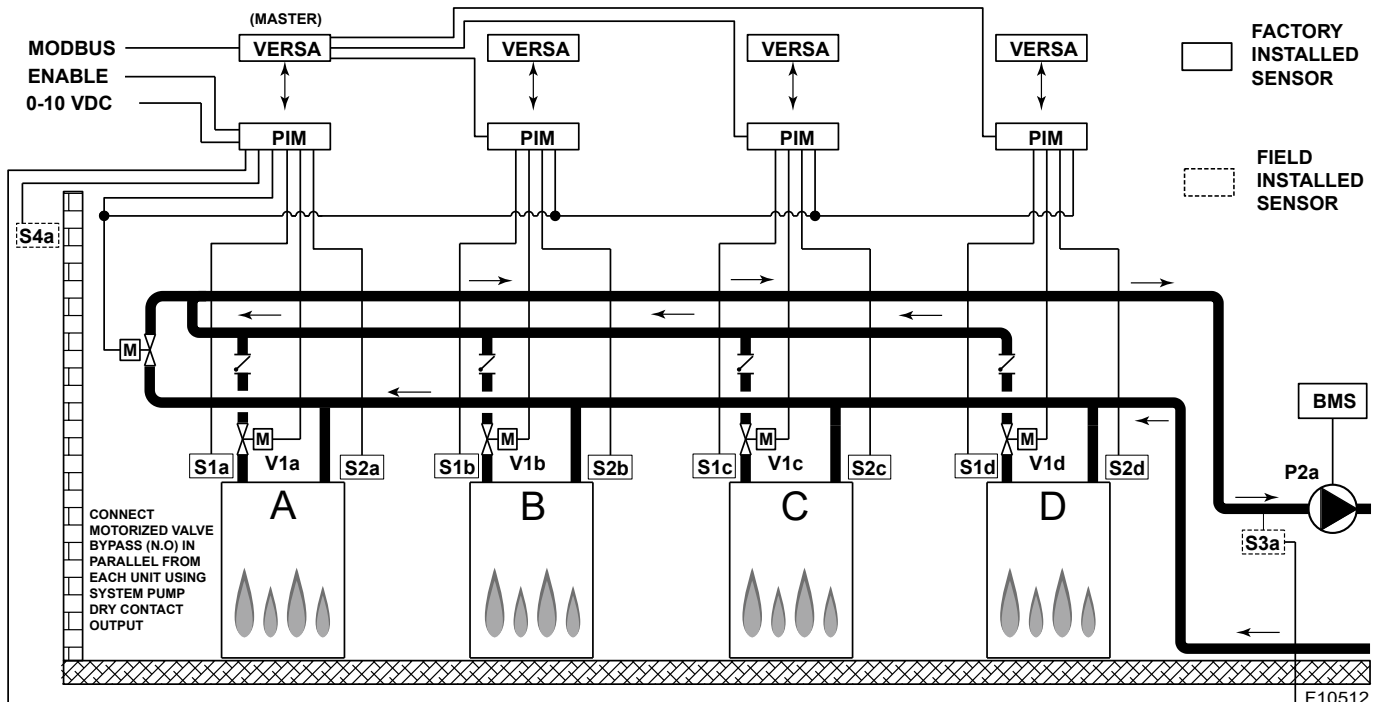


Figure 28. Boiler Cascade With Motorized Bypass Valve

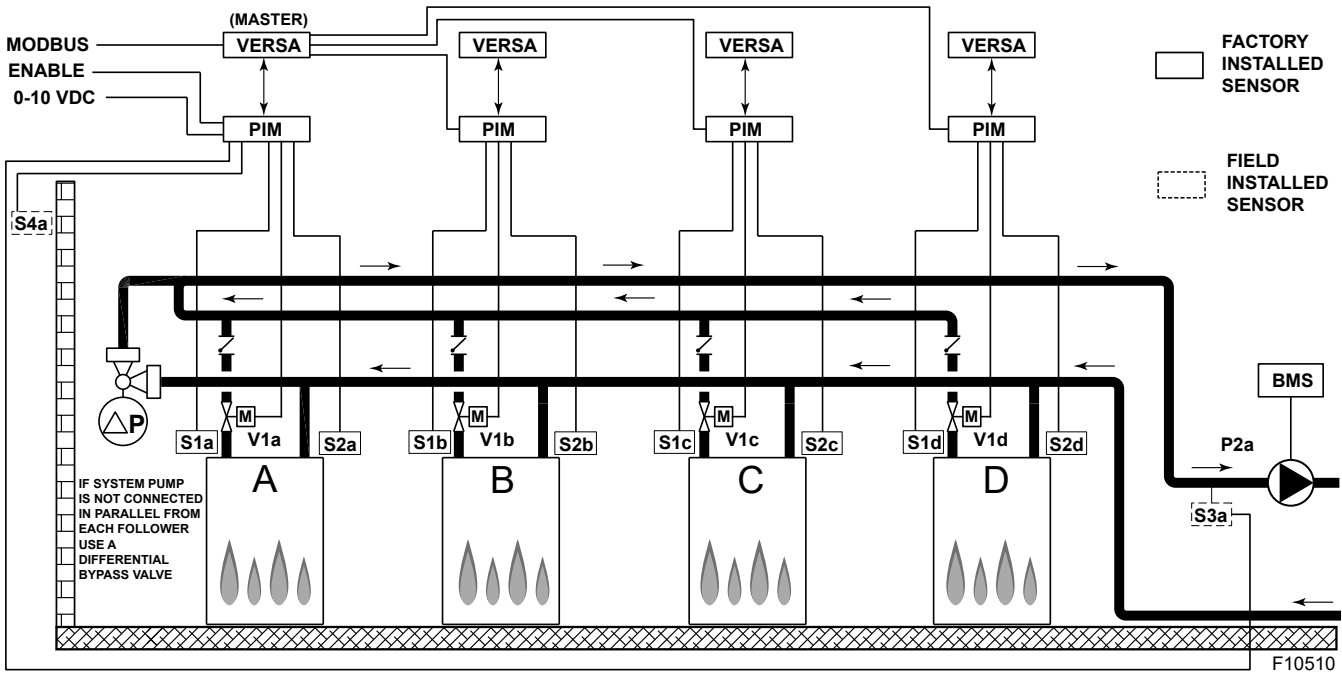


Figure 29. Boiler Cascade with Pressure Differential Bypass Valve - Primary Piping

Mode 2

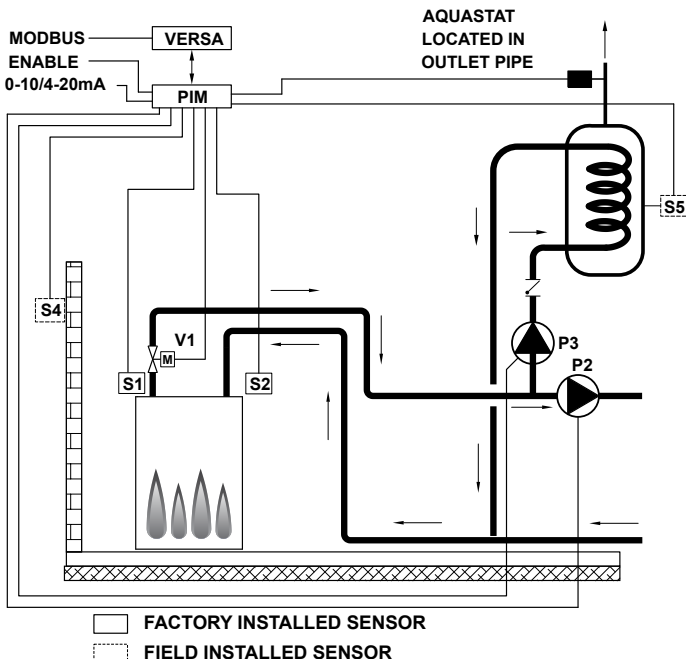
This mode selection is for hydronic heating systems with single or multiple boilers in primary piping configuration with or without Outdoor Air Reset (S4) and with indirect DHW on the system loop (with or without priority). See **Figure 30**.

For Single Boiler systems under primary piping configuration, the Outlet Sensor (S1) can be used in lieu of the System Sensor (S3), although when S3 is connected the XVers will use it for the system temperature. The Indirect DHW Sensor (S5) determines the indirect call/tank setpoint. The system temperature is boosted to Target

Max when using the Indirect DHW Sensor (S5) during an indirect call-for-heat. Priority mode toggles off the System Pump (P2) when an indirect call-for-heat is present.

The Isolation Valve (V1) is expected to operate as a spring-open actuator. To close (turn OFF) the Isolation Valve (V1) the control applies power. To open (turn ON) the Isolation Valve (V1) the control will remove power to the isolation Valve (V1). The Isolation Valve (V1) opens during any call-for-heat. The Indirect DHW Pump (P3) runs during an indirect call-for-heat with no "OFF" delay.

The Isolation Valve (V1) is delayed "OFF" as user-defined in the BOILER menu (Post purge) and the System Pump (P2) is delayed "OFF" in the ADJUST menu. The System Pump (P2) runs whenever the system is enabled for heating and the outdoor air temperature is lower than the WWSD temperature setting (if utilized) unless an indirect call-for-heat is present with priority.



NOTE: In cascade configuration, the system pump and DHW pump (if applicable) outputs from each cascade member must be connected in parallel to activate the system pump and DHW pump during "limp-along" operation respectively. See VERSA IC Manual (241493) for detailed information.

NOTE: See VERSA IC Manual (241493) for more information on cascade systems.

Figure 30. Mode 2 - Single Boiler with Indirect - Primary Piping

Automatic Chemical Feeders

All chemicals must be completely diluted into the water before being circulated through the boiler. High chemical concentrations will result when the pump is not running (e.g. overnight).

⚠ CAUTION: Combustion air must not be contaminated by corrosive chemical fumes which can damage the boiler and void warranty.

⚠ CAUTION: High chemical concentrations from feeders that are out of adjustment will cause rapid corrosion to the heat exchanger. Such damage is not covered under the warranty.

CAUTION: Failure of a heat exchanger due to lime scale build-up on the heating surface, low pH, or other chemical imbalance is not covered under the warranty.

Gas Supply

⚠ DANGER: Make sure the gas on which the boiler will operate is the same type as specified on the boiler's rating plate.

⚠ CAUTION: Fuel grades of other than HD-5 Propane or Natural Gas (980-1080 BTU/ft³) will require adjustments, please contact the factory.

A pounds-to-inches regulator of the lock-up type must be installed to reduce the gas supply pressure if it is higher than 10.5" WC for natural gas or 13" WC for propane gas.

This regulator should be installed following the regulator manufacturers instructions refer to **Table L** for maximum pipe lengths.

Gas Supply Connection

The boiler is shipped with a plastic cover over the boiler gas connection. Remove the four (4) bolts and discard the plastic cover.

NOTE: DO NOT discard the bolts as they are needed to install the sediment trap.

The boiler is shipped with a sediment trap (dripleg and flanged disconnect) and flange gasket loose in parts carton. These must be installed with dripleg facing down before connecting gas supply to the boiler. See **Figure 31**.

⚠ CAUTION: Ensure supplied gasket is used between dripleg and gas connection on boiler. Use bolts provided.

A manual shutoff valve located outside the boiler jacket is required to be field supplied.

⚠ CAUTION: The boiler must be disconnected from the gas supply during any pressure testing of the gas supply system at test pressures in excess of 1/2 psi (3.45 kPa).

MODEL NO.	MAXIMUM EQUIVALENT LENGTH (FT / M)											
	1-1/4" NPT		1-1/2" NPT		2" NPT		2-1/2" NPT		3" NPT		4" NPT	
	NAT	PRO	NAT	PRO	NAT	PRO	NAT	PRO	NAT	PRO	NAT	PRO
0856	40 (12)	60 (18)	55 (17)	125 (38)	175 (53)	450 (135)						
1006	35 (11)	55 (17)	50 (15)	90 (27)	125 (38)	300 (91)	300 (91)					
1256	15 (5)	25 (8)	25 (8)	60 (18)	85 (26)	225 (69)	200 (61)	300 (91)	560 (171)			
1506	10 (3)	15 (5)	15 (5)	25 (8)	60 (18)	150 (46)	150 (46)	275 (84)	400 (122)			
1756					45 (14)	110 (34)	115 (35)	230 (70)	340 (104)			
2006					35 (11)	90 (27)	85 (26)	210 (64)	260 (79)			
2506							55 (17)	135 (41)	160 (48)	400 (122)	600 (183)	
3006							40 (12)	85 (26)	120 (37)	250 (76)	500 (152)	

Natural gas - 1,000 btu/ft³, 0.60 specific gravity at 0.5" W.C. pressure drop

Propane gas - 2,500 btu/ft³, 1.53 specific gravity at 0.6" W.C. pressure drop

Lengths based on Sched 40 BIP - for other materials consult local codes

Table L. Gas Supply Piping

The boiler must be isolated from the gas supply piping system by closing the upstream manual shutoff valve during any pressure testing of the gas supply piping system at test pressures equal to or greater than 1/2 psi (3.45 kPa). Relieve test pressure in the gas supply line prior to re-connecting the boiler and its manual shutoff valve to the gas supply line. **FAILURE TO FOLLOW THIS PROCEDURE MAY DAMAGE THE GAS VALVE.** Over-pressurized gas valves are not covered by warranty. The boiler and its gas connections shall be leak-tested before placing the appliance in operation. Use soapy water for leak test. DO NOT use an open flame.

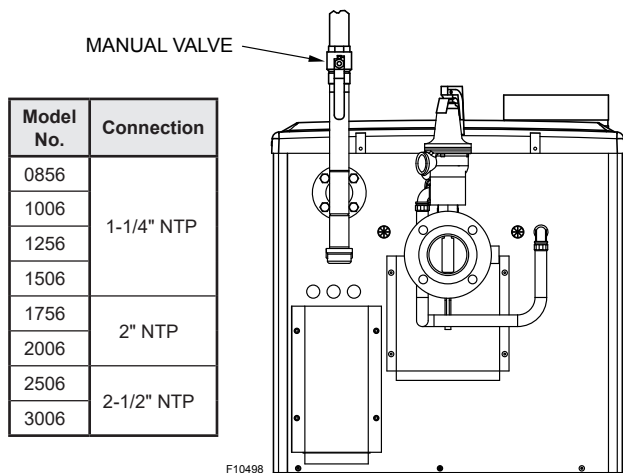


Figure 31. Gas Supply Connection

CAUTION: Only sealant tape or a pipe compound rated for use with natural and propane gases is recommended. Apply sparingly only on male pipe ends, leaving the two end threads bare.

CAUTION: Support gas supply piping with hangers, not by the boiler or its accessories. Make sure the gas piping is protected from physical damage and freezing, where required.

Gas Supply Pressure

A minimum of 4" WC and a maximum of 10.5" WC gas pressure is required under load and no-load conditions for natural gas at the boiler. A minimum of 4" WC and a maximum of 13" WC is required for propane gas at the boiler. The gas pressure regulator(s) supplied on the boiler is for low-pressure service. If upstream pressure exceeds these values, an intermediate gas pressure regulator, of the lockup type, must be installed.

When connecting additional gas utilization equipment to the gas piping system, the existing piping must be checked to determine if it has adequate capacity for the combined load.

CAUTION: For proper operation, no more than a 30% drop in gas supply pressure from no-load to full-load conditions is acceptable. Under no circumstances should the pressure be outside the listed operational range.

Electrical Power Connections

WARNING: Boiler is designed to accept several different supply voltages - changes to wiring in boiler Power Supply Box **MAY** be required when using other voltages. See details in "Multiple Voltage Configurations" on page 27.

WARNING: Electrical power connection **must** be performed by qualified licensed electrician(s) for the voltage being applied.

Installations must follow these codes:

- National Electrical Code and any other national, state, provincial or local codes or regulations having jurisdiction.
- Safety wiring must be NEC Class 1.
- Heater must be electrically grounded as required by the NEC.
- In Canada, CSA C22. 1 C.E.C. Part 1.

NOTE: A 115VAC (5A Max.) outlet is provided on the bottom of the Junction Box for general use.

Before starting the boiler, check to ensure proper voltage to the boiler.

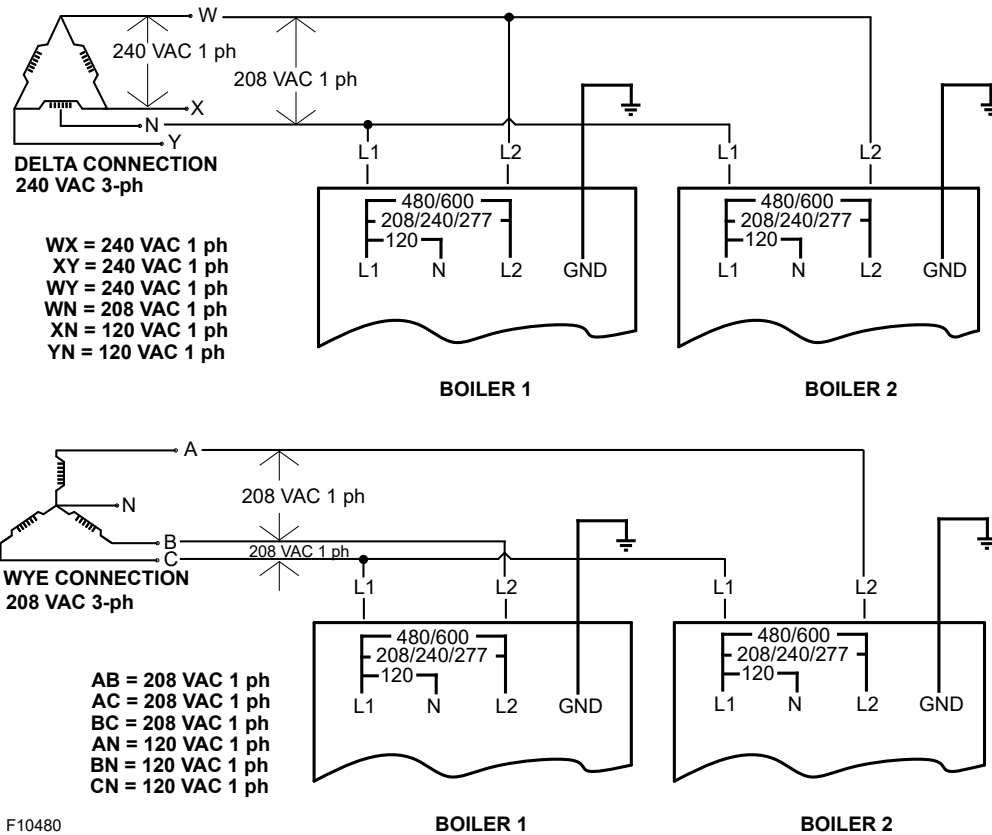
Pumps (if used) must use a separate power supply and run the power through a field-supplied contactor. Use appropriately-sized wire as defined by NEC, CSA and/or local codes. All primary wiring should be 125% of minimum rating.

If any of the original wire as supplied with the boiler must be replaced, it must be replaced with 105°C wire or its equivalent.

All high voltage wiring connections to the XVers boiler are made inside the rear wiring box as shown in **Figure 32** and **Figure 33**. There are three factory-supplied interlock relays in the rear wiring box to provide an enable signal via dry contact (5A max) for the Boiler Pump/Isolation Valve, System Pump, and Indirect DHW Pump as required for the system depending on the mode selected within the VERSA IC system.

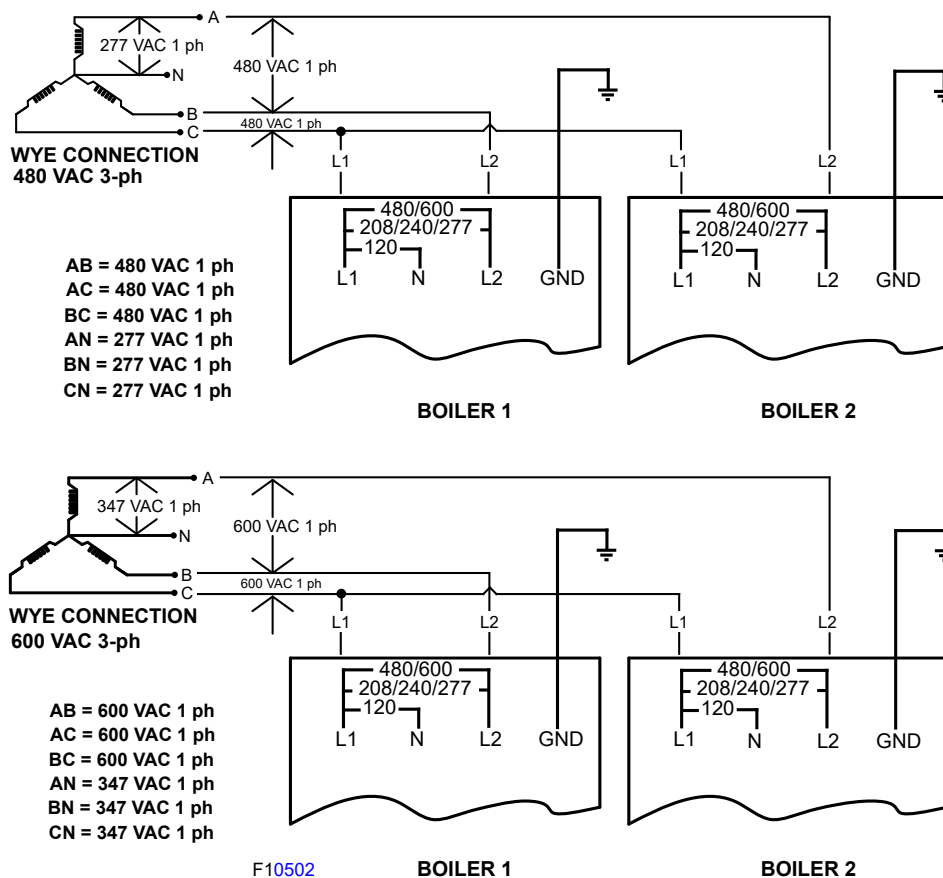
Model No.	Boiler Amp Draw					
	120VAC	208VAC	240VAC	277VAC	480VAC	600VAC
0856	<12A					
1006						
1256						
1506						
1756	<17A	<15A	<13A			
2006						
2506						
3006						

Table M. Expected Boiler Amp Draw



F10480

Figure 34. Delta and WYE Electrical Connections for 120/208/240 VAC



F10502

600VAC connections are made in the field. Not offered as factory-wired.

Figure 35. WYE Electrical Connections for 277/480/600 VAC

Making the Electrical Connections

1. Verify that circuit breaker is properly sized by referring to boiler rating plate. A dedicated circuit breaker shall be provided.
2. Observe proper wire colors while making electrical connections. Many electronic controls are polarity sensitive. Components damaged by improper electrical installation are not covered by warranty.
3. Provide overload protection and a disconnect means for equipment serviceability as required by local and state code.
4. Conduit shall not be used as the earth ground.

NOTE: A grounding electrode conductor shall be used to connect the equipment grounding conductors, the equipment enclosures, and the grounded service conductor to the grounding electrode.

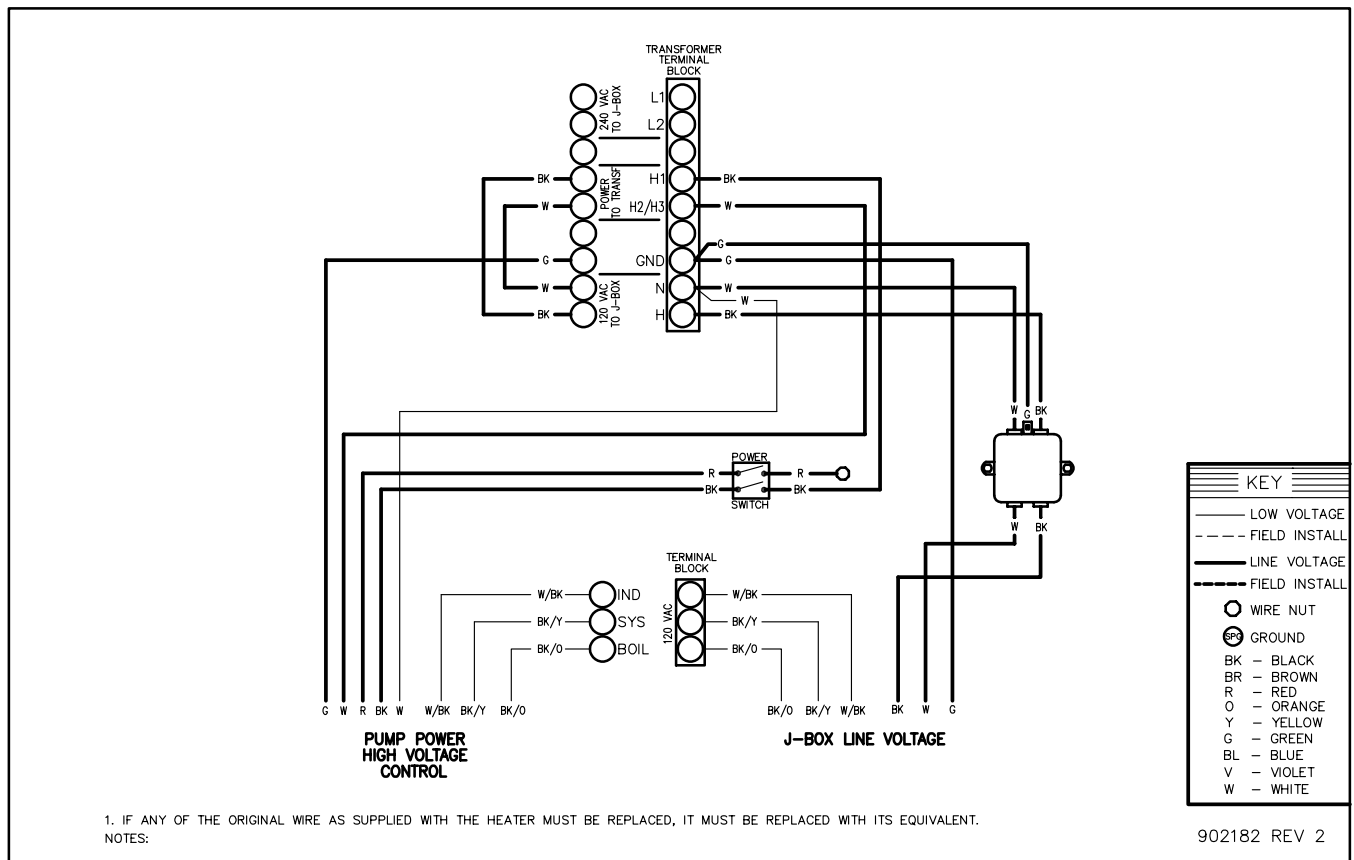


Figure 36. Wiring Diagram Transformer 120 VAC Standard on 856-1506, Optional on 1756-3006

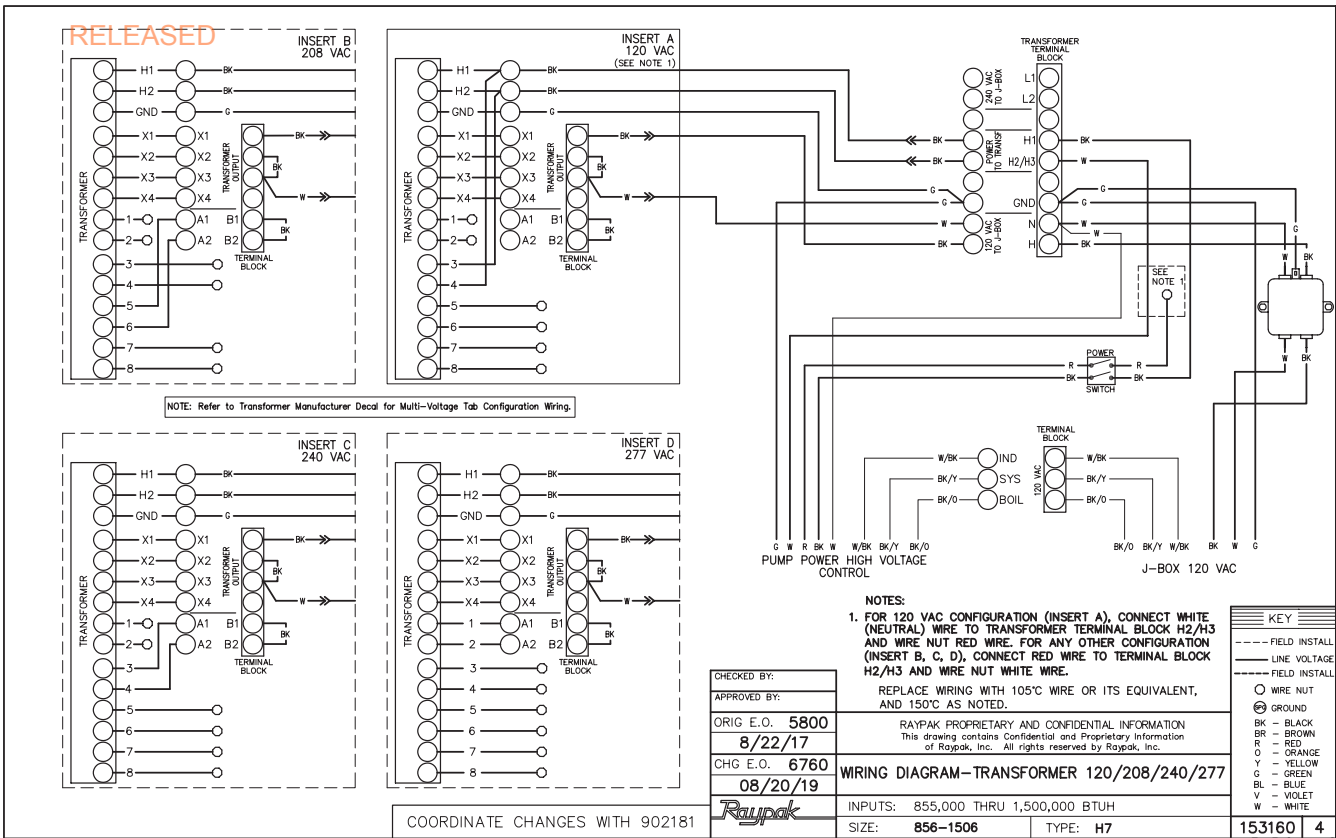


Figure 37. Wiring Diagram Transformer 120/208/240/277 VAC for Models 0856-1506

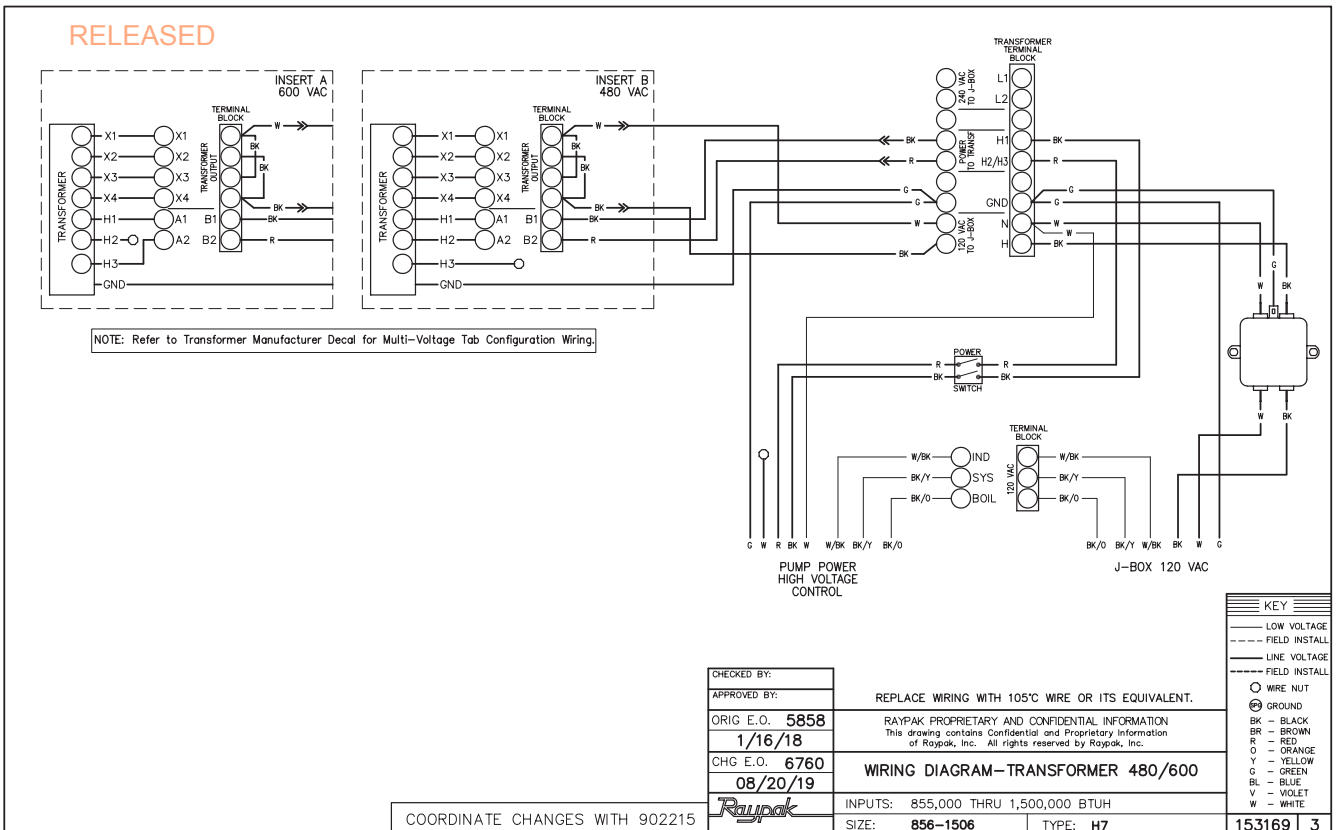


Figure 38. Wiring Diagram Transformer 480/600 VAC for Models 0856-1506

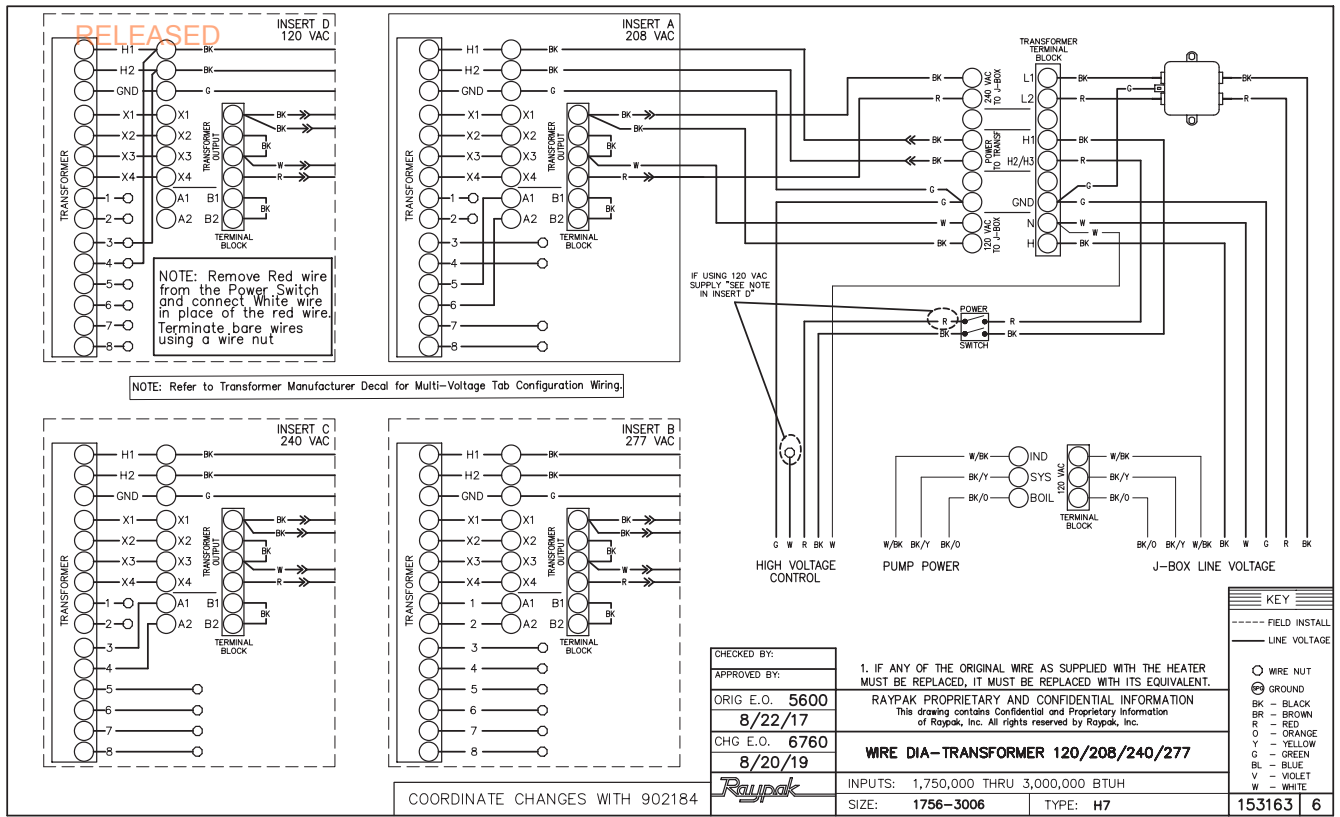


Figure 39. Wiring Diagram Transformer 208/240/277 VAC for Models 1756-3006

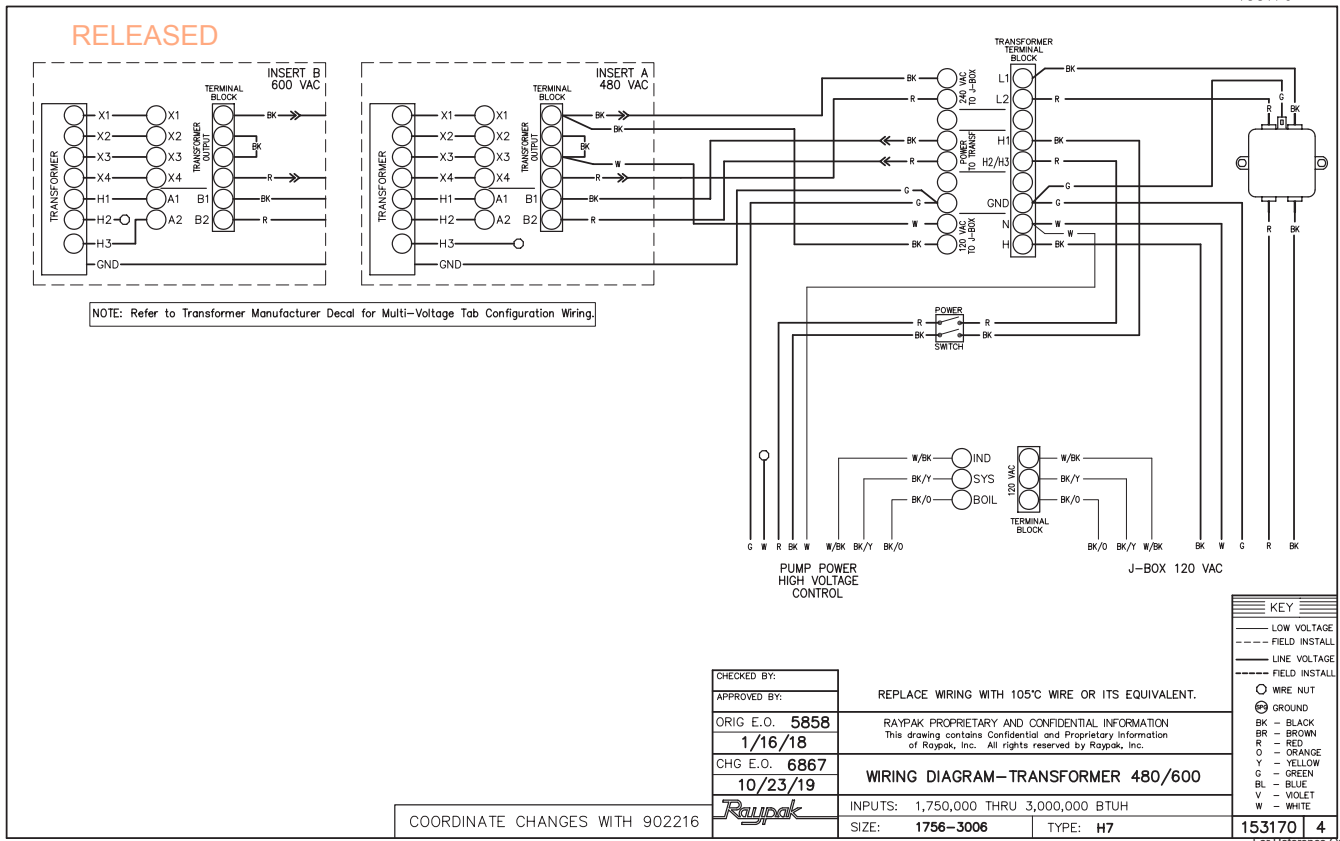


Figure 40. Wiring Diagram Transformer 480/600 VAC for Models 1756-3006

Field Connected Devices

Field Wiring Connection

Field-Connected Devices

It is strongly recommended that all individually-powered control modules and the boiler should be supplied from the same power source.

Install boiler controls, thermostats, or building management systems in accordance with the applicable manufacturers' instructions.

⚠ DANGER: SHOCK HAZARD

NOTE: Minimum 18 AWG, 105°C, stranded wire must be used for all low voltage (less than 30 volts) external connections to the boiler. Solid conductors should not be used because they can cause excessive tension on contact points. Install conduit as appropriate. All high voltage wires must be the same size (105°C, stranded wire) as the ones on the unit or larger.

⚠ CAUTION: Label all wires prior to disconnection when servicing controls. Wiring errors can cause improper and dangerous operation. Verify proper operation after servicing.

Make sure electrical power to the boiler is disconnected to avoid potential serious injury or damage to components.

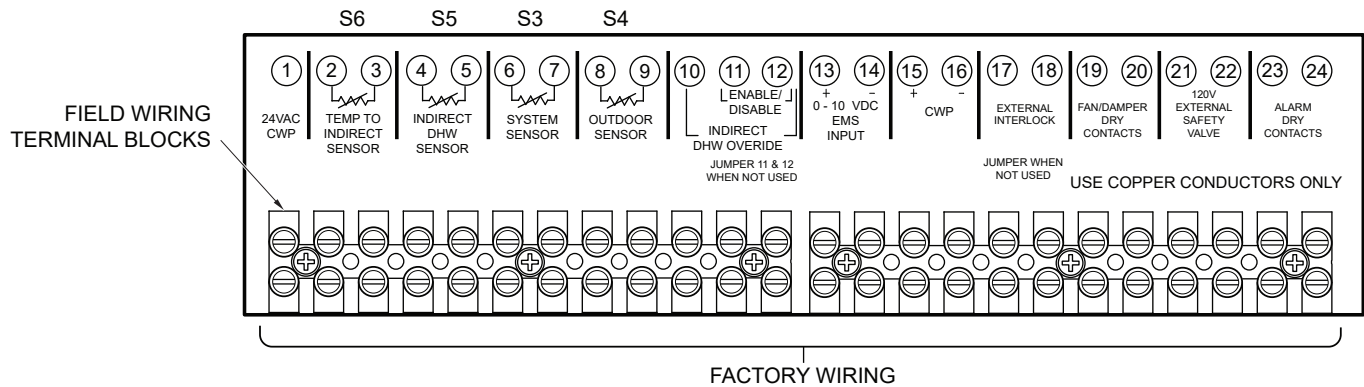


Figure 41. Low-Voltage Field Wiring

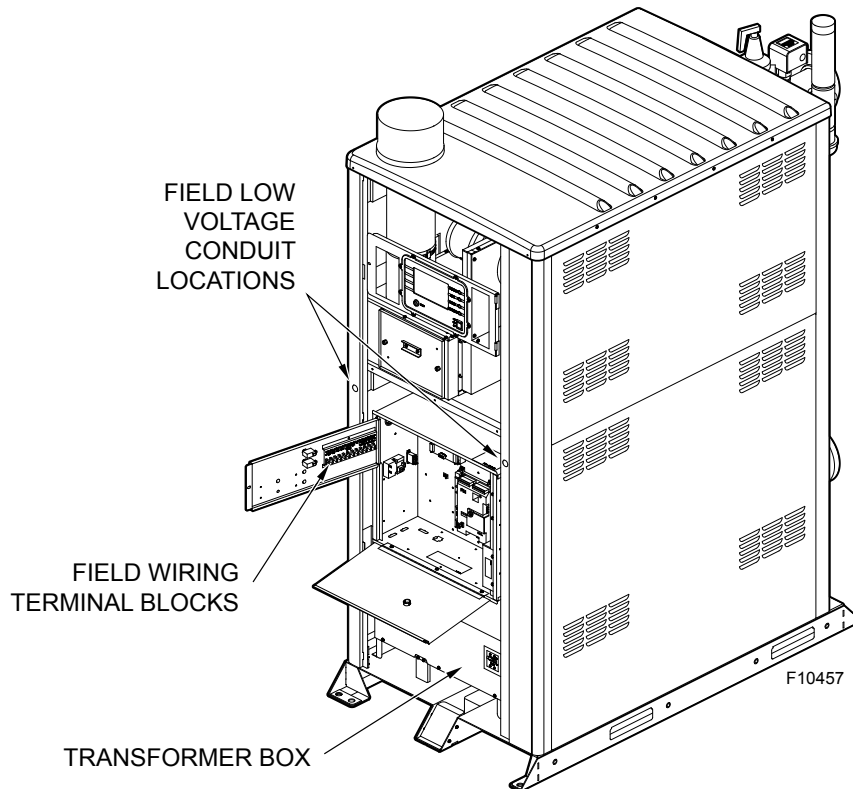


Figure 42. Low-Voltage Wiring/Transformer Box

Wiring the Optional 0–10 Volt Building Control Signal

1. A signal from an energy management system may be connected to the XVers boiler. This signal should be a 0-10 volt positive DC signal. The energy management system can be used to control either the setpoint temperature of a single XVers or a cascade configuration (refer to the VERSA IC Manual [241493] for details) or the firing rate of a single XVers boiler.
2. To enable this remote control function, set DIP switch 5 to the UP position on the PIM. DIP switch 5 Toggles between an EMS (UP) signal or a demand signal from the VERSA (DOWN). DIP switch 2 on the PIM toggles between a Direct Drive (UP) input and a Target Temperature (DOWN) setpoint.
3. For a 4-20mA application, refer to the VERSA IC Manual (241493).
4. Connect an Energy Management system or other auxiliary control signal to the terminals marked 0-10V (+/-) on the field wiring terminals. See **Figure 41**. Caution should be used to ensure that the +0-10V connection does not create a short to ground.
5. Contact closure across the Enable/Disable connection is required for boiler operation in this configuration.

CAUTION: Ensure that the +0-10V connection does not create a short to ground. +0-10V signal is polarity sensitivity and must not be reversed. +0-10VDC signal must not exceed 10VDC.

Wiring the Enable/Disable

Connect the Enable/Disable (terminals 11, 12) wiring to the field wiring terminals as shown in **Figure 41** and in place of the factory installed jumper. Alternately, any dry contact closure (including a remote thermostat) across these terminals will enable the XVers boiler to run.

CAUTION: Ensure neither of the terminals are shorted to ground.

The 3-position rocker switch (adjacent to the touchscreen user interface) must be in the "RUN" position for the boiler to operate when enabled.

CAUTION: The Enable/Disable signal may be overridden when the VERSA control is configured for MODBUS "TEMP" or "RATE". Disable MODBUS prior to servicing the boiler.

Wiring the System Sensor (S3)

NOTE: The System Sensor is not required for single unit Primary piping configuration.

The S3 sensor is required for all Primary/Secondary and all cascade configurations for all selectable modes unless the unit's firing rate will be controlled by an external source, such as our TempTracker MOD+ Hybrid sequencer. Proper placement and method of installation are critical for proper operation of the system. See "Applications and Modes," sections on **page 19** or **page 22** as applicable.

1. When using a System Sensor, connect the sensor wires to the terminals marked (6, 7) SYSTEM SENSOR. See **Figure 41**.
2. Use a minimum of 18 AWG stranded wire for runs up to 150' (46 m).
3. Install the system sensor in a drywell (option B-31) within 5 feet (1.5 m) downstream of the de-coupler (primary/secondary system) or last boiler (primary). See **Figure 18** or **Figure 19** as appropriate.

Wiring the Outdoor Air Sensor (S4)

1. If using an Outdoor Air Sensor, connect the sensor wires to the terminals (8 & 9) marked OUTDOOR AIR SENSOR. See **Figure 41**.

CAUTION: Ensure sensor wiring is not shorted to ground.

2. Use a minimum 18 AWG stranded wire for runs of up to 150 feet (46 m).
3. Mount the outdoor air sensor on an exterior surface of the building, preferably on the north or west facing side in an area that will not be affected by direct sunlight.

Variable-Speed Pump Signal

The XVers products are equipped with an analog output that is proportional to the firing rate of the boiler. This 0-20mA signal is intended to be used for an external Variable-Speed pump as part of a Primary/Secondary piping system. See **Figure 43**.

This output can also be configured for 0-10 VDC using an appropriate resistor connected in parallel between the output terminals. Easy access to the terminals can be found at the rear of the unit in the wiring box. See **Figure 3**.

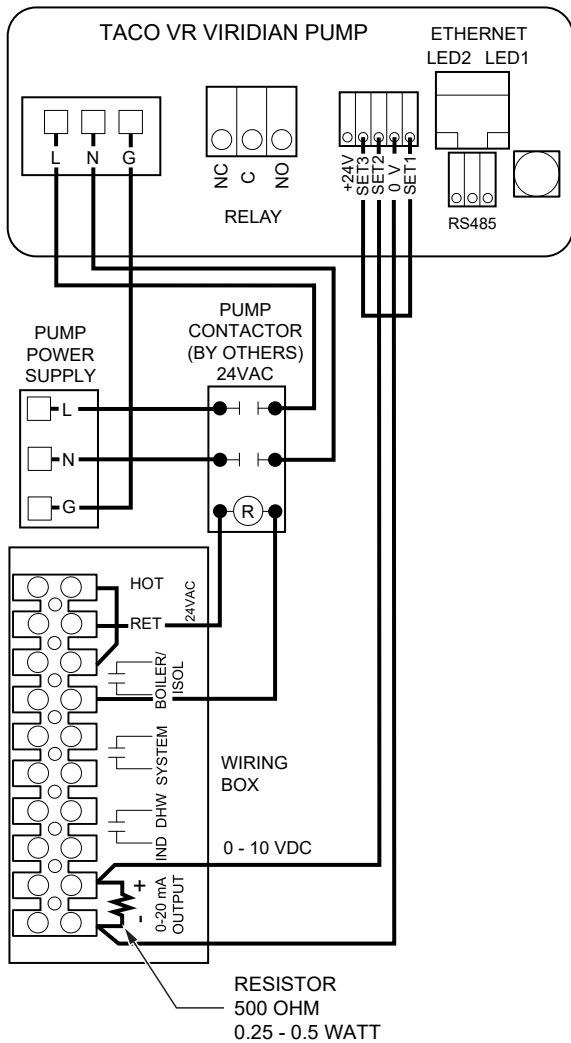


Figure 43. VS Pump Wiring Diagram

Wiring a Boiler Pump

When applicable, connect the boiler pump enable wiring to the field-wiring terminal block inside the junction box. The connections are dry contacts rated for pilot duty only (5A maximum). See Figure 44 for details.

NOTE: Follow same wiring for single boiler and standalone system pump operation using "system pump dry contacts".

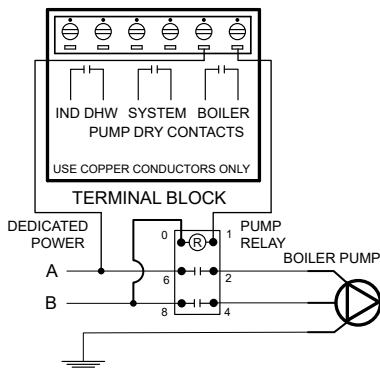


Figure 44. Boiler Pump Wiring

Wiring the Indirect DHW Sensor (S5) (Optional)

Connect the indirect tank sensor to the terminals (4 & 5) marked INDIRECT DHW SENSOR. See Figure 41. Caution should be used to ensure neither of these terminals becomes connected to ground. When using an indirect DHW Sensor to control tank temperature, contact closure is required across the indirect override connections for proper operation.

NOTE: Alternately, a thermostat contact closure can be used in lieu of the sensor for indirect operation. Connect the thermostat to the terminals (10 & 12) marked INDIRECT DHW OVERRIDE.

When the Indirect DHW call-for-heat is active, the PIM communicates this to the VERSA. The VERSA calculates the optimal operation and sends the firing rate and pump output requests to the PIM so it can activate the Indirect DHW Pump and Boiler Pump as needed. If optional Indirect DHW Sensor is connected, the PIM will pass this signal to the VERSA. This allows the VERSA to optimize the Indirect DHW demand to maintain the Indirect DHW setpoint. The Indirect DHW thermostat switch closure is still required when using the Indirect DHW Sensor. If a VERSA is not present the PIM shall activate the Indirect DHW pump whenever the Indirect DHW call is active. The Boiler pump will also be activated based on the Indirect DHW piping configuration setting.

CAUTION: Sensor and control wiring must NOT be run in chases with line voltage.

CAUTION: To prevent an over-temperature condition from occurring in the indirect DHW system during "limp-along" operation, set PIM operator dial to be equal to DHW Target temperature. See VERSA IC Manual (241493) for more information on "limp-along" operation.

Wiring the Temp to Indirect Sensor (S6) (Optional)

The S6 sensor is used in mode 3 only. Connect the S6 sensor to terminals (2 & 3Z) marked TEMP TO INDIRECT SENSOR. See Figure 41. Caution should be used to ensure neither of these terminals becomes connected to ground.

Wiring the Cascade System - Communication Bus

Refer to VERSA IC Manual (241493) for details on Cascade wiring and communication setup.

Cascade System Pump and Sensor Wiring

1. On the boiler designated as the Master, connect the system pump enable wiring to the field-wiring terminal block inside the junction box. The connections are dry contacts rated for pilot duty only (5A maximum).
2. Connect the system supply sensor to terminals 6 and 7 on the field wiring strip located on the Master boiler. See **Figure 41**.

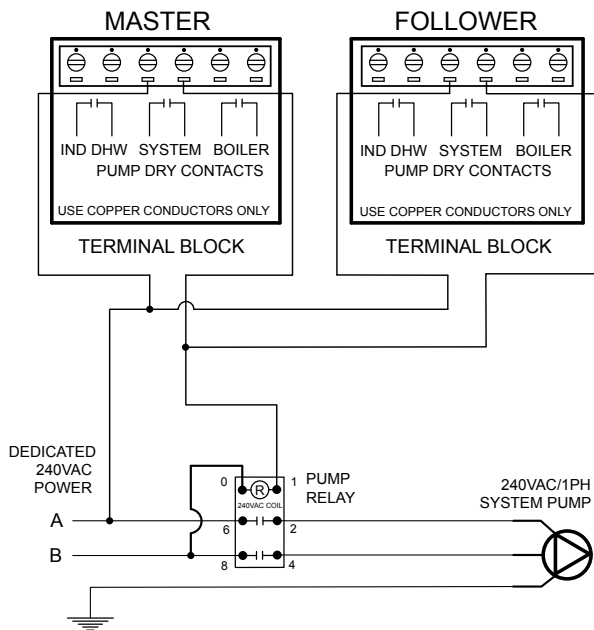


Figure 45. XVers Cascade System Pumps (240VAC Shown)

3. Connect the Outdoor sensor (if used) to terminals 8 and 9 on the field wiring strip located on the Master boiler. See **Figure 41**.
4. Connect the Enable/Disable wiring to terminals 11 and 12 on the field wiring strip located on the Master boiler. This connection must be provided through dry contacts closure. See **Figure 41**. Applying 24VAC to these terminals will result in blowing the fuse on PIM.

NOTE: The dry contacts closure can come from a room thermostat or a remote relay. No power of any kind should be applied to either of these terminals.

Cascade Follower Pump and Sensor Wiring

1. Once the primary boiler has been identified, additional boilers will be designated as follower boilers. Ensure DIP switch 2 on each follower VERSA is set to the OFF/Down position.
2. For Cascade configurations System pump and DHW pump, Follower outputs must be connected in parallel respectively in order to support operation during “limp-along” operation.

Modbus BMS Communication

The VERSA IC is equipped as standard with a communications port for connectivity to building automation via Modbus protocol.

Refer to the VERSA IC Manual (241493) for further information. The XVers may be equipped with protocol converter. See ProtoNode Manual (241515) and wiring diagram.

Alarm Connection

An alarm annunciator or light may be connected to the alarm contacts on the field wiring terminal strip.

The Alarm Contacts are 3A rated dry contacts on a normally-open relay that close during fault or lockout conditions, and the maximum voltage across the contacts is 30 VAC or 30 VDC. See the Field Wiring as shown in **Figure 37**.

In a cascade system with an alarm condition at one or more units, alarm contacts of the rest of the units within the cascade can be energized indicating a fault condition. This feature can be enabled or disabled, refer to VERSA IC Manual (241493) for further details on “Cascaded Alarm”.

Venting - General

CAUTION: Proper installation of flue venting is critical for the safe and efficient operation of the boiler.

NOTE: Raypak strongly recommends installing the vent system before water piping. This will ensure that the venting system and associated components will fit into the allotted space for proper operation.

Appliance Categories

Heaters are divided into four categories based on the pressure produced in the exhaust and the likelihood of condensate production in the vent.

Category I – A heater which operates with a non-positive vent static pressure and with a vent gas temperature that avoids excessive condensate production in the vent.

Category II – A heater which operates with a non-positive vent static pressure and with a vent gas temperature that may cause excessive condensate production in the vent.

Category III – A heater which operates with a positive vent pressure and with a vent gas temperature that avoids excessive condensate production in the vent.

Category IV – A heater which operates with a positive vent pressure and with a vent gas temperature that may cause excessive condensate production in the vent.

See **Table P** for appliance category requirements.

NOTE: Ensure that clearances are maintained per **Table E** and **Table H**.

⚠ WARNING: Mixing of different manufacturers venting material is not permitted as this may create an unsafe condition.

NOTE: For additional information on appliance categorization, see appropriate ANSI Z21 Standard and the NFGC (U.S.), or B149 (Canada), or applicable provisions of local building codes.

CAUTION: Condensate drains for the vent piping are required for installations of the XVers. Follow vent manufacturer instructions for installation and location of condensate drains in the vent. Condensate drain must use a trap and the trap must be primed with water to prevent flue gas leakage and must be routed to an appropriate container for treatment before disposal, as required by local codes.

⚠ WARNING: Contact the manufacturer of the vent material if there is any question about the appliance categorization and suitability of a vent material for application on a Category IV vent system. Using improper venting materials can result in personal injury, death or property damage.

In addition to the stainless steel vents listed in **Table R**, the XVers product is also certified for use with PVC, CPVC, and Centrotherm InnoFlue Polypropylene vent products. See **Table Q**, for information on Polypropylene venting. See "Vertical Venting (Category IV) - PVC/CPVC" on page 42, "Direct Vent - Vertical - PVC/CPVC" on page 44, and "Horizontal Through-the-Wall and Direct Vent - Horizontal - PVC/CPVC" on page 45 for information on PVC/CPVC venting.

Extractors, Draft Inducers, and Motorized Combustion Air Dampers

When extractors or inducers are used in the venting system, they must be interlocked with each connected appliance, to ensure proper operation. If individual motorized combustion air dampers are used, they must be interlocked to their respective appliance. See Instruction Sheet 241719 (D-37 Combustion Air Damper Kit) for proper wiring instructions, using Fan/Damper dry contacts and external interlock.

Support of Vent Stack

The weight of the vent stack or chimney must not rest on the boiler vent connection. Support must be provided in compliance with applicable codes. The vent should also be installed to maintain proper clearances from combustible materials.

Use only the special gas vent pipes listed for use with Category IV gas burning boilers as listed in **Table Q** and **Table R**. Follow the vent manufacturer's installation instructions carefully.

Certified Materials	Exhaust Configuration	Heater Venting Category	Combustion Air Supply	Combustion Air Inlet Material
PVC, CPVC, Centrotherm InnoFlue Polypropylene and Stainless Steel UL-Listed	Vertical Venting	IV	From Inside Building (Non-Direct Venting)	Galvanized Steel PVC ABS CPVC
	Horizontal Through-the-Wall Venting			
	Vertical Venting		From Outside Building (Direct Venting)	
	Horizontal Through-the-Wall Venting			

Table P. Venting Category Requirements

Model No.	Centrotherm - InnoFlue (max allowable inlet temp 190°F / 88°C)			
	Air Intake Terminal	Vent Terminal*	Vent Pipe	Vent Adapter
0856	ISEL0687	ISTT0620	6" InnoFlue Vent 12" to 6' Lengths	ISSA0606
1006				
1256	ISEL0887	ISTT0820	8" InnoFlue Vent 12" to 6' Lengths	ISSA0808
1506				
1756				
2006				
2506	ISEL1087	ISTT1020	10" InnoFlue Vent 12" to 6' Lengths	ISSA1010
3006				

Table Q. Certified Polypropylene Vent Termination and Adapter - Category IV

Model No.	M&G Duravent – “Fas-N-Seal”			
	Air Intake Terminal	Vent Terminal*	Vent Pipe	Vent Adapter
0856	90° Elbow	D-15 (6") (016720)	6" Fas-N-Seal	None Required
1006				
1256		D-15 (8") (016721)	8" Fas-N-Seal	
1506				
1756				
2006				
2506		D-15 (10") (016722)	10" Fas-N-Seal	
3006				

Model No.	Heat Fab – Saf-T Vent EZ Seal			
	Air Intake Terminal	Vent Terminal*	Vent Pipe	Vent Adapter
0856	90° Elbow	D-15 (6") (016720)	6" Saf-T-Vent 6" to 4' Lengths	9601MAD
1006				
1256		D-15 (8") (016721)	8" Saf-T-Vent 6" to 4' Lengths	9801MAD
1506				
1756				
2006				
2506		D-15 (10") (016722)	10" Saf-T-Vent 6" to 4' Lengths	91001MAD
3006				

Model No.	Z Flex – “Z Vent”			
	Air Intake Terminal	Vent Terminal*	Vent Pipe	Vent Adapter
0856	90° Elbow	D-15 (6") (016720)	6" Z Vent 6" to 4' Lengths	2SVDSA06
1006				
1256		D-15 (8") (016721)	8" Z Vent 6" to 4' Lengths	2SVDSA08
1506				
1756				
2006				
2506		D-15 (10") (016722)	10" Z Vent 6" to 4' Lengths	2SVDSA10
3006				

* Must use Raypak vent terminal specified.

Table R. Certified Stainless Steel Vent Termination and Adapters - Category IV

Vent Terminal Location

NOTE: During winter months check the vent cap and make sure no blockage occurs from build-up of snow or ice.

NOTE: D15 Vent Termination Caps are CSA certified with unit up to 40 mph maximum windspeed.

1. Condensate can freeze on the vent cap. Frozen condensate on the vent cap can result in a blocked flue condition.
2. Give special attention to the location of the vent termination to avoid possibility of property damage or personal injury.
3. Gases may form a white vapor plume in winter. The plume could obstruct a window view if the termination is installed near windows.
4. Prevailing winds, in combination with below-freezing temperatures, can cause freezing of condensate and water/ice build-up on buildings, plants or roofs.

5. The bottom of the vent terminal and the air intake shall be located at least 12" (305 mm) above grade, including normal snow line.
6. Un-insulated single-wall Category IV metal vent pipe shall not be used outdoors in cold climates for venting gas-fired equipment without insulation.
7. Through-the-wall vents for Category IV appliances shall not terminate over public walkways or over an area where condensate or vapor could create a nuisance or hazard or could be detrimental to the operation of regulators, relief valves, or other equipment.
8. Locate and guard vent termination to prevent accidental contact by people or pets.
9. DO NOT terminate vent in window well, stairwell, alcove, courtyard or other recessed area.
10. DO NOT terminate above any door, window, or gravity air intake. Condensate can freeze, causing ice formations.
11. Locate or guard vent to prevent condensate from damaging exterior finishes. Use a rust-resistant sheet metal backing plate against brick or masonry surfaces.
12. DO NOT extend exposed vent pipe outside of building beyond the minimum distance required for the vent termination. Condensate could freeze and block vent pipe.

U.S. Installations

Refer to the latest edition of the National Fuel Gas Code.

Vent termination requirements are as follows:

1. Vent must terminate at least 4' (1.2 m) below or 4' (1.2 m) horizontally from, window or gravity air inlet to the building.
2. The vent must not terminate above public walkways due to slip hazard from frozen condensate.
3. Terminate vent at least 3' (915 mm) above any forced air inlet located within 10' (3 m).
4. Vent must terminate at least 4' (1.2 m) horizontally, and in no case above or below unless 4' (1.2 m) horizontal distance is maintained, from electric meters, gas meters, regulators, and relief equipment.
5. Terminate vent at least 6' (1.8 m) away from adjacent walls.
6. DO NOT terminate vent closer than 5' (1.5 m) below roof overhang.
7. The vent terminal requires a 12" (305 mm) vent terminal clearance from the wall.
8. Terminate vent at least 1' (305 mm) above grade, including normal snow line.

9. Multiple direct-vent installations require a 4' (1.2 m) clearance between the ends of vent caps located on the same horizontal plane.

▲WARNING: The Commonwealth of Massachusetts requires that sidewall vented boilers, installed in every dwelling, building or structure used in whole or in part for residential purposes, be installed using special provisions as outlined on page 83 of this manual.

Canadian Installations

Refer to latest edition of the B149 Installation Code.

A vent shall not terminate:

1. Directly above a paved sidewalk or driveway.
2. Within 6' (1.8 m) of a mechanical air supply inlet to any building.
3. Above a meter/regulator assembly within 3' (915 mm) horizontally of the vertical center-line of the regulator.
4. Within 6' (1.8 m) of any gas service regulator vent outlet.
5. Less than 1' (305 mm) above grade level.
6. Within 3' (915 mm) of a window or door which can be opened in any building, any non-mechanical air supply inlet to any building or the combustion air inlet of any other appliance.
7. Underneath a veranda, porch or deck, unless the veranda, porch or deck is fully open on a minimum of two sides beneath the floor, and the distance between the top of the vent termination and the underside of the veranda, porch or deck is greater than 1' (305 mm).

Venting Installation Tips

Support piping (See vent manufacturer's instructions):

- horizontal runs—at least every 5' (1.5 m)
- vertical runs—use braces at least every 10' (3 m)
- under or near elbows

▲WARNING: Examine the venting system at least once a year. Check all joints and vent pipe connections for tightness, corrosion or deterioration.

Venting Configurations

For boilers connected to gas vents or chimneys, vent installations shall be in accordance with the NFGC (U.S.), or B149 (Canada), or applicable provisions of local building codes.

▲CAUTION: This venting system may require the installation of supplemental condensate drains in the vent piping per the vent manufacturer's instructions. Failure to install these condensate drains in the venting system may cause a non-warrantable failure.

Vertical Venting (Category IV) – Stainless Steel and Polypropylene

Installation

The maximum and minimum venting length for this boiler is shown in **Table S**.

The following information is related to SS and Centrotherm InnoFlue Polypropylene venting materials. Refer to venting sections on **page 42**, **page 44**, and **page 45** for PVC and CPVC venting materials.

See **Table Q** and **Table R** for appropriate adapters.

Any horizontal sections of a vent must have an upward slope of not less than 1/4" per linear foot from the boiler to the vent terminal. The horizontal portions of the vent shall also be supported for the design and weight of the material employed to maintain clearances and to prevent physical damage or separation of joints.

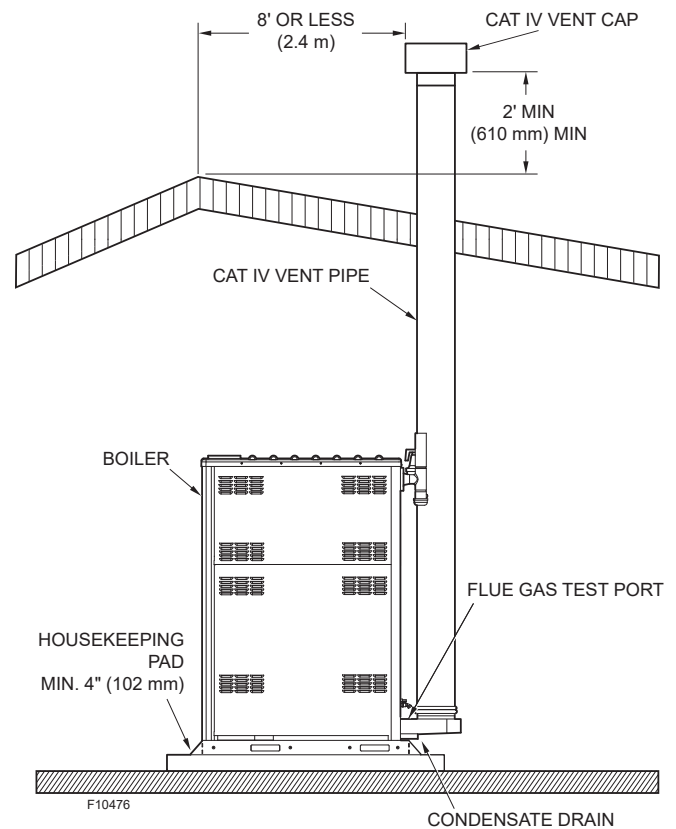


Figure 46. Vertical Venting for Stainless Steel and Polypropylene

Model No.	Certified Vent Material*	Vent Size in. (mm)	Total Vent Length (eq. ft.)** (m)		Combustion Air Intake Pipe Material	Air Intake Collar in. (mm)	Air Inlet Max Length** (eq. ft.) (m)		
			Min.	Max.			6" Ø	8" Ø	10" Ø
0856	SS Cat IV (UL Listed), Centrotherm Polypropylene, PVC/CPVC	6 (152)	5 (1.5)	100 (30)	Galvanized Steel, PVC, CPVC, ABS	6 (152)	100 (30)	100 (30)	
1006									
1256		8 (203)	5 (1.5)	100 (30)		8 (203)	100 (30)		
1506									
1756		10 (254)	5 (1.5)	100 (30)		8 (203)	100 (30)	100 (30)	
2006									
2506									
3006									

* Special vent materials are still required.

** Subtract 10 ft (3 m) per elbow. Max. 4 elbows.

Table S. Category IV Venting

Termination

The vent terminal must be vertical and must terminate outside the building at least 2' (0.6 m) above the highest point of the roof that is within 8' (2.4 m). The vent cap must have a minimum clearance of 4' (1.2 m) horizontally from and in no case above or below (unless a 4' [1.2 m] horizontal distance is maintained) electric meters, gas meters, regulators and relief equipment.

The distance of the vent terminal from adjacent buildings, open windows and building openings must comply with the NFGC (U.S.) or B149 (Canada). Gas vents supported only by flashing and extended above the roof more than 5' (1.5 m) should be securely guyed or braced to withstand snow and wind loads.

CAUTION: A listed vent cap terminal suitable for connection to the Cat IV vent materials in Table Q and Table R, adequately sized, must be used to evacuate the flue products from the building.

WARNING: Vent connectors serving any other appliances shall not be connected into any portion of mechanical draft systems operating under a positive pressure. If an XVers boiler is installed to replace an existing boiler, the vent system MUST be verified to be of the correct size and of Category IV UL Listed stainless steel vent material construction or other approved vent materials noted in Table R. If it is NOT, it MUST be replaced.

NOTE: For extractor sizing, typical CO₂ levels are 9.0% for natural gas and 10.3% for propane gas and flue temperature of 150°F (65°C), at 100% firing rate, 40°F ΔT and return temperature of 120°F (49°C) measured at the test port, near the flue collar.

Model No.	Vent Size in. (mm)	Vent Pressure (in. WC)	Volume of Flue Products (CFM)
0856	6 (152)	0 to 0.2	250
1006			260
1256	325		
1506	8 (203)		390
1756			455
2006			520
2506	10 (254)		800
3006			960

* NOTE: Data for 100% with range between min/max vent length.

Table T. Typical Vent Pressure and Volume of Flue Products - SS and Polypropylene

Direct Vent—Vertical – Stainless Steel and Polypropylene

Installation

These installations utilize the boiler-mounted blower to draw combustion air from outdoors and vent combustion products to the outdoors.

The total length of air supply pipe cannot exceed the distances listed in **Table S**. Each elbow used is equal to 10' (3 m) of straight pipe. This will allow installation in any arrangement that does not exceed the lengths shown in **Table S**.

The vent cap is not considered in the overall length of the venting system. See **Table O** and **Table R** for appropriate adapters.

CAUTION: This venting system may require the installation of condensate drains in the vent piping per the vent manufacturer's instructions. Failure to install these condensate drains in the venting system may cause a non-warrantable failure.

Care must be taken during assembly that all joints are sealed properly and are airtight.

The vent must be installed to prevent the potential accumulation of condensate in the vent pipes. It is required that:

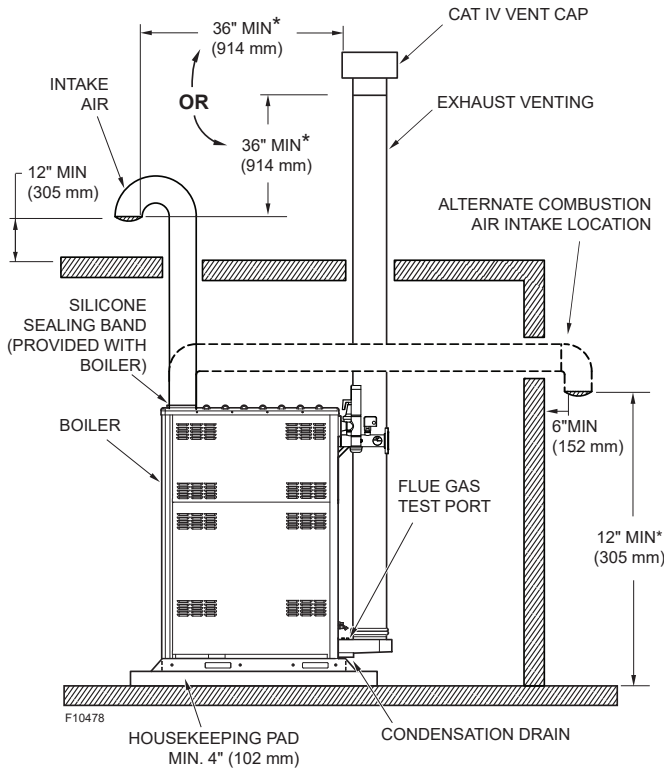
1. The vent must be installed with a condensate drain located in proximity to the boiler as directed by the vent manufacturer.
2. The vent must be installed with a slight upward slope of at least 1/4" per foot of horizontal run to the vent terminal.

Termination

The vent cap MUST be mounted on the exterior of the building. The vent cap cannot be installed in a well or below grade. The vent cap must be installed at least 1' (305 mm) above ground level and above normal snow levels.

The vent cap MUST NOT be installed with any combustion air inlet directly above a vent cap. This vertical spacing would allow the flue products from the vent cap to be pulled into the combustion air intake installed above.

This type of installation can cause non-warrantable problems with components and poor operation of the boiler due to the recirculation of flue products. Multiple vent caps installed in the same horizontal plane must have at least 4' (1200 mm) clearance from the side of one vent cap to the side of the adjacent vent cap(s).



* NOTE: Combustion air piping should be supported along the length and NOT simply at the connection of the boiler. Removal of top may be required.

Figure 47. Direct Vent-Vertical for Stainless Steel and Polypropylene

NOTE: While a condensate drain connection for the vent system is required on all XVers installations, the drain can be accomplished in several different ways. The figures in this section show the drain from the heat exchanger, however, this can also be accomplished using an additional inline collector for condensing stacks or an additional inline vertical or horizontal collector available from several of the listed vent manufacturers.

Combustion air supplied from outdoors must be free of particulate and chemical contaminants. To avoid a blocked flue condition, keep the vent cap clear of snow, ice, leaves, debris, etc.

⚠ WARNING: Mixing of different manufacturers venting material is not permitted as this may create an unsafe condition.

Horizontal Through-the-Wall and Direct Vent - Horizontal - Stainless Steel and Polypropylene

The XVers boilers may be vented horizontally (either using room air for combustion or ducted air for combustion) as shown in the following figures. The air intake terminal may be located in a different pressure zone (i.e. on different walls) from the vent termination. See **Figure 49**.

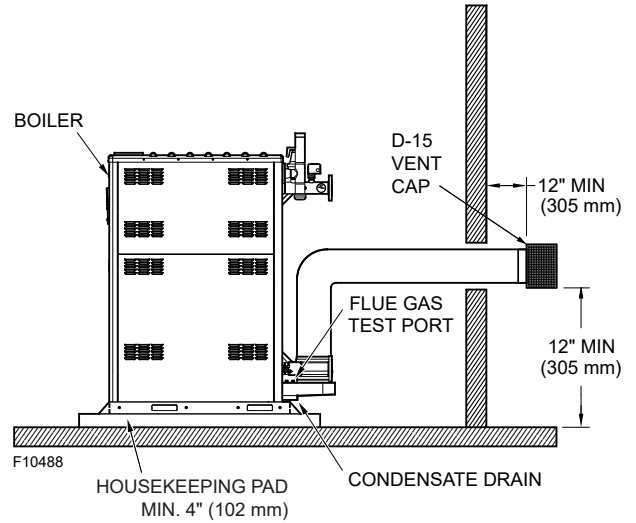


Figure 48. Horizontal Through-the-Wall Venting for Stainless Steel and Polypropylene

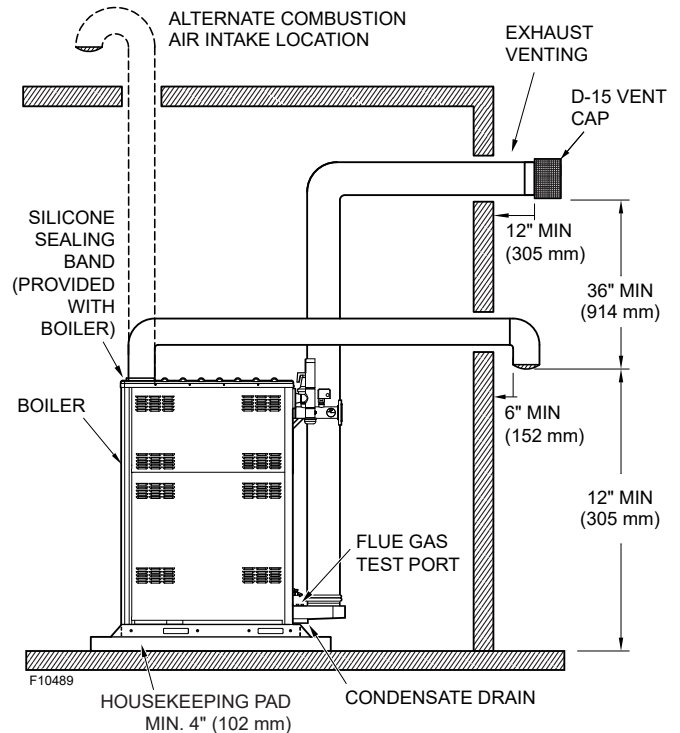


Figure 49. Direct Vent-Horizontal for Stainless Steel and Polypropylene

⚠ CAUTION: This venting system may require the installation of supplemental condensate drains in the vent piping per the vent manufacturer's instructions. Failure to install these condensate drains in the venting system may cause a non-warrantable failure.

Installation

These installations utilize the boiler-mounted blower to vent the combustion products to the outdoors. Combustion air is taken from inside the room or directly from outdoors and the vent is installed horizontally through the wall to the outdoors. Adequate combustion and ventilation air must be supplied to the equipment room in accordance with the NFGC (U.S.) or B149 (Canada). For combustion air in different pressure zones, see **Figure 50**.

The total length of the horizontal through-the-wall flue system should not exceed the maximum equivalent ft in length. See **Table S** for maximum length. If horizontal run exceeds the maximum equivalent ft, an appropriately sized variable-speed extractor must be used. Each elbow used is equal to 10' (3 m) of straight pipe. This will allow installation in one of the four following arrangements (example shown for Model 1006 with 6" vent):

- 100' (30 m) of straight flue pipe
- 90' (27 m) of straight flue pipe and one elbow
- 80' (24 m) of straight flue pipe and two elbows
- 70' (21 m) of straight pipe and three elbows

The vent cap is not considered in the overall length of the venting system.

The vent must be installed to prevent flue gas leakage. Care must be taken during assembly to ensure that all joints are sealed properly and are airtight. The vent must be installed to prevent the potential accumulation of condensate in the vent pipes. It is required that:

1. The vent must be installed with a condensate drain located in proximity to the boiler as directed by the vent manufacturer.
2. The vent must be installed with a slight upward slope of not less than 1/4" per foot of horizontal run to the vent terminal.

Termination

The vent terminal **MUST** be mounted on the exterior of the building. The vent terminal cannot be installed in a well or below grade. The vent terminal must be installed at least 1' (305 mm) above ground level and above normal snow levels. The Raypak-approved horizontal, stainless steel vent terminal must be used (see **Table Q** and **Table R**). The vent terminal must be located **NO CLOSER** than 12" (305 mm) off the wall.

⚠ WARNING: Mixing of different manufacturers venting material is not permitted as this may create an unsafe condition.

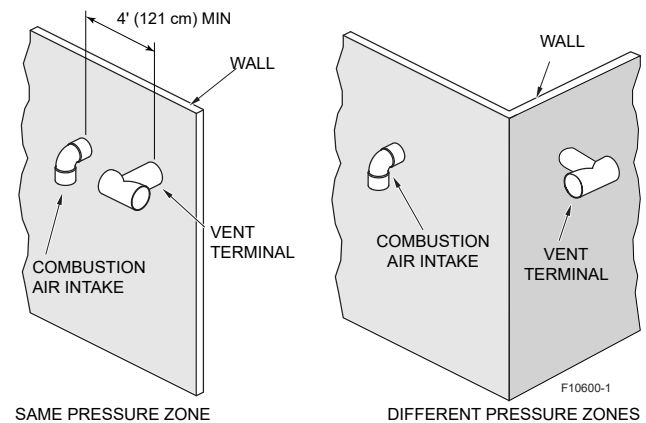


Figure 50. Air Intake Location

Vertical Venting (Category IV) - PVC/CPVC

Installation

The maximum and minimum venting length for this boiler is shown in **Table S**.

⚠ WARNING: Do not insulate PVC / CPVC vent.

⚠ WARNING: Do not use foam-core or cellular-core PVC / CPVC for venting.

The following information is related to PVC and CPVC venting materials. Refer to venting sections on **page 39**, **page 40**, and **page 41** for SS and Polypropylene venting materials.

PVC/CPVC venting requires the vent to be offset from the flue connection of the boiler as shown in **Figure 51**. The vent must be offset to prevent chlorides from the vent material draining back into the boiler drain pan, causing a non-warrantable failure of the heat exchanger.

PVC/CPVC Vent Adapter Kits (See **Table U**) include a 90° SS elbow and a SS to PVC adapter that must be used when installing PVC or CPVC vent systems.

Model No.	Kit No.
0856 - 1006	016896
1256 - 2006	016897
2506 - 3006	016898

Table U. PVC & CPVC Adapter Kits (Sales Option D-108)

Any horizontal sections of a vent must have an upward slope of at least 1/4" per linear foot from the boiler to the vent terminal. The horizontal portions of the vent shall also be supported for the design and weight of the material employed to maintain clearances and to prevent physical damage or separation of joints.

A condensate trap and drain are required at the bottom of the PVC/CPVC tee as shown in **Figure 51**.

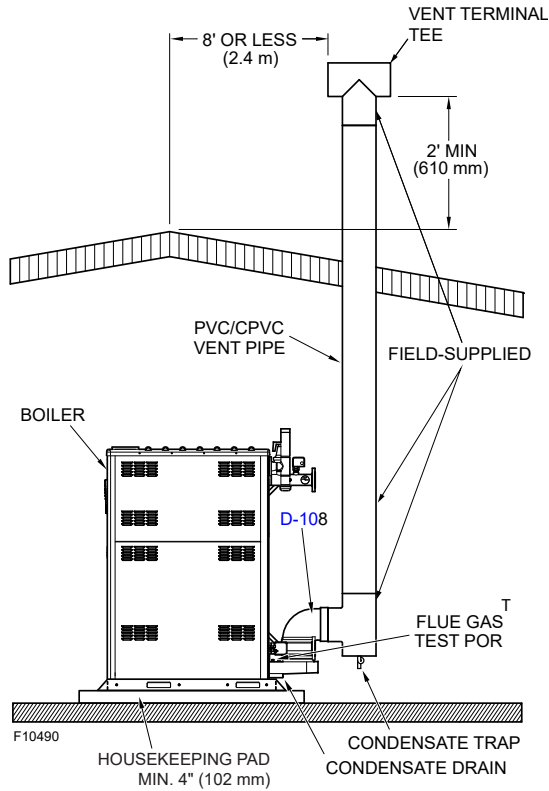


Figure 51. Vertical Venting for PVC/CPVC

Termination

The vent terminal must be vertical and must terminate outside the building at least 2' (0.6 m) above the highest point of the roof that is within 8' (2.4 m). The vent cap should have a minimum clearance of 4' (1.2 m) horizontally from and in no case above or below (unless a 4' [1.2 m] horizontal distance is maintained) electric meters, gas meters, regulators and relief equipment.

The distance of the vent terminal from adjacent buildings, open windows and building openings must comply with the NFGC (U.S.) or B149 (Canada). Gas vents supported only by flashing and extended above the roof more than 5' (1.5 m) should be securely guyed or braced to withstand snow and wind loads.

CAUTION: A vent cap tee suitable for connection to the Cat IV PVC/CPVC vent materials, must be used to evacuate the flue products from the building.

WARNING: Vent connectors serving any other appliances shall not be connected into any portion of mechanical draft systems operating under a positive pressure. If an XVers boiler is installed to replace an existing boiler, the vent system **MUST** be verified to be of the correct size and of Category IV vent material construction or other approved vent materials. If it is **NOT**, it **MUST** be replaced.

NOTE: For extractor sizing, typical CO₂ levels are 9.0% for natural gas and 10.3% for propane gas and flue temperature of 150°F (65°C), at 100% firing rate, 40°F ΔT and return temperature of 120°F (49°C) measured at the test port, near the flue collar.

Model No.	Vent Size in. (mm)	Vent Pressure (in. WC)	Volume of Flue Products (CFM)	
0856	6	0 to 0.2	250	
1006	(152)		260	
1256	8		325	
1506			(203)	390
1756			455	
2006	520			
2506	10		800	
3006	(254)	960		

* NOTE: Data for 100% with range between min/max vent length.

Table V. Typical Vent Pressure and Volume of Flue Products - PVC and CPVC

Direct Vent - Vertical - PVC/CPVC

Installation

These installations utilize the boiler-mounted blower to draw combustion air from outdoors and vent combustion products to the outdoors.

The total length of air supply pipe cannot exceed the distances listed in **Table S**. Each elbow used is equal to 10' (3 m) of straight pipe. This will allow installation in any arrangement that does not exceed the lengths shown in **Table S**.

PVC/CPVC venting requires the vent to be offset from the flue connection of the boiler as in **Figure 52**. The vent must be offset to prevent chlorides from the vent material draining back into the boiler drain pan causing a non-warrantable failure of the heat exchanger.

PVC/CPVC Vent Adapter Kits (See **Table U**) include a 90° SS elbow and a SS to PVC adapter that must be used when installing PVC or CPVC vent systems. The vent cap is not considered in the overall length of the venting system.

CAUTION: This venting system requires the installation of condensate drains in the vent piping per the vent as shown in Figure 52. Failure to install these condensate drains in the venting system may cause a non-warrantable failure.

Care must be taken during assembly that all joints are sealed properly and are airtight.

The vent must be installed to prevent the potential accumulation of condensate in the vent pipes. It is required that:

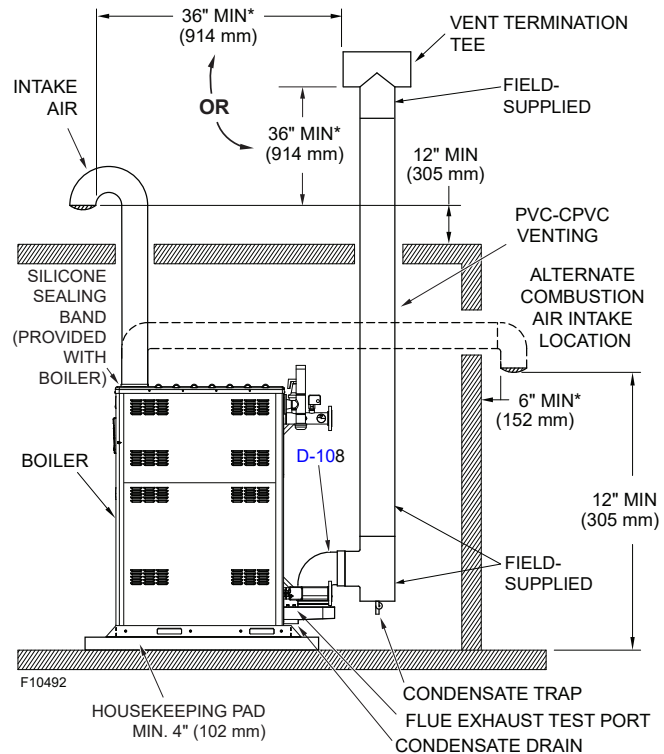
1. The vent must be installed with a condensate drain located in proximity to the boiler as directed by the vent manufacturer.
2. The vent must be installed with a slight upward slope of at least 1/4" per foot of horizontal run to the vent terminal.

Termination

The vent cap **MUST** be mounted on the exterior of the building. The vent cap cannot be installed in a well or below grade. The vent cap must be installed at least 1' (305 mm) above ground level and above normal snow levels.

The vent cap **MUST NOT** be installed with any combustion air inlet directly above a vent cap. This vertical spacing would allow the flue products from the vent cap to be pulled into the combustion air intake installed above. This type of installation can cause non-warrantable problems with components and poor operation of the boiler due to the recirculation of flue products.

Multiple vent caps installed in the same horizontal plane must have a 4" (100 mm) clearance from the side of one vent cap to the side of the adjacent vent cap(s).



* NOTE: Combustion air piping should be supported along the length and NOT simply at the connection of the boiler. Removal of top may be required.

Figure 52. Direct Vent-Vertical for PVC/CPVC

Combustion air supplied from outdoors must be free of particulate and chemical contaminants. To avoid a blocked flue condition, keep the vent cap clear of snow, ice, leaves, debris, etc.

The approved flue direct vent cap for PVC/CPVC is a tee and it must be installed in accordance with **Figure 52**.

WARNING: Mixing of PVC and CPVC venting materials is not permitted as this may create an unsafe condition.

WARNING: Do not insulate PVC / CPVC vent.

WARNING: Do not use foam-core or cellular-core PVC / CPVC for venting.

Horizontal Through-the-Wall and Direct Vent - Horizontal - PVC/CPVC

The XVers boilers may be vented horizontally (either using room air for combustion or ducted air for combustion) as shown in the following figures. The air intake terminal may be located in a different pressure zone (i.e. on different walls) from the venting termination. See **Figure 50**.

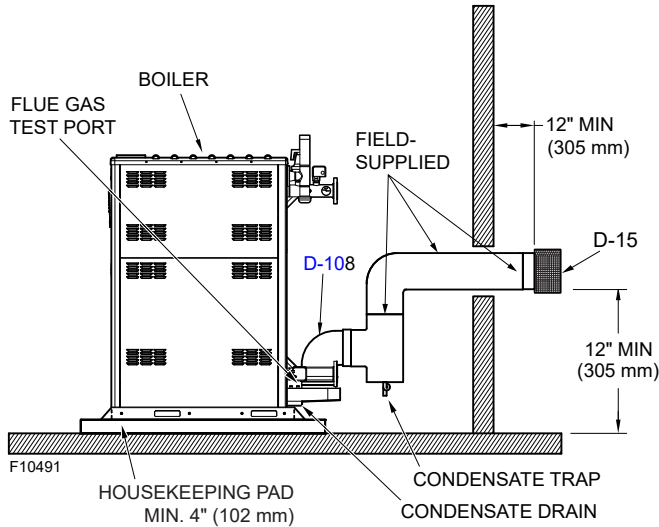


Figure 53. Horizontal Through-the-Wall Venting for PVC/CPVC

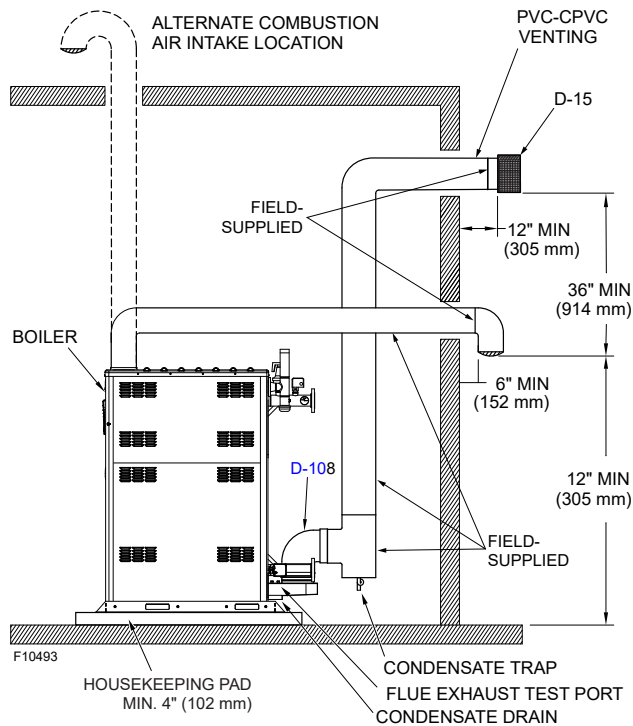


Figure 54. Direct Vent-Horizontal for PVC/CPVC

CAUTION: This venting system requires the installation of condensate drains in the vent piping as shown in **Figure 53** or **Figure 54**. Failure to install these condensate drains in the venting system may cause a non-warrantable failure.

Installation

These installations utilize the boiler-mounted blower to vent the combustion products to the outdoors. Combustion air is taken from inside the room or directly from the outdoors and the vent is installed horizontally through the wall to the outdoors. Adequate combustion and ventilation air must be supplied to the equipment room in accordance with the NFGC (U.S.) or B149 (Canada).

PVC/CPVC venting requires the vent to be offset from the flue connection of the boiler as in **Figure 53** and **Figure 54**. The vent must be offset to prevent chlorides from the vent material draining back into the boiler drain pan causing a non-warrantable failure of the heat exchanger.

PVC/CPVC Vent Adapter Kits (See **Table U**) include a 90° SS elbow and a SS to PVC adapter that must be used when installing PVC or CPVC vent systems.

A condensate trap and drain are required at the bottom of the PVC/CPVC tee as shown in **Figure 53** and **Figure 54**.

The total length of the horizontal through-the-wall flue system should not exceed the maximum equivalent ft in length. See **Table S** for maximum length. If horizontal run exceeds the maximum equivalent ft, an appropriately sized variable-speed extractor must be used. Each elbow used is equal to 10' (3 m) of straight pipe. This will allow installation in one of the four following arrangements (example shown for Model 1006 with 6" vent):

- 100' (30 m) of straight flue pipe
- 90' (27 m) of straight flue pipe and one elbow
- 80' (24 m) of straight flue pipe and two elbows
- 70' (21 m) of straight pipe and three elbows

The vent cap is not considered in the overall length of the venting system.

The vent must be installed to prevent flue gas leakage. Care must be taken during assembly to ensure that all joints are sealed properly and are airtight. The vent must be installed to prevent the potential accumulation of condensate in the vent pipes. It is required that:

1. The vent must be installed with a condensate drain located in proximity to the boiler as directed by the vent manufacturer.
2. The vent must be installed with a slight upward slope of not less than 1/4" per foot of horizontal run to the vent terminal.

Termination

The flue direct vent cap MUST be mounted on the exterior of the building. The direct vent cap cannot be installed in a well or below grade. The direct vent cap must be installed at least 12" (305 mm) above ground level and above normal snow levels. The approved horizontal, PVC/CPVC flue direct vent cap that must be used is a Tee of the same size as vent pipe. See **Figure 53** and **Figure 54**. The vent terminal must be located NO CLOSER than 12" (305 mm) off the wall.

Outdoor Installation

Boilers must not be installed outdoors in freezing climates. Boilers installed outdoors must be vented with listed UV-resistant vent material per the following instructions and installed with the factory-supplied Outdoor Vent Kit. See **Table W**. A special vent cap is provided in accordance with CSA requirements. This must be installed directly on the vent pipe as illustrated in **Figure 55**.

Model No.	Outdoor Kit No.
0856 - 1006	016729
1256 - 2006	016730
2506 - 3006	016731

Table W. Polypro Outdoor Vent Kits

NOTE: External support of outdoor venting is required if the vent extends beyond the jacket top by more than 36" (914 mm).

The flue outlet is not designed to support the weight of the vent system beyond 36" (914 mm) above the jacket top. Supplemental support is required if the vent extend beyond 36" (914 mm).

The Raypak Outdoor Vent Kits contain the following components:

- SS to Polypropylene Adapter
- 2 x 36" Vent Sections
- Vent Termination Tee
- Vent Support Assembly
- Installation Instructions

Care must be taken when locating the boiler outdoors, because the flue gases discharged from the vent cap can condense as they leave the cap. Improper location can result in damage to adjacent structures or building finish.

For maximum efficiency and safety, the following precautions must be observed:

1. When boilers are installed outdoors, they must use the Outdoor Vent Kit that is available from the manufacturer (See **Table W** or sales order option D-11). Follow instructions provided with kit for installation.

2. Periodically check venting system. The boiler's venting areas must never be obstructed in any way and minimum clearances must be observed to prevent restriction of combustion and ventilation air. See **Table H**. Keep area clear and free of combustible and flammable materials.
3. Do not locate adjacent to any window, door, walkway, or gravity air intake. The vent must be located a minimum of 4' (1.2 m) horizontally from such areas.

NOTE: Condensate can freeze on the vent cap. Frozen condensate on the vent cap can result in a blocked flue condition.

4. Install above grade level.
5. Vent terminal must be at least 3' (915 mm) above any forced air inlet located within 10' (3 m).
6. Adjacent brick or masonry surfaces should be protected with a rust-resistant sheet metal plate to prevent staining/corrosion of the wall surfaces.

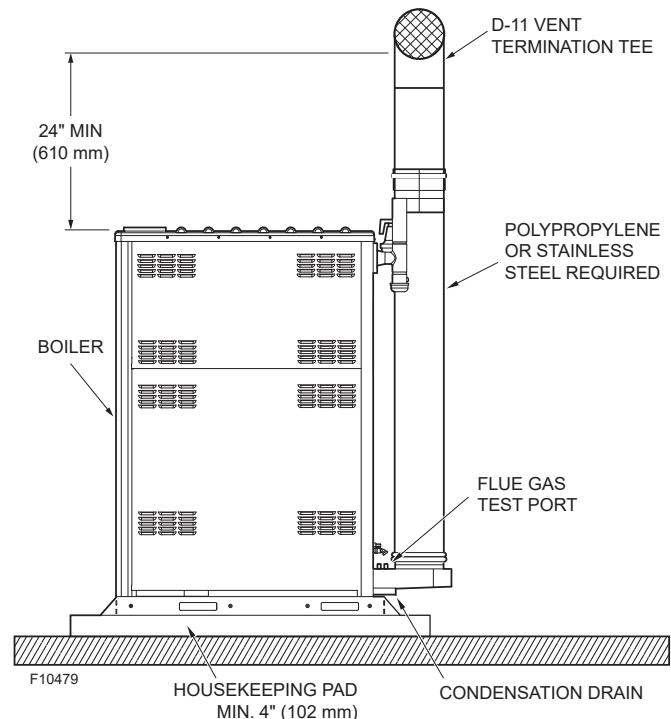


Figure 55. Outdoor Installation

Common Venting

The NFGC does not address sizing guidelines for the common venting of multiple Category IV boilers. This is covered in the NFGC under “Engineered Vent Systems”. **Table T** and **Table V** provide boiler discharge vent pressures at vent pressure switch and volumes of flue products at full fire for the calculation of appropriate vent and extractor sizing for common venting.

Raypak does not support common venting under positive-pressure conditions. Use an external variable-speed extractor to draw the stack to negative pressure. See **Figure 56**. Interlock the extractor to each connected boiler at terminals #17 and #18 (See **Figure 41**) to ensure that no connected boilers will fire until the extractor is proven operational.

Condensate Treatment

The condensate must be drained properly to protect the appliance and drainage system. The condensate from the boiler is acidic. Its pH is typically between 3.2 and 4.5. Raypak recommends treating the condensate with a Condensate Treatment kit (Sales order option Z-12). The Treatment kit is connected to the condensate drain system and contains treatment media to raise the pH level of the condensate. The kit should be added to avoid damage to the drainage system and to meet local code requirements. The pH of the effluent entering a sanitary drain must be 5.0 or higher.

CAUTION: Condensate drain lines must not be allowed to freeze. Take appropriate measures.

Vent pipe condensate drains are also required for installation of the XVers when using PVC or CPVC. Follow instructions for location of condensate drains in the vent as noted in **Section 3.18** through **3.23** as appropriate.

The Z-12 Condensate Treatment Kit must be sized to the amount of condensate generated by the appliance and the vent. See **Table X** for kit numbers.

Model No.	Kit No.
0856 - 1006	012664
1256 - 2006	012050
2506 - 3006	012051

Table X. Condensate Treatment Kits

CAUTION: In general, the condensate piping from the appliance must have a downward slope of 1/4" per horizontal foot. Condensate drain traps must be primed with water to prevent flue gas leaks. Condensate Treatment Kits should be checked at least once per year to ensure the pH of the effluent is 5.0 or higher. The media should be replenished as necessary. Contact JJM Boiler Works (413) 527-1893 for replacement media.

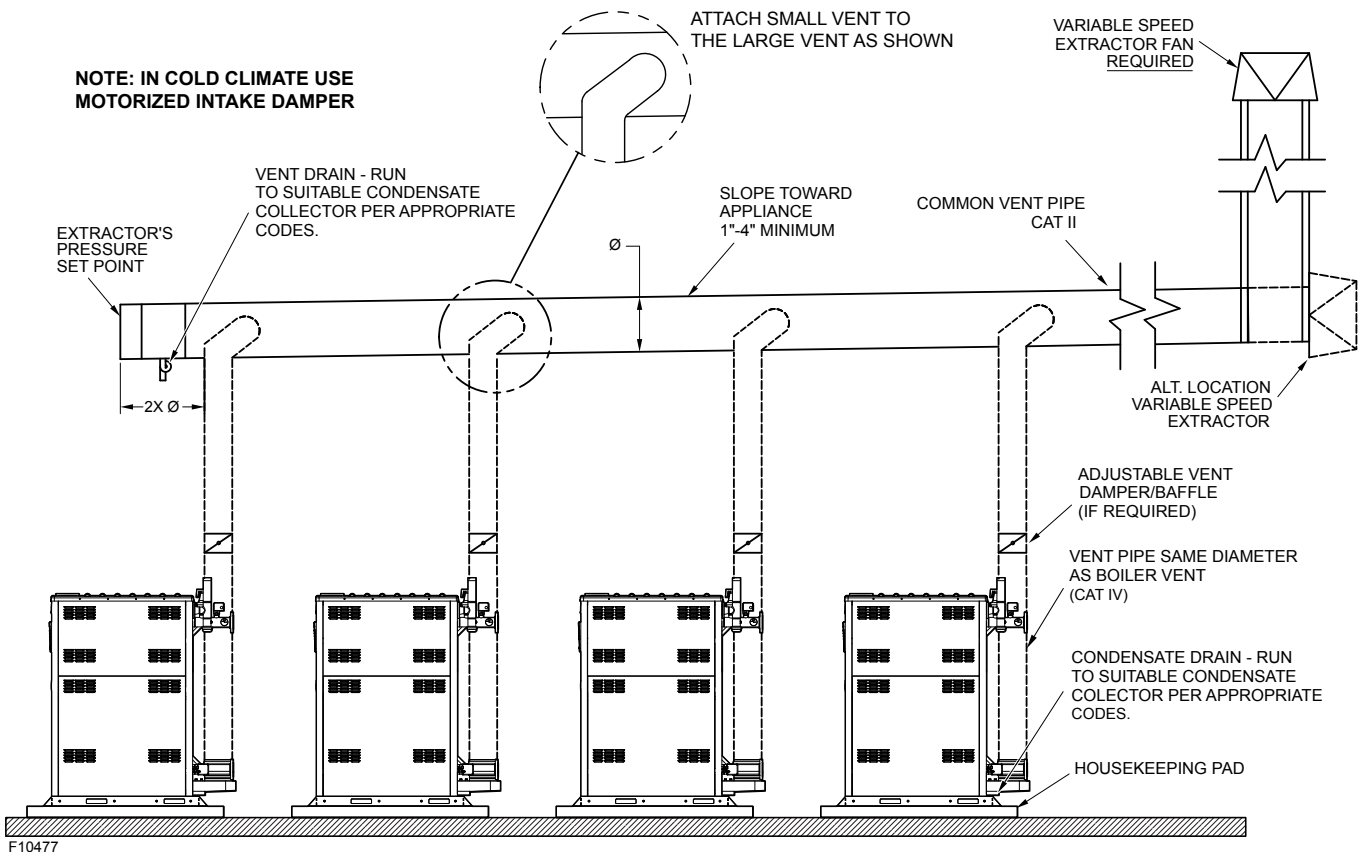


Figure 56. Typical Common Venting

Figure 57 is a visual guide only. Follow the manufacturer's instructions for the installation of the Condensate Treatment Kit and condensate drains.

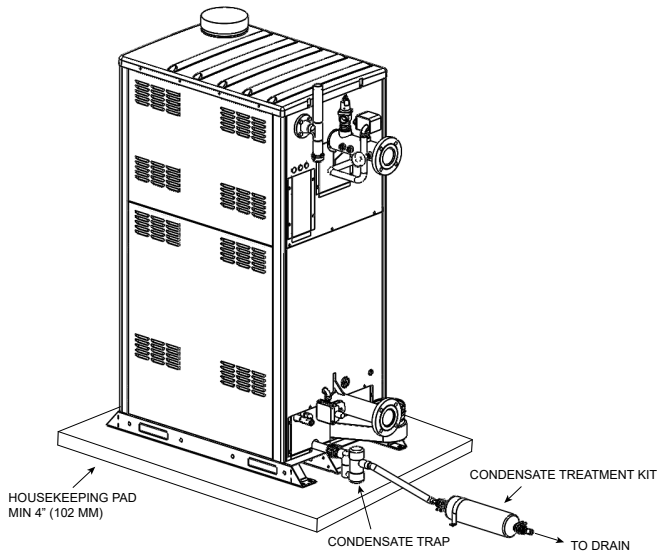


Figure 57. Visual Guide for Condensate Piping

Freeze Protection

To enable freeze protection, DIP switch position 7 (on the PIM) must be turned ON (UP position). This is the default position.

If the water temperature drops below 45°F (7°C) on the Outlet or Inlet sensors, the boiler pump/isolation valve is enabled. The boiler pump is turned off/isolation valve closed when both the Inlet and Outlet temperatures rise above 50°F (10°C).

If either the Outlet or Inlet temperature drops below 38°F (3°C), the VERSA starts the burner at the minimum firing rate. The burner cycle will terminate when both the Inlet and Outlet temperatures rise above 42°F (6°C).

NOTE: Failure of the flow sensor will not initiate a heating cycle if temperatures drop below 38°F (3°C).

CONTROLS

Sequence of Operation

1. Upon initial application of 24VAC power, by toggling the rocker switch to the "IDLE" position the PIM resets with all outputs in the "OFF" state.
2. Enabling the unit by toggling the third position (RUN) of the rocker switch, allows the PIM and VERSA IC to perform a processor and memory self-test to ensure proper operation.
3. The PIM confirms the presence of a valid ID card which matches the configuration stored in memory at the factory. If a valid ID card is NOT present, the PIM generates a diagnostic fault (ID Card Fault) and will shut down waiting for this fault to be addressed.
4. The PIM reads the DIP switch settings and configures itself for the desired operation. PIM DIP 3 = OFF indicates primary-only pipe configuration, which uses an Isolation valve, while PIM DIP 3 = ON means primary / secondary and uses a boiler pump.
5. The PIM scans the Ft_bus communications for the VERSA board and if found, system operation is controlled by the VERSA board. If the PIM does not find the VERSA board, it will enter "limp-along" mode. See Section 11 of the VERSA IC Manual (241493).
6. Non-volatile memory is checked for any active lockout conditions. If any exist, they must be addressed before the PIM will allow a new trial for ignition to start.
7. The PIM continually monitors the flame status to ensure that no flame is present during standby. If an erroneous flame is detected, the PIM generates a False Flame error fault.
8. The PIM verifies that the vent sensor is below the vent limit temperature before burner operation. The control uses the input from this sensor to automatically reduce firing rate should the vent temperature approach the vent material temperature limits. If the vent temperature is exceeded, the PIM performs a Post-purge and proceeds to a hard lockout (manual-reset).
9. Check to see if a call-for-heat has been blocked by an open across the Enable/Disable field wiring terminals (pins 11 and 12). If there is an open, HOLD at this step until there is continuity. If continuity exists across those contacts, proceed.)
10. A call-for-heat is initiated by the presence of any one or more of the sources below. See **Figure 37**.
 - a. A voltage greater than 1.0 VDC on the analog 0-10 VDC EMS signal input (#13 and #14)
 - b. A heat demand present on the indirect DHW field wiring terminals (#4 and #5)

- c. A heat demand from the VERSA board based on the DHW sensor temperature
11. The PIM initiates a trial for ignition counter to the programmed number of trials for ignition (1 or 3) and proceeds to Pump Purge mode.
 12. The VERSA board will turn on the boiler pump and/or keep the Isolation Valve open, turn on the system, and/or DHW pump as necessary to address the call-for-heat. This is dependent on the Mode of operation selected and the PIM DIP #3 position. The boiler will proceed through its pre-purge period before the control will move into a Trial for Ignition (TFI).
 13. The PIM will only allow for ignition as long as the flow sensor detects a flow higher than the minimum flow requirement for the unit. If minimum flow is not achieved within 90 seconds, the unit will broadcast a "Flow Error" condition and will hold from ignition until proper flow is observed.
 - a. An alarm will notify the user that the unit did not ignite due to insufficient flow.
 - b. If sufficient flow is present at the flow sensor and can be verified by the user, it is assumed that the flow sensor needs to be serviced. Under this situation the user can override the Flow Error and allow ignition and select an allowable firing rate up to 80%. NOTE: Flow Override will expire after 24 hours. Once time has expired, the unit will cycle and alarm will turn back on. If the unit cycles power within the 24-hour period, the Flow Override expiration time will be reset.
 14. If the flow sensor detects flow equal to or higher than the minimum flow requirement, then the unit is allowed to proceed to the trial for ignition.
 15. The VERSA board and PIM check the safety circuit and will prevent a trial for ignition if any of the safety devices are in an error/fault condition.
 16. The blower is energized and set to pre-purge speed.
 17. Once the blower speed is acknowledged as operating at the pre-purge speed by the tachometer output, the blower proceeds to pre-purge for the specified duration.
 18. The secondary voltage level of the 24VAC supply input is confirmed to be above 18VAC – if not, a Low Voltage fault will be recorded and the boiler will shut off until the voltage rises above 18VAC consistently.
 19. If all checks have passed, the system proceeds to ignition.
 20. The PIM re-initializes the ignition counter to the configured number of trials (1 or 3).
 21. The Hi Limit sensor is confirmed to read below the Hi Limit setpoint.
 22. The blower light-off RPM speed is verified.
 23. The gas valve relay contacts are verified open – if closed, a fault code will be issued and the boiler will post-purge and go into a hard lockout condition.
 24. The XVers boilers are equipped with a Hot Surface Igniter (HSI):
 - a. The control turns on the HSI and the HSI proving current is verified to be above the threshold value (3.2A reference).
 - b. The configured heat-up delay takes place to allow the HSI element to reach ignition temperature.
 - c. The gas valve output is energized for the trial for-ignition time to light the burner.
 - d. The HSI is de-energized during the last second of the trial-for-ignition period to sense for the burner flame.
 - e. The flame sense is checked for successful lighting of the burner. If a valid flame is detected, the main gas valve, operating pumps and blower relay remain energized and the PIM proceeds to the Heating mode.
 25. If flame is not detected during the trial-for-ignition period, the gas valve output is disabled immediately and the blower goes to a post-purge.
 26. On single trial-for-ignition models, the PIM enters ignition lockout and the LED on the PIM indicates the fault code for ignition lockout. The VERSA IC Display should also state Ignition Lockout. To reestablish operation after the post purge has been completed and clear the lockout error, press the reset button.
 27. On multi-trial-for-ignition models, the control goes through an inter-purge delay before additional ignition attempts are started. If no flame is detected after the final trial-for-ignition, the PIM enters ignition lockout and the LED on the PIM indicates the fault code for ignition lockout. The VERSA IC Display should also state Ignition Lockout. To reestablish operation after the post purge has been completed and clear lockout error, press the reset button.
 28. When the unit is firing, the firing rate of the unit is always governed by the amount of flow sensed through the heat exchanger, and Delta T. The less flow, the less maximum allowable firing rate. However the system will still modulate based on target and supply temperature, EMS signal or Modbus Rate modes between min firing rate and maximum allowable firing rate according with the water flow across the heat exchanger.

XVers Integrated Control

The XVers product family is equipped with a sophisticated set of software rules intended to protect the integrity of the equipment and at the same time guarantee the most efficient operational point of the boiler.

These software rules will prevent the boiler from cycling excessively, avoiding unnecessary stress on the combustion chamber elements. Additionally, the XVers integrated control is able to anticipate required maintenance of internal parts, and diagnose common application problems that could lead to deterioration of the boiler, such as sudden loss of flow, overshoot of supply temperature, excessive temperature on flue pipe, and outlet water temperature spikes, among others.

Flow Sensor

The overall operation of the XVers family of products is designed around the flow sensor reading. To maximize the accuracy of this sensor, it is required, when possible, to use a minimum of 20" (762 mm) of 3-inch straight pipe upstream of the inlet flange to the boiler. If not possible, it is required to use a suction diffuser. See **Figure 58**. Order Raypak sales order option P-171.

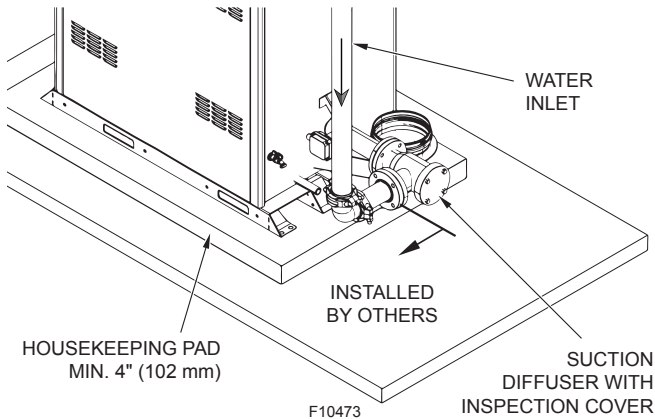


Figure 58. Suction Diffuser (Flow Straightener)

The Flow sensor acts a governor for the boiler, and depending on the flow reading, the control allows the boiler to operate up to a calculated maximum firing rate as a function of the flow rate observed. In spite of calculated maximum allowable firing rate of the unit, the system will still modulate to achieve target or obey an external rate command.

Flow Override

In the unlikely event that the flow sensor reading is compromised, due to several possible external factors, the user is able to override the minimum flow requirement and permit ignition of the unit.

⚠ CAUTION: Sufficient water flow has to be confirmed before enabling the flow override function. Severe heat exchanger damage could occur if there is insufficient flow across the heat exchanger during operation.

The flow override setting will only become visible when the boiler is alarming due an unsuccessful call-for-heat as a result of insufficient flow detection. The setting can be found under Adjust Setting within the System Settings section.

When the "Flow Override" is activated, the user is able to select the maximum firing rate at which the boiler can operate. The system will still modulate up to this maximum firing rate to achieve target. The maximum firing rate is defined by the user between minimum firing rate of the unit up to 80%. The Flow Override function has an expiration time of 24 hours, and must be manually reactivated for the unit to continue operation under such conditions.

Under Flow Error

"Under Flow Error" is only possible when the boiler is already firing. It is considered an Under Flow Error when the flow reading drops below the operational criteria for the boiler, or is totally lost during an active heat demand.

In this scenario, the boiler will broadcast an error and alarm. However, it will not stop providing heat. Instead the unit automatically reduces firing rate to minimum firing rate. If flow is indeed null or low, the boiler has other protection algorithms such as Outlet Max, and Max Delta T Protection, which will shut down the boiler if these values are exceeded.

Cascade Flow Offset

In a cascade configuration, the master XVers boiler will only allow the next unit in the cascade to operate when the observed flow is double the minimum flow requirement of the next unit in the cascade. This is to overcome any pressure drop when enabling the second boiler. It is expected that the flow will drop significantly when the isolation valve of the next boiler in the cascade is opened.

Because pressure drop may vary depending on several specific conditions of each job site, the Cascade Flow Offset provides the ability to fine tune the minimum flow requirement in a cascade configuration. Adjusting the Cascade Flow Offset will affect the call of the next unit in the cascade (speed up or delay the call). This setting is located within the Adjustment Menu in system settings. The default value is "0" with range of -25 gpm to +15 gpm (-95 lpm to +57 lpm).

Example: If the cascade consists of 3 boilers where each boiler has a MIN flow condition of 40 gpm (151 lpm), and the Cascade Flow Offset value is "0" (factory default), the master boiler requires seeing a minimum 80 gpm (302 lpm) before attempting to open the second boiler isolation valve (upon a continued call-for-heat). Adjusting the Cascade Flow Offset value to "-5" results in the master boiler seeing a minimum flow equal to $[40 - 5 = 35 \text{ gpm (132 lpm)}$ for each boiler] or 70 gpm (264 lpm) total before attempting to open the second boiler isolation valve.

ΔT Protection Zones

The ΔT Protection Zones are a function of the VERSA IC which monitors flow, firing rate, and anticipated ΔT based on the type of fluid (water or water/glycol concentration) being heated to determine if the boiler is functioning properly.

The XVers product includes multiple checks to ensure the safe performance of the unit. If the flow sensor reading is determined to be inaccurate, the unit will still find the optimum point of operation based on the ΔT. If boiler flow is indeed below what is being reported by the sensor, the ΔT will increase in proportion to the flow discrepancy.

The XVers will adjust firing rates using dynamic thresholds called “ΔT zones”. These zones are (1) Flow Warning Zone, (2) Hold Firing Rate Zone, and (3) Min Firing Rate Zone, described in the following sections.

Flow Warning Zone

The Flow Warning Zone is considered a warning. The service light will flash, no alarm will be triggered, and a warning error will be broadcast and recorded. The flow warning indicates that the ΔT is higher than the expected value given a specific flow and firing rate.

The Flow Warning Zone operates in conjunction with the user-defined ΔT Offset – see “TROUBLESHOOTING” on page 70 for more details. If the ΔT continues to increase and exceeds the Flow Warning Zone, the boiler will enter the Hold Firing Rate Zone.

Hold Firing Rate Zone

In the Hold Firing Rate Zone, the control will hold modulation regardless of the flow reading. The firing rate will be held at the current firing rate in an attempt to prevent the ΔT from increasing further. If the ΔT drops below this zone, boiler operation will release to PID control. If the ΔT continues to increase, the control will enter the Min Firing Rate Zone.

Min Firing Rate Zone

If all other attempts to prevent the ΔT from increasing fail, the firing rate will drop to minimum firing rate as a last attempt to prevent a ΔT fault. If this action is effective, the ΔT will drop and the boiler will attempt to find the optimum point of operation. However, if this action is not successful and the ΔT continues to climb, and the MAX ΔT threshold is exceeded, and the burner is forced to cycle.

Glycol % Setting

The XVers product is equipped with algorithms that will ensure optimum operation when using different glycol concentrations as the heat media. From the VERSA IC touchscreen, the user must select a glycol concentration. See **Table Y**. This is done to help keep the boiler from tripping on the high-temp limit, and has little or no impact on normal operation.

This setting can be found within the Adjust Menu within System Settings.

NOTE: The factory default value is 50% glycol concentration. Restoring factory defaults WILL NOT reset this value.

When replacing the VERSA IC, it is important to update the glycol percentage value as needed for proper system operation.

Firing Rate %	100	91.49	89.19	84.68	79.67
Glycol %	0%	25%	30%	40%	50%
Model No.	Min Flow @ Max DT @ Max Firing Rate				
0856	21.6	21.6	21.6	21.6	21.6
1006	25.4	25.4	25.4	25.4	25.4
1256	31.7	31.8	31.8	31.8	31.8
1506	38.0	38.1	38.1	38.1	38.1
1756	44.4	44.5	44.5	44.5	44.5
2006	50.7	50.8	50.8	50.8	50.8
2506	63.4	63.5	63.5	63.5	63.5
3006	76.1	76.3	76.3	76.3	76.3

Table Y. Max Firing Rate @ Various Glycol Concentrations

The glycol protection will reduce the maximum firing rate, but will also change the entire heating profile depending on the model size. See **Figure 59**.

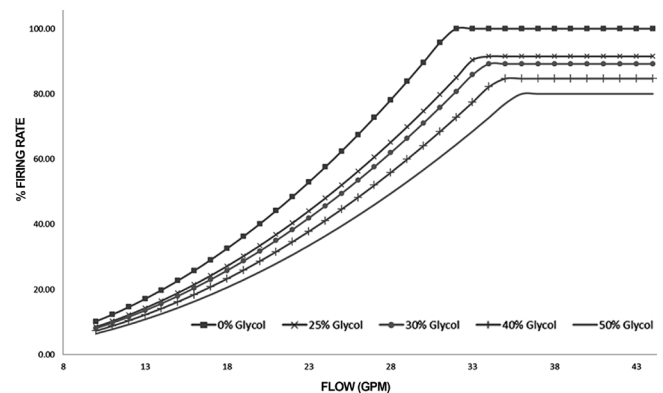


Figure 59. Glycol Operation Chart

Vent Protection

The XVers boilers are equipped with a vent temperature sensor located at the rear of the boiler. See **Figure 4**.

The vent protection algorithm will anticipate a flue temperature overshoot and adjust the firing rate of the boiler to prevent excessive flue temperatures from occurring.

NOTE: The factory default is set to “PVC”.

During commissioning of the boiler, the vent material must be selected in the Adjust Menu (Submenu of System Settings) to indicate the vent material installed on the boiler.

The settings for the Vent Protection include:

- **Vent Material.**
PVC (149°F/65°C),
CPVC (194°F/90°C),
PPS (Polypropylene) (230°F/110°C),
Stainless Steel (AL29-4C)
- **Vent Differential.** Subtractive value from max vent temperature that defines when the control will take action to prevent unit from reaching the max vent temperature. Default 10°F (5.6°C) selectable from 1°F (0.6°C) - 20°F (11°C).
- **Vent Rate.** This value defines the max firing rate the boiler will be allowed to operate at when Vent Protection is active.

If the vent temperature exceeds the allowable limit for the vent material selected, the burner will cycle. This is an automatic reset function and as soon as the vent temperature drops to an acceptable level, the boiler will return to normal operation.

NOTE: The use of PVC/CPVC will require the user to limit the maximum setpoint of the boiler in the Adjust menu.

Control Devices

WARNING: Installation, adjustment and service of boiler controls, including timing of various operating functions, must be performed by a qualified installer, service agency or the gas supplier. Failure to do so may result in control damage, boiler malfunction, property damage, personal injury, or death.

WARNING: Turn off the power to the boiler before installation, adjustment or service of any boiler controls. Failure to do so may result in board damage, boiler malfunction, property damage, personal injury, or death.

CAUTION: This appliance has provisions to be connected to more than one supply source. To reduce the risk of electric shock, disconnect all such connections before servicing.

CAUTION: Risk of electric shock: More than one disconnect switch may be required to de-energize the equipment before servicing.

Motorized Isolation Valve (Shipped Loose)

The boiler is equipped with dry contacts at the BOIL / ISOL VALVE position on the rear terminal block to control an isolation valve as follows:

- Boiler output energized = Isolation valve CLOSED
- Boiler output de-energized = Isolation valve OPEN

The operation above may be manually adjusted by manually inverting the operation of the isolation valve and using the opposite dry contact of the relay output.

24VAC supply voltage for the isolation valve actuation is also available at the rear of the boiler in the wiring box, near the isolation valve relay output.

When running a primary piping system configuration or any cascade system, at least one isolation valve should be open at all times to allow the system to flow freely.

CAUTION: Failure to set up the Isolation Valve correctly may damage the boiler/system pump causing non-warrantable failures.

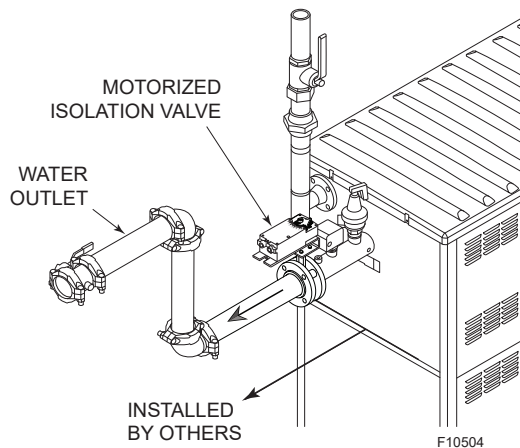


Figure 60. Motorized Isolation Valve Installation

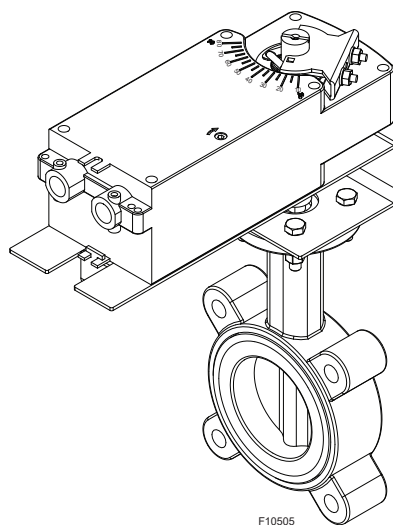


Figure 61. Motorized Isolation Valve

Ignition Control Functions

When there is a call-for-heat, and all safeties are closed and minimum flow rate detected, then the combustion air blower starts to purge air from the combustion chamber. After the pre-purge, the igniter is energized. The standard ignition module will lock-out after failing to light 3 times during a call-for-heat. To reset the lock-out, press and release the RESET button located adjacent the user interface. The control will automatically reset after 1 hour. When in lock-out the control will run the blower through a post-purge cycle.

The single-try ignition module (part of the [CSD-1](#) option) will attempt to light only one time before lock-out occurs. To reset the lock-out, press and release the RESET button located adjacent the user interface.

Turning off the power to the boiler WILL NOT reset the single-try ignition module.

NOTE: Ignition modules are common for all XVers model sizes. However, model-specific operating parameters are defined by their respective ID cards.

3-Position Rocker Switch

This boiler is equipped with a 3-position rocker switch located on the front control panel (adjacent the touchscreen display). See [Figure 34](#).

The 3-positions of this switch are:

- Down = OFF
- Middle = IDLE
- Top = RUN

When the switch is in the OFF position, there is power to the control and the boiler is not operational.

▲WARNING: There is still live electricity inside the boiler - disconnect electrical supply to the boiler before servicing the boiler.

When the switch is in the IDLE position, power is supplied to the control to allow for review/adjustment of settings, but the boiler will not fire.

▲CAUTION: The Enable/Disable signal may be overridden when the VERSA control is configured for MODBUS "TEMP" or "RATE". Disable MODBUS prior to servicing the boiler.

When the switch is in the RUN position, the boiler is enabled to operate based on the water temperature and target temperature setpoint.

High Limit - Manual-Reset

This boiler is equipped with a fixed-setting manual-reset high limit temperature device as standard. It may also have an additional optional adjustable manual-reset high limit temperature device.

The optional manual-reset high limit is located inside the cabinet on the upper right corner post.

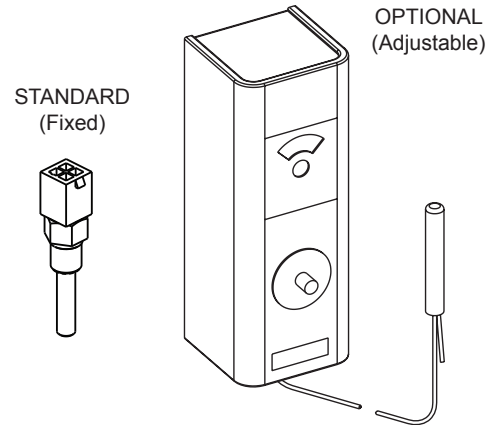


Figure 62. High Limit with Manual-Reset

The manual-reset high limit, fixed at 200°F (93°C) is built into the PIM, and utilizes a dual thermistor sensor located on the outlet. See [Figure 2](#).

To reset a high limit lock-out, press and release the RESET button located adjacent the user interface or the RESET button located on the face of the optional MRHL.

High Limit - Auto-Reset (Optional)

This boiler may be equipped with an adjustable auto-reset high limit temperature device.

The adjustable auto-reset high limit (sales order option I-13) is located inside the cabinet on the upper right corner post. See [Figure 2](#). Adjust the setting to approx. 20°F (11°C) above desired outlet temperature.

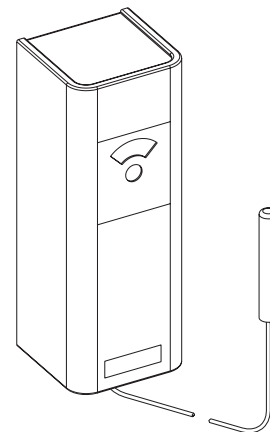


Figure 63. Adjustable High Limit with Auto-Reset

Flow Switch

This standard, dual-purpose control, mounted and wired in series with the main gas valve, shuts off the boiler in case of pump failure or low water flow. See [Figure 2](#).

Low flow causing the flow switch to open during operation will create a soft lockout that will automatically reset after 15 minutes. This functionality will prevent short-cycling of the burner due to marginal water flow.

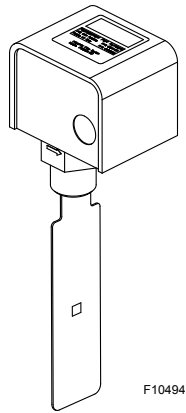


Figure 64. Flow Switch

Low Water Cut-Off

The low water cut-off automatically shuts down the burner whenever water level drops below the level of the sensing probe. See **Figure 1**. A 5-second time delay prevents premature lockout due to temporary conditions such as power fluctuations or air pockets. The low water cut-off control is located in the control box.

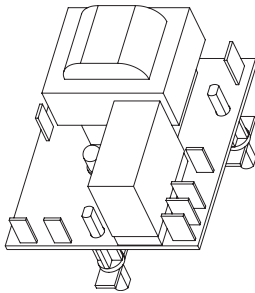


Figure 65. Low Water Cut-Off

High and Low Gas Pressure Switches (Optional)

The optional low gas pressure switch (sales order option S-1) mounts upstream of the gas valve (on the inlet flange to the gas valve) and is accessible through the removable access panels on the top or front of the boiler to reset the gas pressure switch, as necessary. See **Figure 2**. It is used to ensure that sufficient gas pressure is present for proper valve/regulator performance. The low gas pressure switch automatically shuts down the boiler if gas supply drops below the factory setting of 3" WC for natural gas or propane gas.

The high gas pressure switch is standard, and is mounted downstream of the gas valve. See **Figure 1**. If the gas pressure regulator in the valve fails, the high gas pressure switch automatically shuts down the burner.

The low gas pressure switch must be set at 3" WC for either Nat or Propane Gas. The high gas pressure switch must be set at 3" WC for either Nat or Propane Gas. Scales on switches are approximate. Use manometer to set the switch settings.

Operation of either the High or Low Gas Pressure Switch will turn on an LED inside the switch housing. Push the top of the plastic switch housing as shown in **Figure 66** to reset a tripped pressure switch. The LED will go out when the switch is reset. No bleed line is required.

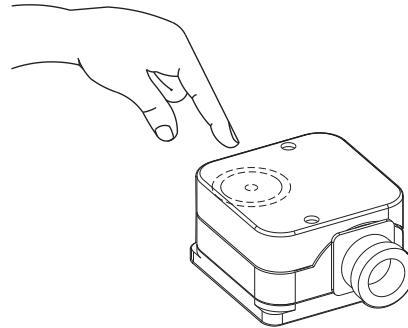


Figure 66. High/Low Gas Pressure Switch

Blocked Vent Switch

This boiler is equipped with a blocked vent pressure switch to prevent the operation of the boiler when too much of the vent is blocked. This switch is located on the right side of the boiler near the front. See **Figure 2**.

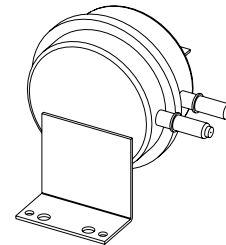


Figure 67. Blocked Vent Switch

Condensate Switch

The condensate switch is located lower rear (right corner) of the boiler. See **Figure 3**. Remove the lower access panel to access the condensate switch. The switch will shut the unit down in the event of excessive condensate in the condensate compartment of the heat exchanger.

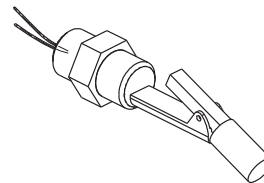


Figure 68. Condensate Switch

Flow Sensor

The boiler is equipped with a flow sensor which measures flow through the boiler and the control adjusts firing rate based on flow. See **Figure 1**.

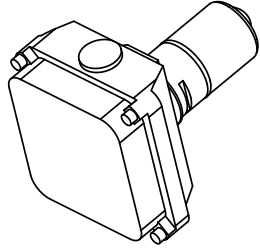


Figure 69. Flow Sensor

Vent Temp Sensor

The boiler is equipped with a vent temperature sensor. Upon initial installation/commissioning of the boiler, the vent material used for installation (PVC, CPVC, PP, or SS) must be entered into the control. See **Figure 4**. The factory default value is "PVC".

The control uses the input from this sensor to automatically reduce firing rate should the vent temperature approach the vent material temperature limits.

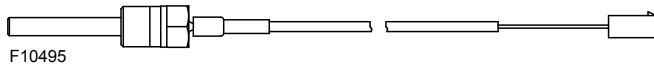


Figure 70. Vent Temp Sensor

HO₂T O₂ Trim System (Factory Installed Option)

Refer to the supplemental HO₂T manual (241781) for more information if your XVers is configured with this option.

This system continuously monitors the oxygen level in the flue gas in the exhaust piping. If the oxygen level deviates from the setpoint, the HO₂T system will modulate the fuel gas flow, via the actuator and valve, to bring the oxygen level back to target setpoint.

The HO₂T system compensates for:

- Partially blocked air inlet
- Fluctuations of the fuel heating value
- Variations of the air inlet temperature
- Variations of weather low and high pressure systems

User Interface

The Touchscreen (TS) user interface uses a high definition 7" (178 mm) capacitive screen. It includes an extensive graphical library used to represent different pipe configurations, error location, and operation of the

unit. The TS has the same basic menu distribution as the original VERSA LCD display, when pressing the MENU button the menu bar becomes visible at the bottom of the screen allowing navigation through four additional sub menus (VIEW, ADJUST, BOILER, and TOOLS).

For detailed descriptions of the various screens, page flows and basic instructions, consult the Touchscreen Quick Start User Guide (241630) and VERSA IC Manual (241493).

If your unit has Raymote installed, refer to the Raymote installation and operation manual (241788).

These manuals can be found in the Raypak document library at www.raypak.com; or can be viewed on your smart device. See QR Codes on page 87.

Adjusting the XVers Setpoint

Use the MENU button to open the menu options, select the ADJUST menu, go to System Settings page. Once in the system settings screen use the Setpoint item. Adjust the setpoint using the UP and DOWN arrow.

After making the setpoint selection press SET button to apply the changes (a confirmation bar will turn green showing that value has been applied). Minimum setpoint is 50°F (10°C); maximum is 180°F (82°C). The default setpoint is 180°F (82°C).

View Menu

The VIEW menu is the default menu. See **Table Z**. It displays sensor temperatures, the modulation rate of the blower, boiler cascade status, pump operation and CFH information. Some of the items displayed are mode specific and are only observable when its corresponding mode is active.

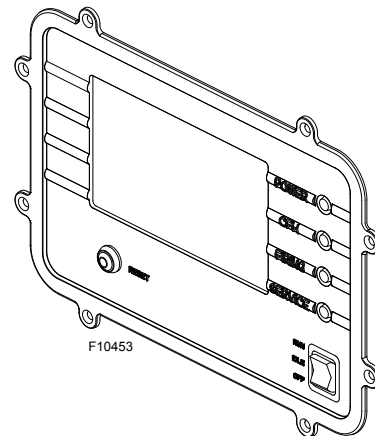


Figure 71. User Interface

Menu - Initial Adjustment

To change settings use the MENU key to scroll to the SETUP/ADJUST menu. The ADJUST menu allows the installer to make adjustments to items shown in **Table AA**.

Refer to the VERSA IC Manual (241493) for detailed setup instructions.

Item	Application	Description
OUTDOOR	H MODE 1, 2, 3	Outdoor air temperature, available when TARGET = RSET in ADJUST menu
Target	H MODE 1, 2, 3	Current target temperature, available when Target = SETP in the ADJUST menu (default), and (EMS / MODB)
SUPPLY	H MODE 1, 2, 3	Current system supply temperature
IND SUPPLY	H MODE 3	Current temperature being supplied to the indirect system
Boil OUTLET	All	Current boiler outlet temperature
Boil INLET	All	Current boiler inlet temperature
Boil ΔT	All	Current temperature difference between boiler outlet and boiler inlet. The protection algorithm is activated as delta-T exceeds 75°F.
DHW SUPPLY	H MODE 2, 3	Current indirect DHW supply temperature
TANK	WH	Current Tank Temperature
BOILER STATUS	All	IDLE, PREP, IGN, MOD RATE %, POST, SOFT, SOFT

Table Z. View Menu

Item	Application	Range	Description	Default
TARGET	H MODE 1, 2, 3	RSET <> SETP	RSET = Outdoor Reset, SETP =Setpoint	SETP
MODE	H MODE 1, 2, 3	1,2,3	Piping and application configuration	1
SETPPOINT	H MODE 1, 2, 3	50°F to 180°F (10°C to 82°C)	Boiler target temperature while a heat demand is present for setpoint operation	180°F (82°C)
OUT START	H MODE 1, 2, 3	35°F to 85°F (2°C to 29°C)	Outdoor starting temperature - outdoor reset	70°F (21°C)
OUT DESIGN	H MODE 1, 2, 3	-60°F to 45°F (-51°C to 7°C)	Outdoor design temperature - outdoor reset	10°F (-12°C)
Boil START	H MODE 1, 2, 3	35°F to 150°F (2°C to 66°C)	Starting boiler target temp when the outdoor temperature is at outdoor start outdoor reset	70°F (21°C)
Boil DESIGN	H MODE 1, 2, 3	70°F to 200°F (21°C to 93°C)	Design boiler target temperature when the outdoor temperature is at outdoor design outdoor reset	180°F (82°C)
TARGET MAX	H MODE 1, 2, 3	100°F (38°C) to PIM value*	Maximum target system temperature	200°F (93°C)
TARGET MIN	H MODE 1, 2, 3	OFF, 50°F to 190°F (10°C to 88°C)	Minimum target system temperature	50°F (10°C)
TARGET DIFF	H MODE 1, 2, 3	2°F to 42°F (1°C to 23.3°C)	Differential for target system temperature	10°F (5.6°C)
IND SENSOR	H MODE 1, 2, 3	OFF <> ON	Selects whether a DHW sensor is used for indirect DHW tank	OFF
IND SETP	H MODE 2, 3	OFF, 50°F (10°C) to 180°F (82°C)	Target Indirect DHW Temperature, requires IND SENSOR = ON	140°F (60°C)
DHW DIFF	H MODE 2, 3	2°F to 10°F (1°C to 5.6°C)	Target indirect DHW tank temp, requires IND SENSOR = ON	6°F (3.4°C)
GLYCOL	IDLE only	0% - 50%	Glycol concentration	50%
Delta T Offset	H MODE 1,2,3	2°F to 15°F (1°C to 8.5°C)	DT Offset (Flow Warning threshold)	10°F
Isol Valve ON/OFF	IDLE only	0:CLOSE, 1:OPEN	Manual Open / Close of ISOL Valve	1, OPEN
VENT MATERIAL	IDLE only	PVC, CPVC, PPS, SS	Defines VENT Piping material. To update value unit must be in IDLE status. (Tap 6 times on setting label to enable SET button)	PVC
VENT DIFF	IDLE only	1°F to 20°F (1°C to 11.2°C)	Subtractive differential of VENT Temperature. This value sets the threshold for VENT protection to be active	10°F (5.6°C)
VENT RATE	IDLE only	MIN Firing Rate to 80%	Forced firing rate when VENT protection is present	50%
# ISOL Valves Open	Cascade Master Only	1, 2, 3, 4	Number of ISOL Valves open in a cascade configuration	1
Cascade	Cascade Only	OFF<>5<>6<>7<>8	Cascade ID only applicable to Tn_bus follower units	OFF
Cascade Type	Cascade Master Only	SEQ<>PAR	Cascade operation type	SEQ
Cascade Alarm	Cascade Master Only	ON<>OFF	Cascade Alarm to all units in case of any unit presents alarm	ON
Cascade MIN Flow Offset	Cascade Master Only	-25 to 15 GPM	Overrides MIN flow condition for next unit in cascade to allow next unit to be called to fire sooner or later.	0
Flow Override	IDLE only	0,MIN % to 80%	Overrides MIN Flow condition for ignition sequence, setting expires in 24hrs.	0
IND SUPPLY	H MODE 2, 3	OFF, 50°F (10°C) to PIM value*	Target boiler temperature for the DHW heat exchanger during indirect DHW operation, requires IND SENSOR = OFF	180°F (82°C)
DHW PRIORITY	H MODE 2	OFF <> ON	Selects whether or not Indirect DHW priority is active during indirect DHW operation	OFF
PRI OVR	H MODE 2, 3	Au, 0:10hr to 2:00hr	Sets the length of the indirect DHW priority override time	1:00hr
SYS PURGE	All	OFF, 0:20min to 20:00min	Sets the length of the system pump post purge	20 seconds
MIX TYPE	H MIX	H (VALVE, PUMP, PLNT) WH (1 <> 2)	Selects the type of control depending on pipe configuration for CWP	H VALVE
MIX TARGET	H MIX	50°F to 140°F (10°C to 60°C)	Inlet Target Temperature	120°F (49°C)
MIX LOCK	H MIX	OFF <> ON	The equipment will trigger a warning when "MIX Target" is not reached within 7 minutes. MIX LOCK = ON; Alarm and lockout, MIX LOCK = OFF; Alarm only	OFF
MIX TRIM	H MIX	-5 to 5	This adjustment is for various types and sizes of units as well as various actuator motor speeds and types supplied by Raypak	0
MIX SPEED	H MIX	SLOW <> MED <> FAST	This setting defines speed of response	MED
MIX INV	H MIX	OFF <> ON	Relates to the use of spring return actuators with a proportional valve	OFF
WWSD	H MODE 1, 2, 3	40°F to 100°F (4°C to 38°C)	The system warm weather shutdown temperature outdoor reset, requires TARGET = RSET	70°F (21°C)
UNITS	All	deg F <> deg C	Show units using icons in display	deg F
MODBUS	All	OFF <> MNTR <>TEMP <> RATE	ModBus Operating Mode: Off, Monitor, Temp Control, Rate Control	MNTR
ADDRESS	All	1 to 247	ModBus slave address	1
DATA TYPE	All	RTU <> ASCI	Modbus data type	RTU
BAUD RATE	All	2400 <> 9600 <> 19K2 <>57K6 <> 115K		19K2
PARITY	All	NONE <> EVEN <> ODD		EVEN

* Maximum operator dial setting.

Table AA. Setup/Adjust Menu

Boiler Menu

The Boiler View displays various items regarding ignition, temperature monitoring, and modulation rates. As well as software and hardware information

Item	Application	Description
BOILER 1	ALL	Enables Boiler for operation
BOILER 2	CASCADE	Enables Ft_bus Boiler for cascade operation
BOILER 3	CASCADE	Enables Ft_bus Boiler for cascade operation
BOILER 4	CASCADE	Enables Ft_bus Boiler for cascade operation
CASCADE	TN-BUS CASCADE FOLLOWER	Set Cascade ID for TN-bus follower, see VERSA IC Manual (241493).
IGNITION	ALL	<p>IDLE=no CFH; PREP=pre-purge or inter-purge between trials for ignition; IGN=trial for ignition; BURN=burner operating; POST=post purge; HARD=a hard lockout fault has occurred requiring manual-reset (Ignition Lockout or manual high limit); and SOFT=a soft lockout fault has occurred which interrupts the heating cycle (any safety other than ignition or manual high limit)</p> <p>The CFH will resume after the soft lockout fault has been corrected and a 15 min. waiting period has expired</p>
VENT WALL	ALL	Monitors vent temperature and adjust firing rate if vent temperature approaches limit for vent material installed/selected
LIMIT TEMP	ALL	Current Outlet-Limit temperature
EMS Vdc	ALL	Current EMS signal in Volts DC
FIRE RATE	ALL	PIM firing rate
SPEEDX 1000	ALL	Blower speed in revolutions per minute (rpm) x 1000
OUTLET MAX	H Mode 1, 2, 3	Defines Max Outlet temperature offset above Target Setpoint (Press and hold up and down arrows for 3 seconds to enable adjustment). see VERSA IC Manual (241493)
OPERATOR	ALL	Operator Potentiometer setting on PIM
DIFF	ALL	Current auto differential – Fixed by PIM
Pump Post	ALL	Sets the length of the boiler pump purge
FLAME CUR	ALL	Flame current in micro-amps (μ A)
MASS	ALL	Thermal mass recovery see VERSA IC Manual (241493)
IDENTITY	ALL	Identifies the unit as boiler, water boiler or pool boiler
IGN TYPE	ALL	PIM Board type
ID CARD	ALL	Identifies Raypak Identity Card
SW ID	ALL	PIM Software identification number
ERROR CODE	ALL	Current Error Code
MIN MOD ADJUST	ALL	Overrides PIM Low Fire Mod value up to 60%

Table AB. Boiler Menu

Monitor Menu

The Monitor Menu records and displays critical Boiler information, such as, Cycle times, Run times, and Maximum/Minimum temperature readings depending on the setup.

Item	Application	Description
RUN TIME Burner 1	All	Burner run time (hours). Press UP/DOWN for 1 sec to clear
Cycles Burner	All	Number of burner cycles. Press UP/DOWN for 1 sec to clear
RUN TIME Boiler pump	All	Boiler pump run time (hours). Press UP/DOWN for 1 sec to clear
RUN TIME System pump	All	System pump run time (hours). Press UP/DOWN for 1 sec to clear
RUN TIME DHW pump	H MODE 2, 3	DHW pump run time (hours). Press UP/DOWN for 1 sec to clear
OUTLET HI	All	Records the highest boiler outlet temperature. Press UP/DOWN for 1 sec to clear
OUTLET LO	All	Records the lowest boiler outlet temperature. Press UP/DOWN for 1 sec to clear
INLET HI	All	Records the highest boiler inlet temperature. Press UP/DOWN for 1 sec to clear
INLET LO	All	Records the lowest boiler inlet temperature. Press UP/DOWN for 1 sec to clear
DELTA T	All	Captures the highest Delta T Temperature recorded. Press UP & DOWN buttons for 3 sec to clear this entry
OUTDOOR HI	H MODE 1, 2, 3	Records the highest outdoor temperature. Press UP/DOWN for 1 sec to clear
OUTDOOR LO	H MODE 1, 2, 3	Records the lowest outdoor temperature. Press UP/DOWN for 1 sec to clear
SYSTEM HI	All	Records the highest supply temperature. Press UP/DOWN for 1 sec to clear
SYSTEM LO	All	Records the lowest supply temperature. Press UP/DOWN for 1 sec to clear
IND HI	H MODE 1, 2, 3	Records the highest Indirect supply temperature. Press UP/DOWN for 1 sec to clear
IND LO	H MODE 1, 2, 3	Records the lowest Indirect supply temperature. Press UP/DOWN for 1 sec to clear
TANK HI	WH	Records the highest TANK temperature. Press UP/DOWN for 1 sec to clear
TANK LO	WH	Records the lowest TANK temperature. Press UP/DOWN for 1 sec to clear
PIM DIP SWITCHES		PIM DIP SW configuration
VERSA DIP SWITCHES		VERSA DIP SW Configuration
PIM SW Revision		Software revision number

Table AC. Monitor Menu

Toolbox Menu

The Toolbox Menu logs all error codes from the VERSA and PIM, as well as other functions. Up to 15 error codes can be logged.

Item	Description
Lookup Active Error	Look up and display the active error info
USER TEST	Select ON to start the function. The setting returns to default after the test is run
MAX HEAT	Select ON to start the function. The setting will time out to OFF after 24 hours or can be set to OFF again by the user. See VERSA IC Manual (241493) for details
P/N XXXXXX	Software number of the Raypak VERSA
DEFAULTS	Resets to factory settings. Press UP and DOWN for 1 second to show CLR and load factory defaults to all settings. This will also clear all history
HISTORY <i>lookup logged error</i>	Displayed when an error code is present. 1 indicates the most recent error code. Press UP and DOWN for 1 second to clear the error logs

Table AD. Toolbox Menu

Outdoor Reset Concept

The Temperature controller can change the System Setpoint based on outdoor temperature (Outdoor Reset). The temperature controller varies the temperature of the circulating heating water in response to changes in the outdoor temperature. The heating water temperature is controlled through the modulation and/or sequencing of the cascade. The Temperature controller can also control the system circulating pump with an adjustable Outdoor Cutoff.

When the outdoor temperature is above the Outdoor Cutoff, the pump is turned off and no heating water is circulated through the system. When the outdoor temperature drops below the Outdoor Cutoff, the system pump relay is activated and the heating water circulates through the system. The temperature of the heating water is controlled by the Reset Ratio, Water Offset, and changes with the outdoor temperature.

Reset Ratio/Outdoor Reset

When a building is being heated, heat escapes through the walls, doors, and windows to the colder outside air. The colder the outside temperature, the more heat escapes. If you can input heat into the building at the same rate that it is lost out of the building, then the building temperatures will remain constant. The Reset Ratio is an adjustment that lets you achieve this equilibrium between heat input and heat loss. The starting point for most systems is the 1.00 (OD):1.00 (SYS) (Outdoor Temperature: Heating Water Temperature) ratio. This means that for every degree the outdoor temperature drops, the temperature of the heating water will increase one degree.

With the VERSA, both ends of the slope are adjustable. It is factory set at 70°F (21°C) water temperature (Boil START) at 70°F (21°C) outdoor air (OUT START), and 180°F (82°C) water temperature (Boil DESIGN) at 10°F (-12°C) outdoor air (OUT DESIGN).

Each building has different heat loss characteristics. A very well insulated building will not lose much heat to the outside air, and may need a Reset Ratio of 2.00 (OD):1.00 (SYS) (Outdoor: Water). This means the outdoor temperature would have to drop 2 degrees to increase the water temperature 1 degree. On the other hand, a poorly insulated building may need a Reset Ratio of 1.00 (OD):2.00 (SYS). This means that for each degree the outdoor temperature dropped the water temperature will increase 2 degrees.

The VERSA Reset Ratio allows for full customization to match any buildings heat loss characteristics. A heating curve that relies not only on Outdoor temperature but also on the type of radiation will improve heat comfort. The user can fine tune these adjustments based on the specific building need.

Reset Ratio Settings

The controller uses the four following settings to determine the reset ratio:

1. Boiler Start (**Boil START**). The Boil START temperature is the theoretical boiler supply water temperature that the heating system requires when the outdoor air temperature equals the OUT START temperature setting. The Boil START is typically set to the desired building temperature.
2. Outdoor Start (**OUT START**). The OUT START temperature is the outdoor temperature at which the control provides the Boil START water temperature to the system. The OUT START is typically set to the desired building temperature.
3. Outdoor Design (**OUT DESIGN**). The OUT DESIGN is the outdoor temperature that is typical coldest annual temperature where the building is located. This temperature is used when completing heat loss calculation for the building.
4. Boiler Design (**Boil DESIGN**). The Boil DESIGN temperature is the water temperature required to heat the boiler zones when the outdoor air is as cold as the OUT DESIGN temperature.

Warm Weather Shut Down (WWSD)

When the outdoor air temperature rises above the WWSD setting, the control turns on the WWSD segment in the display. When the control is in the Warm Weather Shut Down, the Dem 1 segment is displayed if there is a heat demand. However, the control does not operate the boiler to satisfy this demand. The control continues to respond to DHW demands.

Reset Ratio

The controller uses the following four settings to calculate the Reset Ratio (RR). For example, when using the default values, the RR is:

$$\text{RESET RATIO} = \frac{(\text{OUTDOOR START} - \text{OUTDOOR DESIGN})}{(\text{BOILER DESIGN} - \text{BOILER START})}$$

$$\text{RR} = (70 - 10) / (180 - 70) = 0.55$$

Therefore, the RR is 0.55:1 (Outdoor : Water).

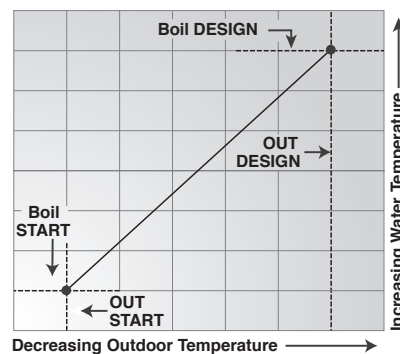
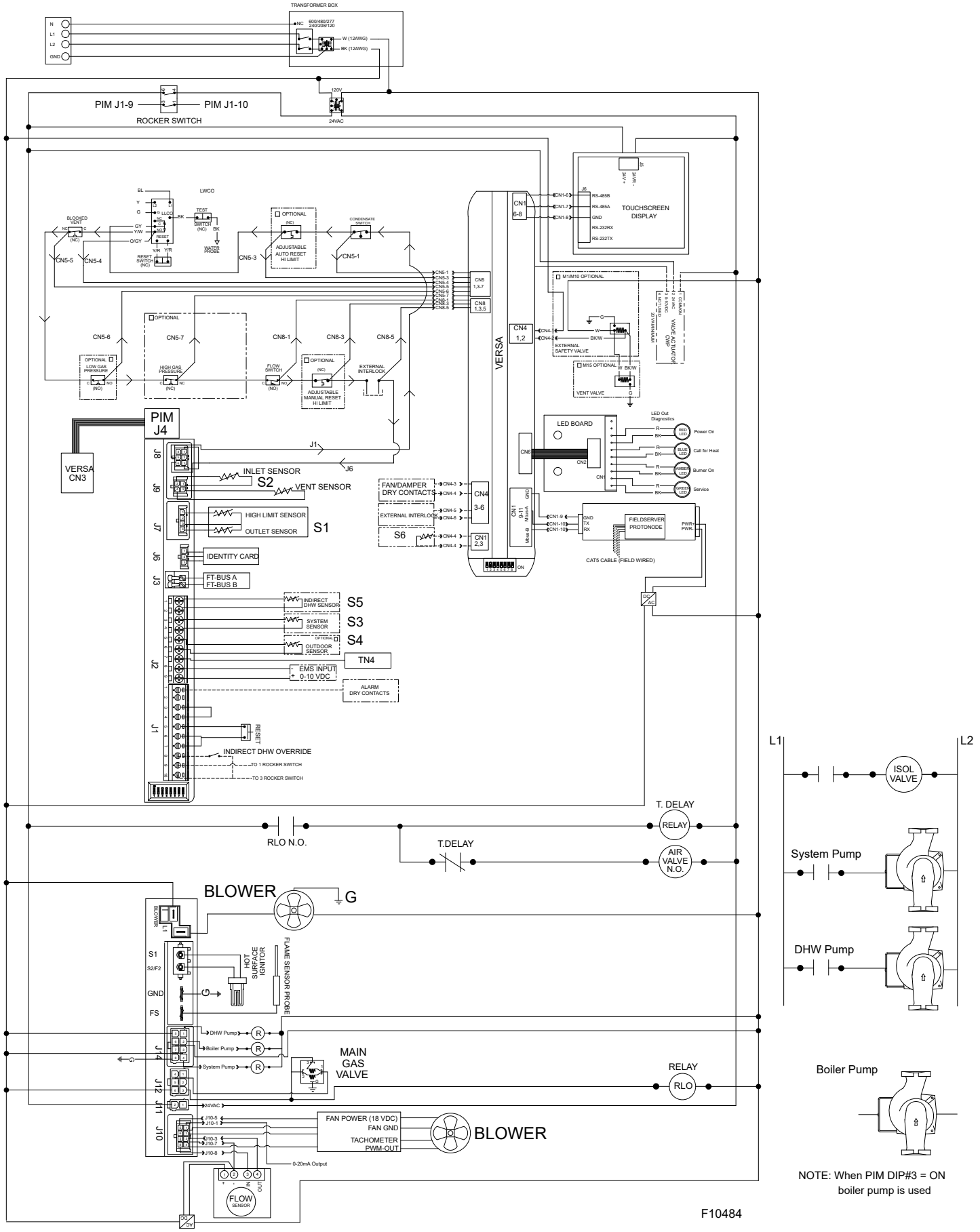


Figure 72. Reset Ratio

NOTE: The wiring diagrams in this manual show all standard options. Refer to the large wiring diagram provided with your boiler for options installed on your specific unit(s).

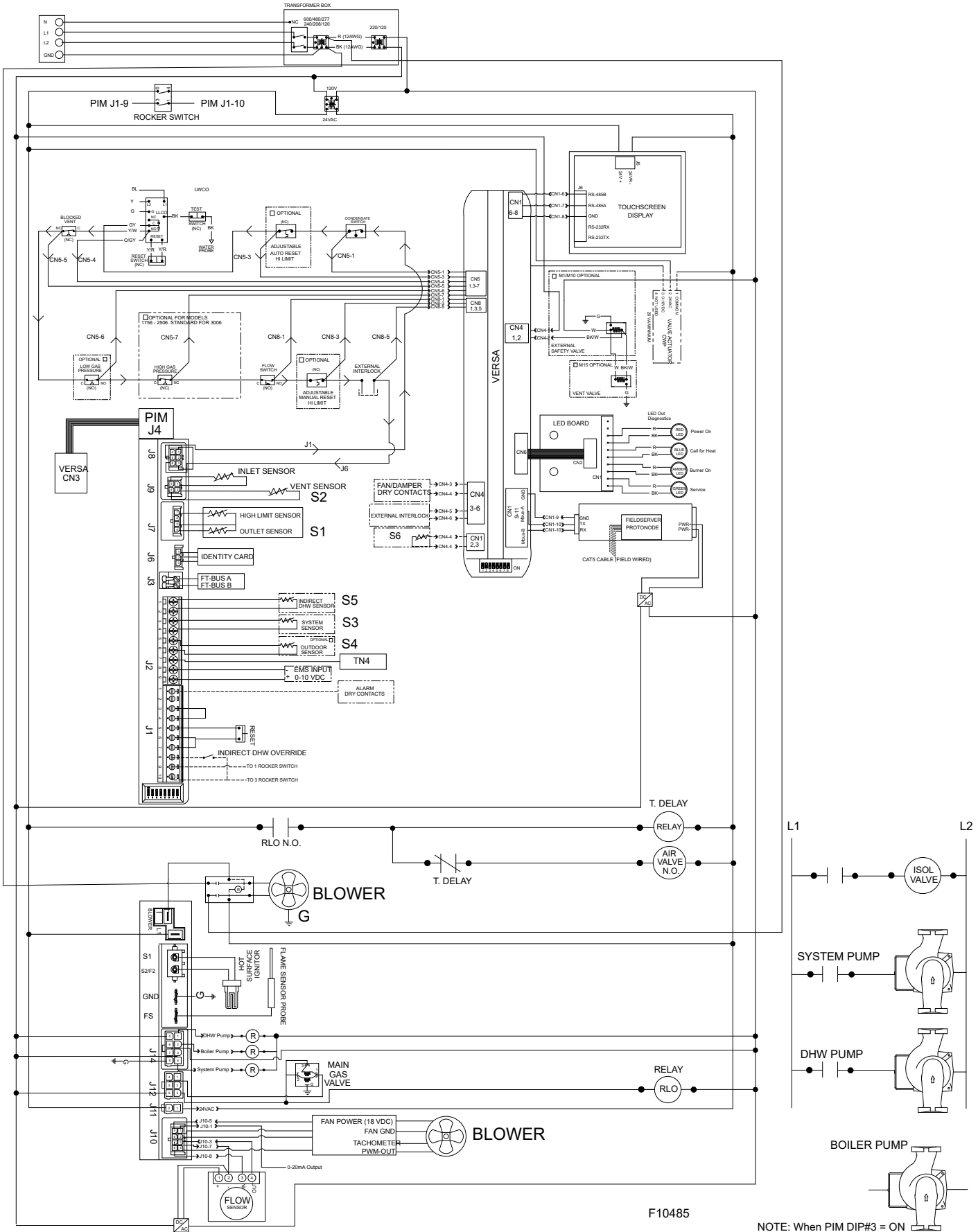
LADDER DIAGRAM FOR MODELS 0856-1506



F10484

NOTE: When PIM DIP#3 = ON boiler pump is used

LADDER DIAGRAM FOR MODELS 1756-3006



F10485

NOTE: When PIM DIP#3 = ON boiler pump is used

START-UP

NOTE: The following steps must be performed by a factory-trained technician.

Pre Start-up

Filling System (Heating Boilers)

Fill system with water. Purge all air from the system. Lower system pressure. Open valves for normal system operation, and fill system through feed pressure. Manually open air vent on the compression tank until water appears, then close vent.

Air Purge

Purge all air from system before boiler operation. This can normally be accomplished by opening a down-stream valve.

CAUTION: An air vent valve should be field-installed at the highest point in the system for proper operation.

Venting System Inspection

1. Check all vent pipe connections and flue pipe material.
2. Make sure vent terminations are installed per code and are clear of all debris or blockage.
3. Ensure vent material has been inputted into the VERSA IC.

Lighting Instructions/Warnings

For Your Safety

This appliance has a hot surface igniter. It is equipped with an ignition device which automatically lights the burners. Do not try to light the burners by hand.

WARNING: If you do not follow these instructions exactly, a fire or explosion may result causing property damage, personal injury or loss of life.

BEFORE OPERATING, smell all around the appliance area for gas. Be sure to smell near the floor because some gas is heavier than air and will settle on the floor.

WHAT TO DO IF YOU SMELL GAS:

- Do not try to light any appliance.
- Do not touch any electrical switch; do not use any telephone in your building.
- Immediately call your gas supplier from a neighbor's telephone. Follow the gas supplier's instructions.
- If you cannot reach your gas supplier, call the fire department.

- Use only your hand to turn the gas control valve handle. Never use tools. If the handle will not turn by hand, do not try to repair it; call a qualified service technician. Forced or attempted repair may result in a fire or explosion.
- Do not use this appliance if any part has been under water, immediately call a qualified service technician to inspect the appliance and to replace any part of the control system and any gas control which has been under water.
- Check around unit for debris and remove combustible products, i.e. gasoline, etc.

Pre Start-up Check

1. Verify the boiler is filled with water.
2. Check system piping for leaks. If found, repair immediately.
3. Vent air from system. Air in system can interfere with water circulation.
4. Purge air from gas line to boiler.
5. If unit is equipped with optional HO₂T, refer to the HO₂T manual (241781) section "Pre-Start Check".

Initial Start-up

Required tools

- (1) 12-0-12 (24" scale) U-tube manometer
- (2) 6-0-6 (12" scale) U-tube manometer
- Screwdrivers (assorted sizes and shapes)
- (1) Crescent wrench (8" or 10")
- (1) Multi-meter
- (1) Flue gas analyzer

(Metric Allen wrenches will be required for servicing the gas valve, but not during start-up)

Preparation

Check Power Supply

With multi-meter at incoming power, check voltage as noted in **Figure 34** or **Figure 35** as applicable:

WARNING: Do not turn on gas at this time.

Attach Manometers to Measure Pressures

NOTE: Digital manometers are not recommended.

1. Turn off main gas valve.
2. Attach (1) 12" scale manometer to an upstream bleedle valve on the gas supply pipe to the boiler (Measure point "A" in **Figure 73**).
3. Attach (1) 24" scale manometer to the manifold pressure tap located near the shutoff valve downstream of the firing valve (Measure point "C" in **Figure 73**).
4. Attach (1) 12" scale manometer on the fan suction pressure hose. Pull black cap from the air pressure tee as shown in **Figure 74** and connect the manometer.

NOTE: Retain caps for reinstallation later.

Check Gas Supply Pressure

1. Slowly turn on main gas shutoff valve.

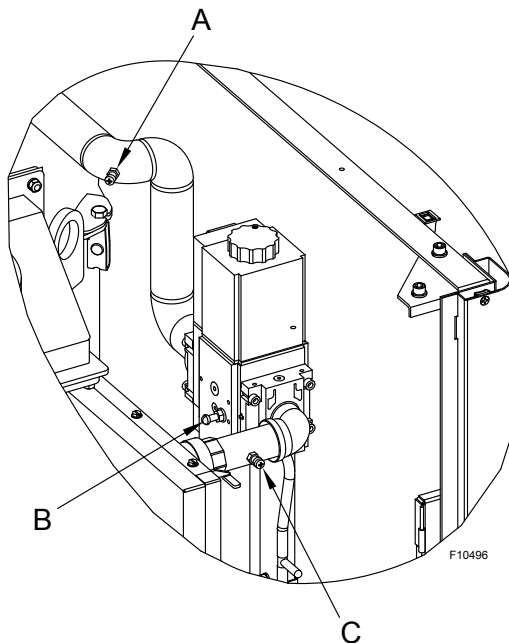


Figure 73. Gas Pressure Measurement Locations

2. Read the gas supply pressure from the manometer; minimum supply pressure for natural gas is 4" WC, recommended supply is 7" WC, minimum supply pressure for propane gas is 4" WC, recommended supply is 11" WC (dynamic readings, full fire input).
3. If the gas pressure is greater than 14" WC, turn off the main gas shutoff valve, upstream of the boiler.

Start-Up

NOTE: The values in Table AE and Table AF represent the conditions when the boiler is at full firing rate at sea level.

NOTE: Pressure and combustion data are provided with the boiler.

1. Turn power on.
2. If unit is equipped with optional HO₂T, refer to the HO₂T manual (241781) section "Start-Up".
3. Turn on the boiler, switch Enable/Disable rocker switch to top position to enable CFH wait approximately 15 seconds after the blower starts, the igniter should start to glow (observable through the observation port located on top of the combustion chamber. Gas valve should open in 45-60 seconds.
4. The boiler ignites at 30% to 40% of full rate (as indicated on the touch screen display of the temperature controller located behind the front panel).
5. If the burner fails to light on the first 4-second trial for ignition, it will try for ignition up to three times before going into lockout with the standard ignition module. If the boiler is equipped with the optional single-try ignition module, it will go into lockout.
6. Wait until the controller indicates 100% on the firing rate display screen (approximately 30 seconds).

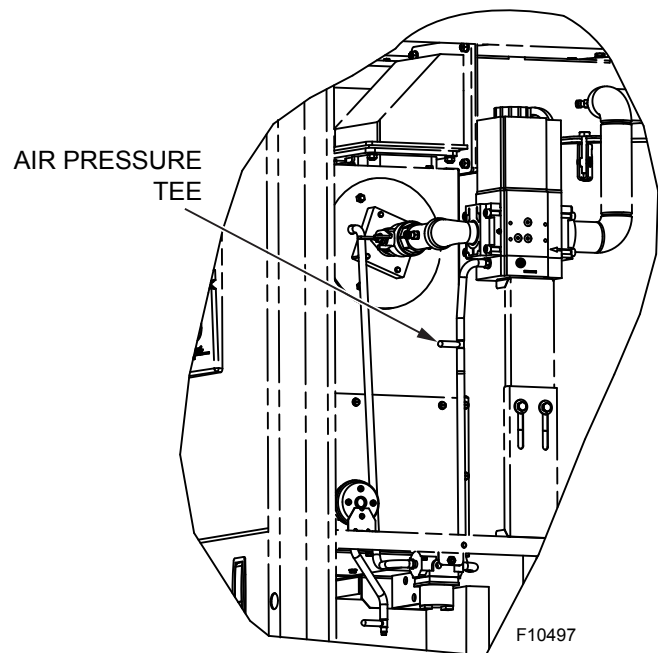


Figure 74. Air Pressure Tee

Blower Check

NOTE: If unit is equipped with option HO2T, refer to the HO2T manual (241781).

1. Check blower suction using the manometer attached to the air pressure tee at B as shown in **Figure 73**, with the boiler firing at 100% input. The reading should be as noted in **Table AE** for both natural and propane gas.

NOTE: Retain the black plastic cap removed to install the manometer. It needs to be replaced when the manometer is removed.

2. CO₂ and CO levels must be checked at 100% fire rate. When firing at 100%, the desired boiler combustion CO₂ is 8.6 to 9.4% for natural gas and 9.9 to 10.7% for propane gas with CO less than 100 ppm. If this combustion cannot be achieved with the blower suction within the tolerances specified in **Table AE**, contact the factory.
3. CO₂ and CO levels must be checked at minimum fire. When firing at minimum fire, the desired boiler combustion CO₂ is 7.5 to 9.0% for natural gas and 8.5 to 10.0% for propane gas with CO less than 100 ppm. If CO₂ values are not within the ranges specified; and if CO is above 100 ppm in either case, stop running the unit and contact your Raypak representative. Visit www.raypak.com for contact information.

⚠ WARNING: Improper installation, adjustment, alteration, service or maintenance can cause property damage, personal injury, exposure to hazardous materials or loss of life.

4. If the CO₂ values and air pressure values (**Table AE**) are outside of the tolerances noted, the air shutter should be adjusted slightly to bring the values back into the nominal range. See **Figure 4** for location of the air shutter (directly behind the touchscreen panel). Close the shutter slightly (clockwise) to increase the negative air pressure or raise the CO₂ values. Open shutter slightly (counter-clockwise) to lower the negative air pressure or lower the CO₂ values.

Manifold Check

1. Check manifold gas pressure at the gas valve outlet pressure tap (connection "C" in **Figure 73**). Refer to **Table AF** for natural and propane gas pressure ranges and tolerances.
2. If the CO₂ ranges specified in "**Blower Check**", step 2 are not achieved with the pressure and tolerance ranges specified in **Table AF**, STOP – Call the your Raypak representative for directions on what to do next! Visit www.raypak.com for contact information.

Model No.	Pressure (in. WC)		Setting Tolerance
	Natural Gas	Propane Gas	
0856	-0.9	-0.9	± 0.2" WC
1006	-1.2	-1.2	
1256	-1.9	-1.9	
1506	-2.5	-2.5	
1756	-0.5	-0.5	
2006	-0.6	-0.6	
2506	-0.8	-0.8	
3006	-1.1	-1.1	

Table AE. XVers Air Pressure Settings

Model No.	Pressure in W.C. (High Fire Values)		~10% Tolerance
	Natural Gas	Propane Gas	
0856	-2.4	-3.4	± 0.2" WC
1006	-3.0	-4.6	± 0.3" WC
1256	-5.2	-7.4	± 0.5" WC
1506	-6.1	-9.3	± 0.6" WC
1756	-2.3	-4.6	± 0.2" WC
2006	-3.0	-5.9	± 0.3" WC
2506	-4.0	-4.9	± 0.4" WC
3006	-6.0	-7.1	± 0.6" WC

Table AF. XVers Manifold Pressure Settings

⚠ CAUTION: Special manifold and air settings may be required.

User Test

Set DIP switch #1 on the VERSA IC to "ON". Set USER TEST = ON in the 'ToolBox' Menu to start the user test function.

USER TEST is displayed in the Title Field.

UP keystrokes are used to advance through the user test.

The Boil MIN/MAX steps for burner operation are only run for enabled boilers.

Local Heat/DHW/EMS demands must be present for burner operation.

Number Field	Output Action
SYS	System Pump relay turns on
DHW	DHW Pump relay turns on
PMP 1	System and Boiler Pump relays turn on
CWP	CWP Proportional output
Boil 1	Ignite Boiler Burner
Min 1	Hold Boiler at Min Fire
Max 1	Ramp Boiler to Max Fire and hold

Table AG. User Test Fields

- On the first press of the Up button, the test step is held and "HOLD" is flashed at 1Hz.
- On the second press of the Up button, the test step is incremented.
- If boiler outlet temperature reaches the PIM Hi-Limit, the boiler will be ramped down to keep the temperature in a safe range.
- Press of the Up button from Boiler Max will End the User Test function.
- CWP MUST be enabled (VERSA DIP #3) VALVE must be functioning during USER TEST.

NOTE: If USER TEST is performed with Cold Water Protection enabled (VERSA DIP 3 = ON), allow valve or VS pump test sequence to complete uninterrupted or a fault condition may occur.

Safety Inspection

1. Check all thermostats and high limit settings.
2. During the following safety checks leave manometers hooked up, check and record.
3. If other gas-fired appliances in the room are on the same gas main, check all pressures on the XVers with all other equipment running.
4. Check thermostats for ON-OFF operation.
5. Check high limits for ON-OFF operation.
6. While in operation, check flow switch operation.
7. Check the low gas pressure switch (if provided). (For proper adjustment, use the attached manometers, if available, to set pressure. The scales on the switch are approximate only.) Low gas pressure switch (if provided) must be set at 3" WC for natural gas and propane gas.
8. Make sure that the high gas pressure switch is set to 3" WC for both natural gas and propane gas.

Finishing

Record all data on the "Start-up Checklist" located at the back of this manual.

Disconnect the manometers and reconnect the cap on the fan pressure tee and reinsert the sealing screws into the bleedle valves.

Start-up is complete and the boiler should be operating properly.

Follow-Up

Safety checks must be recorded as performed.

Turn boiler on. After main burner ignition:

1. Check manometer for proper readings.
2. Cycle boiler several times and re-check readings.
3. Remove all manometers and replace caps and screws.
4. Check for gas leaks one more time.
5. To prepare for possible "limp-along" operation (if communication is ever lost between the VERSA and the PIM), set the operator Setpoint potentiometer on the PIM. Refer to VERSA IC Manual (241493) for setting the desired target setpoint.

Leak Test Procedure: Dual-Seat Gas Valve

Proper leak testing requires three pressure test points in the gas train. Remove the upper front panel to access the gas valve for this test. See **Figure 73**.

Test point A is a bleedle valve located upstream of the combination gas valve on the supply manifold.

Test point B is a bleedle valve located between the two automatic gas valve seats.

Test point C is a bleedle valve located downstream of both automatic gas valve seats and upstream of the manual valve. See **Figure 75**.

These tests are to be conducted with the electrical power to the boiler turned OFF.

1. Manually close the downstream leak test valve.
2. Open the bleedle valve at test point A and connect a manometer to it. Verify that there is gas pressure and that it is within the proper range (NOTE: must not exceed 14" WC).
3. Open test point B and connect a rubber tube to it. Connect the other end of the tube to a manometer and look for a build-up of pressure. Increasing pressure indicates a leaking gas valve which must be replaced.

4. Next, close the upstream manual gas valve (field supplied) and remove the manometers from the bleedle valves in test point A and test point B. Connect a rubber tube from the test point A bleedle valve to the test point B bleedle valve and open the upstream manual gas valve. Make sure that test point A and B bleedle valves have been opened so as to allow gas to flow. This will bring gas pressure to the second valve seat.
5. Open the bleedle valve at test point C and connect a second rubber tube to it. Connect the other end of the tube to a manometer and look for a build-up of pressure. Increasing pressure indicates a leaking gas valve which must be replaced.
6. Remove rubber tube and manometers. Close each bleedle valve as the tubes are removed.
7. After no leakage has been verified at all valve seats and test valve, open downstream leak test valve and restore electrical power to the boiler.

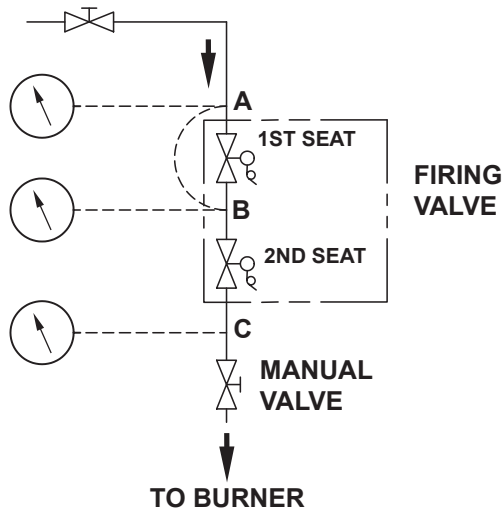


Figure 75. Leak Test Procedure

Post Start-Up Check

Check off steps as completed:

1. Verify that the boiler and heat distribution units are filled with water.
2. Open the caps on automatic air vent valves during the venting procedure.
3. Verify that air has been purged from the system.
4. Verify that air has been purged from the gas piping, and that the piping has been checked for leaks.
5. Confirm that the proper start-up procedures were followed.
6. Inspect burner to verify flame.
7. Test safety controls: test low water cut-off or additional safety controls for operation as outlined by manufacturer. Burner should be operating and should go off when controls are tested. When safety devices are restored, burners should re-ignite after pre-purge time delay.
8. To test the fixed manual-reset high limit built into the PIM, first set DIP switch #8 on the PIM to the ON position. This will activate a Commission Test Mode which will turn on the amber Alarm/Test LED on the PIM. The fixed high limit setting is temporarily overridden to match the setpoint potentiometer position on the PIM. The high limit can now be adjusted by the potentiometer to assist in commission testing and verification of high limit functionality. The VERSA IC will allow one-time operation of the limit and then must be returned to normal operation by turning DIP switch #8 back to the OFF position. Power to the unit must then be cycled off, then on to return to normal operation.
9. Test ignition system safety device:
 - a. Close downstream manual gas valve. See **Figure 75**. Turn power on.
 - b. Close Enable/Disable circuit to call-for-heat.
 - c. The burner should attempt three trials for ignition for the standard model and then lock out. Single-try ignition modules will try only once and then lock out.
 - d. Open manual gas valve. Reset the ignition control by pressing for one second and then releasing the reset button adjacent the user interface or at the PIM to clear the ignition fault.
10. To restart system, follow lighting instructions in the Operation section.
11. Check to see that the high limit control is set above the design temperature requirements of the system. For multiple zones: Check to make sure the flow is adjusted as required in each zone.
12. Check that the boiler is cycled with the thermostat. Raise the setting on the thermostat to the highest setting and verify that the boiler goes through the normal start-up cycle. Reduce to the lowest setting and verify that the boiler goes off.
13. Observe several operating cycles for proper operation.
14. Set the boiler thermostat to desired temperature.
15. Review all instructions shipped with this boiler with owner or maintenance person, return to envelope and give to owner or place the instructions inside front panel on boiler.

OPERATION

Lighting Instructions

1. Before operation, make sure you have read all of the safety information in this manual.
2. Remove upper front panel.
3. Set the thermostat to the lowest setting.
4. Turn off all electrical power to the appliance.
5. This appliance is equipped with an ignition device which automatically lights the burner. Do not try to light the burner by hand.
6. Turn on main manual gas valve field-installed near gas inlet connection on back of boiler.
7. Wait 5 minutes to clear out any gas. Then smell for gas, especially near the floor. If you then smell gas, STOP! Follow the steps in the safety information on the front cover of this manual. If you do not smell gas, go to next step.
8. Turn on all electrical power to the appliance.
9. Set thermostat to desired setting. The appliance will operate. The igniter will glow after the pre-purge time delay (15 seconds). After igniter reaches temperature (30 seconds) the main valve should open for a 4-second trial for ignition. System will try for ignition up to three times (one time on optional single-try ignition module). If flame is not sensed, lockout will commence.
10. If the appliance will not operate, follow the instructions "To Turn Off Gas To Appliance," and call your service technician or gas supplier.
11. Replace upper front panel.
12. If boiler fails to start, verify the following:
 - a. There are no loose connections or that the service switch is off or in the powered, but disabled position.
 - b. High temperature limit switch (optional) is set above water temperature or manual-reset high limit is not tripped.
 - c. Enable/Disable circuit is closed.
 - d. Gas is on at the meter and the boiler.
 - e. Incoming dynamic gas pressure to the gas valve is NOT less than 4" WC for natural gas or propane gas.

To Turn Off Gas To Appliance

1. Shut off manual gas valve field installed near gas inlet connection on back of boiler.
2. Remove upper front panel.
3. Move 3-position rocker switch to "OFF" position.
4. Turn off all electrical power to the appliance if service is to be performed.
5. Replace access panel.

TROUBLESHOOTING

XVers Error Codes

If any of the sensors detect an abnormal condition or an internal component fails during the operation of the XVers, the display may show the error. This code may either be the result of a temporary condition in which case the display will revert to its normal readout when the condition is corrected, or it may be the result of a condition that the controller has evaluated as not safe to restart the unit. In this case, the unit control will be locked out, requiring the maintenance person to manually reset the control by pressing and releasing the RESET key.

Heater Errors

When an error condition occurs, the controller will display an error code on the touch screen display. These error codes and several suggested corrective actions are included in the XVers Fault Text section on the following page.

Heater Faults

1. When a fault condition occurs, the controller will flash a red light on the PIM and display the error code on the user interface. The alarm output will also be activated. Most fault conditions will also cause the boiler pump to run in an attempt to cool the unit.
2. Note the error code, either through the flash code on the PIM and/or from the Toolbox menu on the user interface, and reference the explanation of the fault along with troubleshooting steps in the XVers fault text section.
3. Investigate and correct the cause of the fault.
4. Press and release the RESET key to clear the fault on the user interface and resume operation. Be sure to observe the operation of the unit for a period of time to ensure correct operation and no re-occurrence of fault code(s).

NOTE: It may be necessary to press RESET buttons on the specific safety control (e.g. optional adjustable manual-reset high limit, low gas pressure switch, high gas pressure switch, low water cutoff, etc).

⚠ DANGER: When servicing or replacing components that are in direct contact with the water, be certain that:

- There is no pressure in the boiler. (Pull the release on the relief valve. Do not depend on the pressure gauge reading).
- The boiler water is not hot.
- The electrical power is off.

⚠ WARNING: When servicing or replacing any components of this unit be certain that:

- The gas is off.
- All electrical power is disconnected.

⚠ WARNING: Do not use this appliance if any part has been under water. Improper or dangerous operation may result. Contact a qualified service technician to inspect the boiler and to repair or replace any part of the boiler that has been under water prior to placing the boiler back in operation.

⚠ CAUTION: Wiring errors can cause improper and dangerous operation. Verify proper operation after servicing. See wiring diagram.

⚠ CAUTION: If overheating occurs or the gas supply fails to shut off, do not turn off electrical power to the circulating pump. This may aggravate the problem and increase the likelihood of boiler damage. Instead, shut off the gas supply to the boiler at the gas service valve.

HO₂T Troubleshooting

Please refer to the HO₂T installation and operation manual (241781). 241781 can be found in the Raypak document library at www.raypak.com or can be viewed on your smart device. See QR Code on page 87.

Raymote Troubleshooting

Please refer to the Raymote installation and operation manual (241788). 241788 can be found in the Raypak document library at www.raypak.com or can be viewed on your smart device. See QR Code on page 87.

XVers Fault Text

Error Display

If there is an active error, then it is displayed as the first item in the Toolbox Menu and it is the default display for the control until the error is resolved.

NOTE. If unit is equipped with option HO₂T, refer to the HO₂T manual (241781).

Error Item	Description and Troubleshooting
OUTLET SEN	Check the outlet water sensor and its wiring
LIMIT SEN	Check the high limit sensor and its wiring
INLET SEN	Check the inlet sensor and its wiring
GAS PRESS	Check PIM wiring
IGNITION	Reset control, push and release RESET button
LIMIT TRIP	Boiler temperature tripped the high limit
FLAME	False flame detected. Shut off gas supply, recycle power
ID CARD	Identity card, check ID card and wiring
IGN CTRL	Internal control fault. Reset power, replace control
DELTA T	Temperature difference between the inlet and outlet exceeded the setpoint. Check water flow
LOW 24VAC	Low 24 VAC power. Check power supply wiring and transformer
BLOW SPEED	Blower speed out of range. Check blower wiring and blower
FLOW ERROR	The unit is not detecting enough flow to allow ignition sequence to take place
UNDER FLOW	The flow reading has drop under minimum requirements to keep the current operation point
FLOW WARNING	Operation conditions do not match current flow reading

Table AH. Error Display

LED Error Code Listing

Active errors detected are indicated by LED lights on the PIM.

NOTE. If unit is equipped with option HO₂T, refer to the HO₂T manual (241781).

Error Mode	LED Flash Code on PIM	Recommended Troubleshooting
Normal Operation	Red LED OFF	
ID Card Fault	Red LED Steady ON, Green Power LED OFF	Check that the proper ID Card is securely connected. Perform a power and system reset.
Internal Control Fault	Red LED Steady ON	Perform a power and system reset. If the fault remains, replace the PIM
N/A	Red LED – 1 Flash	N/A
False Flame Error	Red LED – 2 Flashes	Check for proper gas valve closure. Clean burner and electrodes
Ignition Lockout Fault	Red LED – 3 Flashes	Check the gas supply. Check transformer. Check igniters. Check wiring. Press reset button on PIM/membrane switch. Recycle power
Ignition Proving Current Fault	Red LED – 4 Flashes	Check HSI element. Replace as necessary
Low Voltage Fault	Red LED – 5 Flashes	Check the 24VAC input voltage – the voltage must be above 18.0VAC for proper operation. Replace transformer as necessary
N/A	Red LED – 6 Flashes	N/A
Hi-Limit Fault	Red LED – 7 Flashes	Check for proper water flow. Check hi-limit setting and outlet sensor
Sensor Fault	Red LED – 8 Flashes	Check the VERSA IC for fault identification. Check sensor and wiring
N/A	Red LED – 9 Flashes	Check wiring at J8, pins 1 and 3 for loose or missing jumper
Water Pressure Fault	Red LED – 10 Flashes	Check system piping for leaks. Check water pressure switch (if equipped) and connections. Check wiring on PIM at J1, pins 6 and 7 for loose or missing jumper
Blower Speed Fault	Red LED – 11 Flashes	Verify the tachometer signal and the connections at terminals J10 on the PIM. Confirm power to boiler is at or above minimum required
N/A	Red LED – 12 Flashes	Check wiring on PIM at J1, pins 3 and 4 for loose or missing jumper
Hi-Temperature Delta Fault	Red LED – 13 Flashes	Check pumps operation. Confirm proper water flow across heat exchanger (Delta T)
Ft_bus Communications Fault	Red LED – 14 Flashes	Verify that the VERSA IC is connected and operating properly. Check the cable between the PIM and the VERSA IC
General limit circuit fault	Red LED – 15 Flashes	Check the VERSA IC for fault indication and troubleshooting information

Table AI. PIM LED Error Codes

Sensor Resistance Values

Water Sensor / Outdoor Sensor	
Water Temperature	Resistance (ohms)
32°F (0°C)	32550
41°F (5°C)	25340
50°F (10°C)	19870
59°F (15°C)	15700
68°F (20°C)	12490
77°F (25°C)	10000
86°F (30°C)	8059
95°F (35°C)	6535
104°F (40°C)	5330
113°F (45°C)	4372
122°F (50°C)	3605
131°F (55°C)	2989
140°F (60°C)	2490
149°F (65°C)	2084
158°F (70°C)	1753
167°F (75°C)	1481
176°F (80°C)	1256
185°F (85°C)	1070
194°F (90°C)	915
203°F (95°C)	786
212°F (100°C)	667

Table AJ. Approximate Sensor Resistance Values

MAINTENANCE

Suggested Minimum Maintenance Schedule

Regular service by a qualified service agency and maintenance must be performed to ensure maximum operating efficiency.

Daily and monthly maintenance as outlined below may be performed by onsite maintenance staff.

NOTE. If unit is equipped with option HO₂T, refer to the HO₂T manual (241781).

Daily

1. Check that the area where the boiler is installed is free from combustible materials, gasoline, and other flammable vapors and liquids.
2. Check for and remove any obstruction to the flow of combustion or ventilation air to boiler.

Monthly

1. Check for piping leaks around pumps, mixing valves, relief valves, and other fittings. If found, repair at once. DO NOT use petroleum-based stop-leak compounds.
2. Visually inspect venting system for proper function, deterioration or leakage.
3. Visually inspect for proper operation of the condensate drain in the venting. If leaks are observed repair at once.
4. Check air vents for leakage.

Yearly (Beginning of each Heating Season)

Schedule annual service by qualified service agency.

1. Visually check top of vent for soot. Call service person to clean. Some sediment at bottom of vent is normal.
2. Visually inspect venting system for proper function, deterioration or leakage. Ensure that condensate drain is inspected and ensure that condensate is being directed to appropriate condensate treatment system or drain, as required by local codes.
3. Check that area is free from combustible materials, gasoline, and other flammable vapors and liquids.
4. Check air filter and replace as necessary.
5. Follow pre-start-up check in the Start-up section.
6. Check flame strength signal as noted on display Remove and visually inspect hot surface igniter and sensor for damage, cracking or debris build-up.
7. Check operation of safety devices. Refer to manufacturers' instructions.
8. Follow oil-lubricating instructions on pump (if required). Over-oiling will damage pump. Water-lubricated circulators do not need oiling.
9. To avoid potential of severe burn, DO NOT REST HANDS ON OR GRASP PIPES. Use a light touch; return piping will heat up quickly.
10. Check blower and blower motor.
11. Check for piping leaks around pumps, relief valves and other fittings. Repair, if found. DO NOT use petroleum-based stop-leak.

Periodically

1. Check relief valve. Refer to manufacturer's instructions on valve.
2. Test low water cut-off. Refer to manufacturer's instructions.
3. Check and clean strainer in y-strainer or suction diffuser for debris, if equipped.

Preventive Maintenance Schedule

The following procedures are recommended and are good practice for all XVers installations.

Daily

1. Check gauges, monitors and indicators.
2. Check instrument and equipment settings. See "Post Start-Up Check" on **page 69**.

Weekly

For low-pressure boilers, test low-water cut-off device. (With boiler in pre-purge, depress the low water cut-off test button. Appliance should shut off and ignition fault light should come on. Depress reset button on front of junction box panel to reset).

Monthly

1. Check flue, vent, stack, or outlet dampers.
2. Test blower air pressure. See "Blower Check" on **page 67**.
3. Test high and low gas pressure interlocks, if equipped. See "Safety Inspection" on **page 68**.

Semi-Annually

1. Recalibrate all indicating and recording gauges.
2. Check flame failure detection system components.
3. Check firing rate control by checking the manifold pressure. See "Manifold Check" on **page 67**.
4. Check piping and wiring of all interlocks and shutoff valves.
5. Check air filter and replace as necessary.

Annually

1. Test flame failure detection system and pilot turnaround.
2. Test high limit and operating temperature. See "Post Start-Up Check," **page 69**.
3. Check flame sensor.
4. Check flame signal strength. (Flame signal should be greater than 1 **microampere** as measured at the 2 pins on the bottom of the PIM).
5. Conduct a combustion test at full fire. CO₂ should be 8.6 to 9.4% at full fire for natural gas, and 9.9 to 10.7% for propane gas. CO should be less than 100 ppm.
6. Conduct a combustion test at minimum fire. CO must be less than 100 ppm for all fuels. CO₂ must be between 7.5 to 9.0% for natural gas, 8.5 to 10.0% for propane gas. If CO and CO₂ are not within these ranges, stop running the unit and contact your Raypak representative.

7. Check valve coil for 60-cycle hum or buzz. Check for leaks at all valve fittings using a soapy water solution (while boiler is operating). Test other operating parts of all safety shutoff and control valves and increase or decrease settings (depending on the type of control) until the safety circuit opens. Reset to original setting after each device is tested.
8. Perform leakage test on gas valves. See **Figure 75**.
9. Inspect and clean burner using shop air.
10. Drain heat exchanger and inspect the water side visually for build up or debris by removing inlet stub pipe or suction diffuser inspection cover.

As Required

1. Recondition or replace low water cut-off device.
2. Check sediment trap and gas strainers.
3. Check flame failure detection system. See "Post Start-Up Check," **page 69**.
4. Check igniter. Resistance reading should be 40-75 ohms at 77°F (25°C).
5. Check flame signal strength. (Flame signal should be greater than 1 **microampere** as measured at the 2 pins on the bottom of the PIM).
6. Check firing rate control by checking the manifold pressure. See "Manifold Check" on **page 67**.
7. Test safety/safety relief valves in accordance with ASME Heater and Pressure Vessel Code Section IV.

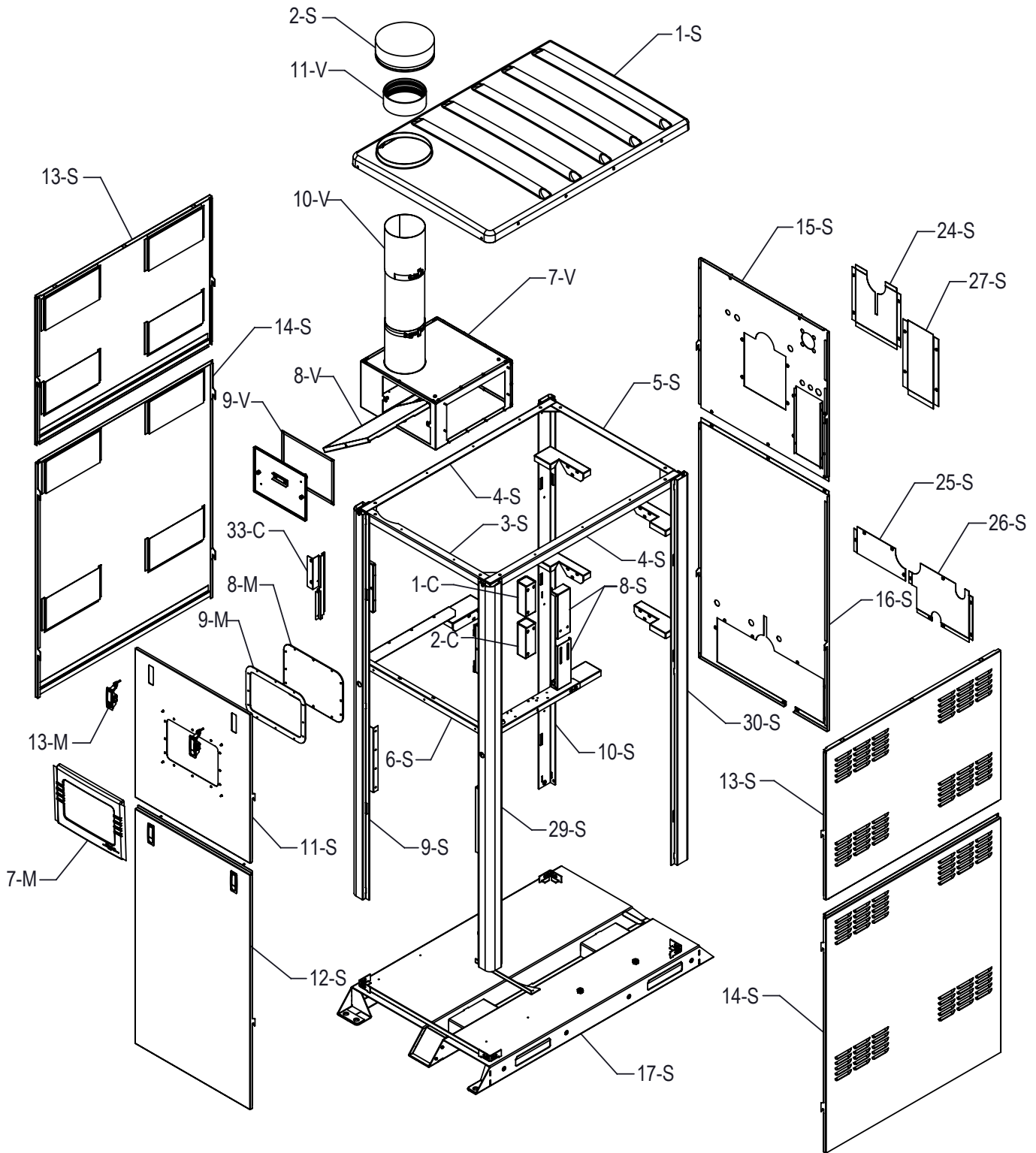
Filter Maintenance

- Inspect quarterly

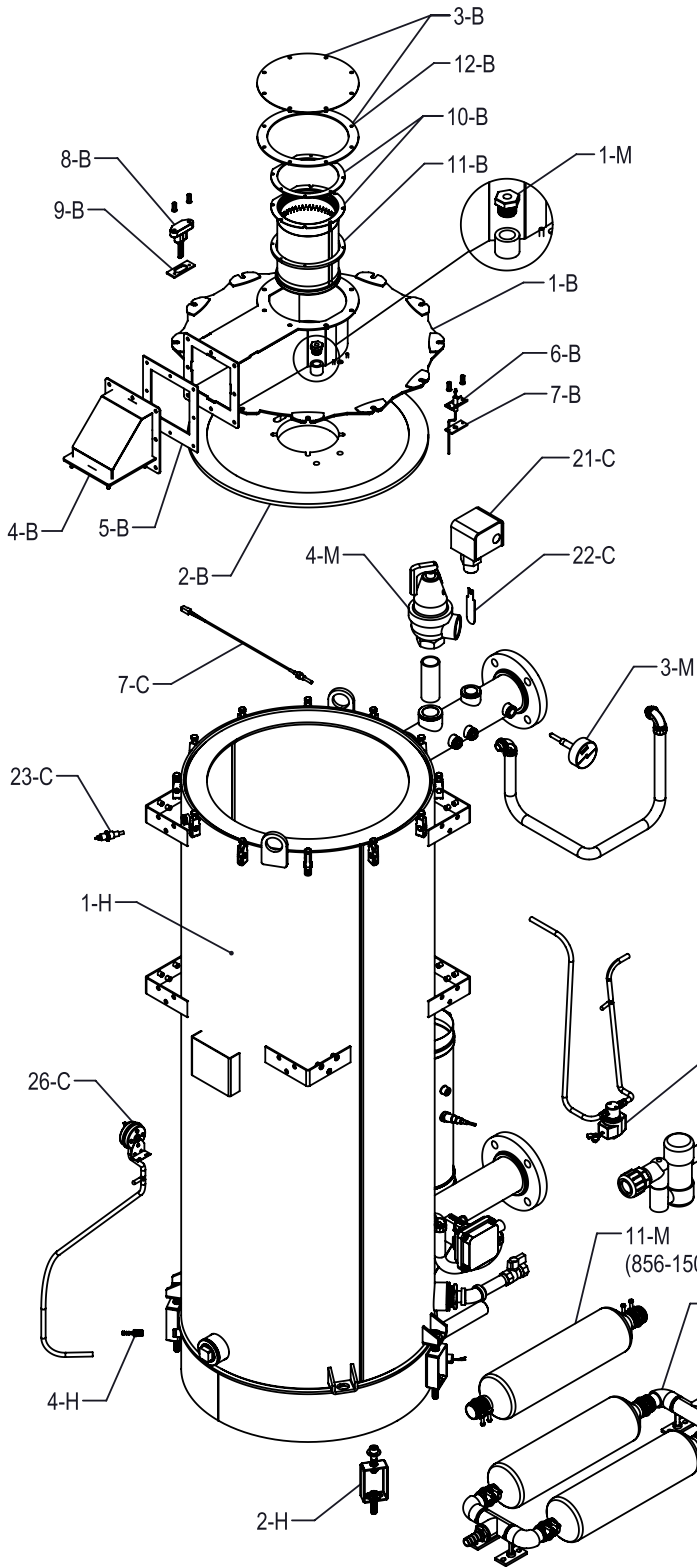
NOTE: Use Raypak replacement filters, for models 0856 - 1506 kit number 016860F; for models 1756 - 3006 kit number 012552F.

- Replace as needed. The recommended interval is once per year.

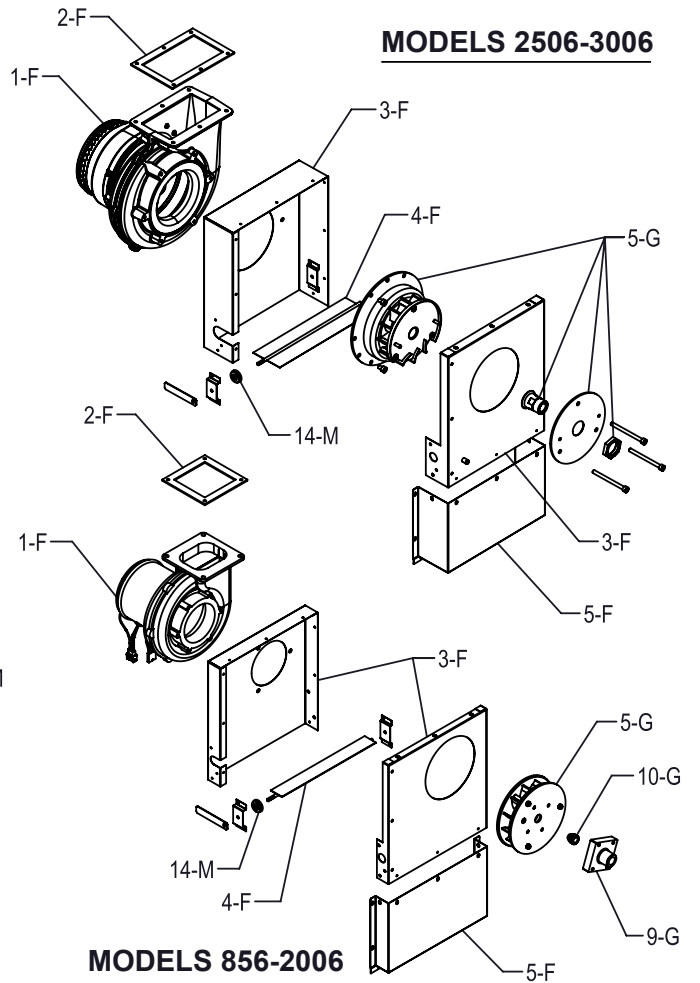
ILLUSTRATED PARTS LIST



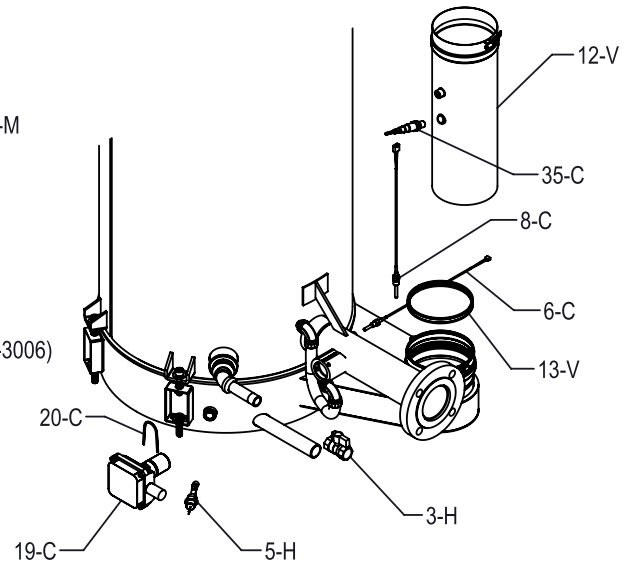
HEAT EXCHANGER / BLOWER



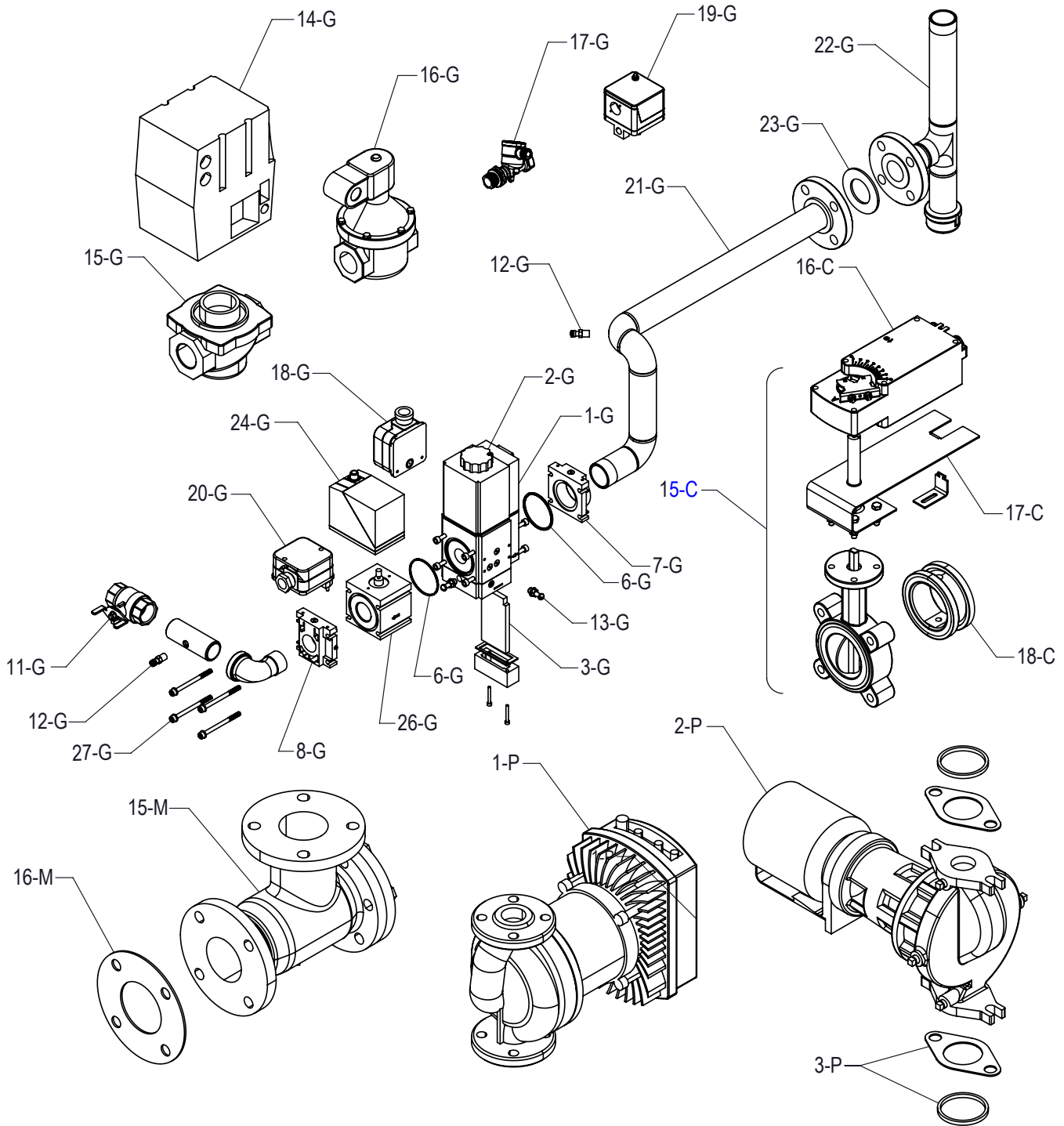
MODELS 2506-3006



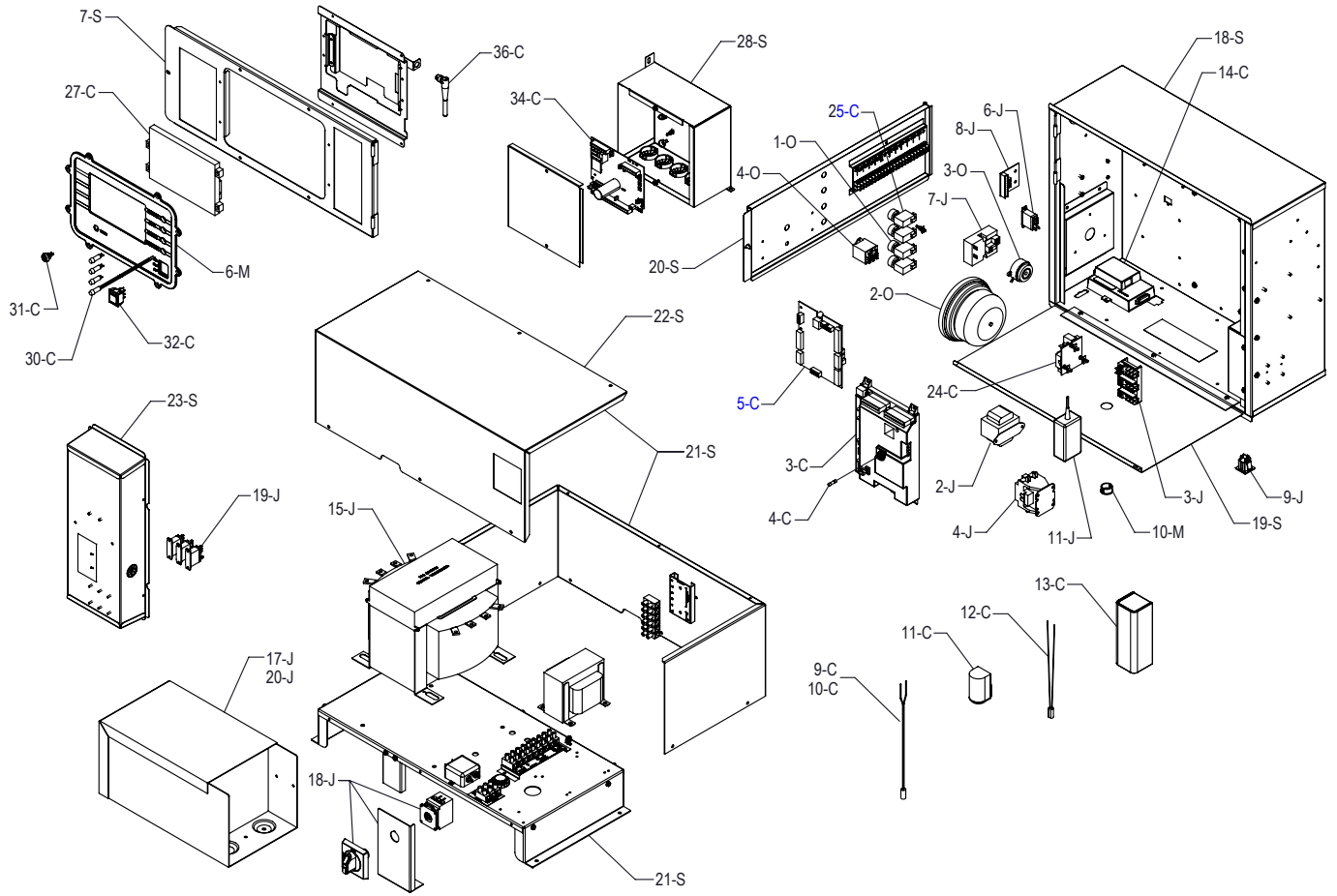
MODELS 856-2006



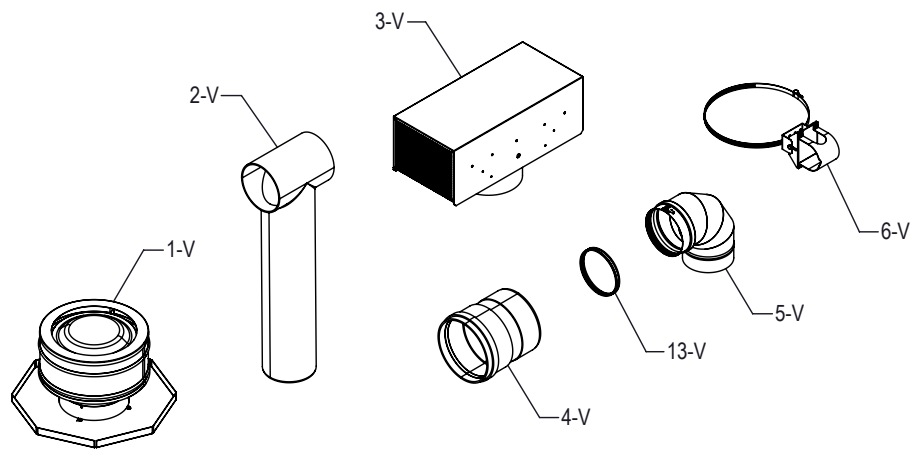
GAS TRAIN / ISOLATION VALVE / PUMPS / DIFFUSER / ACTUATOR



POWER SUPPLY / J-BOX



VENTING



CALL OUT	DESCRIPTION	856	1006	1256	1506	1756	2006	2506	3006
B	BURNER ASSEMBLY								
1-B	Combustion Chamber Top	016733F	016733F	016734F	016734F	016735F	016735F	016736F	016736F
2-B	Refractory/Gasket Combustion Chamber Top	016737F	016737F	016738F	016738F	016739F	016739F	016740F	016740F
3-B	Burner Access Plate & Gasket (Includes 12-B)	016741F	016741F	016742F	016742F	016743F	016743F	016744F	016744F
4-B	Adapter Assembly	016745F	016745F	016745F	016745F	016746F	016746F	016746F	016746F
5-B	Adapter Gaskets	016747F	016747F	016747F	016747F	016748F	016748F	016748F	016748F
6-B	Flame Sensor Probe	018772F	018772F	017954F	017954F	017954F	017954F	017954F	017954F
7-B	Sensor Gasket	016749F	016749F	016749F	016749F	016749F	016749F	016749F	016749F
8-B	Igniter Hot Surface	017953F	017953F	017953F	017953F	017953F	017953F	017953F	017953F
9-B	Igniter Gasket	016750F	016750F	016750F	016750F	016750F	016750F	016750F	016750F
10-B	Burner	016751F	016751F	016848F	016848F	016753F	016753F	016754F	016754F
11-B	Burner Gasket	016751F	016751F	016848F	016848F	016753F	016753F	016754F	016754F
12-B	Burner Access Gasket	019037F	019037F	019038F	019038F	019039F	019039F	019040F	019040F
C	CONTROLS								
1-C	Auto Reset Adjustable High Limit 200F Max	012546F	012546F	012546F	012546F	012546F	012546F	012546F	012546F
2-C	Manual Reset Adjustable High Limit 200F	008081F	008081F	008081F	008081F	008081F	008081F	008081F	008081F
3-C	PIM (Platform Ignition Module) Multi Try	016619F	016619F	016619F	016619F	016619F	016619F	016619F	016619F
	PIM (Platform Ignition Module) Single Try CSD-1	016620F	016620F	016620F	016620F	016620F	016620F	016620F	016620F
4-C	Fuse 5 Amp (Fast Acting)	013971F	013971F	013971F	013971F	013971F	013971F	013971F	013971F
5-C	PC Board VERSA IC	013935F	013935F	013935F	013935F	013935F	013935F	013935F	013935F
6-C	Inlet Sensor (2 Wire)	016759F	016759F	016759F	016759F	016759F	016759F	016759F	016759F
7-C	Outlet/Limit Sensor (4 Wire)	016760F	016760F	016760F	016760F	016760F	016760F	016760F	016760F
8-C	Flue Temperature Sensor 10K	016761F	016761F	016761F	016761F	016761F	016761F	016761F	016761F
9-C	System Water Sensor 10K	010787F	010787F	010787F	010787F	010787F	010787F	010787F	010787F
10-C	Indirect DHW Sensor 10K	010787F	010787F	010787F	010787F	010787F	010787F	010787F	010787F
11-C	Sensor Outdoor Air B-32	010786F	010786F	010786F	010786F	010786F	010786F	010786F	010786F
12-C	Sensor Water (Temp Tracker) B-36 thru B-38	012187F	012187F	012187F	012187F	012187F	012187F	012187F	012187F
13-C	Indirect Tank Aquastat Control B-65	007148F	007148F	007148F	007148F	007148F	007148F	007148F	007148F
14-C	Gateway BACnet Interface Module B-85	016617F	016617F	016617F	016617F	016617F	016617F	016617F	016617F
	Gateway LonWorks Interface Module B-86	016618F	016618F	016618F	016618F	016618F	016618F	016618F	016618F
15-C	2-Way Motorized Stainless Steel Isolation Valve	016762F	016762F	016762F	016762F	016762F	016762F	016762F	016762F
16-C	Actuator 2-Way Valve	016763F	016763F	016763F	016763F	016763F	016763F	016763F	016763F
17-C	Mounting Bracket Kit	015551F	015551F	015551F	015551F	015551F	015551F	015551F	015551F
18-C	Gasket Stainless Steel Valve Assy	015552F	015552F	015552F	015552F	015552F	015552F	015552F	015552F
19-C	Flow Sensor	016764F	016764F	016764F	016764F	016764F	016764F	016764F	016764F
20-C	Retainer Clip	016765F	016765F	016765F	016765F	016765F	016765F	016765F	016765F
21-C	Flow Switch	007142F	007142F	007142F	007142F	007142F	007142F	007142F	007142F
22-C	Flow Switch Paddle (Taco)	010026F	010026F	010026F	010026F	010026F	010026F	010026F	010026F
23-C	Remote Sensor (LWCO)	007228F	007228F	007228F	007228F	007228F	007228F	007228F	007228F
24-C	Control PC Board (LWCO)	007157F	007157F	007157F	007157F	007157F	007157F	007157F	007157F
25-C	Test / Reset Switch (LWCO)	005641F	005641F	005641F	005641F	005641F	005641F	005641F	005641F
26-C	Switch Air Pressure (Blocked Vent)	011760F	011760F	011760F	011760F	011760F	011760F	011760F	011760F
27-C	Touchscreen Display	018438F	018438F	018438F	018438F	018438F	018438F	018438F	018438F
28-C	SD Card Programmed (Not Shown)	015887F	015887F	015887F	015887F	015887F	015887F	015887F	015887F
29-C	Lithium Battery 3V (Not Shown)	015888F	015888F	015888F	015888F	015888F	015888F	015888F	015888F
30-C	Indicator Lamp LED	011848F	011848F	011848F	011848F	011848F	011848F	011848F	011848F
31-C	Display Reset Switch	015879F	015879F	015879F	015879F	015879F	015879F	015879F	015879F
32-C	Rocker Switch (3) Position	016795F	016795F	016795F	016795F	016795F	016795F	016795F	016795F
33-C	Control Bracket Mounting	017193F	017193F	017193F	017193F	017193F	017193F	017193F	017193F
34-C	PC Board Controller	017208F	017208F	017208F	017208F	017208F	017208F	017208F	017208F
35-C	Oxygen Sensor	017209F	017209F	017209F	017209F	017209F	017209F	017209F	017209F
36-C	Swivel Antenna	017198F	017198F	017198F	017198F	017198F	017198F	017198F	017198F
F	FAN / BLOWER								
1-F	Blower Combustion Air	016766F	016766F	016766F	016766F	016767F	016767F	016768F	016768F
2-F	Blower Gasket	016769F	016769F	016769F	016769F	016770F	016770F	016770F	016770F
3-F	Plenum Assembly	016771F	016771F	016771F	016771F	016772F	016772F	016773F	016773F
4-F	Air Shutter	016774F	016774F	016774F	016774F	014413F	014413F	014414F	014414F
5-F	Intake Air Adapter	016775F	016775F	016775F	016775F	016776F	016776F	016777F	016777F
G	GAS TRAIN								
1-G	Valve Gas Modulating 120V (Dungs) Natural Gas	016899F	016899F	016899F	016899F	016900F	016900F	016900F	016900F
	Valve Gas Modulating 120V (Dungs) Propane Gas	016899F	016899F	016899F	016899F	016900F	016900F	016900F	016900F
2-G	Valve Coil 120V	013201F	013201F	013201F	013201F	014693F	014693F	014693F	014693F
3-G	Inlet Gas Filter	012294F	012294F	012294F	012294F	012295F	012295F	012295F	012295F
4-G	Rich Light Valve	016778F	016778F	016778F	016778F	016778F	016778F	016778F	016778F
5-G	Swirlor	011888F	011888F	011888F	011888F	014418F	014418F	014419F	014419F
6-G	O-Rings (Includes Gas Valve and Adapter O-Rings)	012440F	012440F	012440F	012440F	012440F	012440F	012440F	012440F
7-G	Adapter Gas Valve 1" Inlet (Includes O-Rings)	011916F	011916F	011916F	011916F	N/A	N/A	N/A	N/A
	Adapter Gas Valve 2" Inlet (Includes O-Rings)	N/A	N/A	N/A	N/A	011917F	011917F	011917F	011917F
8-G	Adapter Gas Valve Outlet w/Shutter (Includes O-Ring)	013206F	013206F	013206F	013206F	014557F	014557F	014557F	014557F
9-G	Adapter Swirl Plate	012298F	012298F	012298F	012298F	012298F	012298F	N/A	N/A
10-G	Nozzle	012304F	012304F	012305F	012305F	014467F	014467F	014490F	014490F
11-G	Valve Gas Ball (WOG)	011769F	011769F	011769F	011769F	011769F	011769F	011769F	011769F
12-G	Bleedle Valve 1/8 MPT	007423F	007423F	007423F	007423F	007423F	007423F	007423F	007423F
13-G	Bleedle Valve G-1/8 BST	015400F	015400F	015400F	015400F	015400F	015400F	015400F	015400F
14-G	Motorized Safety Shut Off Actuator M-1(Optional)	011908F	011908F	011908F	011908F	011908F	011908F	011908F	011908F
15-G	Gas Valve Body M-1 (Optional)	014015F	014015F	014015F	014015F	014558F	014558F	014469F	014469F
16-G	Solenoid Safety Shut Off Valve M-10 (Optional)	011910F	011910F	011910F	011910F	011911F	011911F	014470F	014470F
17-G	Vent Valve Gas M-15 (Optional)	011913F	011913F	011913F	011913F	011914F	011914F	014471F	014471F
18-G	Switch Low Gas Pressure (Optional)	011770F	011770F	011770F	011770F	011770F	011770F	011770F	011770F
19-G	Switch Low Gas Pressure w/M-1 or M-10 (Optional)	007187F	007187F	007187F	007187F	007187F	007187F	007187F	007187F
20-G	Switch High Gas Pressure (Optional Models 856-2506)	011771F	011771F	011771F	011771F	011771F	011771F	011771F	011771F
21-G	Gas Manifold Assy	016779F	016779F	016780F	016780F	016781F	016781F	016782F	016782F
22-G	Sediment Trap	016783F	016783F	016783F	016783F	016784F	016784F	016785F	016785F
23-G	Flange Gasket	016786F	016786F	016786F	016786F	016787F	016787F	016787F	016787F
24-G	SMRD Actuator	017210F	017210F	017210F	017210F	017210F	017210F	017210F	017210F
25-G	O-Ring Seal (Not Shown)	017221F	017221F	017221F	017221F	017222F	017222F	017222F	017222F
26-G	SMRD Body	017211F	017211F	017211F	017211F	017212F	017212F	017212F	017212F
27-G	Bolt/Washers	017213F	017213F	017213F	017213F	017220F	017220F	017220F	017220F

CALL OUT	DESCRIPTION	856	1006	1256	1506	1756	2006	2506	3006
H	HEAT EXCHANGER								
1-H	Heat Transfer Stainless Steel	016788F	016788F	016789F	016789F	016790F	016790F	016791F	016791F
2-H	Anchor Bracket	016792F	016792F	016792F	016792F	016792F	016792F	016793F	016793F
3-H	Drain Valve	013208F	013208F	013208F	013208F	013208F	013208F	013208F	013208F
4-H	Hose Adapter	016794F	016794F	016794F	016794F	016794F	016794F	016794F	016794F
5-H	Condensate Float Switch	015649F	015649F	015649F	015649F	015649F	015649F	015649F	015649F
J	CONTROL BOX								
1-J	Control Box Complete	N/A	N/A	N/A	N/A	N/A	N/A	N/A	N/A
2-J	Transformer 115/230V 43VA	014404F	014404F	014404F	014404F	014404F	014404F	014404F	014404F
3-J	Terminal Block w / Ground Lug	008523F	008523F	008523F	008523F	008523F	008523F	008523F	008523F
4-J	Blower Contactor DPST 24 VAC	N/A	N/A	N/A	N/A	009860F	009860F	009860F	009860F
5-J	Blower Relay SPDT 120 VAC	012126F	012126F	012126F	012126F	N/A	N/A	N/A	N/A
6-J	Rich Light Relay SPDT 120 VAC	012126F	012126F	012126F	012126F	012126F	012126F	012126F	012126F
7-J	Time Delay Relay 5 Second	008921F	008921F	008921F	008921F	008921F	008921F	008921F	008921F
8-J	PC Board Adapter Status Lights Wiring	014712F	014712F	014712F	014712F	014712F	014712F	014712F	014712F
9-J	Power Receptacle	016805F	016805F	016805F	016805F	016805F	016805F	016805F	016805F
10-J	Fuse 5 Amp Slow Blow (Not Shown)	013972F	013972F	013972F	013972F	013972F	013972F	013972F	013972F
11-J	AC/DC Adapter	011719F	011719F	011719F	011719F	011719F	011719F	011719F	011719F
12-J	Power Input/Transformer Box	N/A	N/A	N/A	N/A	N/A	N/A	N/A	N/A
13-J	Transformer 220/120V 300VA	N/A	N/A	N/A	N/A	N/A	N/A	N/A	N/A
14-J	Transformer 208/230V 5000VA (Not Shown)	N/A	N/A	N/A	N/A	N/A	N/A	N/A	015736F
15-J	Transformer 600/480V 5000VA 60HZ 1PH	016806F	016806F	016806F	016806F	016806F	016806F	016806F	016806F
16-J	Transformer 100V-230V 600VA 50/60HZ 1PH	016807F	016807F	016807F	016807F	016807F	016807F	016807F	016807F
17-J	Transformer 120/208/240/277 5kVA 1PH	N/A	N/A	N/A	N/A	016809F	016809F	016809F	016809F
18-J	On / Off Shut Down Breaker Switch 30 Amp	N/A	N/A	N/A	N/A	N/A	N/A	N/A	N/A
	On / Off Shut Down Breaker Switch 600V 30 Amp	017055F	017055F	017055F	017055F	017055F	017055F	017055F	017055F
19-J	Pump Relay SPDT 120 VAC (Rear Wiring Box)	012126F	012126F	012126F	012126F	012126F	012126F	012126F	012126F
20-J	Transformer 120/208/240/277 3kVA 1PH	017024F	017024F	017024F	017024F	N/A	N/A	N/A	N/A
M	MISCELLANEOUS COMPONENTS								
1-M	Window Combustion Chamber	016796F	016796F	016796F	016796F	016796F	016796F	016796F	016796F
1-M	(Units Manufactured prior to 10/15/19)	016796F	016796F	016796F	016796F	016796F	016796F	016796F	016796F
1-M	(Units Manufactured after 10/15/19)	018740F	018740F	018740F	018740F	018740F	018740F	018740F	018740F
2-M	Combustion Chamber Window Seal (Not Shown)	016797F	016797F	016797F	016797F	016797F	016797F	016797F	016797F
3-M	T & P Gauge 0-90 PSI	007205F	007205F	007205F	007205F	007205F	007205F	007205F	007205F
	T & P Gauge 0-200 PSI	007399F	007399F	007399F	007399F	007399F	007399F	007399F	007399F
	T & P Gauge 0-230 PSI	014221F	014221F	014221F	014221F	014221F	014221F	014221F	014221F
4-M	PRV 30 PSI	007748F	007748F	007748F	007748F	007748F	007748F	008088F	008088F
	PRV 45 PSI	007221F	007221F	007751F	007751F	007752F	N/A	N/A	N/A
	PRV 60 PSI	007222F	007222F	007222F	007222F	008288F	008288F	007755F	007755F
	PRV 75 PSI	007223F	007223F	007756F	007756F	007756F	007756F	007757F	007757F
	PRV 150 PSI	007225F	007225F	007225F	007225F	007225F	007225F	012313F	012313F
5-M	RTV Sealant 2.8 oz. (Not Shown)	008924F	008924F	008924F	008924F	008924F	008924F	008924F	008924F
	RTV Sealant 10 oz. (Not Shown)	005755F	005755F	005755F	005755F	005755F	005755F	005755F	005755F
6-M	Control Bezel Inner	016798F	016798F	016798F	016798F	016798F	016798F	016798F	016798F
7-M	Control Bezel Outer	016799F	016799F	016799F	016799F	016799F	016799F	016799F	016799F
8-M	Window Control Bezel	016800F	016800F	016800F	016800F	016800F	016800F	016800F	016800F
9-M	Window Gasket	016801F	016801F	016801F	016801F	016801F	016801F	016801F	016801F
10-M	Sight Window Plug	008474F	008474F	008474F	008474F	008474F	008474F	008474F	008474F
11-M	Condensate Treatment Kit	012050	012050	012050	012050	012051	012051	012051	012051
12-M	Touch-up Paint								
	Warm Dark Gray	750258	750258	750258	750258	750258	750258	750258	750258
	Cool Dark Gray	750256	750256	750256	750256	750256	750256	750256	750256
13-M	Flush Mount Handle with Key Locking (Optional)	016802F	016802F	016802F	016802F	016802F	016802F	016802F	016802F
	Flush Mount Handle with Phillips Locking	016803F	016803F	016803F	016803F	016803F	016803F	016803F	016803F
	Flush Mount Handle Non-Locking	016804F	016804F	016804F	016804F	016804F	016804F	016804F	016804F
14-M	Shutter Seal Grommet	014494F	014494F	014494F	014494F	014494F	014494F	014494F	014494F
15-M	Water Flow Suction Diffuser/Straightener	016810F	016810F	016810F	016810F	016810F	016810F	016810F	016810F
16-M	Flange Gasket (4 Bolt)	015544F	015544F	015544F	015544F	015544F	015544F	015544F	015544F
17-M	Condensate Trap	018795F	018795F	018795F	018795F	018795F	018795F	018795F	018795F
O	OPTIONS								
1-O	Silencer/Reset Switch (Alarm/Buzzer)	005641F	005641F	005641F	005641F	005641F	005641F	005641F	005641F
2-O	Alarm Bell 4" 24V	005643F	005643F	005643F	005643F	005643F	005643F	005643F	005643F
3-O	Alarm Buzzer 24V	005640F	005640F	005640F	005640F	005640F	005640F	005640F	005640F
4-O	Relay 3PDT 24 VAC (Alarm)	014717F	014717F	014717F	014717F	014717F	014717F	014717F	014717F
P	PUMPS*								
1-P	Variable Speed Stainless Steel Pump	016811F	016811F	016811F	016811F	016811F	016811F	016811F	016812F
2-P	Fixed Speed Pump*								
	Cast Iron	007233F	007233F	007233F	011846F	011846F	011846F	007354F	950648
	Bronze	007227F	007227F	007227F	011845F	011845F	011845F	007348F	951288
3-P	Pump Flange Gasket (2 Bolt) Fixed Speed	013423F	013423F	013423F	013423F	013423F	013423F	013423F	013423F

CALL OUT	DESCRIPTION	856	1006	1256	1506	1756	2006	2506	3006
S	SHEETMETAL/CABINET								
1-S	Plastic Jacket Top	016813F	016813F	016814F	016814F	016815F	016815F	016816F	016816F
2-S	Intake Air Cap	016817F	016817F	016817F	016817F	016817F	016817F	016817F	016817F
3-S	Upper Cabinet Support Front	016866F	016866F	016866F	016866F	016867F	016867F	016867F	016867F
4-S	Upper Cabinet Support Side	016868F	016868F	016869F	016869F	016870F	016870F	016871F	016871F
5-S	Upper Cabinet Support Rear	016872F	016872F	016872F	016872F	016873F	016873F	016873F	016873F
6-S	Cabinet Supports Front	016874F	016874F	016874F	016874F	016875F	016875F	016875F	016875F
7-S	Bezel Frame Assy	016818F	016818F	016818F	016818F	016819F	016819F	016819F	016819F
8-S	Gas Train/Valve Support	016820F	016820F	016820F	016820F	016820F	016820F	016820F	016820F
9-S	Vertical Cabinet Supports with Stiffeners Front	016821F	016821F	016821F	016821F	016821F	016821F	016821F	016821F
10-S	Vertical Cabinet Supports with Stiffeners Rear	016822F	016822F	016822F	016822F	016822F	016822F	016822F	016822F
11-S	Jacket Upper Front Panel for Touchscreen	016823F	016823F	016823F	016823F	016824F	016824F	016824F	016824F
12-S	Jacket Lower Front Panel	016825F	016825F	016825F	016825F	016826F	016826F	016826F	016826F
13-S	Jacket Upper Side Panel	016827F	016827F	016828F	016828F	016829F	016829F	016830F	016830F
14-S	Jacket Lower Side Panel	016831F	016831F	016832F	016832F	016833F	016833F	016834F	016834F
15-S	Jacket Upper Rear Panel	016836F	016836F	016837F	016837F	016838F	016838F	016839F	016839F
16-S	Jacket Lower Rear Panel	016886F	016886F	016887F	016887F	016888F	016888F	016889F	016889F
17-S	Base Assembly	016840F	016840F	016841F	016841F	016842F	016842F	016843F	016843F
18-S	Control Box	016808F	016808F	016808F	016808F	016808F	016808F	016808F	016808F
19-S	Control Box Cover Panel	016876F	016876F	016876F	016876F	016876F	016876F	016876F	016876F
20-S	Field Wiring/Display Mounting Panel	016844F	016844F	016844F	016844F	016844F	016844F	016844F	016844F
21-S	Power Supply Box	016877F	016877F	016877F	016877F	016877F	016877F	016877F	016877F
22-S	Power Supply Cover Panel	016878F	016878F	016878F	016878F	016878F	016878F	016878F	016878F
23-S	Wiring Box	016845F	016845F	016845F	016845F	016845F	016845F	016845F	016845F
24-S	Access Panel Water Connections	016846F	016846F	016846F	016846F	016846F	016846F	016846F	016846F
25-S	Access Panel Lower Rear	016879F	016879F	016880F	016880F	016847F	016847F	016881F	016881F
26-S	Access Panel Float Switch	016850F	016850F	016851F	016851F	016852F	016852F	016853F	016853F
27-S	Access Panel Wiring Box	016854F	016854F	016854F	016854F	016854F	016854F	016854F	016854F
28-S	Wiring Box O2 Trim	077181F	077181F	077181F	077181F	077181F	077181F	077181F	077181F
29-S	Vertical Cabinet Supports with Stiffeners RT/FT	017194F	017194F	017194F	017194F	017194F	017194F	017194F	017194F
30-S	Vertical Cabinet Supports with Stiffeners RT/RR	017195F	017195F	017195F	017195F	017195F	017195F	017195F	017195F
V	VENTING								
1-V	Vertical Stack Termination	014622F	014622F	014623F	014623F	014623F	014623F	014553F	014553F
2-V	Outdoor Stack Termination Tee	016882F	016882F	016883F	016883F	016883F	016883F	016884F	016884F
3-V	Vent Cap Horizontal Thru-the-Wall for Indoor Units	016720	016720	016721	016721	016721	016721	016722	016722
4-V	Flue Exhaust Adapter for Polypropylene Venting	016855F	016855F	016856F	016856F	016856F	016856F	015768F	015768F
5-V	Flue Exhaust Adapter for PVC Venting	016896	016896	016897	016897	016897	016897	016898	016898
6-V	Flue Exhaust Vent Support	016885F	016885F	016885F	016885F	016885F	016885F	016885F	016885F
7-V	Intake Air filter Box	016857F	016857F	016857F	016857F	016859F	016859F	016859F	016859F
8-V	Air Filter Media	016860F	016860F	016860F	016860F	012552F	012552F	012552F	012552F
9-V	Gasket Filter Cover	016861F	016861F	016861F	016861F	016861F	016861F	016861F	016861F
10-V	Intake Air Collar	016862F	016862F	016862F	016862F	016863F	016863F	016863F	016863F
11-V	Intake Air Connection Sleeve	016864F	016864F	016864F	016864F	016865F	016865F	016865F	016865F
12-V	Flue Exhaust Vent	017186F	017186F	017187F	017187F	017187F	017187F	017188F	017188F
13-V	Flue Exhaust Gasket	017732F	017732F	017733F	017733F	017733F	017733F	017734F	017734F
W	WIRING								
1-W	Wire Harnesses (Not Shown)								
	Diagnostic Panel Ribbon Cable 10 PIN	016486F	016486F	016486F	016486F	016486F	016486F	016486F	016486F
	Bell & Alarm Harness	016702F	016702F	016702F	016702F	016702F	016702F	016702F	016702F
	Buzzer & Alarm Harness	016702F	016702F	016702F	016702F	016702F	016702F	016702F	016702F
	Gas Valve /Ignitor/Blower Harness	016703F	016703F	016703F	016703F	016704F	016704F	016704F	016704F
	Blower Harness	N/A	N/A	N/A	N/A	N/A	N/A	016719F	016719F
	Safety & Sensor Wire Harness	016705F	016705F	016705F	016705F	016705F	016705F	016705F	016705F
	Touchscreen/LED Lights Harness	016706F	016706F	016706F	016706F	016706F	016706F	016706F	016706F
	Transformer 480/600 VAC Harness	016707F	016707F	016707F	016707F	016707F	016707F	016707F	016707F
	Rich Light Harness	016708F	016708F	016708F	016708F	016709F	016709F	016709F	016709F
	120V Harness	016710F	016710F	016710F	016710F	N/A	N/A	N/A	N/A
	240/120V Harness	N/A	N/A	N/A	N/A	016711F	016711F	016711F	016711F
	Control Box 120V Harness	016712F	016712F	016712F	016712F	N/A	N/A	N/A	N/A
	Control Box 120/240V Harness	N/A	N/A	N/A	N/A	016713F	016713F	016713F	016713F
	Control Box Safety/Sensor	016714F	016714F	016714F	016714F	016714F	016714F	016714F	016714F
	Versa IC Communication Cable	015556F	015556F	015556F	015556F	015556F	015556F	015556F	015556F
	Boiler ID Harness	016715F	016715F	016715F	016715F	016715F	016715F	016715F	016715F
	High Limit Manual Adjustable Harness	016716F	016716F	016716F	016716F	016716F	016716F	016716F	016716F
	High Limit Auto Adjustable Harness	016509F	016509F	016509F	016509F	016509F	016509F	016509F	016509F
	Pump Power High Voltage Harness	016717F	016717F	016717F	016717F	016717F	016717F	016717F	016717F
	Low Gas Pressure Switch Harness	016512F	016512F	016512F	016512F	016512F	016512F	016512F	016512F
	High Gas Pressure Switch Harness	016718F	016718F	016718F	016718F	016718F	016718F	016718F	016718F

* For individual TACO 1600 series pump parts see separate pump parts IPL 9300.100

IMPORTANT INSTRUCTIONS FOR THE COMMONWEALTH OF MASSACHUSETTS

The Commonwealth of Massachusetts requires compliance with regulation 248 CMR 4.00 and 5.00 for installation of through-the-wall vented gas appliances as follows:

(a) For all side wall horizontally-vented gas-fueled equipment installed in every dwelling, building or structure used in whole or in part for residential purposes, including those owned or operated by the Commonwealth and where the side wall exhaust vent termination is less than seven (7) feet above finished grade in the area of the venting, including but not limited to decks and porches, the following requirements shall be satisfied:

1. **INSTALLATION OF CARBON MONOXIDE DETECTORS.** At the time of installation of the side wall horizontal vented gas-fueled equipment, the installing plumber or gasfitter shall observe that a hard wired carbon monoxide detector with an alarm and battery back-up is installed on the floor level where the gas equipment is to be installed. In addition, the installing plumber or gasfitter shall observe that a battery operated or hard wired carbon monoxide detector with an alarm is installed on each additional level of the dwelling, building or structure served by the side wall horizontal vented gas-fueled equipment. It shall be the responsibility of the property owner to secure the services of qualified licensed professionals for the installation of hard wired carbon monoxide detectors

a. In the event that the side wall horizontally-vented gas-fueled equipment is installed in a crawl space or an attic, the hard wired carbon monoxide detector with alarm and battery back-up may be installed on the next adjacent floor level.

b. In the event that the requirements of this subdivision can not be met at the time of completion of installation, the owner shall have a period of thirty (30) days to comply with the above requirements; provided, however, that during said thirty (30) day period, a battery operated carbon monoxide detector with an alarm shall be installed.

2. **APPROVED CARBON MONOXIDE DETECTORS.** Each carbon monoxide detector as required in accordance with the above provisions shall comply with NFPA 720 and be ANSI/UL 2034 listed and IAS certified.

3. **SIGNAGE.** A metal or plastic identification plate shall be permanently mounted to the exterior of the building at a minimum height of eight (8) feet above grade directly in line with the exhaust vent terminal for the horizontally-vented gas-fueled heating appliance or equipment. The sign shall read, in print size no less than one-half (1/2) inch in size, "GAS VENT DIRECTLY BELOW. KEEP CLEAR OF ALL OBSTRUCTIONS".

4. **INSPECTION.** The state or local gas inspector of the side wall horizontally-vented gas-fueled equipment shall not approve the installation unless, upon inspection, the inspector observes carbon monoxide detectors and signage installed in accordance with the provisions of 248 CMR 5.08(2)(a)1 through 4.

(b) **EXEMPTIONS:** The following equipment is exempt from 248 CMR 5.08(2)(a)1 through 4:

1. The equipment listed in Chapter 10 entitled "Equipment Not Required To Be Vented" in the most current edition of NFPA 54 as adopted by the Board; and

2. Product Approved side wall horizontally-vented gas-fueled equipment installed in a room or structure separate from the dwelling, building or structure used in whole or in part for residential purposes.

(c) **MANUFACTURER REQUIREMENTS - GAS EQUIPMENT VENTING SYSTEM PROVIDED.** When the manufacturer of Product Approved side wall horizontally-vented gas equipment provides a venting system design or venting system components with the equipment, the instructions provided by the manufacturer for installation of the equipment and the venting system shall include:

1. Detailed instructions for the installation of the venting system design or the venting system components; and
2. A complete parts list for the venting system design or venting system.

(d) **MANUFACTURER REQUIREMENTS - GAS EQUIPMENT VENTING SYSTEM NOT PROVIDED.** When the manufacturer of a Product Approved side wall horizontally-vented gas-fueled equipment does not provide the parts for venting the flue gases, but identifies "special venting systems", the following requirements shall be satisfied by the manufacturer:

1. The referenced "special venting system" instructions shall be included with the appliance or equipment installation instructions; and
2. The "special venting systems" shall be Product Approved by the Board, and the instructions for that system shall include a parts list and detailed installation instructions.

(e) A copy of all installation instructions for all Product Approved side wall horizontally-vented gas-fueled equipment, all venting instructions, all parts lists for venting instructions, and/or all venting design instructions shall remain with the appliance or equipment at the completion of the installation.

GAS PRESSURE SUPERVISION

The Commonwealth of Massachusetts requires listed high and low gas pressure switches (manual-reset) for any model with a maximum firing input greater than 1,000,000 Btu/Hr in accordance with 248 CMR 7.04(11)(d).

A gas pressure regulator (field supplied) is required in the gas train ahead of the boiler, for boilers having input rates greater than 1,000,000 Btu/Hr, in accordance with 248 CMR 7.04 Figure 3B requirements.

START-UP CHECKLIST FOR XVERS BOILERS

This start-up checklist is to be completely filled out by the service technician starting up the XVers Boiler for the first time. All information may be used for warranty purposes and to ensure that the installation is correct. Additionally this form will be used to record all equipment operation functions and required settings.

GAS SUPPLY DATA

Regulator Model & Size _____ / _____ CFH
 Gas Line Size (in room) _____ In. NPT
 Length of Gas Line _____ Eq Ft
 Low Gas Pressure Setting _____ In. WC
 High Gas Pressure Setting _____ In. WC
 Gas Shutoff Valve Type _____
 (Ball, Lubcock)
 Port _____ Std _____ Full

VISUAL INSPECTION OF COMPONENTS

Verify inspection was done and condition of components are in good working order with a "yes"

Wiring Harness _____ Y/N
 Burner (flame) _____ Y/N
 Refractory (Visual) _____ Y/N
 Remote flame sense _____ Y/N
 Covers in place for outdoor _____ Y/N

VENTING

Vent Size: _____ Stack Height: _____
 Vent Material: _____ sketch vent on reverse side ***
 Vent Termination Type: _____
 Combustion Air Openings: Low _____ in²
 Ventilation Air High _____ in²

HO₂T (If equipped)

O₂ sensor cable is connected to the O₂ sensor _____
 DDC power switch is in the ON position _____
 Maintenance switch is in the OFF position _____
 Actuator stops are in the correct position _____

EMISSIONS SETTINGS AND TEST INFORMATION

	(AT FULL FIRE)	(AT MIN. FIRE)
Blower Suction Pressure	_____ In. WC	_____ In. WC
Supply Gas Pressure	_____ In. WC	_____ In. WC
Verify stable pressure static and dynamic condition		
Manifold Gas Pressure	_____ In. WC	_____ In. WC

The following measurements must be obtained with a Combustion Analyzer.

O ₂	_____ %	_____ %	See manual
CO	_____ PPM	_____ PPM	Less than 100 PPM
CO ₂	_____ %	_____ %	See manual

Model Number: _____

*** Note: draw venting with details, such as extractors, barometric dampers, blast dampers or draft inducers

Serial Number: _____
 Site Elevation Above Sea Level _____ Ft.

Job Name _____
 Address _____
 Physical Location of Boiler: Indoors _____; Outdoors _____; Ground Level _____; Roof _____; Below Grade _____
 Mechanical Contractor / Installer _____
 Date and Time of Start-up _____ Print Name and Signature of Start-up Technician _____

CLEARANCES

Front Clearance _____ In.
 Right Side Clearance _____ In.
 Left Side Clearance _____ In.
 Rear Clearance _____ In.
 Overhead Clearance _____ In.

ELECTRICAL

Voltage Supply (VAC) _____ No Load _____
 _____ Load _____
 Voltage -24 VAC _____ VAC
 Voltage Com to Ground _____ VAC
 Hot Surface Igniter _____ Ohms
 Auto High Limit Setting _____ deg F
 Manual Reset High-Limit Setting _____ deg F
 Operating Control Setting _____ deg F

Sketch plumbing on reverse side

WATER SUPPLY

Flow Rate in GPM or Delta T _____ If Avail
 Measure flow rate at full fire
 Pump Purge setting _____ Minutes
 Low Water Cutoff _____ Test
 Plumbing Size _____
 Pump Size: _____ (Boiler) Pump HP: _____
 Impeller trim _____ Pump Model _____
 Louvers _____ Screens _____

RAYMOTE (If equipped)

Wi-Fi signal available in boiler room _____
 Boiler provisioned with valid WiFi credentials _____
 Wi-Fi signal strength (RSSI > -80) _____

Nominal Factory Recommended Settings

See manual or card tag
 See manual or card tag
 See manual or card tag

Information must be emailed to Warranty@Raypak.com in order to ensure warranty consideration
 Attn: Raypak Technical Support Mgr.

WARRANTY

LIMITED WARRANTY XVERS - TYPE H Models: 0856 - 3006

SCOPE

Raypak, Inc. ("Raypak") warrants to the original owner that all parts of this heater which are actually manufactured by Raypak will be free from failure under normal use and service for the specified warranty periods and subject to the conditions set forth in this Warranty. Labor charges and other costs for parts removal or reinstallation, shipping and transportation are not covered by this Warranty but are the owner's responsibility.

EFFECTIVE DATE

The Effective Date of this Limited Warranty is the date of original installation if properly documented; if you are not able to provide documentary proof of the date of original installation, the Effective Date will be the date of manufacture plus 30 days.

HEAT EXCHANGER WARRANTY PERIODS

Space Heating (Closed Loop System ONLY)

Ten (10) years from date of heater installation.

Thermal Shock Warranty

Twenty five (25) years from date of heater installation against "Thermal Shock"; excluded, however, if caused by heater operation at large changes exceeding 150°F (66°C) between the water temperature at intake and heater temperature, or operating at heater temperatures exceeding 205°F (96°C).

ANY OTHER PART MANUFACTURED BY RAYPAK

One (1) year warranty from date of heater installation, or eighteen (18) months from date of factory shipment based on Raypak's records, whichever comes first.

SATISFACTORY PROOF OF INSTALLATION DATE, SUCH AS INSTALLER INVOICE, IS REQUIRED. THIS WARRANTY WILL BE VOID IF THE HEATER RATING PLATE IS ALTERED OR REMOVED.

ADDITIONAL WARRANTY EXCLUSIONS

This warranty does **NOT** cover failures or malfunctions resulting from:

1. Failure to properly install, operate or maintain the heater in accordance with our printed instructions provided;
2. Abuse, alteration, accident, fire, flood and the like;
3. Sediment or lime build-up, freezing, or other conditions causing inadequate water circulation;
4. High velocity flow exceeding heater design rates;
5. Failure of connected system devices, such as pump or controller;
6. Use of non-factory authorized accessories or other components in conjunction with the heater system;
7. Failing to eliminate air from, or replenish water in, the connected water system;
8. Chemical contamination of combustion air or use of chemical additives to water.

PARTS REPLACEMENT

Under this Warranty, Raypak will furnish a replacement for any failed part. The failed part must first be returned to Raypak if requested, with transportation charges prepaid, and all applicable warranty conditions found satisfied. The replacement part will be warranted for only the unexpired portion of the original warranty. Raypak makes no warranty whatsoever on parts not manufactured by it, but Raypak will apply any such warranty as may be provided to it by the parts manufacturer.

HOW TO MAKE A WARRANTY CLAIM

Promptly notify the original installer, supplying the model and serial numbers of the unit, date of installation and description of the problem. The installer must then notify his Raypak distributor for instructions regarding the claim. If either is not available, contact Service Manager, Raypak, Inc., 2151 Eastman Avenue, Oxnard, CA 93030 or call (805) 278-5300. In all cases proper authorization must first be received from Raypak before replacement of any part.

EXCLUSIVE WARRANTY-LIMITATION OF LIABILITY

This is the only warranty given by Raypak. No one is authorized to make any other warranties on Raypak's behalf. **THIS WARRANTY IS IN LIEU OF ALL OTHER WARRANTIES, EXPRESS OR IMPLIED, INCLUDING BUT NOT LIMITED TO IMPLIED WARRANTIES OF MERCHANTABILITY AND FITNESS FOR A PARTICULAR PURPOSE. RAYPAK'S SOLE LIABILITY AND THE SOLE REMEDY AGAINST RAYPAK WITH RESPECT TO DEFECTIVE PARTS SHALL BE AS PROVIDED IN THIS WARRANTY. IT IS AGREED THAT RAYPAK SHALL HAVE NO LIABILITY, WHETHER UNDER THIS WARRANTY, OR IN CONTRACT, TORT, NEGLIGENCE OR OTHERWISE, FOR ANY SPECIAL, CONSEQUENTIAL, OR INCIDENTAL DAMAGE, INCLUDING DAMAGE FROM WATER LEAKAGE.** Some states do not allow limitations on how long an implied warranty lasts, or for the exclusion of incidental or consequential damages. So the above limitation or exclusion may not apply to you.

THIS LIMITED WARRANTY GIVES YOU SPECIFIC LEGAL RIGHTS. YOU MAY ALSO HAVE OTHER RIGHTS WHICH MAY VARY FROM STATE TO STATE. We suggest that you complete the information below and retain this certificate in the event warranty service is needed.

Reasonable proof of the effective date of the warranty (date of installation) must be presented, otherwise, the effective date will be based on the date of manufacture plus thirty (30) days.

DO NOT RETURN THIS DOCUMENT TO RAYPAK. KEEP IT WITH YOUR HEATER OR BUSINESS RECORDS.

Name of Owner	Name of Installer
Owners Address	Installers Address
Date of Heater Installation	Telephone Number of Installer
Model Number of Your Heater	Serial Number of Your Heater

RAYPAK, INC., 2151 Eastman Avenue, Oxnard, CA 93030 • (805) 278-5300 www.raypak.com

QR CODES

View this Installation Manual and corresponding manuals on your smart device.

The QR Codes will take you to the most current version of each manual.

Previous versions of manuals can be found in the document library at Raypak.com.

[P/N: 241677 XVers H 0856-3006](#)



[P/N: 241515 Protonode Manual](#)



[P/N: 241493 VERSA IC Control Installation Manual](#)



[P/N: 241781 HO2T Manual](#)



[P/N: 241630 VERSA IC Quick Start Guide](#)



[P/N: 241788 Raymote Operation Instructions](#)



NOTES: