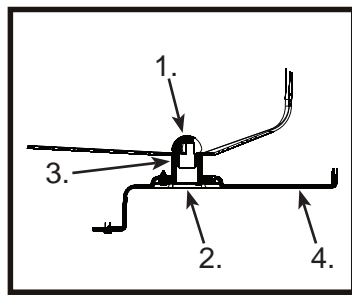
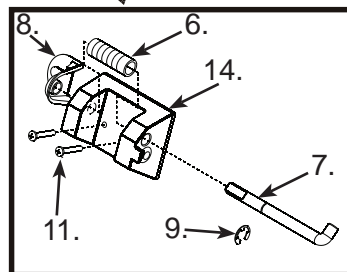
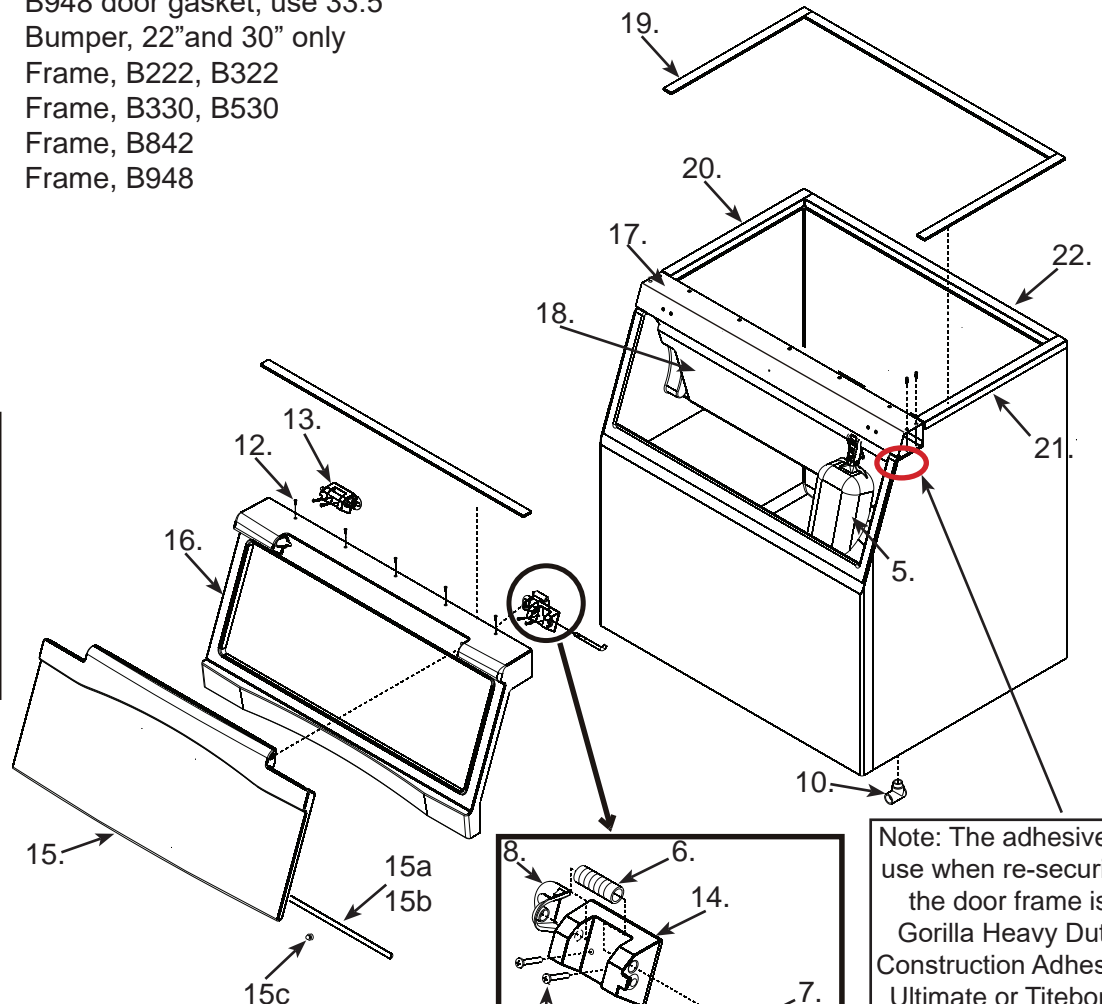


B222, B322, B330, B530, B842, B948

Item Number	Part Number	Description
1.	02-2809-02	Drain Top
2.	02-3108-01	Drain fitting
3.	02-4193-01	Drain gasket
4.	02-4234-01	Drain panel, SS only
5.	02-0540-01	Scoop
6.	03-3876-01	Spring*
7.	03-3874-01	Hinge pin*
8.	13-0946-01	Hinge gasket
9.	03-1539-12	E clip*
10.	05-0586-01	Elbow for drain
11.	03-1403-71	Screw, hinge to canopy
12.	03-1418-30	Screw, frame to canopy
13.	02-4232-01	Left hinge mount*
14.	02-4233-01	Right hinge mount*
15.	A40611-021	Door, B222, B322
	A40612-021	Door, B330, B530
	A40613-021	Door, B842
15a	13-0595-00	B842 door gasket, use 27.5"
	A40614-021	Door, B948
15b	13-0595-00	B948 door gasket, use 33.5"
15c	02-4235-01	Bumper, 22" and 30" only
16.	02-4236-01	Frame, B222, B322
	02-4237-01	Frame, B330, B530
	02-4238-01	Frame, B842
	02-4239-01	Frame, B948
17.	A38920-001	Canopy, B222, B322
	A38921-001	Canopy, B330, B530
	A38922-001	Canopy, B842
	A38923-001	Canopy, B948
18.	A38910-001	Baffle 18.25", B222, B322
	A38911-001	Baffle 26.25", B330, B530
	A38912-001	Baffle 38.25", B842
	A38913-001	Baffle 44.25", B948
19.	13-0943-02	Gasket, 22" use 86" Gasket, 30" use 102" Gasket, 42" use 126" Gasket, 48" use 136"
20.	A40299-001	Left cap - SS bin
	A39976-001	Left cap - plastic bin
21.	A40299-002	Right cap - SS bin
	A39977-001	Right cap - plastic bin
22.	A40300-001	22" back cap
	A39979-001	30" back cap
	A40302-001	42" back cap
	A40303-001	48" back cap



Drain Detail



Note: The adhesive to use when re-securing the door frame is Gorilla Heavy Duty Construction Adhesive Ultimate or Titebond PROvantage Heavy Duty Construction Adhesive

Order kit **KLP7** for a set of 4 legs.

* Replacement of frame recommended when servicing hinge parts.