

INTRODUCTION

To the owner or user: This service manual is intended to provide you and the maintenance or service technician with the information needed to install, start up, clean, maintain and service this ice system.

Table of Contents

FOR THE INSTALLER	page 2
AIRFLOW ON AIR COOLED MODELS	page 3
UTILITY CONNECTION LOCATIONS: Back Views	page 4
FOR THE INSTALLER: Location & Assembly	page 5
FOR THE ELECTRICIAN	page 7
FOR THE PLUMBER	page 8
FINAL CHECK LIST	page 9
INITIAL START UP	page 10
FREEZING CYCLE OPERATION	page 13
HARVEST CYCLE - HOT GAS BYPASS	page 14
COMPONENT DESCRIPTION	page 15
CLEANING	page 18
ADJUSTMENTS	page 20
SYSTEM SPECIFICATIONS: CME1202	page 22
SYSTEM SPECIFICATIONS: CME1402	page 23
SERVICE DIAGNOSIS: Electrical and/or Adjustments	page 24
SERVICE DIAGNOSIS: Refrigeration and/or Mechanical	page 25
SERVICE DIAGNOSIS: Ice Level Control Circuit	page 26
REMOVAL AND REPLACEMENT	page 27
REFRIGERATION SERVICE	page 29
R-404A INFORMATION	page 30
LIQUID CHARGING	page 31

Parts Lists and Wiring Diagrams are located in the center of this manual, printed on yellow paper.

This manual was printed on recycled paper.

Keep this manual for future reference.

Note this symbol when it appears in the manual. It indicates a potential hazard.



CME1202 & CME1402

FOR THE INSTALLER

These machines will fit Scotsman's ice storage bin (48" wide) BH900, and with adapters, Scotsman's ice storage bins BH1000 (with KBT21) or BH1360.

They will stack (with kits) onto the following ice machines:

- CME1202 or CME1402 (use KSCMS48).
- CMS1202 or CMS1402 (use KSCMS48).
- MCM1462 (use KSMCM48 - includes legs)

The stacking kit includes gaskets and trim strip. Heavy duty leg kits are recommended for stacking.

See sales support literature for additional kits that may be required for certain installations.

The normal finish for the machine is enamel. An optional stainless steel panel kit (SPKCMS48) can be field installed. It contains a stainless steel top, left side panel, an overlay right side panel, and front panels.

Scotsman Ice Systems are designed and manufactured with the highest regard for safety and performance. They meet or exceed the standards of U.L., N.S.F., and C.U.L.

Scotsman assumes no liability or responsibility of any kind for products manufactured by Scotsman that have been altered in any way, including the use of any parts and/or other components not specifically approved by Scotsman.

Scotsman reserves the right to make design changes and/or improvements at any time. Specifications and designs are subject to change without notice.

Model Number	Dimensions (w/o bin) W" x D" x H"	Basic Electrical	Minimum Circuit Ampacity*	Maximum Fuse Size+	Refrigerant Charge R-404A	Condenser Type
CME1402AE-3A	48 x 24 ³ / ₈ x 27 ¹ / ₂	208-230/60/3	15	20	64 oz.	Air
CME1402WE-3A	48 x 24 ³ / ₈ x 27 ¹ / ₂	208-230/60/3	13.5	20	62 oz.	Water
CME1402AE-32A	48 x 24 ³ / ₈ x 27 ¹ / ₂	208-230/60/1	22.3	30	64 oz.	Air
CME1402WE-32A	48 x 24 ³ / ₈ x 27 ¹ / ₂	208-230/60/1	20.9	30	62 oz.	Water
CME1402AE-6A	48 x 24 ³ / ₈ x 27 ¹ / ₂	230/50/1			64 oz.	Air
CME1402WE-6A	48 x 24 ³ / ₈ x 27 ¹ / ₂	230/50/1			62 oz.	Water
CME1202AE-3A	48 x 24 ³ / ₈ x 27 ¹ / ₂	208-230/60/3	13.8	20	64 oz.	Air
CME1202WE-3A	48 x 24 ³ / ₈ x 27 ¹ / ₂	208-230/60/3	12.4	20	62 oz.	Water
CME1202AE-32A	48 x 24 ³ / ₈ x 27 ¹ / ₂	208-230/60/1	21.6	30	64 oz.	Air
CME1202WE-32A	48 x 24 ³ / ₈ x 27 ¹ / ₂	208-230/60/1	18.6	30	62 oz.	Water
CME1202AE-6A	48 x 24 ³ / ₈ x 27 ¹ / ₂	230/50/1			64 oz.	Air
CME1202WE-6A	48 x 24 ³ / ₈ x 27 ¹ / ₂	230/50/1			62 oz.	Water

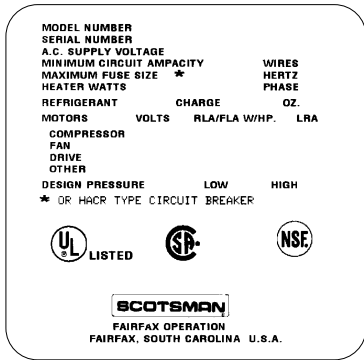
* Minimum Circuit Ampacity is used to determine wire size and type per the National Electric Code. If the numbers listed above are not the same as the nameplate, go by the nameplate.

+ Or HACR circuit breakers.

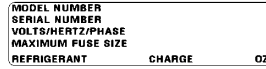
This ice system is designed to be installed indoors, in a controlled environment.

AIRFLOW ON AIR COOLED MODELS

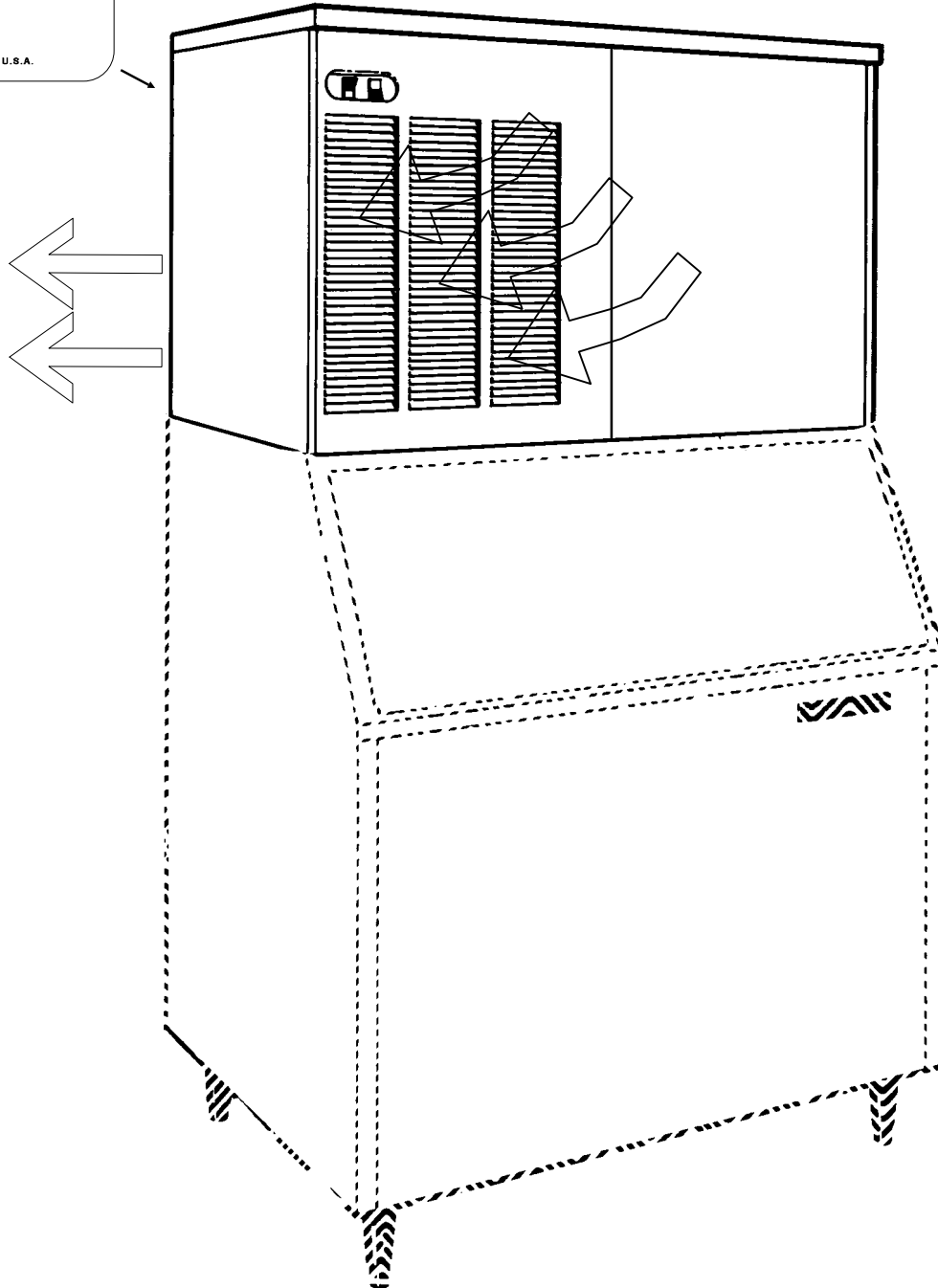
NAMEPLATE IS ON THE BACK PANEL



A Serial Number Plate
is Located Behind The
Front Panel

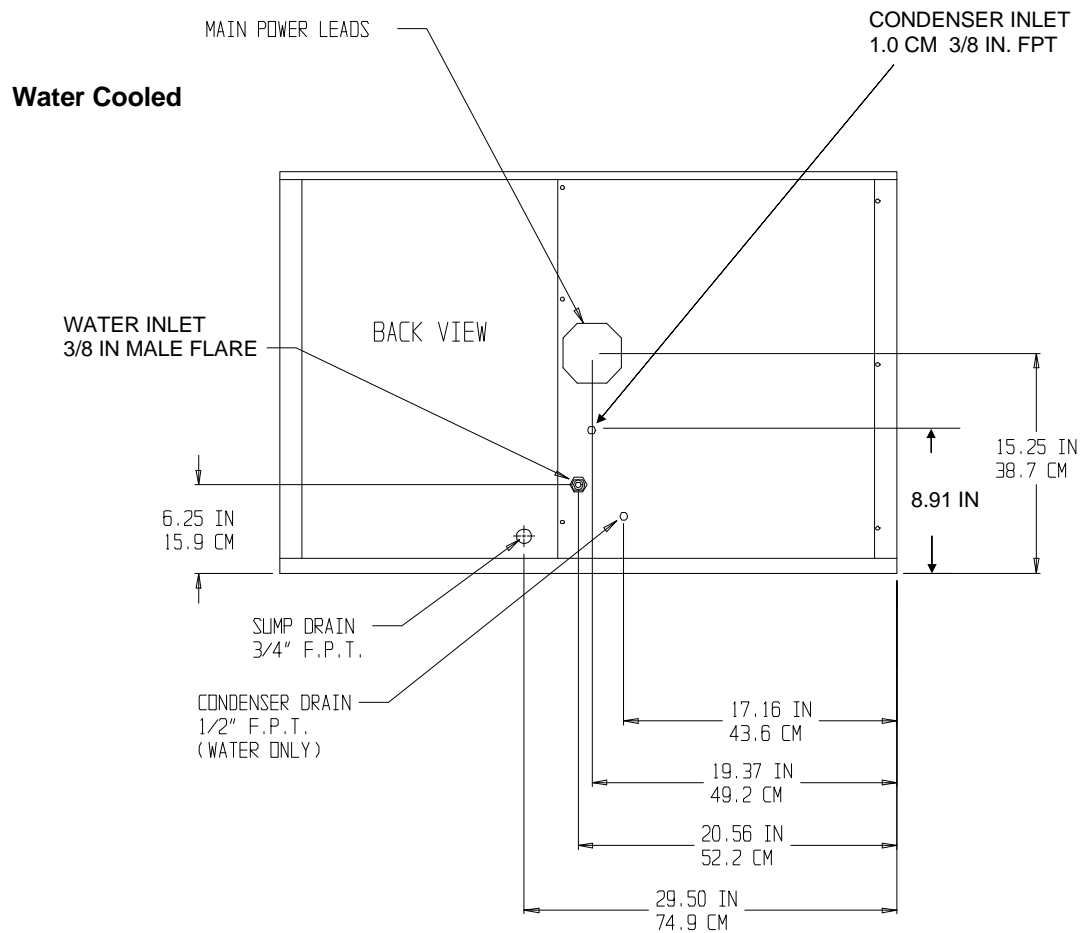
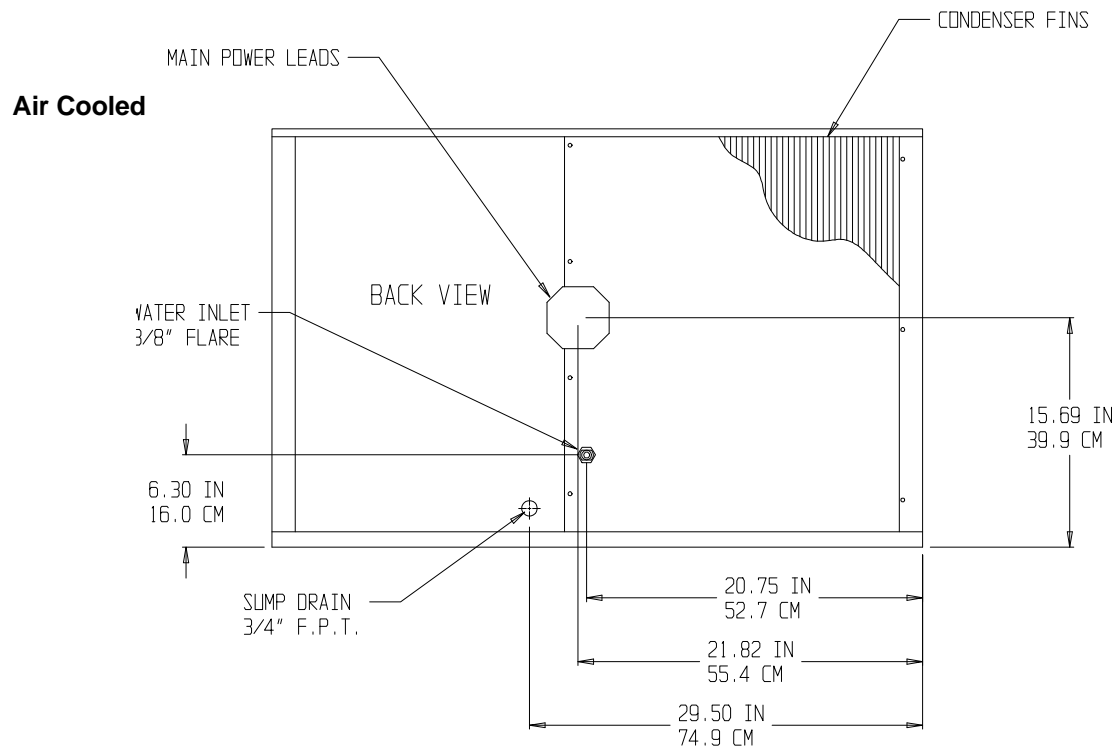


AIR FLOWS IN THE FRONT AND OUT THE BACK



CME1202 & CME1402

UTILITY CONNECTION LOCATIONS: Back Views



FOR THE INSTALLER: Location & Assembly

Location:

After uncrating and inspection, the unit is ready for installation. It is important that the machine be installed **INDOORS** in a location where it has enough space around it to be accessible for service. A minimum of 6" must be allowed at the back for air circulation on air cooled models. Try to avoid hot, dirty and crowded locations. Be sure that the location for the machine is within the environmental limitations.

Storage Bin:

Tip the storage bin on its back, using parts of the carton to protect the exterior finish. Install the casters, use a heavy duty leg kit if stacking two ice machines on one bin.

1. Arrange for proper electric, water and drain.

See instructions for the plumber and for the electrician.

2. Single ice machine on bin: Use legs packed with the bin. After mounting the legs position the ice storage bin in the selected location:

Two ice machines on a bin require a stacking kit such as KSCMS48. Use heavy duty leg kit KLP6 when stacking onto the BH900.

Note: Allow enough space to the left and back to service the machine. Do NOT push the bin into position, instead, lift it there. Pushing a bin may damage the legs and leg mounts.

Level the bin in both the front to rear and side to side directions by adjusting the leg levelers. Stacked units use non-adjustable legs, and must be leveled with shims. Select a well ventilated location for air cooled models.

Note: Air cooled models blow air from front to back.

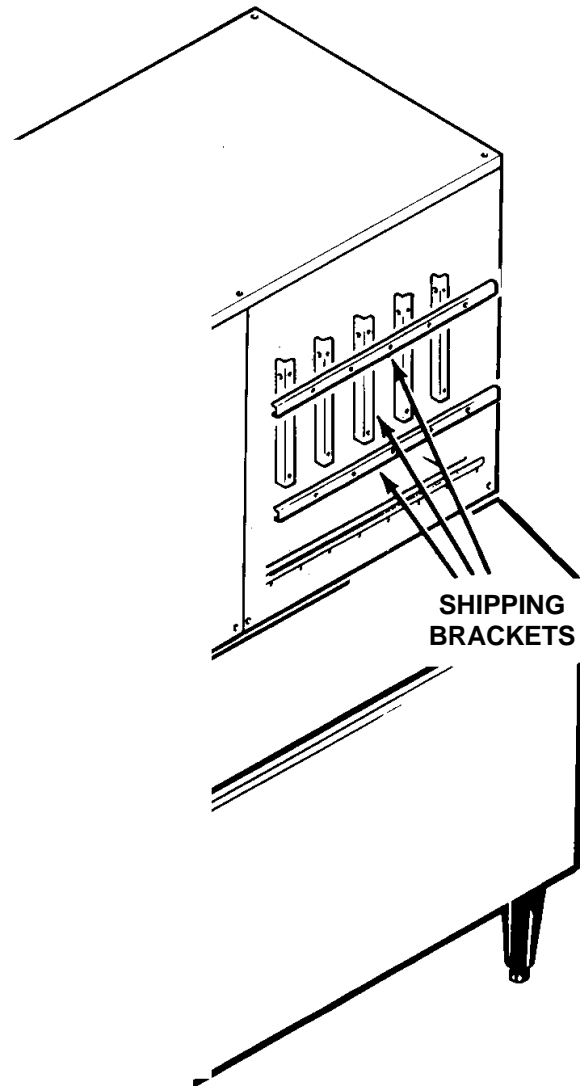
3. Inspect the bin top mounting gasket which should be flat, with no wrinkles, to provide a good water seal when the cuber is installed on top of the bin.

Ice Maker:

Install the modular cuber on top of the bin using care to be sure a good seal is made between the two cabinets. Use of a mechanical lift is recommended. Align the holes in the bottom rear of the cabinet to mate with the two mounting holes on the top rear of the bin. Use bolts and straps found on the back of the ice maker to secure the ice machine to the bin.

OPERATIONAL LIMITATIONS

	MINIMUM	MAXIMUM
Air Temperature	50 ⁰ F.	100 ⁰ F.
Water Temperature	40 ⁰ F.	100 ⁰ F.
Water Pressure	20 psi	80 psi



ICE MACHINE AND BIN ASSEMBLY

When alignment and leveling are completed, tighten the bolts to secure the mounting straps. Remove the front panels, and remove the evaporator shipping brackets and hardware.

CME1202 & CME1402

FOR THE INSTALLER: Location & Assembly

Stacking Instructions

A stacking kit, KSCMS48, is required to interconnect the ice level controls, seal the freezing compartments, and to retain the top edges of the bottom unit's front panels.

Follow the installation instructions of the stacking kit, but in general:

Use heavy duty legs (kit KLP6).

When stacking two units, remove the top panel and the evaporator cover from the lower icemaker.

(The top removed from the lower ice maker will no longer have any function.)

A stainless steel bracket (from the kit) must be attached to the top of the bottom machine **before** the units are stacked.

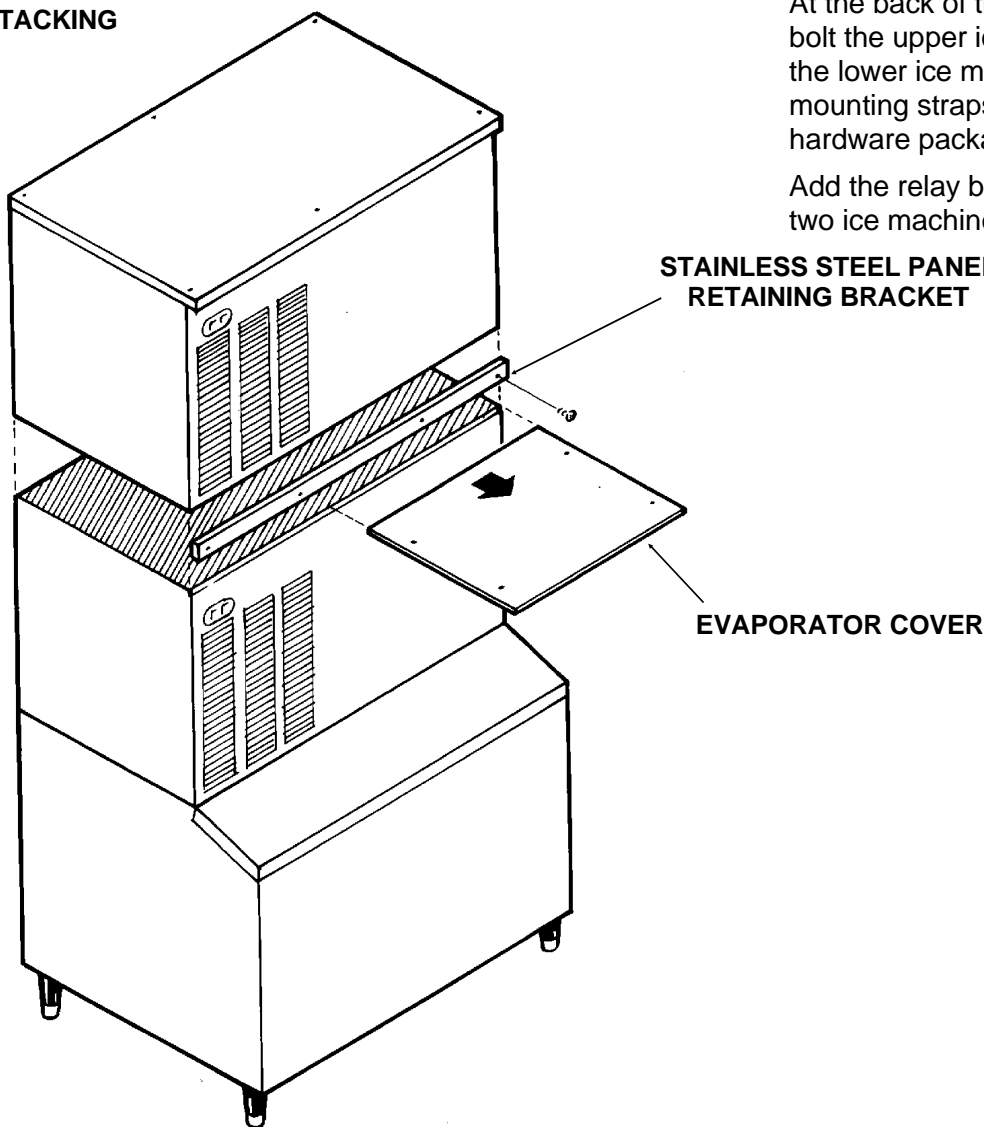
Place strips of gasket material (from the stacking kit) on the top edges of the bottom unit's freezing compartment.

Carefully lift the uncrated top unit onto the bottom one and align the two cabinets. Use of a mechanical lift is recommended for this step.

At the back of the two ice makers, bolt the upper ice maker cabinet to the lower ice maker cabinet using the mounting straps and bolts from the hardware package.

Add the relay box to interconnect the two ice machine's bin control circuits.

STACKING



FOR THE ELECTRICIAN

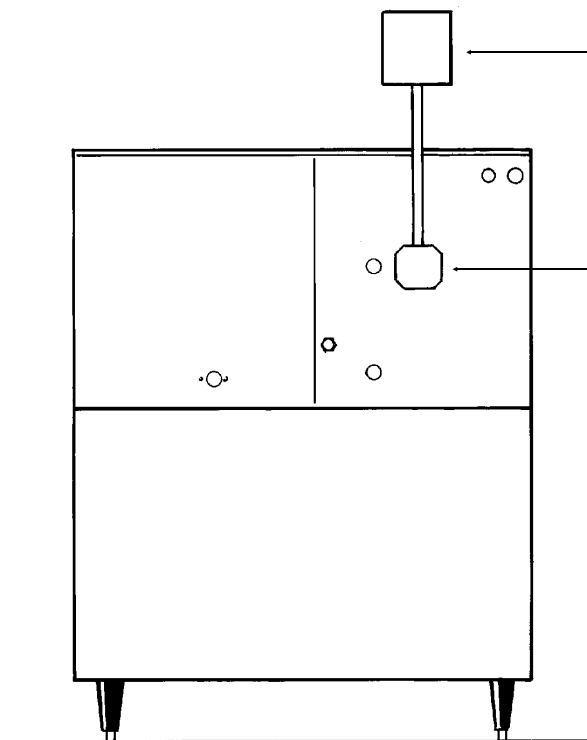
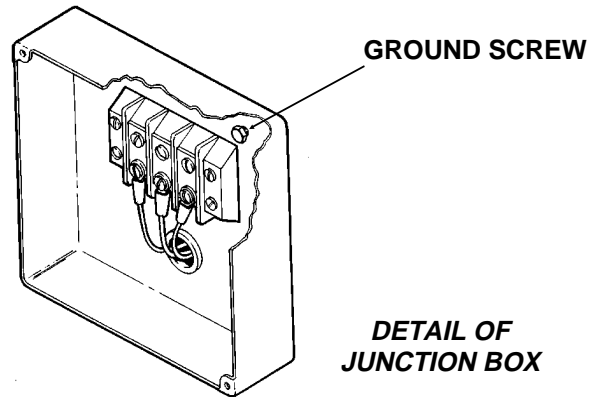
SEE NAMEPLATE for current requirements to determine wire size to be used for electrical hookup. The cuber requires a solid chassis to chassis earth ground wire. See Wiring Diagram.

Be certain the cuber is connected to its own electrical circuit and individually fused. Voltage variation should not exceed ten percent of the nameplate rating, even under starting conditions. Low voltages can cause erratic operation and may be responsible for serious damage to the ice maker.

FOLLOW ALL APPLICABLE CODES

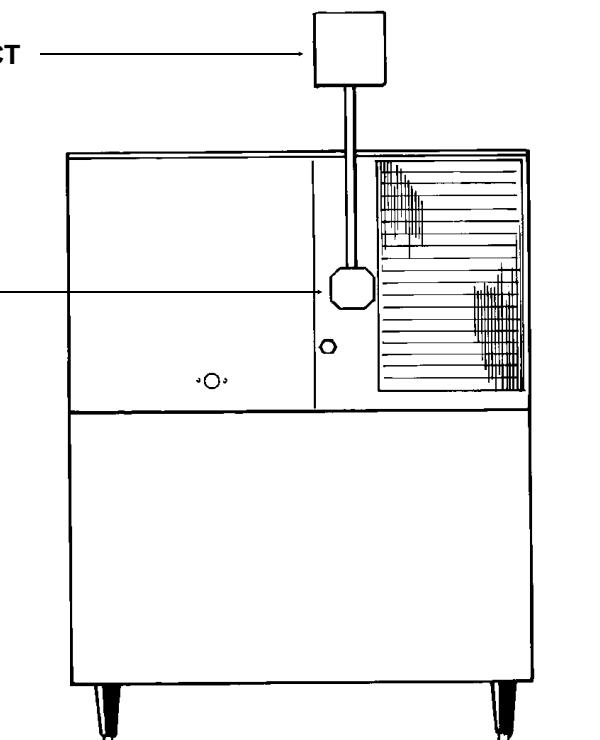
Electrical connections are made at the rear of the ice maker, inside the junction box.

All external wiring should conform to the national, state and local electrical code requirements. Usually an electrical permit and services of a licensed electrician will be required.



HAND
DISCONNECT
SWITCH

JUNCTION
BOX



ELECTRICAL CONNECTIONS, WATER COOLED

ELECTRICAL CONNECTIONS, AIR COOLED

CME1202 & CME1402

FOR THE PLUMBER

FOLLOW ALL LOCAL CODES:

The recommended water supply line is a 3/8-inch O.D. copper tubing with a minimum operating pressure of 20 PSIG and a maximum of 80 PSIG.

Connect to cold water supply line with standard plumbing fittings, with shut off valve installed in an accessible place between the water supply and the cuber. In some cases a plumber will be required.

Water Limitations:

An ice machine is a food manufacturing plant, it takes in a raw material, water, and turns it into a food product, ice. The purity of the water is very important in obtaining pure ice and in maximizing product life. It is generally better to filter the water, although there is no one filter that will cure all water problems. A good filter combined with a polyphosphate feeder gives about the best overall performance.

Cold, potable water must be supplied to the water inlet fitting.

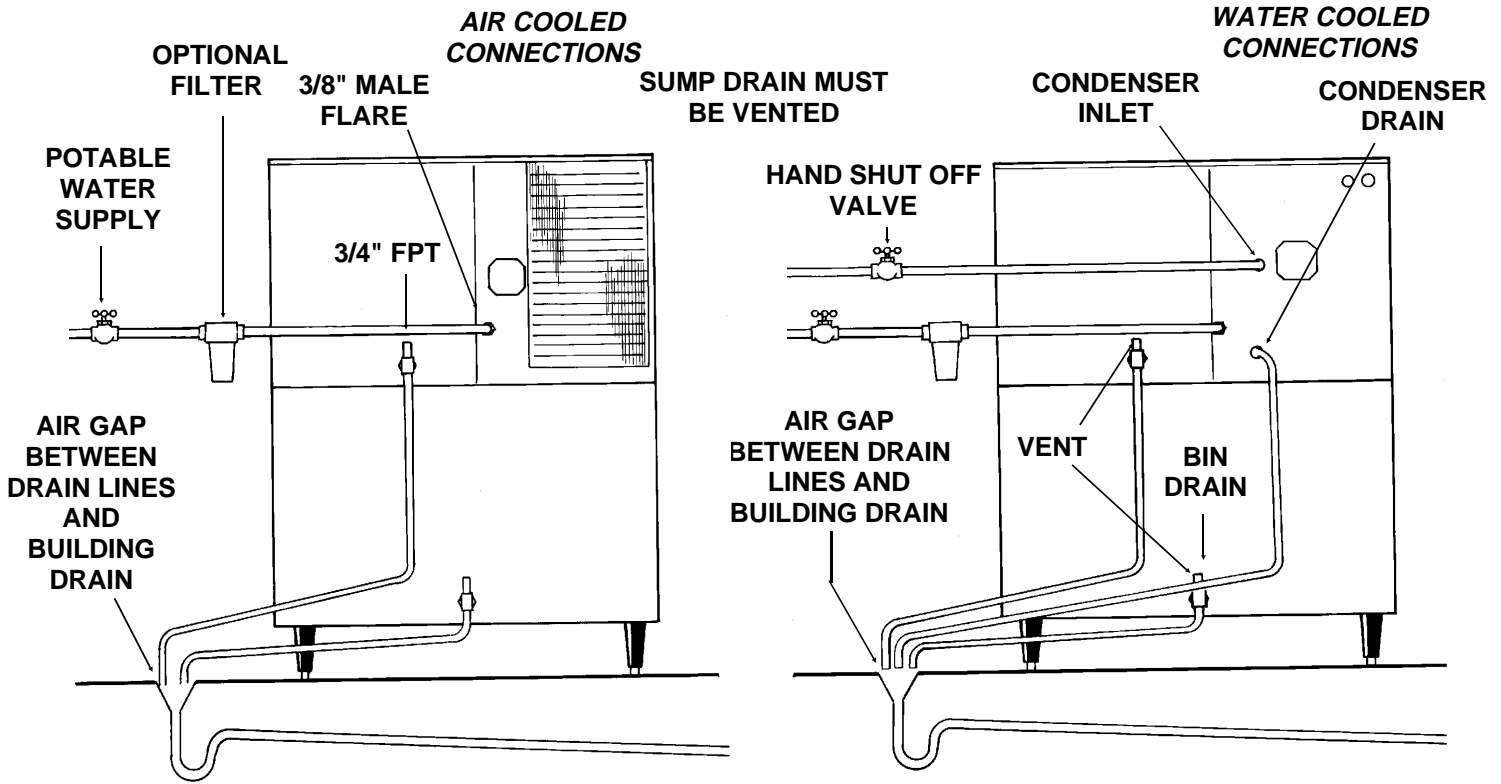
CONNECTIONS:

All drains are gravity type and must have a minimum of 1/4-inch fall per foot on horizontal runs. The drains to be installed to conform with the local plumbing code. Install a vertical open vent on drain line high point to insure good draining. The ideal drain receptacle is a trapped and vented floor drain. Recommended bin drain is 3/4" rigid tubing and should be routed separately. Insulation for high humidity areas is recommended.

Water Cooled models require another inlet connection and another drain for the condenser. The drain must be separate from the bin drain.

Bin Drain: The bin drains from the bottom, and needs no vent unless there is a long horizontal run. Terminate drains above the drain receptacle with the proper air gap per local code.

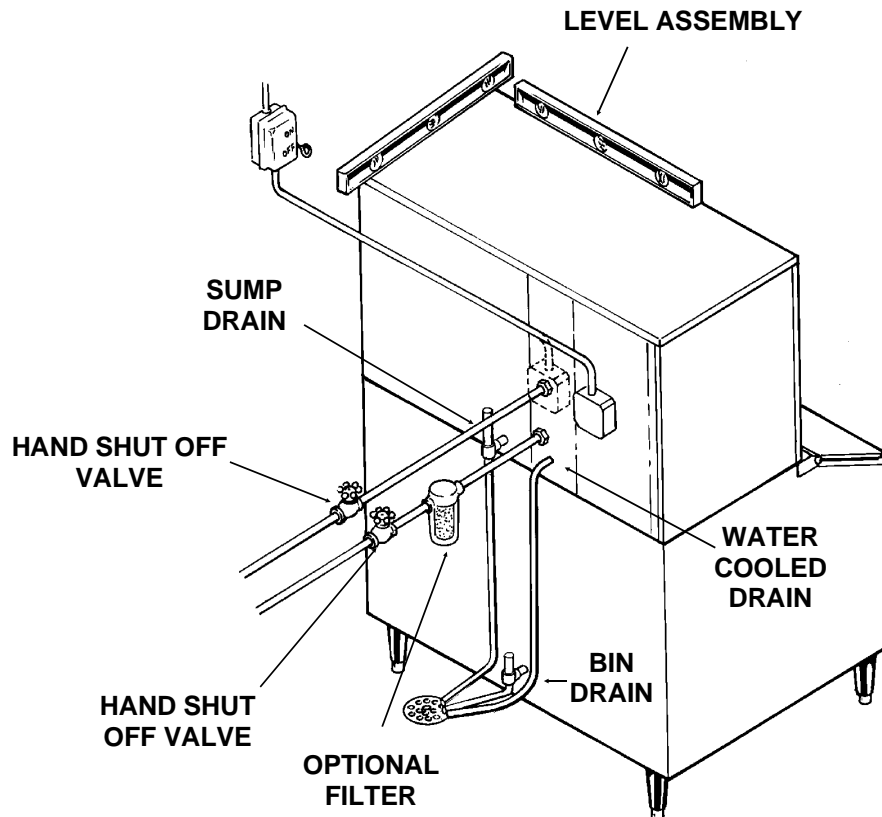
The ice machine sump drain fitting is 3/4" FPT. There must be a vent at this connection for proper sump drainage. Recommended drain tube is 3/4" rigid tubing and should be routed separately. Insulation for high humidity areas is recommended.



WATER SUPPLY AND DRAIN CONNECTION

FINAL CHECK LIST

1. Is the cabinet in a room where ambient temperatures are within the minimum and maximum temperatures specified?
2. Is there at least six inches clearance at the left and back sides of the cabinet for proper air circulation? (Air Cooled models)
3. Has water supply pressure been checked to insure a minimum of 20 PSIG and a maximum of 80 PSIG operating pressure?
4. Is the cabinet level?
5. Check that any shipping material has been removed from inside the cabinet.
6. Check that the reservoir is properly secured to the bottom of the evaporator plates.
7. Have all electrical, water and drain connections been made?
8. Is the water supply line shut off valve installed and electrical wiring properly connected?
9. Check all refrigerant lines and conduit lines, to guard against vibration or rubbing and possible failure.
10. Have the bin and cabinet been wiped clean?
11. Has the Manufacturers Registration form been properly filled out? Check for correct model and serial numbers from Serial nameplate, then mail the completed card to the SCOTSMAN factory.
12. Has the owner/user been given the Service Manual and instructed how to operate and maintain the ice maker?
13. Has the owner been given the name and telephone number of the authorized SCOTSMAN Service Agency serving him?



FINAL INSTALLATION

CME1202 & CME1402

INITIAL START UP

1. Remove the front panels by removing screws at the base and pulling out.

2. Remove two screws and the control box cover.

3. Check that the two switches on the control box, the ICE-OFF-WASH rocker switch and the COMPRESSOR ON-OFF toggle switch are in the OFF position.

4. OPEN the water supply line shut off valve.

5. Switch the electrical power to the machine ON.

6. Inside the control box is the shaft of the timer and the switch assembly. Rotate the shaft of the timer until the actuator arm on the microswitch drops off outer cam into cam slot. See "Front View of Timer".

7. Move the ICE-OFF-WASH rocker switch to the ICE position.

8. Check the water fill cycle: For several minutes the inlet water valve will be open and water will flow into the reservoir. Near end of the fill cycle, water should be overflowing the reservoir and draining thru the reservoir drain. If at the end of the fill cycle the reservoir is not full, repeat step 6.

Check that the sump covers are snapped in place.

Check that the water distributors are properly seated at the top of the evaporators, and that water is flowing over all of the cube cells.

Note: Some water may spray from the evaporators is normal when the machine is new. The spray will stop after a few batches of ice.

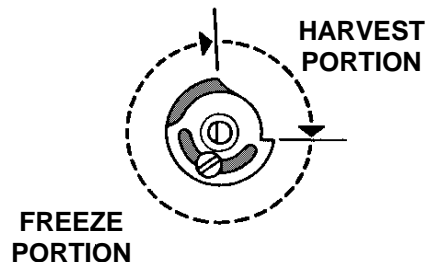
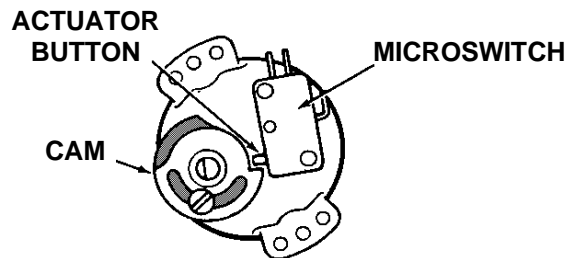
9. When the sump has filled, move the compressor ON-OFF toggle switch, to the ON position.

10. On air cooled models the fan motors will begin to blow warm air out the back of the machine. Water cooled models will begin to flow warm water out of the condenser drain.

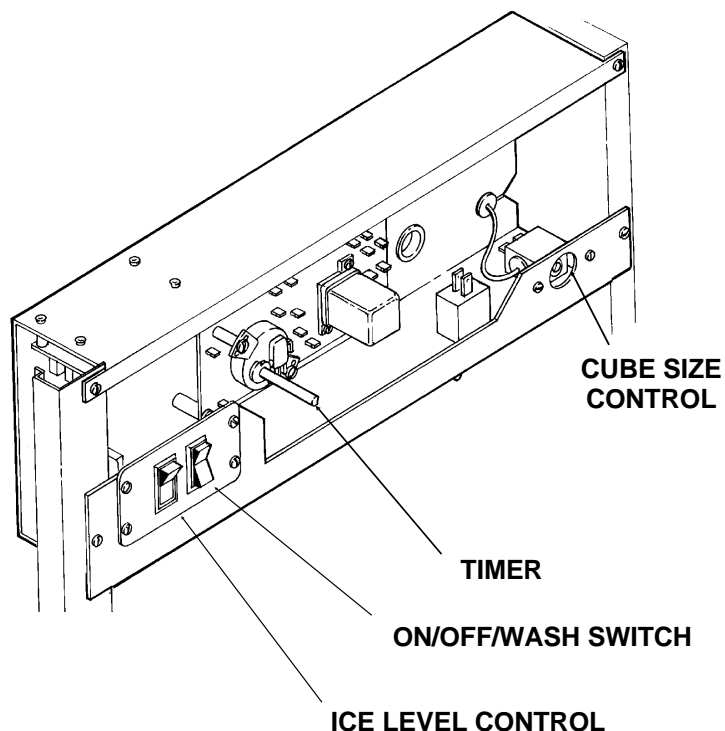
Note: To optimize the balance between ice production and water use, the freeze cycle discharge pressure must be 245 P.S.I.G. Check the discharge pressure and adjust the water regulating valve to obtain 245 P.S.I.G. discharge.

11. Check operation of the freezing cycle: Ice will begin to form from the top of the evaporators to the bottom. After the first cycle freezing time will range between 13 - 18 minutes on CME1202 and 11 - 15 minutes for the CME1402.

FRONT VIEW OF TIMER



CONTROL BOX



INITIAL START UP

12. After an ice harvest check **Cube Size**.

There is just enough water available in the reservoir to make one full sized batch of cubes. The water pump may pick up some air at the end of the freezing cycle, so at the end of freeze some bubbles in the pump discharge hose is normal. If the water pump stops pumping water before the end of freeze, the cube size control may be set too cold, or the water system may be leaking water.

Compare cube size to the "Cube Size Diagram"

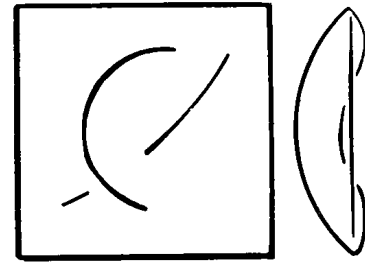
To adjust cube size, locate cube size control on the front of the control box. Rotate the adjustment screw one eighth of a turn:

- Clockwise for LARGER ice cubes
- COUNTER Clockwise for SMALLER ice cubes

Observe size of the ice in the next ice cube harvest and repeat the adjustment until the correct ice cube size is achieved.

CUBE SIZE DIAGRAM

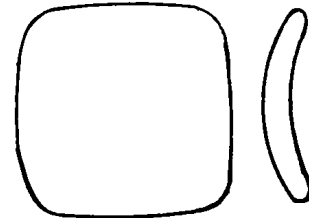
JUST RIGHT



When the cubes are the correct size, they will be connected together vertically, and drop off in strips. The batch weight will be about 13.5 to 14.5 lb.

Note: If the cubes at the bottom rows of some evaporators are smaller than others, the size difference does not affect capacity or performance. However, there should be some ice in all cells. If not, contact the Factory.

TOO SMALL



CME1202 & CME1402

INITIAL START UP

13. Check **harvest time**. There must be enough time in the harvest cycle to defrost all the cubes, but not an excessive amount that will waste capacity. The length of the harvest cycle is determined by the timer cam positions.

If needed, adjust the harvest time so there are about 15 seconds of harvest time left after the last cube has fallen from the evaporators.

Because harvest time varies with the water and air temperatures at the ice machine, colder air and water will result in faster ice making, but require more time for harvest. **Do NOT adjust harvest time too short or the machine will not harvest all the ice.**

The harvest time is set by: loosening the set screw on the timer cam, rotating the shaft until the opening between the cams is either increased or decreased, and re tightening the set screw. More of an opening between the high parts of the two cams = more harvest time.

An adjustment of the cube size control may be needed after the harvest time has been changed. Check cube size again.

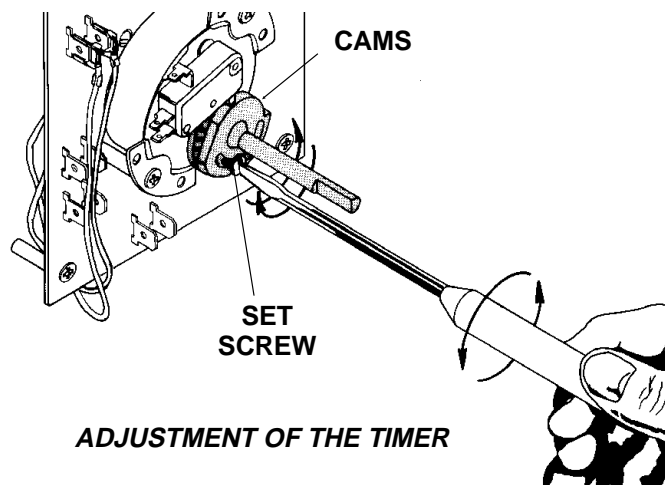
14. Check **Bin Ice Level Control**: With the ice maker in the harvest cycle, place something solid directly below the transducer socket (located in the base to the left of the evaporators). The machine will then switch off at the **END OF THE HARVEST CYCLE**. Within seconds after removal of the obstruction, the ice maker will restart.

The bin level control has two positions: Full and Partial. Full is about 8" from the bottom of the transducer socket. Note: The unit will make one batch of ice when full if switched Off and then On.

15. Wash out the bin with clean, potable water.

16. Replace all covers, panels and screws.

17. Fill out the Warranty Registration and Customer Evaluation form and send it in. Explain to the owner/user the significant specifications, operation, and maintenance requirements of the ice machine. Inform the owner of the name and telephone number of the local authorized SCOTSMAN Distributor, or service agency.

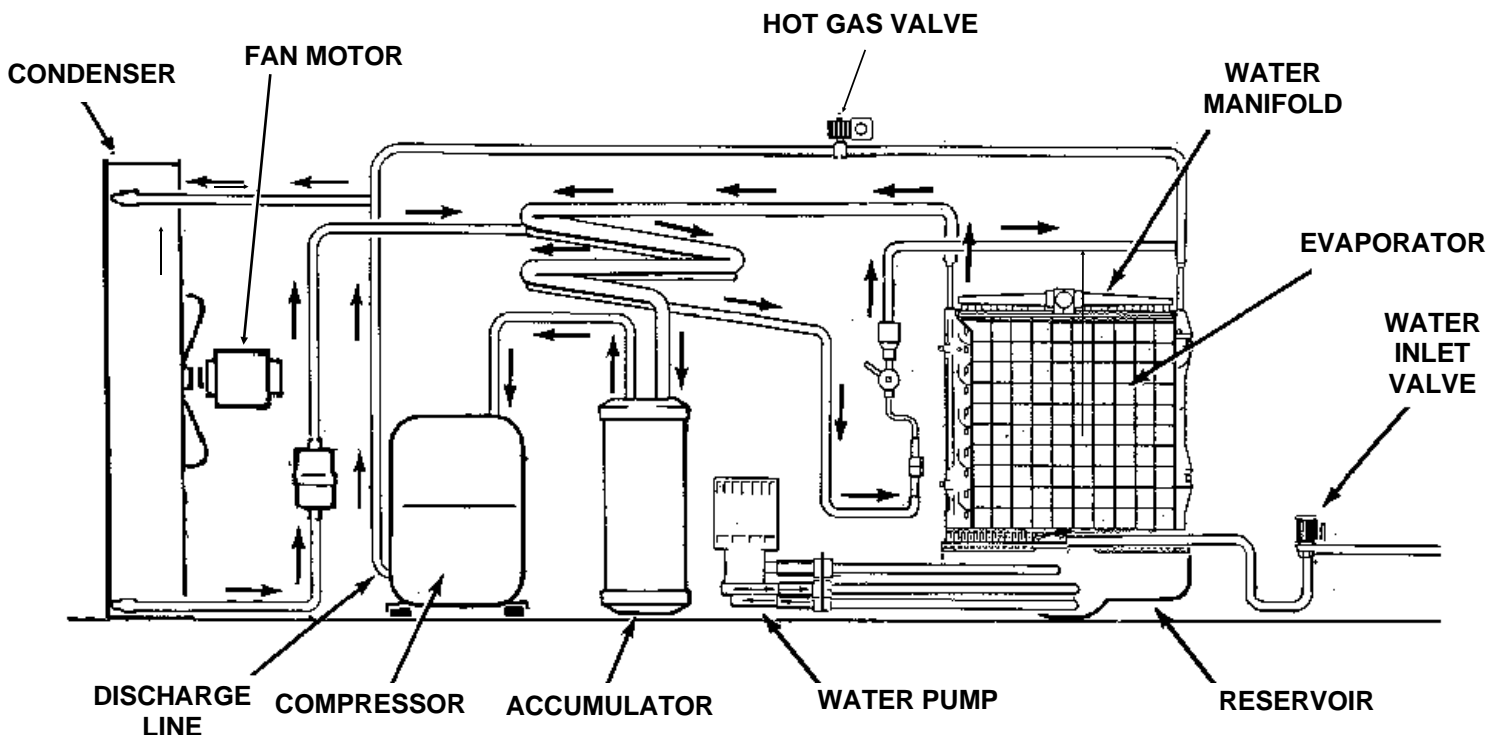
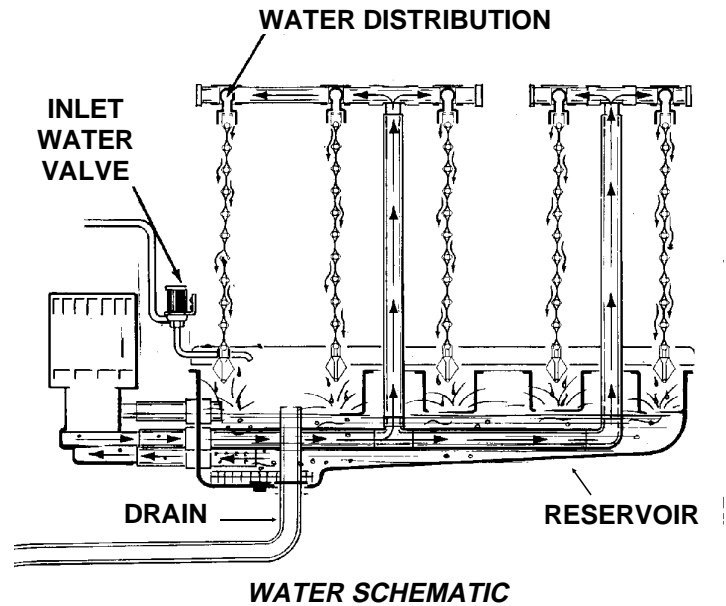


FREEZING CYCLE OPERATION

Water from the sump assembly is pumped to the water distributor system at the top of each evaporator plate. From the water distributor the water cascades by gravity over all cells of the plate and to the sump assembly below.

At the beginning of the freezing cycle, the electrical circuit is completed to the compressor and the water pump. The water pump operates continuously, through both the freezing cycle and the harvest cycle.

During the freezing cycle, the hot gas solenoid valve and the water inlet solenoid valve are CLOSED. When the ice cubes are partially formed, the cube size control (sensing bulb attached to the suction line) will CLOSE, and connect power to the timer motor. The timer then controls the remainder of the freezing cycle. The timer will keep the ice maker operating in the freezing cycle for a selected length of time. This will give the ice cubes time to fully form. After which, the timer will switch the ice maker into the harvest cycle, through the contacts of the timer assembly microswitch.

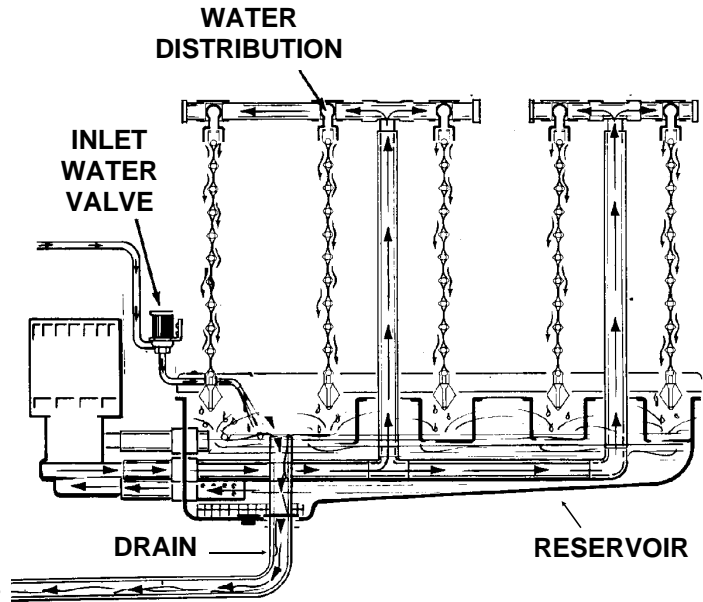


CME1202 & CME1402

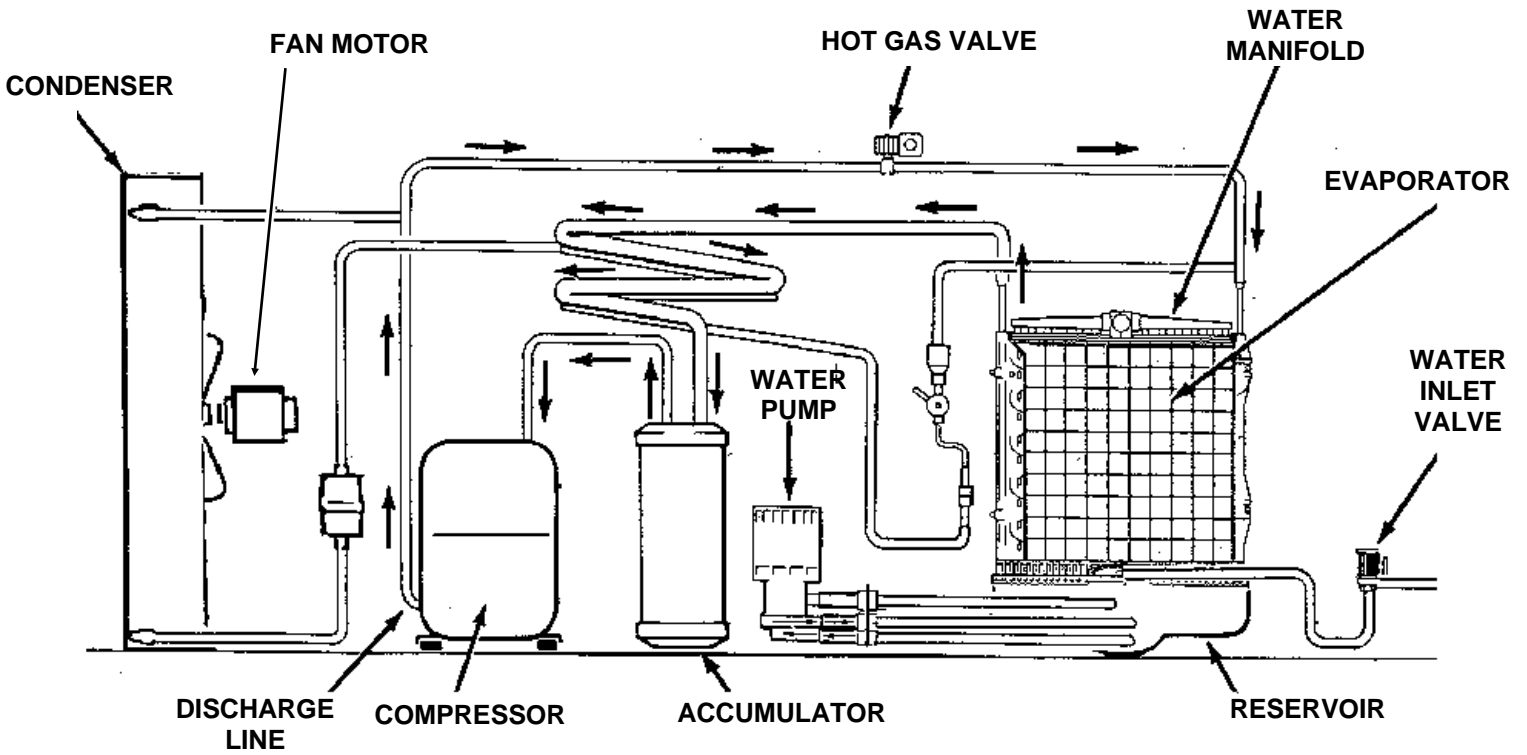
HARVEST CYCLE - HOT GAS BYPASS

When the timer switches the ice maker into the harvest cycle, the finish relay is de-energized, and the hot gas valve and inlet water valve OPEN. Then high pressure, high temperature gas refrigerant being discharged from the compressor is diverted from the condenser through the hot gas solenoid valve into each evaporator plate. During this cycle, the refrigerant bypasses the condenser. Both the compressor and the water pump are operating.

The finished ice cubes are released from the sides of each evaporator plate by the warming effect of the hot gas condensing in each evaporator plate and the water cascading over the ice cubes. The released ice cubes drop into the ice storage bin below. At the end of the harvest cycle, the timer cam will push in the microswitch actuator arm. If there is no ice close to the bin level control's transducer, a whole new cycle will begin. If there is ice within 8" of the base of the machine (when the bin level control is set for full) the ice maker will shut OFF.



WATER SCHEMATIC



REFRIGERATION SCHEMATIC

COMPONENT DESCRIPTION

Cube Size Control

This reverse acting thermostat controls the length of the freezing cycle. It is sensing the temperature of the suction line. When the suction line gets cold enough, the cube size control closes (on temperature fall) and starts the timer. A change in either ambient air or incoming water temperature will affect the efficiency of the refrigeration system, and this will vary the length of time it takes the evaporator to reach the temperature at which the cube size control is preset to close. See CUBE SIZE ADJUSTMENT BEFORE attempting to adjust the control.

Relay

The multi-function, three pole, double throw, plug-in relay is inserted into a receptacle on the printed circuit board in the control box. The relay functions in part to by-pass the bin control to prevent the ice maker from shutting OFF, when the bin control opens during the freezing cycle. The bypass action ensures full-sized ice cubes with each harvest cycle.

Timer - Timer & Switch Assembly

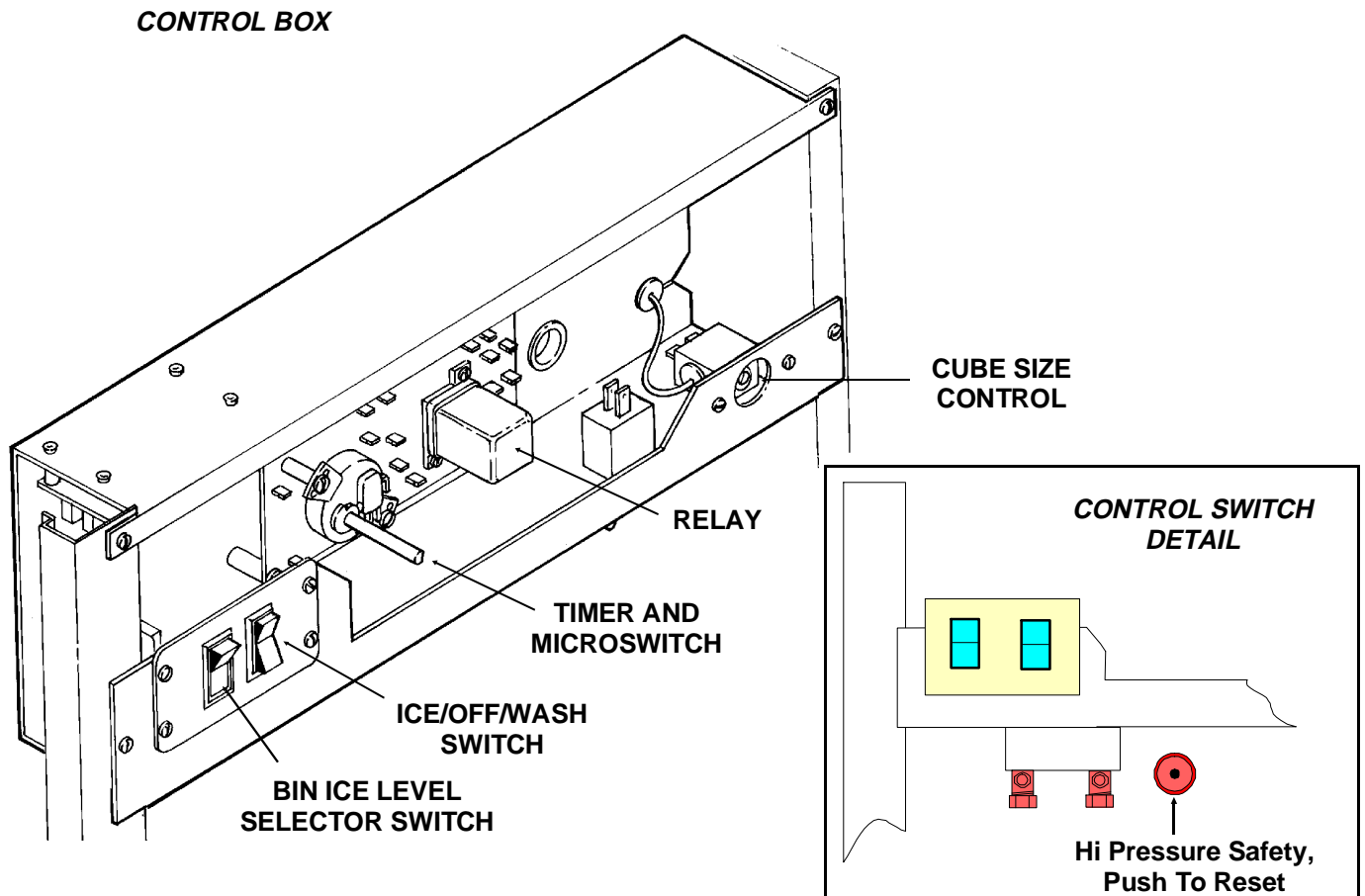
The timer cam is controlled by the cube size control. The outer surface, or large diameter lobe of the timer cam, determines the timer cycle for finish freezing of the ice cubes, while the inner surface, or small diameter lobe, determines the time cycle for the harvest cycle.

When the microswitch button is pushed in there is power connected to the coil of the relay, and the unit is in the freeze cycle. When the microswitch button is released, the power to the relay is stopped, and the unit goes into harvest. The microswitch is actuated by a cam assembly directly connected to the timer motor.

One complete rotation of the cam will take eight minutes. Harvest is preset at three and one half minutes, but is adjustable.

High Pressure Safety Control

This is a manual reset control that shuts down the ice maker, should the discharge pressure ever reach 450 PSIG (air cooled) or 400 PSIG (water cooled). Found below the control box.



CME1202 & CME1402

COMPONENT DESCRIPTION

Bin Level Control

This electronic control uses sound waves to measure the distance between the bottom of the ice machine and the top of the ice in the bin. It is designed to control the machine's ice production to maintain that distance.

The control is adjustable so that the ice machine will maintain a certain height of ice. When set at FULL it will not allow the machine to fill the bin any closer to the ice machine than about 8", and it will not work if the distance to the bottom of the bin is greater than 8 feet.

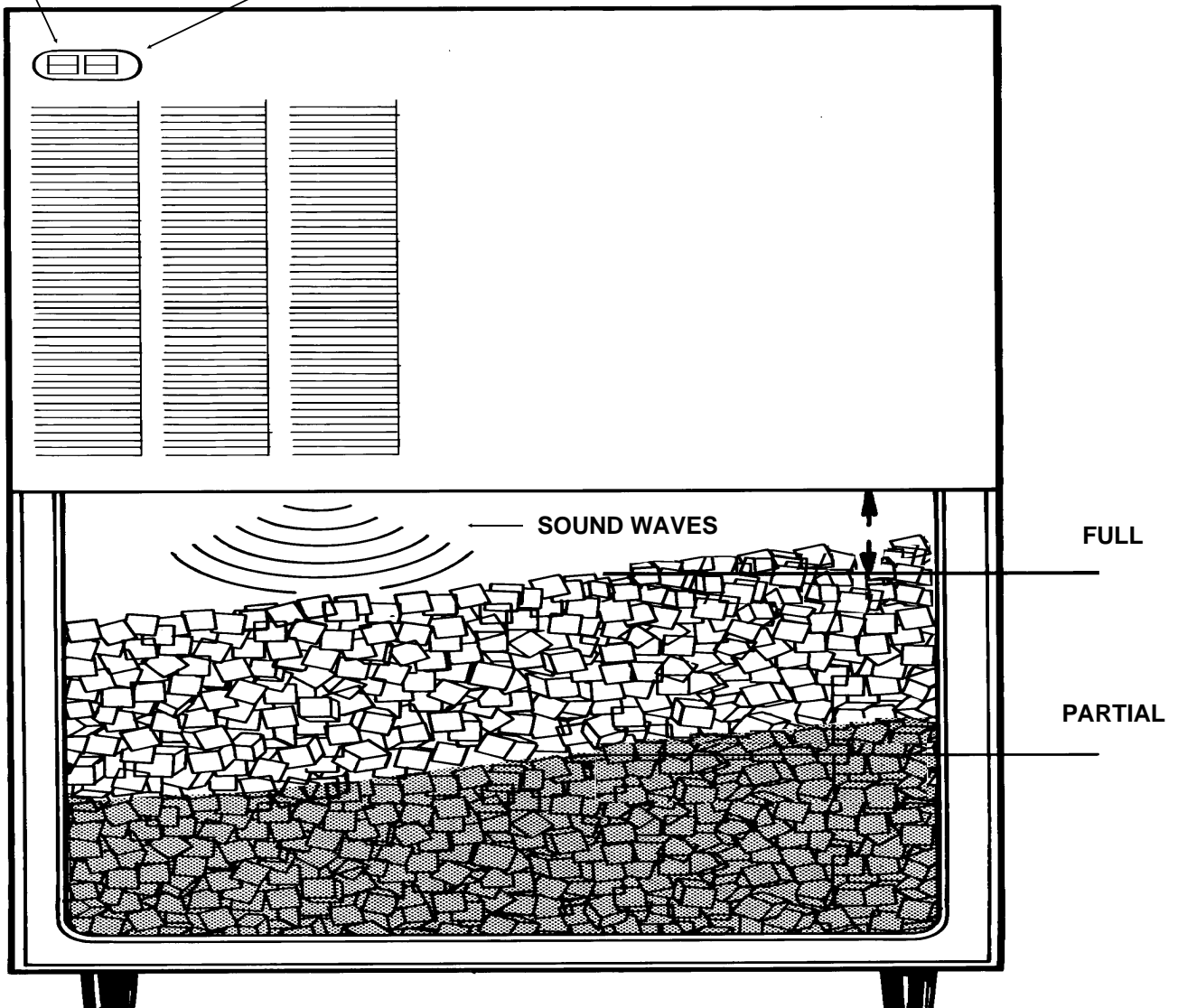
Because it uses sound waves, a slight "ticking" sound can be heard coming from the bottom of the machine.

There are two parts to the control, the circuit board, and the level control switch.

THE USER CAN SELECT THE AMOUNT OF ICE TO BE MAINTAINED IN THE BIN.

BIN ICE LEVEL SELECTOR SWITCH

ICE/OFF/WASH SWITCH



COMPONENT DESCRIPTION

Water Inlet Solenoid Valve

The water inlet solenoid valve fills the sump assembly with water. Extra water overflows out the overflow standpipe of the sump. This action fills and rinses the sump during each harvest cycle. The flow rate is 1 g.p.m.

Water Distribution System

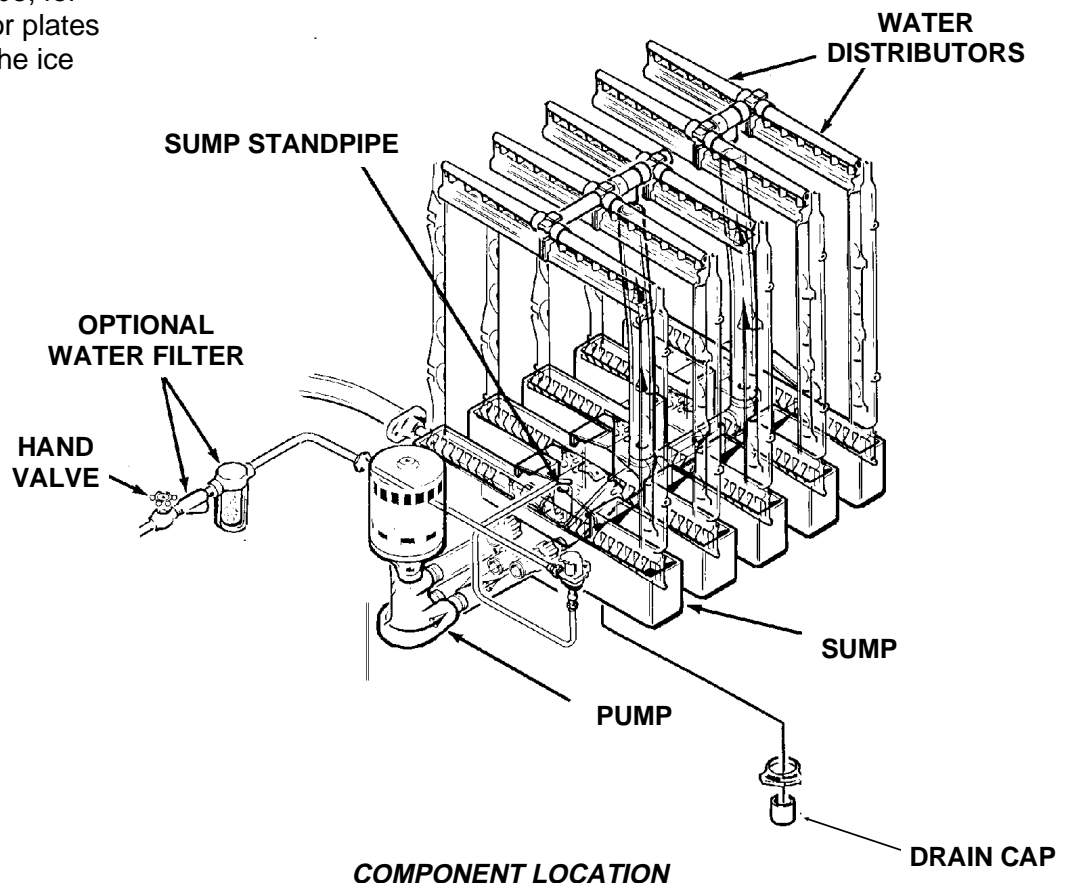
The water distribution system functions to evenly supply water to all cells of the evaporator plates. The water pump pumps water from the sump up the vertical tygon tube to the tee. From there water is channeled through the water manifold to the water distributors, above each evaporator plate, and from six holes within each distributor, water flows to the cells of each side of the evaporator plates. Gravity flow returns the unfrozen excess portion of water to the sump reservoir for recirculation.

Hot Gas Solenoid Valve

The hot gas solenoid valve opens only during the harvest cycle, to divert the hot discharge gas from the compressor, by passing the condenser and capillary tube, for direct flow to the evaporator plates to release ice cubes from the ice cube molds.

Fan Pressure Control - Air-Cooled Models only.

In both freeze and harvest cycles, the fan pressure control functions to maintain a minimum discharge pressure by cycling the fan on and off. The approximate C.I. is 240 PSIG and C.O. is 190 PSIG.



CME1202 & CME1402


CLEANING

A Scotsman Ice System represents a sizable investment of time and money in any company's business. In order to receive the best return for that investment, it **MUST** receive periodic maintenance.

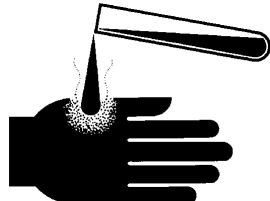
Maintenance and Cleaning should be scheduled at a minimum of twice per year.

CLEANING: ICEMAKER

1. Remove screws and the front panel.
2. Switch the compressor switch to OFF. Switch the WASH/OFF/ICE switch to OFF.

	<p>⚠ WARNING</p>
	<p>Electrical Shock Hazard. Electrical shock can cause personal injury. Cleaning procedures are done with the power ON.</p>

3. Remove the control box cover, and rotate the shaft of the timer and switch assembly **CLOCKWISE** advancing to the freezing cycle. (Beginning of the higher part of the cam against the microswitch).
4. Open the ice storage bin door and empty the bin of ice.
5. Remove the hose clamp, rubber cap and drain all the water from the sump assembly into a container.
Replace the rubber cap and hose clamp.
6. Mix 24 ounces of Scotsman Ice Machine Cleaner with 2 gallons of warm (95⁰F. - 115⁰F.) water.

<p>⚠ WARNING</p>	<p>Scotsman Ice Machine Cleaner contains acids. These compounds may cause burns. If swallowed, DO NOT induce vomiting. Give large amounts of water or milk. Call Physician immediately. In case of external contact, flush with water. KEEP OUT OF THE REACH OF CHILDREN.</p>
	

7. Pour the cleaning solution into the reservoir until full.

8. Move the WASH/OFF/ICE switch to the WASH position.

9. Let the unit operate for 30 minutes.

During the wash cycle, if the machine runs out of solution, mix 2 more gallons of solution per step 6, refill the sump and continue the wash cycle for the remainder of the 30 minutes.

10. Move the WASH/OFF/ICE switch to the OFF position.

11. Remove the reservoir drain cap and drain the cleaning solution from the sump. Replace the drain cap.

12. Rotate the shaft of the timer and switch assembly **CLOCKWISE** to the harvest position (low part of the cam against microswitch). Move the WASH/OFF/ICE switch to the ICE position to start the Harvest cycle.

If, after completing this procedure, one or more evaporator plates does not have a full flow of water for each vertical column of cubes, shut down the operation and remove and clean all water distributor manifolds. Reinstall the water distributor manifolds.

Note: The ice making portion of the water system should be sanitized after cleaning by repeating steps 2-12, except substitute an approved sanitizing solution for the cleaning solution.

13. Move the compressor ON-OFF switch to the ON position to start the ice making process.

CAUTION

DO NOT use ice produced from the cleaning solution. Be sure none remains in the bin.

14. Check the next ice cube harvest to be sure that the ice cubes are clear and the acid taste is gone.


15. Add hot water to the bin to melt the ice.

16. Replace all panels.

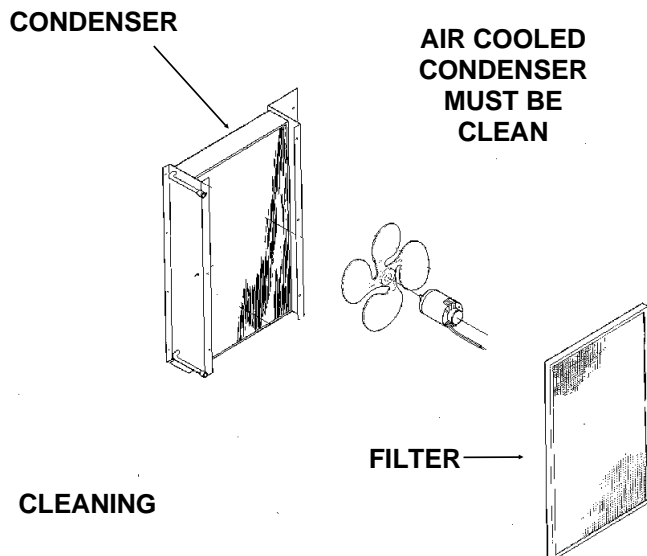
CLEANING

AIR COOLED CONDENSER

1. Disconnect electrical power.

 WARNING	<p>The fan blade can cause personal injury. Disconnect power before beginning to clean condenser.</p>
--	---

2. Remove front panel.
3. Clean or replace the air filter.
4. Check to see that the inside of the condenser is clean; light should be visible through the fins. If not clean the internal parts by vacuum, pressure washer and/or coil cleaner.





Inlet Water Valve

The inlet side of the water valve has a screen in it to protect the internal components from debris that may be carried to the valve by the water. If the screen becomes clogged, it must be cleaned off.

1. Shut off the water supply.
2. Unplug electrical connector from the valve.
3. Dismount valve from cabinet.
4. Remove inlet connection from valve.
5. Brush debris from screen.
6. Reverse steps 1-4 to reassemble.

ICE STORAGE BIN

The interior liner of the bin is in contact with a **food product: ice**. The storage bin must be **cleaned** regularly to maintain a **sanitary** environment.

 WARNING	<p>Scotsman Ice Machine Cleaner contains acids. These compounds may cause burns. If swallowed, DO NOT induce vomiting. Give large amounts of water or milk. Call Physician immediately. In case of external contact, flush with water. KEEP OUT OF THE REACH OF CHILDREN.</p>
	

Scale that may form on the plastic liner can be removed by scrubbing the surface with a mixture of Scotsman Ice Machine Cleaner and hot water. Remove any scale prior to sanitizing.

To Remove Scale:

1. Mix a cleaning solution of 4 ounces of Scotsman Ice Machine Cleaner to 4 pints of hot (95⁰F. to 110⁰F.) water.
2. Using rubber gloves, dip a nylon scouring pad into the cleaning solution, and scrub the scale off of the liner.
3. After all the scale has been removed, rinse all of the surfaces inside the bin with potable water.

To sanitize the bin and ice machine interior.

Use an approved sanitizer and follow the directions and warnings of that sanitizer or use the following instructions for use of household bleach, if it meets local codes:

1. Mix a sanitizing solution of 1 ounce of household bleach to 2 gallons of water.
2. Using clean rubber gloves and a clean cloth, wipe all interior surfaces of the ice machine and ice storage bin with the sanitizing solution. Immerse any small parts in the sanitizing solution and wash the parts, flushing the solution thoroughly in, over and through all parts and surfaces of the parts being cleaned.
3. Allow to air dry.

CME1202 & CME1402

ADJUSTMENTS

Adjustment Of The Cube Size Control

CAUTION

BEFORE adjusting the cube size control, check other possible causes for cube size problems, refer to Service Diagnosis section. DO NOT perform adjustment when a new cube size control is installed until the control bulb has been properly installed in the tube well, insulated and the ice maker has been through a complete freezing and harvest cycle.

Adjustment of the cube size control is available to change the cubes to the correct size, see INITIAL START UP.

To produce LARGER sized ice cubes:

1. Locate the cube size control, on the front of the control box.
2. Rotate the adjusting knob one-eighth of a turn Clockwise.
3. Observe size of ice cubes in next ice cube harvest and, if needed, repeat step 2 above until correct ice cube size is achieved.

To produce SMALLER sized ice cubes:

1. Locate the cube size control, on the front of the control box.
2. Rotate the adjusting knob one-eighth of a turn COUNTER Clockwise.
3. Observe size of ice cubes in next ice cube harvest and, if needed, adjust again until correct ice cube size is achieved.

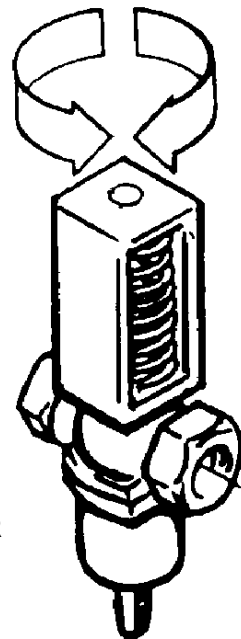
Adjustment of the Water Regulating Valve

Water Cooled models maintain a constant discharge pressure by varying the flow of water thru the water cooled condenser.

The discharge pressure should be set for 220 PSIG.

If change is required, attach a refrigeration gage manifold to the ice machine service ports, and check the discharge pressure in a freeze cycle.


Adjust the stem of this valve until 220 PSIG is achieved.



ADJUSTMENT
OF THE WATER
REGULATING
VALVE

ADJUSTMENTS

Adjustment Of The Timer & Switch Assembly

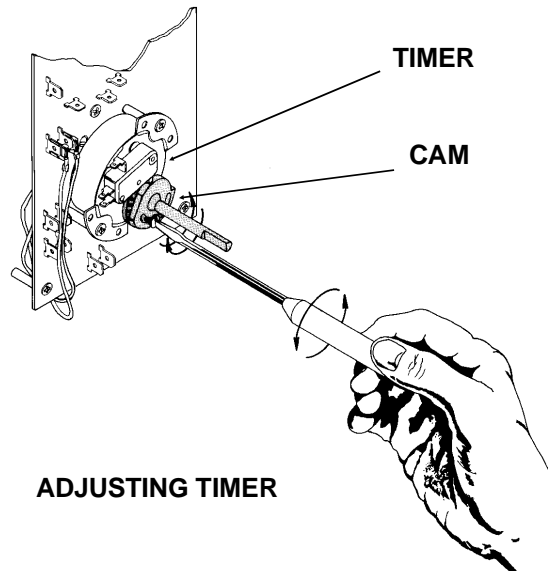
	<p>WARNING</p> <p>Electrical power present in the control box can cause personal injury.</p> <p>Disconnect power before beginning to adjust timer.</p>
---	---

One complete revolution of the cam on the timer takes eight minutes. The normal setting is three and a half minutes, as set at the factory.

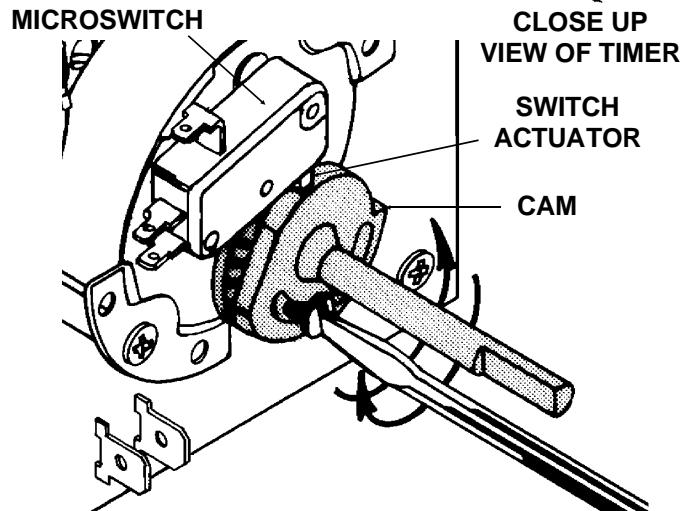
It is important that the length of the harvest cycle allow enough time for all the ice cubes to fall from the evaporator. Too short of a time will cause the evaporator to freeze up and stop ejecting ice into the bin. Too much time wastes ice making capacity, energy and water. Adjustment of the harvest cycle may require a corresponding adjustment of the cube size control. Rotating the shaft of the timer cam clockwise will allow putting the machine into either the freezing cycle or harvest cycle, as required in the cleaning instructions.

To Adjust The Timer & Switch Assembly:

The length of the harvest cycle can be changed by loosening the set screw on the cam, and then rotating the shaft so that the opening between the cams change. More of an opening between the cams = more harvest time. The harvest time may be reduced if not needed. This will yield more ice per day.



ADJUSTING TIMER



CME1202 & CME1402

SYSTEM SPECIFICATIONS: CME1202

The following numbers can be used as a guideline. There will be some variation from unit to unit.

Column head numbers = Ambient air in deg. F./Inlet water in deg. F.

	70/50	90/70	100/90
Typical Cycle Time (Air)	14 - 15 minutes	18 - 19 minutes	19 - 20 minutes*
Typical Cycle Time (Water)	14 - 15 minutes	16 - 17 minutes	17 - 18 minutes
Standard Harvest Time**	3 ½ minutes	3 ½ minutes	3 ½ minutes
Typical Freeze Cycle Suction Pressure, End of Cycle	31 air, 35 water	35-36 PSIG	37 - 40 PSIG
Typical Air Cooled Freeze Cycle Discharge Pressure, End of cycle	210	270	310
Typical Harvest Cycle Suction Pressure, Peak	82 PSIG	87-89 PSIG	97 air, 84 water
Water Cooled Discharge Pressure	245 PSIG	245 PSIG	245 PSIG
Typical Air Cooled Harvest Cycle Discharge Pressure, Min	110 PSIG	115 PSIG	115 PSIG

* At a high ambient, long cycle time may result in lower than average batch weight

** See page 12 for harvest time optimization instructions.

Typical Harvest Ice Weight

- 13.5 - 14.5 lb.

Refrigerant Charge:

- Air Cooled = 64 ounces of R-404A
- Water Cooled = 62 ounces of R-404A

Typical Air Cooled Machine Amp Draw

Single phase

- 5 minutes into freeze: 17 Harvest: 13

Three phase

- 5 minutes into freeze: 9.5 Harvest: 8.5

High Pressure Cut Out

- High pressure safety, (air cooled) Manual reset, cut out at 450 PSIG
- High pressure safety, (water cooled), Manual reset, cut out at 400 PSIG

Fan Pressure Switch

- 240 PSIG cut in, 190 PSIG cut out

Ice Level Control

- Maximum Range = 8 feet
- Partial Fill Setting:= 21" - 22" from the base of the ice machine

Timer

- 1 revolution takes 10 minutes (was 8 minutes prior to June, 1996)

Cube Size Control

- Cut In adjustable between 0°F. and +25°F.

SYSTEM SPECIFICATIONS: CME1402

The following numbers can be used as a guideline. There will be some variation from unit to unit.

Column head numbers = Ambient air in deg. F./Inlet water in deg. F.

	70/50	90/70	100/90
Typical Cycle Time - Air	13 - 14 minutes	16 - 18 minutes	19 - 20 minutes
Typical Cycle Time - Water	13 - 14 minutes	15 - 17 minutes	17 - 18 minutes
Standard Harvest Time*	3 ½ minutes	3 ½ minutes	3 ½ minutes
Typical Freeze Cycle Suction Pressure, End of Cycle	30 air, 34 water	33-34 PSIG	35-36 PSIG
Typical Air Cooled Freeze Cycle Discharge Pressure, End of Cycle	210	270	315
Typical Harvest Cycle Suction Pressure, Peak	77 - 85 PSIG	83 - 86 PSIG	98 air, 85 water
Water Cooled Discharge Pressure	245 PSIG	245 PSIG	245 PSIG
Typical Air Cooled Harvest Cycle Discharge Pressure, Min	135 PSIG	140 PSIG	155 PSIG

* See page 12 for harvest time optimization instructions.

Typical Harvest Ice Weight

- 13.5 - 14.5 lb.

Refrigerant Charge:

- Air Cooled = 64 ounces of R-404A
- Water Cooled = 62 ounces of R-404A

Typical Air Cooled Machine Amp Draw

Single phase

- 5 minutes into freeze: 17 Harvest: 15.5

Three phase

- 5 minutes into freeze: 11 Harvest: 9

High Pressure Cut Out

- High pressure safety, (air cooled) Manual reset, cut out at 450 PSIG
- High pressure safety, (water cooled), Manual reset, cut out at 400 PSIG

Fan Pressure Switch

- 240 PSIG cut in, 190 PSIG cut out

Ice Level Control

- Maximum Range = 8 feet
- Partial Fill Setting = 21" - 22" from the base of the ice machine

Timer

- 1 revolution takes 10 minutes (was 8 up to June 1996)

Cube Size Control

- Cut In adjustable between 0°F. and +25°F.

CME1202 & CME1402

SERVICE DIAGNOSIS: Electrical and/or Adjustments

SYMPTOM	POSSIBLE CAUSE	PROBABLE FIX
Nothing operates	Bin level control holding machine off	Bin is full - use some ice. Check ice level control circuit, see page 26.
	No Power	Reconnect power
	High pressure control open	Reset, check machine
	High temperature cut out open	Hot gas valve leaks thru, replace
	P. C. Board Open	Replace board
	Master switch open	Test/replace
	Timer contacts open	Replace timer
Makes thick ice/freezes up	Harvest cycle too short	Adjust timer
	Water inlet valve restricted	Clean or replace valve
	Low water pressure	Check water filter or supply
	Hot gas valve defective	Replace hot gas valve
	Water reg. valve (water cooled) leaks through	Replace water reg. valve
	Low refrigerant charge	Locate leak, recover, repair, replace drier, evacuate and weigh in nameplate charge.
	Air intake temperature too high (air cooled)	Reduce room temperature
	Sump covers out of position	Re-position sump covers
	Cubes too small	Adjust cube size
	Cube size control stuck open	Replace cube size control
Runs, makes no ice	Pump problem or water leak in reservoir	Check water system and pump
	Water inlet valve either lets in no water or leaks through	Replace inlet water valve
	Low refrigerant charge	Locate leak, recover, repair, replace drier, evacuate and weigh in nameplate charge.
	Timer stuck	Replace timer
	Relay does not energize; unit stuck in harvest	Replace relay
Long freeze cycle	Water inlet valve leaks through	Replace inlet water valve
	Dirty condenser	Clean condenser
	Air intake temp. too high	Reduce room temperature
	Water temperature too high	Advise user
Cubes too small	Cube size set wrong	Adjust cube size
	Cubes size control stuck closed	Replace cube size control
Cubes too large	Water inlet valve leaks through	Replace inlet water valve and adjust cube size control

CME1202 & CME1402

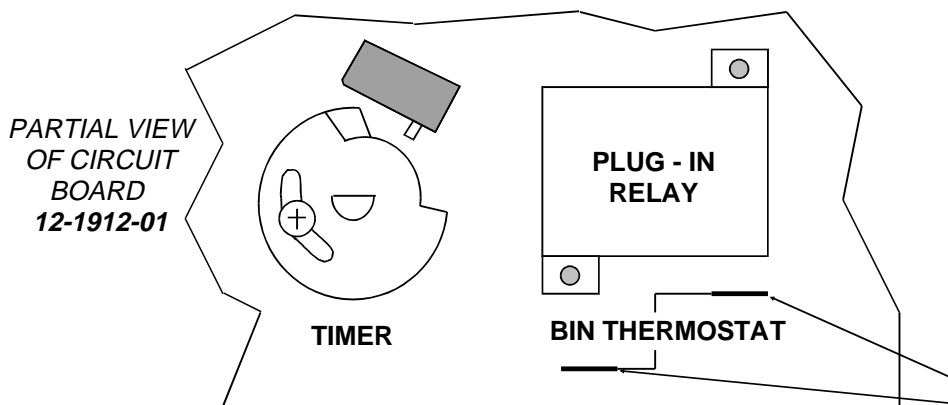
SERVICE DIAGNOSIS: Refrigeration and/or Mechanical

SYMPTOM	POSSIBLE CAUSE	PROBABLE FIX
Poor harvest	Too short harvest time	Check and adjust harvest time
	Restriction of incoming water	Check supply, filter, strainer and valve
	Hot gas valve does not open	Check for power to the coil, check for not opening, replace
	Not enough refrigerant	Locate leak, recover, repair, replace drier, evacuate and weigh in nameplate charge.
	Cube size too small	Adjust with cube size control
Unit cycles off during freeze or harvest	Hi temperature switch opens and closes	Hot gas valve leaks thru, replace it
	Loose connection on PC board	Check and replace P C board
Low capacity	High head pressure, from dirty condenser, faulty fan motor, or fan control	Clean condenser, repair fan motor or control
	Non condensable gas in the system	Recover system, evacuate and weigh in nameplate charge
	Poor air circulation or extreme hot location	Relocate the cabinet; or provide ventilation
	Overcharge of refrigerant	Recover, evacuate and weigh in nameplate charge
	Cube size too big, unit runs out of water before harvest	Adjust cube size control
	Inlet water valve leaks thru	Replace valve
	Hot gas valve leaks thru	At the end of the freeze cycle there should be frost on the evaporator end of the hot gas tubes, if not replace the hot gas valve
Unit runs out of water	Reservoir leaks	Repair leak
	Inlet water valve restricted	Clean or replace valve
	Short harvest cycle	Adjust timer
	Water pressure too low	Check supply
Unit shuts off before bin is full	Something blocking transducer	Remove blockage
	Transducer is wet	Remove transducer and shake screen dry.
	Control set on partial	Set control to full.
Unit does not shut off	Ice level control failure	Check circuit, see next page.
	Timer stuck; does not turn	Replace timer

CME1202 & CME1402

SERVICE DIAGNOSIS: Ice Level Control Circuit

CONDITION	DETERMINE CAUSE	PROBABLE CORRECTION
Ice Machine does not run, it has power to it, the high pressure control is closed, the on/off switch is set to ON.	A. Listen for a ticking sound from transducer.	If no noise, go to C. If there is a noise, check for a light on the board (models built after 4/93). If there is a light on, check relay contacts N.O. and COM. The contacts should be CLOSED. If closed, go to D. If not, replace the board. If light is off, or prior model, go to B.
	B. Remove front panel(s), twist transducer 1/4 turn and pull out. DO NOT UNPLUG with power connected. Examine the transducer, the inside must be clean and dry.	If the inside of the transducer (above screen) was wet, replace it. Set bin level to FULL and aim at an object about 1-3 feet away. Machine should restart, if not go to D.
	C. Check power to bin level control board.	Should be 12 volts from transformer, if not replace transformer. If there is power go to D.
	D. Disconnect electrical power and test ice machine circuit by attaching a jumper wire between bin thermostat posts on circuit board part no. 12-1912-01 (the circuit board with the timer on it). Reconnect power.	If machine does not start go back to machine circuit. If machine starts, disconnect electrical power, remove jumper wire and reconnect electrical power. Then go to E.
	E. Transducer or ice level board assembly defective.	Replace transducer. Set bin level to FULL and aim at an object about 1-3 feet away. Machine should restart. If this does not repair unit, replace the board.
Machine runs, makes ice, switches on and off, but ice level cannot be controlled.	Ice level switch may be defective. On boards with a light, check by moving switch & watching light.	Replace ice level switch



PARTIAL VIEW OF CIRCUIT BOARD 12-1912-01

⚠ WARNING
 Electrical Shock Hazard Can Cause Personal Injury.
 Disconnect Power Before Servicing.
 Bin Thermostat Posts at Line Voltage.

POSTS MENTIONED IN "D" ABOVE

Sonar

- ◆ Sonar is Scotsman's ultrasonic device for measuring ice level and switching the ice machine on and off.
- ◆ It consists of a control board, transducer, level selector switch and transformer.

Sonar Service Diagnosis

- ◆ Step 1. Determine if it's a bin control problem.
 - Machine will not switch on
 - ❖ Reset high pressure cut out
 - ❖ Jump the two posts on the circuit board marked "bin thermostat".
 - ❖ If the machine starts, the sonar system needs to be checked out.
 - If the machine does not start, something else is wrong.



Sonar Service Diagnosis

- ◆ Step 2: If it is a sonar problem, check the board.
 - 12 volts to board.
 - ❖ If not, check the transformer.
 - When ice is called for, the relay contacts are CLOSED.
 - ❖ Check the relay on the board. COM to NO should be closed. If they are open, REPLACE THE BOARD - NOT THE TRANSDUCER

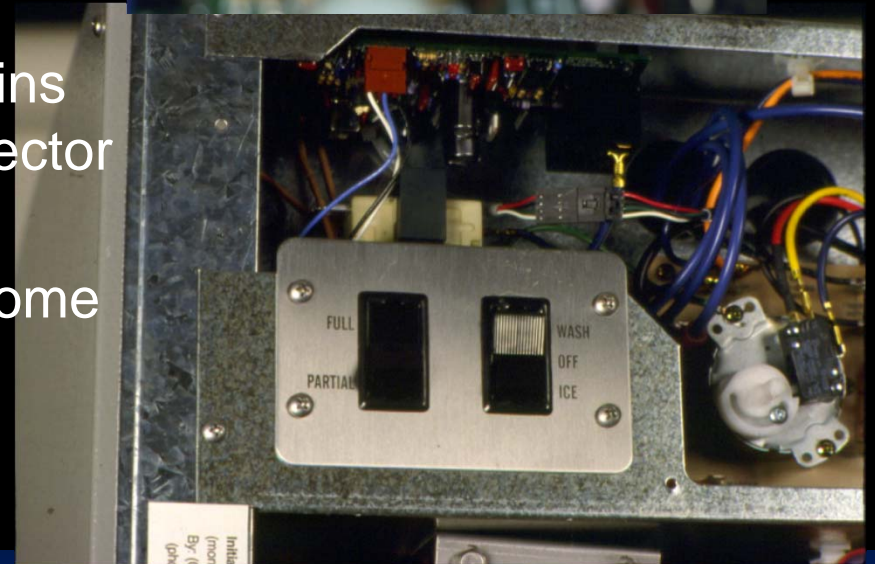
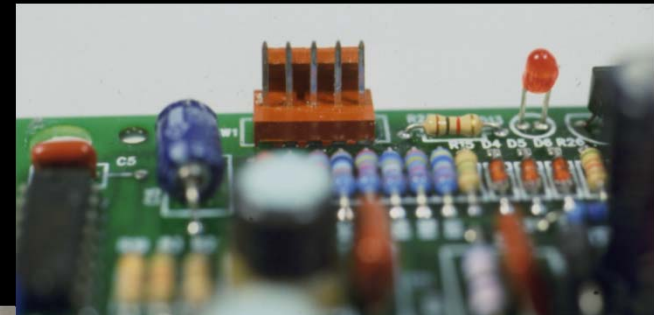


Sonar Service Diagnosis

◆ Step 3. If the red light is NOT ON

– Check the selector switch and harness.

- ❖ Jump out the two outside pins on the board where the selector switch harness plugs on.
- ❖ The indicator light should come on and the machine should start.



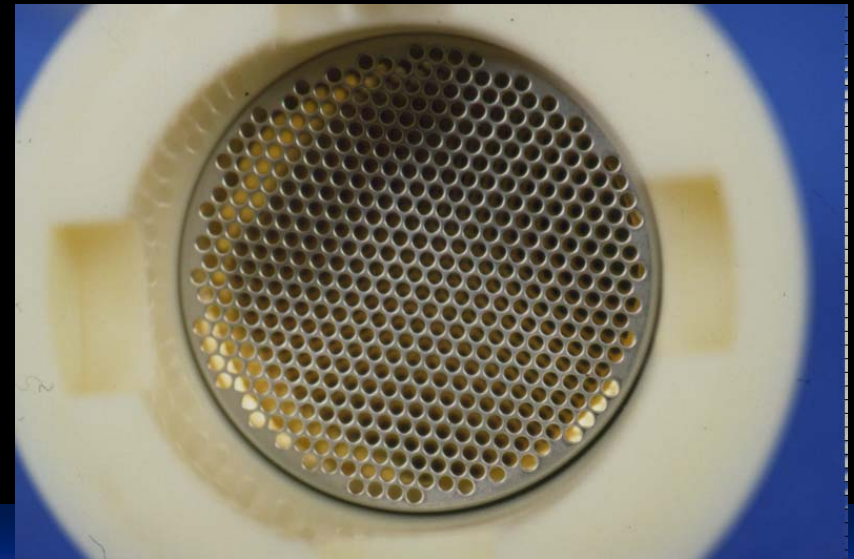
Sonar Service Diagnosis

- ◆ Step 4: If the red light is not on, and jumping the two outside pins does not work, check the transducer.
 - CME1202 or CME1402: Twist and pull the transducer UP to remove it.
 - CME865 and CME1002: Twist and pull the transducer DOWN to remove it.

Sonar Service Diagnosis

◆ Transducer Check

- “Ticking” sound is normal
- Examine the screen and face of the transducer.
 - ❖ If the screen is dirty, clean it.
 - ❖ If the face of the transducer is wet, dry it and try it again.
 - ❖ If the face of the transducer is wrinkled, replace the transducer
- NOT THE BOARD.



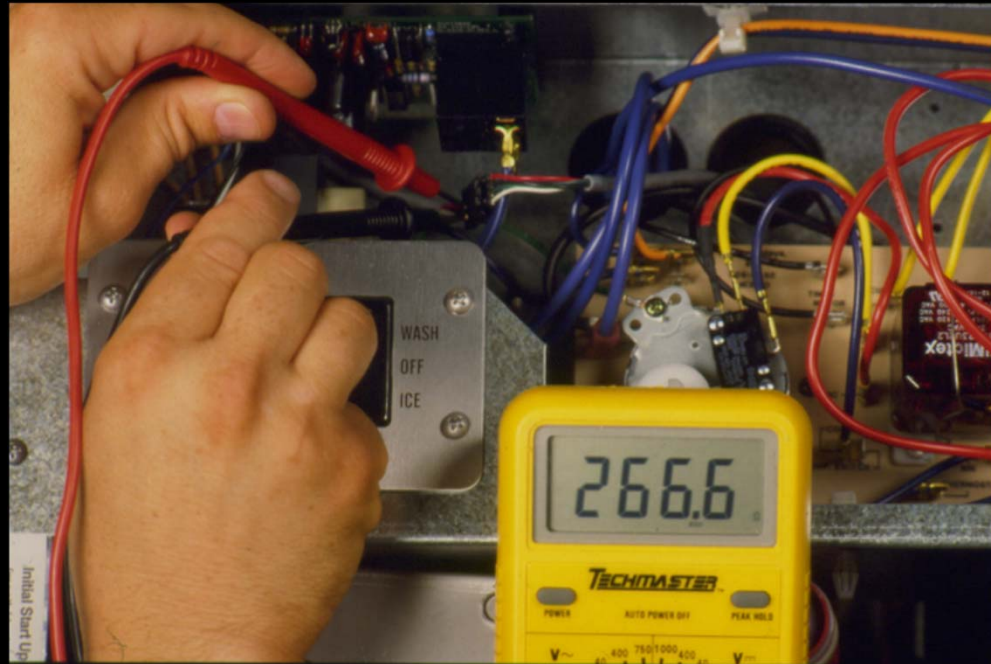
Sonar Service Diagnosis

◆ Transducer Check

- ❖ Switch power on and check the transducer against a hard, flat surface.
- ❖ Try a NEW transducer, if that does not fix the machine, replace the BOARD, but re-use the original transducer.
- It is VERY UNLIKELY that BOTH the transducer and the BOARD have failed at the same time.

Sonar Service Diagnosis

Check Transducer Resistor (green and white wires)
- should be about 260-270 ohms.

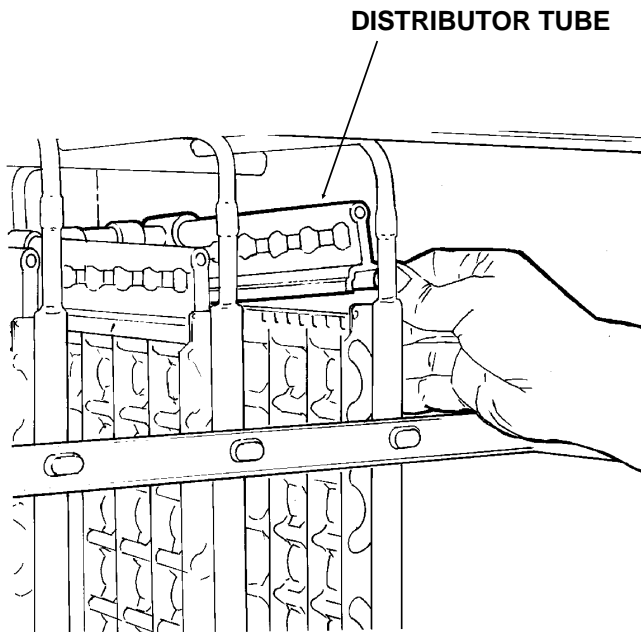


REMOVAL AND REPLACEMENT

Water Distributor Tubes And Manifold Tubes

To remove the water distributor tube and manifold tube:

1. Remove the front panel.
2. Slide the water distributor tube to the front about 1/8-inch along the top of the evaporator plate, until the water distributor tube can be unsnapped from the flexible notch and lifted upward.
3. Unsnap and disconnect water distributor tubes from the water manifold section. To replace the water distributor tubes and manifold tubes, reverse the removal procedure. **BE SURE** the notches in the water manifold tubes properly engage the alignment keys in the tee. **BE SURE** the water distributor tube is securely fastened at the notch at both sides of the evaporator plate. Check identical attachment for the left water distributor tube and notch; also, that the distributor/manifold connections at the top center of each evaporator plate is snug against the top of the plate.



Cube Size Control

To remove the cube size control:

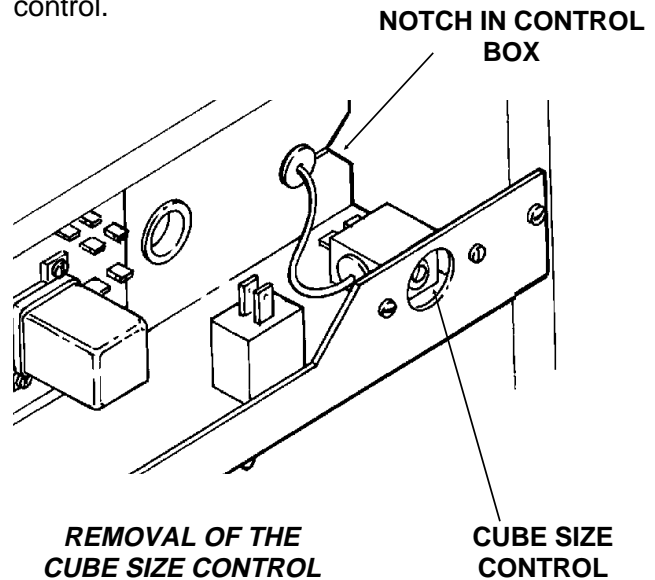
⚠ WARNING



Electrical Shock Hazard.

Electrical shock can cause personal injury. Disconnect power before beginning to service components

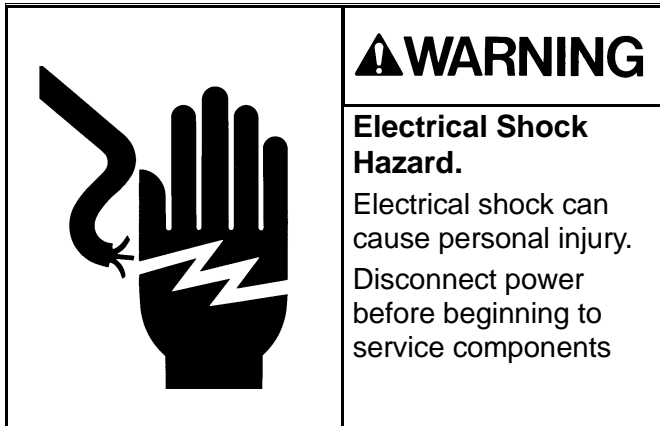
1. Remove front panel.
2. Remove cover from control box.
3. Trace capillary tube, from the cube size control to the refrigerant suction line.
4. Remove the coiled capillary tube bulb from the tube well on the suction line.
5. Remove electrical leads from the cube size control.



6. Remove screws and pull the capillary tube through the notch in the back of the control box. Remove the cube size control. To replace the cube size control, reverse the removal procedure.

CME1202 & CME1402

REMOVAL AND REPLACEMENT



Water Pump

1. Remove front panel.
2. Unplug water pump electrical connection.
3. Drain water reservoir.
4. Use corbin clamp pliers to loosen and slide corbin clamps on hoses away from pump.
5. Remove screws retaining pump to bracket.
6. Pull pump out of ice machine.
7. Reverse to reassemble.
8. Replace front panel.
8. Reconnect electrical power.

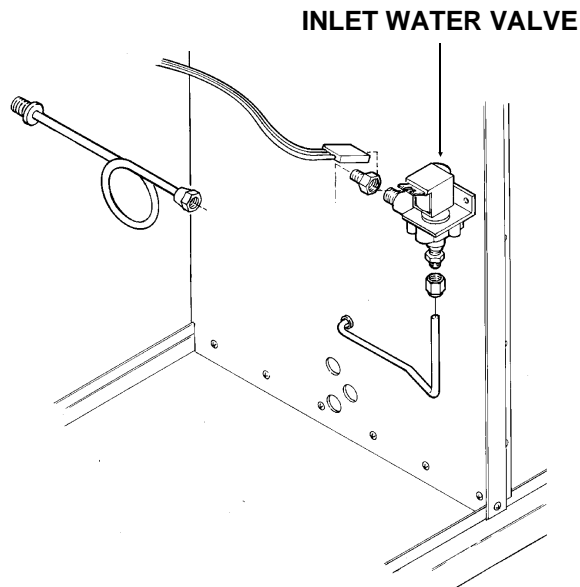
Transducer

1. Disconnect electrical power BEFORE removing transducer.
2. Remove the front panel and locate the transducer socket.
3. Twist inner portion of transducer counter-clockwise and push up gently.
4. Unplug transducer and remove from the machine.
5. Reverse steps 1-4 to reassemble.

Inlet Water Solenoid Valve Assembly

To remove the inlet water solenoid valve assembly:

1. Shut OFF water supply to machine.
2. Loosen and remove outlet water line from the inlet water solenoid valve assembly.



3. Remove screws and pull the water solenoid valve out to gain access.
4. Pull electrical cord from solenoid coil terminals.
5. Remove inlet water fitting from the water solenoid valve. To replace the inlet water valve assembly, reverse the removal procedures.

Bin Ice Level Control Circuit Board

1. Disconnect Electrical Power before removing circuit board.
2. Remove front panel.
3. Remove control box cover.
4. Remove wires from circuit board connections.
5. Unlock circuit board fasteners by twisting 1/2 turn.
6. Pull circuit board off fastener posts.
7. Reverse to reassemble, refer to wiring diagram as needed.

REFRIGERATION SERVICE

General:

- Scotsman recommends that any work on the refrigeration system only be done when it is certain that the system needs repair.
- Refrigerant should not be added except as a way to determine the proper operation of the product. If the system was low on refrigerant, there is a leak, and it must be found and repaired.
- This system has a critical charge, it must be recharged with the correct amount of refrigerant as listed on the nameplate of the ice machine, or performance will suffer.
- Anytime the refrigeration system has been opened, the dryer should be replaced an HFC dryer must be used.
- When brazing the tubing connections to the hot gas valve or thermostatic expansion valve, the component must be protected by heat sink material, and a dry nitrogen purge is also recommended.

Specifically:

Recover, reclaim or recycle refrigerant. The method chosen is up to the service company. There are various mechanical devices that may be used to recycle refrigerant at the field level, however, Scotsman requires that any refrigerant placed into a Scotsman ice machine meet the latest ARI spec 700. Reclaim programs are available thru most refrigerant wholesalers.

Use conservation minded service procedures:

- Refrain from checking refrigeration pressures without reason. There are many ways to determine the proper operation of a Scotsman ice machine without using refrigerant gauges. Visual inspection of the water system, observation of the ice formation, amp draw, voltage, and other techniques will lead to proper diagnosis. Scotsman also recommends that, at the time of initial start up, gauges not be used.
- If gauges must be used, do not always check the high side pressure. If the condenser is clean and seems to be operating correctly, it most likely is. The low side pressure is much more important on an ice machine than is the high side.

- If gauges must be used, use very short hoses. Minimal refrigerant discharged into the hoses equals minimal refrigerant discharged into the air.

If the refrigeration system must be serviced, the quality of service must insure that there will not be a repeat failure, as repeat failures will cause refrigerant to be discharged into the air by the failure or when the failure is corrected:

- If there has been a compressor burn out, check for acid in the oil. If acid is indicated, extra steps must be taken to clean up the system.
- Never use refrigerant, such as R-11, to clean up or flush out a refrigeration system. When system clean-up is required, the use of suction line filter-dryers and liquid line filter-dryers are recommended.
- Always replace the dryer when repairing a leak or replacing a refrigeration component.
- Evacuate the system with a good vacuum pump to 300 microns or less. If the triple evacuation method is used, the vacuum should be broken each time with dry nitrogen, not refrigerant. Evacuation must be from both sides of the system.
- Weigh in or measure in the nameplate charge. Recharge into the high side.

If an ice machine is to be discarded and still contains refrigerant, Scotsman recommends that the refrigerant be recovered, reclaimed, or recycled so that it is not discharged into the air.

CME1202 & CME1402

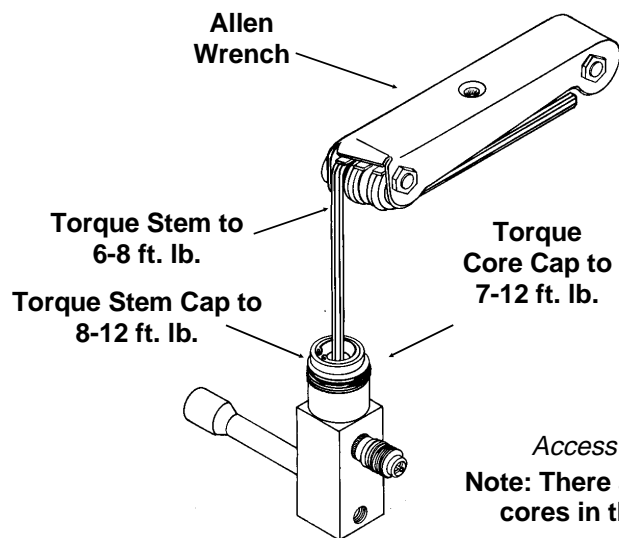
R-404A INFORMATION

This ice machine uses R-404A refrigerant and polyolester oil. Do NOT use mineral oil in this refrigeration system.

- R-404A is a "Near Azeotrope" so liquid charging is required: See the next page.
- When the system is serviced, a special liquid line drier is required. It is included with replacement compressors.
- HP62 is not compatible with mineral oil, so these ice machines use Polyolester oil. Polyolester oil absorbs water very easily. When one of these refrigeration systems is opened for service, it must be re-sealed as soon as possible (15 minutes maximum).
- Special leak detection equipment is required to locate small refrigerant leaks. Usually a leak detector capable of detecting a Halogenated refrigerant or HFC-134a will work. Check with the leak detector manufacturer if in doubt.

Access Valves: To use the access valves:

- Remove the cap from the stem, use a 3/16" allen wrench to check that the valve is CLOSED. Then remove the core cap.
- **Close the valve and replace the caps when the job is finished. The valve must be closed and the caps must be on or the valve will leak.**



Pressure-Temperature Chart for HP62

TEMP. (DEG F)	VAPOR PRES. (PSIG)	TEMP. (DEG F)	VAPOR PRESS. (PSIG)
-20	17	70	146
-18	18	72	150
-16	20	74	155
-14	21	76	161
-12	23	78	166
-10	24	80	171
-8	26	82	177
-6	28	84	182
-4	29	86	188
-2	31	88	194
0	33	90	200
2	35	92	206
4	37	94	212
6	39	96	219
8	41	98	225
10	43	100	232
12	46	102	239
14	48	104	246
16	50	106	253
18	53	108	260
20	55	110	268
22	58	112	275
24	60	114	283
26	63	116	291
28	66	118	299
30	69	120	307
32	72	122	316
34	75	124	324
36	78	126	333
38	81	128	342
40	85	130	351
42	88	132	360
44	91	134	370
46	95	136	379
48	99	138	389
50	102	140	399
52	106	142	409
54	110	144	420
56	114	146	430
58	118	148	441
60	123	150	452
62	127	152	464
64	132	154	475
66	136	156	487
68	141	158	499

LIQUID CHARGING

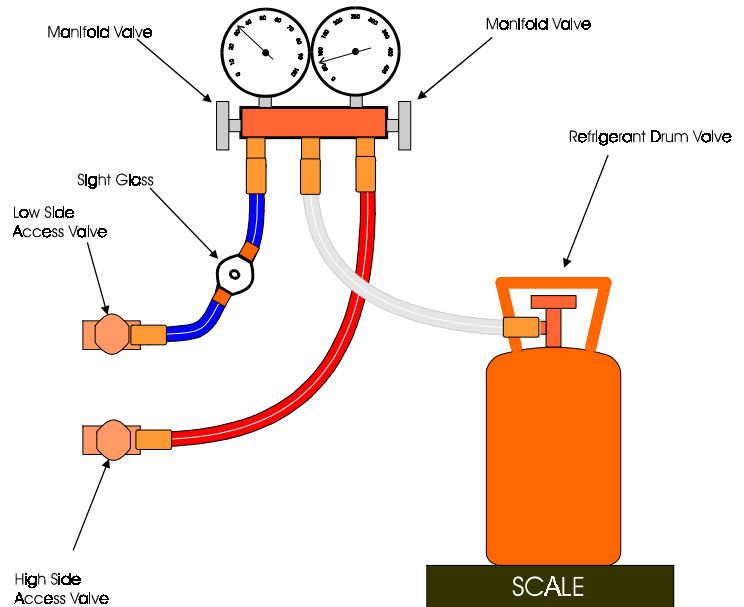
Instructions for R-404A

In preparation for charging, the low side hose should have a sight glass, and/or a restrictor device (such as a "Charge Faster") installed in it for metering liquid into the low side of the system.

1. After a thorough evacuation to at least 200 microns, shut off the manifold valves and switch off the vacuum pump.
2. Place a drum of R-404A onto an electronic scale.
3. Attach the charging hose to the drum.
4. Open the valve on the drum and purge the charging hose.
5. Zero out the scale.
6. Shut the low side access valve at the ice machine.
7. Open the discharge manifold valve full open.
8. Watch the scale, when the correct charge is shown, shut the manifold valve.

Note: If all of the charge will not "go in" the discharge side:

- A. Shut the discharge access valve at the ice machine.
 - B. Switch the machine on.
 - C. Open the low side access valve at the ice machine.
 - D. Open the low side manifold valve and observe the sight glass to be certain that only gas is flowing into the system.
 - E. When the proper charge is indicated on the scale, shut off the manifold valve(s).
9. Shut off the valve on the refrigerant drum.
 10. Re-open the manifold valves until all liquid has flowed out of the hoses.
 11. Shut the low side access valve on the ice machine.
 12. Remove hoses from ice machine and replace all caps.



Hose Connection Schematic for Liquid Charging