

This part list contains the service parts for the Eclipse  
 ECC 800 and 1000 systems.  
 Prodigy Plus D Series production began in late 2014.  
 E series models began early 2018  
 The models that are covered include:  
 EH222 - head  
 ECC0800 - condensing unit  
 ECC1410 - condensing unit

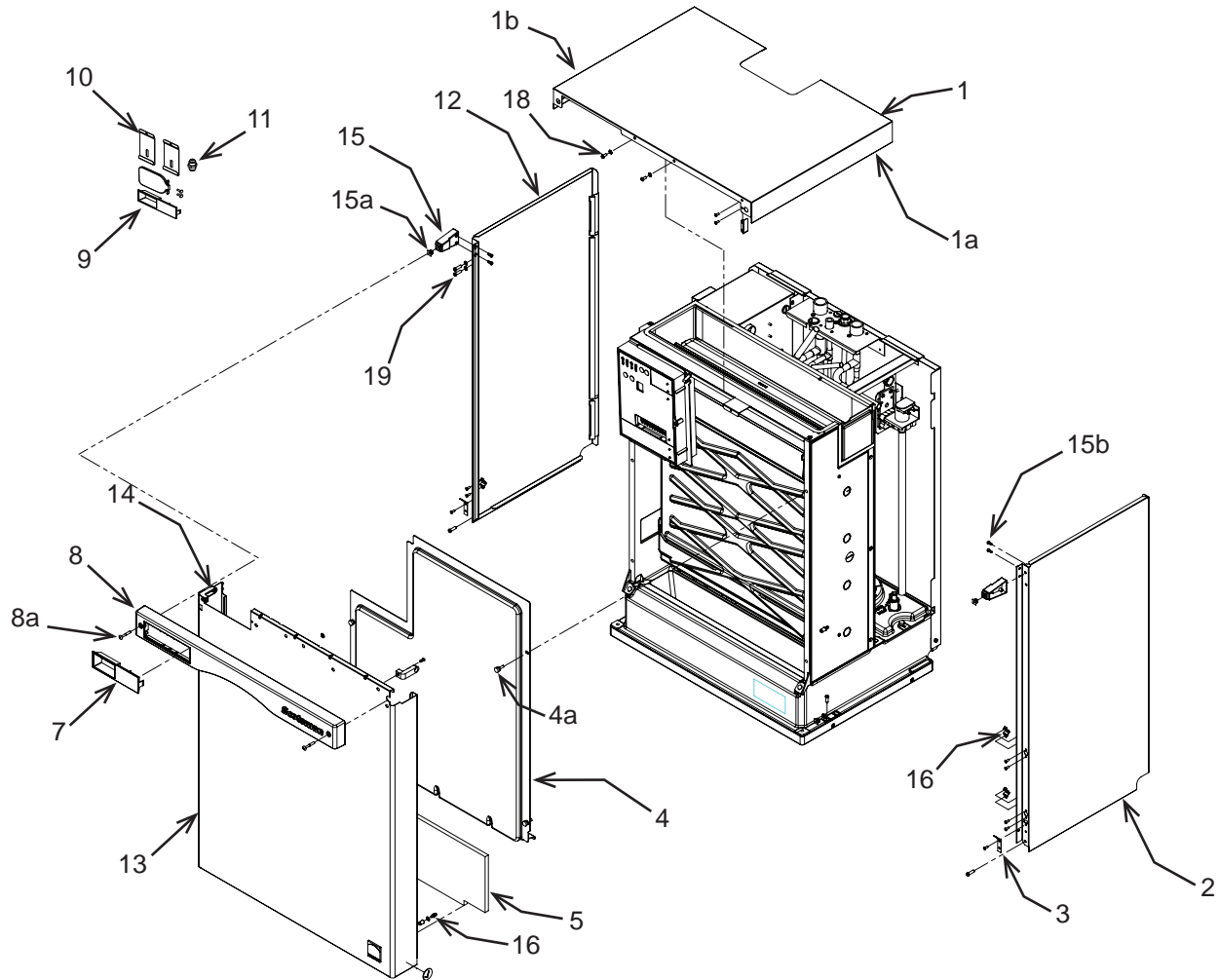
Head voltage is independent of the condensing unit  
 voltage.  
 Voltage codes:  
 -1 = 115/60/1  
 -3 = 208-230/60/3  
 -6 = 230/50/1  
 -32 = 208-230/60/1

## Contents

<b>EH222 Cabinet - C Series</b> . . . . .	Page 2
<b>EH222 Cabinet - D,E Series</b> .. . . .	Page 3
Back Panel Assembly . . . . .	Page 4
EH222 Interior Parts . . . . .	Page 5
EH222 Water System . . . . .	Page 6
EH222 Refrigeration . . . . .	Page 7
EH222 Electrical . . . . .	Page 8
ECC Cabinet and Fan . . . . .	Page 9
ECC Refrigeration Components . . . . .	Page 10
ECC0800 and ECC1410 Compressors . . . . .	Page 11
ECC0800 and ECC1410 Control Box . . . . .	Page 12
EH222 C Schematic Diagram . . . . .	Page 13
EH222 C Wiring Diagram . . . . .	Page 14
EH222 D and E Schematic Diagram . . . . .	Page 15
EH222 D and E Wiring Diagram . . . . .	Page 16
ECC0800 C,D and E and ECC1410 C and D Single Phase Wiring Diagram . . . . .	Page 17
ECC0800 C,D and E and ECC1410 C, D Single Phase Schematic Diagram . . . . .	Page 18
ECC0800 C,D and E and ECC1410 C and D Three Phase Wiring Diagram . . . . .	Page 19
ECC0800 C,D and E and ECC1410 C and D Three Phase Schematic Diagram . . . . .	Page 20
50 Hz Model Wiring and Schematic Diagram . . . . .	Page 21
ECC1410 E Single Phase Wiring Diagram . . . . .	Page 22
ECC1410 E Single Phase Schematic Diagram . . . . .	Page 23
ECC1410 E Three Phase Wiring Diagram . . . . .	Page 24
ECC1410 E Three Phase Schematic Diagram . . . . .	Page 25

# Prodigy Eclipse ECC and EH222 Service Parts

## EH222 Cabinet - C Series

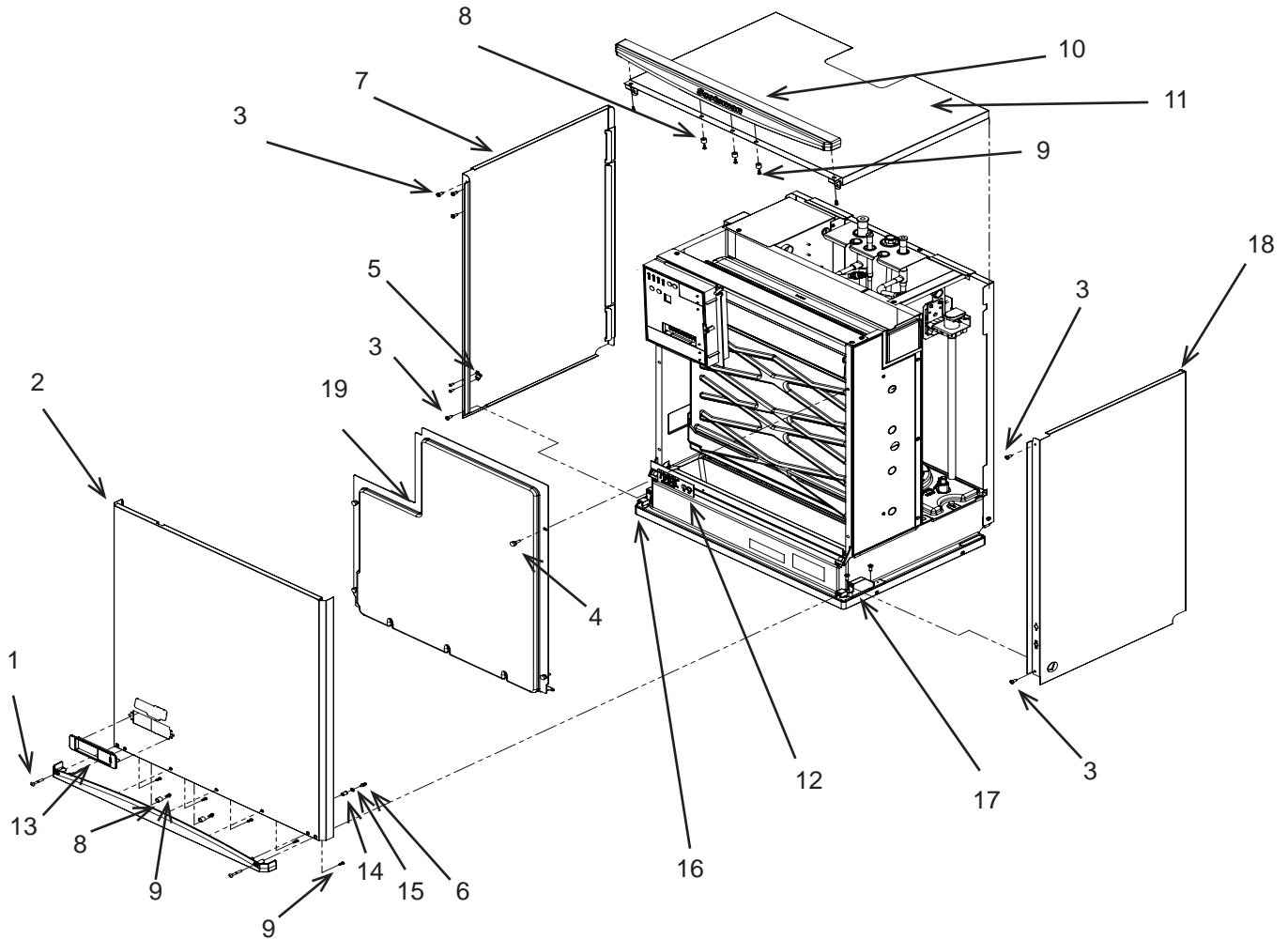


Item Number	Part Number	Description
1	A39074-021	Top panel
2	A39589-021	Right side panel, 60 Hz
	A39589-022	Right side panel, 50 hz
3	A39571-001	Panel clip
4	02-4341-01	Evaporator cover
4a	03-0727-05	Thumb screw
5	02-4324-01	Insulation
6	02-4217-01	Bottom gusset
7	02-4284-01	Bezel, full window - optional
8	02-4214-01	Trim strip
8a	03-1735-03	Screw
9	02-4284-02	Bezel, partial window
10	A39209-001	Machine strap
11	16-1036-01	Flare union
12	A39580-025	Left side panel, 60 Hz
	A39580-027	Left side panel, 50 hz
13	A39578-026	Front panel, includes items 5, 8, 6, 15 and 7
14	02-4216-01	Upper gusset
15	02-4215-01	Receptacle
15a	03-3804-01	Screw receptacle
15b	03-3836-02	Screw, hi-lo
16	03-1733-04	Catch^
17	03-1733-01	Strike^
18	03-1531-08	Screw^
	03-1417-27	Washer^
19	03-1404-12	Screw

^ 50 Hz model only

# Prodigy Eclipse ECC and EH222 Service Parts

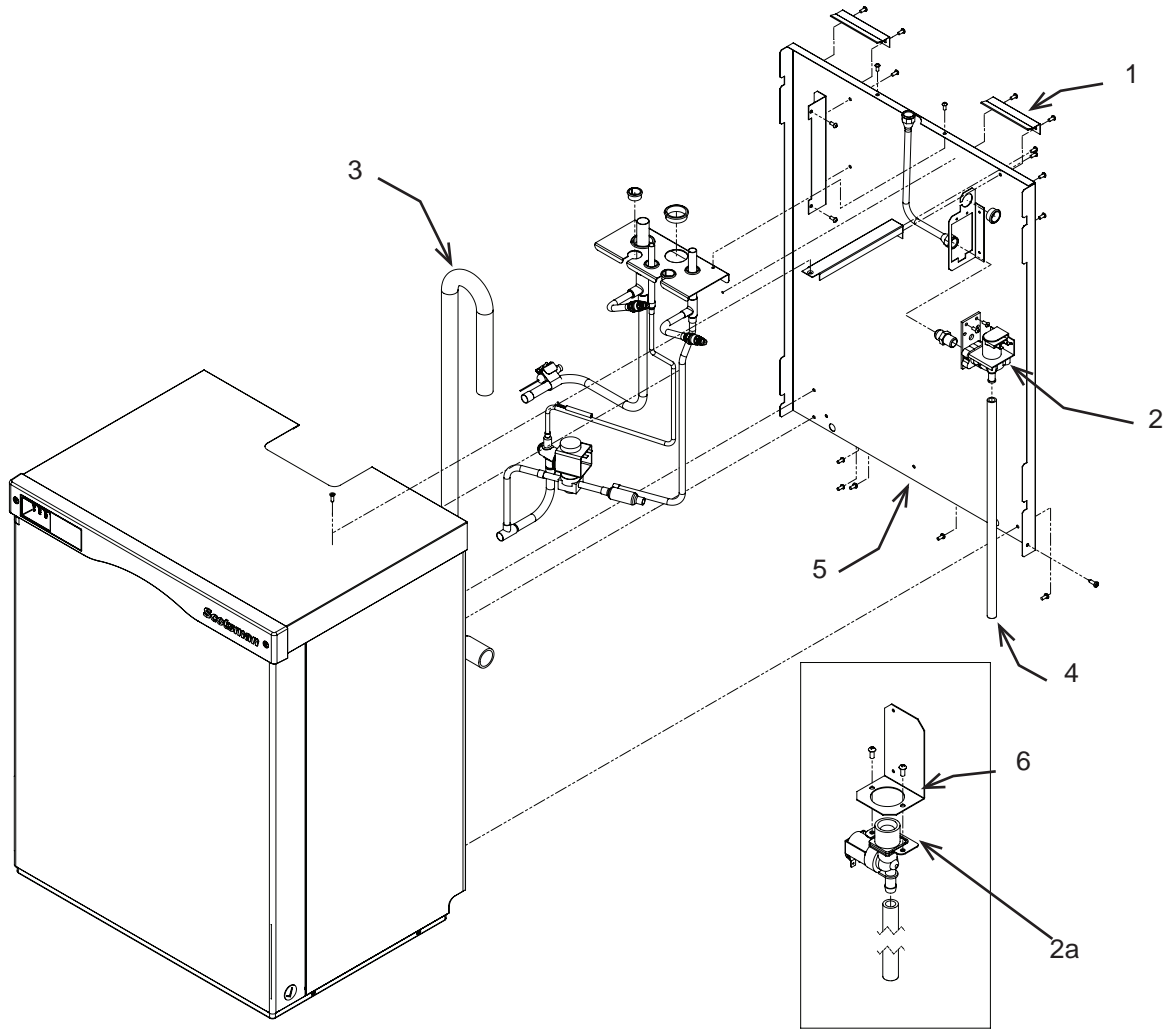
## EH222 Cabinet - D,E Series



Item Number	Part Number	Description
1	03-1735-03	Screw, Front Panel
2	A40308-032	Front Panel Complete
2a	02-4820-02	Lower Trimstrip
3	03-1404-10	Screw #8 X 1/2,
4	03-0727-05	Thumb Screw, #8-32 X 1/2
5	03-1733-04	Receptacle
6	03-1733-01	Ball Stud
7	A40310-027	Left Side Panel
8	02-4824-01	Spacer .25 Id X .38 Od
9	03-3836-02	Screw #8 X 3/8 Pan Head
10	02-4819-02	Top Trimstrip
11	A40309-025	Top Panel With Trimstrip
12	11-0622-21	Lower Switch Panel W/ Harness
13	02-4821-02	Bezel, Includes Standard Door
13a	02-4822-01	Standard Bezel Door (Door Only)
13b	02-4822-02	Secure Bezel Door (Door Only)
14	03-1734-01	Insert
15	03-1417-27	Lock washer #8
16	02-4823-21	*Panel mount kit, left
17	02-4823-22	*Panel mount kit, right
		*Includes both screw receptacles
18	A40335-023	Right Side Panel
19	02-4341-01	Inner Front Panel
		*Includes both screw receptacles

# Prodigy Eclipse ECC and EH222 Service Parts

## Back Panel Assembly



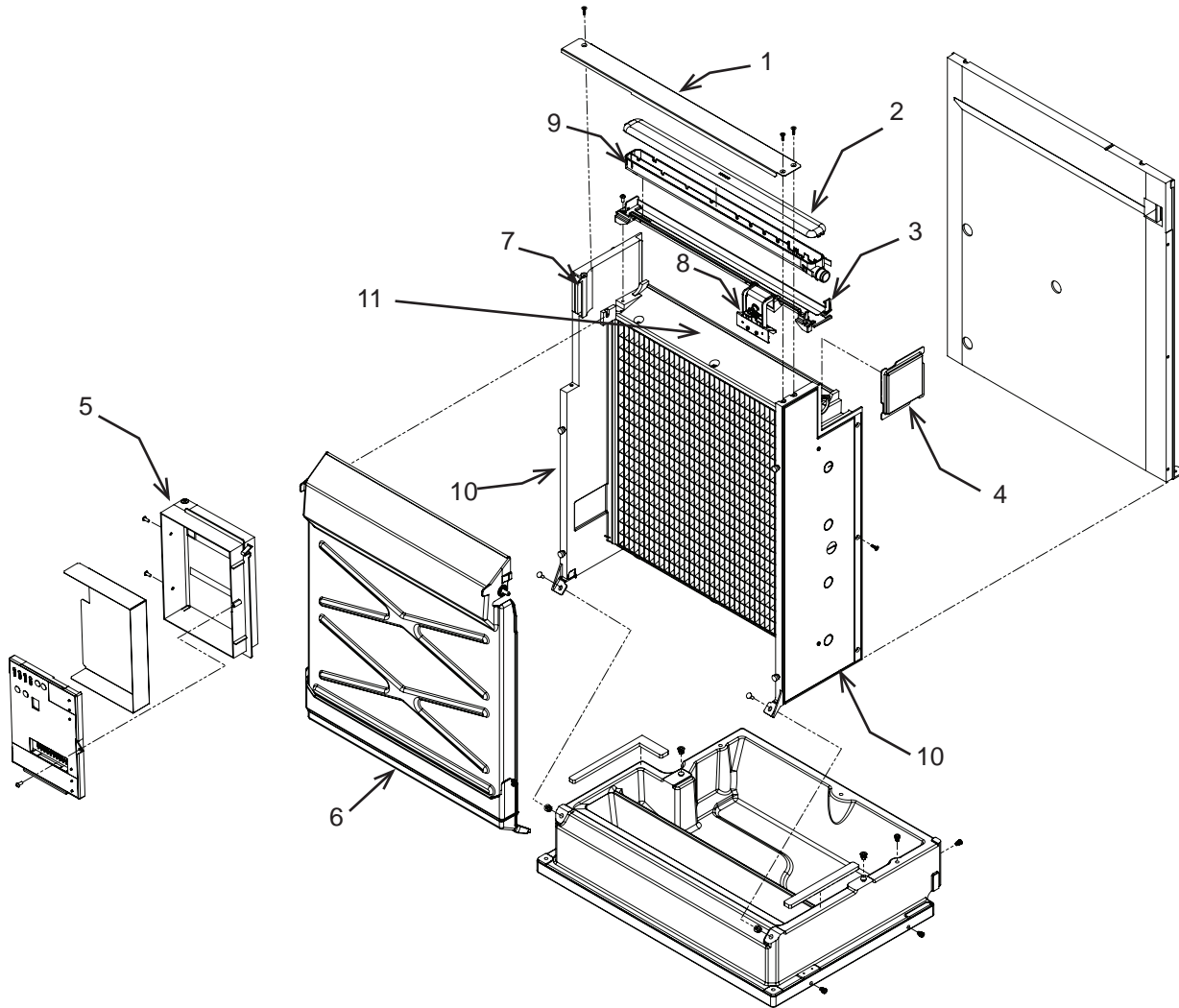
Item Number	Part Number	Description
1	A39070-001	Top panel bracket
2	12-2922-01	Inlet water sol valve, 115/60 Hz
2a	11-0568-02	Inlet water sol valve, 230/50 Hz
3	02-4290-01	Vent hose
4	13-0674-02	Tube, use 16 in
5	A40185-001	Back panel

Not shown

6 02-4716-01 Water inlet tube, 50 Hz only

# Prodigy Eclipse ECC and EH222 Service Parts

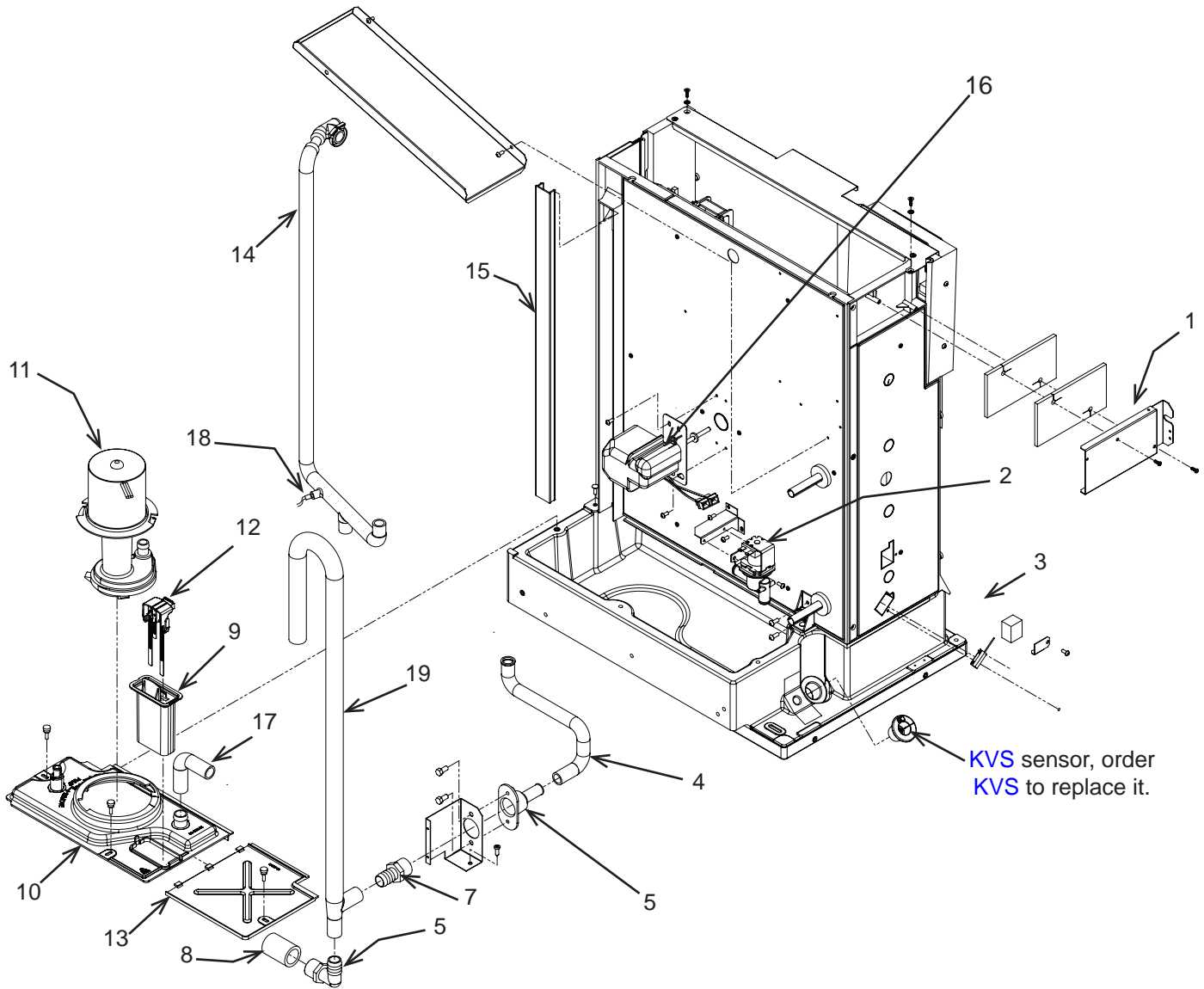
## EH222 Interior Parts



Item Number	Part Number	Description
1	<a href="#">A39078-001</a>	Bracket
2	<a href="#">02-4065-01</a>	Water distributor cover
3	<a href="#">02-4205-02</a>	Mounting bracket
4	<a href="#">02-4297-01</a>	Evap side cover
5	<a href="#">02-4343-01</a>	Controller box
6	<a href="#">02-4611-21</a>	Curtain only (articulated)
7	<a href="#">A39053-021</a>	Evaporator, small cube
	<a href="#">A39053-022</a>	Evaporator, med cube
8	<a href="#">A39031-021</a>	Ice thickness sensor
9	<a href="#">02-4064-02</a>	Water distributor
10	<a href="#">A39054-001</a>	Left surround
	<a href="#">A39056-001</a>	Right surround
11	<a href="#">02-4156-21</a>	Spillway Replacement Kit

# Prodigy Eclipse ECC and EH222 Service Parts

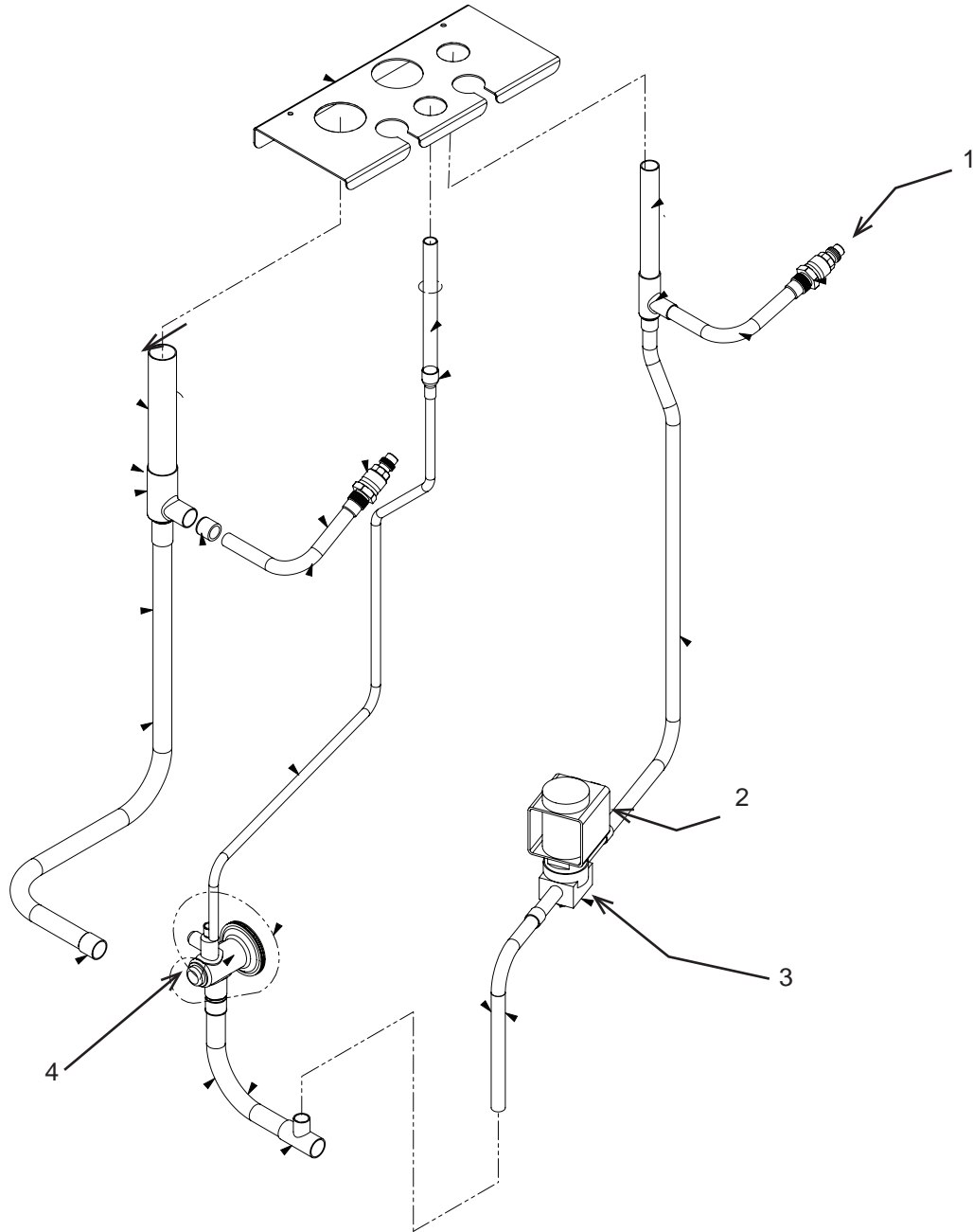
## EH222 Water System



Item Number	Part Number	Description	Item Number	Part Number	Description
1	A39277-001	Chase cover	13	02-4292-01	Sump cover
2	11-0564-01	Purge valve - 60 Hz	14	02-4286-01	Pump hose
	11-0564-02	Purge valve - 50 Hz	15	02-4296-01	Hose cover
3	11-0563-03	Curtain switch	16	12-3060-21	Harvest assist sol, 60 Hz
4	A39232-002	Drain hose		12-3060-22	Harvest assist sol, 50 Hz
5	02-3692-21	Drain adapter	17	A39232-001	Drain tube, inlet
6	16-1099-01	Fitting	18	11-0515-21	Water temp sensor
7	16-1134-01	Elbow	19	02-4290-01	Drain and vent tube
8	16-1099-02	Coupling, pvc			
9	02-4646-01	Sensor guard,			
10	02-4650-01	Pump bracket			
11	12-2920-24	Water pump, 60 Hz			
	12-2920-25	Water pump, 50 Hz			
12	A39030-021	Water level sensor			

# Prodigy Eclipse ECC and EH222 Service Parts

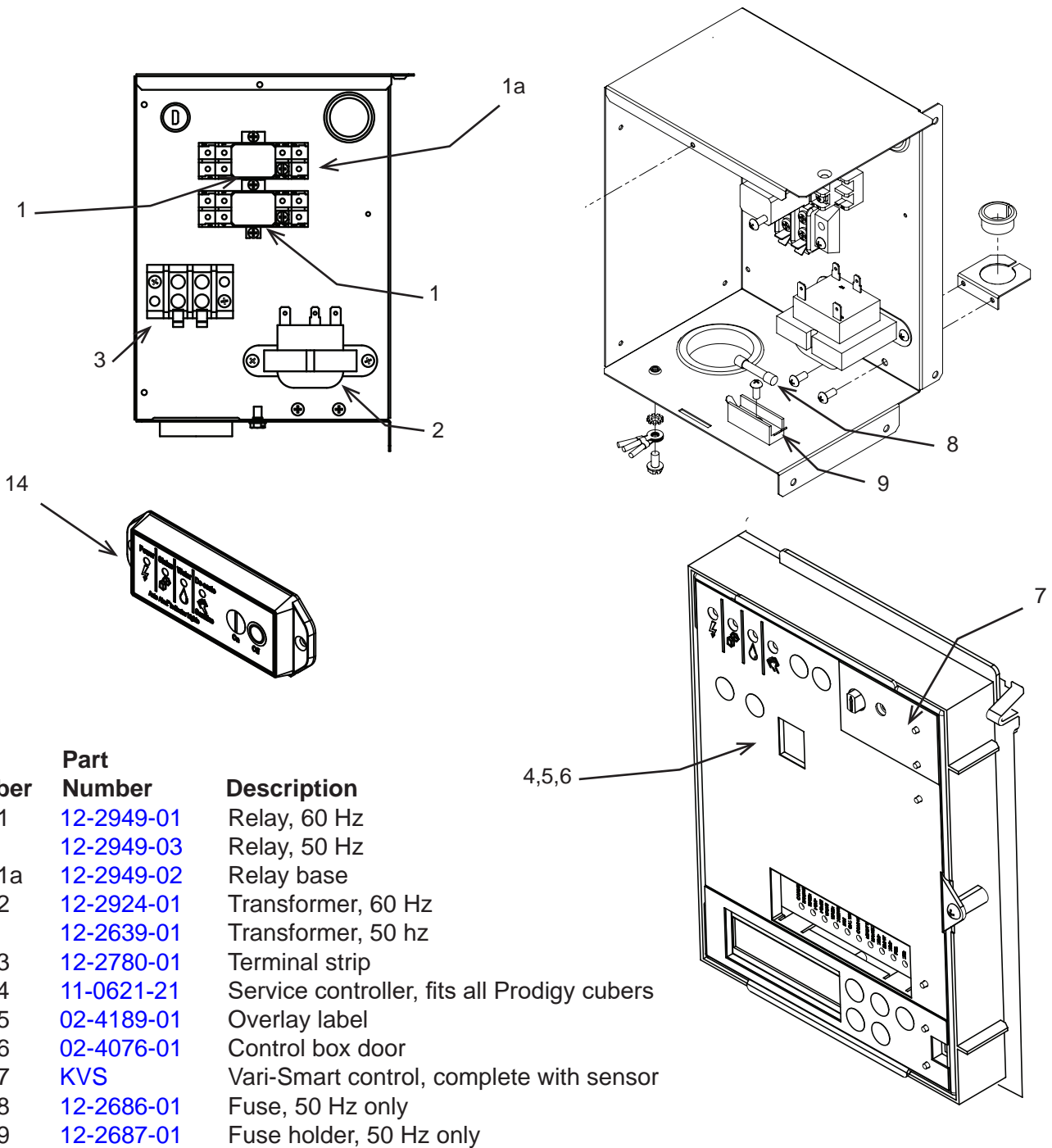
## EH222 Refrigeration



Item Number	Part Number	Description
1	16-1137-01	Access valve seat
	16-1140-01	Access valve cap
	16-1139-01	Access valve core
2	12-2719-21	Coil, 115 volt
	12-2719-22	Coil, 230 volt 50 Hz
3	11-0493-02	Vapor solenoid valve A-D Series- 115/60 Hz
	11-0493-03	Vapor solenoid valve E Series- 115/60 Hz
	11-0491-01	Vapor solenoid valve, - 230/50 Hz
4	16-1142-01	TXV
4a	19-0599-06	Insulation, TXV

# Prodigy Eclipse ECC and EH222 Service Parts

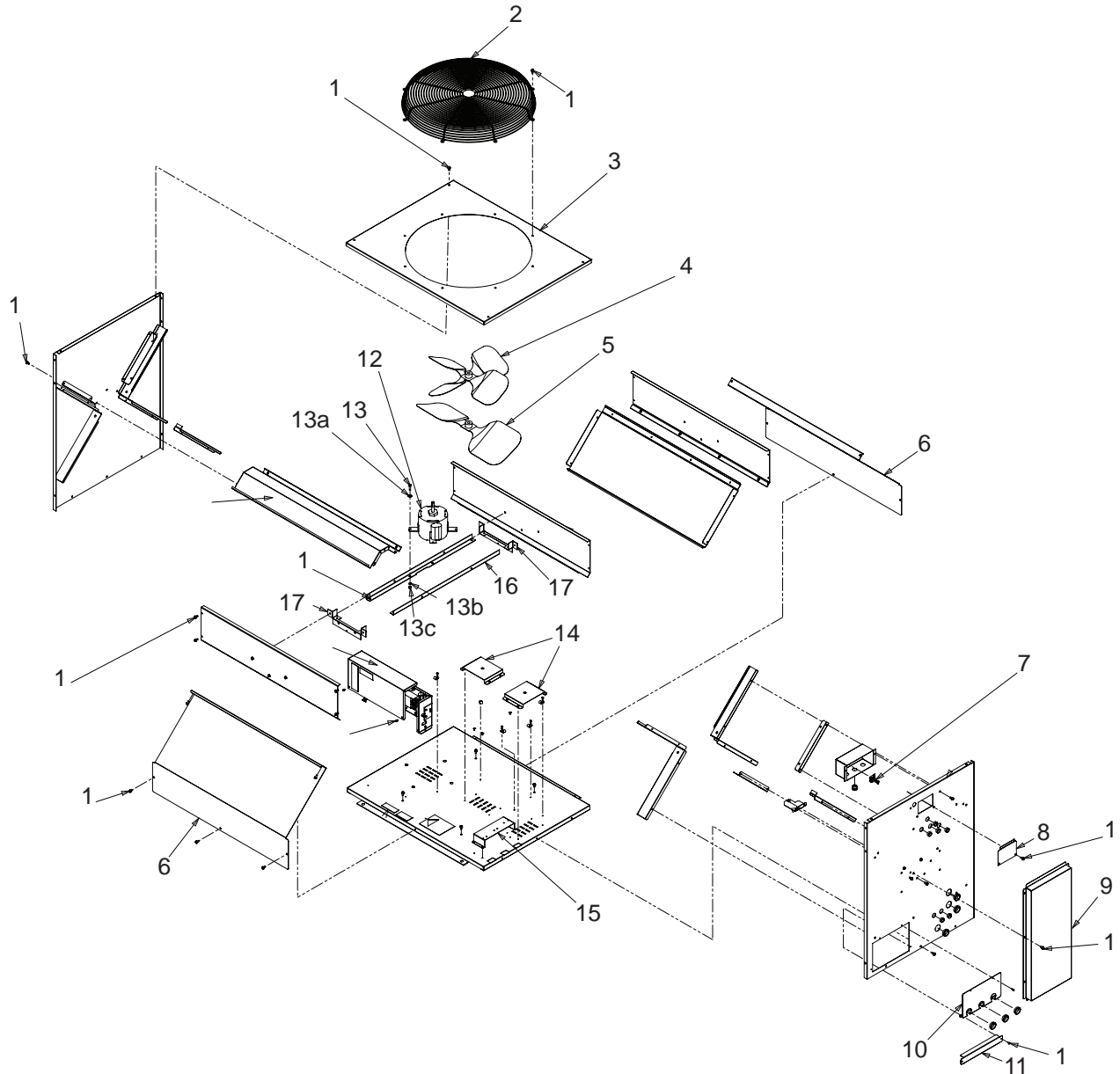
## EH222 Electrical



Item Number	Part Number	Description
1	<a href="#">12-2949-01</a>	Relay, 60 Hz
	<a href="#">12-2949-03</a>	Relay, 50 Hz
1a	<a href="#">12-2949-02</a>	Relay base
2	<a href="#">12-2924-01</a>	Transformer, 60 Hz
	<a href="#">12-2639-01</a>	Transformer, 50 Hz
3	<a href="#">12-2780-01</a>	Terminal strip
4	<a href="#">11-0621-21</a>	Service controller, fits all Prodigy cubers
5	<a href="#">02-4189-01</a>	Overlay label
6	<a href="#">02-4076-01</a>	Control box door
7	<a href="#">KVS</a>	Vari-Smart control, complete with sensor
8	<a href="#">12-2686-01</a>	Fuse, 50 Hz only
9	<a href="#">12-2687-01</a>	Fuse holder, 50 Hz only
Not shown:		
10	<a href="#">12-1638-19</a>	Power cord, 60 Hz
	<a href="#">12-1638-25</a>	Power cord, 50 Hz
11	<a href="#">12-2957-01</a>	High voltage harness, 60 Hz
	<a href="#">12-3074-02</a>	High voltage harness, 50 Hz
12	<a href="#">12-2954-01</a>	Low voltage harness, 60 Hz
	<a href="#">12-3072-01</a>	Low voltage harness, 50 Hz
13	<a href="#">12-2928-01</a>	Water level sensor harness
14	<a href="#">11-0622-21</a>	Lower Switch Panel W/ Harness

# Prodigy Eclipse ECC and EH222 Service Parts

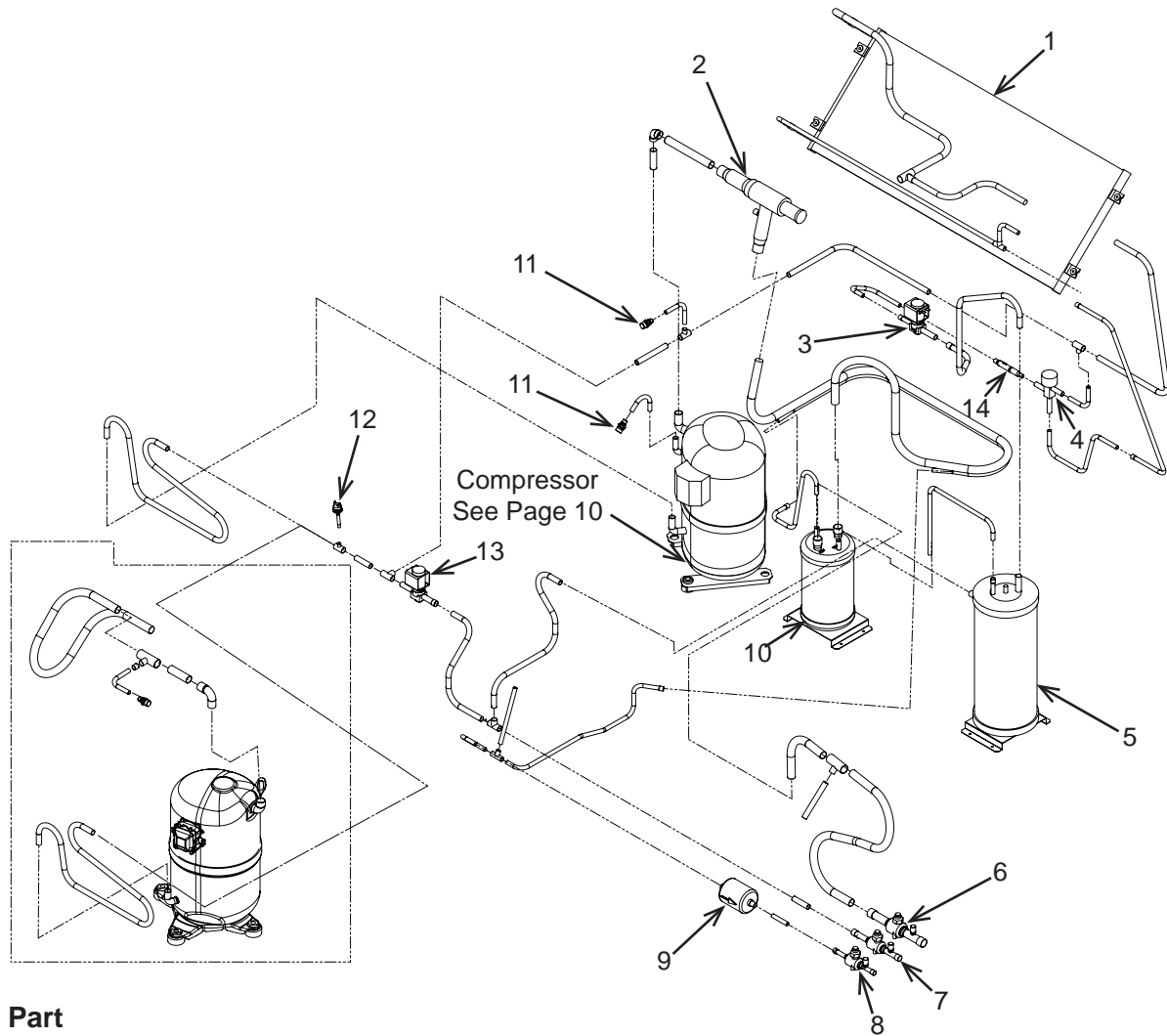
## ECC Cabinet and Fan



Item Number	Part Number	Description
1	03-1645-01	Screw
2	02-3575-01	Fan guard, 0800A, 1410A
	02-3770-01	Fan guard, 1800A, 0800E, 1410E
3	A39744-001	Top panel, 0800A, 1410A
	A39744-002	Top panel, 1800A, 0800E, 1410E
4	18-8816-01	Fan blade, 0800A, 1410A
5	18-8820-01	Fan blade, 1800A, 0800E, 1410E
6	A40100-001	Cover
7	12-2640-01	Terminal strip, 50 Hz only
8	A37128-001	Box cover
9	A40091-001	Chase cover
10	A40094-001	Valve cover
11	A40106-001	Lower cover
12	12-2651-03	Fan motor, 0800, 1410A
	12-3135-01	ECM Fan motor, 1410E
	12-2949-04	Fan relay used on E Series only
	12-2717-02	Fan motor, 1800
13	03-1405-08	Hex bolt
13a	03-1407-06	Flat washer
13b	03-1410-03	Lock washer
13c	03-1406-08	Nut
14	A37948-001	Bracket
15	A40093-001	Bracket
16	A39749-001	Motor bracket
17	A37282-001	Support

# Prodigy Eclipse ECC and EH222 Service Parts

## ECC Refrigeration Components



Item Number	Part Number	Description
1	18-8945-22	Coil
2	16-1096-01	CPR valve
3	11-0546-01	Liquid line inlet valve
4	11-0422-22	Head master valve
5	16-1085-03	Receiver
6	16-1208-03	Ball valve 3/4
7	16-1208-02	Ball valve 1/2
8	16-1208-01	Ball valve 3/8
9	02-3319-02	Dryer
10	16-1157-21	Accumulator, 0800, 1410
	16-1122-21	Accumulator, 1800
11	16-1137-01	Access valve seat
	16-1139-01	Access valve core
	16-1140-01	Access valve cap
12	11-0501-02	High pressure cut out switch
13	11-0507-03	Bypass valve
14	16-1029-01	Check valve

# Prodigy Eclipse ECC and EH222 Service Parts

## ECC0800 and ECC1410 Compressors

Compressor - see table below

Model	Phase	Hz	Part Number
ECC0800-32	single	60	<a href="#">18-8813-23</a>
ECC0800-3	three	60	<a href="#">18-8813-25</a>
ECC0800-6	single	50	<a href="#">18-8749-27</a>
ECC1410-32A	single	60	<a href="#">18-8965-21</a>
ECC1410-32E	single	60	<a href="#">18-8726-23</a>
ECC1410-3A	three	60	<a href="#">18-8965-22</a>
ECC1410-3E	three	60	<a href="#">18-8726-25</a>

Single phase 60 Hz compressors include starting components.

All include a drier.

All have internal overloads

[12-3043-03](#) Crankcase heater for 18-8813, 18-8726 and 18-8749 type  
Crankcase heater for 18-8965 type is internal.

Mounting parts for compressors:

[18-2300-27](#) Mounting grommet  
[18-2300-26](#) Sleeve  
[03-1407-07](#) Flat washer  
[03-1405-20](#) Cap screw

Parts Shipped in condensing unit:

[12-2865-01](#) 75' Interconnecting harness

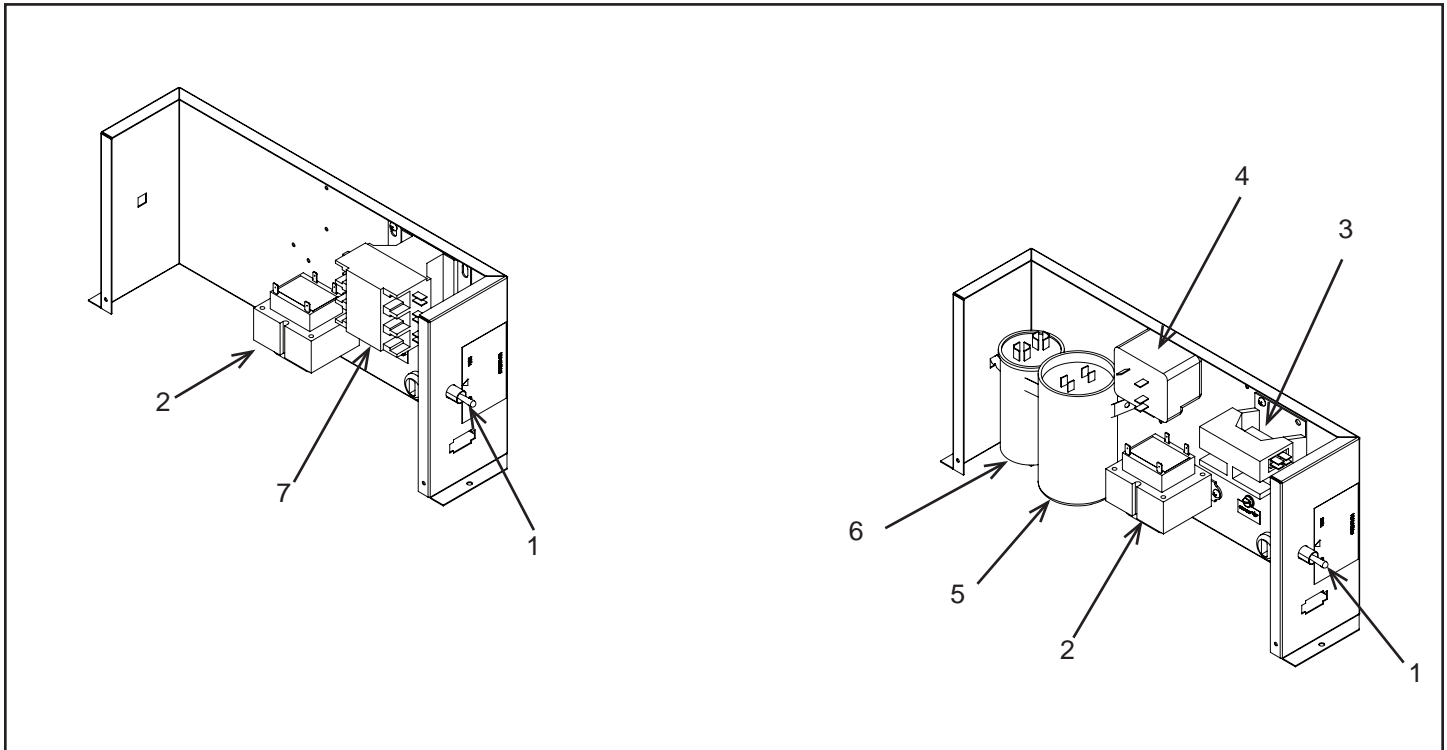
Note: Pin Extraction Tool is available.

TE Connectivity Part Number 305183

Here is an example [Link](#)

# Prodigy Eclipse ECC and EH222 Service Parts

## ECC0800 and ECC1410 Control Box



**Three Phase Control Box**

**Single Phase Control Box**

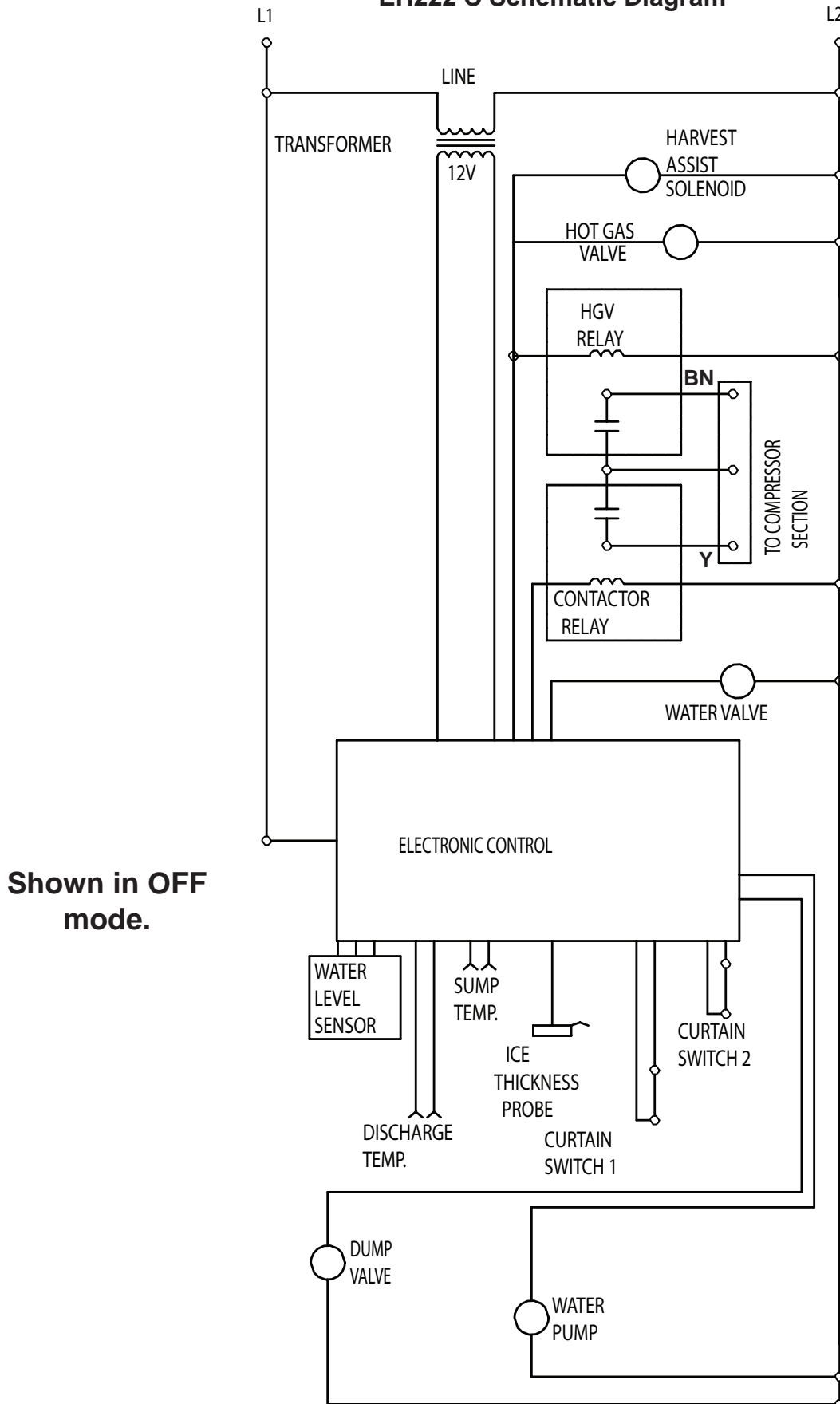
Item Number	Part Number	Description
1	<a href="#">12-2637-01</a>	Toggle switch
2	<a href="#">12-2836-02</a>	Transformer, 60 Hz models 230 volt to 24 volt
	<a href="#">12-2639-02</a>	Transformer, 50 Hz models
3	<a href="#">12-2469-01</a>	Single phase contactor

			A Series	E Series
			<b>ECC1410-32A</b>	<b>ECC1410-32E</b>
4	Comp. Relay	<a href="#">18-1903-33</a>	<a href="#">18-1903-72</a>	<a href="#">18-1903-33</a>
5	Start Capacitor	<a href="#">18-1901-15</a>	<a href="#">18-1901-59</a>	<a href="#">18-1901-15</a>
6	Run Capacitor	<a href="#">18-1902-69</a>	<a href="#">18-1902-69</a>	<a href="#">18-1902-69</a>

7	<a href="#">12-2533-01</a>	Contactor, 3 phase
Not Shown:		
8	<a href="#">12-3043-03</a>	Crankcase heater, 0800 and 1410E
9	<a href="#">12-2686-01</a>	Fuse, 50 Hz models only
10	<a href="#">12-2687-01</a>	Fuse holder, 50 Hz models only
11	<a href="#">12-2640-01</a>	Terminal block, 50 Hz models only

# Prodigy Eclipse ECC and EH222 Service Parts

## EH222 C Schematic Diagram



Shown in OFF mode.

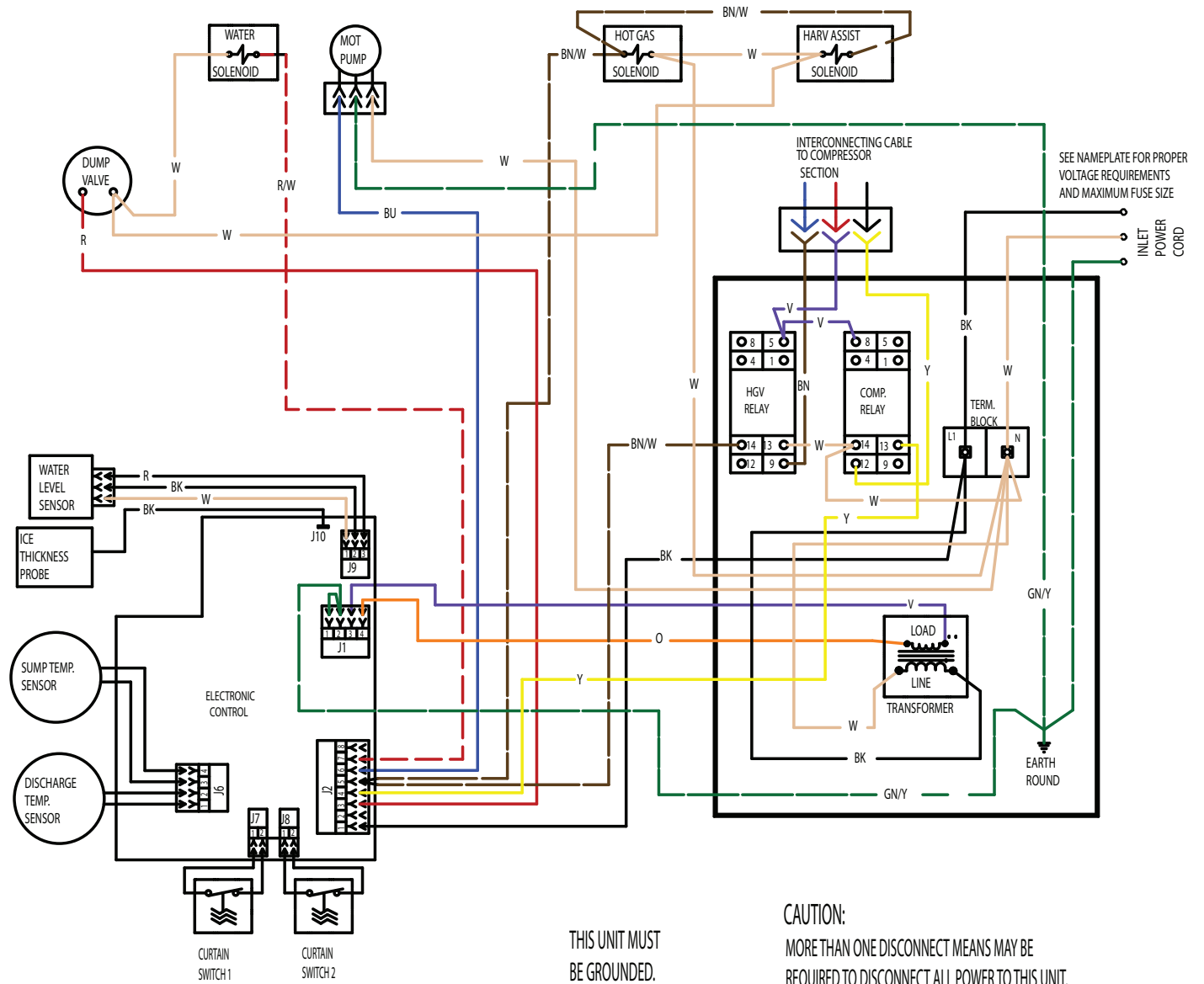
# Prodigy Eclipse ECC and EH222 Service Parts

## EH222 C Wiring Diagram

USE COPPER CONDUCTORS ONLY

17-3111-01

⚠ DASHED LINES INDICATE FIELD WIRING WHICH MUST BE INSTALLED IN ACCORDANCE WITH THE NATIONAL ELECTRICAL CODE AND ALL STATE AND LOCAL CODES.



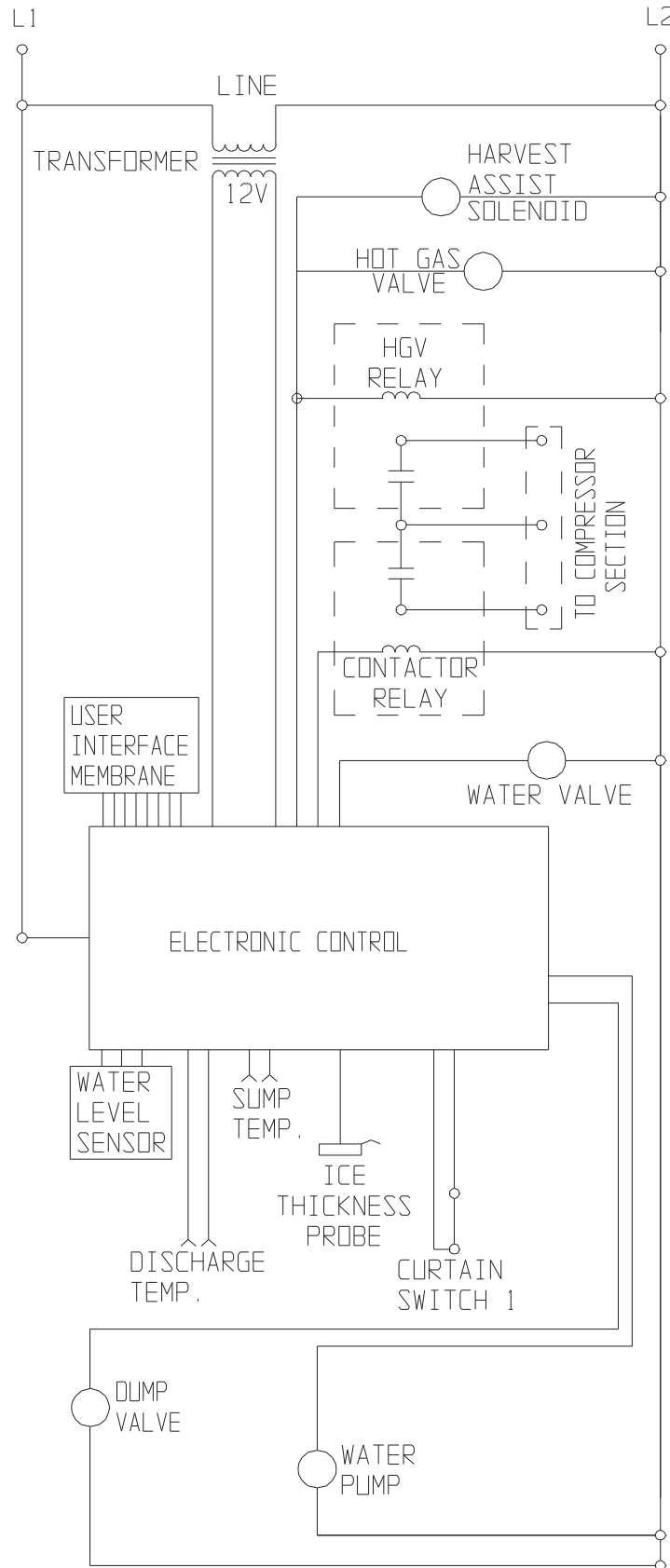
THIS UNIT MUST BE GROUNDED.

CAUTION:  
MORE THAN ONE DISCONNECT MEANS MAY BE REQUIRED TO DISCONNECT ALL POWER TO THIS UNIT.

	Freeze: Coil	Freeze: Contacts	Harvest: Coil	Harvest: Contacts
Comp Relay	Energized (by Y)	8-12 closed (to Y)	Energized (by Y)	8-12 Closed (to Y)
HGV Relay	NOT Energized	5-9 Open	Energized (by BN/W)	5-9 Closed (to BN)

# Prodigy Eclipse ECC and EH222 Service Parts

## EH222 D and E Schematic Diagram



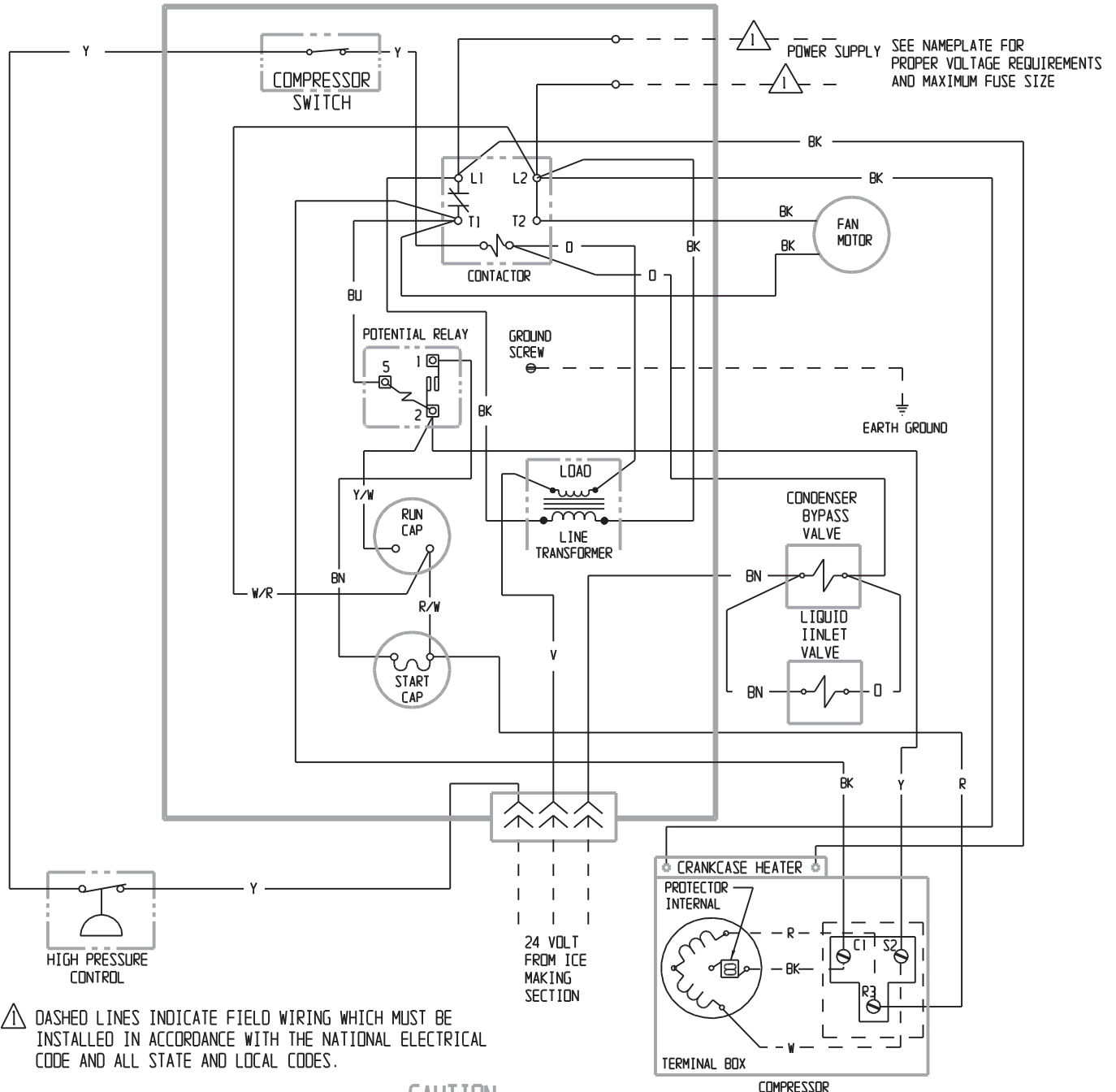


# Prodigy Eclipse ECC and EH222 Service Parts

## ECC0800 C,D and E and ECC1410 C and D Single Phase Wiring Diagram

17-3461-01

USE COPPER CONDUCTORS ONLY



⚠ DASHED LINES INDICATE FIELD WIRING WHICH MUST BE INSTALLED IN ACCORDANCE WITH THE NATIONAL ELECTRICAL CODE AND ALL STATE AND LOCAL CODES.

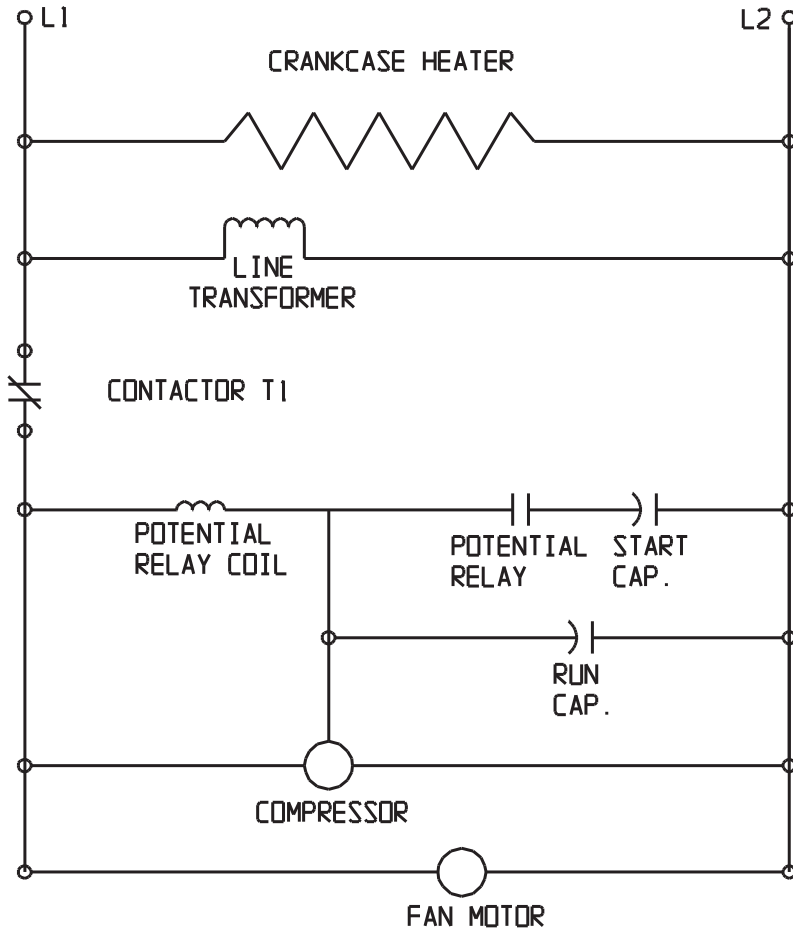
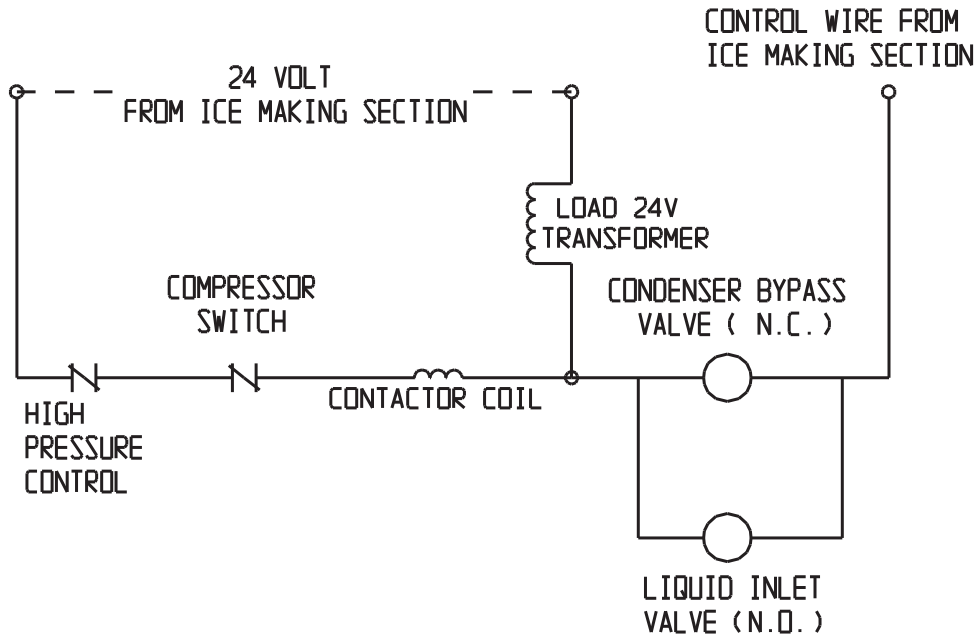
CAUTION:

MORE THAN ONE DISCONNECT MEANS MAY BE REQUIRED TO DISCONNECT ALL POWER TO THIS UNIT.

THIS UNIT MUST BE GROUNDED.

# Prodigy Eclipse ECC and EH222 Service Parts

## ECC0800 C,D and E and ECC1410 C, D Single Phase Schematic Diagram

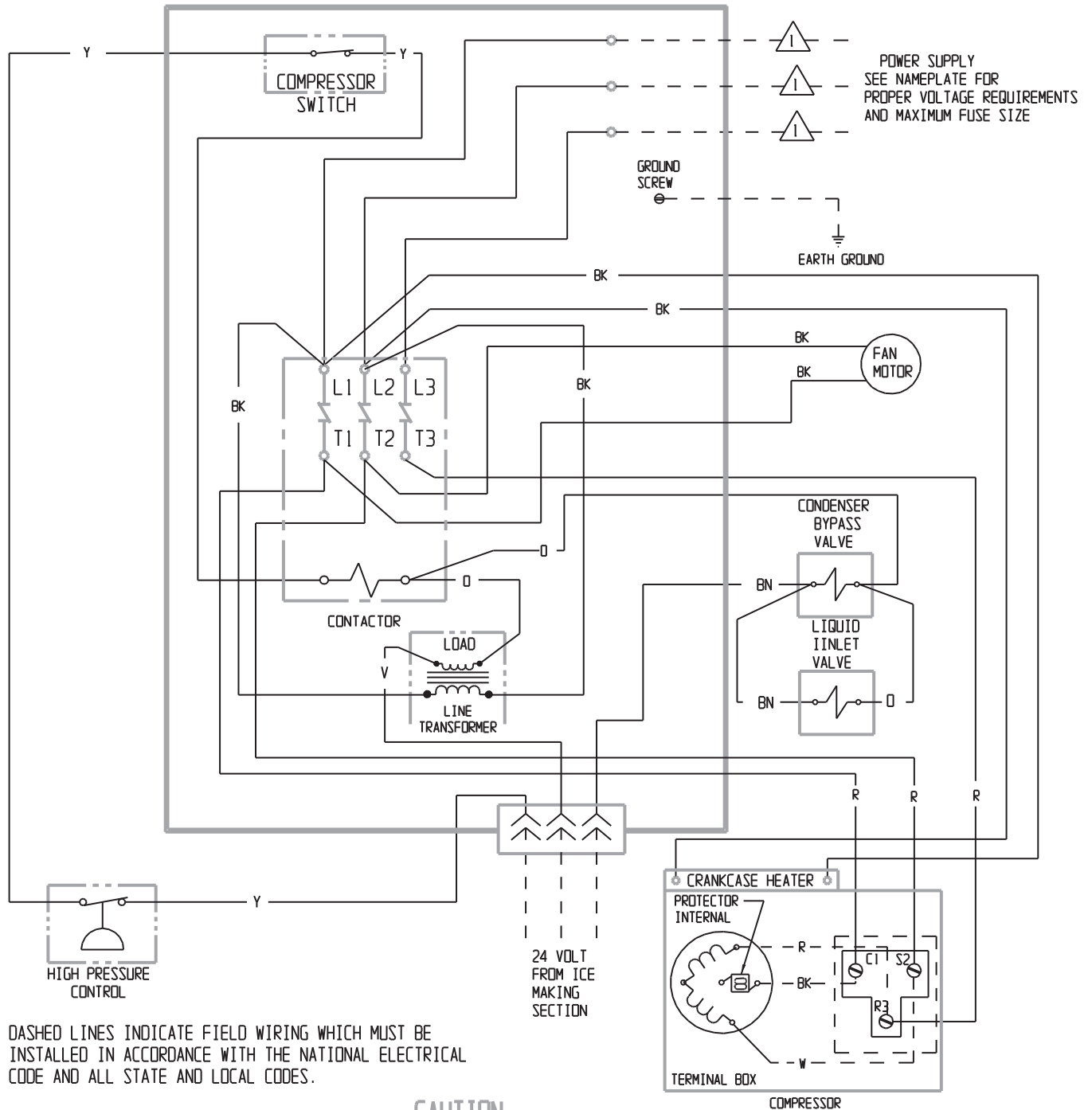


# Prodigy Eclipse ECC and EH222 Service Parts

## ECC0800 C,D and E and ECC1410 C and D Three Phase Wiring Diagram

17-3460-01

USE COPPER CONDUCTORS ONLY



⚠ DASHED LINES INDICATE FIELD WIRING WHICH MUST BE INSTALLED IN ACCORDANCE WITH THE NATIONAL ELECTRICAL CODE AND ALL STATE AND LOCAL CODES.

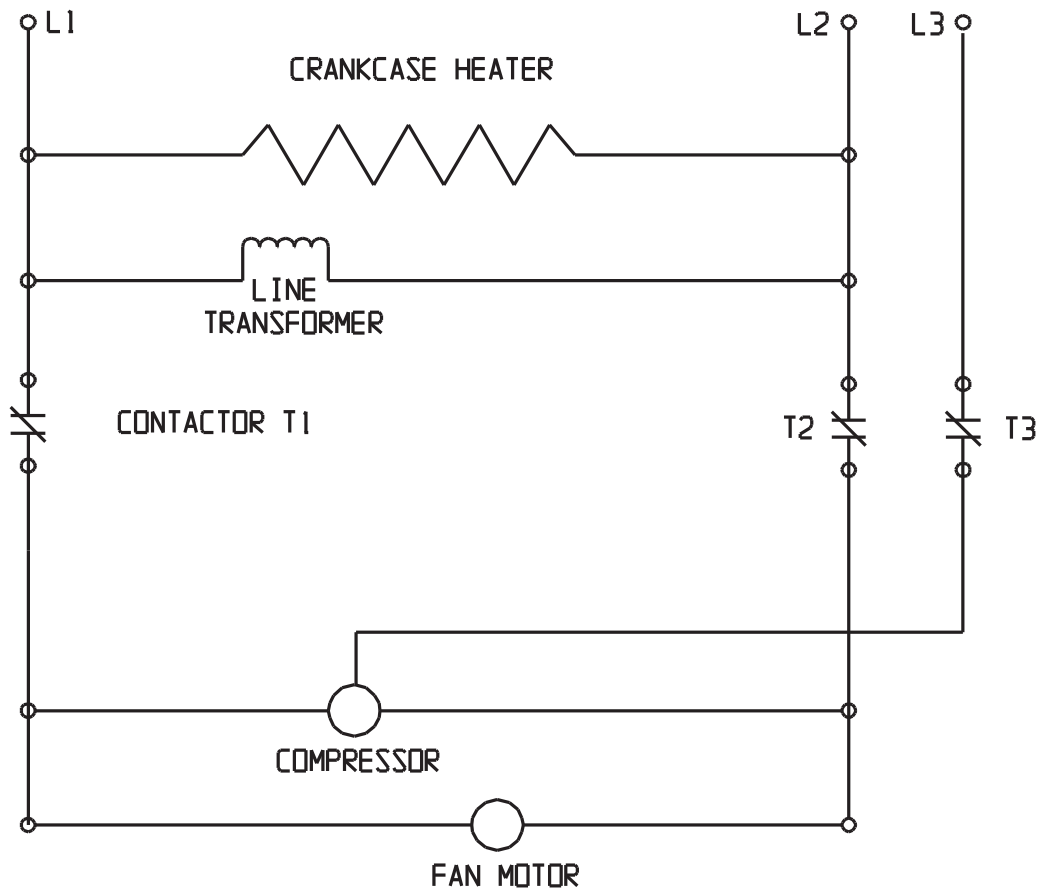
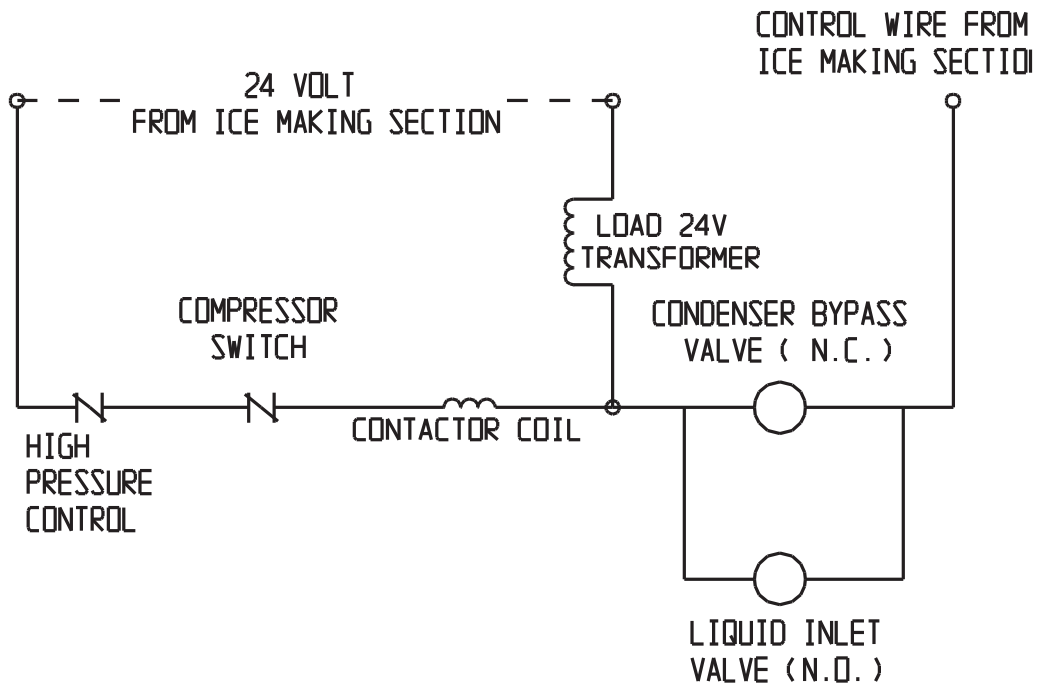
CAUTION:

MORE THAN ONE DISCONNECT MEANS MAY BE REQUIRED TO DISCONNECT ALL POWER TO THIS UNIT.

THIS UNIT MUST BE GROUNDED.

# Prodigy Eclipse ECC and EH222 Service Parts

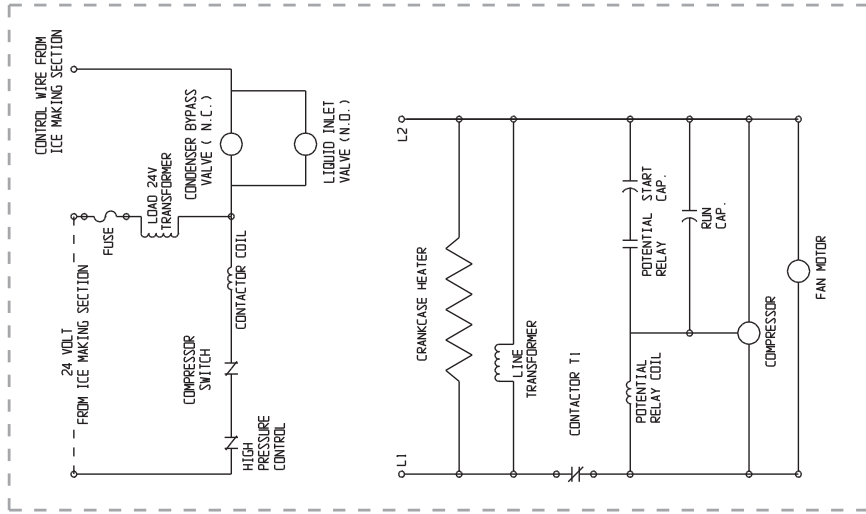
## ECC0800 C,D and E and ECC1410 C and D Three Phase Schematic Diagram



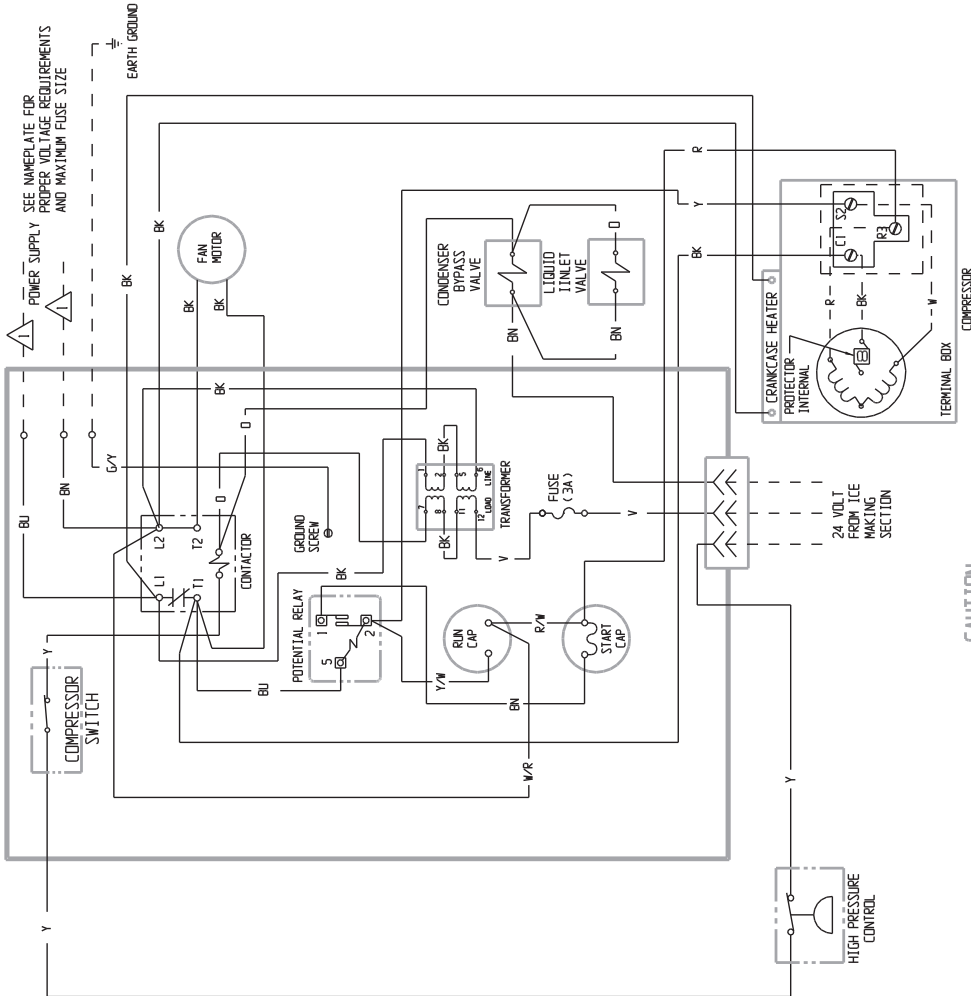
# Prodigy Eclipse ECC and EH222 Service Parts

## 50 Hz Model Wiring and Schematic Diagram

⚠ DASHED LINES INDICATE FIELD WIRING WHICH MUST BE INSTALLED IN ACCORDANCE WITH THE NATIONAL ELECTRICAL CODE AND ALL STATE AND LOCAL CODES.



USE COPPER CONDUCTORS ONLY



CAUTION:  
MORE THAN ONE DISCONNECT MEANS MAY BE REQUIRED TO DISCONNECT ALL POWER TO THIS UNIT.

THIS UNIT MUST BE GROUNDED.

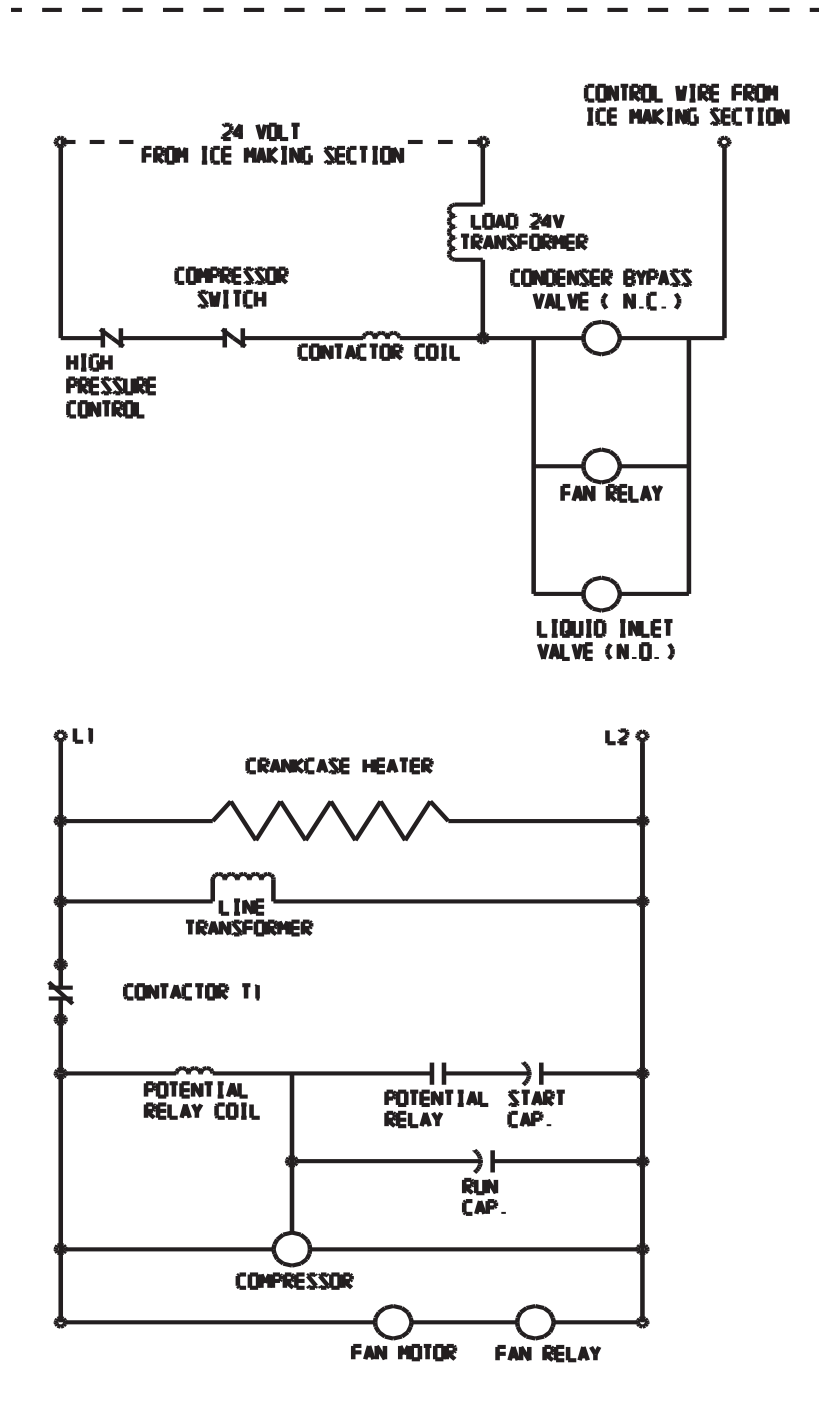
17-3462-01



# Prodigy Eclipse ECC and EH222 Service Parts

## ECC1410 E Single Phase Schematic Diagram

CODE AND ALL STATE AND LOCAL CODES.

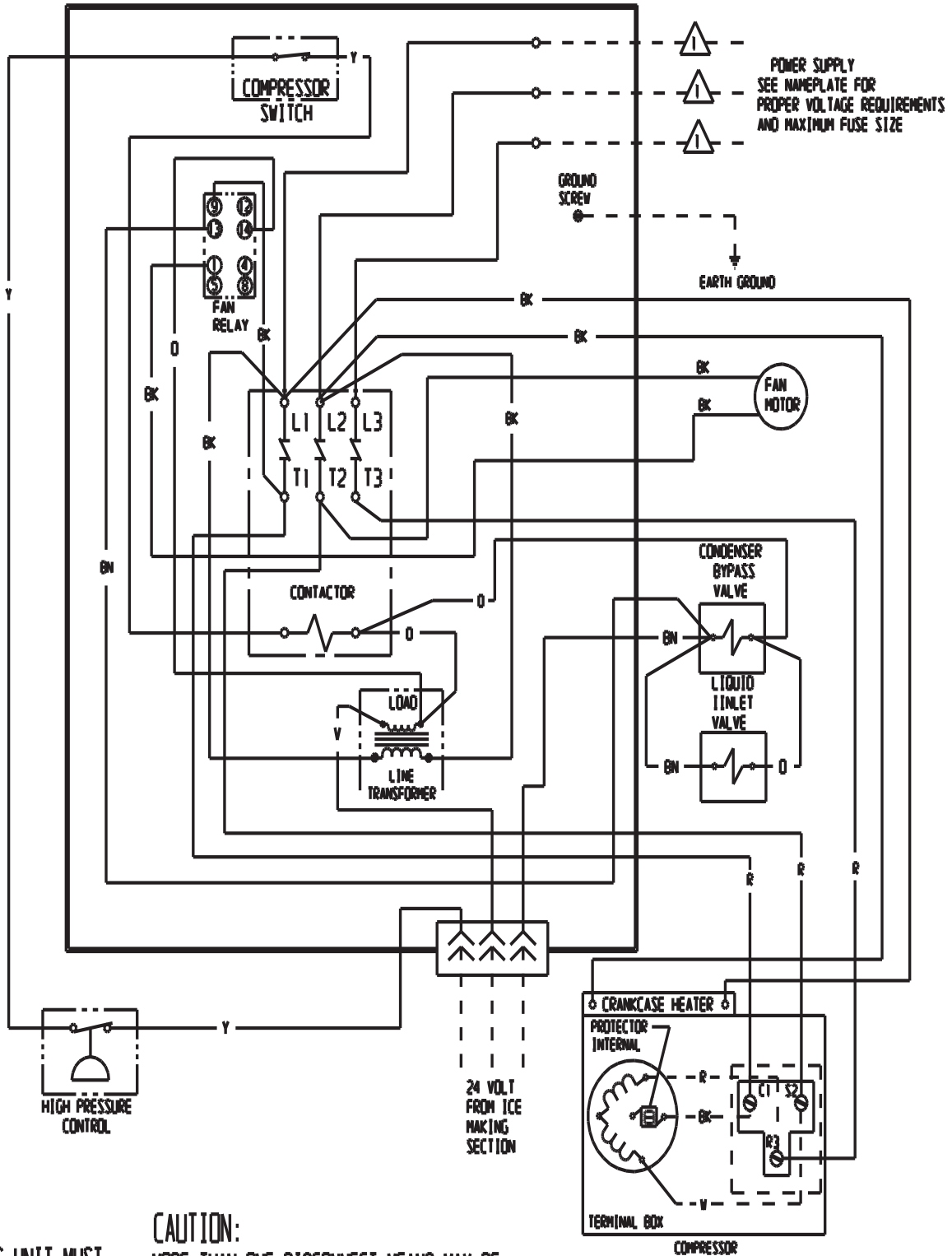


# Prodigy Eclipse ECC and EH222 Service Parts

## ECC1410 E Three Phase Wiring Diagram

17-3652-01

USE COPPER CONDUCTORS ONLY



THIS UNIT MUST  
BE GROUNDED.

CAUTION:  
MORE THAN ONE DISCONNECT MEANS MAY BE  
REQUIRED TO DISCONNECT ALL POWER TO THIS UNIT.

# Prodigy Eclipse ECC and EH222 Service Parts

## ECC1410 E Three Phase Schematic Diagram

**⚠ DASHED LINES INDICATE FIELD WIRING WHICH MUST BE INSTALLED IN ACCORDANCE WITH THE NATIONAL ELECTRICAL CODE AND ALL STATE AND LOCAL CODES.**

