

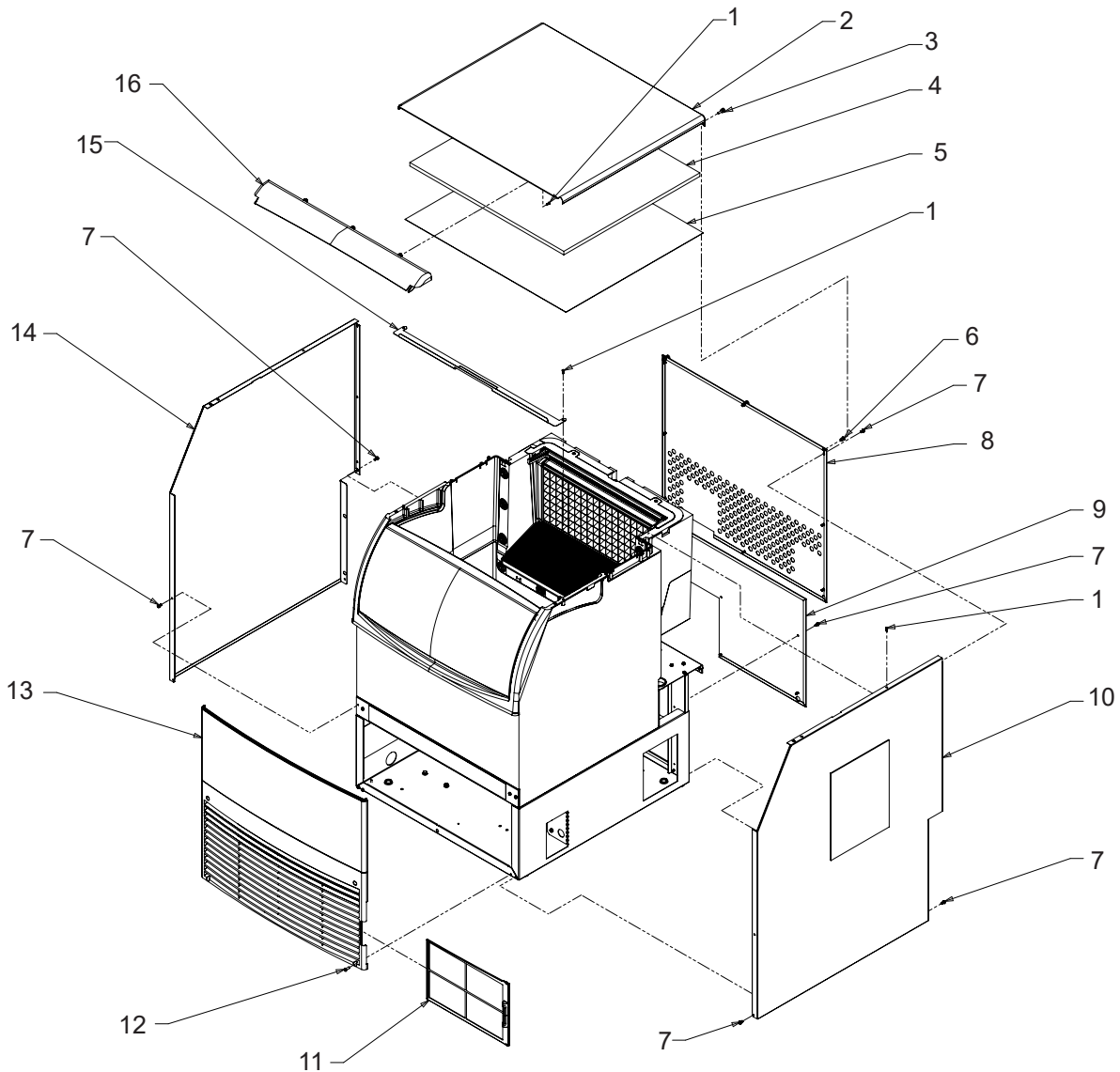
Service Parts List for Models UC2024 and UC2724

This is the service parts lists for the above Scotsman ice machines.
There are two voltages, two cube sizes and two capacities.
Be CERTAIN to order the correct part for the model being worked on.

Contents

Cabinet	Page 2
Bin and Door	Page 3
Upper Bin Parts	Page 4
Water Pump, Valve and Tubes	Page 5
Fan and Fan Blade	Page 6
Water Cooled Parts	Page 7
Refrigeration	Page 8
Air Cooled Refrigeration	Page 9
Compressors	Page 10
Controller, Transformer and Harnesses.	Page 11

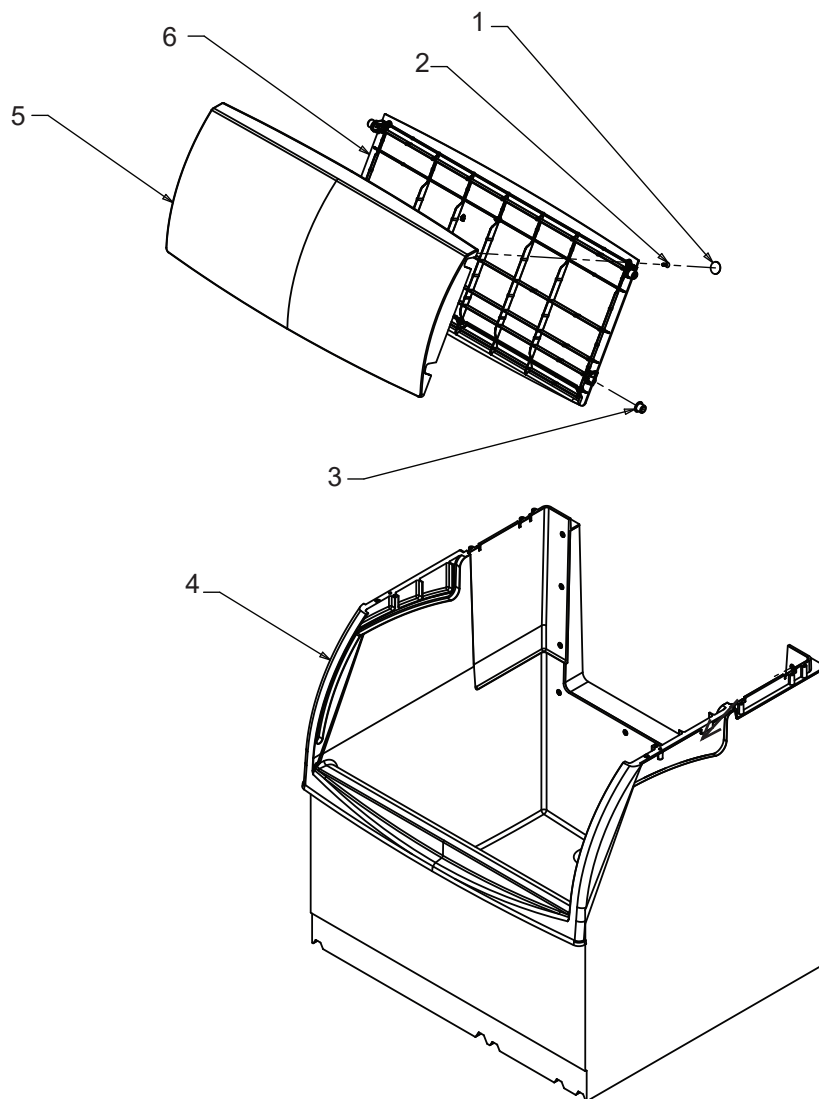
Service Parts List for Models UC2024 and UC2724 Cabinet



Item	Part Number	Description
1	03-3836-03	Screw
2	A40593-021	Top panel
3	03-0727-05	Thumb screw
4	02-4963-01	Top panel insulation
5	02-4962-01	Inner top panel
6	03-1642-08	Hex insert
7	03-3943-01	Screw
8	A40584-021	Upper back panel
9	A40585-001	Lower back panel
10	A40589-001	Right side panel
11	02-4952-01	Air filter
12	03-1404-12	Screw
13	02-4951-01	Front panel
14	A40589-002	Left side panel
15	A41068-001	Top frame bracket
16	02-4948-001	Top frame
	Not Shown	
	NS1	02-4391-03 Ice Scoop
	NS2	KLP7 Legs, set of 4

Service Parts List for Models UC2024 and UC2724

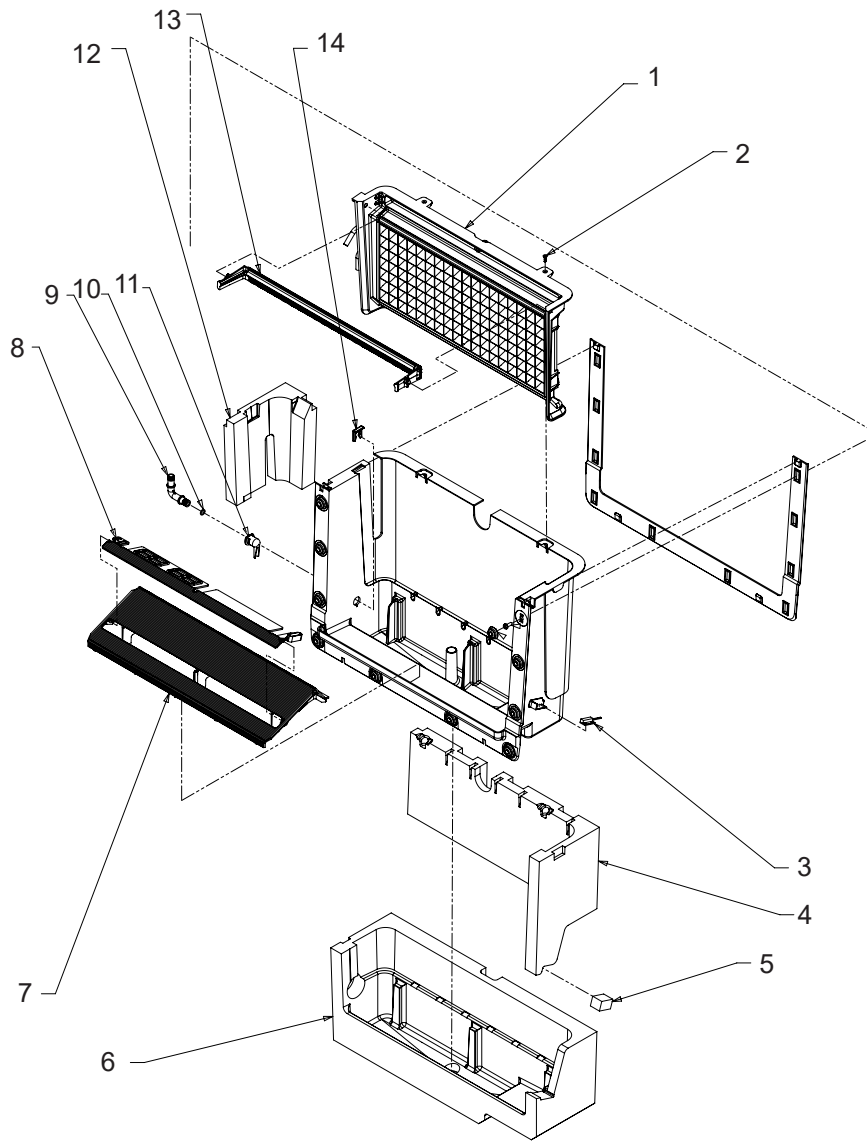
Bin and Door



Item	Part Number	Description
1	02-5019-01	Screw cover
2	03-3870-01	Screw
3	03-3941-01	Bushing
4	A40668-003	Bin assembly
5	02-4946-01	Outer door
6	02-4946-02	Inner door

Service Parts List for Models UC2024 and UC2724

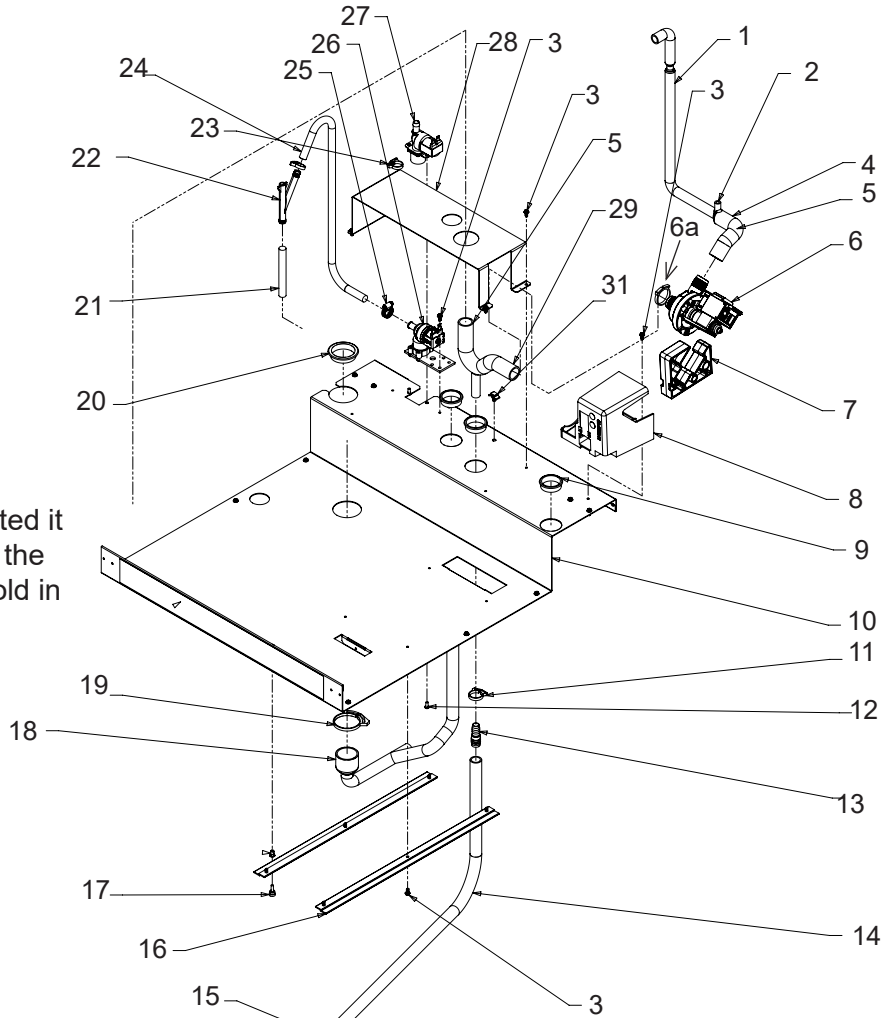
Upper Bin Parts



Item	Part Number	Description
1	A40970-021	Evaporator, medium cube
	A40970-022	Evaporator, small cube
2	03-3870-01	Screw
3	11-0563-06	Flap / curtain switch
4	02-5036-02	Insulation
5	02-4335-01	Plug
6	02-5036-01	Insulation
7	02-5029-01	Ice chute
8	02-5028-02	Flap with magnet
9	02-4381-01	Water inlet fitting, barbed
10	13-0617-04	O-ring
11	02-4381-02	Spout
12	02-5036-03	Insulation
13	02-5027-01	Water distributor / spray bar
14	02-4381-03	Clip

Service Parts List for Models UC2024 and UC2724

Water Pump, Valve and Tubes

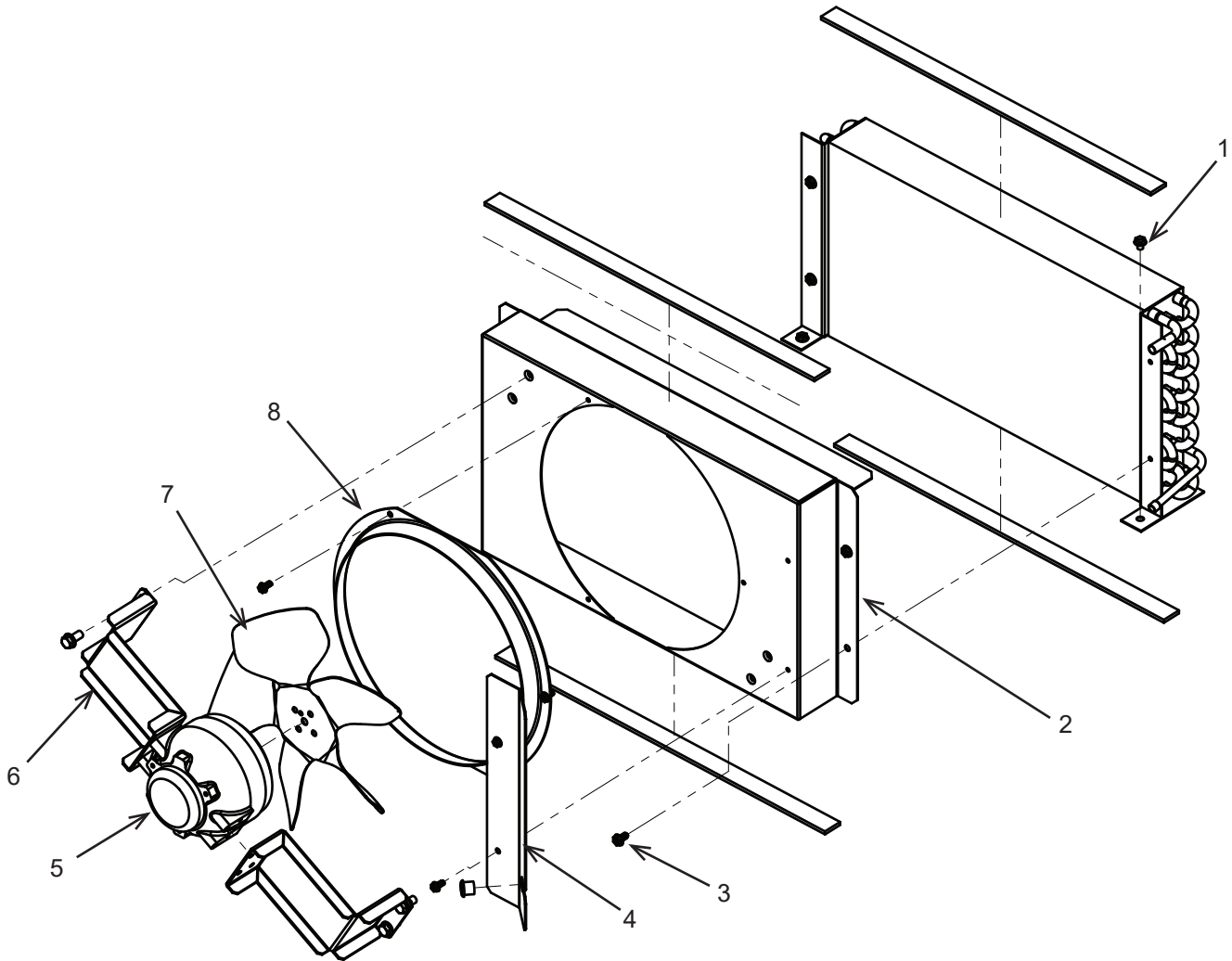


Note: If a length is listed it is for the application, the actual part may be sold in longer lengths

Item	Part Number	Description
1	13-0097-00	Insulation, 18 inches
2	11-0606-02	Thermistor set, place end with blue wires here
3	03-3943-01	Screw
4	02-5035-01	Pump outlet tube
5	13-0227-00	Insulation, 4 inches
6	12-3122-21	Water pump, 115 volt
	12-3122-26	Water pump, 230 volt for 50 Hz
6a	02-2814-11	Hose clamp, pump inlet
7	02-4979-01	Pump grommet
8	02-5032-01	Pump housing
9	12-1213-13	Snap bushing
10	A40583-002	Base pan top
11	02-2814-08	Hose clamp
12	03-1531-01	Screw, metric M4 for 50 Hz water valve
13	13-1213-02	Barbed adapter
14	13-0674-06	Drain tubing, 38 inches
	13-0227-00	Insulation, 38 inches
15	13-0840-01	Plug
16	02-4992-01	Rail
17	03-0727-05	Thumb screw
18	02-5033-01	Bin drain tube
19	02-2814-02	Hose clamp
20	12-1213-15	Snap bushing
21	13-0674-02	Water inlet hose, 4 inches for 60 Hz models
	15-0821-01	Water inlet hose, 102 mm for 50 Hz models
22	02-5030-01	Air break
23	02-2814-06	Hose clamp
24	13-0674-02	Water inlet hose, 24 inches for 60 Hz models
	15-0821-01	Water inlet hose, 610 mm for 50 Hz models
25	02-1912-04	Hose clamp
26	12-3124-01	Inlet water valve, 115 volt
27	11-0568-02	Inlet water valve, 230/50
28	A40933-001	Sump stand
29	02-5034-01	Pump inlet hose
30	02-3112-01	Wire mount

Service Parts List for Models UC2024 and UC2724

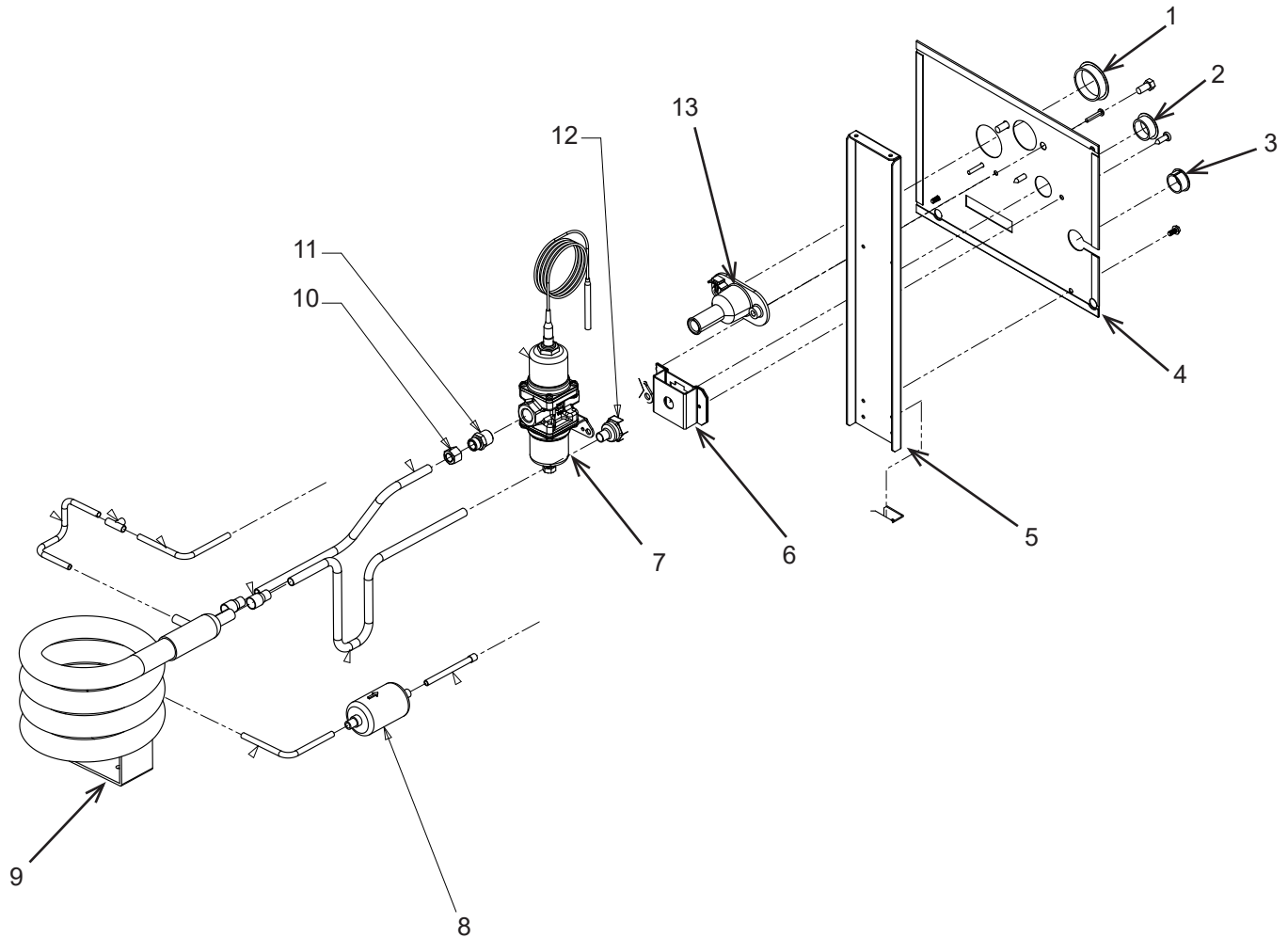
Fan and Fan Blade



Item	Part Number	Description
1	03-3963-02	Screw
2	A40971-001	Shroud
3	03-3943-02	Screw
4	A40750-001	Baffle
5	18-8899-02	Fan motor, 115 volt
	19-8899-06	Fan motor, 230 volt
6	A41098-001	Fan motor bracket
7	18-8998-01	Fan blade
8	02-5123-01	Venturi

Service Parts List for Models UC2024 and UC2724

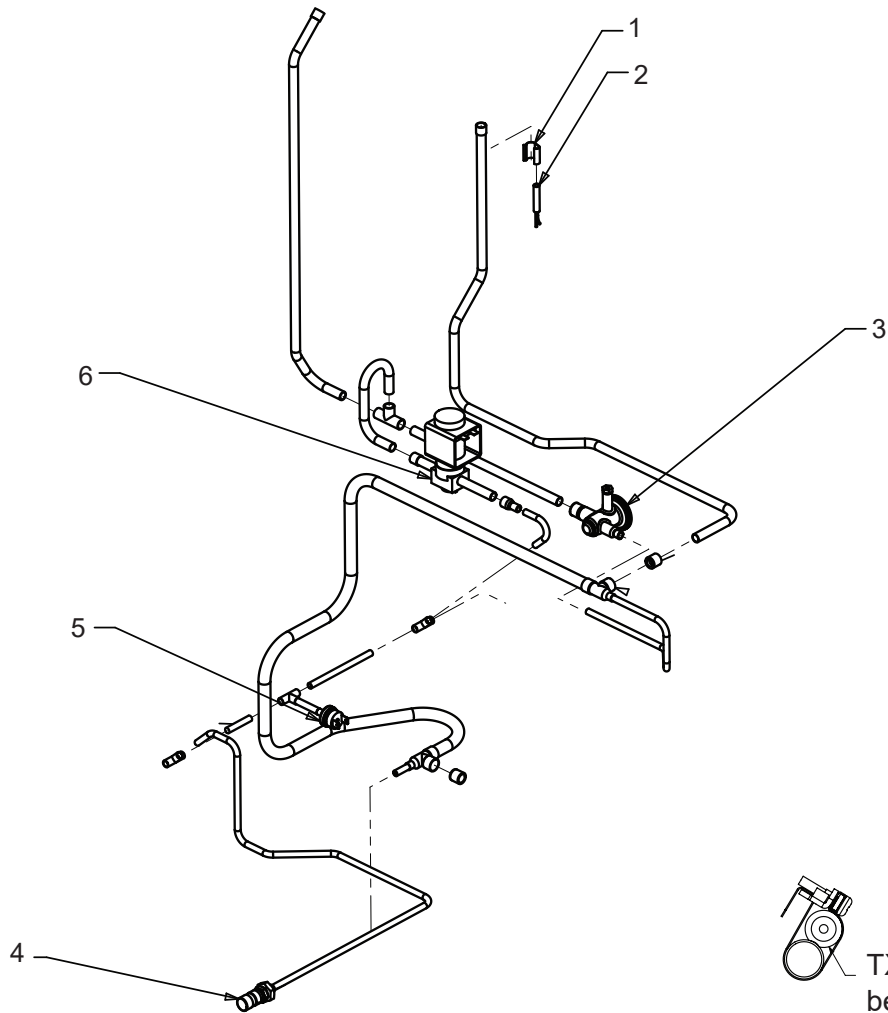
Water Cooled Parts



Item	Part Number	Description
1	02-1875-25	Snap bushing, AC
2	02-1875-21	Snap bushing, AC
3	12-1213-10	Snap bushing
4	A40587-001	Utility panel
5	A40586-001	Bracket
6	A39550-002	Bracket for drain fitting
7	11-0608-02	Water reg valve, 135 PSIG
8	02-3319-01	Drier
9	18-8839-01	Water cooled condenser
10	16-1217-01	Ferrule
11	16-1215-01	Fitting
12	16-1154-02	Water drain fitting
13	02-3692-21	Drain fitting

Service Parts List for Models UC2024 and UC2724

Refrigeration

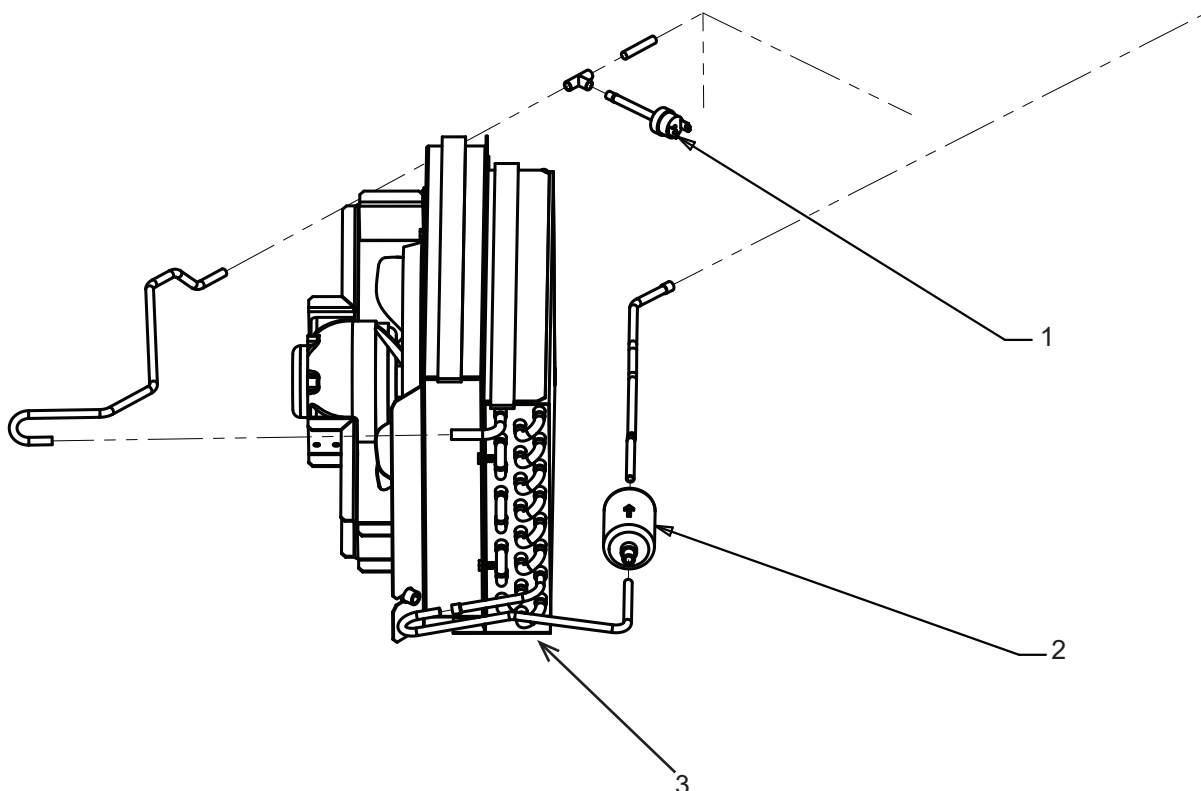


TXV Bulb, locate between 9 and 11 or 1 and 3.
Insulate properly

Item	Part Number	Description
1	03-1733-01	Clip
2	11-0606-02	Thermistor, black wires end connects here, wires down
3	16-1244-01	TXV, UC2024
	16-1244-02	TXV, UC2724
	19-0599-06	Insulation wrap
4	16-1138-01	Valve body
	16-1139-01	Valve core
	16-1140-01	Valve cap
5	11-0501-01	High pressure cut out, 400 PSIG
6	11-0493-01	Hot gas valve, 115 volt
	11-0493-02	Hot gas valve, 230 volt

Service Parts List for Models UC2024 and UC2724

Air Cooled Refrigeration

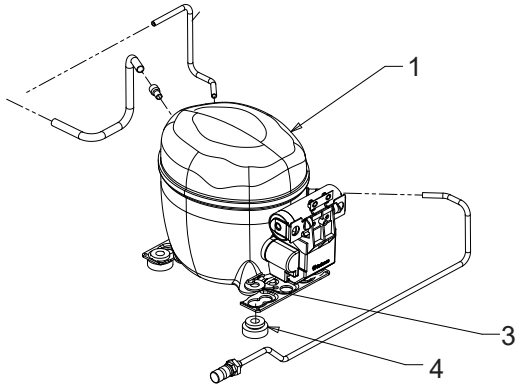


Item	Part Number	Description
1	11-0566-03	Fan pressure switch
2	02-3319-01	Dryer
3	18-8942-01	Air cooled condenser

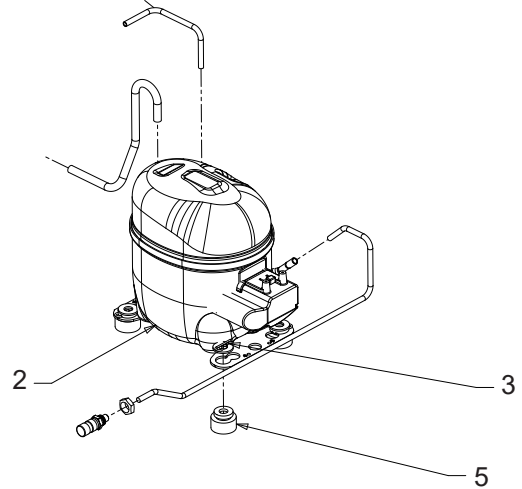
Service Parts List for Models UC2024 and UC2724

Compressors

UC2024 Compressor



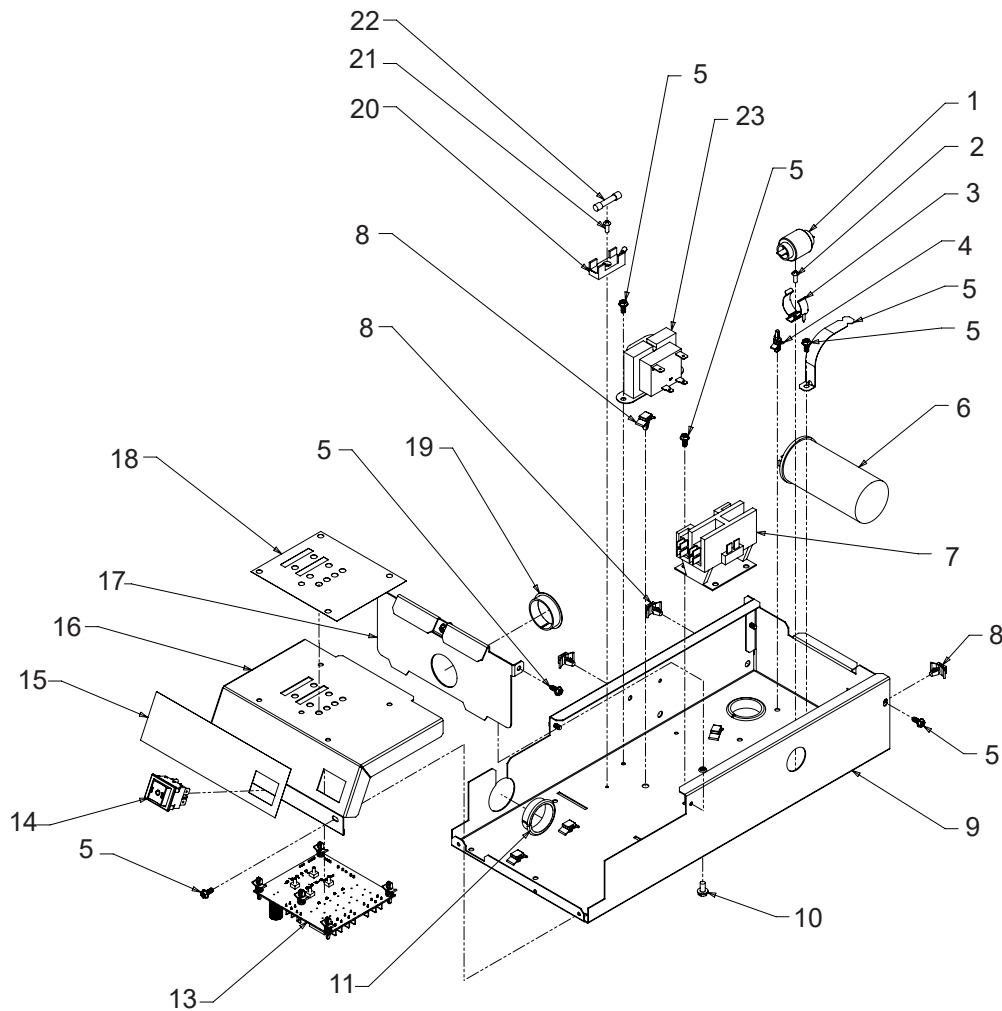
UC2724 Compressor



Item	Part Number	Description
1	18-8957-21	Compressor kit, 115 volt for UC2024 Includes starting components
1a	18-8957-61	Relay
1b	18-8957-62	Start capacitor
1c	18-8957-63	Overload
2	18-8979-21	Compressor kit, 115 volt for UC2724 115 volt 60 Hz Kit includes starting components and dryer
	18-8979-26	Compressor kit, 230 volt for UC2724 230 volt, 50 Hz Kit includes starting components and dryer
See page 11 for starting component numbers		
	18-8979-41	Overload for 115 volt, 60 Hz
	18-8979-51	Overload for 230 volt, 50 Hz
3	03-1407-08	Flat washer
	03-3821-01	Hitch pin
4	18-8964-01	Grommet, UC2024
5	18-4700-28	Grommet, UC2724

Service Parts List for Models UC2024 and UC2724

Controller, Transformer and Harnesses



Item	Part Number	Description
1	18-8835-01	PTCR for UC2724
2	03-1638-06	Screw
3	18-8835-02	Bracket
4	03-1727-02	Standoff
5	A37651-001	Strap
6	18-1902-69	Capacitor, run for 115 volt UC2724
	18-1902-72	Capacitor, run for 230/50 UC2724-6
7	12-2469-03	Contactor, for 115 volt
	12-2469-02	Contactor, for 230 volt, 50 Hz
8	02-1798-00	Cable tie wire mounting
9	A40615-001	Control box, metal box only
10	0681187	Ground screw
11	12-1213-20	Snap bushing
13	11-0636-21	Controller
14	12-3062-01	Master switch (On/Off/Wash)
15	17-3685-01	Label, 60 Hz
	17-3685-06	Label, 50 Hz
16	A40934-001	Box cover
17	A40618-002	Barrier
18	17-3685-41	Overlay, 60 Hz
	17-3685-46	Overlay, 50 Hz
19	12-1213-20	Snap bushing
20	12-2687-01	Fuse block
21	03-1638-06	Screw
22	12-2686-02	Fuse
23	12-2924-01	Transformer, 115 x 12
	12-2924-03	Transformer, 230 x 12
Harnesses - Not shown		
1NS	12-3147-01	Main wire harness
2NS	12-3146-01	Compressor harness, UC2024
3NS	12-3144-01	Compressor harness, UC2724