



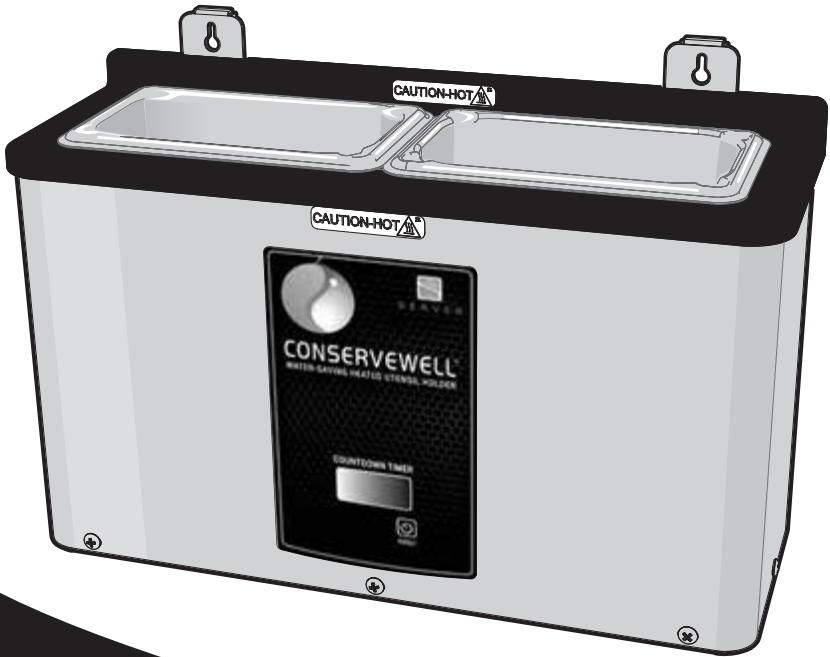
S E R V E R

SERVE BETTER™

**ConserveWell™**  
**WITH COUNTDOWN TIMER**

MODEL: CW-T

120V USA  
**87773**



***Thank You***

...for purchasing our ConserveWell™ Heated Utensil Holder. This unit holds serving utensils above 140°F, keeping them safe while saving water, energy and money. Countdown timer ensures scheduled change-outs.

SAVE WATER. SAVE MONEY.

# QUICK START

## YOU WILL NEED:

- Screwdriver
- Appropriate fasteners

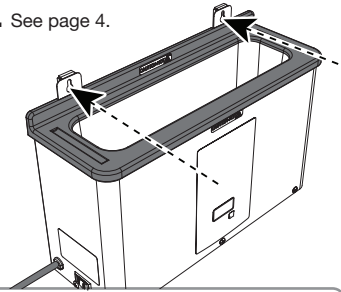


## PRACTICE SAFETY.

**WASH ALL PARTS PROPERLY BEFORE USE.** See page 4.

### 1 INSTALL UNIT

Select wall location or sturdy vertical surface for mounting.  
Determine proper mounting hardware you will need to supply.  
Locate mounting holes approximately 10-5/8" apart.  
Key slot mounting brackets make removal easy.

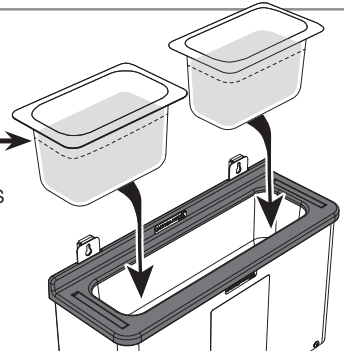


### 2 INSERT WATER PANS

Fill each pan with approximately 3/4 quart of HOT water.  
See page 5 for water temperatures.  
Insert both pans of water into basin.

**Pour water into pans only.**

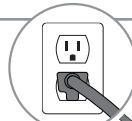
**YES** →  
Proper water levels in PANS



**NO**  
Never pour water directly into BASIN



### 3 PLUG CORD INTO POWER SOURCE

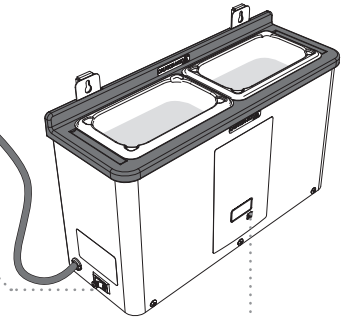


### 4 TURN UNIT ON



### 5 PRESS RESET TO START

countdown cycle.  
Timer is factory programmed for 2 hour cycles.

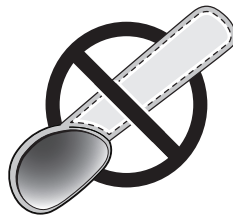


**ONLY USE WITH UTENSILS SAFE IN HIGH TEMPERATURES**



**CAUTION-  
BURNS MAY RESULT**

*Do not use liquid or gel-filled utensils.  
Handles become extremely hot.*



## WHEN COUNTDOWN TIMER ENDS:

*Alarm will beep.*

*Display will indicate "END"*



**1 PRESS RESET TO STOP ALARM**

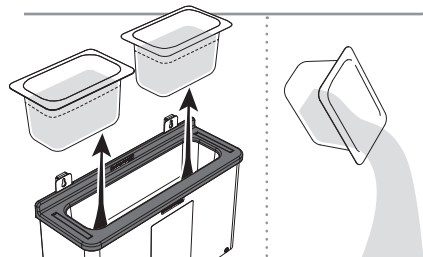


**2 REMOVE & EMPTY PANS OF WATER**



**CAUTION- HOT**  
Unit, pans and water will be hot.

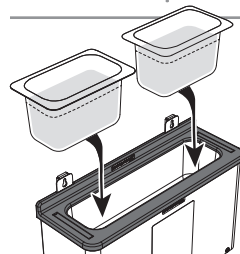
Take proper care while removing pans.  
Carefully pour water down a drain.



**3 REFILL & RETURN WATER PANS TO BASIN**

Fill each pan with approximately  
3/4 quart of new HOT water.  
Insert both pans of water into basin.

**Never pour water  
directly into basin of unit.  
Pour water into pans only.**



**4 PRESS RESET BUTTON**

to restart the countdown cycle.



## RESETTING COUNTDOWN TIMER

*To replace water before countdown cycle completes:*

**PRESS RESET BUTTON** to stop the timer.



**CHANGE OUT WATER** (See steps 2 & 3 above.)

**PRESS RESET BUTTON** again to restart timer cycle.



# UNIT TAKE-DOWN



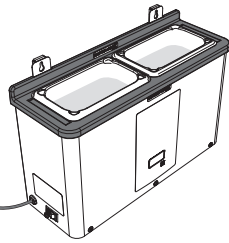
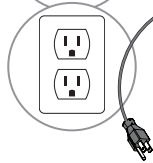
## CAUTION- HOT

Allow unit to cool first or take proper care with hot surfaces.

**1 PRESS SWITCH TO OFF**

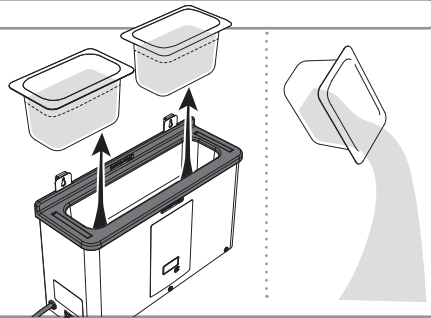


**2 UNPLUG CORD**



**3 REMOVE PANS FROM BASIN**

Pour water down a drain.



# CLEANING



## WARNING-

**ELECTRICAL SHOCK COULD OCCUR**

- Electrical components of unit could be damaged from water exposure or any liquid.
- Never immerse unit into water or any liquid.
- Never use any water jet or pressure sprayer on unit.
- Ensure unit is "OFF" and unplugged.



## CAUTION- HOT

Allow unit to cool before cleaning.

**YES!**

**Use dishwashing soap and hot water**



**1 CLEAN**

Wash water pans with soap and hot water.

**2 RINSE**

fully with clear water.

**3 SANITIZE**

all parts according to local sanitization requirements. All parts in contact with food must be sanitized.

**4 AIR DRY**

all parts fully.

# SAFETY



## WARNING-

### ELECTRICAL SHOCK COULD OCCUR

This unit must be earthed or grounded.

This requires all three prongs (terminals) on cord plug to be plugged into power source.

## IMPORTANT TO KNOW

Certain ice cream scoops and spades contain heat-conductive fluid inside handles.



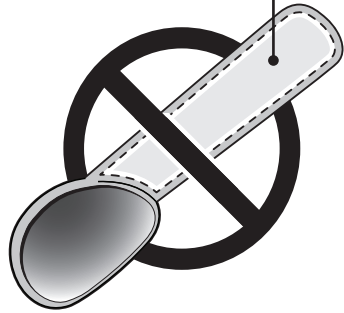
## CAUTION-

### BURNS MAY RESULT

Do not use liquid or gel-filled utensils.

Handles become extremely hot.

Only use ConserveWell™ with utensils safe at high temperatures.



## BE AWARE OF THE WATER TEMPERATURE

Help prevent bacteria growth. The FDA warns that bacteria grow most rapidly in the range of temperatures between 41°F–135°F. (5°C–57°C.)

### WATER HEATING TIMES (When unit is *not* pre-heated)

INITIAL WATER TEMP.	TARGET TEMPERATURE		
	135°F	140°F	145°F
70°F	50 min.	60 min.	77 min.
110°F	30 min.	38 min.	50 min.
120°F	21 min.	30 min.	41 min.
130°F	12 min.	20 min.	32 min.

### WATER HEATING TIMES (In pre-heated unit)

INITIAL WATER TEMP.	TARGET TEMPERATURE		
	135°F	140°F	145°F
70°F	49 min.	60 min.	86 min.
110°F	21 min.	29 min.	45 min.
120°F	15 min.	26 min.	45 min.
130°F	3 min.	12 min.	24 min.

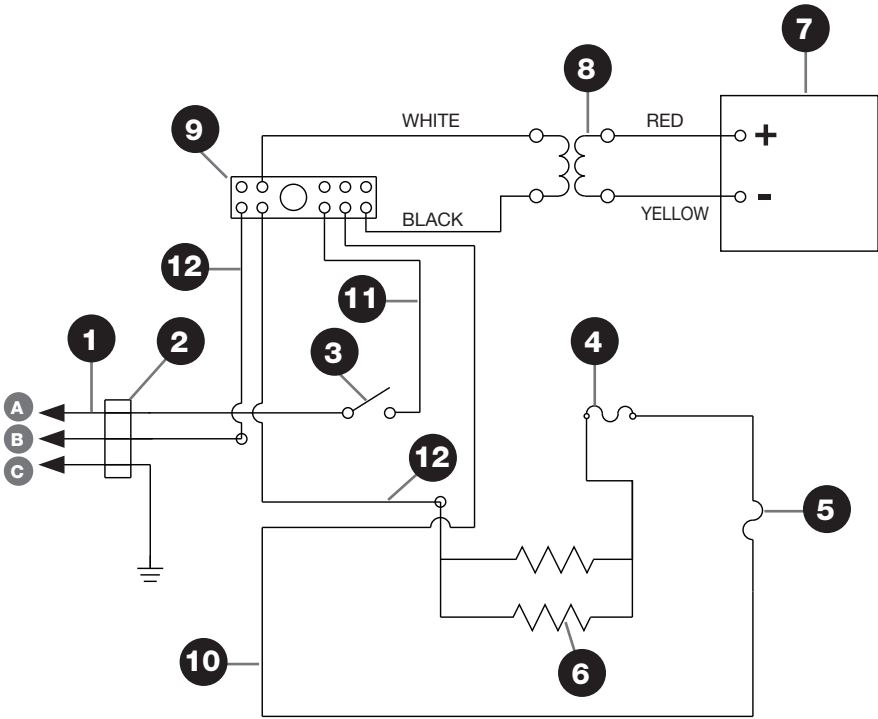


NSF International listed.  
This unit is not to be used for serving food.



UL US LISTED

# WIRING DIAGRAM



- |   |   |
|---|---|
| <p><b>1</b> Cord Assembly<br/>120V/60Hz</p> <p><b>A</b> Black</p> <p><b>B</b> White</p> <p><b>C</b> Green</p>                 | <p><b>6</b> Element Assembly</p> <p><b>7</b> Timer Board</p> <p><b>8</b> Transformer Assembly</p>                                     |
| <p><b>2</b> Bushing/Strain Relief</p> <p><b>3</b> Rocker Switch</p> <p><b>4</b> Thermal Cutout</p> <p><b>5</b> Thermostat</p> | <p><b>9</b> Terminal Block</p> <p><b>10</b> 7" Wire Assembly</p> <p><b>11</b> 12" Wire Assembly</p> <p><b>12</b> 7" Wire Assembly</p> |

# CARE OF STAINLESS STEEL

The water pans and exterior of this unit are constructed of stainless steel.

If you notice corrosion beginning on any stainless steel surface, you may need to change the cleansing agent, sanitizing agent, or the cleaning procedures you are using.

- A mildly abrasive nylon or brass brush may be used to remove any stubborn deposits on interior surfaces of unit.

- Fully rinsing and drying all parts can help prevent corrosion. Elements and minerals in tap water can accumulate on stainless steel parts and create corrosion.
- Do not use abrasive, caustic or ammonia based cleansers.
- Do not use products containing acids, alkalines, chlorine, or salt. These agents can corrode stainless steel.
- Do not use metal scrapers or cleaning pads that could scratch surfaces.

## SERVER PRODUCTS LIMITED WARRANTY

**2**  
YEAR  
WARRANTY



Server Products equipment is backed by a two-year limited warranty against defects in materials and workmanship.

For complete warranty information go to:

[www.Server-Products.com](http://www.Server-Products.com)

## GENERAL SERVICE, REPAIR OR RETURNS

Before sending any item to Server Products for service, repair, or return, contact Server Products customer service to request a **Return Authorization Number**. Merchandise must be sent to Server Products with this number. Service is extremely prompt. Typically, units are repaired and ship out within 48 hours.

Merchandise being returned for credit must be in new and unused condition and not more than 90 days old and will be subject to a 20% restocking charge. Electrical parts (thermostats, heating elements, etc.) are not returnable.

**Servicing Cord:** Specific tools are required for safe and proper power supply cord removal and installation. If cord must be replaced, only a representative of the OEM (original equipment manufacturer) or a qualified technician may replace cord. Cord must meet code designation H05 RN-F requirements.

## TROUBLESHOOTING

### UNIT DOES NOT HEAT?

- Ensure cord is securely plugged in.
- Ensure power is available from source.
- Ensure unit is on.

### UNIT OVERHEATING?

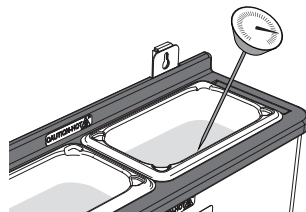
- Ensure water has not spilled or leaked from pans into the basin.

**CAUTION:**  
**WATER IN BASIN MAY STEAM & BURN.**

- Allow unit to cool. Pour out any water and dry basin.

### WATER NOT REACHING 140° F?

- Make sure to use HOT water in pans. Refer to temperature charts on page 5.
- Damaged pans may not heat properly. Inspect and replace pans if needed.



# CONSERVEWELL™ WITH TIMER

MODEL: CW-T

1/9 SIZE PAN  
90106

TOP  
87731

VESSEL  
87736

200W HEATING  
ELEMENT  
87733

TERMINAL BLOCK  
86189

THERMOSTAT  
88671

CABLE CLAMP  
86301

THERMAL ASSEMBLY CUT-OUT  
87743

STRAIN RELIEF  
BUSHING  
11657

ROCKER SWITCH  
04544

## HELP or ORDERING REPLACEMENT PARTS

### Server Products Inc.

3601 Pleasant Hill Road  
Richfield, WI 53076 USA



262.628.5600 | 800.558.8722



SPSALES@SERVER-PRODUCTS.COM

Please be prepared with your **Series Number** and **Description** located on the side of the unit.

Individual **Part Numbers** listed above.