



S E R V E R

SERVE BETTER™

Food Server FS-4 PLUS

120V USA

COMPLETE UNIT 81000

BASE ONLY 80970

230V CONTINENTAL EUROPE

COMPLETE UNIT 81010

BASE ONLY 80980

230V AUSTRALIA

COMPLETE UNIT 82420

BASE ONLY 80990

230V UNITED KINGDOM

COMPLETE UNIT 84540

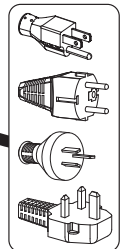
BASE ONLY 84500



Thank You

...for purchasing our 4-Quart Food Warmer to keep your soup, chili, gravy or sauce at the perfect temperature from the first serving to the last.

QUICKLY HEAT TO SAFE SERVING TEMPERATURE



UNIT SET-UP

WASH ALL PARTS PROPERLY BEFORE EVERY USE. See page 5.

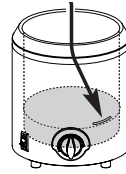
1 FILL WATER VESSEL BASIN

- Fill 2.5 cups (20 oz) of water up to water level line inside basin.
- Do not overfill.



2.5 Cups Water = 0.59 Liter

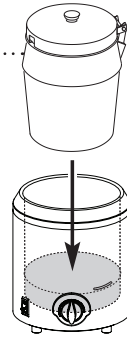
TIP: Check water levels throughout the holding period to ensure even heating. Filtered water is recommended to deter corrosion.



2 PUT INSET INTO WATER VESSEL BASIN

- Product being served must always be inside inset.
- Never place food directly into water vessel basin of unit.**

TIP: Simplify change-outs with an additional inset and lid. Order item #81111.

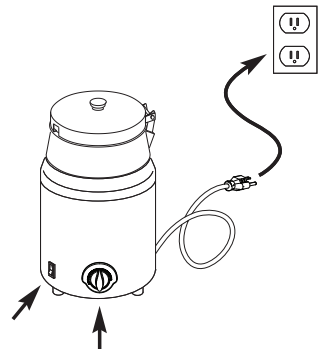


3 PLUG CORD into power source.

4 PRESS SWITCH to the "ON" position.

5 SET THERMOSTAT KNOB

- to recommended serving temperature.
- Pull knob out to turn and adjust.
- Push knob in to lock.
- Dial indicator uses increments of 5° F.
- Thermostat range is 75°—210° F. (24°—99° C)
- To heat unit faster, thermostat may TEMPORARILY be rotated to maximum.



SAFETY



WARNING- **ELECTRICAL SHOCK COULD OCCUR**

This unit must be earthed or grounded.

This requires all three prongs (terminals) on cord plug to be plugged into power source.



(208-240V)

According to food and safety regulations, most foods must be stored and/or served at certain temperatures or they could become hazardous. Check with local food and safety regulators for specific guidelines.

Be aware of the product you are serving and the temperature the product is required to maintain. Server Products, Inc. can not be responsible for the serving of potentially hazardous product.

RE THERMALIZATION

Rethermalization of food products is achieved by this appliance when it elevates the food product temperature from a refrigerated 40°F (4°C) to a safe serving temperature of 165°F (74°C) within a period of 2 hours.

1 PRE-HEAT UNIT

for at least 5 minutes with:

- Correct amount of water in basin.
- Lid closed.
- Thermostat knob set at maximum setting.

2 ADD FOOD PRODUCT

- Put food into the inset.
- Maximum capacity of food product is 4 quarts (16 cups). Do not overfill.

3 MAINTAIN SAFE HOT FOOD HOLDING

- After food reaches safe serving temperature of 165°F (74°C), maintain product temperature at or above 150°F (66°C).
- Adjust controller if needed to avoid overheating food.

HOT FOOD HOLDING

Hot Food Holding is achieved with this appliance when it maintains a food product temperature at or above 150°F (66°C), in all locations throughout the product, for a minimum of 2 hours, even if any lid, cover, or pump is removed. The lid, cover, or pump is recommended to help maintain product temperature.

1 PRE-HEAT UNIT

for at least 5 minutes with:

- Correct amount of water in basin.
- Lid closed.
- Thermostat knob set at maximum setting.

2 ADD FOOD PRODUCT

- Put food which has already been preheated to 150°F (66°C) into the inset.
- Maximum capacity of food product is 4 quarts (16 cups). Do not overfill.

MONITOR FOOD CLOSELY FOR FOOD SAFETY.

The United States Public Health Service recommends that hot food be held at a minimum of 140°F (60°C) to help prevent bacteria growth.

COLD FOOD IS NOT TO BE ADDED TO THE UNIT FOR RETHERMALIZATION WHILE HOT FOOD IS BEING HELD.



NSF International and ANSI (American National Standards Institute) list this unit as a "Rethermalization and Hot Food Holding unit (Standard 4)."

UNIT TAKE-DOWN

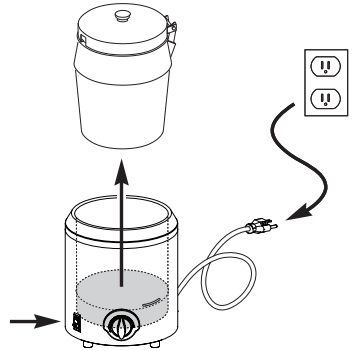
1 PRESS SWITCH to the “OFF” position.

2 UNPLUG CORD



CAUTION- HOT
Allow unit to cool before continuing.

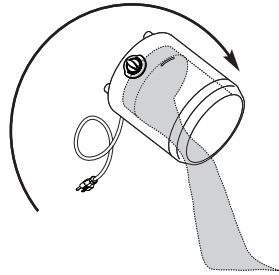
3 REMOVE INSET FROM WATER VESSEL BASIN



4 EMPTY WATER FROM WATER VESSEL BASIN
after each use.

TIP: Remember to **empty** the water each day rather than **add**—

This will greatly extend the life of your warmer.



5 DRY
thoroughly with a soft dry cloth.

Proper drying after each use helps maintain the stainless steel.

CLEANING



WARNING- ELECTRICAL SHOCK COULD OCCUR

- Electrical components of unit could be damaged from water exposure or any liquid.
- Never immerse unit into water or any liquid.
- Never use any water jet or pressure sprayer on unit.
- Ensure unit is “OFF” and unplugged.

CAUTION- HOT

Allow unit to cool before cleaning.



1 CLEAN VESSEL, INSET & LID

- Before first use and after use daily, disassemble and clean unit.
- Ensure unit is “OFF” and unplugged.
- Wash with dishwashing soap and hot water.

2 RINSE fully with clear water.

3 SANITIZE all parts according to local sanitization requirements. All parts in contact with food must be sanitized.

4 DRY all parts fully with a clean soft cloth.

5 CLEAN EXTERNAL SURFACES

- Wipe daily with a clean damp cloth.
- Dry with a clean soft cloth.
- Glass and surface cleaners approved for use in food contact areas may be used.

CARE OF STAINLESS STEEL

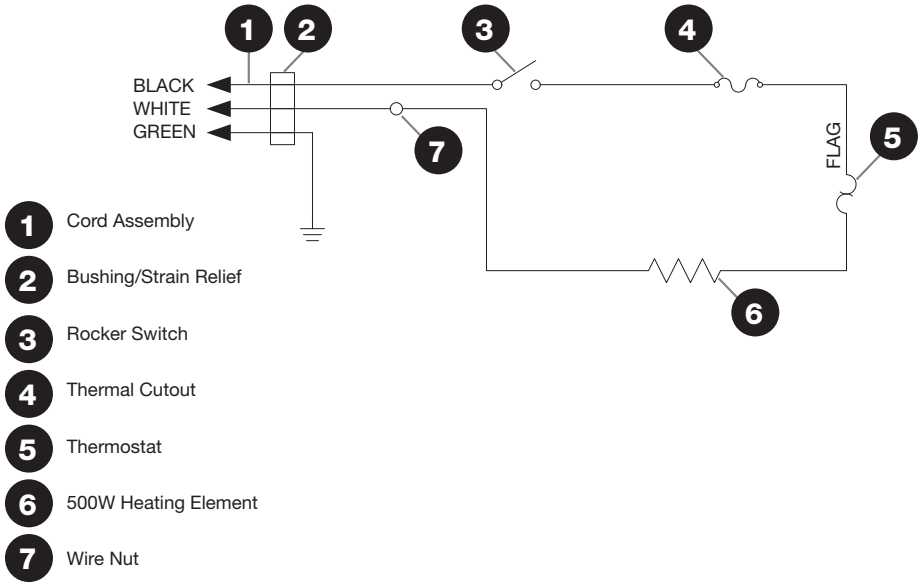
This warmer, water vessel and food inset with lid are constructed of stainless steel — one of the best materials for food serving and storage.

If you notice corrosion beginning on any stainless steel surface, you may need to change the cleansing agent, sanitizing agent, or the cleaning procedures you are using.

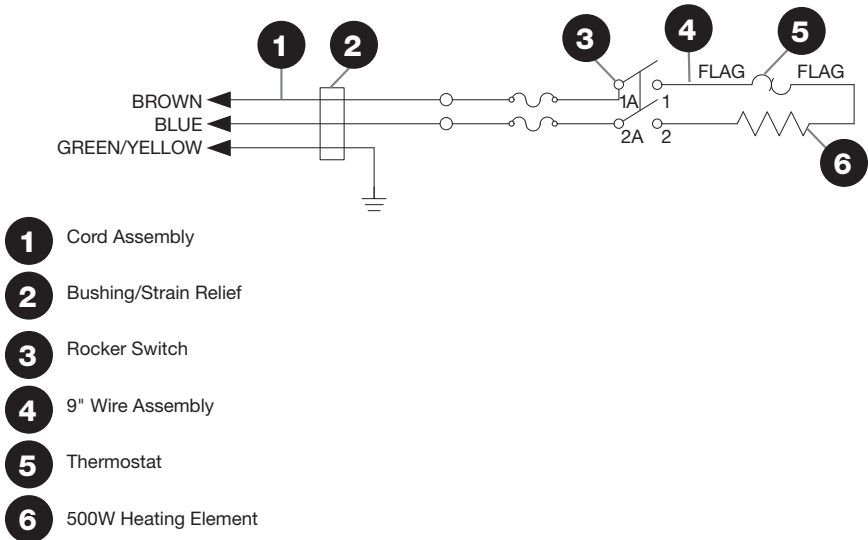
- A mildly abrasive nylon or brass brush may be used to remove any stubborn food or mineral deposits on interior surfaces of unit.
- Fully rinsing and drying all parts can help prevent corrosion. Elements and minerals in tap water can accumulate on stainless steel parts and create corrosion.
- Do not use abrasive, caustic or ammonia based cleansers.
- Do not use products containing acids, alkalines, chlorine, or salt. These agents can corrode stainless steel.
- Do not use metal scrapers or cleaning pads that could scratch surfaces.

WIRING

UNIT 81000 | 120V | USA



UNIT 81010 | 230V | CONT. EUROPE, AU, UK



ACCESSORY ITEMS

DID YOU KNOW?

This warmer can be retrofit to another dispensing method, so you can also heat (3) squeeze bottles, pump precise portions or ladle from a 3-quart jar or #10 can.

SQUEEZE BOTTLE SIGNATURE TOUCH

Bottle Inset & (3) 16 oz Bottles	PART 86819
High-Density Squeeze Bottles, 16 oz	86809



PORTION CONTROLLED DISPENSING

Stainless Steel Pump, 1 oz max	PART 81320
Stainless Steel Jar, 3 qt	94009
Storage Lid	94008
Jar or #10 Can Spacer (required)	82063



LIGHT LADLING

Stainless Steel 10" Ladle, 1 oz	PART 82561
Adapter Ring	82507
Lift-Off Lid	82509
Stainless Steel Jar, 3 qt	94009
Storage Lid	94008
Jar or #10 Can Spacer (required)	82063



WANT ASSISTANCE?

Contact our customer service team at 800.558.8722 or spsales@server-products.com

TROUBLESHOOTING

UNIT DOES NOT HEAT?

- Ensure cord is securely plugged in.
- Ensure power is available from source.
- Ensure unit is on.
- Ensure thermostat knob is set correctly.
- Ensure that the correct amount of water is in basin.

PREVENT PITTING ON INSIDE SURFACE OF VESSEL

- Empty water from water vessel basin each day.
- Thoroughly dry basin each day.
- If possible, use filtered water to fill vessel basin.



Please Visit

www.YouTube.com/user/ServerProducts

to see videos of more information.



SERVER PRODUCTS LIMITED WARRANTY

2 YEAR
WARRANTY



Server Products equipment is backed by a two-year limited warranty against defects in materials and workmanship.

For complete warranty information go to:

www.Server-Products.com

GENERAL SERVICE, REPAIR OR RETURNS

Before sending any item to Server Products for service, repair, or return, contact Server Products customer service to request a **Return Authorization Number**. Merchandise must be sent to Server Products with this number. Service is extremely prompt. Typically, units are repaired and ship out within 48 hours.

Merchandise being returned for credit must be in new and unused condition and not more than 90 days old and will be subject to a 20% restocking charge. Electrical parts (thermostats, heating elements, etc.) are not returnable.

Servicing Cord: Specific tools are required for safe and proper power supply cord removal and installation. If cord must be replaced, only a representative of the OEM (original equipment manufacturer) or a qualified technician may replace cord. Cord must meet code designation H05 RN-F requirements.

HELP or ORDERING REPLACEMENT PARTS

Server Products Inc.

3601 Pleasant Hill Road
Richfield, WI 53076 USA



262.628.5600 | 800.558.8722



SPSALES@SERVER-PRODUCTS.COM

Please be prepared with your **Model, Part and Series Numbers**. This information and other important data is located on the lid and/or base of the unit.