

- ∠ COMPONENT LEAD
- TERMINAL BLOCK CONNECTIONS
- WIRE NUMBERS

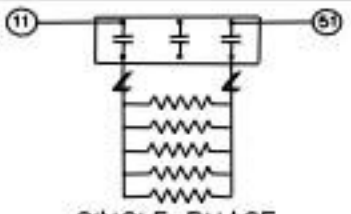
RVM 11-99

VOLTAGE	208		240		220	
PHASE	1	3	1	3	1	3
AMPERAGE	46	27	40	24	44	26



WIRING DIAGRAM  
208/220/240 V  
SEZ-3

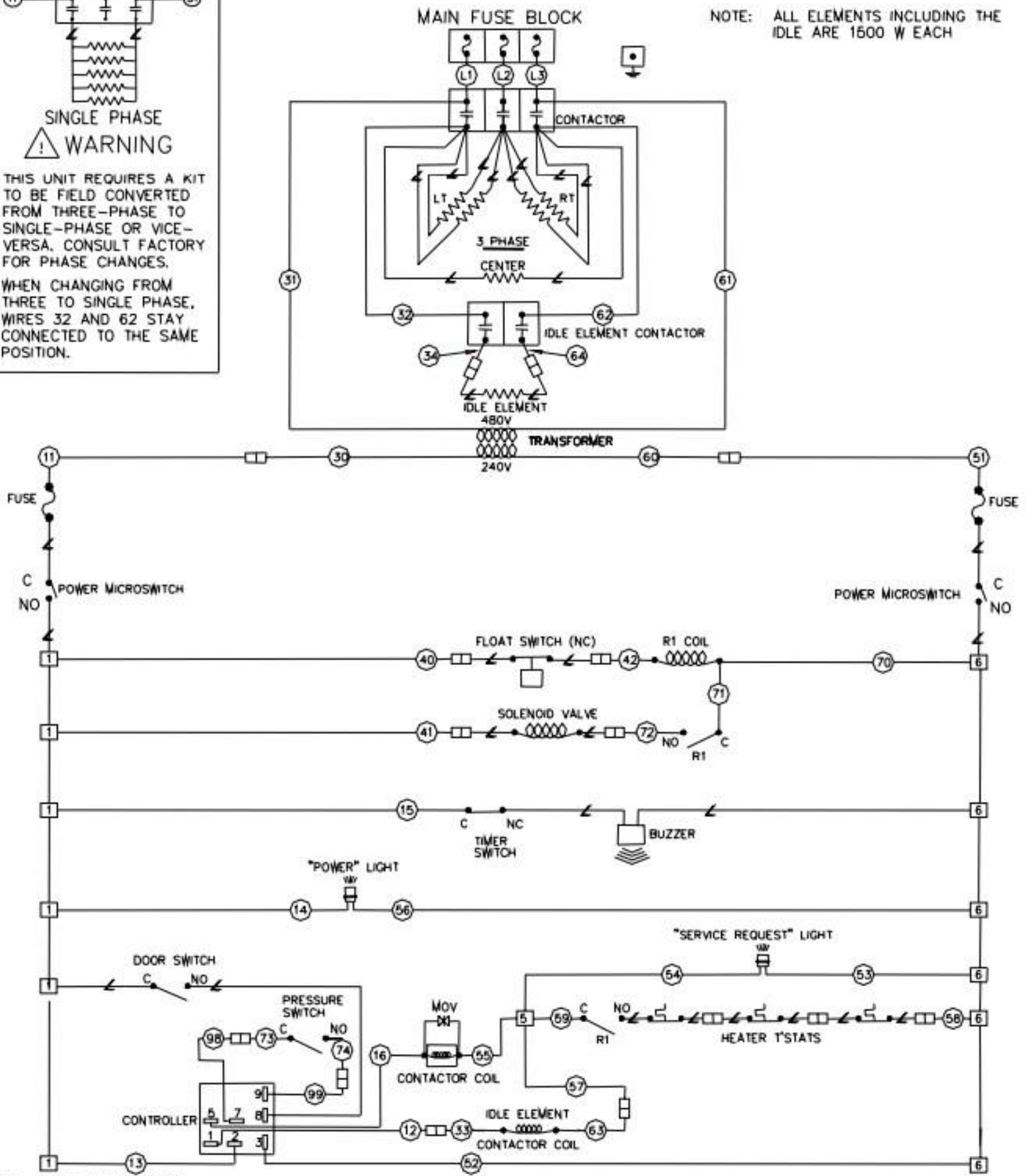
P/N  
1181575



**SINGLE PHASE WARNING**

THIS UNIT REQUIRES A KIT TO BE FIELD CONVERTED FROM THREE-PHASE TO SINGLE-PHASE OR VICE-VERSA. CONSULT FACTORY FOR PHASE CHANGES. WHEN CHANGING FROM THREE TO SINGLE PHASE, WIRES 32 AND 62 STAY CONNECTED TO THE SAME POSITION.

NOTE: ALL ELEMENTS INCLUDING THE IDLE ARE 1500 W EACH



- PLUG CONNECTION
- ∠ COMPONENT LEAD
- TERMINAL BLOCK CONNECTIONS
- WIRE NUMBERS

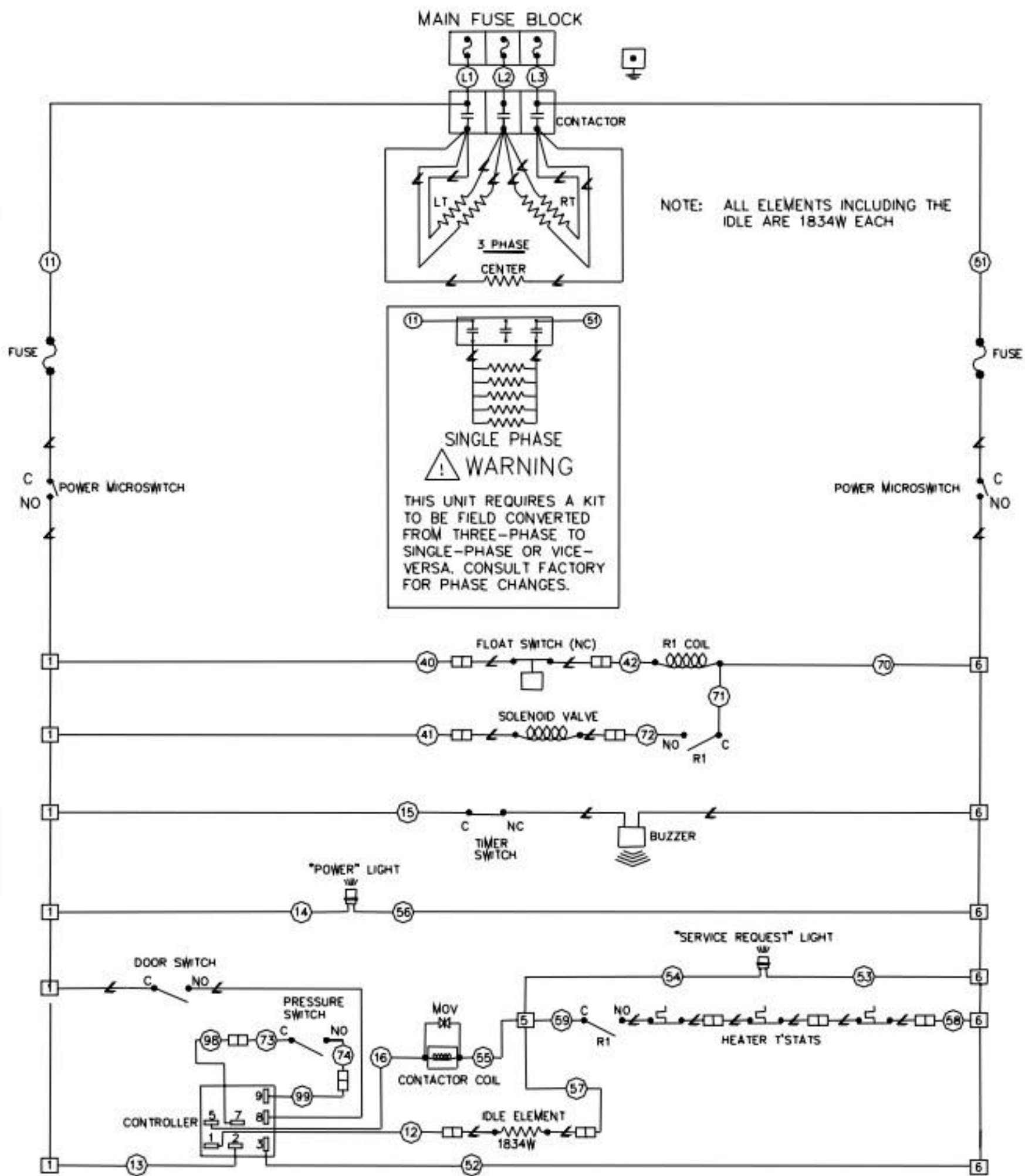
VOLTAGE	480	
PHASE	1	3
AMPERAGE	19	11

RVM 01-00



WIRING DIAGRAM  
480V  
SEZ-3

P/N  
1181576



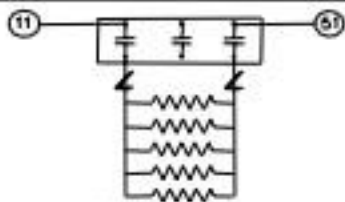
- ∠ COMPONENT LEAD
- TERMINAL BLOCK CONNECTIONS
- WIRE NUMBERS

VOLTAGE	208		240		220	
PHASE	1	3	1	3	1	3
AMPERAGE	57	33	49	29	54	31



WIRING DIAGRAM  
208/220/240 V  
SEZ-5

P/N  
1181754

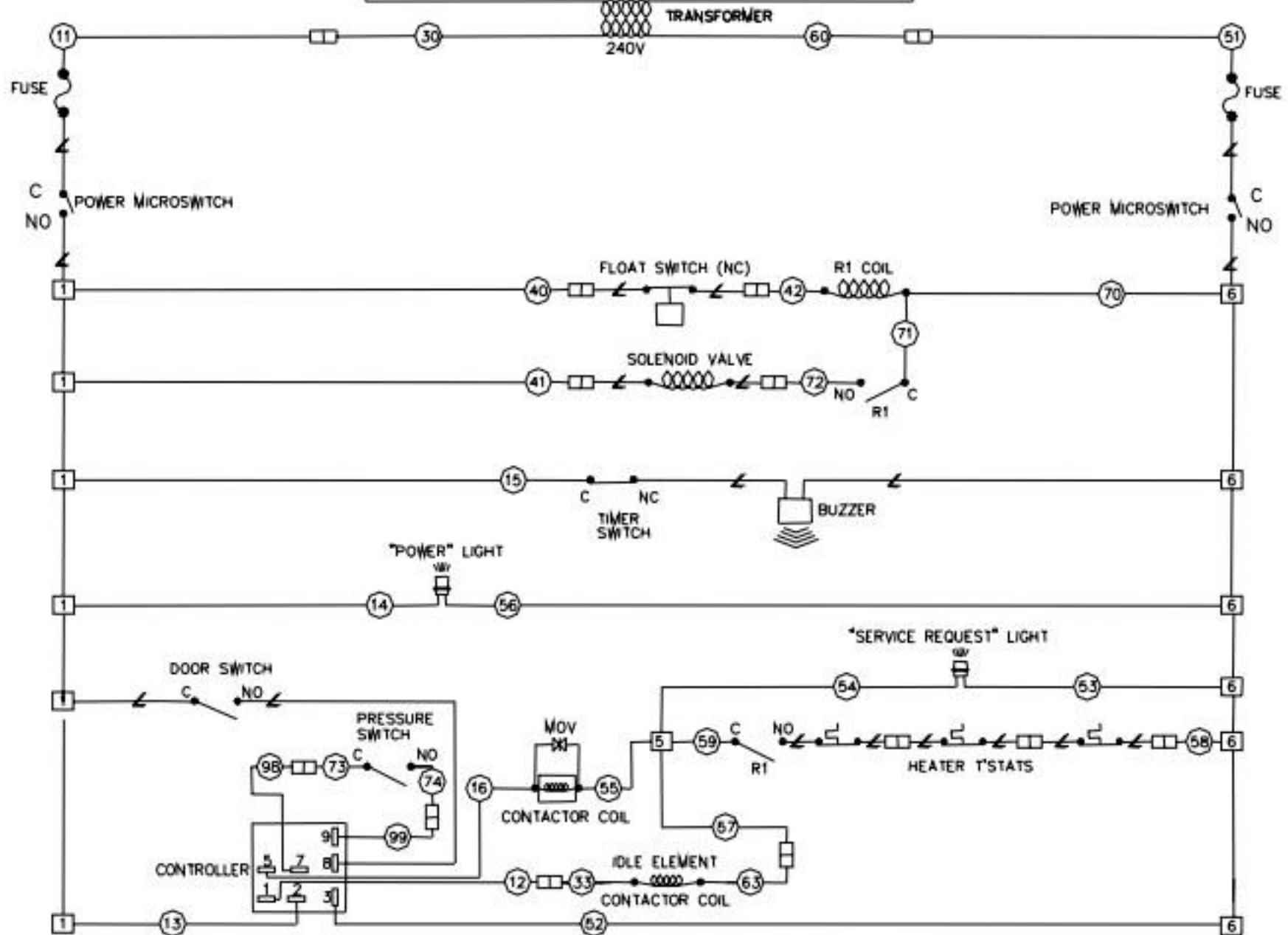
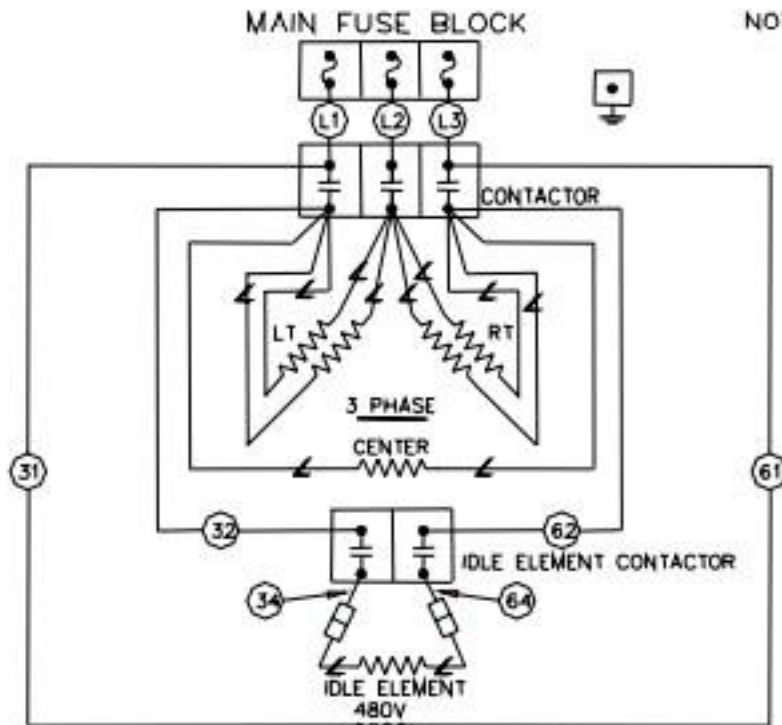


**SINGLE PHASE  
WARNING**

THIS UNIT REQUIRES A KIT TO BE FIELD CONVERTED FROM THREE-PHASE TO SINGLE-PHASE OR VICE-VERSA. CONSULT FACTORY FOR PHASE CHANGES.

WHEN CHANGING FROM THREE TO SINGLE PHASE, WIRES 32 AND 62 STAY CONNECTED TO THE SAME POSITION.

NOTE: ALL ELEMENTS INCLUDING THE IDLE ARE 1834W EACH



- PLUG CONNECTION
- ∠ COMPONENT LEAD
- TERMINAL BLOCK CONNECTIONS
- WIRE NUMBERS

VOLTAGE	480	
PHASE	1	3
AMPERAGE	25	15



WIRING DIAGRAM  
480V  
SEZ-5

P/N  
1181755