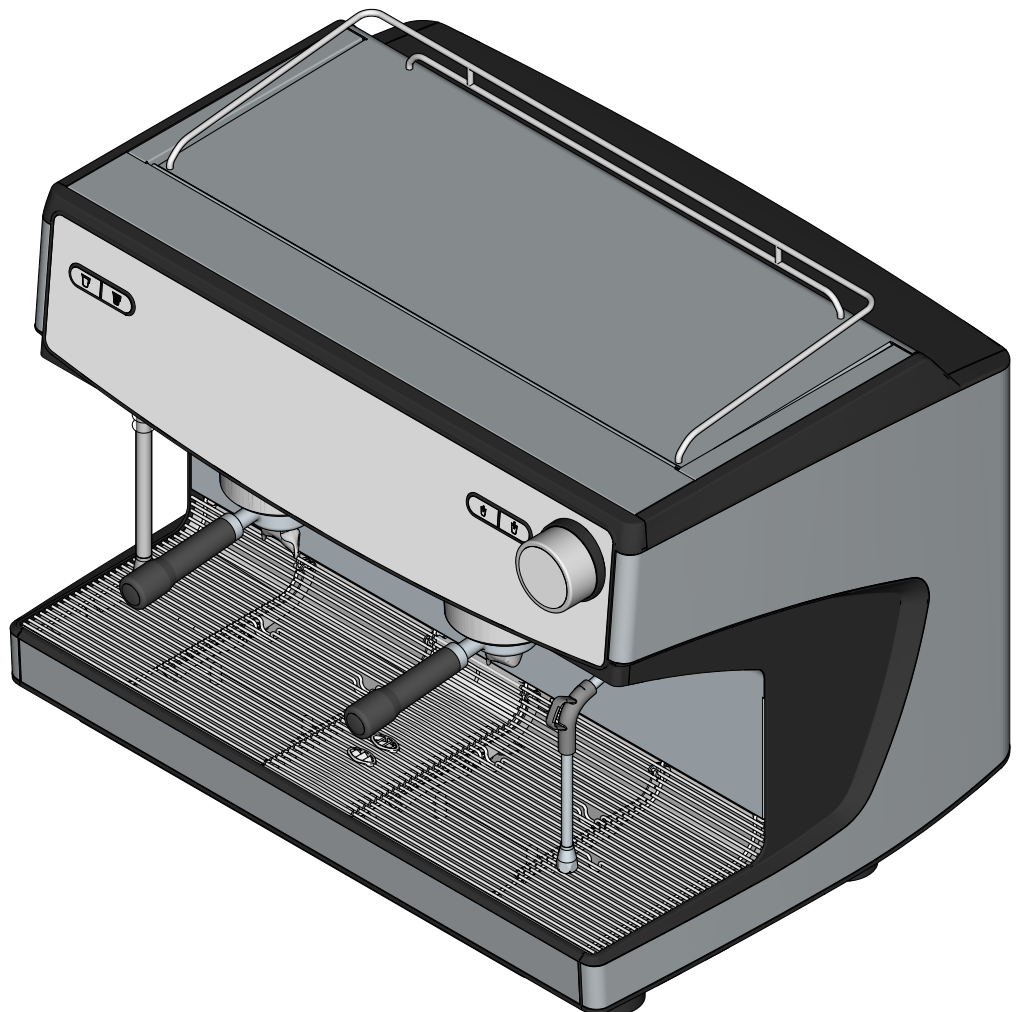


# Schaerer Barista

---

## Spare Parts Catalogue

07.04.2020



**Published by**

Schaerer Ltd.  
CH-4528 Zuchwil

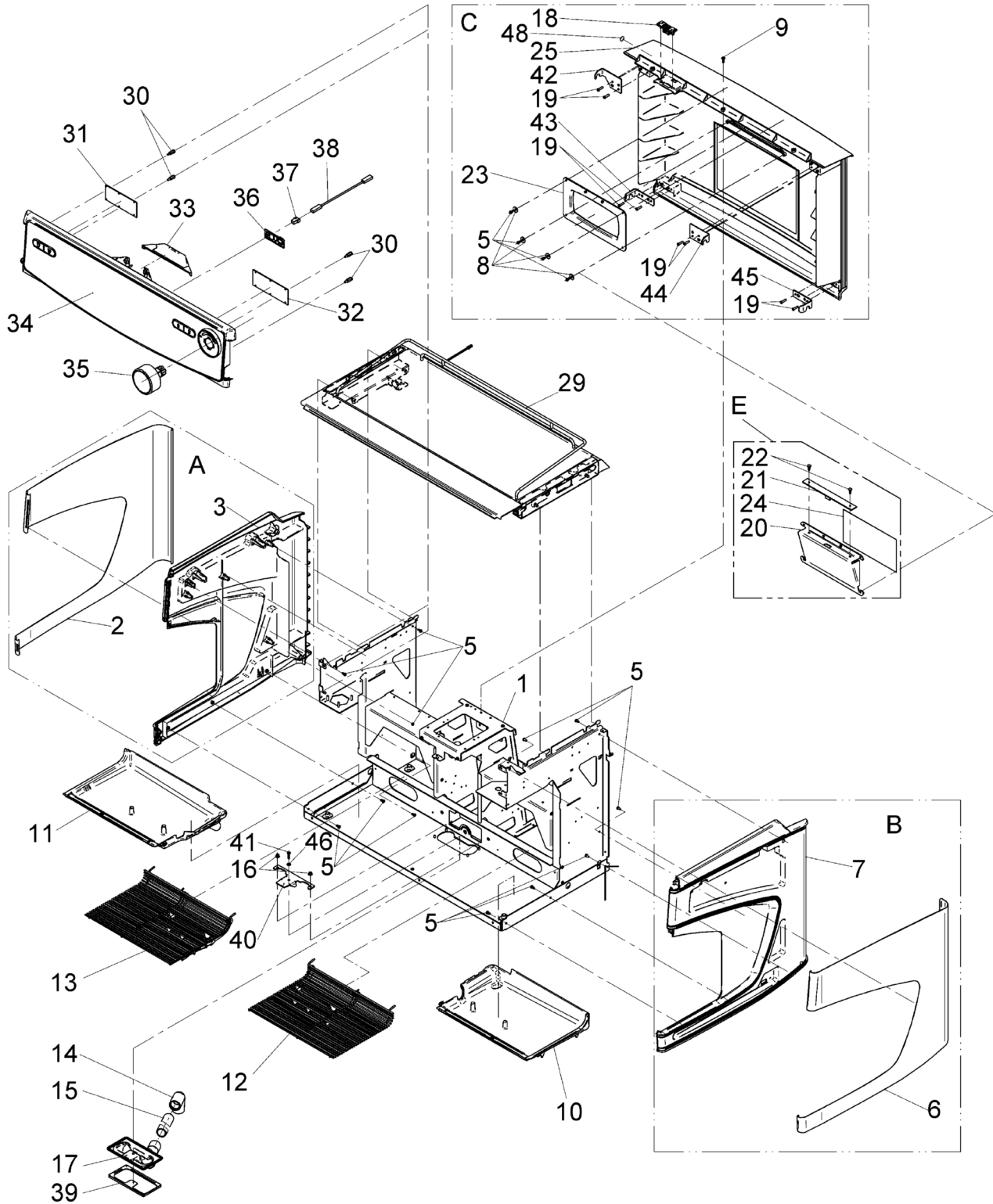
**Copyright by ©**

Schaerer Ltd.  
CH-4528 Zuchwil

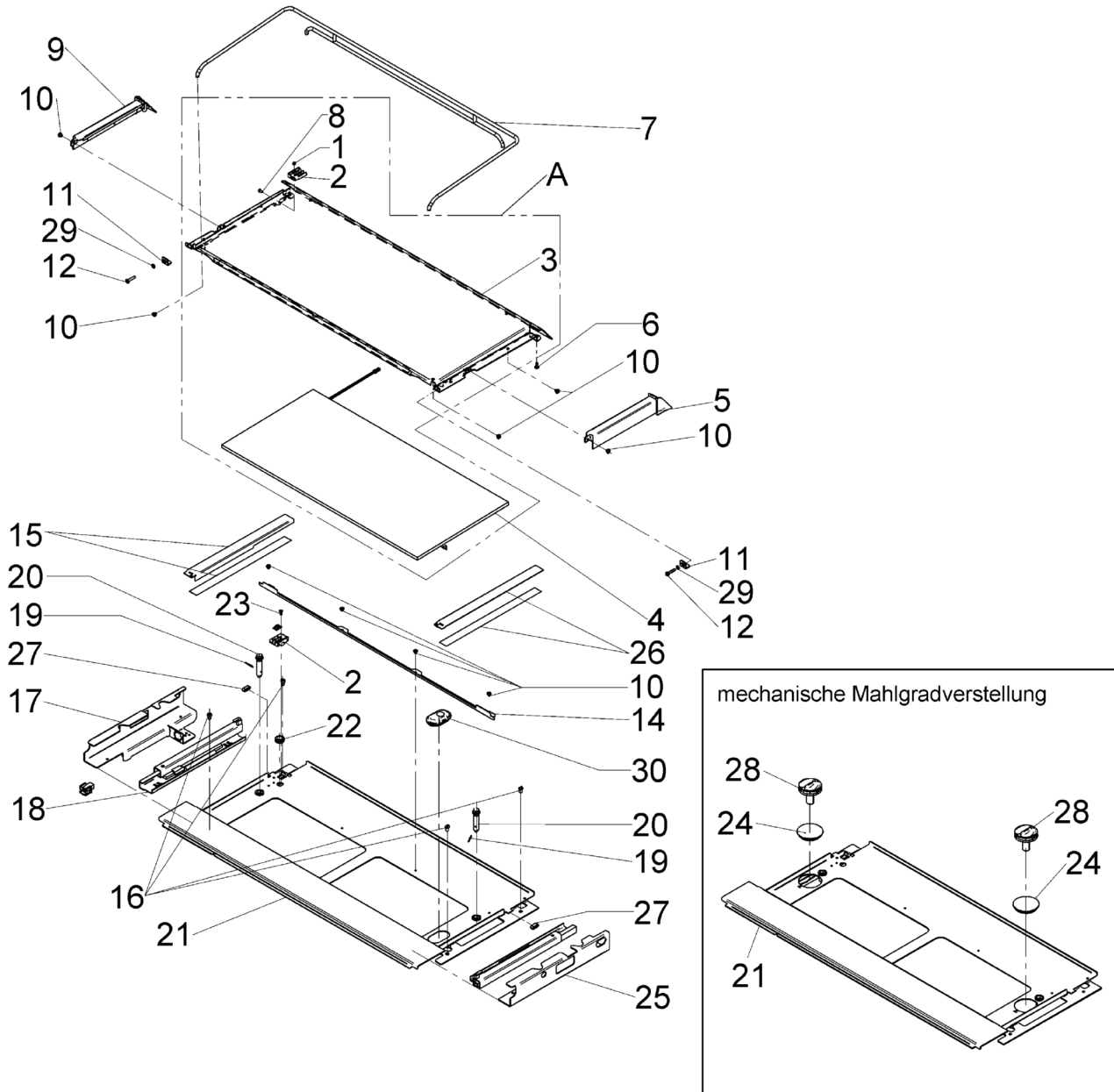
This document is copyrighted. All rights are reserved. The reproduction, distribution, transmission via electronic systems or translation of this document in another language is not permitted without the written consent of Schaerer Ltd. This applies to the entire document, as well as to individual excerpts thereof. The contents of the document are based on the most current data available at the time of printing. Schaerer Ltd reserves the right to make changes at any time without further notice. All pictures, illustrations and display messages in this [manual](#) serve only as examples. Due to the wide variety of possible options, a particular machine may differ from the devices depicted here. Schaerer Ltd is only liable for the contents of the original German document including the German section of the online spare parts catalogue.

---

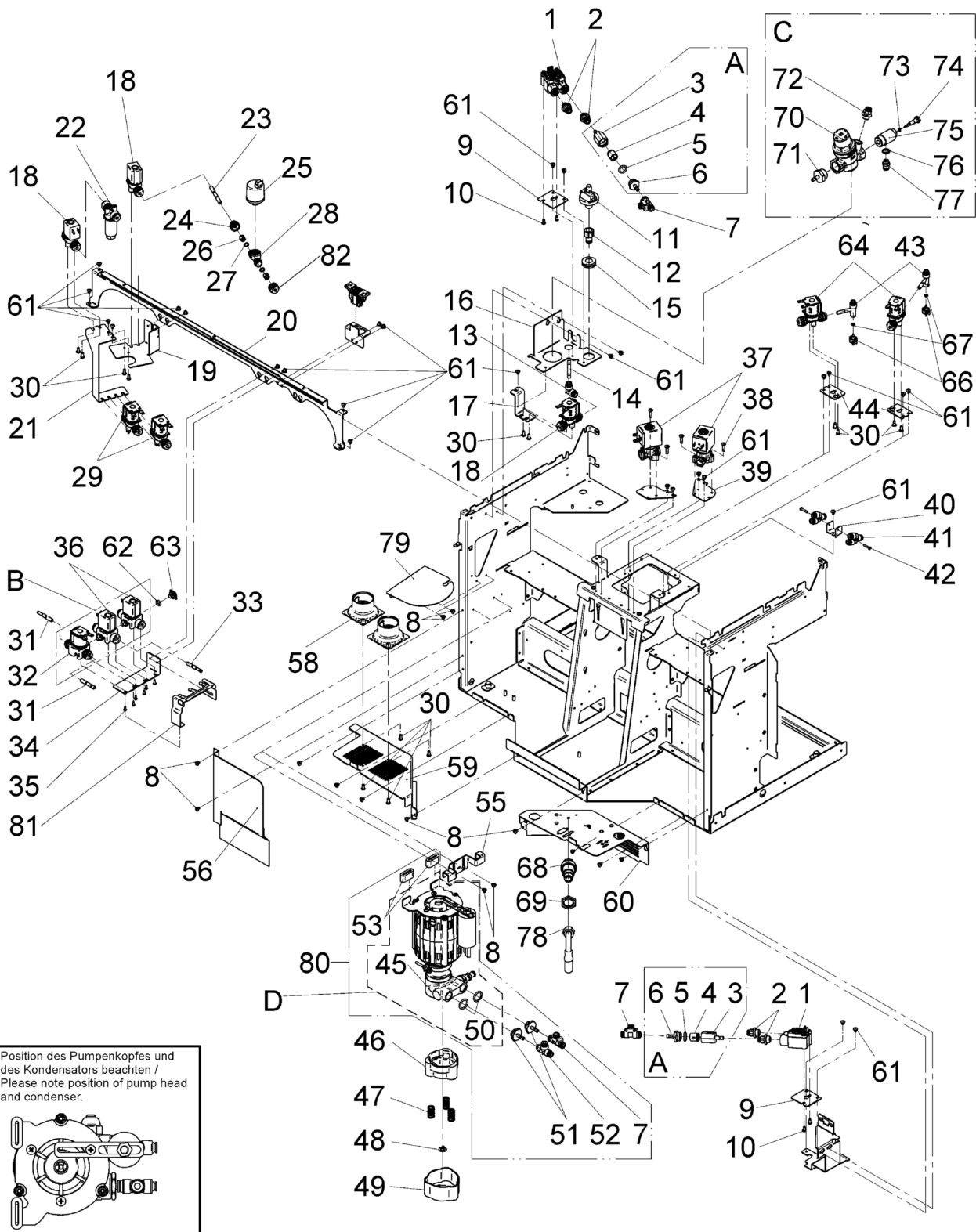
<b>Designation</b>	<b>Page</b>
Outside view	2
Cup shelf	4
Built-in parts hydraulic	6
Built-in parts 1	10
Brewing unit	12
Grinder	14
Boiler	16
Bean hopper	18
Steam and hot water outlet	20
Solenoid valve single	24
Solenoid valves connected	26
Telemetry module	28
Portafilter	30
Bean hopper large	32
Electrical machine structure	34
Base frame	36
Retrofitting sets	38
Knock box	40



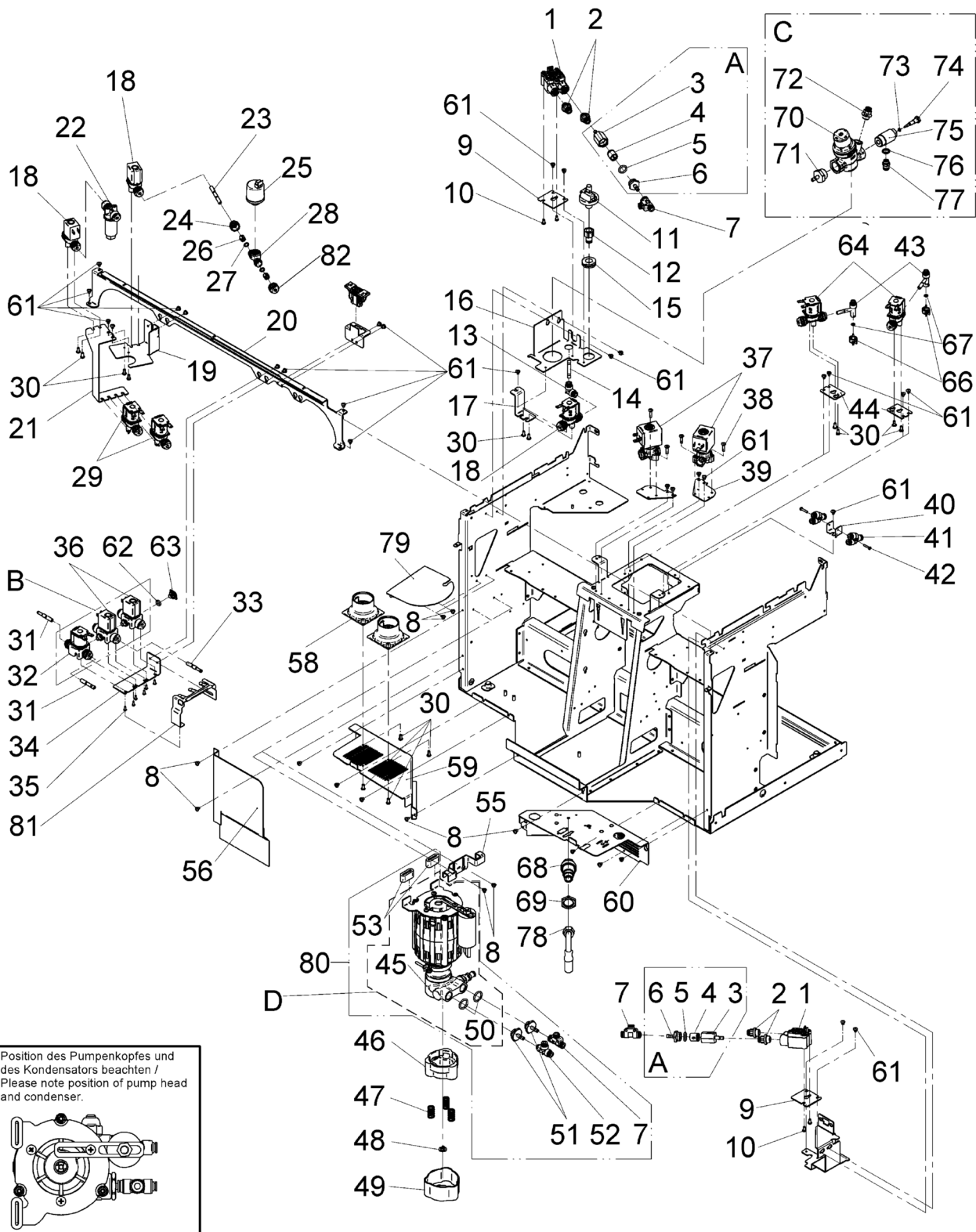
Pos.	Order no.	Designation	Information	EA1	EA2
1			33.XXXX.XXXX Note: see base frame 0355008000	-	-
5	00.0047.3627	PT oval head scr. PZ 40x8 Inox	00.0047.3627 EJOT PT-screw KA 40x 8-WN 1412-A2	-	-
10	33.2682.8000	Drip tray right SB bk	33.2682.8000 drip tray, right	-	-
11	33.2682.7000	Drip tray left SB bk	33.2682.7000 drip tray, left	-	-
12	33.2905.1000	Drip grid right cpl. SB	33.2905.1000 mesh, drip tray, right	-	-
13	33.2906.1000	Drip grid left cpl.	33.2906.1000 mesh, drip tray, left	-	-
14	33.2165.8000	Elbow plug-type fitting 23/23	33.2165.8000 connector piece, tilted	-	-
15	33.4002.7000	Pipe 20.4/25x220 PP gr	33.4002.7000 pipe	-	-
16			00.0047.2116 comby-wheel-nut M4 self-locking-A2	-	-
21			33.2464.2100 Flat module LED illumination	-	-
22	33.2494.9000	Spacer 3.2/1.5 PA sw	33.2494.9000 spacer	-	-
23	33.7007.4842	Illuminated frame	33.7007.4842 logo plate Schaerer-Logo, black	-	-
23	33.7007.4889	Rear housing logo holder	33.7007.4889 lighted frame, rear cover w/o logo, transparent	-	-
23	33.7007.4927	Illuminated frame	33.7007.4927 lighted frame Schaerer-Logo, transparent	-	-
24	33.7007.4929	Dffuser foil	33.7007.4929 diffuser film	-	-
25	33.7007.4829	Rear housing	33.7007.4829 rear cover, compl.	-	-
29			33.XXXX.XXXX Note: see cup storage 0355008000	-	-
31	33.2677.5000	Additional board steam user panel	33.2677.5000 board, left	-	-
32	33.2677.6000	Additional board hot water user panel	33.2677.6000 board, right	-	-
33			33.2687.5000 lid	-	-
34	33.4117.0199	User panel SB progr.	33.4117.0199	-	-
35	33.4117.1000	SB Rotary handle	33.4117.1000 turning knob	-	-
36	33.4073.4000	Add-on board + SD card	33.4073.4000 plug board with SD card	-	-
36	33.4103.0000	SD card WMF Espresso/SAG Barista	33.4103.0000 SD card	-	-
37	33.4081.2000	Mini-USB stick 2GB	33.4081.2000 mini USB	-	-
38	33.4081.1000	Mini-USB control cable	33.4081.1000 cable, USB	-	-
46	00.0047.2160	Washer 4.3/9x0.8 PA 6.6 bk	00.0047.2160 washer PA6.6-bl	-	-
A	33.7007.4849	Left housing section cpl.	33.7007.4849 side cover, left, compl.	-	-
B	33.7007.4852	Right housing section cpl.	33.7007.4852 side cover, right, compl.	-	-
C	33.7997.4839	Rear housing cpl. SB	33.7997.4839 rear panel compl.	-	-
E			33.XXXX.XXXX Note: see retrofit kits, rear cover illumination. Only w/ illumination	-	-



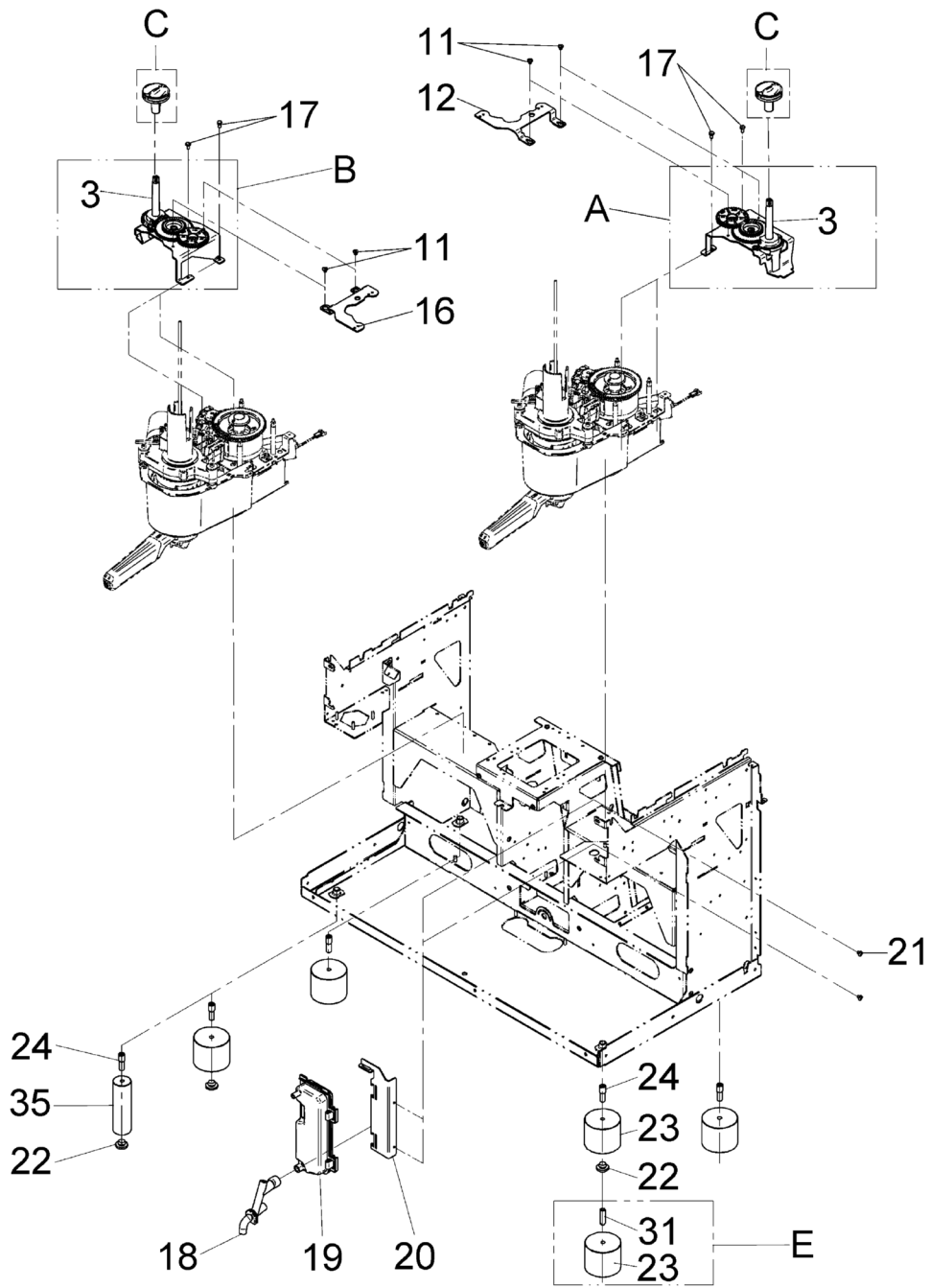
Pos.	Order no.	Designation	Information	EA1	EA2
2			33.4016.2000 contact, 2-pin	-	-
11			33.4060.4000 angle	-	-
21			33.4715.7000 intermediate floor, compl.	-	-
24	33.4036.5000	Cover cap 45x6 NBR black	33.4036.5000 lock, grinding degree setting	-	-
28	33.2912.2000	Rotary handle grinder setting	33.2912.2000 turning knob, grinding setting, compl.	-	-
29	00.0047.2251		00.0047.2251 tooth lock washer DIN 6797-A 4,3-1.4300	-	-
30	33.7007.4837	On/Off button cover	33.7007.4837 cover	-	-
A			33.7007.4890	-	-
99			33.4715.9099 electric grind adjustment	-	-
99			33.7997.4831 cup storage, compl. mechanical grind adjustment	-	-



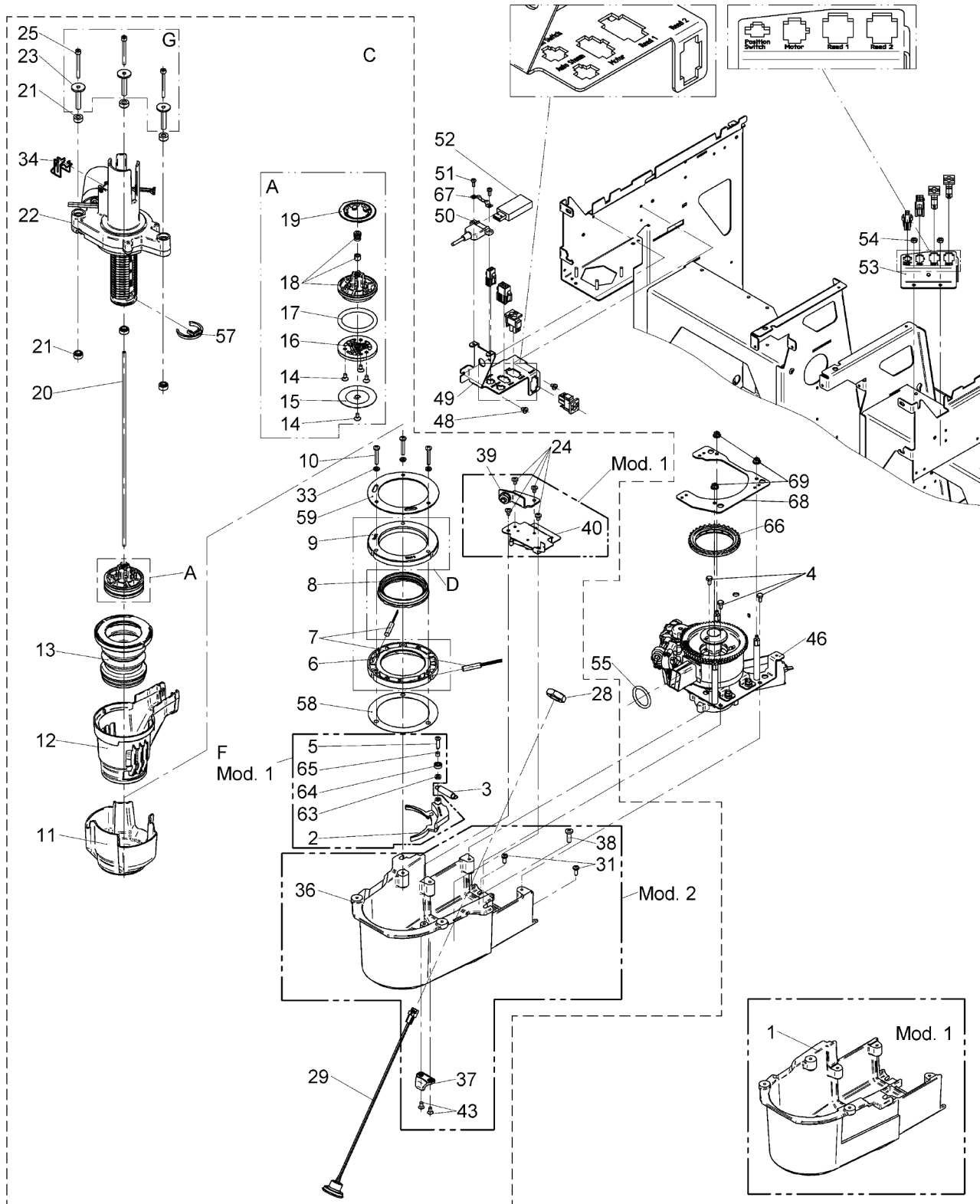
Pos.	Order no.	Designation	Information	EA1	EA2
1	<a href="#">33.4000.8000</a>	Flow meter 1.0 G1/4-G1/4 PVDF	<a href="#">33.4000.8000</a> flow meter	1	-
2			<a href="#">33.2692.1000</a> plug-in connection I 6-G1_4	-	-
7	<a href="#">33.1445.7000</a>	Plug-in T conn. 6-6-6 PPSU	<a href="#">33.1445.7000</a> plug-in connection T 6-6-6	-	-
8	<a href="#">00.0047.3356</a>	Oval head scr. PH M4x5 Inox	<a href="#">00.0047.3356</a> pan head screw ISO 7045-M 4x 5-1.4301-H	-	-
11	<a href="#">33.4216.9000</a>	Pressure switch 0.5bar	<a href="#">33.4216.9000</a> Pressure-switch 0.5 bar	-	-
12	<a href="#">33.1498.8000</a>		<a href="#">33.1498.8000</a> plug-in connection I 6-G1_4	-	-
15			<a href="#">33.2375.3000</a> rubber funnel	-	-
18			<a href="#">33.XXXX.XXXX</a> Note: valve pos. 9, see drawing magnet valves single	-	1
22	<a href="#">33.2849.7099</a>	Water filter cpl.	<a href="#">33.2849.7099</a> water filter	-	-
23	<a href="#">33.2411.2100</a>	Nozzle 1.2/6x45 Inox	<a href="#">33.2411.2100</a> aperture	-	-
24	<a href="#">33.2274.1000</a>	Union nut M15x1 wh	<a href="#">33.2274.1000</a> union nut, white, 6 mm	-	-
25	<a href="#">33.2241.8000</a>	Pressure sensor 4bar 12V DC	<a href="#">33.2241.8000</a> pressure sensor	-	1
26	<a href="#">33.2274.2000</a>	Compression ring 6/9.8x10 PPSU	<a href="#">33.2274.2000</a> clamping ring	-	-
27	<a href="#">33.2274.0000</a>	O-ring 6.07x1.78 EPDM 70 Sh A bk	<a href="#">33.2274.0000</a> O-ring, 6.07x1.78 EPDM	-	-
28	<a href="#">33.2354.6000</a>	Base body pressure sensor	<a href="#">33.2354.6000</a> base body	-	1
29			<a href="#">33.XXXX.XXXX</a> Note: valve pos. 1, see drawing magnet valves single	1	-
30	<a href="#">00.0047.3653</a>	PT oval head scr. PH washer 40x10 Inox	<a href="#">00.0047.3653</a> EJOT PT-screw KA 40x10 WN 1411-A2	-	-
31	<a href="#">33.2507.6000</a>	Hose fitting 7.5-5.8 bs	<a href="#">33.2507.6000</a> plug, hose	-	-
32			<a href="#">33.XXXX.XXXX</a> Note: valve 13, see piping diagram	-	-
33	<a href="#">33.2411.5000</a>	Nozzle 1.5/6x38 Inox	<a href="#">33.2411.5000</a> aperture 1.5 mm	-	-
35	<a href="#">00.0047.3640</a>	PT oval head scr. PH washer 30x8 Inox	<a href="#">00.0047.3640</a> EJOT PT-screw KA 30x 8-WN 1411-A2	-	-
36			<a href="#">33.XXXX.XXXX</a> Note: valve pos. 1, see drawing magnet valves concatenated	1	-
37			<a href="#">33.XXXX.XXXX</a> Note: valve 16 and 17, see piping diagram	1	-
38	<a href="#">00.0047.3365</a>	Oval head scr. PH M4x16 Inox	<a href="#">00.0047.3365</a> pan head screw ISO 7045-M 4x16-1.4301-H	-	-
41			<a href="#">33.2293.5000</a> plug-in connection Y 6-4-4	-	-
42	<a href="#">00.0047.3322</a>	Oval head scr. PH M3x16 Inox	<a href="#">00.0047.3322</a> pan head screw ISO 7045-M 3x16-1.4301-H	-	-
43	<a href="#">33.2350.7000</a>	Base body temperature sensor cpl.	<a href="#">33.2350.7000</a> base body	-	1
45			<a href="#">33.4208.3000</a> vane type pump USA	-	-
45			<a href="#">33.4208.4000</a> pump head spare part, only for USA	-	-
45	<a href="#">33.2673.0000</a>	Water pump head 100l	<a href="#">33.2673.0000</a> pump head spare part only (Standard and Japan)	-	-
46			<a href="#">33.2354.7000</a> holder	-	-
47			<a href="#">33.0199.0000</a> spring	-	-
49			<a href="#">33.4001.0000</a> pump head receiver	-	-
50	<a href="#">33.0395.5000</a>	O-ring 17.12x2.62 EPDM 70 Sh A bk	<a href="#">33.0395.5000</a> O-ring, 17.12x2.62 EPDM	-	-
51	<a href="#">33.2587.3000</a>	Threaded fitting 6-G3/8 bs	<a href="#">33.2587.3000</a> nipple I 6-G3_8	-	-
52			<a href="#">33.2242.9000</a> plug-in connection T 6-6-4	-	-
55			<a href="#">33.4208.6000</a> fastening espresso pump USA, foe USA only	-	-
56			<a href="#">33.2935.5000</a> pump cover	-	-
58			<a href="#">33.4002.8000</a> cover	-	-
61	<a href="#">00.0047.3357</a>	Oval head scr. PH M4x5 Inox	<a href="#">00.0047.3357</a> pan head screw ISO 7045-M 4x 5-A2-H-Spv.	-	-
62	<a href="#">33.4004.2000</a>	O-ring 7.6x2.4 EPDM 70 Sh A bk	<a href="#">33.4004.2000</a> O-ring, 7.60x2.40 EPDM	1	-
63	<a href="#">33.2641.5000</a>	Blind plug ø8x11 PPSU	<a href="#">33.2641.5000</a> locking stopper	1	-
64			<a href="#">33.2400.7000</a> valve 2/2 NW2.5 stroke 0.75-12 bar brewing water valve	-	-
66	<a href="#">33.2495.0000</a>	Temperature sensor	<a href="#">33.2495.0000</a> temperature sensor	-	-
67	<a href="#">33.2534.8000</a>	O-ring 3.6x1.9 EPDM 70 Sh A bk	<a href="#">33.2534.8000</a> O-ring, 3.60x1.90 EPDM	-	-
68	<a href="#">33.2800.4600</a>	Non-return valve G3/8-M12 POM	<a href="#">33.2800.4600</a> water inlet	-	-
69			<a href="#">33.0130.4000</a> hexagon nut	-	-
70	<a href="#">33.1406.5100</a>	Pressure reducing valve H bs 2.6bar R1/2	<a href="#">33.1406.5100</a> reduction valve 2.6 bar	-	-
71			<a href="#">33.2191.4000</a> nipple-connection I 4-G1_2 sealed with with threadlocker 00 0048 7704	-	-
72			<a href="#">33.2692.1000</a> plug-in connection I 6-G1_4	-	-
73	<a href="#">33.0398.5000</a>	O-ring 2.9x1.78 EPDM 70 Sh A bk	<a href="#">33.0398.5000</a> O-ring, 2.90x1.78 EPDM	-	-
74			<a href="#">33.2193.1100</a> needle orifice	-	-
75			<a href="#">33.2497.1100</a> plug sealed with with threadlocker 00 0048 7704	-	-
76	<a href="#">33.1555.8000</a>	Flat seal 10.2/13.4x2 Cu	<a href="#">33.1555.8000</a> seal	-	-
77	<a href="#">33.1446.1000</a>	Screw-in connection 6-G1/8 Inox	<a href="#">33.1446.1000</a> plug-in connection I 6-G1_8	-	-
78	<a href="#">33.2369.4000</a>	Line 8/11x1500 Silikon G3/8-G3/8 bs	<a href="#">33.2369.4000</a> infeed hose 2x G 3/8 without coating	-	-



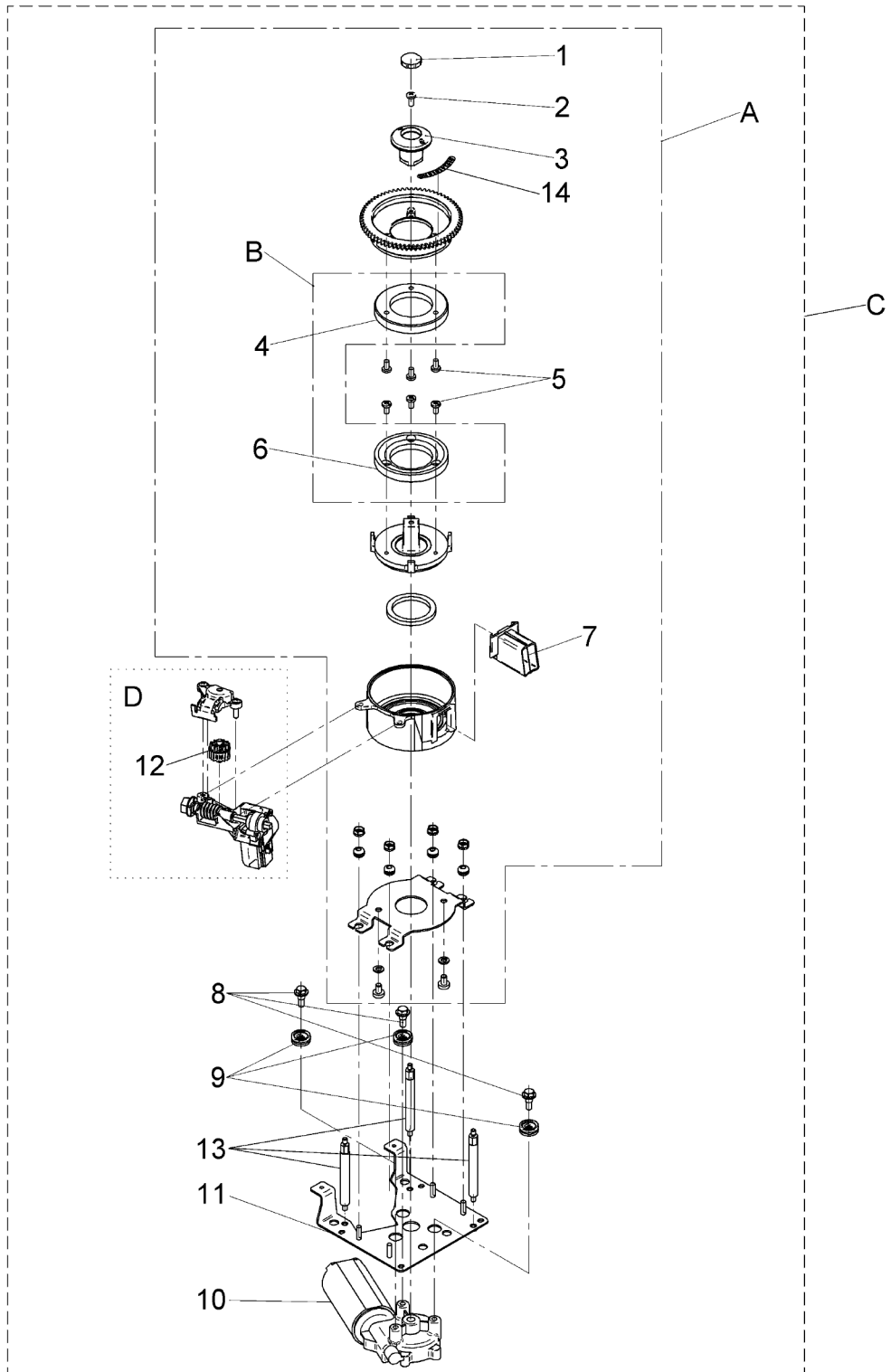
Pos.	Order no.	Designation	Information	EA1	EA2
81	33.4162.8000	Valve block earthing clip	33.4162.8000 angle, grounding	-	-
82	33.2274.4000	Union nut M15x1 bk	33.2274.4000 union nut, black, 6 mm	-	-
A	<a href="#">33.2729.8000</a>		<a href="#">33.2729.8000</a> check valve includes item 3-6	-	-
C	<a href="#">33.2906.3099</a>	Pressure reducing valve cpl. SB	<a href="#">33.2906.3099</a> reduction valve, compl.	-	-
D	33.2921.4099	Water pump 240V AC 1450rpm 7.5bar	33.2921.4099 vane type pump balanced, spare part only	-	-
D			33.2921.4199 vane type pump balanced, 200 V/3 kW Japan, spare part only	-	-
D			<a href="#">33.4208.3099</a> vane type pump balanced-USA, spare part only	-	-



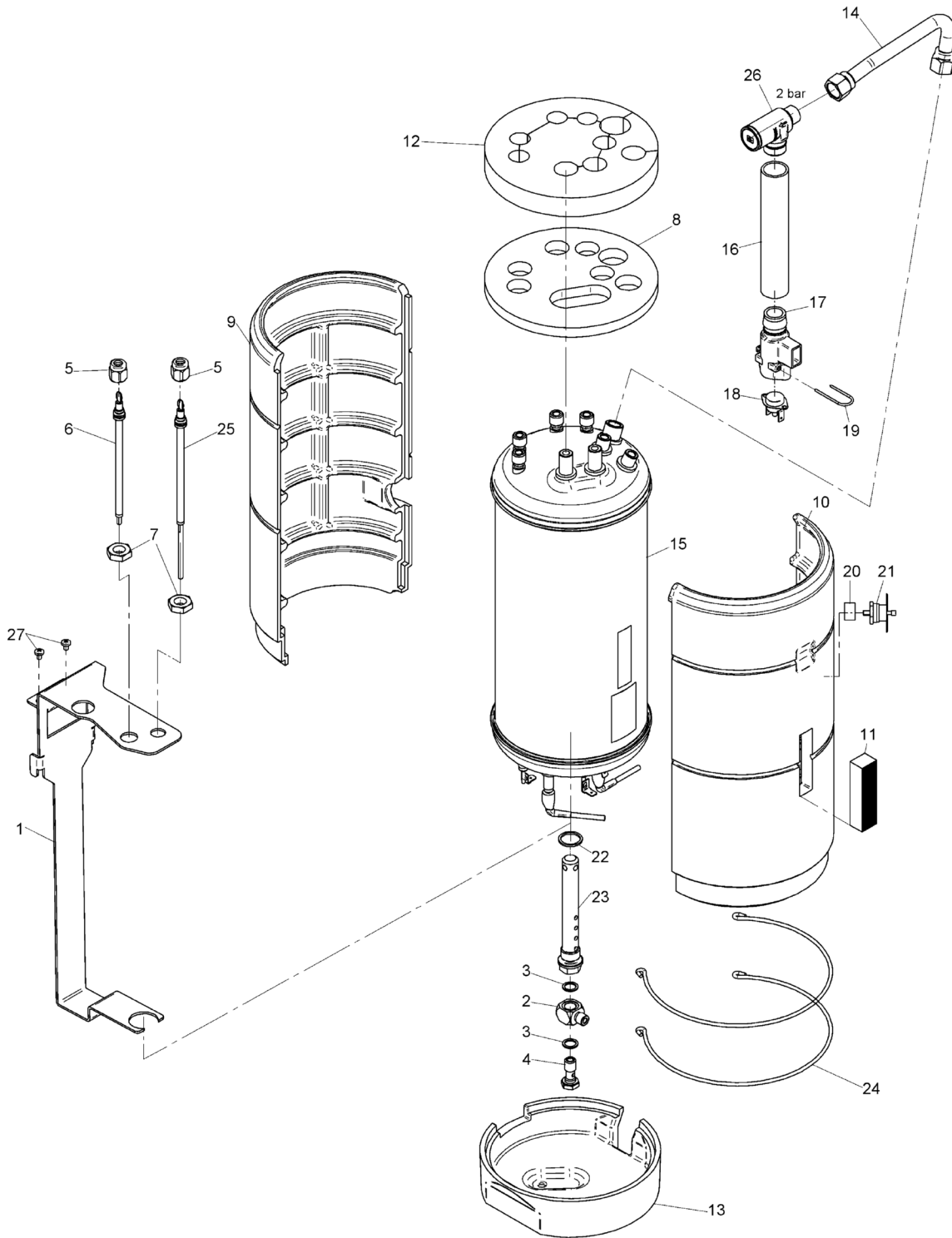
Pos.	Order no.	Designation	Information	EA1	EA2
3	33.2910.0000	Adjustable grinder gear	33.2910.0000 grinding degree setting	-	-
11	00.0047.3357	Oval head scr. PH M4x5 Inox	00.0047.3357 pan head screw ISO 7045-M 4x 5-A2-H-Spv.	-	-
12			33.4004.0000 angle, hopper, right	-	-
16			33.4000.6000 angle, hopper, left	-	-
18	33.4001.9000	Outlet residual water	33.4001.9000 release	-	-
19	33.2479.3000	Condensate trap cpl.	33.2479.3000 condensate separator	-	-
22	33.1389.3000	Foot	33.1389.3000 foot	-	-
23			33.2670.3000 foot, 60 mm, round	-	-
24	33.9471.0000	Bolt M8/M10x32 brass	33.9471.0000 bolt	-	-
31	00.0047.2363	Slotted threaded pin M8x30 FP Inox	00.0047.2363 Threaded pin ISO 4766-M 8x30-1.4301	-	-
35	33.2369.0000	Foot 100mm	33.2369.0000 foot, 100 mm 100 mm, USA module	-	-
A	33.2911.3099	Grinder setting right cpl.	33.2911.3099 grinding degree setting, right only spare part for mechanical grind adjustment	-	-
B	33.2905.7099	Grinder setting left cpl.	33.2905.7099 grinding degree setting, left only spare part for mechanical grind adjustment	-	-
C	33.2912.2000	Rotary handle grinder setting	33.2912.2000 turning knob, grinding setting, compl.	-	-
E			33.3326.3000 Retrofit kit feet 50 mm for espresso	-	-



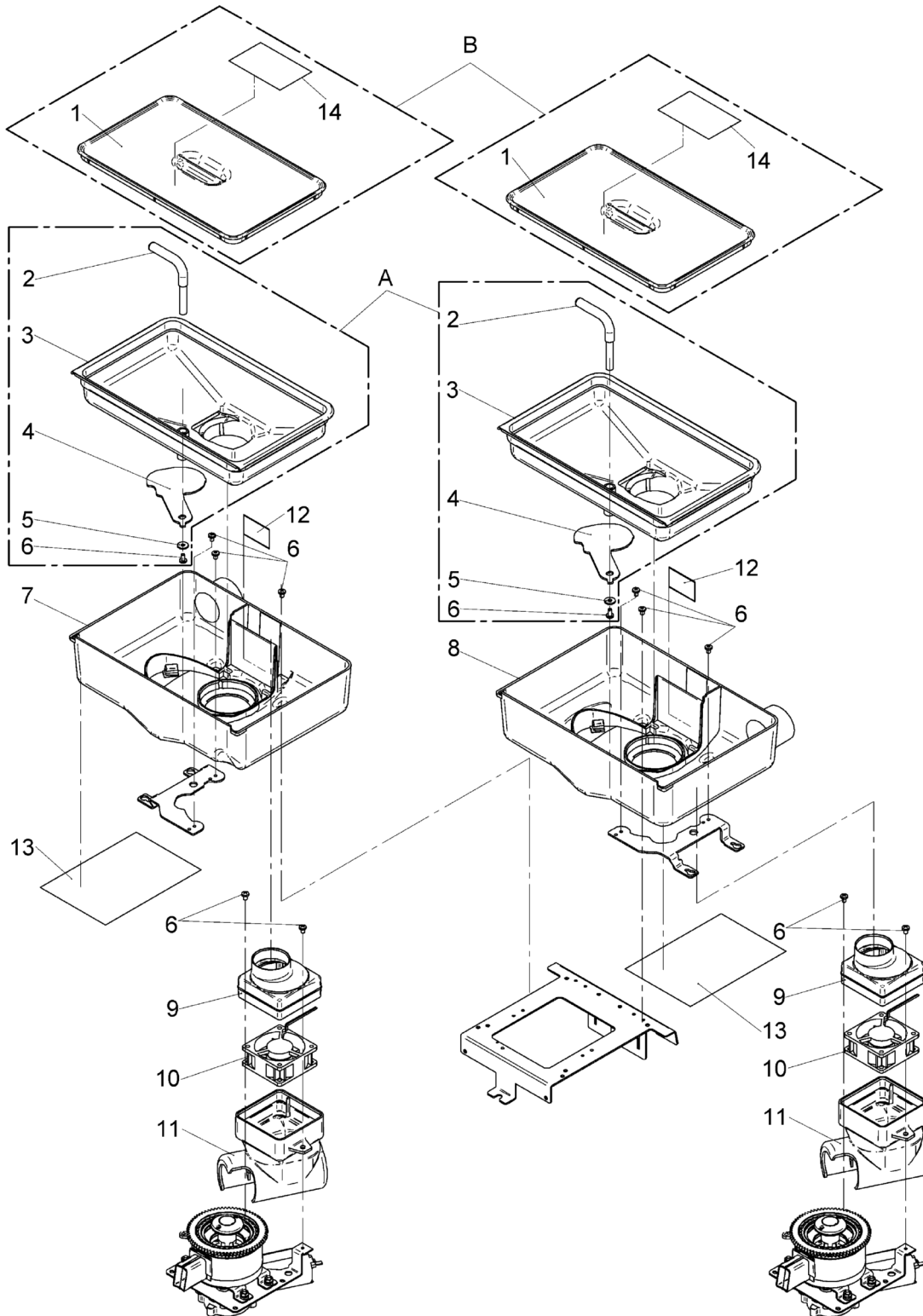
Pos.	Order no.	Designation	Information	EA1	EA2
1			33.2698.6000 holder, portafilter, right	-	-
1			33.2680.0000 holder, portafilter, left	-	-
2	33.2685.8000	Switching cam	33.2685.8000 control curve	-	-
3	33.4000.0000	Tension spring 0.5x8x33.2 Inox	33.4000.0000 pull-spring	-	-
4	00.0047.1407	Hex screw M4x8 Inox	00.0047.1407 hexagon-screw ISO 4017-M 4x 8-1.4301	-	-
7	33.1593.4000	Switch Manual Insert	33.1593.4000 switch, manual insert	-	1
8	33.2689.7000	Sealing ring sieve holder	33.2689.7000 steam block, wiper	-	-
9			33.4036.3000 bayonet cover, top	-	-
11			33.4063.8000 cover, grounds chute	-	-
12			33.2670.1100 ground coffee chute	-	-
13	33.2685.7000	Spindle protection	33.2685.7000 bellows spindle cover	-	-
14	00.0047.3112	Ctsk scr. PZ M4x8 Inox	00.0047.3112 counter sunk screw ISO 7046-2-M 4x 8-1.4 fastening torque 0.8 Nm, glued-in with Loctite 243 blue, material number 00 0048 4906	-	-
15	33.2671.0000	Distributor sieve	33.2671.0000 distributor sieve	-	-
17	33.2675.5000	O-ring 42x5.33 VMQ 70 Sh A rd	33.2675.5000 O-ring, 42.00x5.33 MVQ	-	-
21	33.2697.7000	Insulation sleeve	33.2697.7000 insulation sleeve	5	-
22	33.2670.7000	Spindle drive 24V DC 211rpm PBT	33.2670.7000 spindle drive	1	-
23			33.4214.1000 spacer screw fastening torque 1.0 Nm, glued-in with Loctite 243 blue, material number 00 0048 4906	2	-
25			00.0047.1100 cheese head screw ISO 4762-M 4x40-A2-70 fastening torque 3.0 Nm, glued-in with Loctite 243 blue, material number 00 0048 4906	-	-
28			00.0047.2090 hexagonnut ISO8675-M16x1.5-04-zinc-plate	-	-
29	33.4016.4000	LED module coffee dispensing	33.4016.4000 LED module	-	-
33	00.0047.2251		00.0047.2251 tooth lock washer DIN 6797-A 4,3-1.4300	-	-
34	33.4152.1000	Limit switch protective clip	33.4152.1000 guard clip	-	-
36	33.4095.7000	Portafilter bracket	33.4095.7000 holder, portafilter universal	-	-
37	33.4168.4000	Portafilter stop	33.4168.4000 stop	-	-
38	00.0047.3392	Oval head scr. PH M5x16 Inox	00.0047.3392 pan head screw ISO 7045-M 5x16-1.4301-H	-	-
39			33.2944.4099 lock, portafilter, pressure plate	-	-
40			33.2938.5099 lock, portafilter	-	-
43	00.0047.3112	Ctsk scr. PZ M4x8 Inox	00.0047.3112 counter sunk screw ISO 7046-2-M 4x 8-1.4 fastening torque 1.3 Nm, glued-in with Loctite 243 blue, material number 00 0048 4906	-	-
50	33.2677.8000	USB connection extension cable	33.2677.8000 USB	-	-
52	33.2492.5000	USB stick 16GB	33.2492.5000 USB stick	-	1
55	33.1458.8000	O-ring 24.99x3.53 EPDM 70 Sh A bk	33.1458.8000 O-ring, 24.99x3.53 EPDM	-	-
57	33.4076.9000	Piston lock	33.4076.9000 piston block	-	-
58			33.4080.2000 adjusting washer	-	-
59			33.4087.6000 thrust washer	-	-
66	33.2406.1000	Sealing ring grinder	33.2406.1000 seal, grinder	-	-
69			00.0047.2005 retainer nut	-	-
A	33.2897.2099	Brewing piston	33.2897.2099 brewing piston	-	-
D	33.2894.8000	Bayonet cover cpl.	33.2894.8000 bayonet cover	-	-
F			33.2920.9099 switch cam Modification 1, compl.	-	-
G	33.2924.0000	Brewing unit drive screw set	33.2924.0000 screw set, brewer drive	-	-



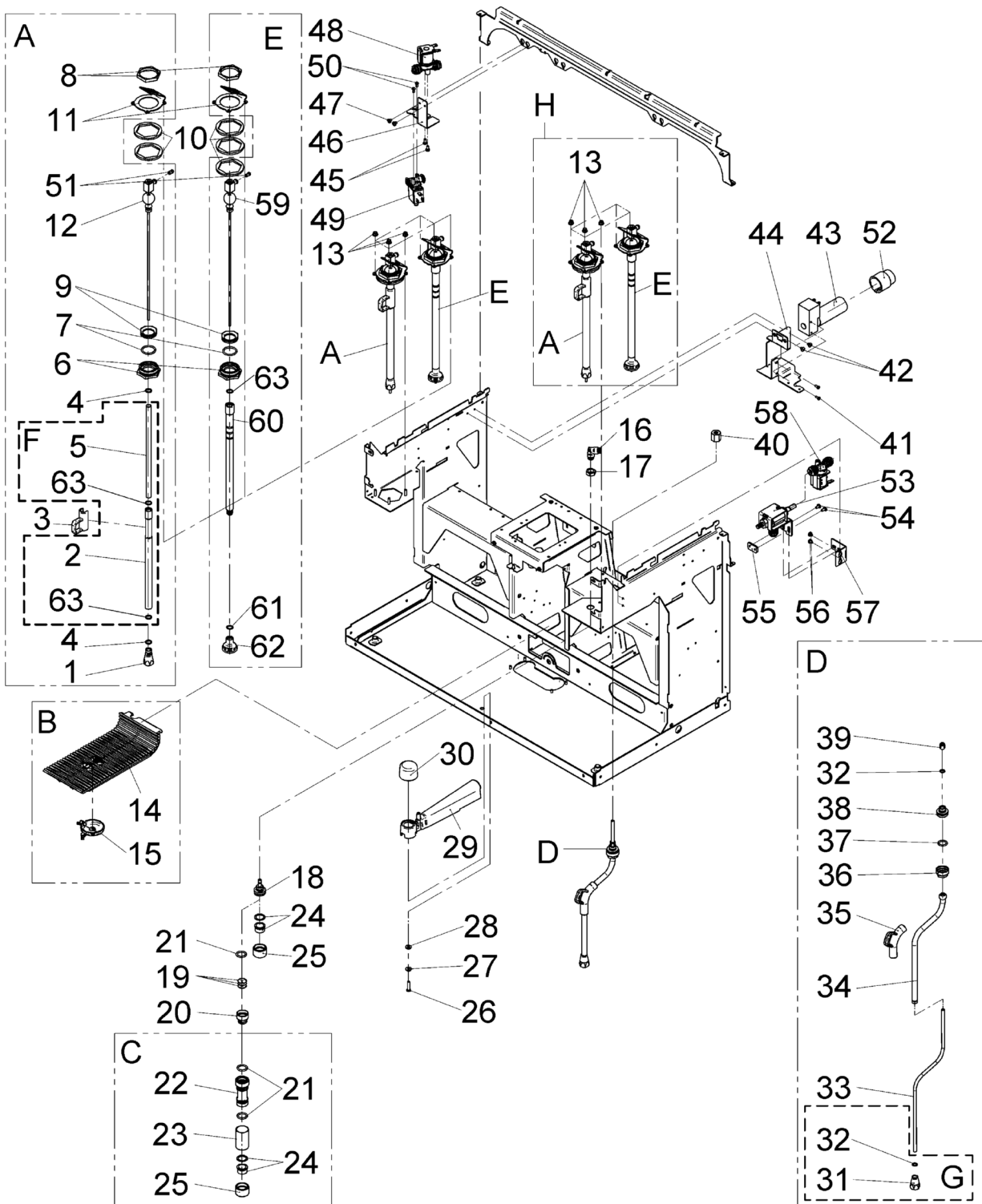
Pos.	Order no.	Designation	Information	EA1	EA2
1	070629	Lid finger protection grinder	<a href="#">33.7007.0629</a> lid, finger guard	-	-
2	<a href="#">00.0047.3363</a>	Oval head scr. PH M4x10 Inox	<a href="#">00.0047.3363</a> pan head screw ISO 7045-M 4x10-1.4301-H	-	-
3			<a href="#">33.7007.0628</a> finger guard	-	-
5			33.7120.4080 oval head screw, M4x8, 1.4301	-	-
7			<a href="#">33.7006.2437</a> powder spout, short	-	-
9	<a href="#">33.2602.6000</a>	Motor damper 6.15/16.8x6.6 NBR bk	<a href="#">33.2602.6000</a> insulation, grinder	-	-
10	<a href="#">33.2676.6000</a>	Motor 36V DC grinder	<a href="#">33.2676.6000</a> grinder motor motor 36 V DC, Nidec 5500	1	-
14	33.4269.9000	Grinding level sticker 0-10	33.4269.9000 adhesive label, grinding degree	-	-
A	<a href="#">33.4038.0000</a>	Grinder housing 5500 cpl.	<a href="#">33.4038.0000</a> replacement grinder housing, compl.	1	-
B	<a href="#">33.4038.1000</a>	Grinding disc set 5500	<a href="#">33.4038.1000</a> replacement grinder disc set, 5500	-	-
D	33.2932.1000	Motor drive grinder setting	33.2932.1000 grinding degree setting, electrical	-	-



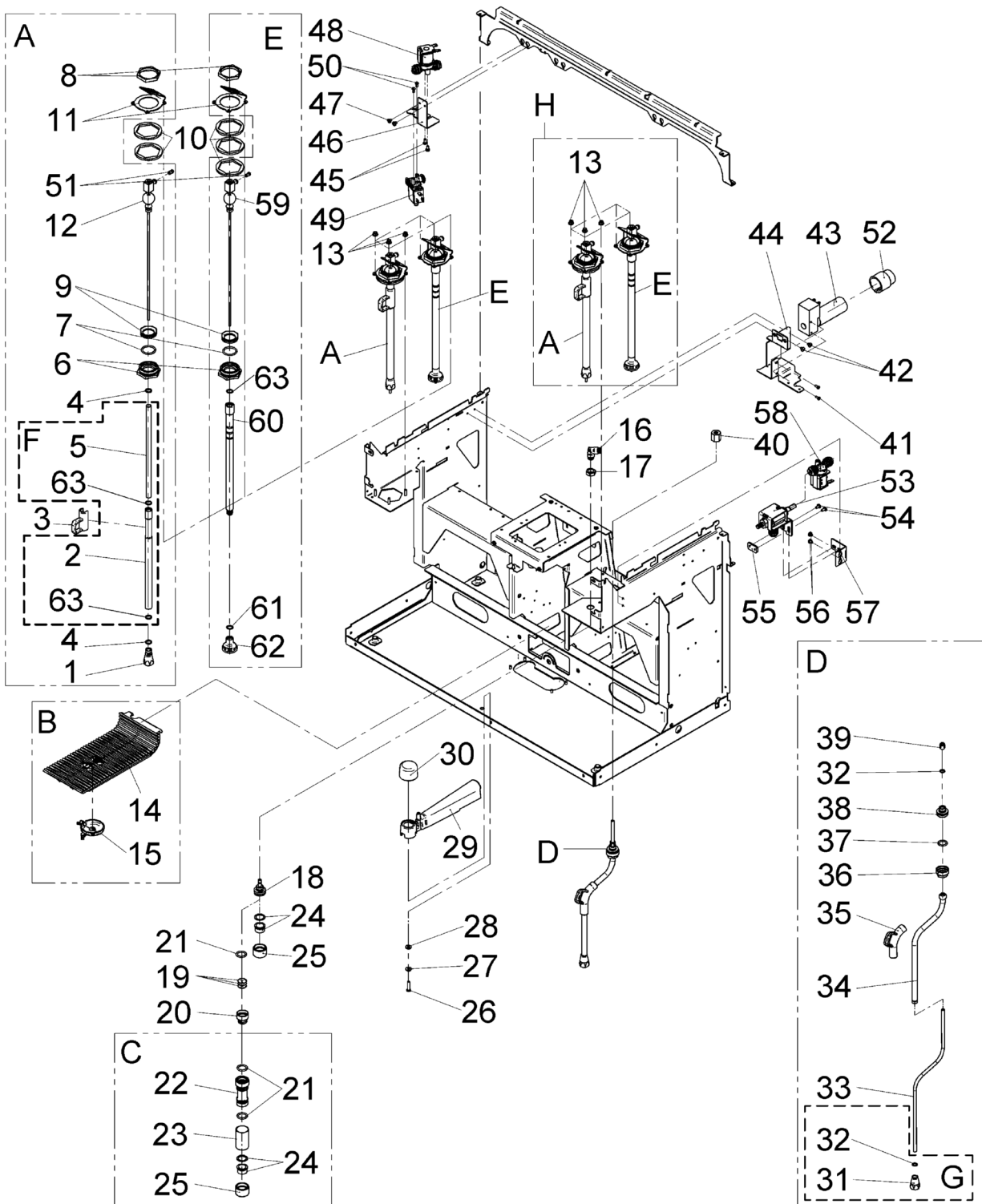
Pos.	Order no.	Designation	Information	EA1	EA2
1	33.4009.5000	Mounting bracket steam boiler	33.4009.5000 angle, fastening, steam boiler	-	-
2	33.2092.9100	Nipple pivot ring piece (A2)	33.2092.9100 plug	-	-
3	33.0060.1000	Flat seal 10/13.5x1 Cu	33.0060.1000 sealing ring	-	-
4	33.2093.0100	Hollow screw size 1 short G1/8 Inox	33.2093.0100 hollow screw	-	-
5			33.2290.6000 union nut	-	-
6	33.2910.7000	Electrode cpl. BW L=192 Titan	33.2910.7000 electrode OW, compl.	-	-
9			33.4001.6200 insulation	-	-
10			33.4001.6100 insulation	-	-
11			33.2655.3000 foam sheet	-	-
12			33.4001.7000 insulation	-	-
13			33.4001.6000 insulation	-	-
14	33.4017.6000	Pipe cpl. 9/12 Inox safety valve	33.4017.6000 pipe, safety valve, compl.	-	-
15	33.4005.0199	Steam boiler 230V-400V AC 3kW 3.7l GB	33.4005.0199 boiler 230 V-3000 W/400V- 6000 W, UK UK	-	-
15	33.4005.0000	Steam boiler 400V AC 6kW 3.7l	33.4005.0000 boiler 230 V-3000 W/400V- 6000 W standard	-	-
17	33.2656.9000	Holder temperature limiter	33.2656.9000 spout	-	-
18	33.2674.3000	Temperature limiter 77 °C	33.2674.3000 safety temperature limiter	-	-
19	33.2242.5000	Safety bracket	33.2242.5000 retainer, plug	-	-
20			33.2674.1000 Klixon mount	-	-
21	33.2674.2000	Temperature limiter 147 °C	33.2674.2000 safety temperature limiter	-	-
22	33.0064.5000	Flat seal 17/23x1.5 Cu	33.0064.5000 seal	-	-
23	33.4018.7000	HW dispensing pipe boiler	33.4018.7000 plug	-	-
24			33.4001.8000 bracket, metal	-	-
25	33.2910.8000	Electrode cpl. NW L=235.4 Titan	33.2910.8000 electrode LW, compl.	-	-
26	33.2622.2000	Safety valve 2 bar	33.2622.2000 safety valve 2 bar	-	1
26	33.2622.2199	Safety valve 2bar+certificate UK	33.2622.2199 safety valve 2 bar, UK certificate spare part UK, with certificate	-	-
27	00.0047.3387	Toothed oval head scr. PZ M5x8 Inox	00.0047.3387 Zahn-pan head screwohne DIN M 5x 8-1.430	-	-



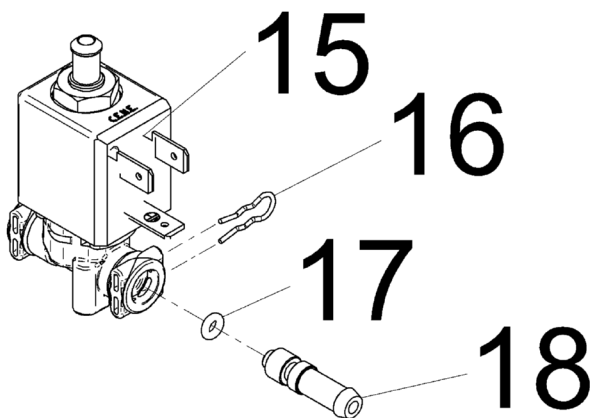
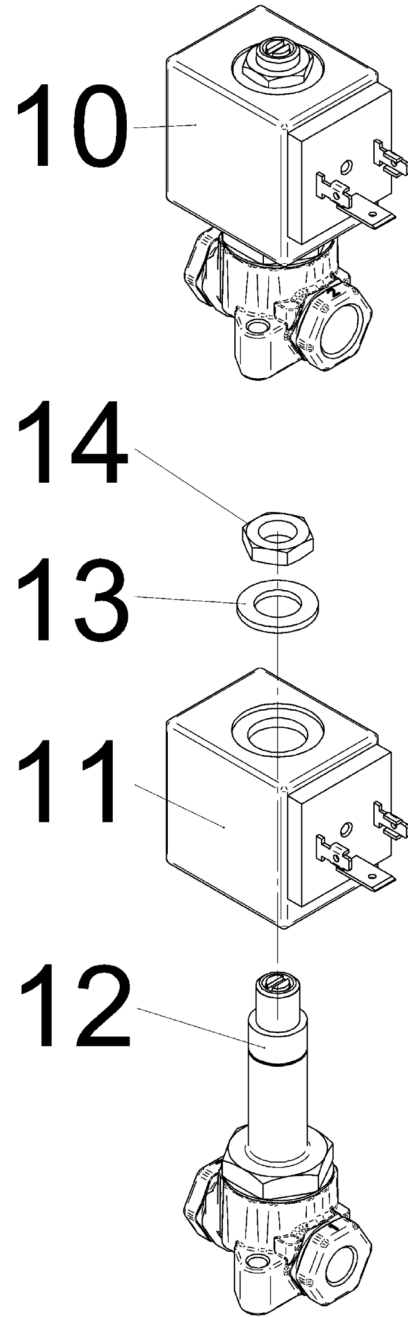
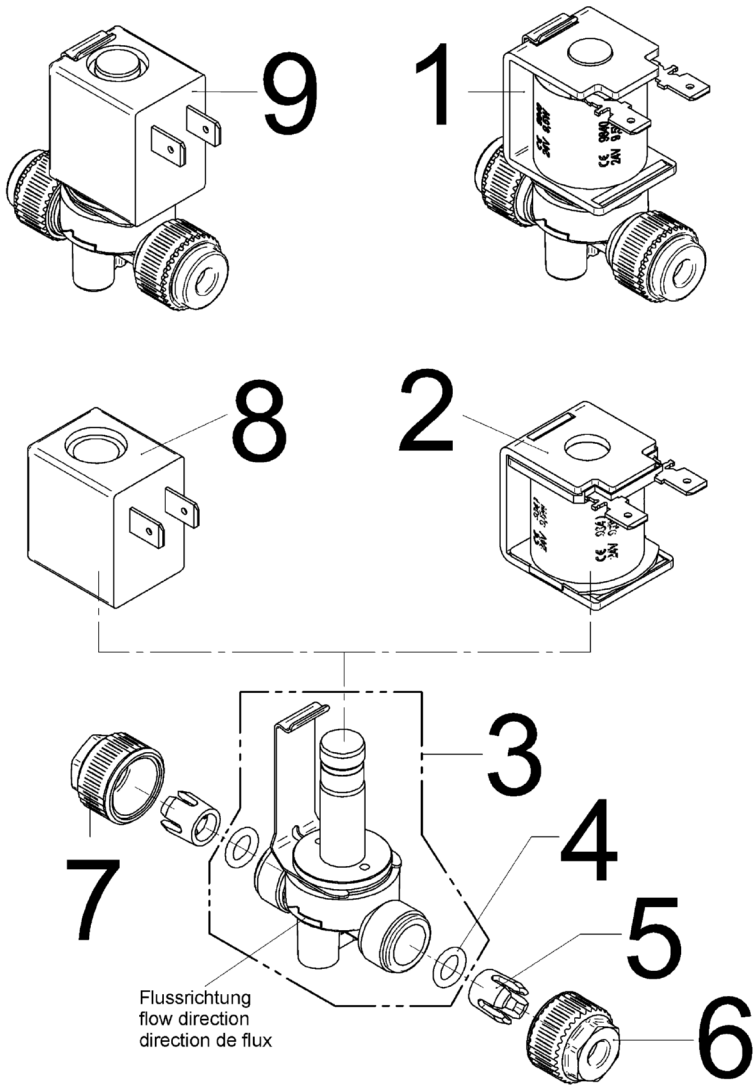
<b>Pos.</b>	<b>Order no.</b>	<b>Designation</b>	<b>Information</b>	<b>EA1</b>	<b>EA2</b>
7	<a href="#">33.2691.8000</a>	Bracket bean hopper left SB	<a href="#">33.2691.8000</a> bean hopper, left	-	-
8	<a href="#">33.4002.9000</a>	Bracket bean hopper right SB	<a href="#">33.4002.9000</a> bean hopper, right	-	-
9			<a href="#">33.2675.9000</a> air duct	-	-
10	33.2617.5000	Fan Molex 24V DC	33.2617.5000 fan	-	1
11			<a href="#">33.4002.2000</a> air duct	-	-
12			33.2613.7000 adhesive labels	-	-
13	33.2324.6000	Adhesive tape 102x150 alu	33.2324.6000 adhesive tape	-	-
A	<a href="#">33.2891.9099</a>	Bean hopper cpl. SB	<a href="#">33.2891.9099</a> bean hopper, top	-	-
B			33.4019.5100 bean hopper lid	-	-



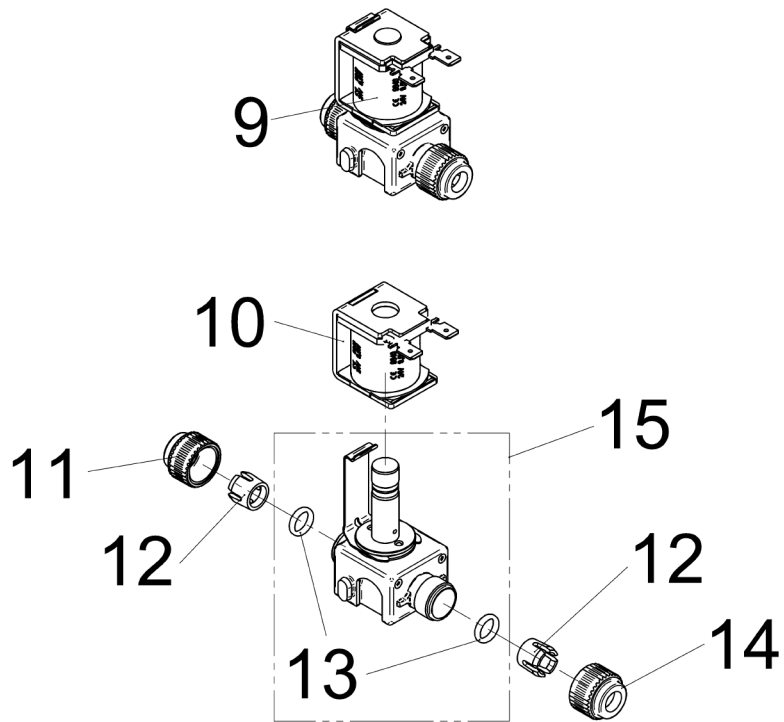
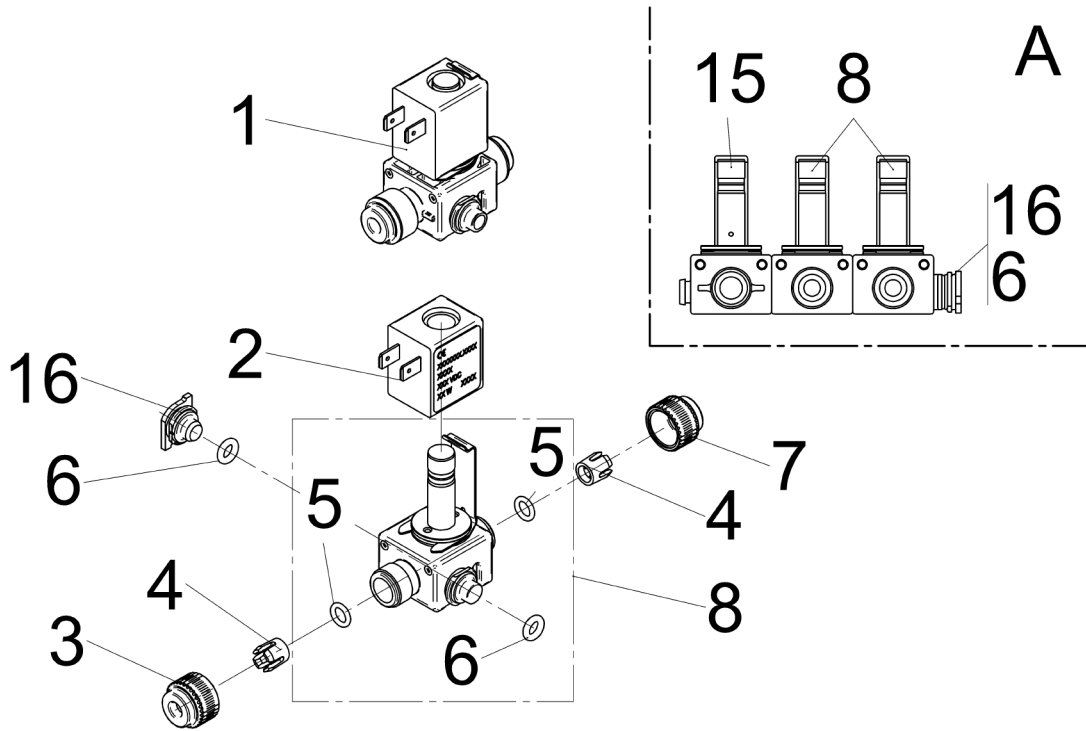
Pos.	Order no.	Designation	Information	EA1	EA2
1	33.2658.7000	Mixing nozzle steam wand	33.2658.7000 mixing nozzle	-	-
1	33.2658.7100	Steam nozzle PEEK	33.2658.7100 mixing nozzle, PEEK	-	-
2			33.2671.3400 steam extraction pipe	-	-
2	33.2671.3100	Steam pipe PEEK	33.2671.3100 steam extraction pipe, PEEK	-	-
3	33.2071.9000	Hand protection steam outlet	33.2071.9000 handle	-	-
4	33.1580.3000	O-ring 8x2 EPDM 70 Sh A bk	33.1580.3000 O-ring, 8.00x2.00 EPDM	-	-
5			00.0048.0050 tube 7,6x1,0 PTFE	-	-
6	33.2503.5200	Ball socket bottom section	33.2503.5200 nut	-	-
7	33.2503.6000	O-ring 23.47x2.62 EPDM 75 Sh A bk	33.2503.6000 O-ring, 23.47x2.62 EPDM	-	-
8	33.2503.9000	Hex nut MF38x1.5 br	33.2503.9000 nut	-	-
9	33.2503.7000	Ball socket upper section	33.2503.7000 connection piece	-	-
10	33.4023.0000	Spacer washer Supersteam	33.4023.0000 adjusting disc	-	-
12	33.2671.4000	Temperature sensor cpl.	33.2671.4000 temperature sensor	-	-
13			00.0047.2103 Comby-SHB-nut-M4-Selbstsichernd-A2K	-	-
14	33.2699.8000	Insert drip grid steam cup warmer SB	33.2699.8000 steam plate	-	-
15	33.2699.9000	Collecting tray steam cup warmer SB	33.2699.9000 steam plate	-	-
16	33.2021.5000	Elbow plug-type fitting 6-6 PPSU	33.2021.5000 plug-in connection L 6-6	-	-
17	33.0227.7000	Hex nut G1/4 bs	33.0227.7000 hexagon nut	-	-
18	33.2191.8000	Connection 6-G1/4-M22x1 Inox	33.2191.8000 connection piece	-	-
19			33.2673.9000 filter	-	-
20			33.2560.3000 adapter piece	-	-
21	33.0393.5000	O-ring 15.54x2.62 EPDM 70 Sh A bk	33.0393.5000 O-ring, 15.54x2.62 EPDM	-	-
22			33.4034.9000 spout housing	-	-
24	33.0336.7000	Air mix nozzle	33.0336.7000 nozzle, spout	-	-
25			33.4035.0000 spout	-	-
26			00.0047.3668 flat head tapping screw, for plastic D 4	-	-
27	00.0047.2197	Washer 4.3/12x1 Inox	00.0047.2197 washer ISO 7093-1-4-200HV-1.4301	-	-
28	33.1484.6000	Flat seal 5/11.5x1 Vulkollon 90 Sh A	33.1484.6000 seal	-	-
29			33.2683.1000 steam nozzle	-	-
30			33.4002.0000 cap	-	-
30	33.2911.5099	Steam wand cpl.	33.2911.5099 steam dispensing	-	-
32	33.0398.4000	O-ring 5.28x1.78 EPDM 70 Sh A bk	33.0398.4000 O-ring, 5.28x1.78 EPDM	-	-
33	00.0048.4956	Hose 4/6 PTFE	00.0048.4956 tube 4,0x1,0 PTFE	-	-
34			33.2367.9000 steam dispensing	-	-
35	33.4002.5000	Handle steam wand	33.4002.5000 handle, steam extraction	-	-
36			33.2295.7000 nut	-	-
37	33.1504.9000	O-ring 13.94x2.62 EPDM 70 Sh A bk	33.1504.9000 O-ring, 13.94x2.62 EPDM greased w/ Molykote 111 mat.no. 487705	-	-
38			33.2269.2000 connection piece	-	-
39	33.2274.2000	Compression ring 6/9.8x10 PPSU	33.2274.2000 clamping ring	-	-
40	33.2375.5000	Coupling nut 8-G1/4 bs	33.2375.5000 union nut	-	-
41	00.0047.3318	Pan head screw PH M3x8 Inox	00.0047.3318 pan head screw ISO 7045-M 3x 8-1.4301-H	-	-
42	00.0047.3356	Oval head scr. PH M4x5 Inox	00.0047.3356 pan head screw ISO 7045-M 4x 5-1.4301-H	-	-
43	33.2595.0600	Air pump restrictor 0.6	33.2595.0600 air pump	-	-
45	00.0047.3653	PT oval head scr. PH washer 40x10 Inox	00.0047.3653 EJOT PT-screw KA 40x10 WN 1411-A2	-	-
47	00.0047.3357	Oval head scr. PH M4x5 Inox	00.0047.3357 pan head screw ISO 7045-M 4x 5-A2-H-Spv.	-	-
49	33.4011.6000	N/O solenoid valve PA 2/2 24V DC 1.4	33.4011.6000 valve 2/2 NW1.4 stroke 1.0 NO	-	-
50	00.0047.3651	PT oval head scr. PH 35x8 Inox	00.0047.3651 EJOT PT-screw KA 35x 8-WN 1412-4303	-	-
51			33.2508.1000 aperture 2.2 mm	-	-
52			33.2626.4000 spout	-	-
53	33.2909.9100	Brass hand valve 2/2 4.0	33.2909.9100 steam valve	-	-
54	00.0047.3361	Oval head scr. PH M4x8 Inox	00.0047.3361 pan head screw ISO 7045-M 4x 8-1.4301-H	-	-
56	00.0047.3357	Oval head scr. PH M4x5 Inox	00.0047.3357 pan head screw ISO 7045-M 4x 5-A2-H-Spv.	-	-
58			33.2274.8000 valve 2/2 NW4.5 stroke 1.2	-	-
59	33.7007.4911	Temperature sensor Autosteam DD	33.7007.4911 temperature sensor	-	-
60	33.7007.4908	Steam wand SB DD	33.7007.4908 steam dispensing pipe	-	-
61	061346	O-ring 9x1.5 FKM 75 Sh A gn	33.7006.1346 O-ring 9.0x1.5 FPM	-	-
62	33.7007.4909	Steam nozzle SB DD	33.7007.4909 steam nozzle	-	-
63	33.0395.3000	O-ring 9.25x1.78 EPDM 70 Sh A bk	33.0395.3000 O-ring, 9.25x1.78 EPDM	-	-
A	33.2897.6099	Steam wand Autosteam cpl. SB	33.2897.6099 Autosteam right, left	-	-
A			33.2897.6199 right, left	-	-
E			33.7997.4910	-	-



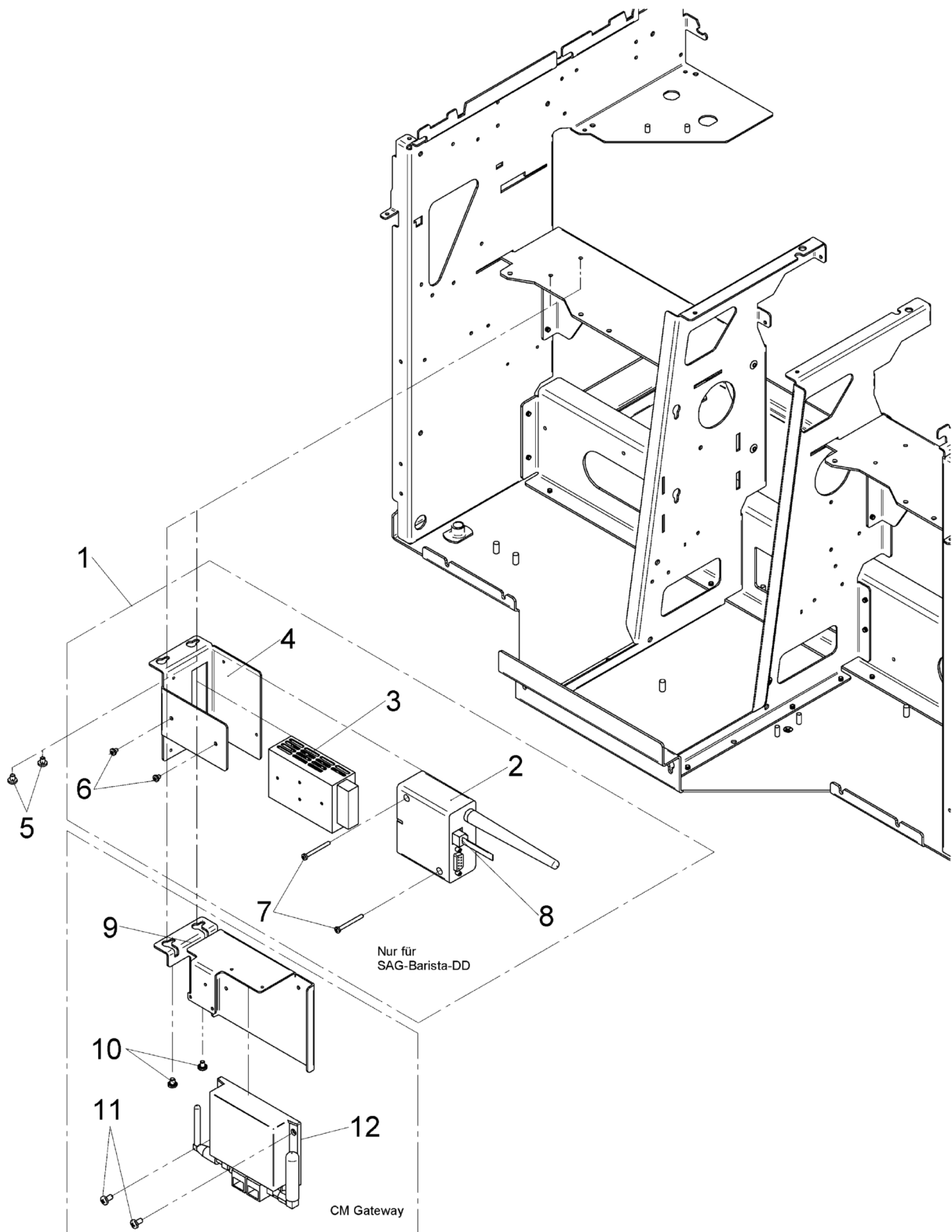
Pos.	Order no.	Designation	Information	EA1	EA2
B			33.2898.6000 steam plate	-	-
C			33.2911.4199 pipe	-	-
F			33.2925.6099 pipe, compl.	-	-
D	33.2911.5099	Steam wand cpl.	33.2911.5099 steam dispensing	-	-
G	33.4708.1000	Steam nozzle Inox incl. O-ring	33.4708.1000 nozzle, compl. milk foamer and O-ring	-	-



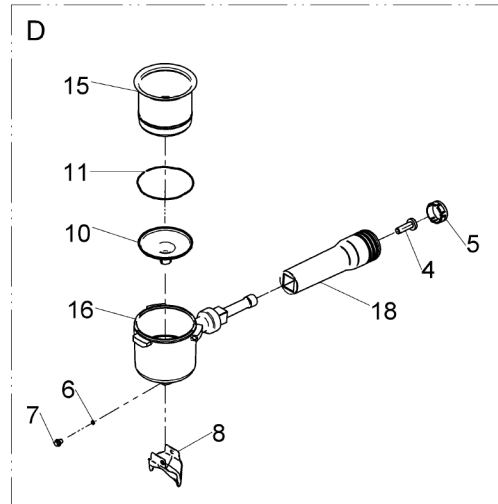
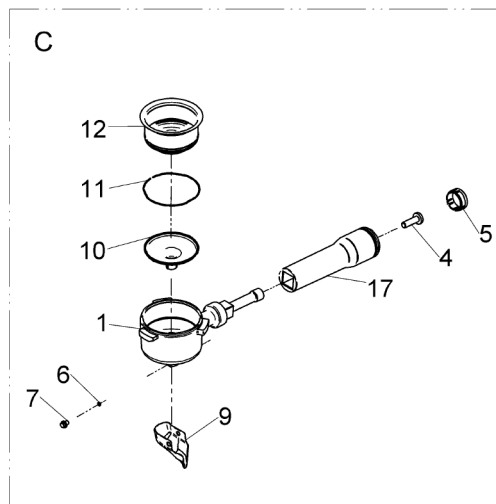
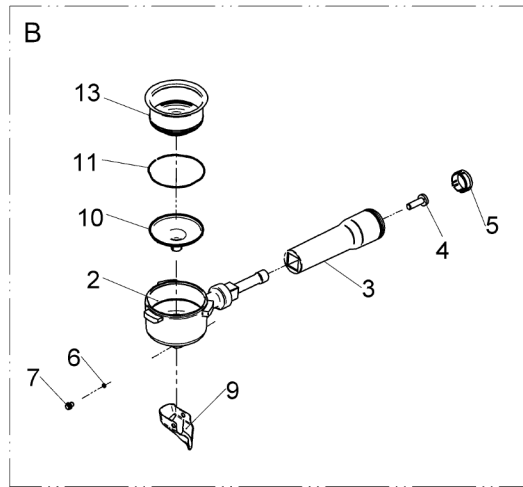
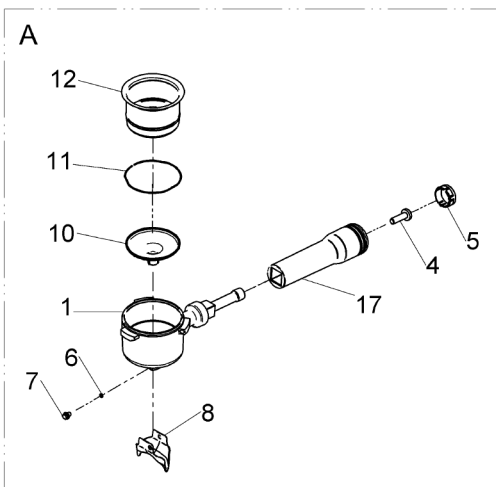
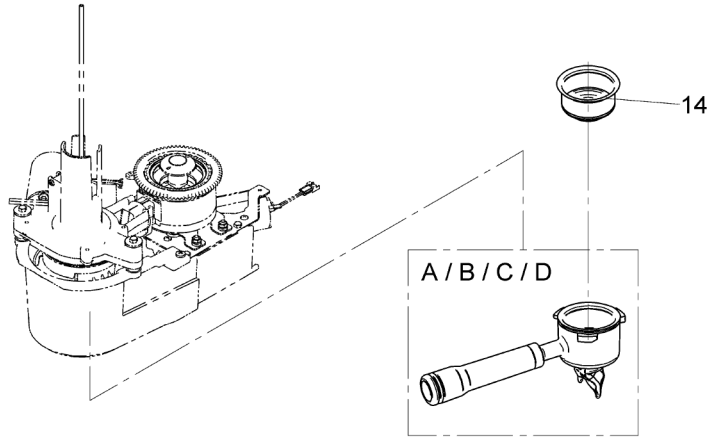
Pos.	Order no.	Designation	Information	EA1	EA2
2	<a href="#">33.2274.7000</a>	Solenoid 24V DC 9.5W not insulated	<a href="#">33.2274.7000</a> magnet body not encased, for valve item 1.	-	1
3	<a href="#">33.2400.8000</a>	Valve body 2/2 2.5 0.75 stroke	<a href="#">33.2400.8000</a> valve 2/2 id2.5 stroke0.75-12bar no coil spare valve no magnet, brewing valve	-	1
3	33.2274.5000	Valve body 2/2 2.5 1.2stroke	33.2274.5000 valve 2/2 NW2.5 stroke 1.2, no solenoid spare valve no magnet, release valve brewer	-	1
3	33.2274.9000	Valve body 2/2 4.5 1.2Hub	33.2274.9000 valve 2/2 NW4.5 stroke 1.2, no solenoid spare valve no magnet, steam dispensing valve	-	1
3	<a href="#">33.2500.3000</a>	Valve body PPSU 2/2 2.5 0.75	<a href="#">33.2500.3000</a> valve 2/2 NW2.5 stroke 0.75, no solenoid spare valve no magnet, air valve, Auto Steam	-	1
3			33.XXXX.XXXX Note: mixing valve hot water cold, jetvalve, vent valve steam	-	-
3	<a href="#">33.2273.9000</a>	Valve body PPSU 2/2 2.5	<a href="#">33.2273.9000</a> valve 2/2 id2.5 stroke0.75-10bar no coil mixing valve, hot water hot, pressure release steam boiler, steam boiler feed valve	-	1
4	33.2274.0000	O-ring 6.07x1.78 EPDM 70 Sh A bk	33.2274.0000 O-ring, 6.07x1.78 EPDM for 6mm connection, for spare valves 33 2273 9000, 33 2274 5000 and 33 2274 8000	-	-
4	33.2275.3000	O-ring 8.07x1.78 EPDM 70 Sh A bk	33.2275.3000 O-ring, 8.07x1.78 EPDM for 8mm connection, for spare valve 33 2274 9000	-	-
5	33.2274.2000	Compression ring 6/9.8x10 PPSU	33.2274.2000 clamping ring for 6mm connection, for spare valves 33 2273 9000, 33 2274 5000 and 33 2274 8000	-	-
5	<a href="#">33.2275.2000</a>	Compression ring 8/11.8x10 PPSU	<a href="#">33.2275.2000</a> clamping ring for 8mm connection, for spare valve 33 2274 9000	-	-
6	<a href="#">33.2275.0000</a>	Coupling nut 8-M15x1 wh	<a href="#">33.2275.0000</a> union nut, white, 8 mm for spare valve 33 2274 9000	-	-
6	33.2274.1000	Union nut M15x1 wh	33.2274.1000 union nut, white, 6 mm for spar valves 33 2273 9000, 33 2274 5000 and 33 2274 8000	-	-
7	33.2274.4000	Union nut M15x1 bk	33.2274.4000 union nut, black, 6 mm for spare valves 33 2273 9000, 33 2274 5000 and 33 2274 8000	-	-
7	<a href="#">33.2275.1000</a>	Coupling nut 8-M15x1 bk	<a href="#">33.2275.1000</a> union nut, black, 8 mm for spare valve 33 2274 9000	-	-
8	<a href="#">33.2273.8000</a>	Magnet body PPSU 21V DC 8W	<a href="#">33.2273.8000</a> magnet body small solenoid, for valve 33 2273 6000 and spare valve 33 2273 9000	-	-
10	<a href="#">33.2692.0000</a>	Proportional valve PPS 2/2 24V DC 1.5	<a href="#">33.2692.0000</a> proportional valve 2/2 NW1.5-10 bar	-	-
15	<a href="#">33.4011.6000</a>	N/O solenoid valve PA 2/2 24V DC 1.4	<a href="#">33.4011.6000</a> valve 2/2 NW1.4 stroke 1.0 NO spare part set	1	-
16			<a href="#">33.4002.1000</a> spring clip	-	-
17	065192	O-ring 3.68x1.78 VMQ 60 Sh A rd	<a href="#">33.7006.5192</a> O-ring, 3.68x1.78 MVQ	-	-
18			<a href="#">33.4001.5000</a> plug, hose	-	-
20			33.XXXX.XXXX Note: mixing valve hot water cold, jetvalve, vent valve steam	-	-



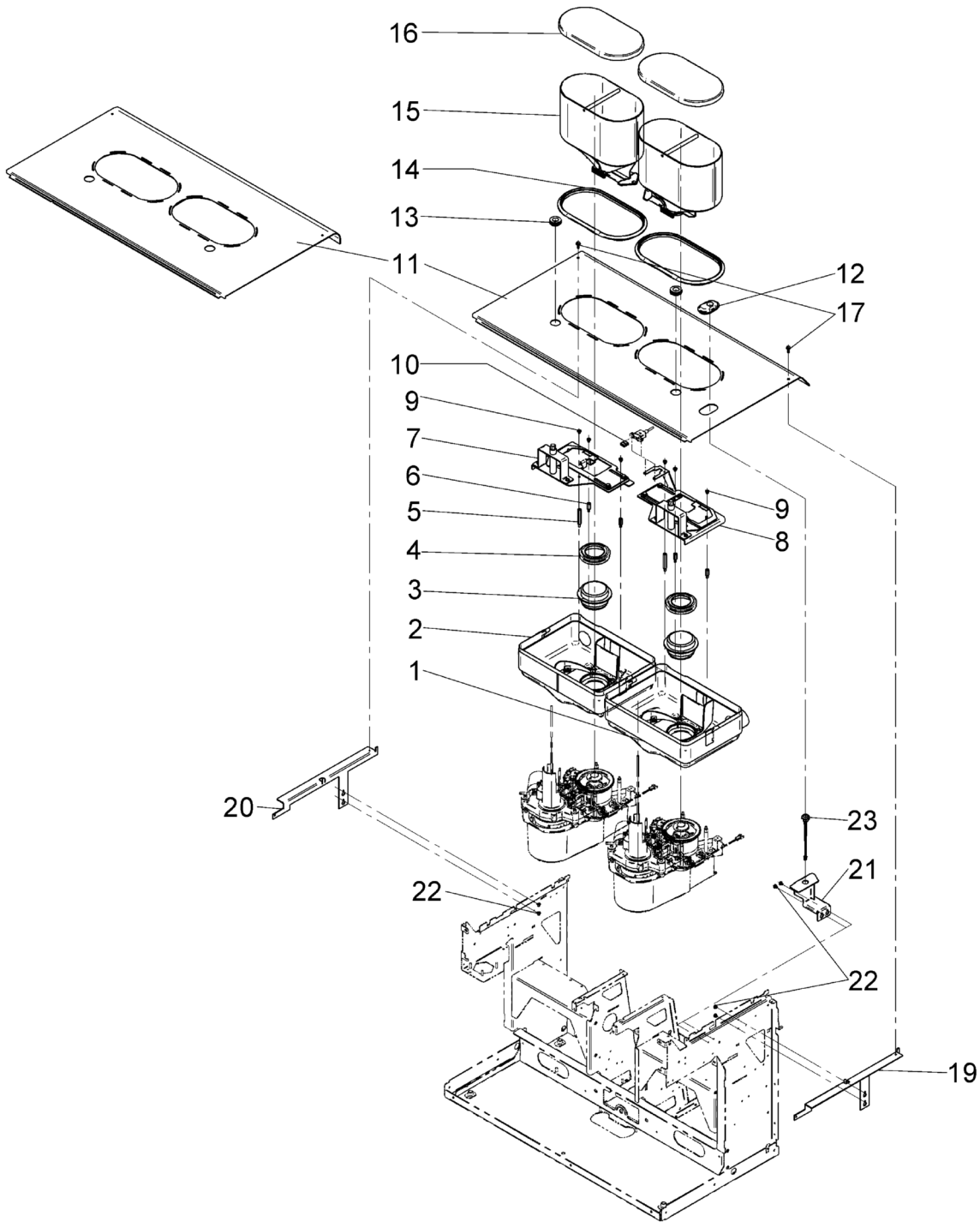
Pos.	Order no.	Designation	Information	EA1	EA2
2	<a href="#">33.2273.8000</a>	Magnet body PPSU 21V DC 8W	<a href="#">33.2273.8000</a> magnet body encased, small solenoid, for valve 33 2641 3100	-	-
3	33.2274.1000	Union nut M15x1 wh	33.2274.1000 union nut, white, 6 mm for spare valve 33 2694 0100	-	-
4	33.2274.2000	Compression ring 6/9.8x10 PPSU	33.2274.2000 clamping ring for 6mm connection, for spare valve 33 2694 0100	-	-
5	33.2274.0000	O-ring 6.07x1.78 EPDM 70 Sh A bk	33.2274.0000 O-ring, 6.07x1.78 EPDM for 8mm connection, for spare valve 33 2694 0100	-	-
6	<a href="#">33.4004.2000</a>	O-ring 7.6x2.4 EPDM 70 Sh A bk	<a href="#">33.4004.2000</a> O-ring, 7.60x2.40 EPDM	-	-
7	33.2274.4000	Union nut M15x1 bk	33.2274.4000 union nut, black, 6 mm for spare valve 33 2694 0100	-	-
8	<a href="#">33.2694.0100</a>	Valve body 2/2 2.5 PPSU	<a href="#">33.2694.0100</a> valve 2/2 i.d.2.5 linked, out no coil stroke 0.75 mm	1	-
10	<a href="#">33.2274.7000</a>	Solenoid 24V DC 9.5W not insulated	<a href="#">33.2274.7000</a> magnet body not encased, for valve 33 2641 4000	-	-
11	<a href="#">33.2275.1000</a>	Coupling nut 8-M15x1 bk	<a href="#">33.2275.1000</a> union nut, black, 8 mm for spare valve 33 2694 1000	-	-
12	<a href="#">33.2275.2000</a>	Compression ring 8/11.8x10 PPSU	<a href="#">33.2275.2000</a> clamping ring for 8mm connection, for spare valve 33 2694 1000	-	-
13	33.2275.3000	O-ring 8.07x1.78 EPDM 70 Sh A bk	33.2275.3000 O-ring, 8.07x1.78 EPDM for 8mm connection, for spare valve 33 2694 1000	-	-
14	<a href="#">33.2275.0000</a>	Coupling nut 8-M15x1 wh	<a href="#">33.2275.0000</a> union nut, white, 8 mm for spare valve 33 2694 1000	-	-
15	<a href="#">33.2694.1000</a>	Valve body 2/2 4.5 PPSU	<a href="#">33.2694.1000</a> valve 2/2 i.d.4.5 linked, in no coil stroke 1.2 mm	1	-
16	<a href="#">33.2641.5000</a>	Blind plug ø8x11 PPSU	<a href="#">33.2641.5000</a> locking stopper	-	-
A	<a href="#">33.2894.9000</a>	Valve block 3-line w/o magnet	<a href="#">33.2894.9000</a> valve block, compl. spare parts assembly, linkable valves	-	-



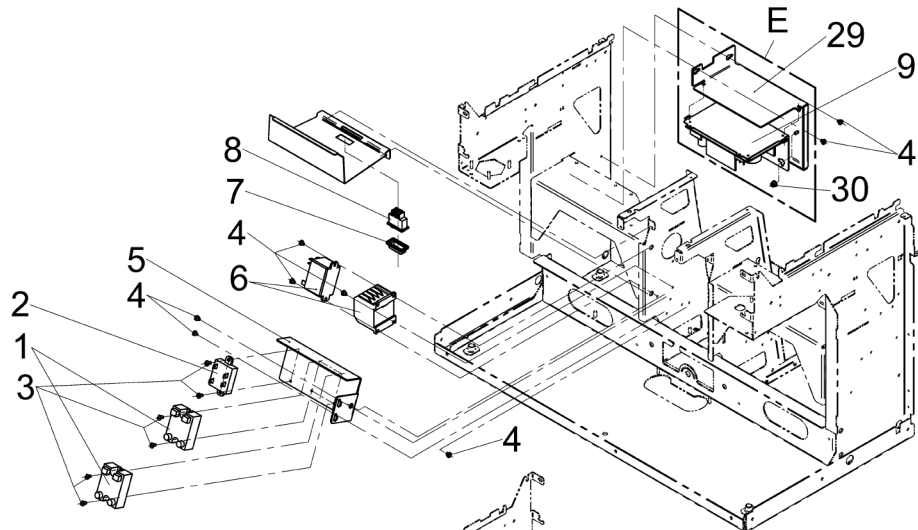
Pos.	Order no.	Designation	Information	EA1	EA2
2			33.2614.7200 RDA-Modul-m.Licenc_3G for installation	-	-
3	33.2617.1000	Switched-mode pow.supp. 85-264V AC 12V D	33.2617.1000 switching power supply 12 V, 25 W	-	-
5	00.0047.3355	Oval head scr. PH M4x4 Inox	00.0047.3355 pan head screw ISO 7045-M 4x 4-1.4301-H	-	-
6			00.0047.3312 pan head screw ISO 7045-M 3x 4-A2-H	-	-
7	00.0047.3330	Pan head scr. PH M3x30 Inox	00.0047.3330 pan head screw ISO 7045-M 3x30-1.4301-H	-	-
8			33.2618.0000 cable set, power supply 12 V, RDA-module	-	-
10	00.0047.3357	Oval head scr. PH M4x5 Inox	00.0047.3357 pan head screw ISO 7045-M 4x 5-A2-H-Spv.	-	-
11	00.0047.3361	Oval head scr. PH M4x8 Inox	00.0047.3361 pan head screw ISO 7045-M 4x 8-1.4301-H	-	-
12	33.4220.9000	Telemetry module CM Gateway EU	33.4220.9000 telemetry module, EU	-	-
12	33.4220.9100	Telemetry module CM Gateway JP	33.4220.9100 telemetry module, JP	-	-
12	33.4220.9200	Telemetry module CM Gateway US	33.4220.9200 telemetry module, US	-	-
12	33.4220.9400	Telemetry module CM Gateway AU	33.4220.9400 telemetry module, AU	-	-
12	33.4220.9600	Telemetry module CM Gateway RU	33.4220.9600 telemetry module, RU	-	-
99			33.4016.8000 cable set, RDA remote query RDA 5500	-	-
99	33.2494.8200	Contr. cable 8x0.15mm <sup>2</sup> RJ45-RJ45 0.8m gn	33.2494.8200 cable network 800mm	-	-
99			33.4239.7000 external adhesive antenna CM-Gateway	-	-
99			33.4243.8000 antenna, telemetry module	-	-
99			33.4243.9000 antenna, telemetry module	-	-



Pos.	Order no.	Designation	Information	EA1	EA2
3	33.7007.4900	Handle portafilter 1 groove	33.7007.4900 handle	-	-
4			00.0047.3414 pan head screw ISO 7045-M 6x20-1.4301-H	-	-
5	33.7007.4868	Lid portafilter handle bk	33.7007.4868 cap black	-	-
5	33.7007.4898	Lid handle portafilter rd	33.7007.4898 cap red	-	-
5	33.7007.4899	Lid handle portafilter wh	33.7007.4899 cap white	-	-
5	33.4242.5000	Lid handle portafilter bk S	33.4242.5000 cap, black, S for DD	-	-
5	33.4242.5100	Lid handle portafilter bk M	33.4242.5100 cap, black, M for DD	-	-
5	33.4242.5200	Lid handle portafilter bk L	33.4242.5200 cap, black, L for DD	-	-
6	33.4062.6000	O-ring 9x1.5 FKM 75 Sh A gn	33.4062.6000 O-ring, 2.20x1.00 EPDM	-	-
7			33.4072.6000 screw fastening torque 3 Nm	-	-
8	33.2672.3300	Portafilter dual outlet	33.2672.3300 spout	-	-
9	33.2690.0200	Portafilter single outlet	33.2690.0200 spout	-	-
10	33.2681.3000	Insulating insert portafilter	33.2681.3000 insulation insert	-	-
11	33.2672.5000	Sieve holder ring	33.2672.5000 filter retaining ring	-	-
12	33.2672.6000	Brewing sieve double 16g	33.2672.6000 brewing sieve	-	-
13	33.2672.7000	Brewing sieve single 11g	33.2672.7000 brewing sieve	-	-
14	33.2684.0000	Blind sieve	33.2684.0000 blind sieve	-	-
15	33.4092.5000	Brewing sieve triple 21g	33.4092.5000 brewing sieve	-	-
17	33.7007.4901	Handle portafilter 2 grooves	33.7007.4901 handle, portafilter	-	-
18	33.7007.4902	Handle portafilter 3 grooves	33.7007.4902 handle, portafilter	-	-
A	33.7997.4870	Portafilter double 2-pc outlet cpl.	33.7997.4870 portafilter, 2 spouts, double, compl.	-	-
B	33.7997.4866	Portafilter single 1-pc outlet cpl.	33.7997.4866 portafilter, 1 spouts, single, compl.	-	-
C	33.7997.4878	Portafilter double 1-pc outlet cpl.	33.7997.4878 portafilter, 1 spouts, double, compl.	-	-
D	33.7997.4876	Portafilter triple 2-pc outlet cpl.	33.7997.4876 portafilter, 2 spouts, triple, compl.	-	-

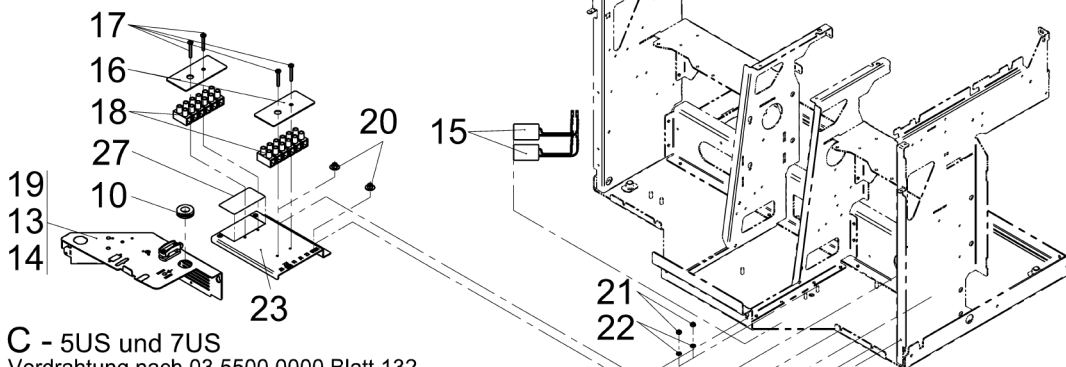


Pos.	Order no.	Designation	Information	EA1	EA2
1			33.2924.6099 bean hopper, right spare part	-	-
2			33.2924.5099 bean hopper, left spare part	-	-
3			33.4220.0000 distance-piece-grinder	-	-
4	33.2642.0000	Sealing ring grinder	33.2642.0000 reducing bush	-	-
5	33.2270.7000	Bolt	33.2270.7000 spacer bolt	-	-
6			33.2655.1000 spacer bolt	-	-
7			33.2941.8099 lock bean container left spare part	-	-
8			33.2941.9099 lock bean container right spare part	-	-
9	00.0047.3357	Oval head scr. PH M4x5 Inox	00.0047.3357 pan head screw ISO 7045-M 4x 5-A2-H-Spv.	-	-
10			33.4224.4000 Cap USB-A	-	-
11			33.2836.0000 machine top cover, compl.	-	-
11			33.2836.0100 machine top cover, compl.	-	-
13			33.2375.3000 rubber funnel	-	-
14			33.4219.9000 moulded seal container condition	-	-
15			33.2911.8199 bean hopper, large, compl. spare part	-	-
16			33.4022.7200 Lid large stainless steel without lock	-	-
17			33.4224.9000 screw M4x8 USPH	-	-
18			33.4225.3000 buffer	-	-
22	00.0047.3357	Oval head scr. PH M4x5 Inox	00.0047.3357 pan head screw ISO 7045-M 4x 5-A2-H-Spv.	-	-



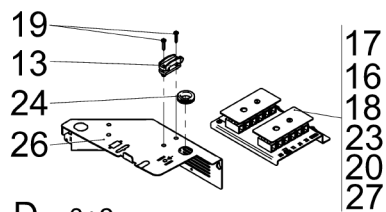
**B - 5 / 50N / 4J / 9**

Verdrahtung nach 03 5500 0000 Blatt 132

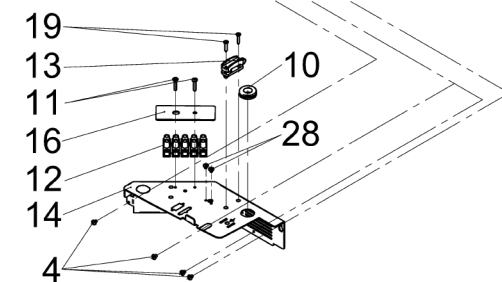


**C - 5US und 7US**

Verdrahtung nach 03 5500 0000 Blatt 132

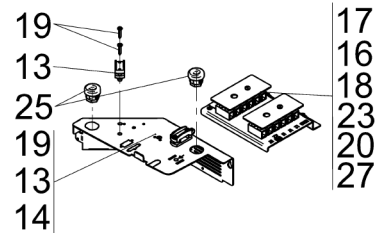


Verdrahtung nach 03 5500 0000 Blatt 131

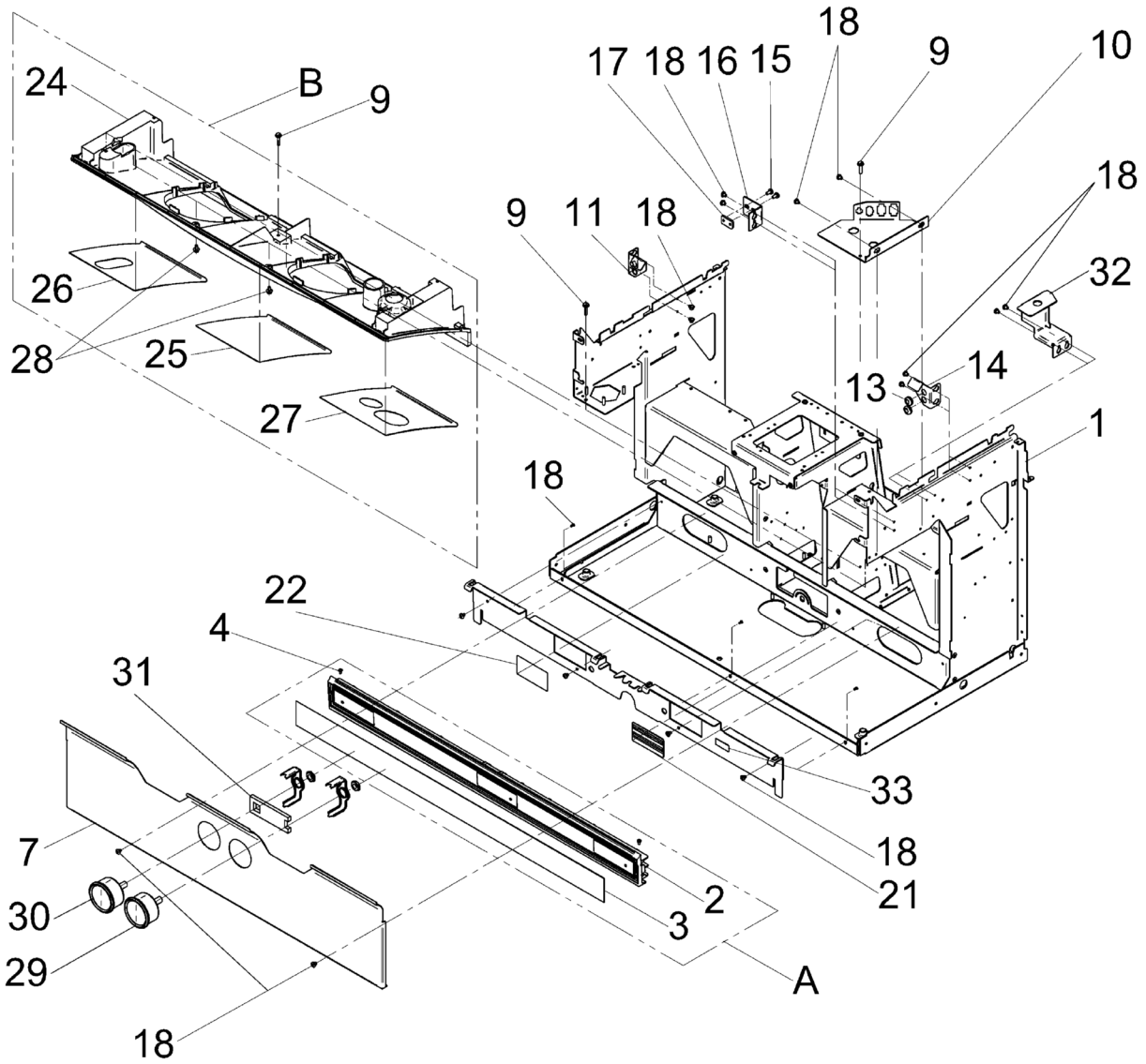


**D - 3+2**

Verdrahtung nach 03 5500 0000 Blatt 132



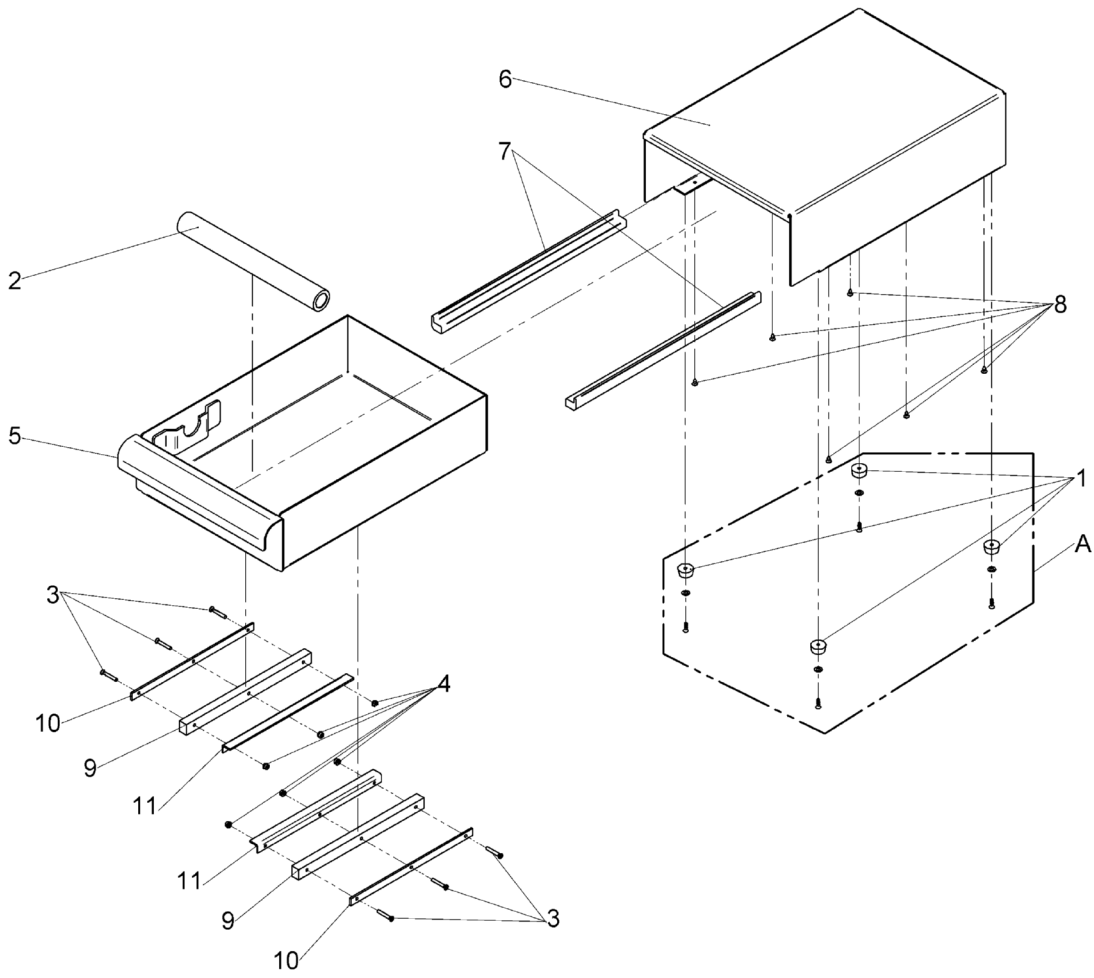
Pos.	Order no.	Designation	Information	EA1	EA2
1	33.9382.0000		33.9382.0000 solid state relay	-	1
2	33.2025.8000		33.2025.8000 solid state relay	-	1
6	33.2384.4000	Power relay 230V AC 30A	33.2384.4000 power relay 30A 6.0 kW	-	1
6	33.4013.9000	Schütz 240V AC 16A 400V AC 13kW S	33.4013.9000 contactor, 240 V 9.0 kW	-	-
7	33.2630.7000	Protective cap toggle switch IP65	33.2630.7000 safety cap	-	-
8	33.1659.3000		33.1659.3000 button	-	-
10			33.2375.3000 rubber funnel with 9.0 and 6.0 model, USA	-	-
12			33.2069.1000 plug strip	-	-
13			33.0589.7000 clamp, lid	-	-
15	33.2200.1000	Capacitor 0.47uF 440V AC	33.2200.1000 interference suppression element	-	-
17	00.0047.3371	Oval head scr. PH M4x28 Inox	00.0047.3371 pan head screw ISO 7045-M 4x28-1.4301-H	-	-
19			00.0047.1912 Sh.metal screw ISO 7049-ST3,5x19-C-H-1.4	-	-
21	00.0047.2049	Hex nut M4 Inox	00.0047.2049 hexagonnut ISO 4032-M 4-1.4301	-	-
22	00.0047.2251		00.0047.2251 tooth lock washer DIN 6797-A 4,3-1.4300	-	-
24			33.2507.5000 rubber funnel with 5.5 kW, USA	-	-
29			33.4115.1000 angle power supply, aluminum	-	-
30			00.0047.2103 Comby-SHB-nut-M4-Selbstsichernd-A2K	-	-
B			33.XXXX.XXXX Note: LST Leistung, 5-1/N/PE 220-240V 5 ON -3/PE 220-240V, 4J-2/PE 200V Japan, 9-3/N/PE 380-415V	-	-
B			33.XXXX.XXXX Note:	-	-
B			33.XXXX.XXXX Note:	-	-
B			33.XXXX.XXXX Note:	-	-
E	33.2628.3199	Power supply 115/230VAC 5/24/30VDC+angel	33.2628.3199 power supply, with angle, compl. 120 V/230 V	-	-



<b>Pos.</b>	<b>Order no.</b>	<b>Designation</b>	<b>Information</b>	<b>EA1</b>	<b>EA2</b>
13	33.1473.8000	Cable Bushing	33.1473.8000 <i>rubber funnel</i>	-	-
29	33.7007.4885	Manometer 2.5bar	33.7007.4885	-	-
30	33.7007.4884	Manometer 16bar	33.7007.4884	-	-
31			33.4032.7000 <i>insulating board</i>	-	-
A	<a href="#">33.7007.4863</a>	Front cover drip tray cpl.	<a href="#">33.7007.4863</a> <i>cover, compl.</i>	-	-

keine  
Illustration

Pos.	Order no.	Designation	Information	EA1	EA2
1	33.3325.2000	Serial interface retrofit set SB	33.3325.2000 retrofit kit serial interface without wa	-	-
2	33.3322.1000	Retrof. kit RDA module 1500S 5000S espr.	33.3322.1000 retrofit kit, RDA-module for 1900 for 1500/5000S/espresso	-	-
3			33.3324.3000	-	-
5			33.3328.4000	-	-
6	33.3328.8000	Waste water outlet funnel	33.3328.8000 Retrofit Kit Drip Tray Drain Espresso	-	-
7			33.3329.1000 Retrofit kit feet 111 mm Barista DD	-	-
8			33.3329.2000 retrofit kit, steam wand, SAG-Barista-DD	-	-
9			33.3330.6000 retrofit kit	-	-
10			33.3331.0000 Retrofit Kit, CM Gateway, EU	-	-
10			33.3331.0100 Retrofit Kit, CM Gateway, JP	-	-
10			33.3331.0200 Retrofit Kit, CM Gateway, US	-	-
10			33.3331.0400 Retrofit Kit, CM Gateway, AU	-	-
10			33.3331.0600 Nachrüstsatz, CM Gateway, RU	-	-



Pos.	Order no.	Designation	Information	EA1	EA2
1			33.4116.1100 screw base	-	-
2	33.4080.3200	Knock-out bar grounds container	33.4080.3200 knock rod espresso compl.	-	-
3			00.0047.3109 counter sunk screw ISO 7046-2-M 3x20-1.4	-	-
4	00.0047.2097	Hex nut Iso 10511-M3-1.4301	00.0047.2097 hexagonnut ISO 10511-M 3-1.4301	-	-
A			33.2803.6000 set of 4 feet and screws	-	-