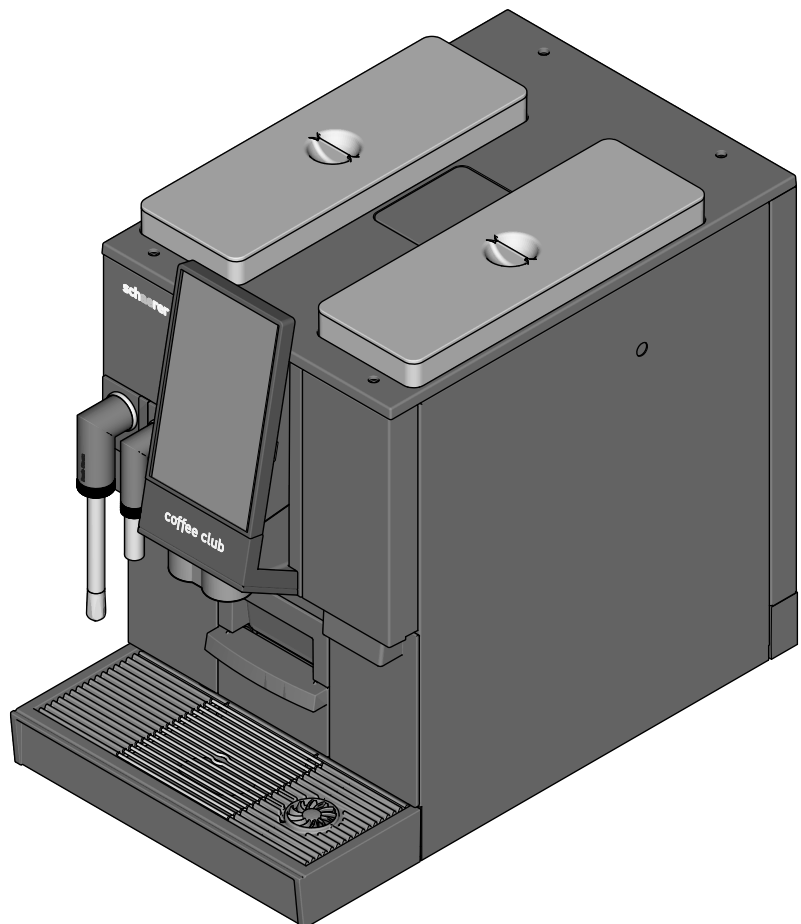


Schaerer Coffee Club

Spare Parts Catalogue

14.04.2020



Published by

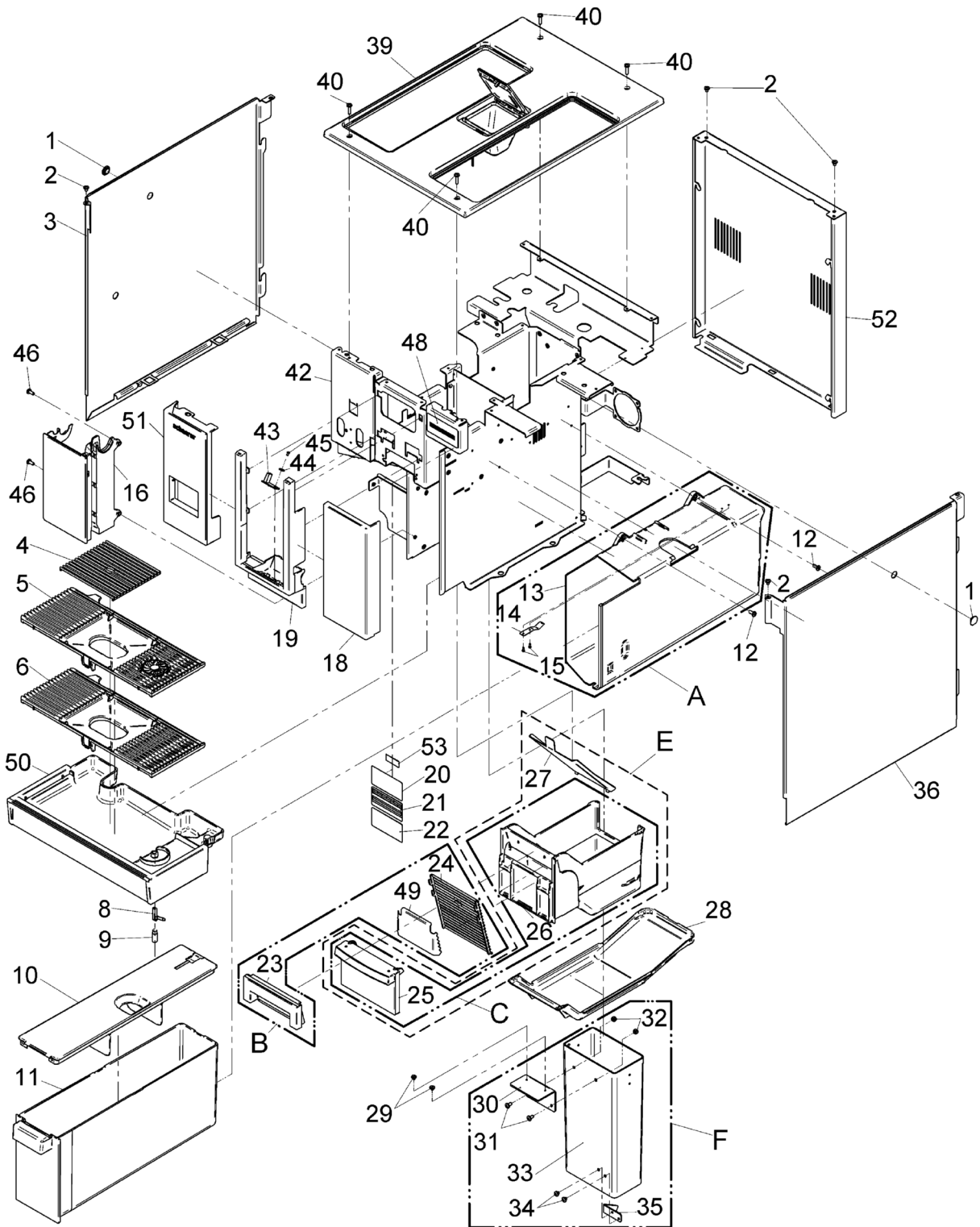
Schaerer Ltd.
CH-4528 Zuchwil

Copyright by ©

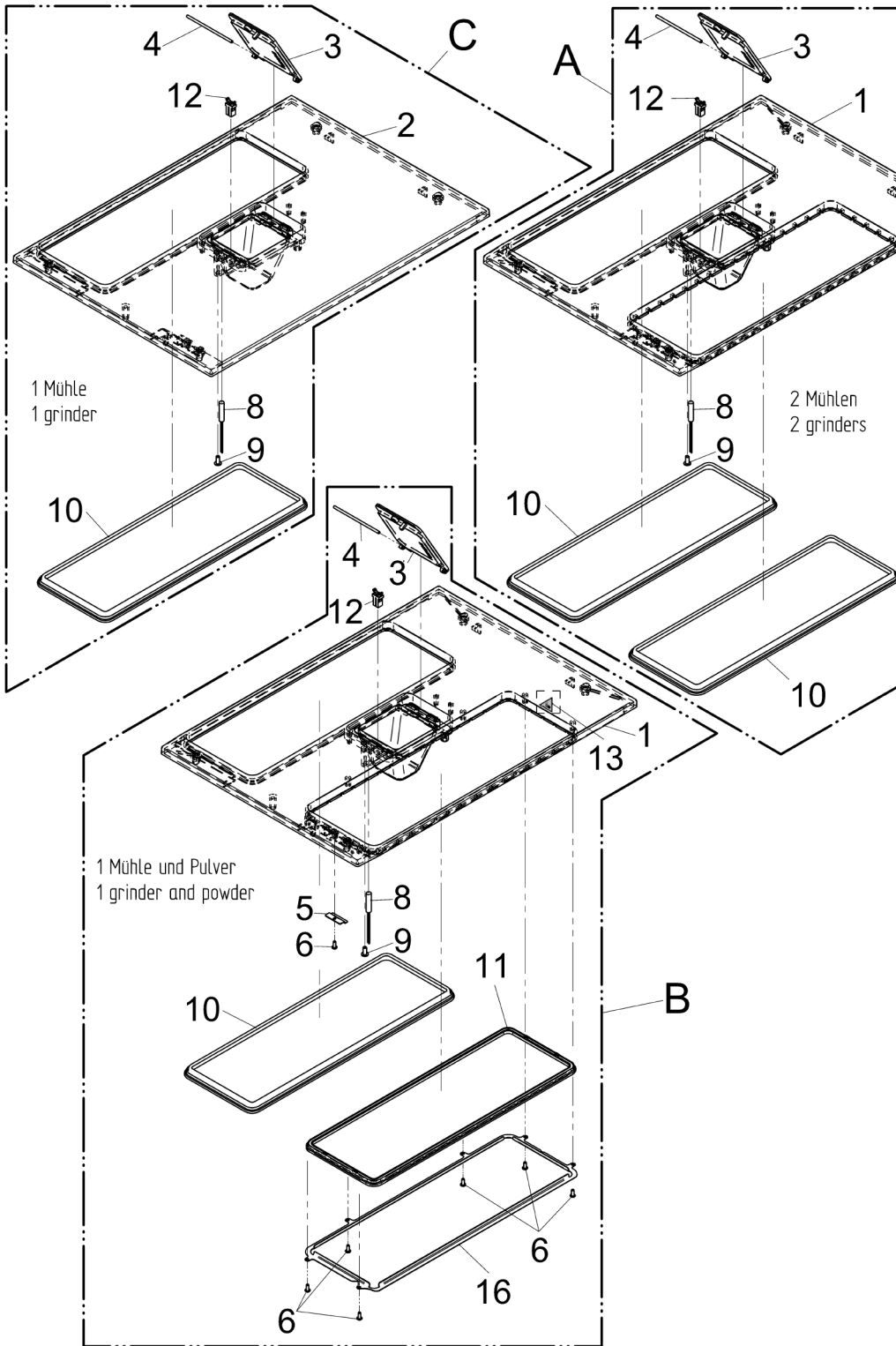
Schaerer Ltd.
CH-4528 Zuchwil

This document is copyrighted. All rights are reserved. The reproduction, distribution, transmission via electronic systems or translation of this document in another language is not permitted without the written consent of Schaerer Ltd. This applies to the entire document, as well as to individual excerpts thereof. The contents of the document are based on the most current data available at the time of printing. Schaerer Ltd reserves the right to make changes at any time without further notice. All pictures, illustrations and display messages in this [manual](#) serve only as examples. Due to the wide variety of possible options, a particular machine may differ from the devices depicted here. Schaerer Ltd is only liable for the contents of the original German document including the German section of the online spare parts catalogue.

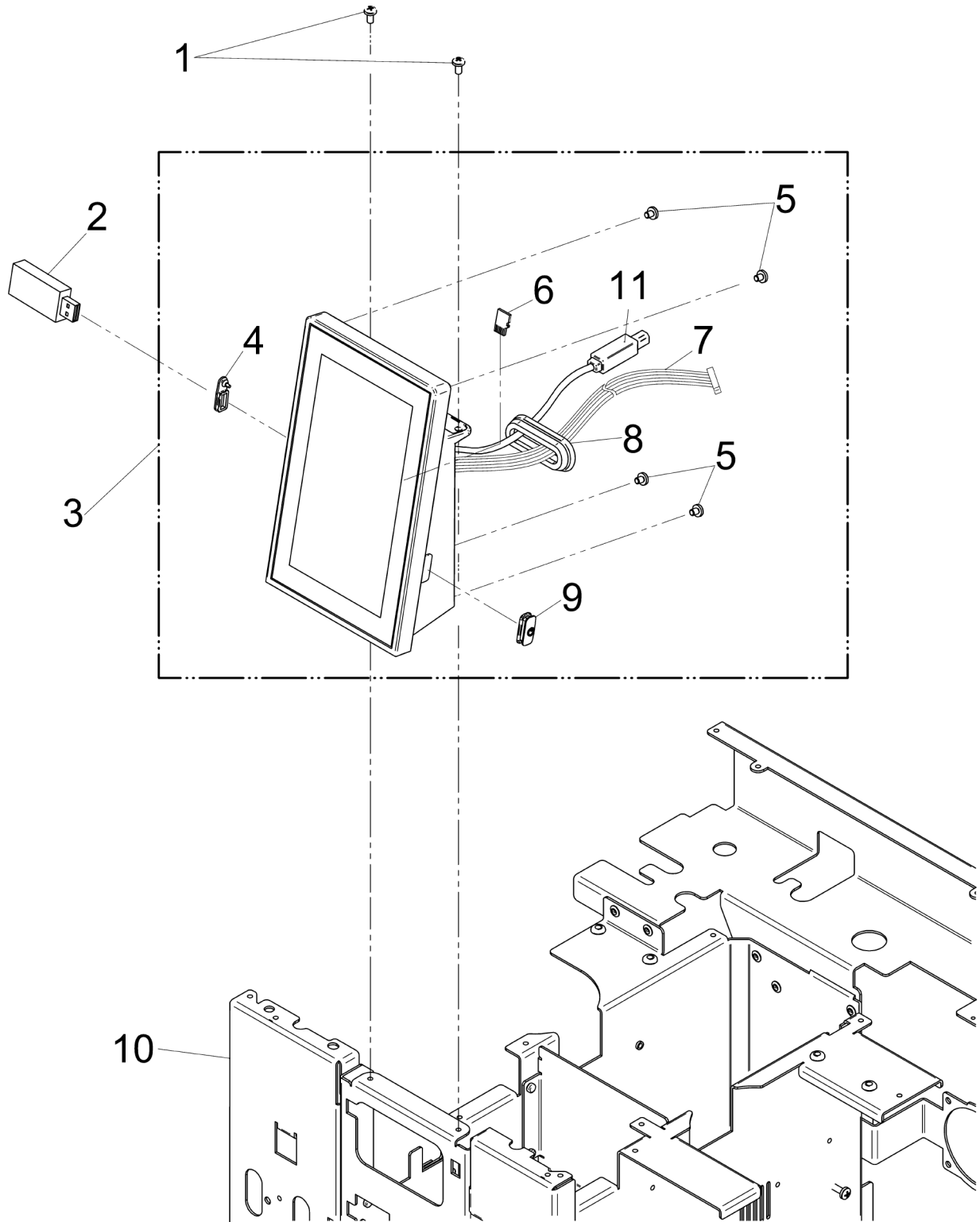
Designation	Page
Outside view	2
Top housing	4
User panel	6
Mounting parts left	8
Mounting parts right	10
Mains water supply	12
Internal water tank	14
Solenoid valves	16
Solenoid valves connected	18
Hot water boiler	20
Steam boiler	22
Brewing unit	24
Brewing unit complete	26
grinders	28
Beverage outlet	30
Bean hopper	34
Powder container	36
Powder container Twin Choc	38
Powder container extension Twin Choc	40
Bean hopper extension	42
Powder container extension	44
Base frame	46
USA parts	48
Retrofitting sets	50
Coin tester	52
Coin changer	54
Card reader	56
Side cooling unit 3.5l	58
Under-machine cooling unit	60



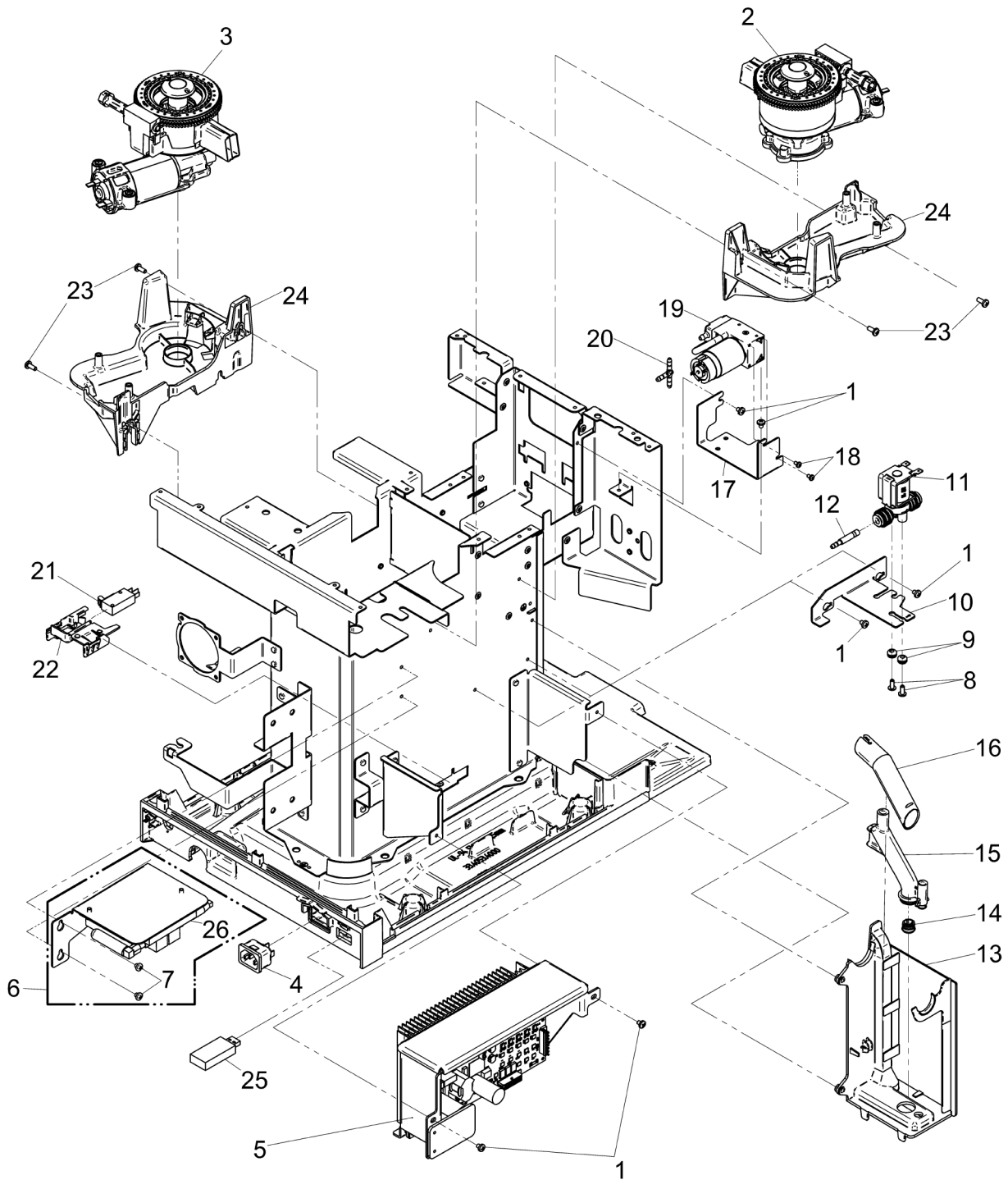
Pos.	Order no.	Designation	Information	EA1	EA2
1	33.2486.9100	Cover cap 12x2.8 Silikon bk	33.2486.9100 Abdeckkappe-12mm	-	-
2	00.0047.3357	Oval head scr. PH M4x5 Inox	00.0047.3357 pan head screw ISO 7045-M 4x 5-A2-H-Spv. torque 3.4Nm	-	-
3	33.4160.5000	Left housing SCClub bk	33.4160.5000	-	-
4	33.4053.1000	Drip grid insert	33.4053.1000 inlay, drip tray grid	1	-
5	33.4051.6000	Steam IT drip grid	33.4051.6000 drip grid Steamjet	1	-
6	33.4051.6100	Drip grid	33.4051.6100 drip grid	-	-
8	33.4057.0000	Steam cup warmer steam nozzle	33.4057.0000 steam nozzle	-	-
9	33.4102.6000	Steam jet locking bolt	33.4102.6000 bolt, lock Steamjet	-	-
10	33.4059.1000	Lid drinking water tank SCClub	33.4059.1000 lid	-	-
11	33.4057.9000	Drinking water tank SCClub	33.4057.9000 water tank	1	-
12	00.0047.3363	Oval head scr. PH M4x10 Inox	00.0047.3363 pan head screw ISO 7045-M 4x10-1.4301-H torque 2.1 Nm	-	-
16	33.4052.0000	Bottom cover left	33.4052.0000 cover panel, left, bottom	-	-
18			33.4226.3100 cover panel, right, top	-	-
19	33.2914.8000	Centre cover cpl.	33.2914.8000 cover panel, center	-	-
27	33.4094.4000	UC grounds disposal chute	33.4094.4000 angle only for grounds disposal through counter	-	-
28	33.4091.8000	Insert unit base grounds container	33.4091.8000 dirt tray	-	-
28	33.4091.8100	Frame bottom insert grounds disposal	33.4091.8100 dirt tray, disp. through counter	-	-
29	00.0047.1250	Pan head screw slot g.K M3x4 Inox	00.0047.1250 pan head screw DIN 921-M 3x 4-1.4301 only for grounds disposal through counter	-	-
30	33.2657.6000	Grounds disposal holder	33.2657.6000 angle only for grounds disposal through counter	-	-
31	00.0047.3363	Oval head scr. PH M4x10 Inox	00.0047.3363 pan head screw ISO 7045-M 4x10-1.4301-H only for grounds disposal through counter	-	-
32	00.0047.2098	Self-locking nut M4 Inox+PA	00.0047.2098 hexagonnut ISO 10511-M 4-1.4301 only for grounds disposal through counter	-	-
33	33.1283.1100	Pipe under-counter grounds disp.	33.1283.1100 pipe only for grounds disposal through counter	-	-
34	00.0047.3355	Oval head scr. PH M4x4 Inox	00.0047.3355 pan head screw ISO 7045-M 4x 4-1.4301-H only for grounds disposal through counter	-	-
35	33.4088.9000	Finger protection grounds disposal	33.4088.9000 angle only for grounds disposal through counter, only USA/Canada	-	-
36	33.4160.6000	Right housing SCClub bk	33.4160.6000	-	-
40	00.0047.3366	Oval head scr. PH M4x16 Inox	00.0047.3366 pan head screw ISO 7045-M 4x16-1.4301-H-D torque 0.9 Nm	-	-
43	33.2880.2000	Lighting LED WMF 1200	33.2880.2000 illumination, LED	-	-
44	00.0047.2193	Washer body 3.2/9x0.8 Inox	00.0047.2193 washer ISO 7093-1-3-200HV-1.4300	-	-
45	00.0047.3656	PT oval head scr. PH 25x5 Inox	00.0047.3656 EJOT PT-screw KA 25x 5-WN 1412-A2 torque 0.15 Nm	-	-
46	00.0047.3363	Oval head scr. PH M4x10 Inox	00.0047.3363 pan head screw ISO 7045-M 4x10-1.4301-H torque 1 Nm	-	-
49	33.2939.2000	Cup platform handle heat protection	33.2939.2000 metal guard	-	-
50	33.4135.9000	Tropfschale sw	33.4135.9000	1	-
51			33.4226.2100 cover panel, left, top	-	-
51			33.4226.2200 cover panel, left, top without logo	-	-
52	33.4135.8000	Rear housing SCClub bk	33.4135.8000 rear cover bonding surface must be cleaned and free of grease. Surface tension min. 38mN/m	-	-
A	33.2915.1000	Drinking water tank shaft	33.2915.1000 chute, water tank, compl.	-	-
B	33.2915.3000	Cup platform cpl.	33.2915.3000 handle, drip mesh	1	-
C	33.2915.2000	Grounds container cpl.	33.2915.2000 grounds container	1	-
E	33.2916.2000	Grounds container grounds disposal	33.2916.2000 grounds container, disp. counter, compl.	-	-
F	33.2916.3000	Grounds pass-through shaft, cpl.	33.2916.3000 chute, disposal through counter	-	-



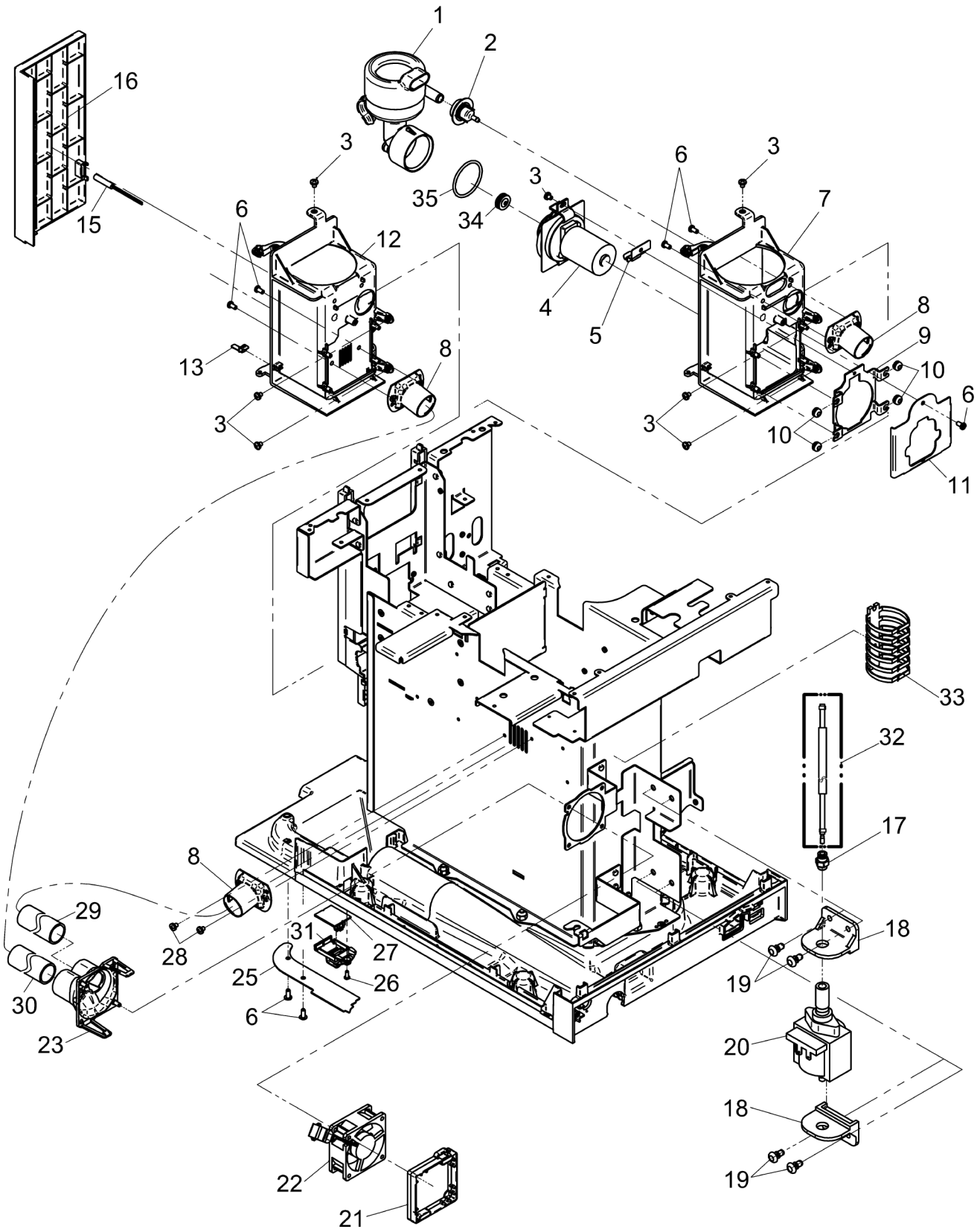
Pos.	Order no.	Designation	Information	EA1	EA2
1	33.4051.5000	Top housing 2M SCClub	33.4051.5000 top cover version 1 grinder and powder	-	-
2	33.4051.5100	Top housing 1M SCClub	33.4051.5100 top cover, without hole, right version w/ 1 grinder	-	-
3	33.4052.2000	Lid manual inlet	33.4052.2000 manual insert lid	-	-
4	33.2271.1000	Shaft 3x74 Inox	33.2271.1000 shaft	-	-
5	33.4099.6000	Slide plate	33.4099.6000 sliding plate	-	-
6	00.0047.3640	PT oval head scr. PH washer 30x8 Inox	00.0047.3640 EJOT PT-screw KA 30x 8-WN 1411-A2	-	-
8	33.2537.6000	Inductive proximity sensor 180V AC	33.2537.6000 reed sensor	1	-
9	00.0047.3653	PT oval head scr. PH washer 40x10 Inox	00.0047.3653 EJOT PT-screw KA 40x10 WN 1411-A2	-	-
10	33.4083.3000	Profile seal bean hopper	33.4083.3000 seal, bean hopper grinders	-	-
11	33.4083.5000	Profile seal powder container	33.4083.5000 seal, powder hopper	-	-
12	33.4058.0000	Closure manual inlet	33.4058.0000 normally open contact	1	-
13			33.2442.4000 Klebeschild Warnung vor Handverletzung	-	-
16			33.4099.6100 sliding frame from Mod.2 on	-	-
A	33.2916.8000	Top housing 2M cpl.	33.2916.8000 machine top cover, compl. for 2 grinders	-	-
B	33.2916.9000	Top housing 1M P SCClub	33.2916.9000 machine top cover, compl. for 1 grinder and powder	-	-
C	33.2917.0000	Top housing 1M cpl.	33.2917.0000 machine top cover, 1 grinder	-	-



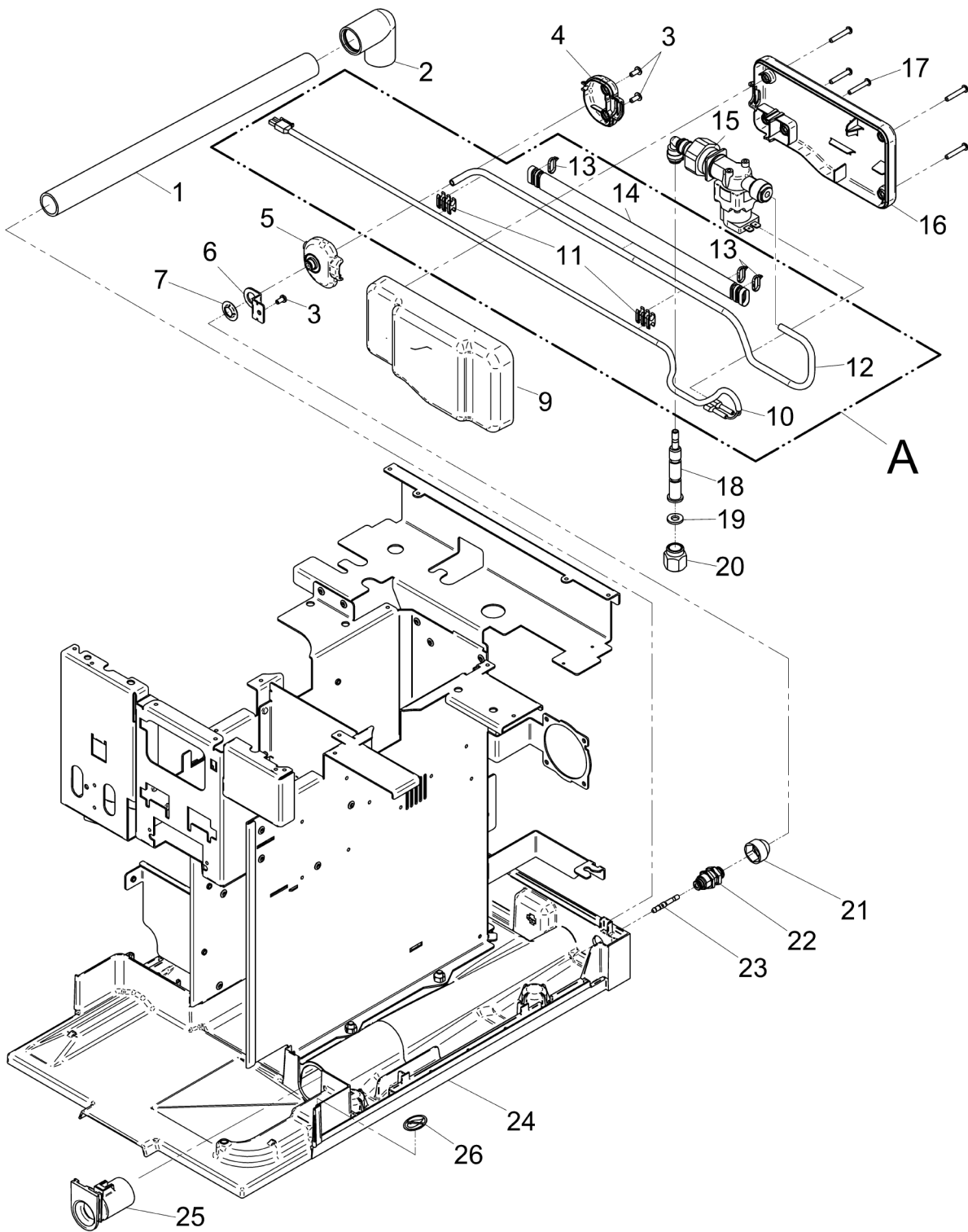
Pos.	Order no.	Designation	Information	EA1	EA2
1	00.0047.3363	Oval head scr. PH M4x10 Inox	00.0047.3363 pan head screw ISO 7045-M 4x10-1.4301-H tightening torque 1.6 Nm	-	-
2	33.2492.5000	USB stick 16GB	33.2492.5000 USB stick WMF Coffee Machines	-	-
3			33.4066.1399 operating panel, USA	-	-
3	33.4066.1299	User panel SCClub	33.4066.1299 operating panel, standard	1	-
4	33.4157.1000	USB connection cover	33.4157.1000 rubber grommet, USB cover	-	-
5	33.4157.4000	Screw user panel M4x6	33.4157.4000 screw, operating panel, M4x6	-	-
6	33.4157.3000	Micro SD card	33.4157.3000 micro SD card	-	-
7	33.4156.9000	Ribbon cable user panel	33.4156.9000 ribbon cable	-	-
8	33.4157.0000	Cable grommet 50/57x16/23x2.5 EPDM	33.4157.0000 rubber grommet, ribbon cable	-	-
9	33.4157.2000	Protective cap press switch	33.4157.2000 rubber grommet, switch	-	-
10			33.XXXX.XXXX Note: rack compl. see drawing base frame	-	-
11			33.4167.0000 cable, USB spare part	-	-



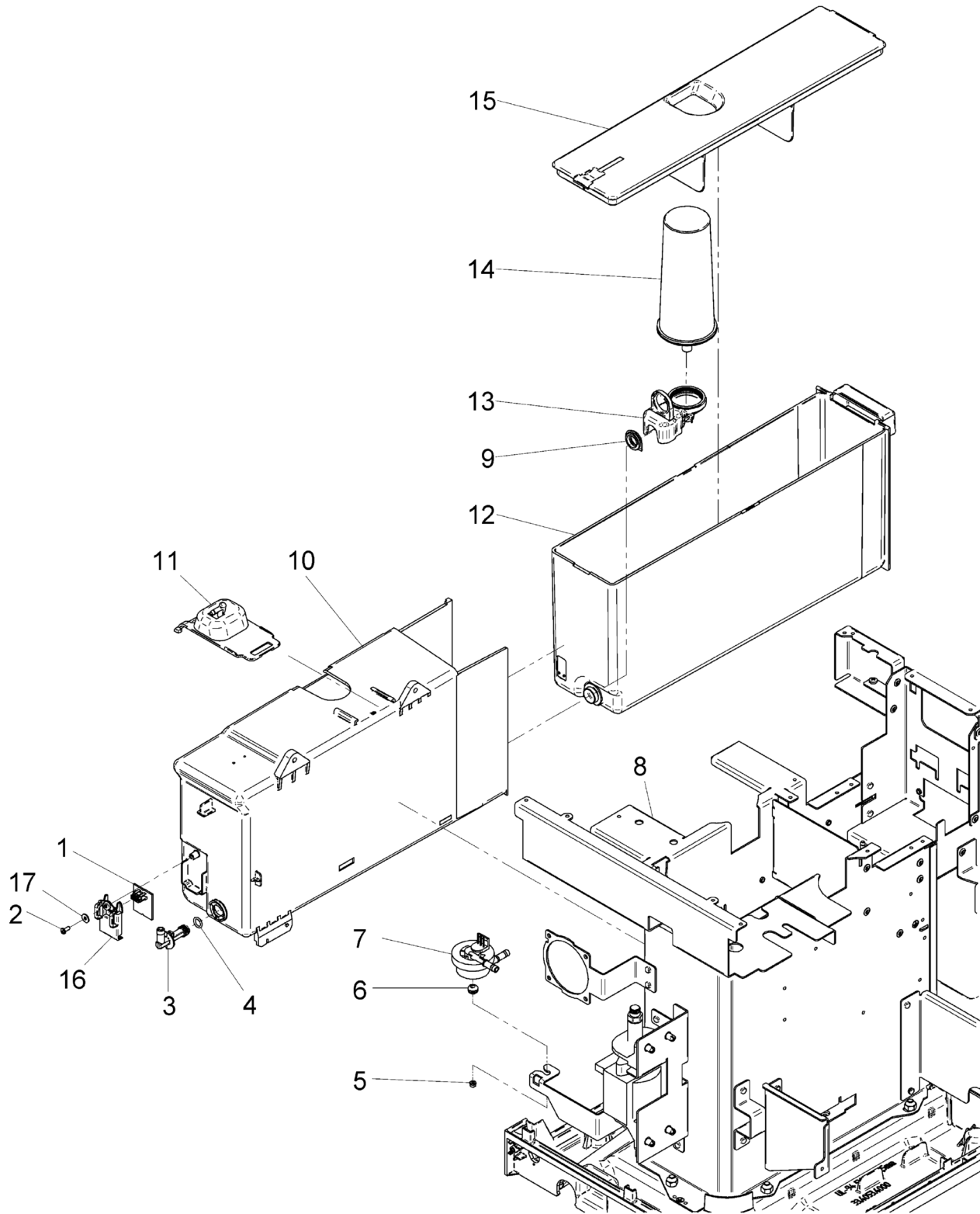
Pos.	Order no.	Designation	Information	EA1	EA2
1	00.0047.3356	Oval head scr. PH M4x5 Inox	00.0047.3356 pan head screw ISO 7045-M 4x 5-1.4301-H	-	-
4			33.2498.1100 low-power device plug	-	-
5	33.4066.0000	Power supply EU 230V AC 3/5/15/24V DC	33.4066.0000 power supply/power stage 230 V	1	-
5			33.4066.0100 power supply/power stage 115V	-	-
6			33.XXXX.XXXX Note: RDA Modul 1500S 5000S espresso see drawing retrofit kits 1100S	-	-
7	00.0047.3355	Oval head scr. PH M4x4 Inox	00.0047.3355 pan head screw ISO 7045-M 4x 4-1.4301-H	-	-
8	00.0047.3653	PT oval head scr. PH washer 40x10 Inox	00.0047.3653 EJOT PT-screw KA 40x10 WN 1411-A2	-	-
9	33.1499.9000	Cable grommet 4/9.5x1.6 PVC	33.1499.9000 rubber funnel	-	-
11			33.XXXX.XXXX Note: 2/2 way valve stroke 1,2mm, ND 2,5mm see drawing solenoid valve	-	-
12	33.4079.3000	Hose nipple 4-6 Inox	33.4079.3000 hose adapter	2	-
13			33.XXXX.XXXX Note: lower panel see drawing cover parts	-	-
14	33.2698.0000	Blanking plug 12.2/14x8	33.2698.0000 spout, condenser, insert	-	-
15	33.4091.3000	Hose guide support	33.4091.3000 release	-	-
16	33.4143.8000	Hose guide	33.4143.8000 pipe milk hose	-	-
18	00.0047.3316	Oval head scr. PH M3x6 Inox	00.0047.3316 pan head screw ISO 7045-M 3x 6-1.4301-H tightening torque 0.4 Nm, max. Info GDT	-	-
19	33.4145.3000	Air pump	33.4145.3000 air pump	1	-
20	33.4104.2000	T-sleeve 4-4-4 PPSU	33.4104.2000 hose coupling T	2	-
21	33.2217.2000	Microswitch roller 250V AC 5A Ö	33.2217.2000 micro switch	1	-
22	33.4059.3000	Holder microswitch	33.4059.3000 holder micro switch, grounds container	1	-
23	00.0047.3363	Oval head scr. PH M4x10 Inox	00.0047.3363 pan head screw ISO 7045-M 4x10-1.4301-H	-	-
24	33.4091.2000	Grinder holder	33.4091.2000 grinder holder	-	-
25			33.4113.3000 adapter, USB	-	-
26	33.4220.9000	Telemetry module CM Gateway EU	33.4220.9000 telemetry module, EU	-	-
26	33.4220.9100	Telemetry module CM Gateway JP	33.4220.9100 telemetry module, JP	-	-
26	33.4220.9200	Telemetry module CM Gateway US	33.4220.9200 telemetry module, US	-	-
26	33.4220.9400	Telemetry module CM Gateway AU	33.4220.9400 telemetry module, AU	-	-
26	33.4220.9600	Telemetry module CM Gateway RU	33.4220.9600 telemetry module, RU	-	-
99			33.4239.7000 external adhesive antenna CM-Gateway	-	-
99			33.4243.8000 antenna, telemetry module	-	-
99			33.4243.9000 antenna, telemetry module	-	-



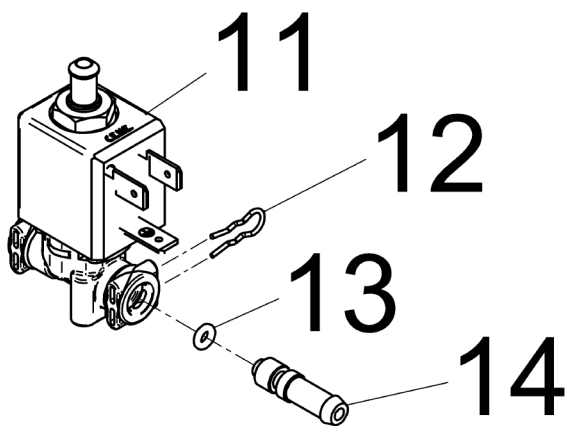
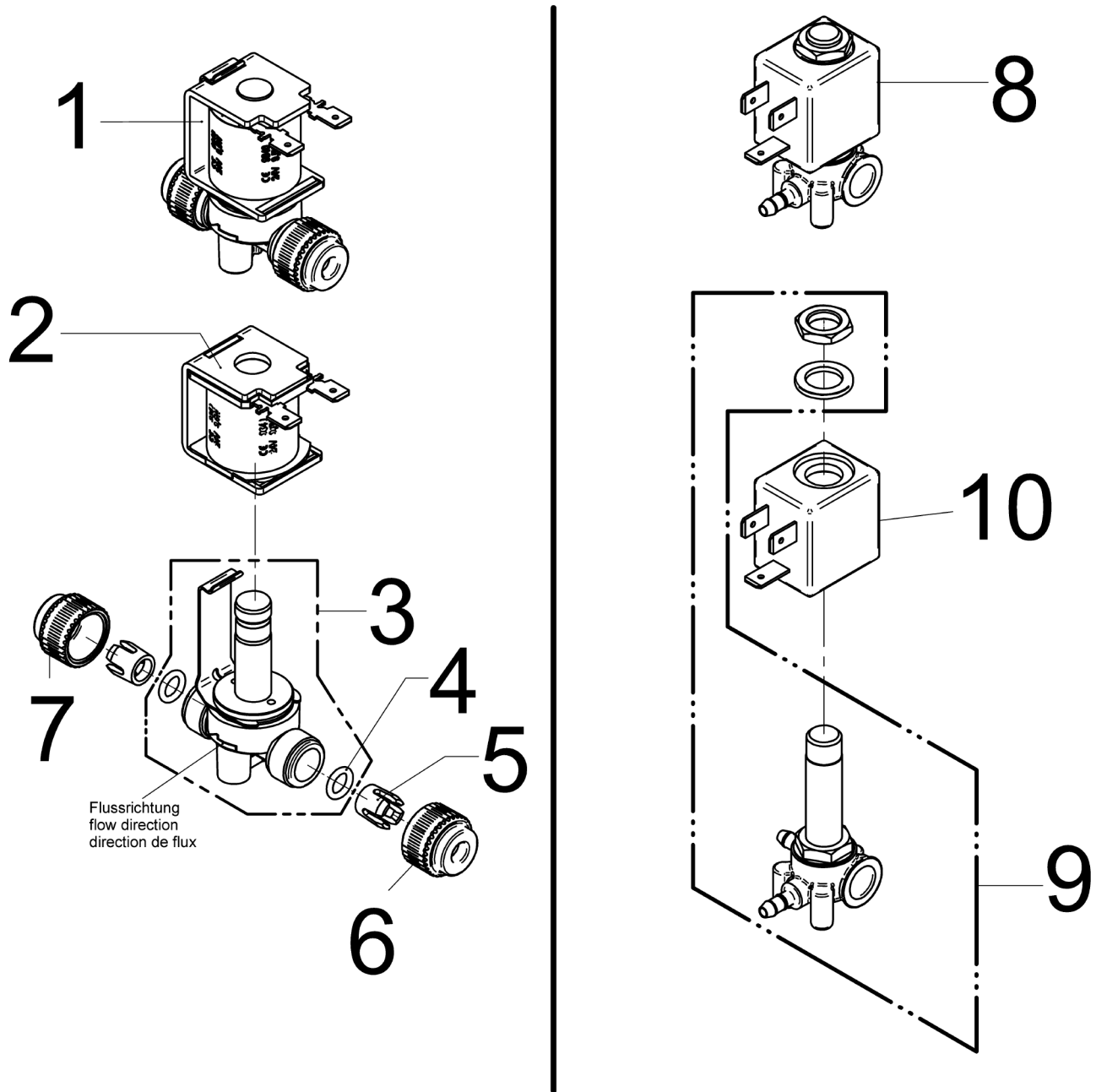
Pos.	Order no.	Designation	Information	EA1	EA2
1	33.4079.4000	Mixing cup cpl.	33.4079.4000 mixer bowl compl.	-	-
2	33.4079.5000	Hose fitting cpl.	33.4079.5000 hose connector	1	-
3	00.0047.3356	Oval head scr. PH M4x5 Inox	00.0047.3356 pan head screw ISO 7045-M 4x 5-1.4301-H fastening torque 1.7 Nm	-	-
4	33.2872.5000	Mixer motor cpl.	33.2872.5000 compl. mixer motor, compl.	1	-
5	33.2655.2000	Clamping plate mixing cup	33.2655.2000 plate, spring	-	-
6	00.0047.3653	PT oval head scr. PH washer 40x10 Inox	00.0047.3653 EJOT PT-screw KA 40x10 WN 1411-A2	-	-
7	33.4052.7000	Mixer holder	33.4052.7000 fastening mixer	-	-
8	33.4050.8000	Cover d25x25	33.4050.8000 cover ventilation	-	-
9	33.4081.5000	Holder mixer motor	33.4081.5000 angle mixer motor holder	-	-
10	33.1499.9000	Cable grommet 4/9.5x1.6 PVC	33.1499.9000 rubber funnel	5	-
11	33.4100.0000	Mixer motor fixation metal sheet	33.4100.0000 angle mounting plate, mixer motor	-	-
12	33.4052.7100	Holder for mixer dummy	33.4052.7100 mixer bowl no penetration	-	-
13	33.4085.3000	Bracket hose	33.4085.3000 angle hose holding-down clamp	-	-
15	33.2537.6000	Inductive proximity sensor 180V AC	33.2537.6000 reed sensor	1	-
16			33.XXXX.XXXX Note: upper panel right see drawing cover parts	-	-
17	33.2393.6000	Screw-in connection 4-G1/8 PPSU+O-ring	33.2393.6000 plug-in connection I 4-G1_8 fastening torque 1.75 Nm	1	-
18	33.2395.2000	Oscill. armature pump holder	33.2395.2000 holder, oscillation pump	-	-
19	33.2674.9000	Expanding rivet 6 Nylon bk	33.2674.9000 expanding rivet	-	-
20	33.7006.2160	Oscill. armature pump 24V DC 50/60Hz	33.7006.2160 oscillation pump, 24 V/50-60 Hz	1	-
21	33.4092.0000	Seal axial fan	33.4092.0000 seal, fan rear	-	-
22	33.2588.3000	Axial fan 60x60x25 24V 2500rpm	33.2588.3000 fan 24 V	1	-
23	33.4091.9000	Axial fan distributor	33.4091.9000 fan manifold front	-	-
25	33.4094.8000	Cover	33.4094.8000 plate, cover	-	-
26	00.0047.3640	PT oval head scr. PH washer 30x8 Inox	00.0047.3640 EJOT PT-screw KA 30x 8-WN 1411-A2 fastening torque 1.5 Nm	-	-
27	33.4066.2000	Capacitive combination sensor 5V DC	33.4066.2000 capacitive combo sensor	2	-
28	00.0047.3356	Oval head scr. PH M4x5 Inox	00.0047.3356 pan head screw ISO 7045-M 4x 5-1.4301-H fastening torque 1.5 Nm	-	-
29	00.0048.0042	Fluted hose 19/24 PVC gr	00.0048.0042 discharge hose DN 19 PP grey 180 mm long	-	-
30	00.0048.0042	Fluted hose 19/24 PVC gr	00.0048.0042 discharge hose DN 19 PP grey 310 mm long	-	-
31	33.4096.1000	Bracket combination sensor	33.4096.1000 housing sensor	1	-
32			33.2917.8000 conversion kit, hose set	-	-
33			33.4031.2000 cable duct	-	-
34			33.7007.8995 V-Ring rt Mixermotor	-	-
35			33.7007.8996 O-Ring rt Mixermotor	-	-



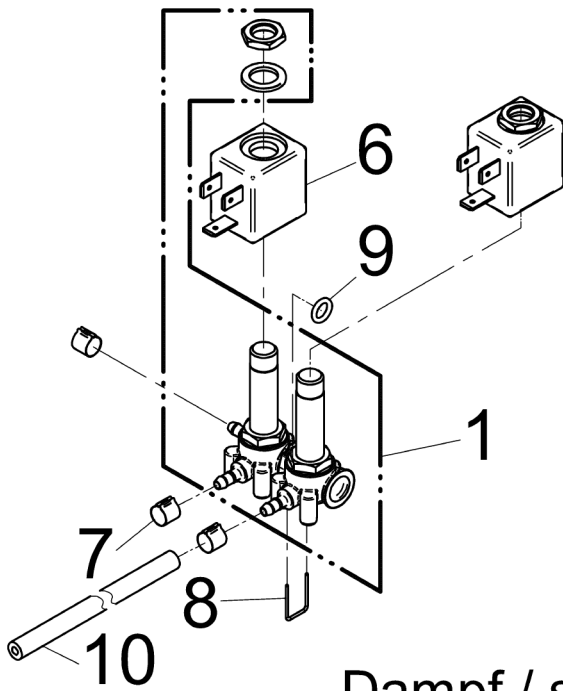
Pos.	Order no.	Designation	Information	EA1	EA2
1	33.4003.0000	Pipe 20.4/24x350 PP-H gy	33.4003.0000 pipe, drain	-	-
2	33.2165.8000	Elbow plug-type fitting 23/23	33.2165.8000 connector piece, tilted	-	-
3	00.0047.3653	PT oval head scr. PH washer 40x10 Inox	00.0047.3653 EJOT PT-screw KA 40x10 WN 1411-A2	-	-
4	33.4087.3000	Holder rear	33.4087.3000 handle top	-	-
5	33.4087.4000	Holder front	33.4087.4000 handle bottom	-	-
6	33.4092.4000	Mounting bracket	33.4092.4000 angle, holder 53062FST10, Böllhoff	-	-
7	00.0047.2286	M10 wheel clamp spring steel	00.0047.2286 Wellensicherungsring D10 der Fa.Böllhoff	-	-
9	33.4087.2000	Front housing	33.4087.2000 housing bottom part	-	-
12	00.0048.4956	Hose 4/6 PTFE	00.0048.4956 tube 4,0x1,0 PTFE	-	-
13	33.0649.3000	Cable tie 2.4x201 PA natural	33.0649.3000 cable clip assembling aid	-	-
15	33.4079.7000	Solenoid valv PA 2/2 24V prem.	33.4079.7000 cold water supply valve	1	-
16	33.4087.1000	Rear housing	33.4087.1000 housing top part	-	-
17	00.0047.3652	PT oval head scr. PH 40x25 Inox	00.0047.3652 EJOT PT-screw KA 40x25-WN 1412-A2	-	-
18	33.4086.9000	Connection Pipe	33.4086.9000 connection pipe	-	-
19	33.2610.3000	Flat seal 7/15x2 EPDM 70 Sh A	33.2610.3000 sealing ring, EPDM, G3/8	-	-
20	33.4087.0000	Coupling nut G3/8-10 Ms	33.4087.0000 union nut	-	-
21	33.4103.9000	Cover cap SW17	33.4103.9000 cap SW17	-	-
22	33.4056.3000	Bulkhead plug connection 6-4 PVDF	33.4056.3000 plug-in connection I 6-4 straight connector	-	-
23	33.2684.1000	Hose nipple 4-4 PPSU	33.2684.1000 hose adapter	-	-
24			33.XXXX.XXXX Note: bottom see drawing base frame	-	-
25			33.XXXX.XXXX Note: threaded nozzle see drawing base frame	-	-
26	33.4195.8000	Avoid moisture sticker	33.4195.8000 sticker sensor, drip tray	-	-
A	33.2916.4000	Connection ext. Valve cpl. WMF 1100S	33.2916.4000 cable set, valve compl.	-	-



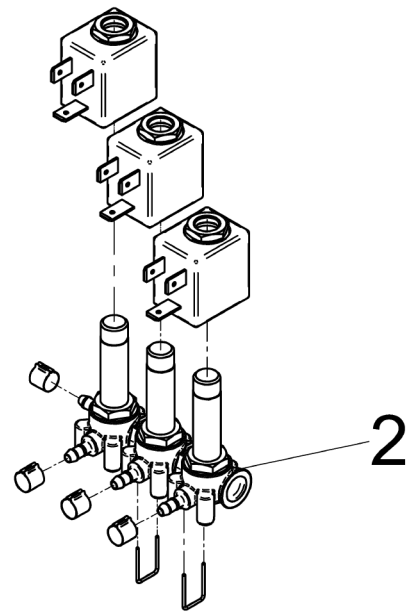
Pos.	Order no.	Designation	Information	EA1	EA2
1	33.4066.2000	Capacitive combination sensor 5V DC	33.4066.2000 capacitive combo sensor	-	-
2	00.0047.3651	PT oval head scr. PH 35x8 Inox	00.0047.3651 EJOT PT-screw KA 35x 8-WN 1412-4303 fastening torque 1,0 Nm	-	-
3	33.4058.4000	Connection Internal water tank	33.4058.4000 tank valve ram	-	-
4	33.0396.1000	O-ring 7.65x1.78 HNBR 70 Sh A bk	33.0396.1000 O-ring, 7.65x1.78 NBR	-	-
5	00.0047.2097	Hex nut Iso 10511-M3-1.4301	00.0047.2097 hexagonnut ISO 10511-M 3-1.4301	-	-
6	33.1499.9000	Cable grommet 4/9.5x1.6 PVC	33.1499.9000 rubber funnel	-	-
7	33.2250.3000	Flow meter 1.2 6-6 PBT	33.2250.3000 flow meter	1	-
8			33.XXXX.XXXX Note: rack compl. see drawing base frame	-	-
9			33.XXXX.XXXX Note: gasket NSF see drawing USA parts, only USA	-	-
10			33.XXXX.XXXX Note: tank chamber see drawing cover parts	-	-
11	33.4079.6000	Mains water supply drinking water tank	33.4079.6000 cover	-	-
12			33.XXXX.XXXX Note: water tank see drawing cover parts	-	-
13	33.2327.1000	Adapter repl. cartridge 200	33.2327.1000 adapter water filter, light grey	-	-
14			33.2332.6000 WMF water filter 200 single	-	-
15			33.XXXX.XXXX Note: cover water tank see drawing cover parts	-	-
16	33.4096.1000	Bracket combination sensor	33.4096.1000 housing sensor	-	-
17	00.0047.2193	Washer body 3.2/9x0.8 Inox	00.0047.2193 washer ISO 7093-1-3-200HV-1.4300	-	-



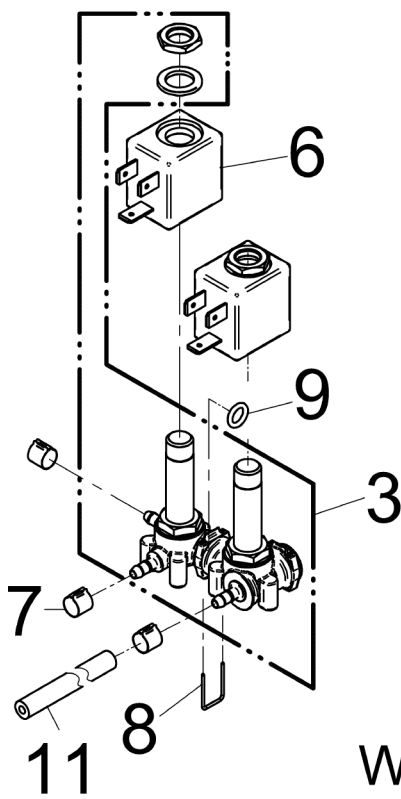
Pos.	Order no.	Designation	Information	EA1	EA2
2	33.2274.7000	Solenoid 24V DC 9.5W not insulated	33.2274.7000 magnet body for valve 33 2273 5000, not encased	1	-
3	33.2274.5000	Valve body 2/2 2.5 1.2stroke	33.2274.5000 valve 2/2 NW2.5 stroke 1.2, no solenoid for valve 33 2273 5000	1	-
4	33.2274.0000	O-ring 6.07x1.78 EPDM 70 Sh A bk	33.2274.0000 O-ring, 6.07x1.78 EPDM for 6mm connection	5	-
5	33.2274.2000	Compression ring 6/9.8x10 PPSU	33.2274.2000 clamping ring for 6mm connection	2	-
6	33.2274.1000	Union nut M15x1 wh	33.2274.1000 union nut, white, 6 mm	1	-
7	33.2274.4000	Union nut M15x1 bk	33.2274.4000 union nut, black, 6 mm	1	-
9			33.4203.6000 valve 2/2 NW2.6 stroke 0.6, no solenoid for valve 33 4190 5000	-	-
10	33.4150.3000	Solenoid 10.2/22x29.5 24V DC	33.4150.3000 magnet body for valve 33 4190 5000	-	-
11	33.4011.6000	N/O solenoid valve PA 2/2 24V DC 1.4	33.4011.6000 valve 2/2 NW1.4 stroke 1.0 NO ventilation valve, Steamer, compl.	-	-
12			33.4002.1000 spring clip	-	-
13	065192	O-ring 3.68x1.78 VMQ 60 Sh A rd	33.7006.5192 O-ring, 3.68x1.78 MVQ	-	-
14			33.4001.5000 plug, hose	-	-



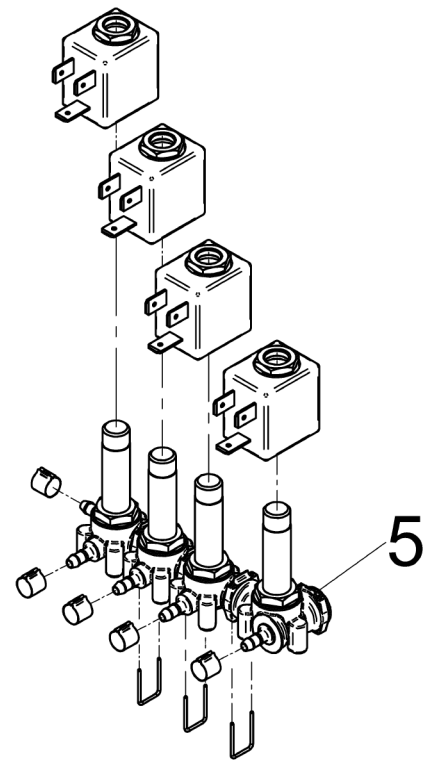
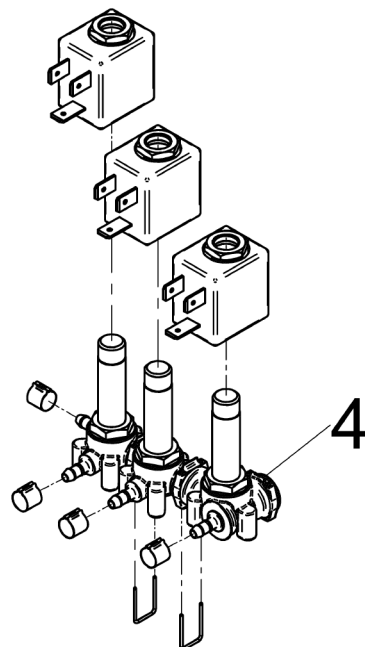
Dampf / steam



NW 2,6

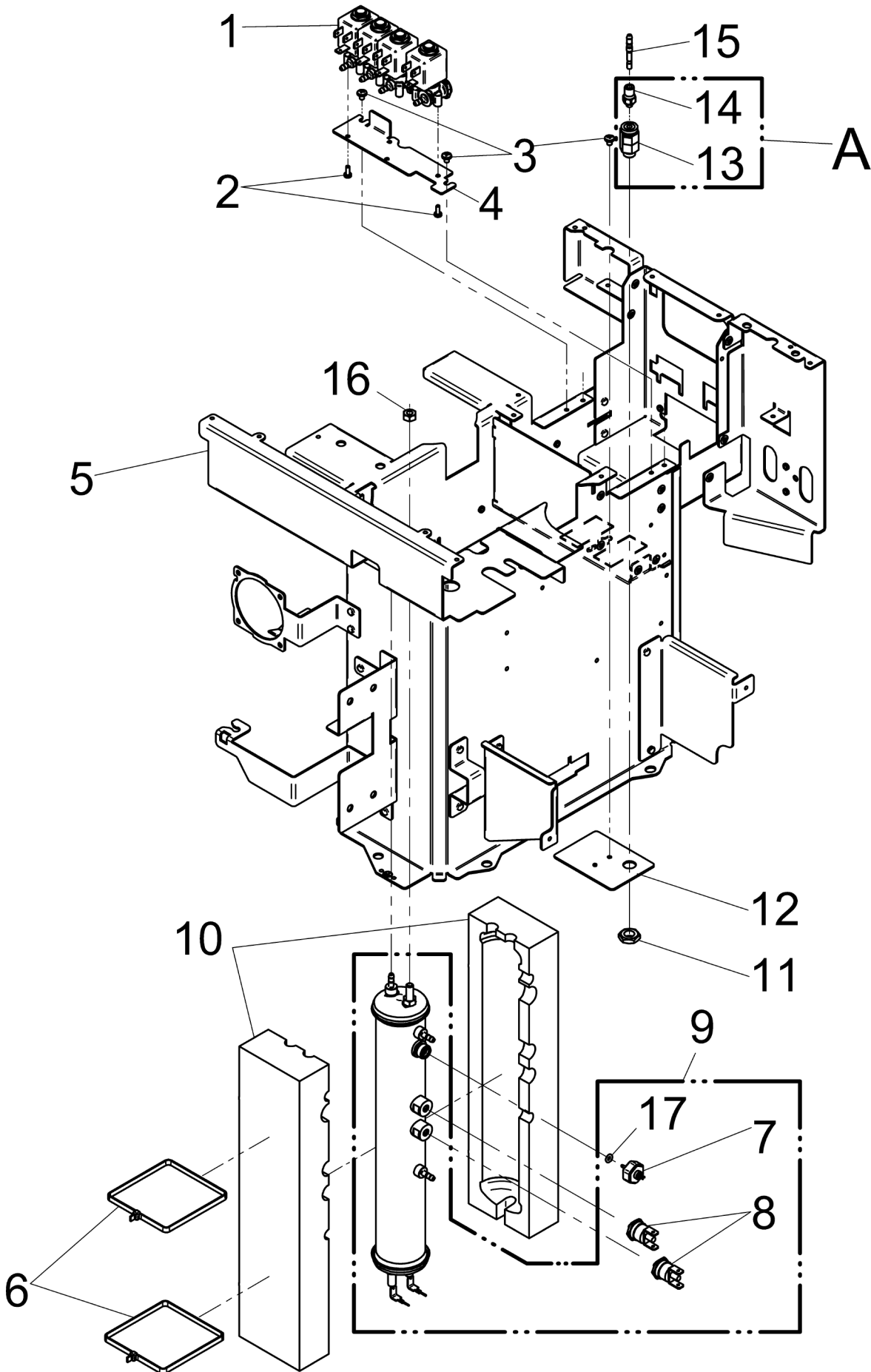


Wasser / water

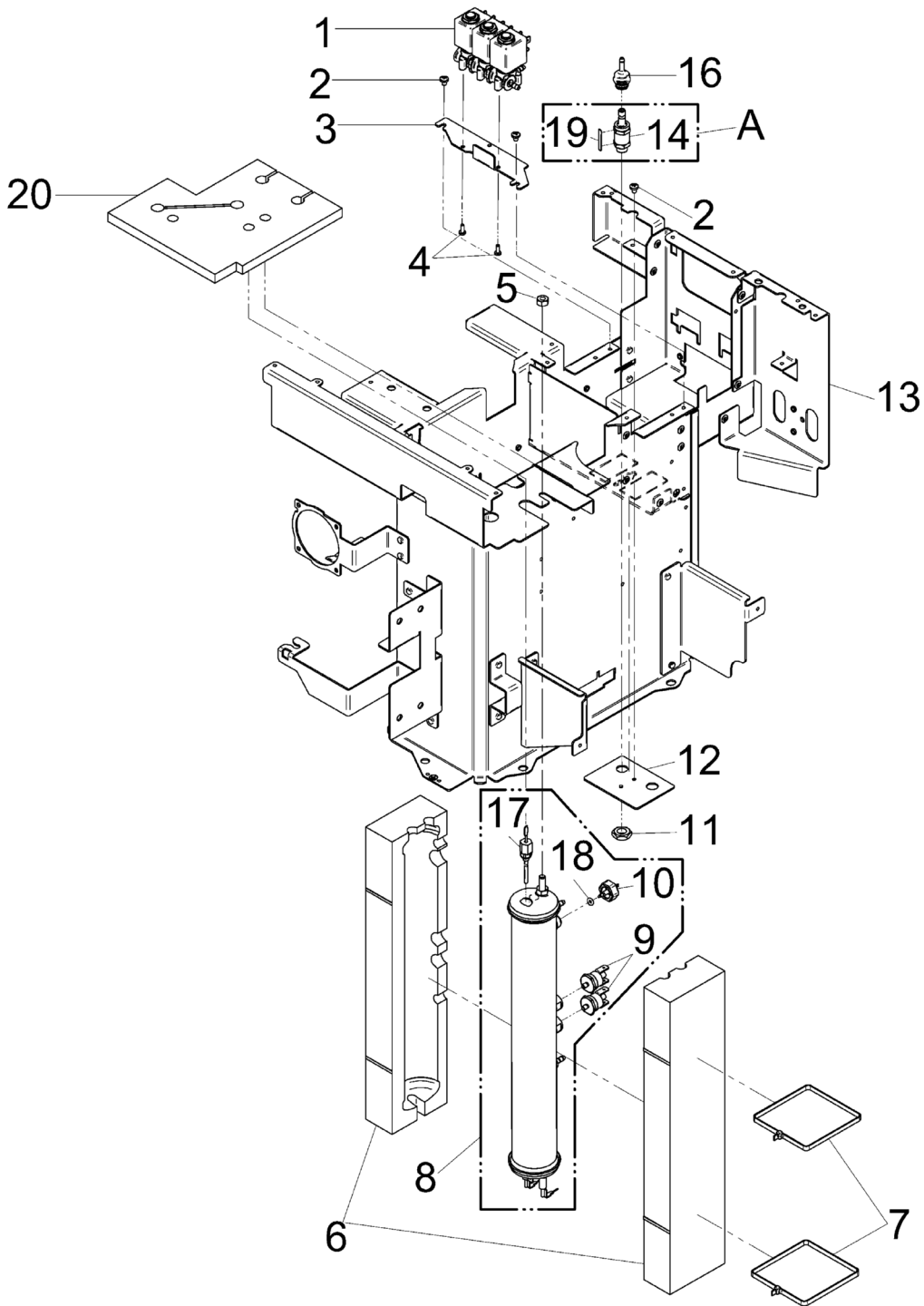


NW 1,2

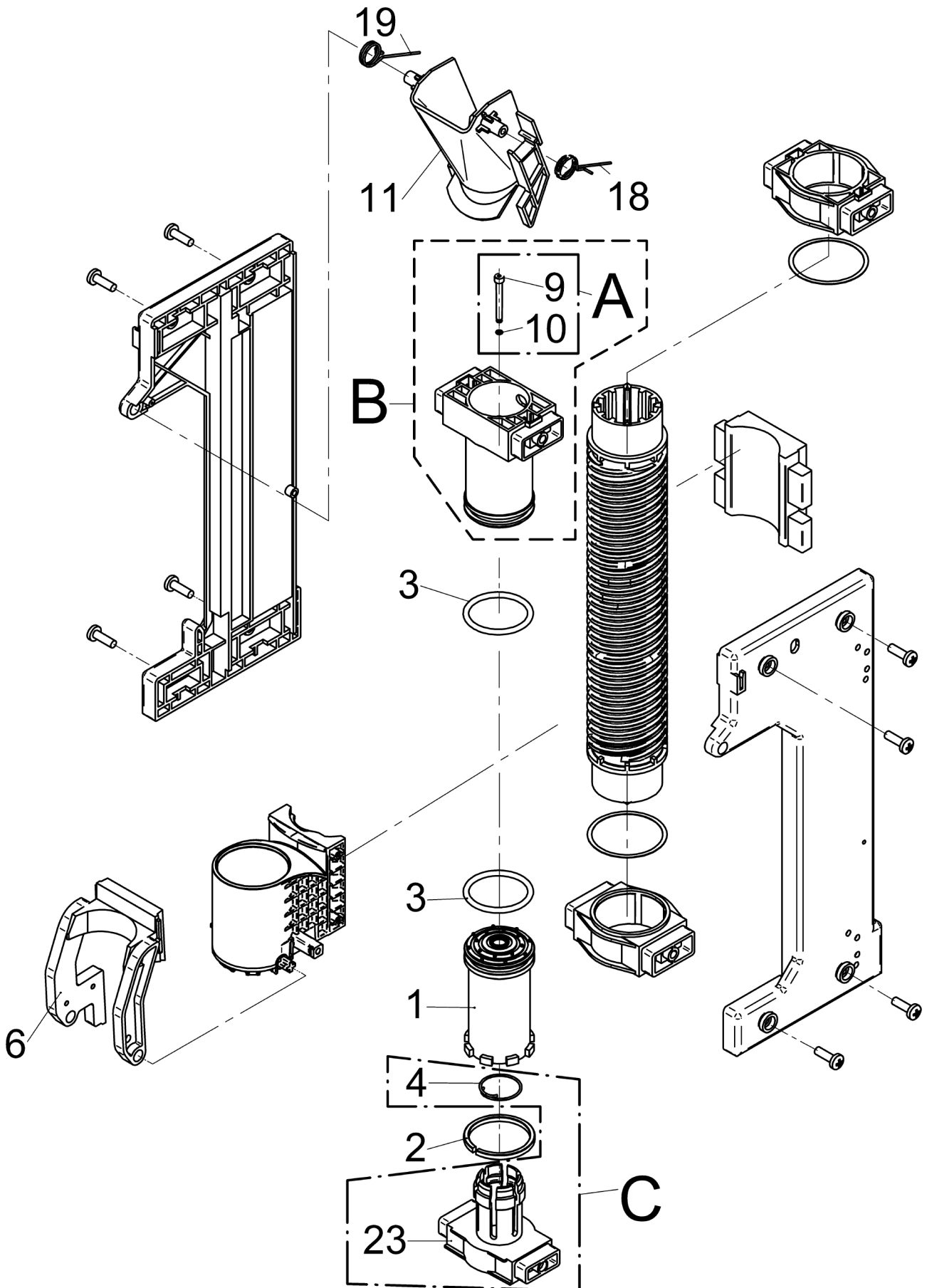
Pos.	Order no.	Designation	Information	EA1	EA2
1	33.4149.8000	Valve block 2-line steam 2.6 w/o magnet	33.4149.8000 2-position valve block NW 2.6 steam without solenoid, with washer and nut	-	-
2	33.4149.9000	Valve block 3-line steam 2.6 w/o magnet	33.4149.9000 3-position valve block NW 2.6 steam without solenoid, with washer and nut	2	-
3	33.4150.0000	Valve block 2-line HW 1.2 w/o magnet	33.4150.0000 2-position valve block NW 1.2 water, without solenoid, with washer and nut	-	-
4	33.4150.1000	Valve block 3-line HW 1.2 w/o magnet	33.4150.1000 3-position valve block NW 1.2 water, without solenoid, with washer and nut	-	-
5	33.4150.2000	Valve block 4-line HW 1.2 w/o magnet	33.4150.2000 4-position valve block NW 1.2 water, without solenoid, with washer and nut	2	-
6	33.4150.3000	Solenoid 10.2/22x29.5 24V DC	33.4150.3000 magnet body	2	-
7	33.2397.1000	Hose clamp	33.2397.1000 hose clip, 7.5/7 always use new clamps	20	-
8	33.4137.3000	Holding bracket	33.4137.3000 mounting bracket	-	-
9	33.4137.4000	O-Ring 7.66x1.78 FKM	33.4137.4000 O-ring 9.44x1.78 FKM	-	-
10	00.0048.0020	Braided hose 3.3/7.7 silikon ye	00.0048.0020 hose, 3,3x2,2 silicone/aramide, grey polyester, translucent yellow	5	-
11	00.0048.0028	Braided hose 3.3/7.7 silikon wh	00.0048.0028 hose, 3,3x2,2 silicone/platinum transp. transparent	5	-



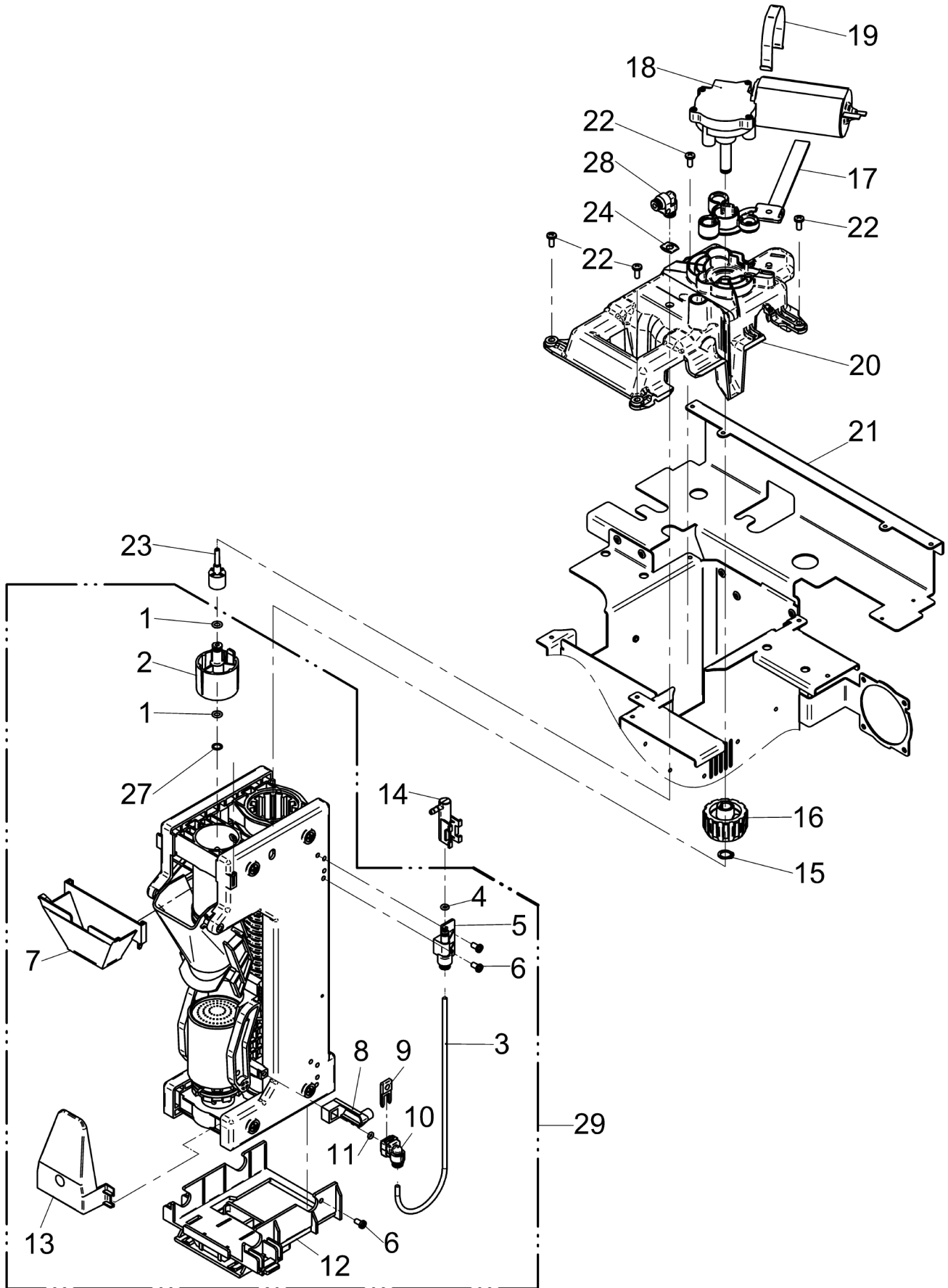
Pos.	Order no.	Designation	Information	EA1	EA2
1			33.XXXX.XXXX Note: valve block quadruple ND 1,2 mm see drawing connected solenoid valves	-	-
2	00.0047.3640	PT oval head scr. PH washer 30x8 Inox	00.0047.3640 EJOT PT-screw KA 30x 8-WN 1411-A2 fastening torque 1.2 Nm	-	-
3	00.0047.3356	Oval head scr. PH M4x5 Inox	00.0047.3356 pan head screw ISO 7045-M 4x 5-1.4301-H	-	-
5			33.XXXX.XXXX Note: rack compl. see drawing base frame	-	-
6	33.2273.2000	Cable tie 4.8x368 PA bl	33.2273.2000 cable tie 368 mm	-	-
7	33.4136.7000	Temperature sensor NTC	33.4136.7000 temperature sensor NTC	2	-
8			33.7006.5019 safety temperature limiter, 130 degree	2	-
9	33.4055.8000	Hot water boiler 120V AC 1.35kW 0.32l	33.4055.8000 hot water boiler 0.8 L, 120 V-1350 W	-	-
9			33.4055.7199 HW boiler 0.32 L, 230 V-2000 W, UK	-	-
9	33.4055.9000	Hot water boiler 100V AC 1.35kW 0.32l	33.4055.9000 hot water boiler 0.32 L, 100 V-1350 W	-	-
9	33.4055.7000	HW boiler 230V AC 2kW 0.32l	33.4055.7000 hot water boiler 0.32 L, 230 V-2000 W	-	-
10	33.4079.1000	Insulation Hot water boiler 0.32l	33.4079.1000 boiler insulation short	-	-
11	00.0047.2089	Hex nut MF10x1 inox	00.0047.2089 hexagonnut ISO 8675-M10x1-1.4301 fastening torque 1.2 Nm	-	-
14	33.2403.2000	Screw-in connection 4-M5 bs+O-ring	33.2403.2000 plug-in connection I 4-M5	-	-
15	33.2684.1000	Hose nipple 4-4 PPSU	33.2684.1000 hose adapter	-	-
16	00.0047.2055	Hex nut M6 Inox	00.0047.2055 hexagonnut ISO 4032-M 6-1.4301 fastening torque 2.0 Nm	-	-
17	33.2534.8000	O-ring 3.6x1.9 EPDM 70 Sh A bk	33.2534.8000 O-ring, 3.60x1.90 EPDM	5	-
A	33.2915.4000	Safety valve brass 16bar M10x1-4	33.2915.4000 safety valve, compl.	2	-
A	33.2915.4199	Safety valve 16bar UK	33.2915.4199 safety valve, compl., UK certificate	-	-



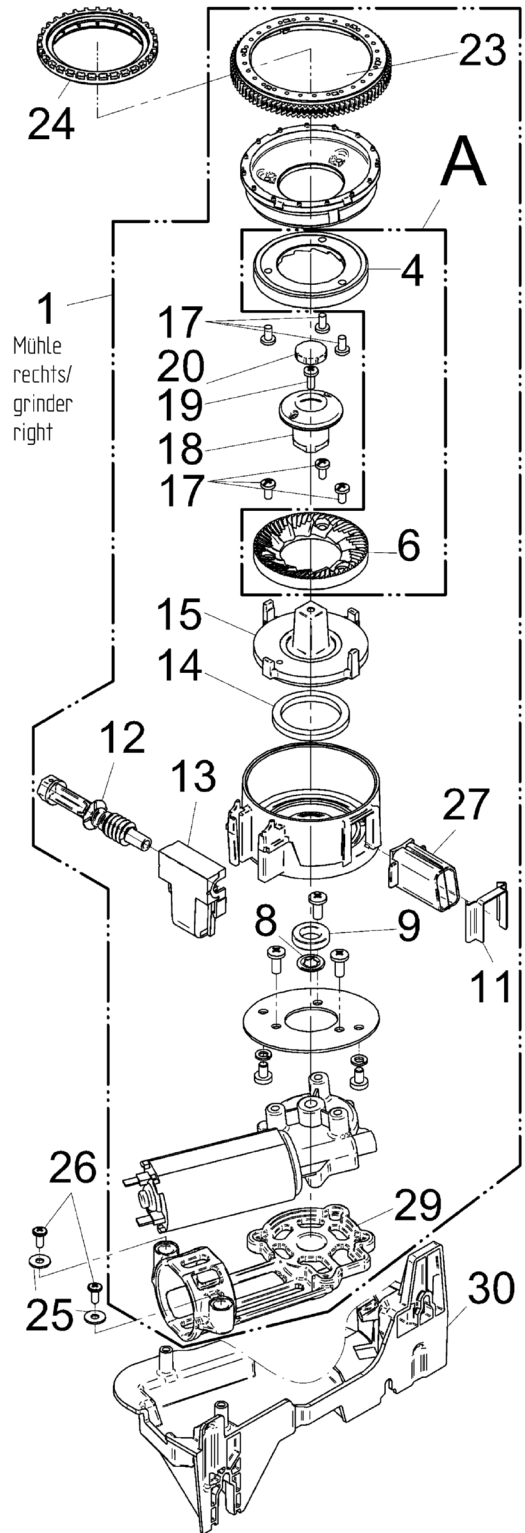
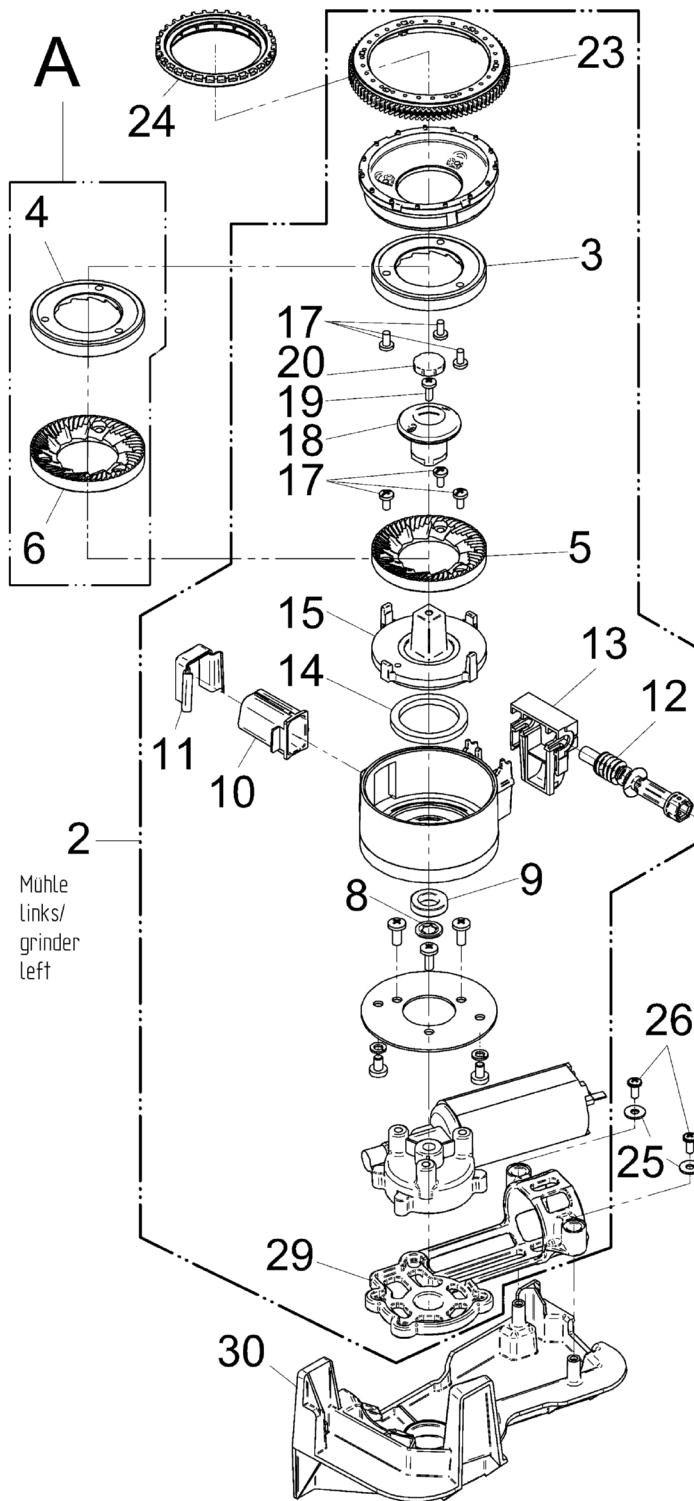
Pos.	Order no.	Designation	Information	EA1	EA2
1			33.XXXX.XXXX Note: valve block triple ND 2,6 Nm see drawing connected solenoid valves	-	-
2	00.0047.3356	Oval head scr. PH M4x5 Inox	00.0047.3356 pan head screw ISO 7045-M 4x 5-1.4301-H	-	-
4	00.0047.3640	PT oval head scr. PH washer 30x8 Inox	00.0047.3640 EJOT PT-screw KA 30x 8-WN 1411-A2 fastening torque 1.2 Nm	-	-
5	00.0047.2055	Hex nut M6 Inox	00.0047.2055 hexagonnut ISO 4032-M 6-1.4301 fastening torque 2.0 Nm	-	-
6	33.4079.2000	Insulation steam boiler 0.36l	33.4079.2000 boiler insulation long	-	-
7	33.2273.2000	Cable tie 4.8x368 PA bl	33.2273.2000 cable tie 368 mm	-	-
8			33.4056.0199 steam boiler 0.36 L, 230 V-1350 W, UK	-	-
8	33.4056.2000	Hot water boiler 100V AC 1.35kW 0.35l	33.4056.2000 steam boiler 0.36 L, 100 V-1350 W	-	-
8	33.4056.1000	Hot water boiler 120V AC 1.35kW 0.35l	33.4056.1000 steam boiler 0.36 L, 120 V-1350 W	-	-
8	33.4056.0000	Steam boiler 230V AC 1.35kW 0.36l	33.4056.0000 steam boiler 0.36 L, 230 V-1350 W	-	-
9			33.7006.4058 safety temperature limiter 155	2	-
10	33.4136.7000	Temperature sensor NTC	33.4136.7000 temperature sensor	-	-
11	00.0047.2089	Hex nut MF10x1 inox	00.0047.2089 hexagonnut ISO 8675-M10x1-1.4301 fastening torque 1.2 Nm	-	-
13			33.XXXX.XXXX Note: rack compl. see drawing base frame	-	-
14	33.4179.4000	Safety valve brass 5bar SCClub	33.4179.4000 safety valve 5 bar, compl.	1	-
16	33.4053.9000	Connection nozzle 6-6 POM	33.4053.9000 plug-in connection I 6-nipple push In	2	-
17	33.2603.7000	Level probe cpl. WMF 1200S	33.2603.7000 level probe	1	-
18	33.2534.8000	O-ring 3.6x1.9 EPDM 70 Sh A bk	33.2534.8000 O-ring, 3.60x1.90 EPDM	5	-
19			33.2360.4100 sticker for safety valve	-	-
20			33.4287.5000 insulation, boiler, rear	-	-
A	33.2917.7199	Safety valve 5bar UK	33.2917.7199 relief valve 5 bar, UK certificate compl.	-	-



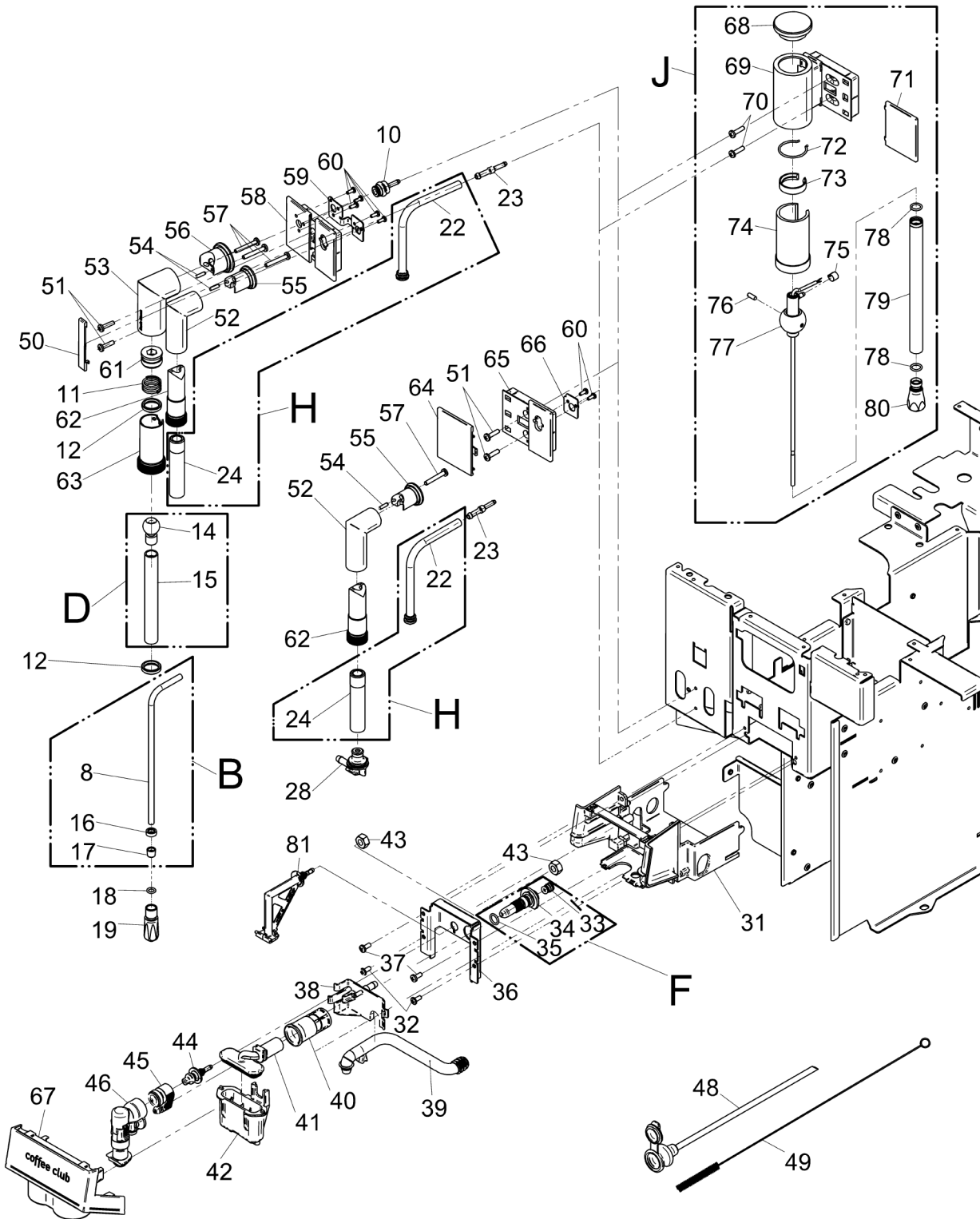
Pos.	Order no.	Designation	Information	EA1	EA2
1	33.2891.4000	Lower piston cpl. brown	33.2891.4000 piston, bottom, brown, compl.	-	-
2	33.2661.3000	Spring clip 38.6/44.6x3.5 POM br	33.2661.3000 retaining ring brown	-	-
3	065190	O-ring 37.69x3.6 VMQ 70 Sh A rd	33.7006.5190 O-ring, 37.69x3.60 MVQ silicone, red	5	-
4	33.2661.6000	Pressure spring friction piston	33.2661.6000 spring	-	-
6	33.2662.5000	Scraper brewing unit WMF	33.2662.5000 scraper, brown	-	-
11	33.2661.9000	Ground coffee chute BUN WMF	33.2661.9000 funnel, brown	-	-
18			33.7006.5197 spring, right	-	-
19			33.7006.5198 spring, left	-	-
A	33.2917.1000	Nozzle 0.6/3.9x35 Inox brewing unit WMF	33.2917.1000 aperture brewer 0-6, compl.	1	-
B	33.2891.5199	Brewing piston top BUN WMF	33.2891.5199 piston, top, w/o aperture, brown, compl.	-	-
C	33.2891.6099	Friction piston cpl. BrU WMF	33.2891.6099 friction piston, brewer, brown, compl.	-	-



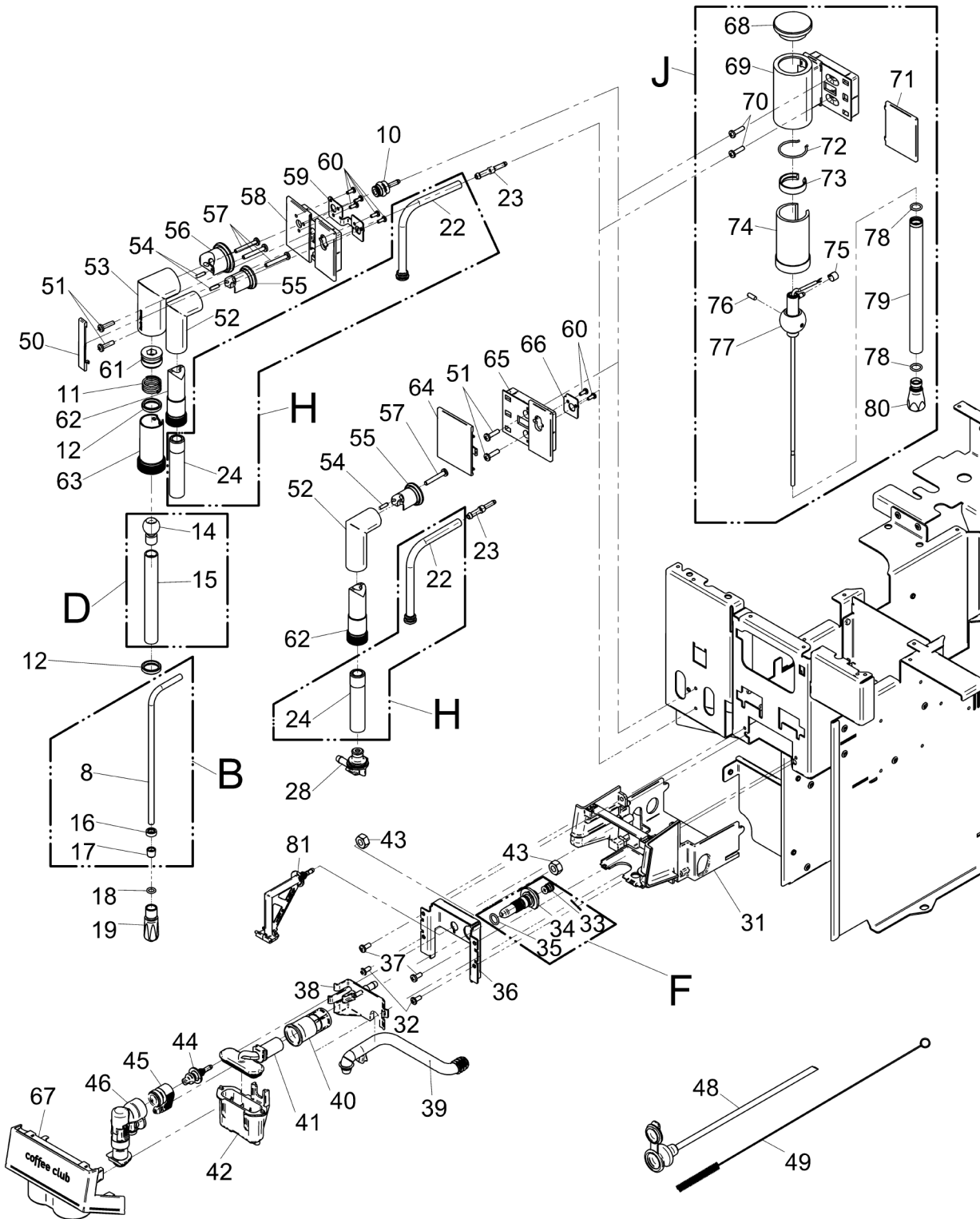
Pos.	Order no.	Designation	Information	EA1	EA2
1	33.0398.4000	O-ring 5.28x1.78 EPDM 70 Sh A bk	33.0398.4000 O-ring, 5.28x1.78 EPDM	5	-
2	33.2663.6000	Brewing unit adapter	33.2663.6000 adapter, brown	-	-
3	00.0048.0074	Hose 2.5/4 PFA	00.0048.0074 tube 2,5x0,75 PFA natur 340 mm	-	-
4	33.0394.4100	O-ring 3.68x1.78 EPDM 70 Sh A bk	33.0394.4100 O-ring, 3.68x1.78 EPDM	-	-
5	33.2645.7000	Plug-in connection 4-7 PPSU	33.2645.7000 connection piece, compl. top	-	-
6	00.0047.3627	PT oval head scr. PZ 40x8 Inox	00.0047.3627 EJOT PT-screw KA 40x 8-WN 1412-A2	-	-
9	33.2661.4000	Brewing unit locking clasp	33.2661.4000 locking clip brown	-	-
10	33.2405.3000	Connection brewing unit	33.2405.3000 connection piece, compl. bottom	1	-
11	065192	O-ring 3.68x1.78 VMQ 60 Sh A rd	33.7006.5192 O-ring, 3.68x1.78 MVQ	-	-
12	33.2823.7000	Holder brewing unit	33.2823.7000 brewer mount, compl.	-	-
13	33.2663.0000	Brewing unit motor clamping plate	33.2663.0000 friction piston guard, brown	-	-
14	33.4058.5000	Connection brewing unit WMF	33.4058.5000 connection	1	-
15	00.0047.2225	Safety ring shaft 10x1 spring st	00.0047.2225 locking ring DIN 471-10x1,0-1.4122	-	-
16			33.7006.5228 pusher	-	-
17	33.2635.8000	Brewing unit motor insulation	33.2635.8000 insulation, brewer motor	-	-
18	33.2629.2000	Motor 24V DC 90RPM+encoder brewing unit	33.2629.2000 brewer motor with encoder 24 V	1	-
19	33.2635.9000	Brewing unit motor clamping plate	33.2635.9000 tension plate brewer motor	-	-
20	33.4081.7000	Holder motor brewing unit	33.4081.7000 brewer motor mount	-	-
22	00.0047.3363	Oval head scr. PH M4x10 Inox	00.0047.3363 pan head screw ISO 7045-M 4x10-1.4301-H fastening torque 1.1 Nm	-	-
23	33.2295.6000	Connection brewing unit 4/8.8x38 POM	33.2295.6000 connection	1	-
24	33.1471.9000	Spring clip shaft 4x9/10 spr. steel	33.1471.9000 retainer	-	-
27	33.2317.4000	Spacer washer 6.7/8.8x0.5 Inox	33.2317.4000 washer	-	-
28	33.1448.0000	Elbow plug-type fitting 4-4 PVDF	33.1448.0000 plug-in connection L 4-4	1	-
29	33.2893.0399	Brewing unit prem. WMF	33.2893.0399 brewer, brown spare part only, with item 8 and including item 7 (not assembled)	1	-



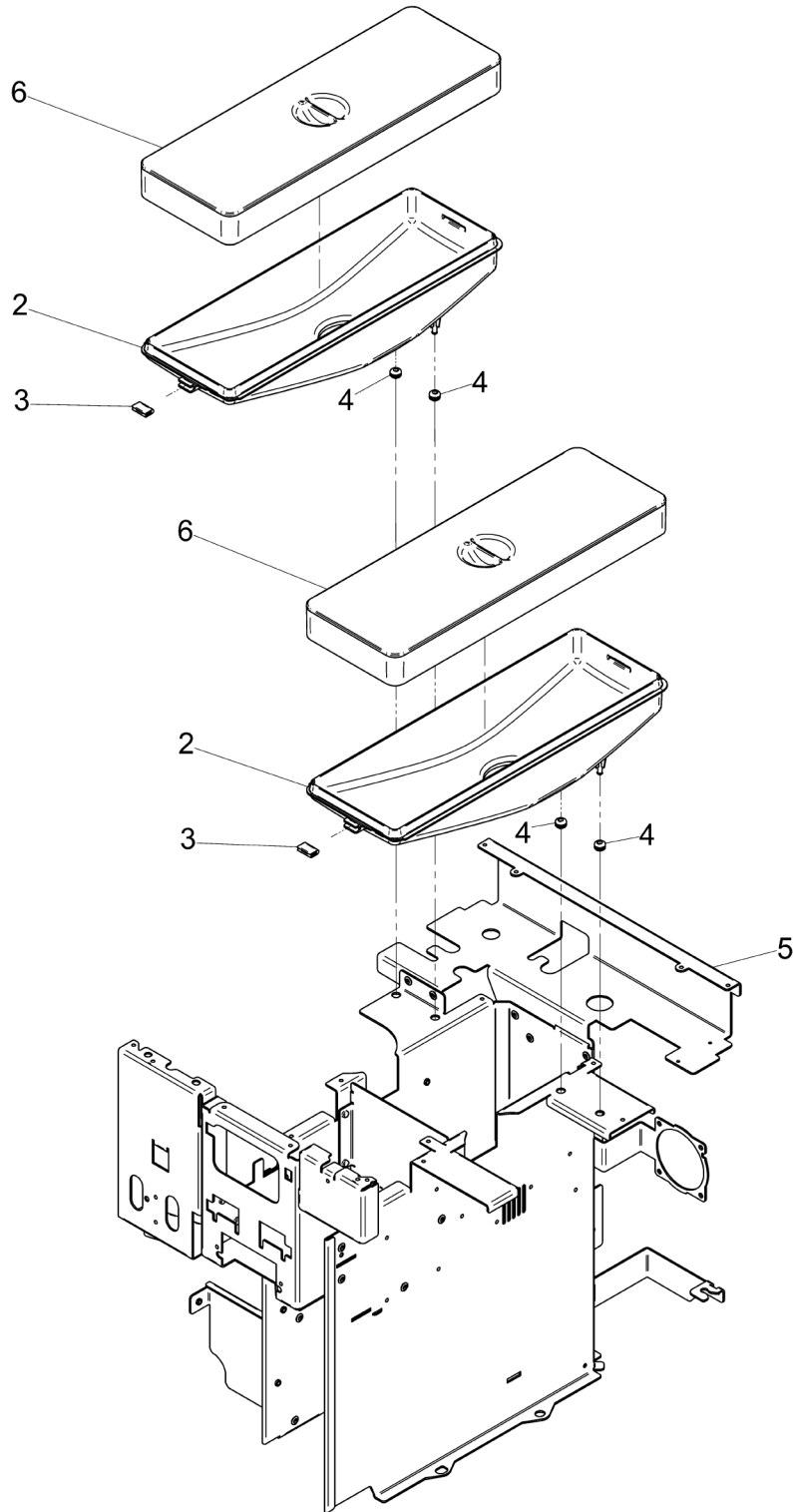
Pos.	Order no.	Designation	Information	EA1	EA2
1			33.7007.4460 grinder 64, right	-	-
2			33.7007.4376 grinder 63, left	1	-
8	062446	Lock washer 9 Inox	33.7006.2446 retainer washer, Star-Lock	-	-
9			33.7006.2410 deep groove ball bearing	-	-
10			33.7007.4171 outlet 34 mm, ground coffee	-	-
11			33.7007.4173 clamp outlet, ground coffee	-	-
12			33.7007.0432 worm shaft grinding degree setting	-	-
13			33.7006.7275 shaft bearing rework shaft bearing 33.0706.2425	-	-
14			33.7006.2409 ball bearing, axial	-	-
17			33.7120.4080 oval head screw, M4x8, 1.4301 M 4x8	-	-
18			33.7007.0628 finger guard grinder	-	-
19			33.7006.2085 oval head screw DIN7500CE-M4x10-Z	-	-
20	070629	Lid finger protection grinder	33.7007.0629 lid, finger guard Grinder finger protection	-	-
23			33.7007.4377 adjustment ring grinding degree 360°, grinder 63/64	-	-
24	33.2406.1000	Sealing ring grinder	33.2406.1000 seal, grinder	-	-
25	00.0047.2197	Washer 4.3/12x1 Inox	00.0047.2197 washer ISO 7093-1-4-200HV-1.4301	-	-
26	00.0047.3653	PT oval head scr. PH washer 40x10 Inox	00.0047.3653 EJOT PT-screw KA 40x10 WN 1411-A2 fastening torque 0.5 Nm	-	-
27			33.7007.4176 outlet 39 mm, ground coffee	1	-
29			33.7006.0156 absorber	-	-
30			33.XXXX.XXXX Note: grinder support see drawing mounting parts left rear side	-	-
A			33.2917.2000 replacement grinder disc set 1100S	1	-



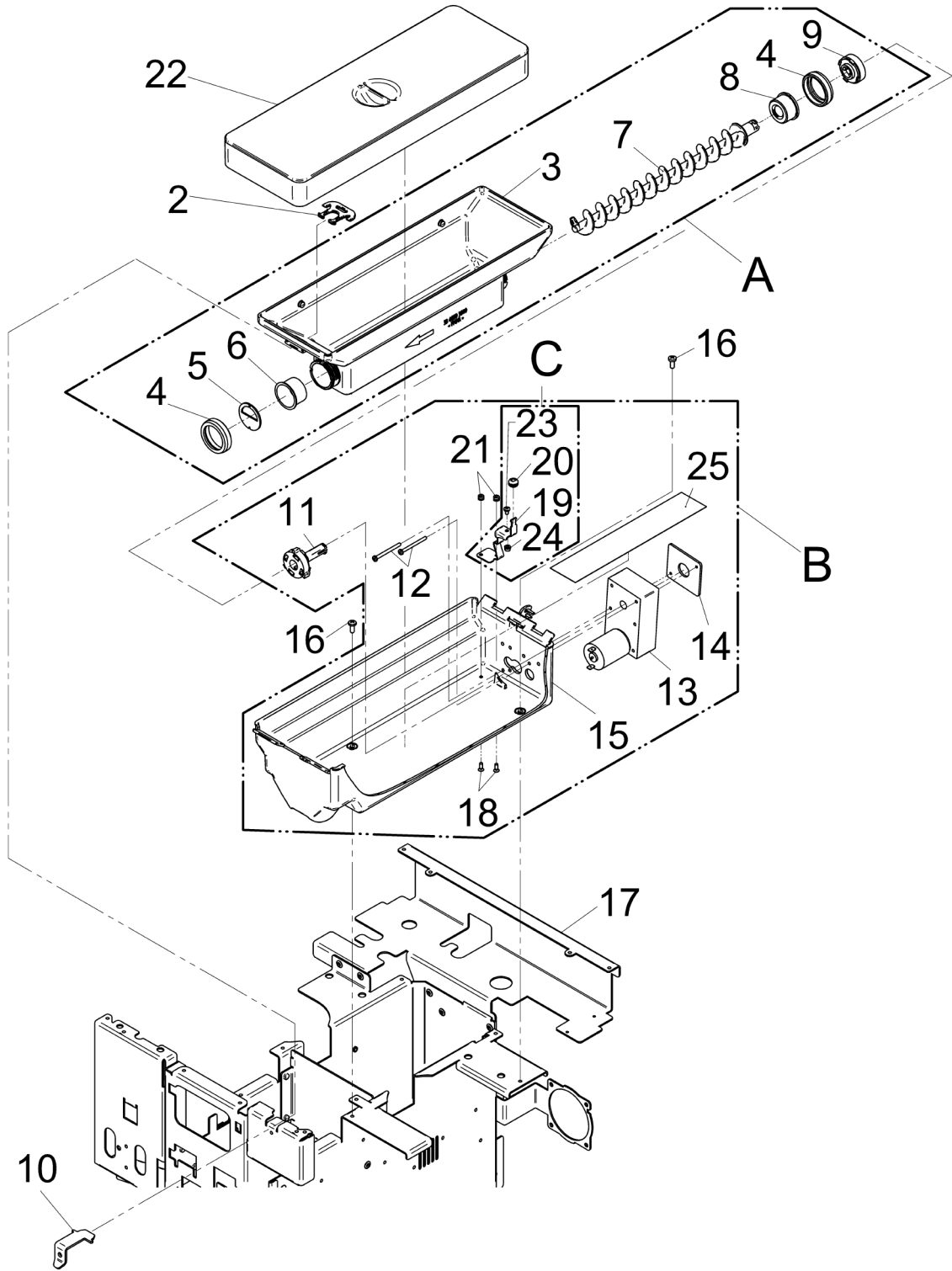
Pos.	Order no.	Designation	Information	EA1	EA2
8	00.0048.4956	Hose 4/6 PTFE	00.0048.4956 tube 4,0x1,0 PTFE	-	-
10	33.4053.9000	Connection nozzle 6-6 POM	33.4053.9000 plug-in connection I 6-nipple	1	-
11	33.4086.1000	Pressure spring 1.8x15.7x22 Fed.-St.	33.4086.1000 pressure spring	-	-
12	33.4085.5000	Ball socket cpl.	33.4085.5000 ball socket	-	-
18	33.2274.0000	O-ring 6.07x1.78 EPDM 70 Sh A bk	33.2274.0000 O-ring, 6.07x1.78 EPDM	5	-
19	33.4085.8000	Steam nozzle Powersteam	33.4085.8000 Basic Steam	-	-
23	33.4080.8000	Hose nipple 4-5 PVDF	33.4080.8000 hose coupling I	2	-
28	33.4073.5000	Hose adapter Plug & Clean 2K	33.4073.5000 Hose_Connector_Plug_and_Clean_2K	-	-
31	33.4053.6000	Holder beverage outlet	33.4053.6000 spout	-	-
32	00.0047.3670	PT oval head scr. PH 40x10 bl	00.0047.3670 EJOT PT-screw KA 40x10-WN 1412-1.5523-DS tightening torque 2 Nm	-	-
35	33.0395.3000	O-ring 9.25x1.78 EPDM 70 Sh A bk	33.0395.3000 O-ring, 9.25x1.78 EPDM	2	-
37	00.0047.3363	Oval head scr. PH M4x10 Inox	00.0047.3363 pan head screw ISO 7045-M 4x10-1.4301-H tightening torque 1 Nm	-	-
38	33.4089.5000	Milk connection foamer head	33.4089.5000 milk connection	1	-
39	33.4054.0000	Preformed hose powder beverage outlet	33.4054.0000 Choc mixer spout	2	-
40	33.4054.7000	Coffee outlet plug-in connection	33.4054.7000 coffee coupling	-	-
41	33.4055.0000	Beverage outlet insert cover	33.4055.0000 lid, spout, coffee	2	-
42	33.4054.8000	Beverage outlet insert 2-pc. outlet	33.4054.8000 spout, coffee, double	2	-
43	00.0047.2056	Hex nut M8 Inox	00.0047.2056 hexagonnut ISO 4032-M 8-1.4301 tightening torque 1.2 Nm	-	-
44	33.4054.4000	Plug-in connection steam foamer head	33.4054.4000 foamer	-	-
45	33.4089.7000	Connection foamer head nozzle 1.15	33.4089.7000 suction chamber connection cold	2	-
45	33.4089.7100	Connection foamer head nozzle 1.3	33.4089.7100 suction chamber connection warm	2	-
46	33.4054.1000	Foamer head SCClub	33.4054.1000 foamer	2	-
48	33.2914.9000	Milk lance cpl.	33.2914.9000 milk lance spare part only	-	-
49	33.4136.8000	Brush D5x50/300 PA	33.4136.8000 brush spare part only	-	-
50	33.4100.1100	Cover Bracket HW outlet / steam wand	33.4100.1100	-	-
51	00.0047.3366	Oval head scr. PH M4x16 Inox	00.0047.3366 pan head screw ISO 7045-M 4x16-1.4301-H-D	-	-
52	33.4142.0000	Hot water pipe 90°	33.4142.0000	-	-
53			33.4142.3000	-	-
54			00.0047.2401 Straight pin ISO 2338- 3 m6x12-1.4305 bonded w/ part 55 + 56 thread locker no. 00.0048.4938, low strength	-	-
55	33.4142.2000	Decor disc for HW outlet	33.4142.2000	-	-
56			33.4142.5000	-	-
57			00.0047.3369 pan head screw ISO 7045-M 4x25-1.4301-H	-	-
58	33.4144.0000	Bracket HW outlet / steam wand	33.4144.0000	-	-
59			33.4136.6000	-	-
60	00.0047.3318	Pan head screw PH M3x8 Inox	00.0047.3318 pan head screw ISO 7045-M 3x 8-1.4301-H	-	-
61			33.4136.5000	-	-
62			33.4142.1000	-	-
63			33.4142.4000	-	-
64	33.4102.9100	Cover hot water outlet bracket	33.4102.9100	-	-
65	33.4141.8000	Hot water outlet bracket	33.4141.8000 Carrier	-	-
66	33.4136.3000	Support plate	33.4136.3000	-	-
67	33.2933.5000	Beverage outlet cover	33.2933.5000	-	-
68			33.4164.3000 lid Autosteam	-	-
69			33.4165.6000 bearing Autosteam	-	-
70	00.0047.3366	Oval head scr. PH M4x16 Inox	00.0047.3366 pan head screw ISO 7045-M 4x16-1.4301-H-D	-	-
71	33.4102.9000	Cover hot water outlet bracket	33.4102.9000 Bearing, HW	-	-
72			33.4165.5000 retaining ring	-	-
73			33.4163.4000 ball socket	-	-
74			33.4163.3000 adapter Autosteam	-	-
75	33.2397.1000	Hose clamp	33.2397.1000 hose clip, 7.5/7	-	-
76			00.0047.2360 Threaded pin ISO 7434-M 4x12-14H	-	-
77			33.4163.5000 temperature sensor	-	-
78	33.0395.3000	O-ring 9.25x1.78 EPDM 70 Sh A bk	33.0395.3000 O-ring, 9.25x1.78 EPDM	-	-
79			33.4164.2000 pipe, Autosteam	-	-
80			33.4164.4000 steam nozzle	-	-
81			33.4165.7000 Hot water spout, central only in Autosteam version	-	-
B	33.2915.6000	Hose cpl. Powersteam	33.2915.6000 Basic Steam tube compl.	-	-
D	33.2915.8000	Steam wand Powersteam w/o nozzle	33.2915.8000 Basic Steam pipe compl.	-	-



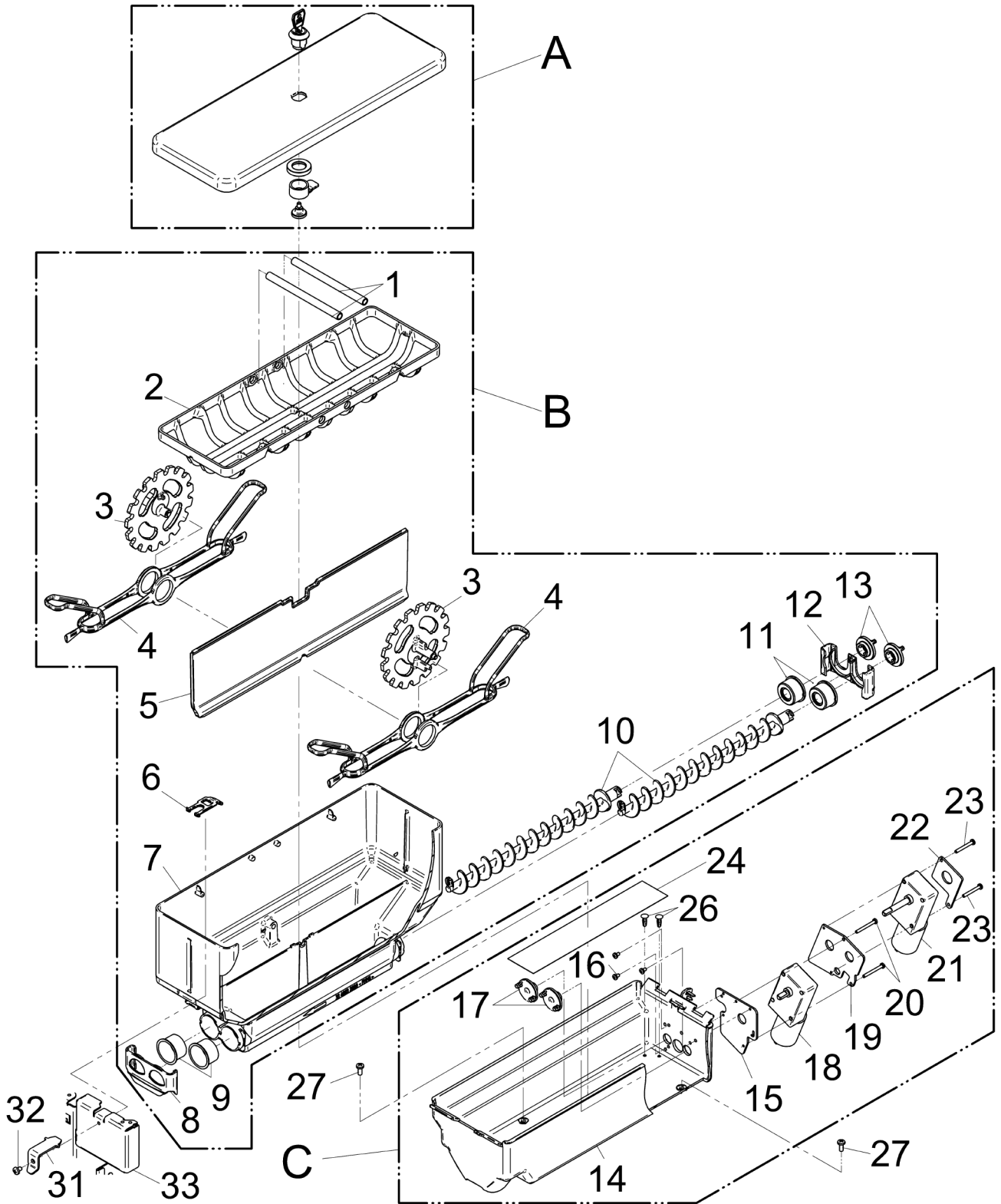
Pos.	Order no.	Designation	Information	EA1	EA2
F	33.2921.6000	Adapter coffee coupling cpl.	33.2921.6000 <i>adapter</i>	1	-
H	33.2915.9100	Hot water outlet pipe cpl.	33.2915.9100	-	-
J			33.2914.6000 <i>Autosteam spout compl.</i>	-	-



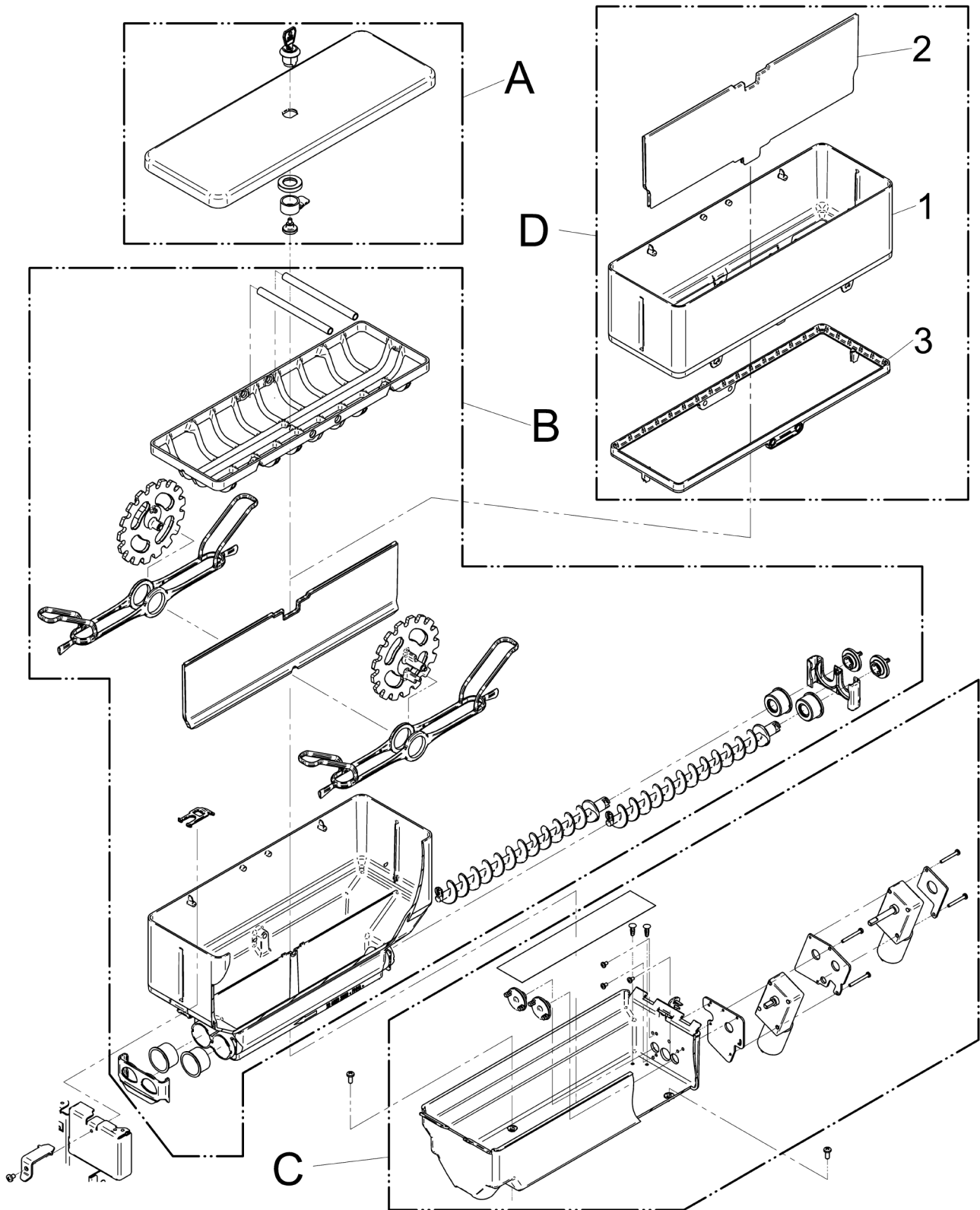
Pos.	Order no.	Designation	Information	EA1	EA2
2	33.4050.7000	Bean hopper SCClub	33.4050.7000 bean hopper, integrated	-	-
3	00.0048.0646	Rubber profile 4x10 Neopren 55 Sh A bk	00.0048.0646 rubber profile black 30mm	-	-
4	33.1499.9000	Cable grommet 4/9.5x1.6 PVC	33.1499.9000 rubber funnel	-	-
6	33.4136.0000	Lid bean hopper/Powder contain. SCClub	33.4136.0000	-	-



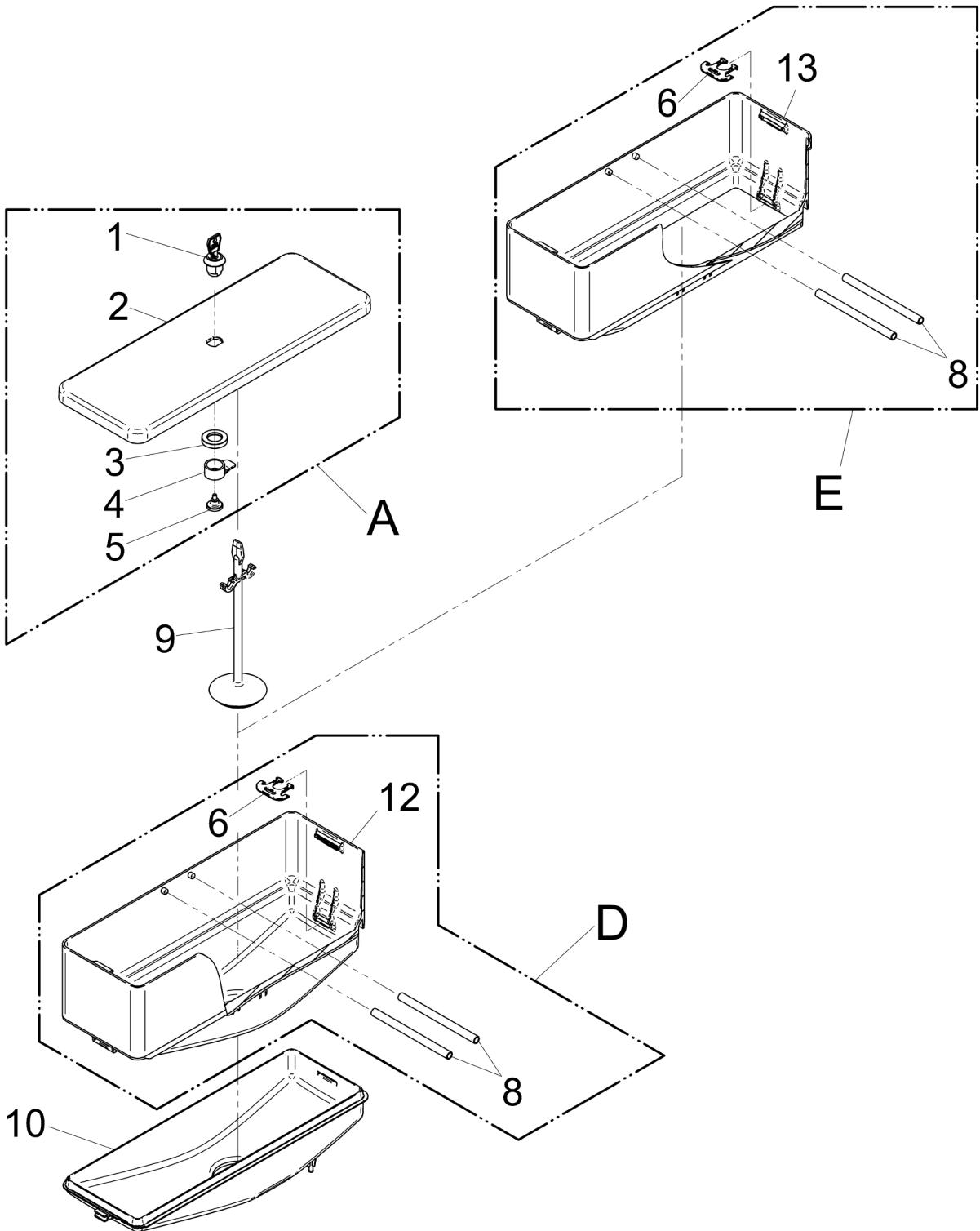
Pos.	Order no.	Designation	Information	EA1	EA2
A	33.2916.5000	Powder container cpl. 0.45kg SCClub	33.2916.5000 powder hopper	1	-
B	33.2916.6000	Choco waste sump cpl.	33.2916.6000 tray, powder	-	-
C	33.2916.7000	Vibrating leaf spring cpl.	33.2916.7000 spring	-	-
2	33.4083.4000	Locking BHP/PC	33.4083.4000 hopper locking UL before Mod.2 (from Mod. 2 spare part only for locking from inside)	-	-
3	33.4050.3000	Powder container 0.45kg SCClub	33.4050.3000 powder hopper, integrated	-	-
4	33.1325.0000	Knurled nut M32x1.5 PA	33.1325.0000 nut	-	-
5			33.4196.4000 plate, cover panel	-	-
6	33.2316.4100	Plain bearing 25/26x17 Inox	33.2316.4100 sleeve	-	-
7	33.4092.3000	Dosing screw Choco	33.4092.3000 worm	-	-
8	33.2291.8000	Plain bearing 12/26x15.5 POM	33.2291.8000 bushing	-	-
9	33.2927.5000	Dosing screw holder	33.2927.5000 output	2	-
10	33.4083.1100	Locking powder container	33.4083.1100 powder hopper locking from Mod.2 on	-	-
11	33.2927.6000	Dosing screw drive shaft	33.2927.6000 drive	2	-
12	00.0047.3332	Oval head scr. PH M3x35 Inox	00.0047.3332 pan head screw ISO 7045-M 3x35-1.4301-H tightening torque 1 Nm	-	-
13	33.2251.7000	Motor 24V DC without shaft	33.2251.7000 motor, 24 V DC	1	-
14	33.2621.7000	Holder 1 powder motor	33.2621.7000 plate, Choc	-	-
15	33.4059.0000	Choco waste sump cpl.	33.4059.0000 tray, Choc	-	-
16	00.0047.3363	Oval head scr. PH M4x10 Inox	00.0047.3363 pan head screw ISO 7045-M 4x10-1.4301-H tightening torque 1.7 Nm	-	-
18	00.0047.3104	Ctsk scr. PH M3x8 Inox	00.0047.3104 counter sunk screw ISO 7046-2-M 3x 8-A2-tightening torque 0.7 Nm	-	-
20	33.1499.9000	Cable grommet 4/9.5x1.6 PVC	33.1499.9000 rubber funnel	-	-
21	00.0047.2097	Hex nut Iso 10511-M3-1.4301	00.0047.2097 hexagonnut ISO 10511-M 3-1.4301	-	-
22	33.4136.0000	Lid bean hopper/Powder contain. SCClub	33.4136.0000	-	-
23	00.0047.3313	Oval head scr. PH M3x5 Inox	00.0047.3313 pan head screw ISO 7045-M 3x 5-1.4301-H	-	-
24	00.0047.2097	Hex nut Iso 10511-M3-1.4301	00.0047.2097 hexagonnut ISO 10511-M 3-1.4301	-	-
25			33.4190.0000 adhesive labels before Mod.2 (from Mod.2 on spare part only)	-	-



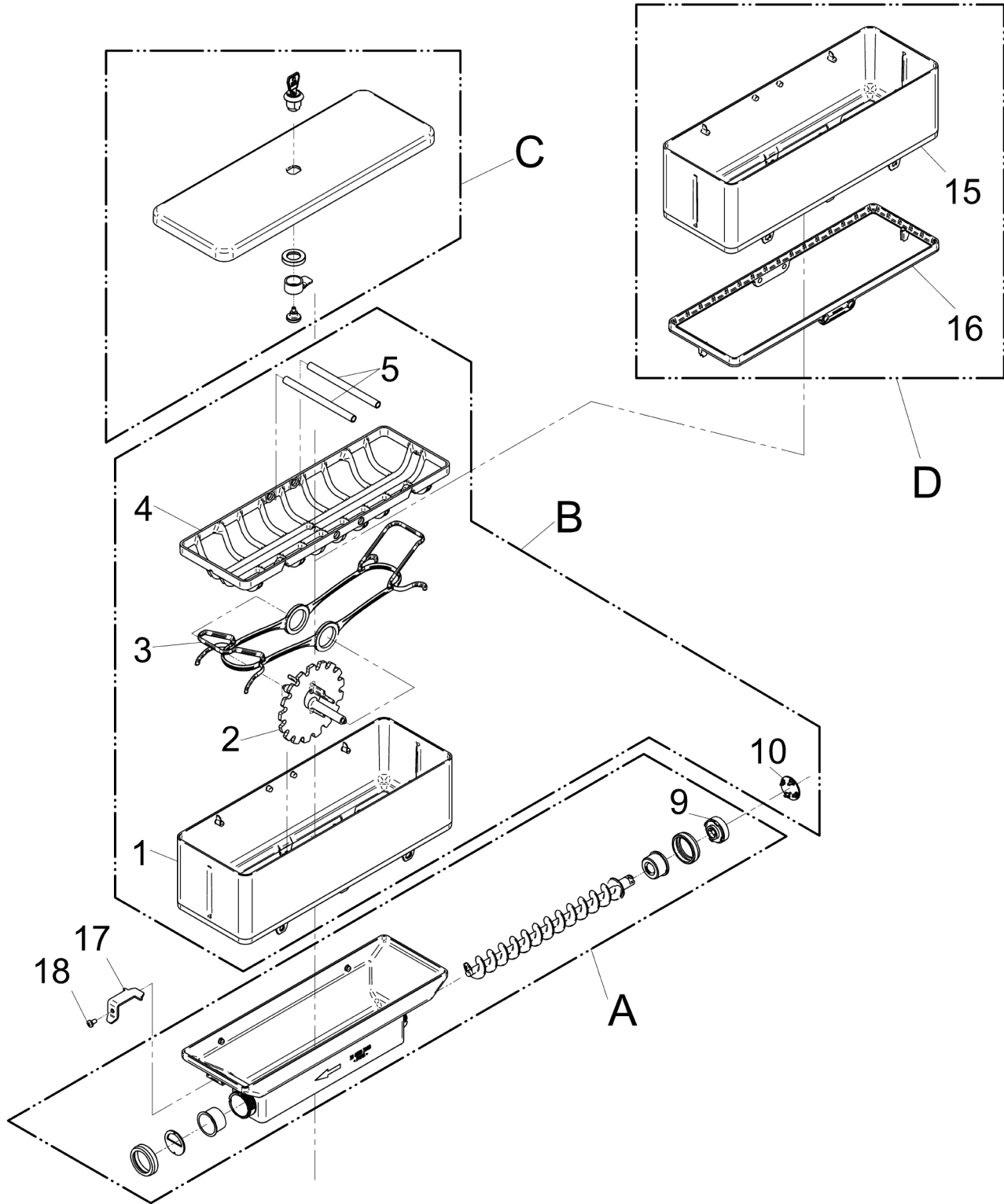
Pos.	Order no.	Designation	Information	EA1	EA2
1			33.4097.6000 bolt hopper lock	-	-
2			33.4097.5000 intervening protection extension, Choc hopper	-	-
3			33.4170.7000 gear, twin	-	-
4			33.4170.8000 rocker, twin	-	-
5	33.4172.9000	Partition Twin powder container SCClub	33.4172.9000 partition panel, twin	-	-
6			33.4171.1000 locking, twin	-	-
7			33.4083.2000 Twin Choc integrated	-	-
8			33.4173.1000 clamp Twin	-	-
9	33.2316.4100	Plain bearing 25/26x17 Inox	33.2316.4100 sleeve	-	-
10	33.4092.3000	Dosing screw Choco	33.4092.3000 worm Choc	-	-
11	33.2291.8000	Plain bearing 12/26x15.5 POM	33.2291.8000 bushing	-	-
12			33.4173.2000 clamp RK	-	-
13	33.2321.6000	Drive output pinion	33.2321.6000 pusher output	-	-
16	00.0047.3313	Oval head scr. PH M3x5 Inox	00.0047.3313 pan head screw ISO 7045-M 3x 5-1.4301-H	-	-
17	33.2310.7000	Driver dog	33.2310.7000 pusher drive, Twin	-	-
18	33.2314.6000	Motor 24V short shaft	33.2314.6000 motor 24 V, short shaft	-	-
19	33.2310.5000	Plate motor	33.2310.5000 angle motor	-	-
20	00.0047.3329	Oval head scr. PH M3x28 Inox	00.0047.3329 pan head screw ISO 7045-M 3x28-1.4301-H	-	-
21	33.2314.5000	Motor 24V long shaft	33.2314.5000 motor 24 V, long shaft	-	-
23	00.0047.3328	Oval head scr. PH M3x25 Inox	00.0047.3328 pan head screw ISO 7045-M 3x25-1.4301-H	-	-
27	00.0047.3363	Oval head scr. PH M4x10 Inox	00.0047.3363 pan head screw ISO 7045-M 4x10-1.4301-H	-	-
A			33.XXXX.XXXX Note: lid container, see drawing product hopper beans option	-	-
B	33.2918.7000	Powder container Twin cpl.	33.2918.7000 Twin Choc compl.	-	-
C			33.2918.6000 tray, twin	-	-
31	33.4171.1100	Locking powder container Twin	33.4171.1100 locking, twin from Mod.2 on	-	-
32	00.0047.3363	Oval head scr. PH M4x10 Inox	00.0047.3363 pan head screw ISO 7045-M 4x10-1.4301-H from Mod. 2, only self-service, tightening torque 1.7Nm	-	-



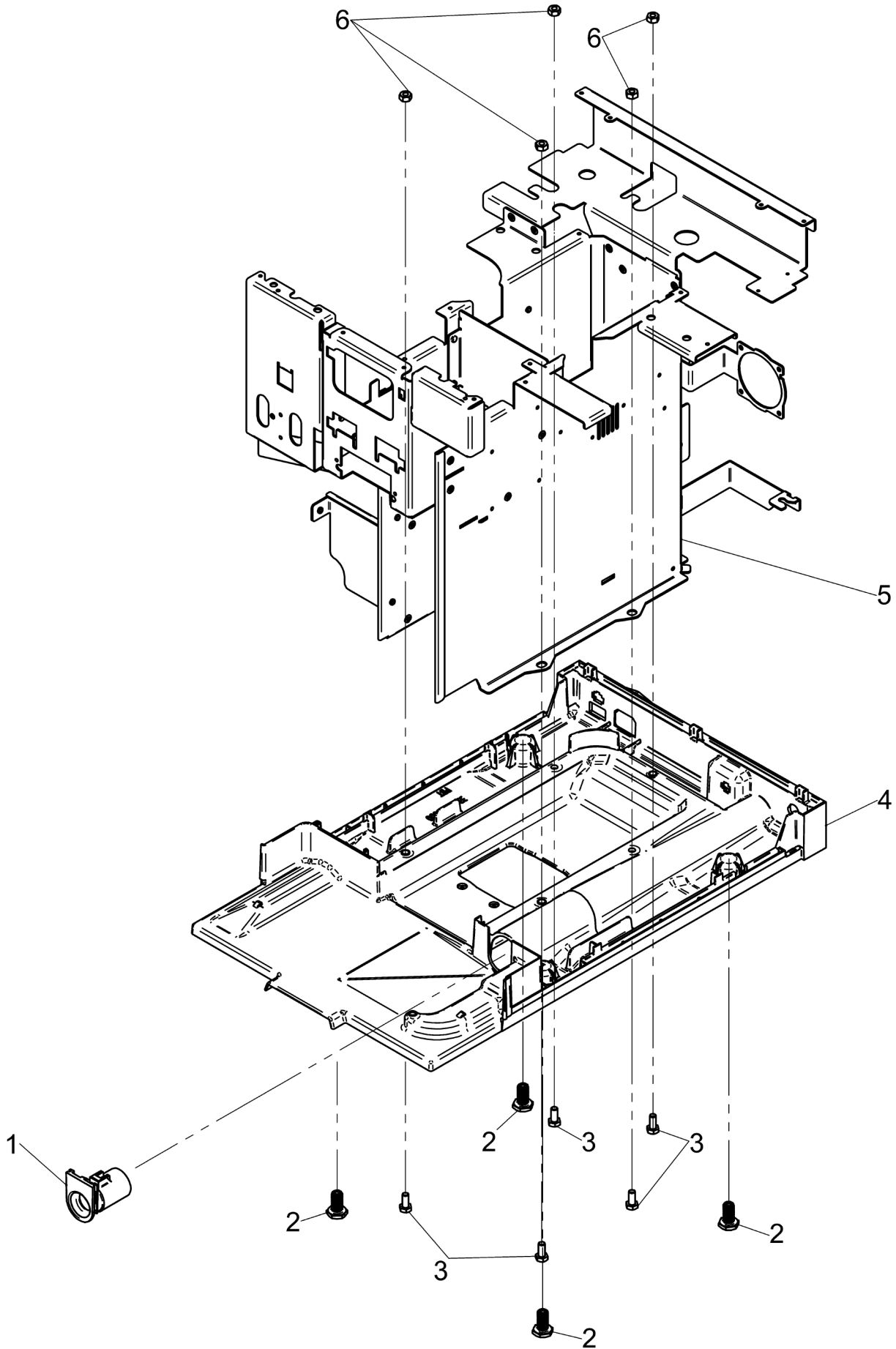
Pos.	Order no.	Designation	Information	EA1	EA2
1			33.4050.9000 powder hopper, extension	-	-
2			33.4173.0000 partition panel powder extension	-	-
3			33.4084.4000 adapter extensions	-	-
A			33.XXXX.XXXX Note: lid container, see dwg. product hopper Twin Choc	-	-
B			33.XXXX.XXXX Note: Twin Choc compl., see dwg. product hopper Twin Choc	-	-
C			33.XXXX.XXXX Note:	-	-
D			33.2923.9000 Twin Choc komplett with Extension	-	-



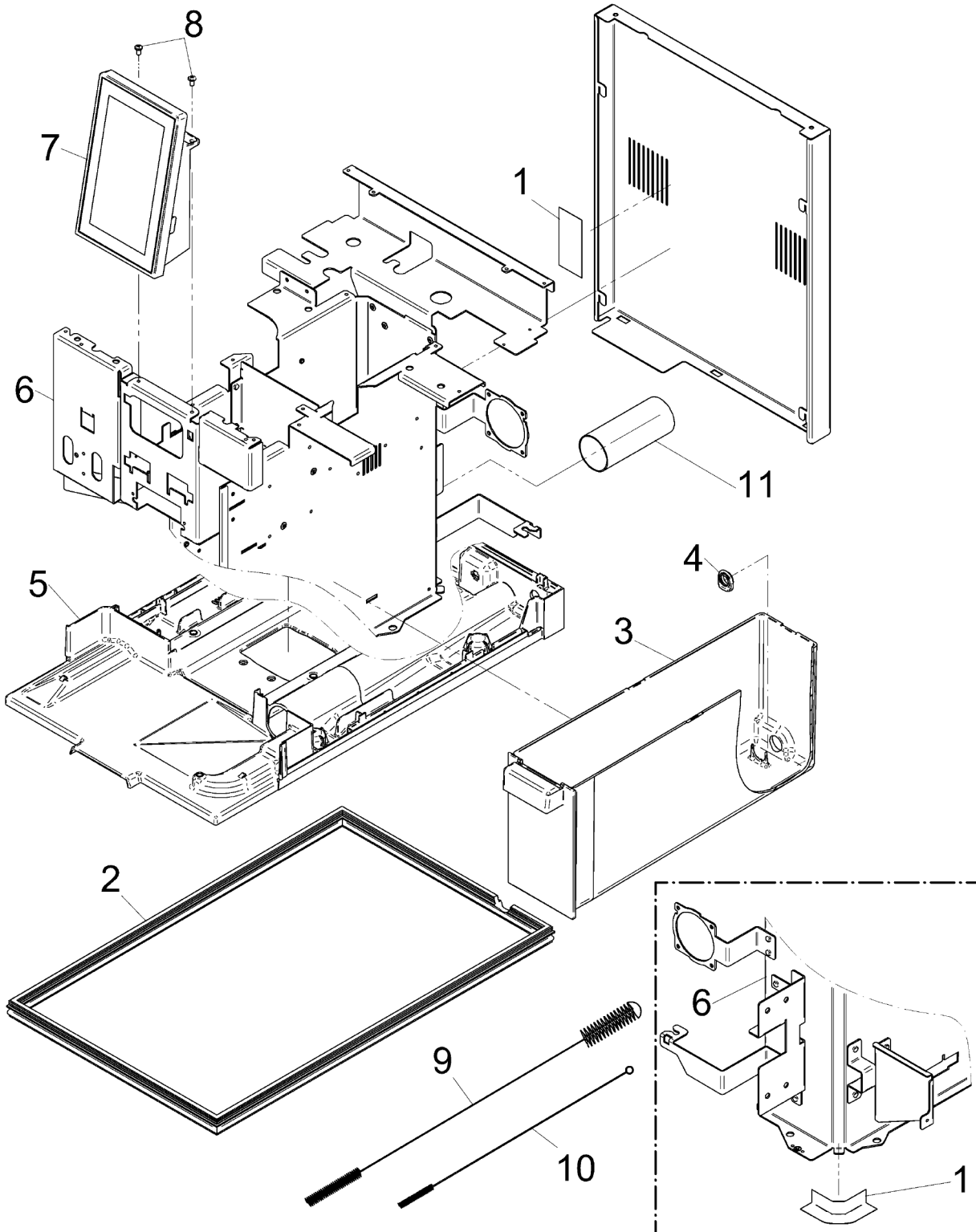
Pos.	Order no.	Designation	Information	EA1	EA2
A	33.2917.3000	Lid cpl. BHP/PC lockable SCClub	33.2917.3000 lid, lockable, compl.	-	-
D			33.2918.0000 Extension Beans container complete	-	-
E			33.2918.1000	-	-
1	33.2071.8000	Cam lock	33.2071.8000 cylinder lock	-	-
2	33.4084.2000	Lid BHP/PC lockable	33.4084.2000 lid	-	-
3	33.4122.5000	Knurled nut M16x1 Inox	33.4122.5000 knurled nut	-	-
4	33.2560.8000	Closing lever	33.2560.8000 locking lever	-	-
5	00.0047.0726	M4x6 Ms vni knurled screw	00.0047.0726 SCREW	-	-
6	33.4083.4000	Locking BHP/PC	33.4083.4000 hopper locking UL	-	-
8			33.4097.6000 bolt	-	-
9	33.4122.6000	Multi-tool	33.4122.6000 locking tool	1	-



Pos.	Order no.	Designation	Information	EA1	EA2
1			33.4050.9100	-	-
2			33.4091.7000 gear, powder	-	-
3			33.4083.9000 rocker, powder	-	-
4			33.4097.5000 intervening protection	-	-
5			33.4097.6000 bolt	-	-
9	33.2927.5000	Dosing screw holder	33.2927.5000 output	-	-
10	33.4125.9000	Drive shaft driver	33.4125.9000 pusher	-	-
15			33.4050.9100	-	-
16			33.4084.4000 adapter	-	-
17			33.XXXX.XXXX Note: see sheet powder hopper	-	-
18	00.0047.3363	Oval head scr. PH M4x10 Inox	00.0047.3363 pan head screw ISO 7045-M 4x10-1.4301-H from Mod.2, for self-service only, tightening torque 1.7Nm	-	-
A			33.XXXX.XXXX Note: Powder container 0.45kg SCClub see sheet powder hopper	-	-
B			33.2918.3000	-	-
C			33.XXXX.XXXX Note: Bean hopper/PC lid cpl. lockable SCClub see sheet bean hopper extension	-	-
D			33.2918.5000	-	-



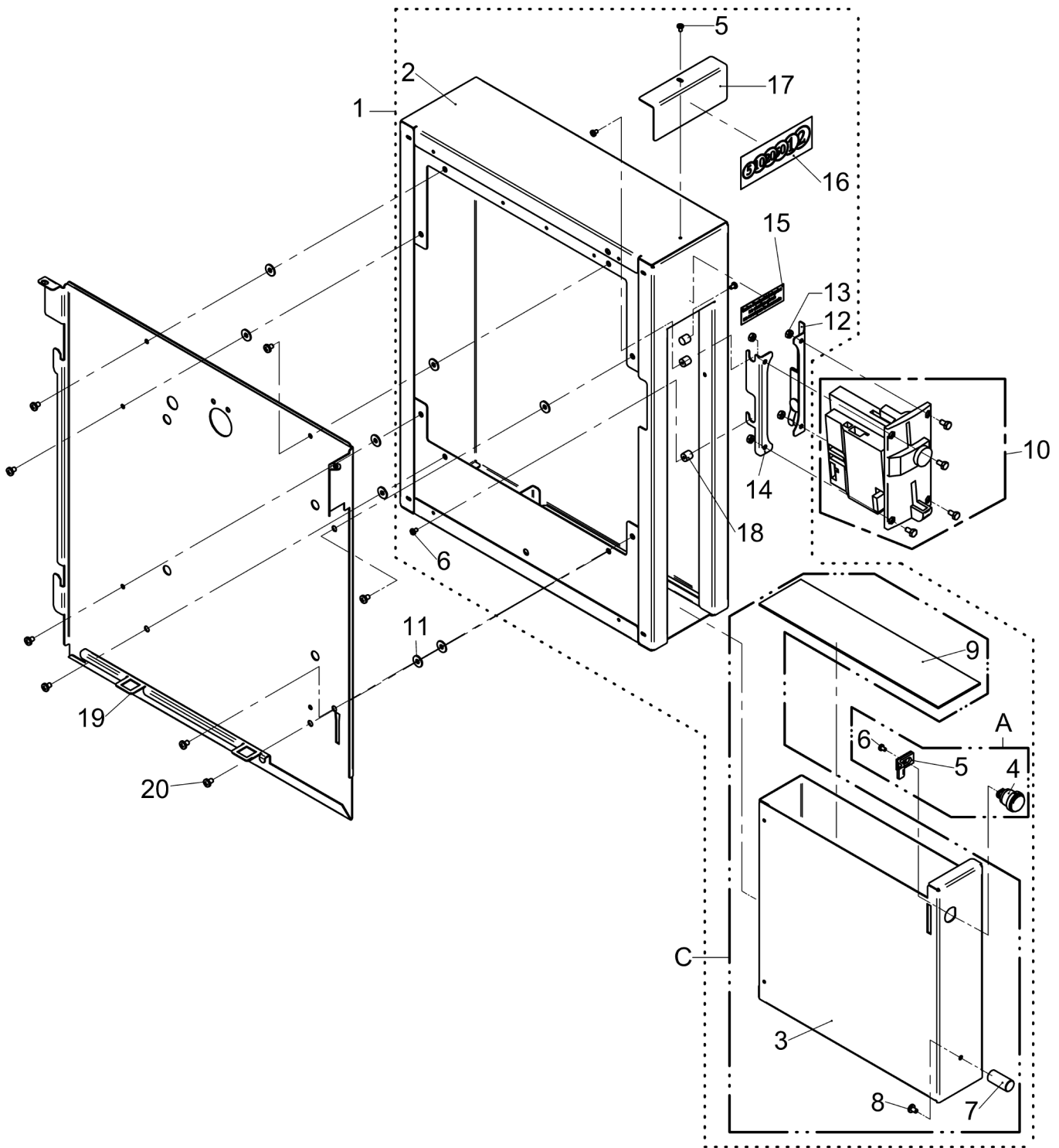
Pos.	Order no.	Designation	Information	EA1	EA2
1	33.4055.6000	Coupling sleeve drip tray	33.4055.6000 coupling grommet	1	-
2	33.2242.2000	Rubber screw foot	33.2242.2000 threaded foot Included, USA	-	-
3			00.0047.1429 hexagon-screw ISO 4017-M 6x12-8.8-A2K	-	-
6	00.0047.2055	Hex nut M6 Inox	00.0047.2055 hexagonnut ISO 4032-M 6-1.4301	-	-



Pos.	Order no.	Designation	Information	EA1	EA2
1	33.2324.6000	Adhesive tape 102x150 alu	33.2324.6000 adhesive tape soft aluminum, 2 inner slits in rear cover must be covered	-	-
1	33.2324.6000	Adhesive tape 102x150 alu	33.2324.6000 adhesive tape	-	-
2	33.4057.7000	Floor Profile seal SCClub	33.4057.7000 profile seal	-	-
3			33.XXXX.XXXX Note: water tank see drawing cover parts	-	-
4	33.4123.0000	Seal	33.4123.0000 seal	-	-
5			33.XXXX.XXXX Note: bottom see drawing base frame	-	-
6			33.XXXX.XXXX Note: rack compl. see drawing base frame	-	-
7			33.XXXX.XXXX Note: HMI WMF1100S USA see drawing front panel	-	-
8			33.XXXX.XXXX Note: flat head screw see drawing front panel	-	-
9	33.1521.9000	Brush D13x75-D25x75/500 PA	33.1521.9000 <i>cleaning</i> brush	-	-
10	33.1580.8000	Brush D7.5x50/350 PA	33.1580.8000 <i>cleaning</i> brush	-	-
11			33.4248.2000 shrink sleeve	-	-

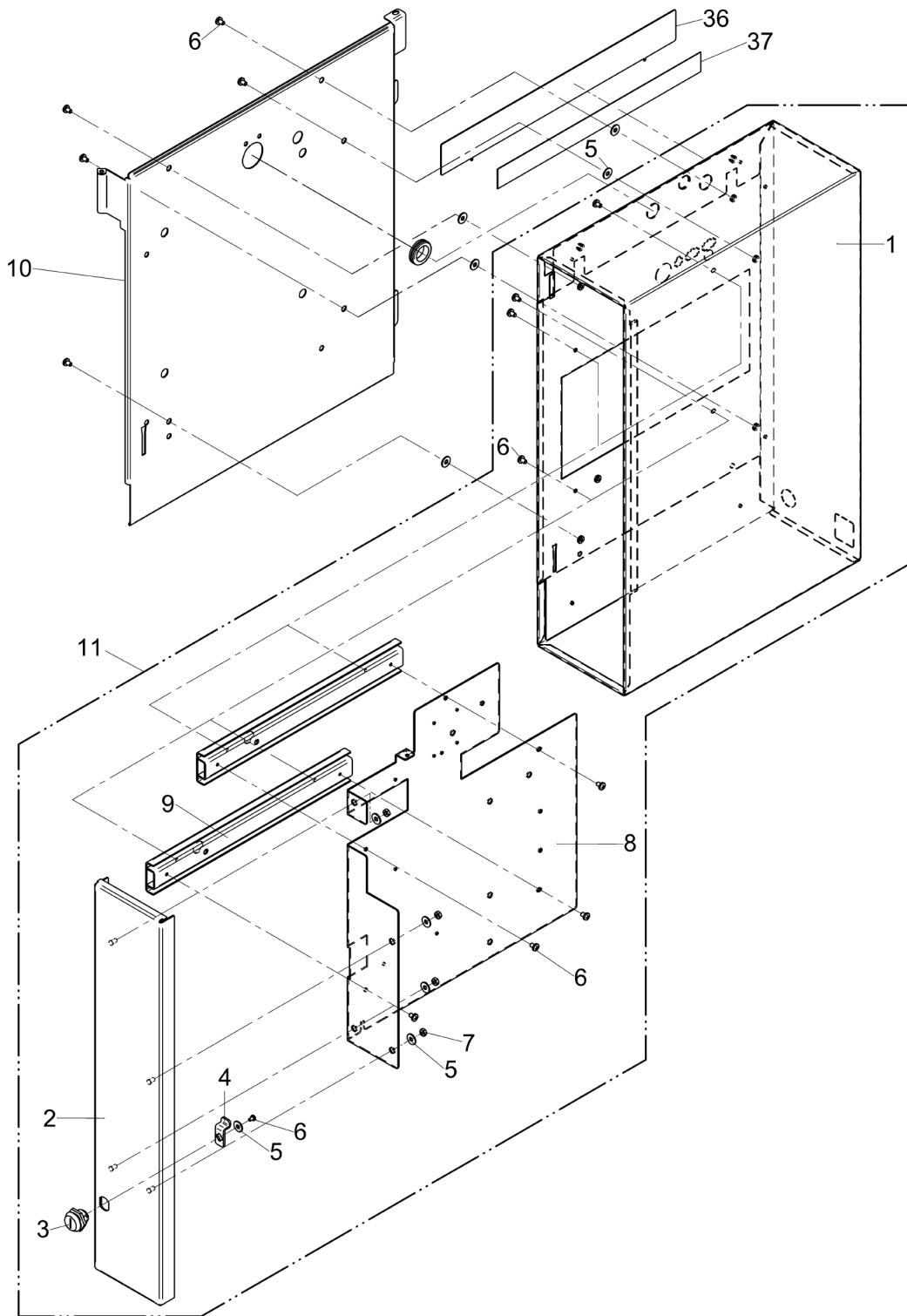
keine
Illustration

Pos.	Order no.	Designation	Information	EA1	EA2
10	33.3331.1000	Retrofitting set CM Gateway EU	33.3331.1000 retrofit kit, CM Gateway, EU	-	-
10			33.3331.1100 retrofit kit, CM Gateway, JP	-	-
10			33.3331.1200 retrofit kit, CM Gateway, US	-	-
10			33.3331.1400 retrofit kit, CM Gateway, AU	-	-
10			33.3331.1600	-	-
11	33.3325.3000	Mains water supply retrofitting set	33.3325.3000 retrofit kit, fixed water-kit-1120	-	-
12	33.3325.4000	Retrofitting set UM-CU WMF	33.3325.4000 retrofit kit, under-machine cooler-1120	-	-
13	33.3325.5000	Retrof.kit Under-counter grounds dispos.	33.3325.5000 retrofit kit, disposal th. counter-1120	-	-
14			33.3325.6000 retrofit kit, extension, beans, WMF1120 lockable	-	-
15			33.3325.8000 retrofit kit, extension, powder, WMF1120 lockable	-	-
16	33.3326.8000	BH extension lock. retrofitting set	33.3326.8000	-	-
17	33.3327.0000	PC extension lock. retrofitting set	33.3327.0000	-	-
18	33.3327.3000	Bluetooth module	33.3327.3000 retrofit kit, bluetooth-1120	-	-
19	33.3327.8000	Retrofitting set Basic Steam 1120	33.3327.8000 retrofit kit Basic Steam WMF 1120	-	-
20	33.3327.9000	Retrofitting set Basic Steam Schaerer	33.3327.9000 retrofit kit Basic Steam SCH 1120	-	-
21	33.3328.6000	Retrofitting set coin tester WMF 1120S	33.3328.6000 retrofit kit coin checker WFM 1120	-	-
22	33.3328.7000	Retrofitting set coin changer WMF 1120S	33.3328.7000 retrofit kit coin changer WMF 1120	-	-
23			33.3328.9000 retrofit kit, eMDB-1120	-	-
24			33.3329.0000 machine maintenance set type 1120	-	-
25	33.3329.5000	Retrofitting set serial port SCClub	33.3329.5000 retrofit kit serial interface 1120	-	-
26			33.3329.7000 Nachrüstung_MP_Geh._o._Einsatz_WMf-1120	-	-
27			33.3329.8000 retrofit_cc_housing w/o inlay_1120	-	-
28			33.3329.9000 Card reader housing without inlay	-	-
29			33.3330.0000	-	-
30			33.3330.2000 Retrof.kit feet 40mm 1100/1500/5000/9000	-	-

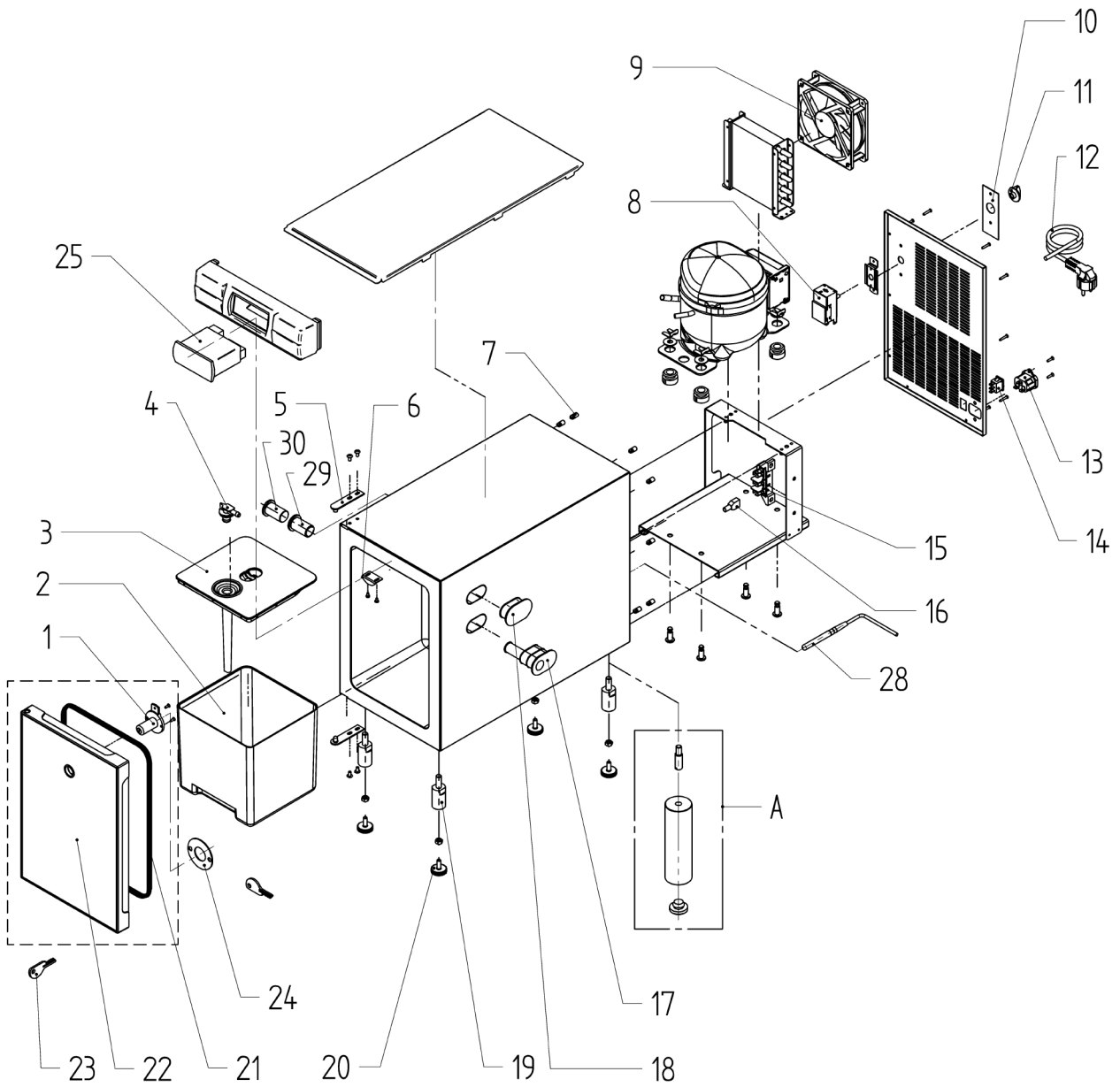


Pos.	Order no.	Designation	Information	EA1	EA2
1	33.2939.9000	Housing retrofitting set coin tester	33.2939.9000 coin checker housing w/o coin checker insert	-	-
2			33.2939.7000 cover coin checker, compl.	-	-
3	33.2825.2000	Coin cartridge	33.2825.2000 hopper	-	-
4	33.1529.1000	Lock+2 keys add-on housing	33.1529.1000 cylinder lock	-	-
5	33.0714.2000	Closing lever	33.0714.2000 locking lever	-	-
6	00.0047.3313	Oval head scr. PH M3x5 Inox	00.0047.3313 pan head screw ISO 7045-M 3x 5-1.4301-H	-	-
7			33.2212.9000 handle	-	-
8	00.0047.3358	Pan head scr. PH M4x6 Inox	00.0047.3358 pan head screw ISO 7045-M 4x 6-1.4301-H	-	-
9			33.2323.5000 inlay	-	-
10			33.2263.2400 coin checker, MDB Norway/Sweden	-	-
10	33.2263.2000	Coin tester Phoenix MDB EUR	33.2263.2000 coin checker, MDB Euro	-	-
10	33.2263.2100	Coin tester	33.2263.2100 coin checker, MDB CH	-	-
10	33.2263.2200	Coin tester Phoenix MDB GBP	33.2263.2200 coin checker, MDB GB	-	-
10	33.2263.2900	Coin tester MDB DKK	33.2263.2900 coin checker, MDB Denmark	-	-
10			33.2263.2500 coin checker, MDB Token, Coffee Center, Sweden	-	-
11	00.0047.2197	Washer 4.3/12x1 Inox	00.0047.2197 washer ISO 7093-1-4-200HV-1.4301	-	-
12	33.2825.7000	Holder coin tester right	33.2825.7000 angle, spring plate, compl.	-	-
13	00.0047.2049	Hex nut M4 Inox	00.0047.2049 hexagonnut ISO 4032-M 4-1.4301	-	-
14	33.2323.7000	Holder coin tester left	33.2323.7000 angle	-	-
15	33.9506.5000	Sticker coin tester	33.9506.5000 adhesive labels	-	-
16	33.2327.8000	Sticker Euro	33.2327.8000 label Euro	-	-
17			33.4136.9000 angle holder, label	-	-
18	33.2287.4000	Bolt M3/8x8 POM	33.2287.4000 bolt	-	-
19	33.4051.3300	Add-on housing right housing	33.4051.3300 side cover, right coin changer, vending machines	-	-
20	00.0047.3356	Oval head scr. PH M4x5 Inox	00.0047.3356 pan head screw ISO 7045-M 4x 5-1.4301-H	-	-
99			33.4068.2000 cable set, coin checker MP-MDB, 1100S	-	-
99	33.0649.3000	Cable tie 2.4x201 PA natural	33.0649.3000 cable clip	-	-
99			33.1691.1000 cable clip	-	-
A	33.2826.5000	Lock+locking lever cpl.	33.2826.5000 lock with locking lever compl.	-	-
C	33.2826.7000	Coin cartridge compl.	33.2826.7000 coin cartridge, compl.	-	-

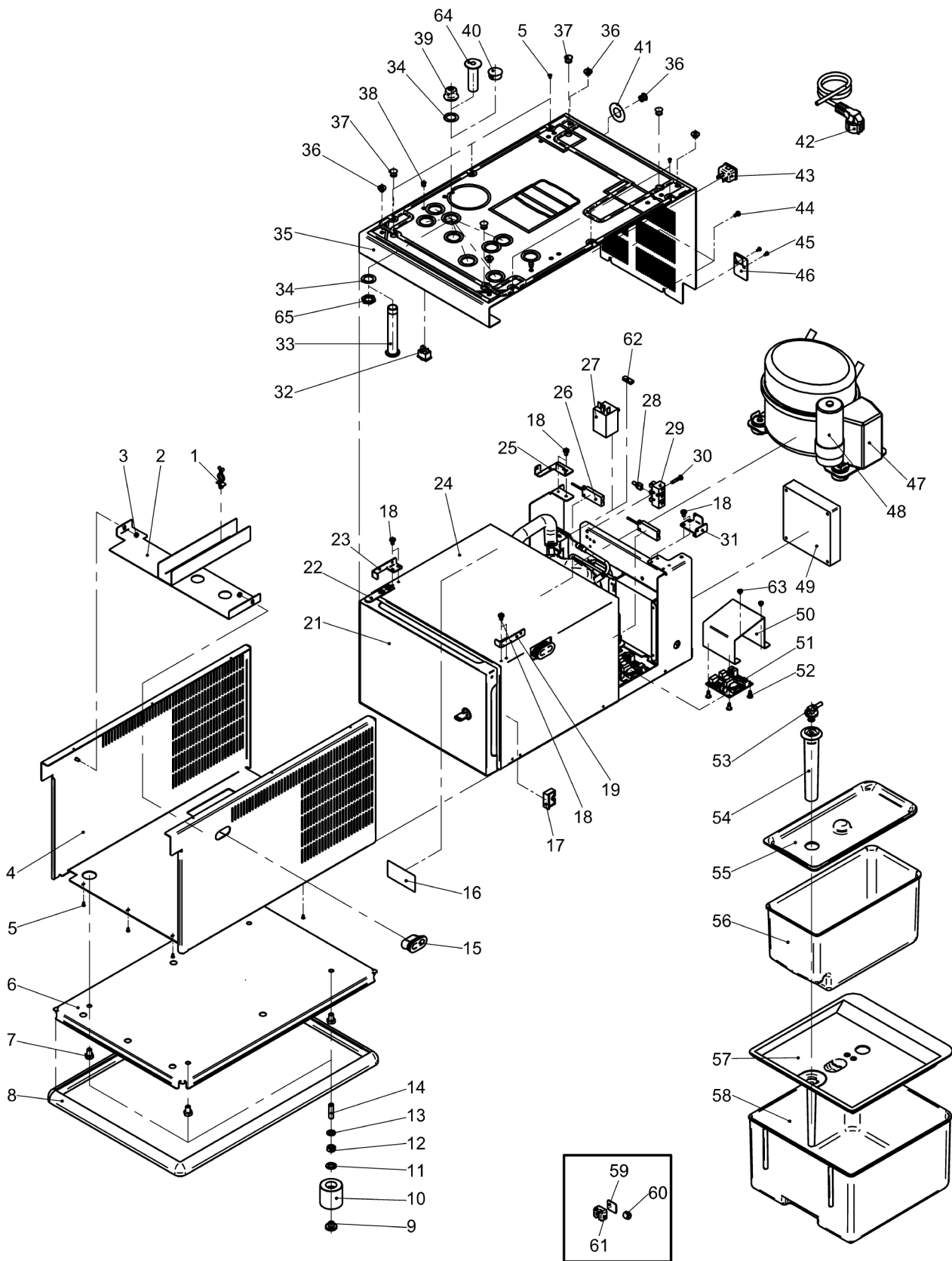
Pos.	Order no.	Designation	Information	EA1	EA2
1	33.2827.0000	Add-on housing coin changer	33.2827.0000 cover, compl.	-	-
2	33.2826.9000	Coin cartridge cpl.	33.2826.9000 coin cartridge, compl.	-	-
3			33.2108.1299 coin changer 7900 MDB	-	-
3			33.2589.3000 combo coin tube cassette for coin changer 7900 MDB	-	-
4	33.2328.7000	Front cover coin charger	33.2328.7000 operating panel	-	-
5	33.1529.1000	Lock+2 keys add-on housing	33.1529.1000 cylinder lock with key	-	-
6	33.2826.2000	Locking lever cpl.	33.2826.2000 locking lever, compl.	-	-
7	00.0047.2250	Toothed washer DIN 6797-A3-1.4	00.0047.2250 tooth lock washer DIN 6797-A 3,2-1.4300	-	-
8	00.0047.3313	Oval head scr. PH M3x5 Inox	00.0047.3313 pan head screw ISO 7045-M 3x 5-1.4301-H	-	-
9	33.1482.4000	Release pusher CC	33.1482.4000 slider	-	-
10	33.2336.6000	Adhesive label CC Presto	33.2336.6000 adhesive labels coin changer	-	-
11	33.2331.5000	Key switch+cable cpl.	33.2331.5000 switch lock, compl.	-	-
12	33.2826.1000	Coin changer insertion slot	33.2826.1000 insert chute	-	-
13	00.0047.2049	Hex nut M4 Inox	00.0047.2049 hexagonnut ISO 4032-M 4-1.4301	-	-
14	33.1179.5000	Spacer plate	33.1179.5000 guide	-	-
15	33.1180.7000	Pusher plate	33.1180.7000 plate	-	-
16	33.1179.4000	Guide for release pusher CC	33.1179.4000 guide	-	-
17	00.0047.2245	Lock washer 4/9.3x0.7 Inox	00.0047.2245 locking washer DIN 6799- 4-1.4122	-	-
18	33.1179.6100	Bracket	33.1179.6100 angle	-	-
19	33.1368.2000	Bolt 6x48 Inox	33.1368.2000 bolt	-	-
20	33.0191.4000	Pressure spring 0.7x6.4x42 springst.	33.0191.4000 pressure spring	-	-
21	00.0047.3656	PT oval head scr. PH 25x5 Inox	00.0047.3656 EJOT PT-screw KA 25x 5-WN 1412-A2	-	-
22	33.2327.4000	Angle guidance	33.2327.4000 angle, guide	-	-
23	00.0047.2197	Washer 4.3/12x1 Inox	00.0047.2197 washer ISO 7093-1-4-200HV-1.4301	-	-
24	33.1310.2000	Spacer sleeve 4/4.9x5.5 bs	33.1310.2000 sleeve	-	-
25	00.0047.3361	Oval head scr. PH M4x8 Inox	00.0047.3361 pan head screw ISO 7045-M 4x 8-1.4301-H	-	-
26	33.1502.2000	Cable holder PA nature	33.1502.2000 cable support	-	-
27	33.2334.4000	Angle operating lever	33.2334.4000 angle operation lever	-	-
28	00.0047.2101	Self-locking nut washer M5 glvb PA	00.0047.2101 Comby-SHB-nut-M5-Selbstsichernd-A2K	-	-
29	33.2333.1000	Telescopic slides pair	33.2333.1000 telescoping rail pair	-	-
30	00.0047.3358	Pan head scr. PH M4x6 Inox	00.0047.3358 pan head screw ISO 7045-M 4x 6-1.4301-H	-	-
31	00.0047.3368	Oval head scr. PH M4x20 Inox	00.0047.3368 pan head screw ISO 7045-M 4x20-1.4301-H	-	-
32			33.4160.7000	-	-
33	33.2564.4000	Cable grommet 18/27x1 EPDM bk	33.2564.4000 rubber funnel	-	-
34	00.0047.3356	Oval head scr. PH M4x5 Inox	00.0047.3356 pan head screw ISO 7045-M 4x 5-1.4301-H	-	-
35	33.2808.9000	Add-on coin changer housing right	33.2808.9000 coin changer, add-on housing	-	-
37	00.0048.4964	Adhesive tape 25mmx50m PUR bk	00.0048.4964 Adhesive tape 25x0,54 Tesafix 4976 schwa double faced, 300mm	-	-
99	33.2594.2000	MDB Cable	33.2594.2000 cable set, MDB	-	-
99	33.4087.9000	Adapter cable MDB 2-fold	33.4087.9000 adapter cable	-	-
99	33.0649.3000	Cable tie 2.4x201 PA natural	33.0649.3000 cable clip	-	-
99			33.1691.1000 cable clip	-	-
99			33.0344.9000 cable attachment	-	-



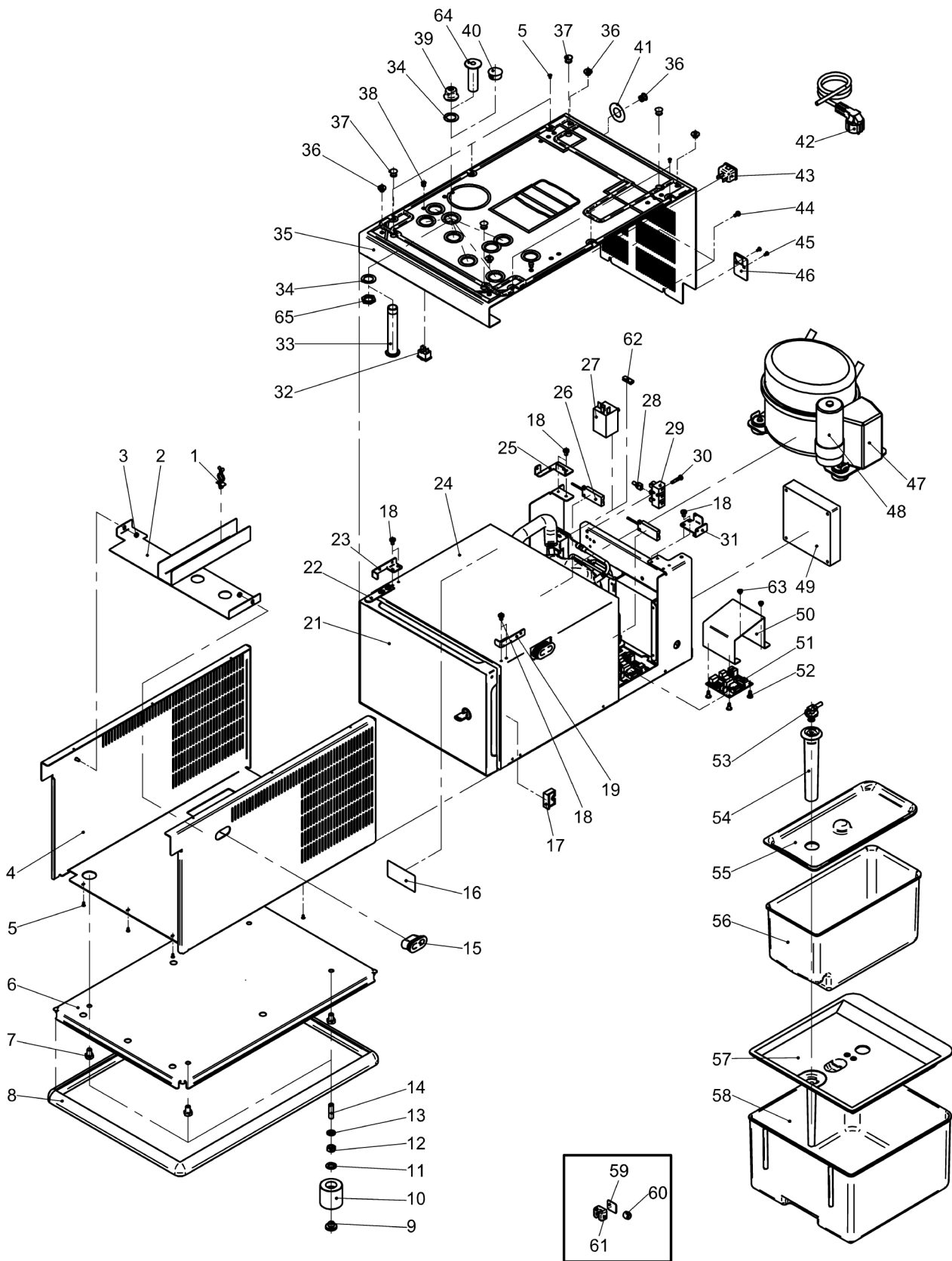
Pos.	Order no.	Designation	Information	EA1	EA2
1	33.2808.4000	Add-on housing	33.2808.4000 cover 130mm wide	-	-
1	33.2808.4100	Add-on housing card reader	33.2808.4100 cover 130mm wide for attaching the coin changer	-	-
2	33.2355.2000	Front cover card reader	33.2355.2000 operating panel 130mm wide	-	-
3	33.2071.8000	Cam lock	33.2071.8000 cylinder lock	-	-
3	33.2071.8100	Spare key	33.2071.8100 spare key	-	-
4	33.2119.3000	Closing lever	33.2119.3000 locking lever	-	-
5	00.0047.2197	Washer 4.3/12x1 Inox	00.0047.2197 washer ISO 7093-1-4-200HV-1.4301	-	-
6	00.0047.3358	Pan head scr. PH M4x6 Inox	00.0047.3358 pan head screw ISO 7045-M 4x 6-1.4301-H	-	-
7	00.0047.2049	Hex nut M4 Inox	00.0047.2049 hexagonnut ISO 4032-M 4-1.4301	-	-
8	33.2327.4000	Angle guidance	33.2327.4000 angle, guide	-	-
9	33.2333.1000	Telescopic slides pair	33.2333.1000 telescoping rail pair	-	-
10			33.4160.7000	-	-
11	33.2808.8000	Kartenlesergehäuse re 130 mm Inox	33.2808.8000 card reader accessory housing	-	-
99	33.2594.2000	MDB Cable	33.2594.2000 cable set, MDB	-	-
99	33.4087.9000	Adapter cable MDB 2-fold	33.4087.9000 adapter cable	-	-
99	33.0649.3000	Cable tie 2.4x201 PA natural	33.0649.3000 cable clip	-	-
99			33.1691.1000 cable clip	-	-
99			33.0344.9000 cable attachment	-	-



Pos.	Order no.	Designation	Information	EA1	EA2
1	33.2556.2000	Lock+2 key cooling unit WMF 9190	33.2556.2000 lock incl. 2 keys	-	-
1	00.0047.3106	Ctsk scr. PH PH M3x12 Inox	00.0047.3106 counter sunk screw ISO 7046-2-M 3x12-A2-	-	-
2	33.2546.6000	Milk container 3.5l	33.2546.6000 milk bowl for 03 9190 0000	-	-
2	33.2546.6100	Milk bowl narrow	33.2546.6100 milk bowl, with sensor for 03 9190 5000	-	-
3	33.2546.7000	Lid milk container 3.5l	33.2546.7000 cover, milk bowl	-	-
4	33.4073.5000	Hose adapter Plug & Clean 2K	33.4073.5000 Hose_Connector_Plug_and_Clean_2K	-	-
5	33.2555.9000	Hinge cpl. WMF 9190	33.2555.9000 hinge compl.	-	-
5	00.0047.3363	Oval head scr. PH M4x10 Inox	00.0047.3363 pan head screw ISO 7045-M 4x10-1.4301-H	-	-
6	00.0047.3321	Oval head scr. PH M3x12 Inox	00.0047.3321 pan head screw ISO 7045-M 3x12-1.4301-H	-	-
6	33.2556.0000	Striking plate WMF 9190	33.2556.0000 closing plate	-	-
7	33.2556.6000	Spacer sleeve 3.4/6.7x8 PA	33.2556.6000 sleeve, rear cover	-	-
8	33.2555.0000	WMF 9190 thermostat	33.2555.0000 thermostat	-	-
9	33.2554.9000	Axial fan 119x119x38 230V AC 2100rpm	33.2554.9000 fan 230 V, for 03 9190 0000	-	-
9	33.4039.5000	Axial fan 119x119x38 240V AC 1600rpm	33.4039.5000 fan 240 V, for 03 9190 5000	-	-
9	33.2554.8000	Axial fan 119x119x38 115V AC 2100rpm	33.2554.8000 fan 115 V, for 03 9190 0000	-	-
10	33.2556.1000	Sign thermostat WMF 9190	33.2556.1000 label, thermostat	-	-
12	33.2555.2000	Power cable 250V 16A Schuko C13W 2m	33.2555.2000 cable, mains power connection Europe	-	-
12			33.2555.3000 cable, mains power connection USA	-	-
12			33.2556.5000 cable, mains power connection Japan	-	-
12	33.2558.0000	Power cable 250V 10A China C13L 1m	33.2558.0000 cable, mains power connection China	-	-
13	33.2556.4000	Device connect. 250V AC 10A PX579	33.2556.4000 low-power device plug	-	-
14	33.2555.6000	Toggle switch 1-pole 125V AC 10A gn	33.2555.6000 on/off switch	-	-
15	33.2555.7000		33.2555.7000 terminal strip, 3-pole	-	-
16	33.2218.5000	Flat pin recept. 6.3x0.8 ins.	33.2218.5000 cap plug onto exposed contacts of the power terminal	-	-
17	33.2445.0000	Hose opening in WMF side cooling unit	33.2445.0000 hose pass-through	-	-
18	33.2487.2000	Cooling unit cover cap	33.2487.2000 cover	-	-
20	33.2555.4000	Screw foot M6x16 22.5	33.2555.4000 foot adjustable	-	-
21	33.2555.8000	Door seal cpl.	33.2555.8000 seal, door silicone	-	-
22	33.4166.9000	Door cpl. lockable cool. unit 9190 black	33.4166.9000 door front, black, compl.	-	-
23	33.2617.2000	Cam lock key	33.2617.2000 key	-	-
24			33.4038.8000 seal	-	-
25	33.4038.9000	Thermostat digital -50 bis 90°C 230V	33.4038.9000 thermostat for 03 9190 5000	-	-
28	33.4039.2000	Temperature sensor NTC	33.4039.2000 NTC probe	-	-
29			33.4096.8000 milk hose guide, left inside	-	-
30			33.4096.9000 milk hose guide, left outside	-	-
A	33.1389.3000	Foot	33.1389.3000 foot	-	-
A	33.2369.0000	Foot 100mm	33.2369.0000 foot, 100 mm	-	-
A	33.3312.9100	Retrofitting set feet M6	33.3312.9100 Retrof.kit feet 100 mm Cooler 9190	-	-
A	33.2468.0000		33.2468.0000 threaded pin	-	-



Pos.	Order no.	Designation	Information	EA1	EA2
1	33.1502.2000	Cable holder PA nature	33.1502.2000 cable support	-	-
2	33.2851.9000	Under-machine cooling unit strut	33.2851.9000 stiffener compl.	-	-
3	00.0047.2049	Hex nut M4 Inox	00.0047.2049 hexagonnut ISO 4032-M 4-1.4301 ISO 4032-M4-1.4301	-	-
5	00.0047.3105	Ctsk scr. PZ M3x6 Inox	00.0047.3105 counter sunk screw ISO 7046-2-M 3x 6-1.4	-	-
6	33.2488.8000	Bottom housing UM CU	33.2488.8000 angle, auxiliary base	-	-
7	00.0047.1408	Hexagon screw M8x12 Inox	00.0047.1408 hexagon-screw ISO 4017-M 8x12-1.4301	-	-
8	33.2488.9000	Rubber base	33.2488.9000 rubber, profile stand, UTK	-	-
9	33.1389.3000	Foot	33.1389.3000 foot only option feet	-	-
11	00.0047.2146	Washer 10.5/18x1.6 Inox	00.0047.2146 washer ISO 7092-10-1.4301 ISO 7092-10-1.4301	-	-
12	00.0047.2056	Hex nut M8 Inox	00.0047.2056 hexagonnut ISO 4032-M 8-1.4301	-	-
13	00.0047.2148	Washer 8.4/15x1.6 glvb	00.0047.2148 washer ISO 7092- 8-1.4301	-	-
14	00.0047.2363	Slotted threaded pin M8x30 FP Inox	00.0047.2363 Threaded pin ISO 4766-M 8x30-1.4301	-	-
15	33.2359.3000	Cover cap 43x23 silicone transparent	33.2359.3000 glass stopper silicone	-	-
17	33.4131.9000	Locking cooling unit	33.4131.9000 lock	-	-
18	00.0047.3381	Oval head scr. PH M4x8 Inox	00.0047.3381 pan head screw ISO 7045-M 5x 8-1.4301-H	-	-
19	33.2630.2000	Stopper plate ri	33.2630.2000 rest, right	-	-
21	33.4131.7000	Door cooling unit lockable cpl.	33.4131.7000 door	-	-
21	33.4131.8000	Cam lock incl. 2key	33.4131.8000 lock	-	-
21	33.4132.0000	Profile seal door under-mach.cool.unit	33.4132.0000 seal	-	-
22	33.4132.1000	Hinge cpl. cooling unit	33.4132.1000 hinge	-	-
26	33.4115.9000	Capacitive proximity sensor 36V DC	33.4115.9000 proximity switch	-	-
27	33.2555.0000	WMF 9190 thermostat	33.2555.0000 thermostat	-	-
29	33.1636.9000	Plug-screw block 3p 400V 16A	33.1636.9000 terminal strip	-	-
30	00.0047.3370	Oval head scr. PH M4x22 Inox	00.0047.3370 pan head screw ISO 7045-M 4x22-1.4301-H	-	-
32	33.2415.3000	Toggle switch 1-pole 125V AC 12A gn	33.2415.3000 switch on/off 125V	-	-
32	33.2334.7000	Rocker switch 1-pin 250V AC 10A gn	33.2334.7000 switch on/off 230V	-	-
33	33.2142.2400	Hose guide UM CU	33.2142.2400 threaded connector 9469	-	-
34	33.2540.3000	Flat seal 16.8/26x1 EPDM 60 Sh A	33.2540.3000 cap	-	-
36	33.2502.9000	Bolt 5x5 Inox	33.2502.9000 bolt	-	-
37	33.0678.7000	Cover cap 11x8.7 Nylon bk	33.0678.7000 cap	-	-
38	33.1246.4000	Cover cap 25.5x3.2 bk	33.1246.4000 cap	-	-
39	33.2540.2000	Hose guide nut	33.2540.2000 cap until 2010	-	-
40	33.0677.6000	Cover cap 22.2x10 PA bk	33.0677.6000 cap	-	-
42	33.2399.9100	Power cable 250V 16A Schuko C13L 2m	33.2399.9100 mains cable 3/0.75mm VII K-C13L, Europe	-	-
43	33.2463.7000	Device connector C14 250V AC 15A Snap-in	33.2463.7000 low-power device plug	-	-
44	00.0047.3361	Oval head scr. PH M4x8 Inox	00.0047.3361 pan head screw ISO 7045-M 4x 8-1.4301-H	-	-
45	00.0047.3316	Oval head scr. PH M3x6 Inox	00.0047.3316 pan head screw ISO 7045-M 3x 6-1.4301-H	-	-
47	33.4131.5000	Relay cooling unit	33.4131.5000 relay	-	-
47	33.4131.6000	PTC-Relay	33.4131.6000 PTC relay	-	-
48	33.4131.4000	Capacitor 60µF	33.4131.4000 starting capacitor	-	-
49	33.4131.3000	Axial fan 119x119x25 115V AC 2300rpm	33.4131.3000 fan 115V	-	-
49	33.4131.2000	Axial fan 119x119x25 230V AC 2300rpm	33.4131.2000 fan 230V	-	-
51	33.2630.8000	Additional board Cooling unit	33.2630.8000 reader card	-	-
52	33.2280.3000	Spacer 5x6 PA wh	33.2280.3000 spacer with head	-	-
53	33.2427.5000	Hose adapter Plug&Clean	33.2427.5000 adapter Plug & Clean	-	-
54	33.9520.2100	Riser pipe 140mm to milk bowl	33.9520.2100 riser, milk container 1 US gallon	-	-
55	33.9520.1100	Lid Plug & Clean	33.9520.1100 lid Plug and Clean, 1US-Gal. Pipe	-	-
56	33.9520.0000	Milk container Plug & Clean 1US Gal.	33.9520.0000 milk bowl Plug and Clean 1US-Gallon	-	-
57	33.4132.7000	Cover cap 25.5x4.8 SI wh	33.4132.7000 cap	-	-
57	33.4118.6000	Lid milk container	33.4118.6000 cover, milk bowl milk container	-	-
57	33.4118.6100	Lid milk container CM	33.4118.6100 cover, milk bowl	-	-
58	33.4118.7000	Milk container Cooling unit-2015	33.4118.7000 milk bowl	-	-
59	33.2509.7000	Double-sided adhes. tape 0.8x20x22 bk	33.2509.7000 adhesive pad for hose guidance left	-	-
60	33.2180.5000	Spacer sleeve 7.3/13.5x12 POM	33.2180.5000 sleeve for hose guidance left	-	-
63	00.0047.3355	Oval head scr. PH M4x4 Inox	00.0047.3355 pan head screw ISO 7045-M 4x 4-1.4301-H	-	-
64			33.2612.2100 threaded connector for under machine cooler NG	-	-
64			33.2612.2000 threaded connector for under machine cooler NG	-	-
65			33.9510.0000 nut Mc Donalds	-	-



Pos.	Order no.	Designation	Information	EA1	EA2
99			33.0916.8000 user manual	-	-
99	33.2447.8000	Control cable milk monitoring	33.2447.8000 cable set, empty message Y cable empty message and 2 milk	-	-
99	33.0649.3000	Cable tie 2.4x201 PA natural	33.0649.3000 cable clip	-	-
99	33.2470.4000	Cooling unit Power cable	33.2470.4000 cable set, grid terminal low-power device	-	-
99	33.2430.3000	Cable harness UM CU	33.2430.3000 cable set, integrated cooler under machine cooler	-	-
99	33.2444.9000	Connection cable temp+empty mess. 150cm	33.2444.9000 cable set, empty message milk empty message (external)	-	-