

MATÉRIALS.

MC-05 PC BOARD

MC-05 120V. # 033-0046

MC-05 240V. # 033-0047

CONTACTOR

LC1D18G7 : # 025-0023

VALVE

V1: 120V. G176 # 106-0064

V1: 240V. G176 # 106-0066

V2 : 120V. G94 # 106-0062

V2: 240V. G94 # 106-0063

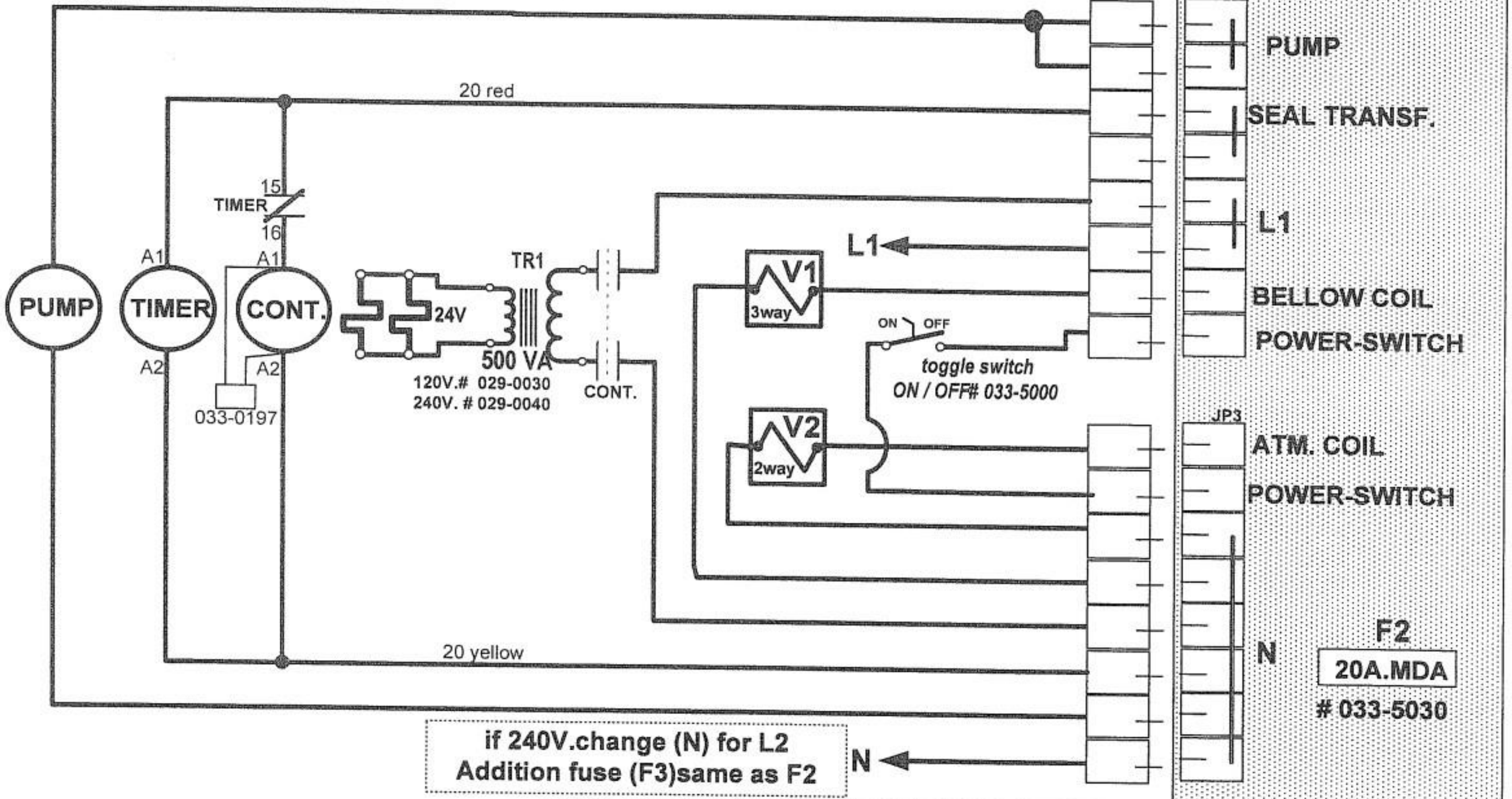
TIMER

RE11 RM MU : # 035-0107

MODE:A
SCALE:1 TO 10 SEC.
SET TO :2.5 SEC.

MC-05

limit switch cover # 026-0610



if 240V.change (N) for L2
Addition fuse (F3) same as F2

category	VACUUM PACK	model	300D	voil.	125-220V1Ph/60Hz-240/ 1Ph/50Hz	SIPROMAC				
system	1 work place			circuit	power	year	month	day	block	St-Germain de Grantham
usual functions	with MC05	1 pump KB20 (125V)				09	12	03		QUEBEC, CANADA
options		or 1 pump KB20 (240V/1ph)				concept	draw	app		
						DL	SP	DL		006A0477 PAGE 1 de 1

MATÉRIALS.

MC-05 PC BOARD

MC-05 120V. # 033-0046
 MC-05 240V. # 033-0047

CONTACTOR

LC1D18G7 : # 025-0023

VALVE

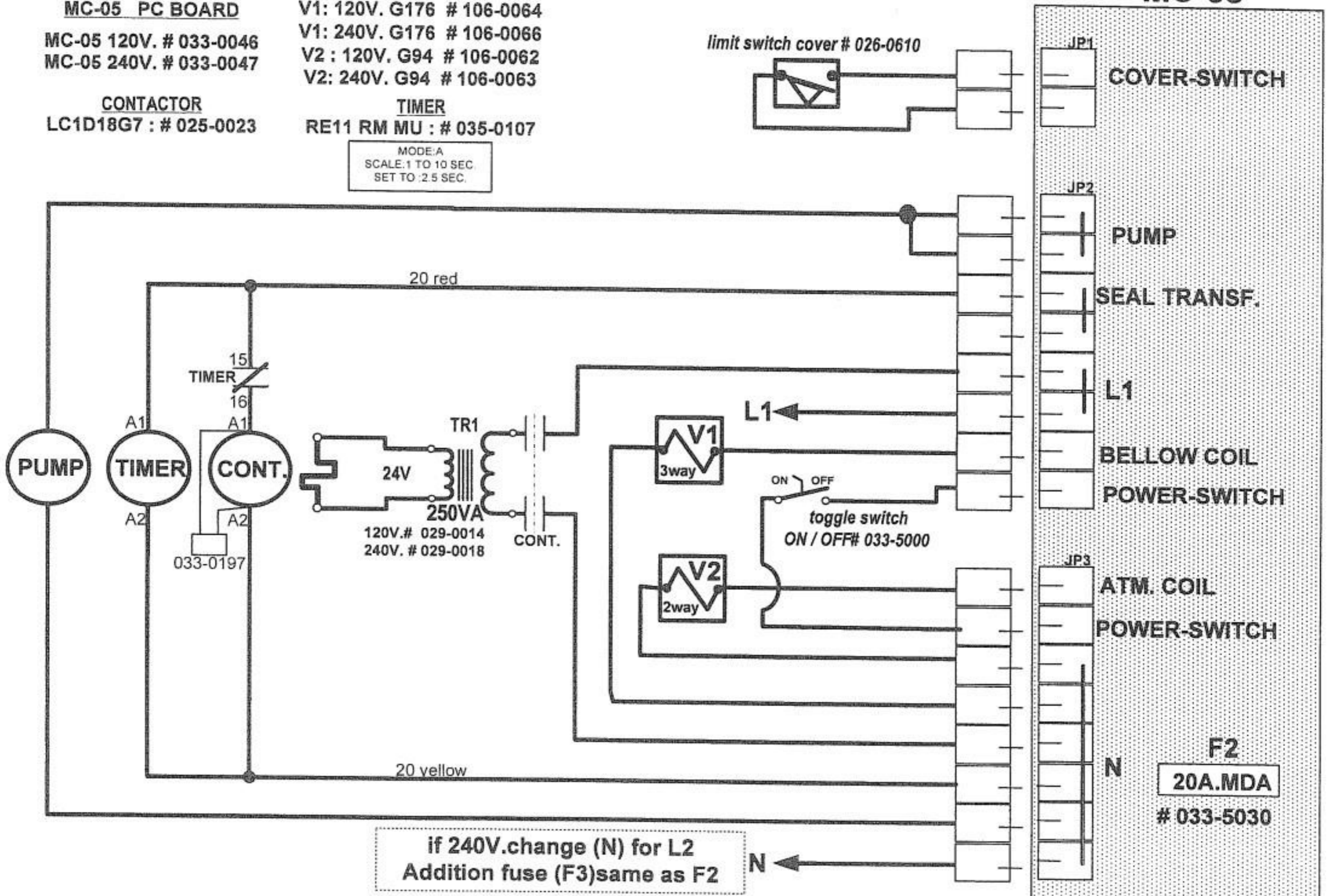
V1: 120V. G176 # 106-0064
 V1: 240V. G176 # 106-0066
 V2 : 120V. G94 # 106-0062
 V2: 240V. G94 # 106-0063

TIMER

RE11 RM MU : # 035-0107

MODE:A
 SCALE:1 TO 10 SEC
 SET TO :2.5 SEC.

MC-05



if 240V.change (N) for L2
 Addition fuse (F3)same as F2

category	VACUUM PACK	model	300	voil.	125-220V1Ph/60Hz-240/ 1Ph/50Hz				SIPROMAC St-Germain de Grantham QUEBEC, CANADA
system	1 work place			circuit	year	month	day	block	
usual fonctions	with MC05 1 pump KB20 (125V)			power	09	12	03		
options	or 1 pump KB20 (240V /1ph)			concept	draw	app			
					DL	SP	DL		006A0477 PAGE 1 de 1