

Technical Manual and Replacement Parts List

Refrigerated Pizza Prep Table



MODEL SKPZ92D1/C5

SILVER KING REFRIGERATION INC.

1600 Xenium Lane North, Minneapolis, MN 55441-3787
Phone (763) 923-2441

**SILVER KING®**

Specifications Subject to Change Without Notice.



TECHNICAL MANUAL
SILVER KING PREPARATION TABLES
MODEL SKPZ92D1/C5

Thank you for purchasing Silver King food service equipment. Our goal is to provide our customers with the most reliable equipment in the industry today. Please read this manual and the accompanying warranty information before operating your new Silver King unit. Be sure to complete and mail the warranty card within 10 days of purchase to validate your warranty.

INSPECT FOR DAMAGE AND UNCRATE

Upon delivery of your new Silver King unit, uncrate at once to inspect for possible freight damage following the instructions printed on the exterior of the container. Report any damages to the carrier responsible for transportation and promptly present a claim for any evidence of mishandling. Save all packaging materials if a claim is filed.

INSTALLATION

The stainless steel exterior of the cabinet has been protected by a plastic covering during manufacturing and shipping. This covering can be readily stripped before installation. After removing this covering, wash the interior and exterior surfaces using a warm, mild soapy water solution and a sponge or cloth, rinse with clean water and dry.

Legs/Casters

The unit comes with Legs or Casters. To install them, tilt the unit and thread the Legs or Casters into the 4 or 6 mounting brackets in the bottom of the cabinet. Make sure that they are installed tightly to prevent future thread wear.

Condenser Filter Screen

The Condenser Filter Screen, Screen Pull and Filter Guides are packaged inside the unit. The instructions for installing these parts are included in this technical manual. Do not operate the unit without the filter screen installed!

Pans and Pan Supports

The Pans and Pan Supports are packaged with the unit.

Cutting Board

The Cutting Boards are shipped with the cabinet. The Cutting Boards have two holes in them that align with studs installed on the top of the cabinet. To install the Cutting Boards place the back of the boards under the lip in front of the raised rail and set them down so the studs on the cabinet top align with the holes in the Cutting Boards. The Cutting Boards are reversible to extend wear.

Shelves

Inside the unit you will find Shelves and a plastic bag containing Shelf Supports. The Shelf Supports hook into the Pilasters that are mounted in the cabinet. The Shelf Supports with the tang go on the rear Pilasters. This shelf system allows for easy adjustment to suit your needs.

Door Adjustment and Swing

Should the Door ever require straightening, loosen the Screws on the Hinges, square the Door with the cabinet and retighten the Screws.

Drawers

To remove drawers for cleaning, simply open them fully, lift up on the front of drawer, and pull drawer out. Replace drawers in the same fashion. With drawer removed the roller members can be removed by rocking the top of the roller member out when the roller member is pushed all the way to the back of the cabinet. The drawer system is rated for a maximum dynamic load of 275 pounds. The drawers are not designed or intended as a surface to stand on. At no time should the drawers be extended and used as a platform for standing on to reach elevated equipment.

Location

When locating your new refrigerator, convenience and accessibility are important considerations, but the following installation guidelines must be followed:

- Always avoid placing the refrigerator adjacent to an oven, heating element or hot air source that would affect the operation of the unit.
- For proper ventilation the bottom front of the unit must not be obstructed. The unit must be on legs or casters to raise it off the floor. The unit can be installed tight on the sides and back.
- The unit must be level or tilted backwards slightly.

Electrical Connections

Be sure to check the data plate, located on the liner of the cabinet, for required voltage prior to connecting the unit to power. The specifications on the data plate supersede any future discussion.

The standard refrigerator is equipped with an eight (8) foot power cord that requires a 115 Volt, 60 Cycle, 1 Phase properly grounded electrical receptacle. The power cord comes with a 3 prong plug for grounding purposes. Any attempt to cut off the grounding spike or to connect to an ungrounded adapter plug will void the warranty, terminate the manufacturers responsibility and could result in serious injury.

The circuit must be protected with a 15 or 20 ampere fuse or breaker. The unit must be isolated on a circuit and not plugged into an extension cord.

OPERATION

Initial start up

After satisfying the installation requirements, the refrigerator is ready to start. The Compressor will start when the power cord is connected to the required power source. If the Compressor does not start when the unit is initially plugged in, check to make sure that the Temperature Control is not in the off position. Allow the unit to run for two hours before loading it with product. When loading the unit with product, take care not to block the air flow in the cabinet as this would affect the units performance.

Temperature Control

The Temperature Control is located on the back wall of the cabinet liner and is factory set to maintain an average cabinet temperature of approximately 36 to 40 Deg F.. To obtain colder temperatures turn the Temperature Control stem clockwise and vice versa. Allow the unit a minimum of one hour to respond to a control setting adjustment. To save energy, the rail cover should be closed when rail access is not required for a period of 10 minutes or more.

Defrost

Your Silver King refrigerator is an automatic defrost unit and no additional plumbing is required. Automatic defrosting is accomplished when frost buildup on the Evaporator Coil is cleared during Compressor off cycles. Defrost water is collected in a pan located in the compressor compartment where it is evaporated into the room air. It is important that the unit be installed level to allow proper drainage of the defrost water.

MAINTENANCE

Preventative maintenance is minimal although these few steps are very important to continued operation and maximizing the life of the appliance.

Cabinet Surfaces

The cabinet interior is aluminum and stainless steel and the exterior is stainless steel. These surfaces should be cleaned periodically with a solution of warm water and mild soap, rinsed and wiped dry with a soft cloth. A good stainless steel cleaner can also be used. Should a surface become stained, do not attempt to clean with an abrasive cleanser or scouring pad. Use a soft cleanser and rub with the grain of the metal to avoid scratching the surface. Do not use chlorinated cleaners. Always rinse well and dry after cleaning.

Condenser

Periodically the Condenser Filter Screen must be cleaned. The Condenser Filter Screen is located on the bottom of the cabinet. To clean it simply pull it out the front of the unit using the Filter Screen Pull and rinse it in a stream of water. Dry the screen by tapping it on a counter or floor. Replace the filter screen by placing it into the filter screen tracks on the bottom of the unit and sliding it all the way to the rear of the cabinet. Do not operate the unit without the filter sreen installed!

Door Gasket

The Door Gasket will collect dirt and should be wiped clean with a warm, mild soapy water solution to extend its life and assure maximum cabinet performance and life.

MODEL _____ SERIAL NO. _____ DATE INSTALLED _____

FILTER GUIDES AND SCREEN INSTALLATION INSTRUCTIONS

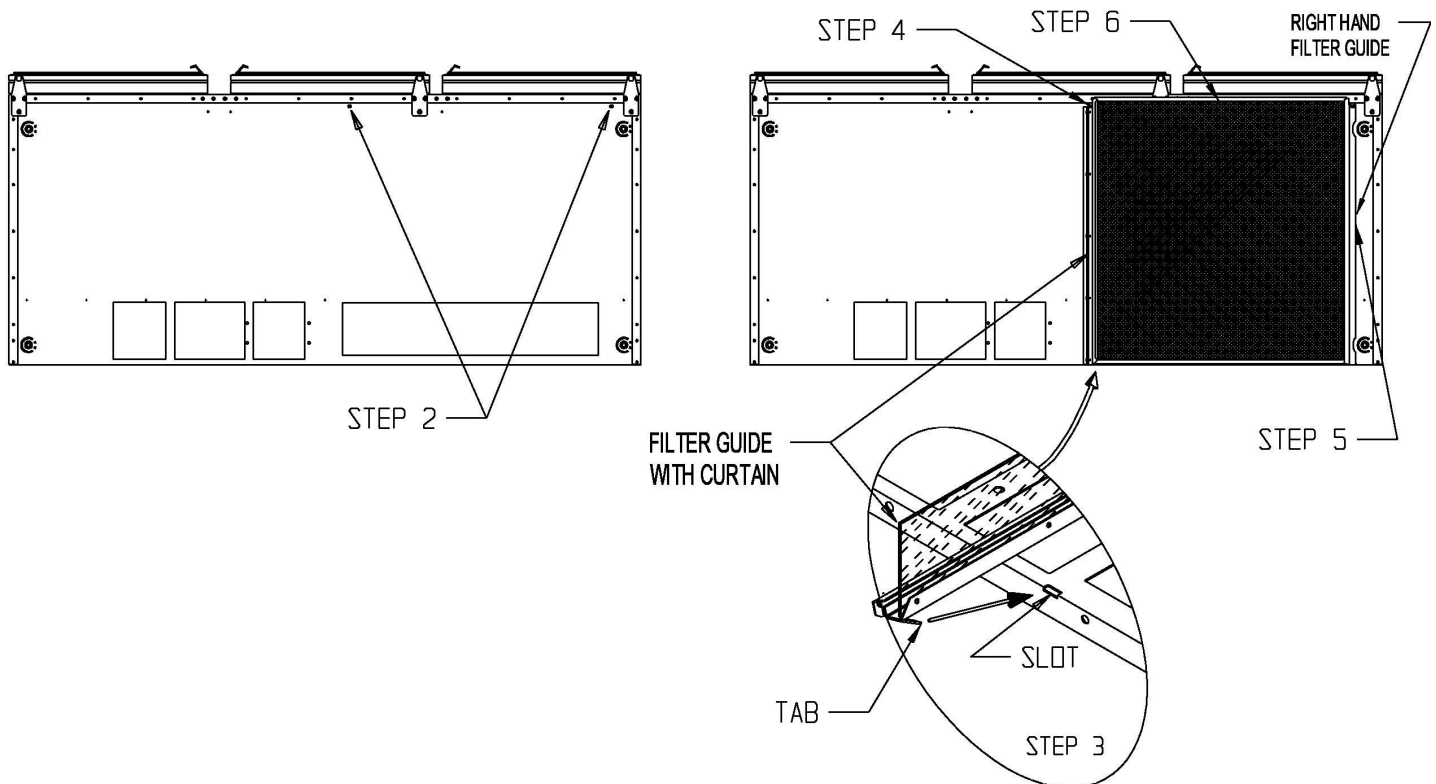
MODELS: SKF48, SKP7218, SKP7230, SKPZ60, SKPZ92, SKR48, SKP488, SKP4812, SKP4818

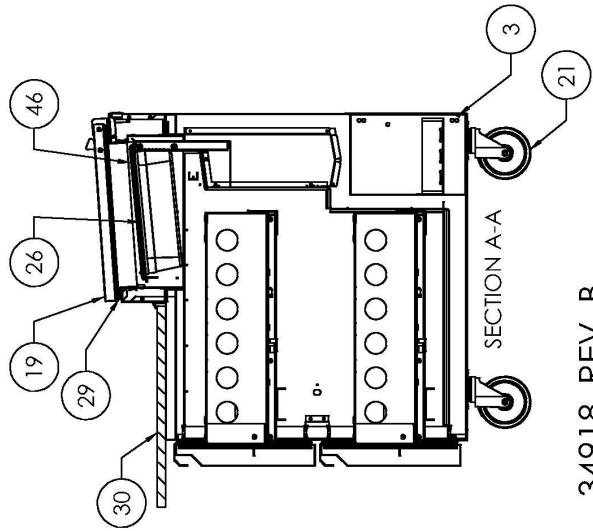
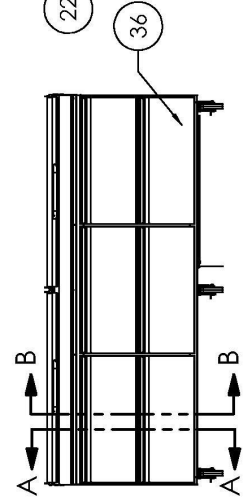
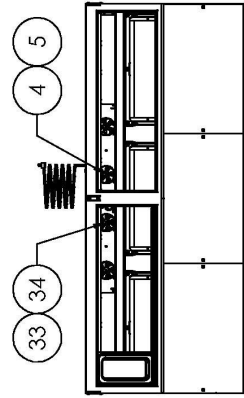
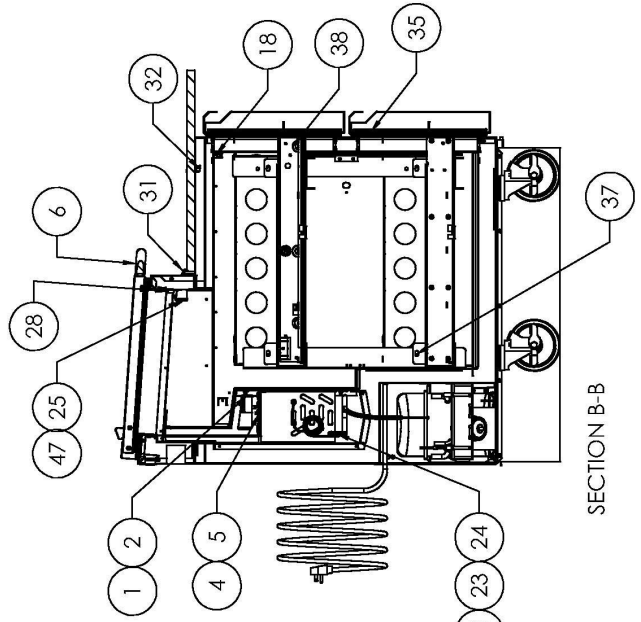
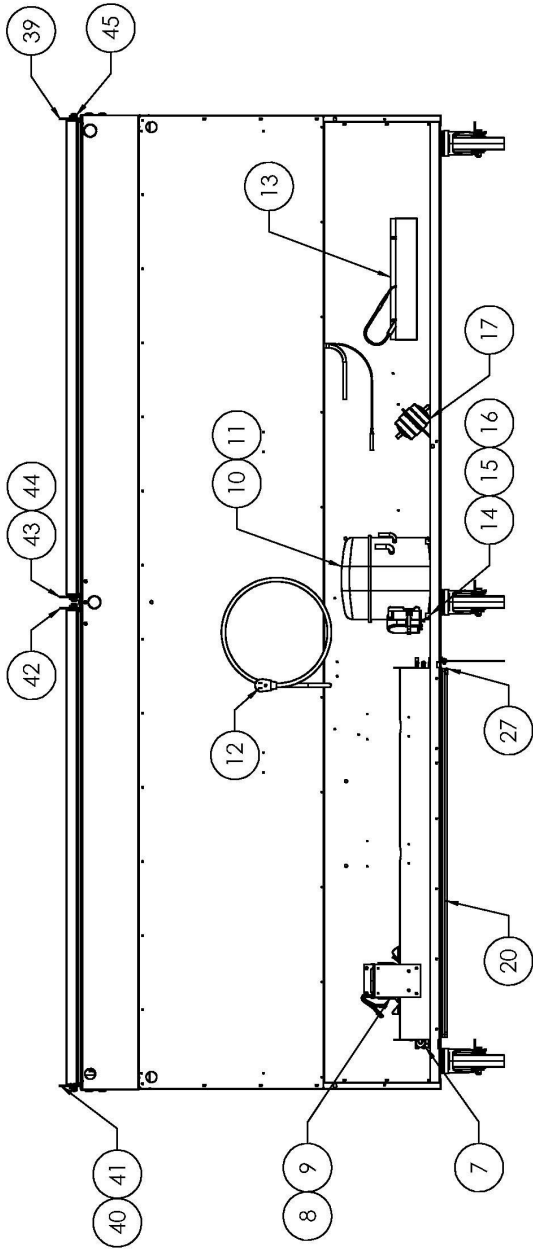
DO NOT OPERATE UNIT WITHOUT FILTER SCREEN AND AIR CURTAIN INSTALLED

1. Disconnect unit from power source.
2. Tip the unit on its back and loosen the 2 screws along the top edge of the base.
3. Insert tab on the end of the filter guide with curtain into the slot located along the lower edge of the base unit.
4. Slip the opposite end of the filter guide with curtain under the screw head loosened in step 2, pull forward, and tighten screw to secure the filter guide to base.
5. Repeat step 4 with right filter guide.
6. Insert filter screen into tracks formed by the guides and slide back until the screen stops.
7. Install legs or casters.
8. Return unit to original upright position.

This kit includes:

- Filter guide with curtain
- Right filter guide
- Filter screen





34918 REV. B

REPLACEMENT PARTS LIST - SKPZ92D1/C5

ITEM NO	DESCRIPTION	PART NUMBER
1	TEMPERATURE CONTROL PLATE	20653
2	TEMPERATURE CONTROL	20889
3	BACK PANEL	26527
4	MOTOR FAN 115V (RIGHT SIDE FANS-CW ROTATION)	21251-2
5	FAN BLADE	99190
6	HANDLE COVER	26930
7	CONDENSER COIL	25826
8	FAN MOTOR 115V	22048
9	FAN BLADE	24194
10	COMPRESSOR 115V (W/ DRIER & ELEC COMPONENTS)	10343-65
11	ELECTRICAL COMPONENTS FOR COMPRESSOR-115V	10344-65
12	POWER CORD 115V	42667
13	CONDENSATE PAN ASSEMBLY 115V	24966
14	GROMMET - COMPRESSOR MOUNT	20481
15	HAIRPIN CLIP	98106
16	WASHER - COMPRESSOR MOUNT	22401
17	DRIER	27494
18	TEMPERATURE INDICATOR	22409
19	RAIL COVER	31504
20	FILTER SCREEN	31228
21	CASTER 5 INCH (SET OF 6)	10314-76
22	EVAPORATOR WITH HEAT EXCHANGER	31234
23	HEAT EXCHANGER	31235
24	EVAPORATOR COIL	25827
25	PAN SUPPORT - FRONT	35102
26	PAN ADAPTER BAR	25569
27	FILTER AND GUIDE KIT	27263-10
29	GASKET - RAIL COVER	26931
30	CUTTING BOARD (1 SECTION, 3 / UNIT)	26962
31	CUTTING BOARD REAR BRACKET	32826
32	THREADED KNOB (RAIL COVER PEG OR CUTTING BD PEG)	24305
33	MOTOR FAN 115V (LEFT SIDE FANS-CCW ROTATION)	25291
34	FAN BLADE	25292
35	DRAWER GASKET	34740
36	DRAWER ASSEMBLY	34919
37	WMENT DRAWER SLIDE INSERT	28821
38	DRAWER SLIDE ROLLER MEMBER RH	28824
	DRAWER SLIDE ROLLER MEMBER LH	28825
39	RAIL COVER BRACKET - LEFT	31210
40	RAIL COVER BRACKET - RIGHT	31211
41	SCREW #10-32	27684
42	RAIL COVER BRACKET - CENTER RIGHT	31482
43	RAIL COVER BRACKET - CENTER LEFT	31483
44	SCREW 1/4"-20	95048
45	THREADED KNOB (REAR PEG OF RAIL COVER)	23503
46	PAN	27066
47	BRACKET MAIN PAN SUPPORT	35428

FORM 34918

WHEN ORDERING REPLACEMENT PARTS, PLEASE PROVIDE MODEL AND SERIAL NUMBERS

SKPZ92 – Clearing out Drain Line

To access the drain line area where your drain line runs through the unit, stand in front of the unit and to your left is the side in which you want to remove the condiment pans and the upper shelf, you will then see only the inside cabinet. The left side panel can come off by removing a total of 12 screws – 11 of those screws will be visible to you on the outer perimeter of the panel(not in the middle area) The 12th screw is under the panel around the middle bottom area. Once this panel is removed, you will be able to see the drain line and hole area that is plugged up with flour, cheese, dough, etc... this area must stay clean of food particles or they will build up and plug the drain area and you will have leaking inside of your cabinet. If you also remove the back lower panel, you will have access to see where the drain line empties into the condensate pan. With these two areas exposed you should be able to see if in fact the leak is due to the drain being clogged with food debris.

Quick Note:

There is also a 5x5 access panel located on the inside left panel. (Visual when condiment pans & shelf is removed from left side.) This panel can be removed by only loosening the two screws & removing – directly behind this access panel is your drain line. This access panel is designed for easy removal & access to the drain line and may be used for regular cleaning/maintenance.

Service Notification:

If a service technician is called out for a leaking issue and they find that they need to clean out the area for food debris, there is NO warranty coverage and you would be billed for any service performed.

If you have any questions or require further assistance, please contact Silver King Refrigeration Inc. at 763-553-1881 and ask for Technical Assistance.

