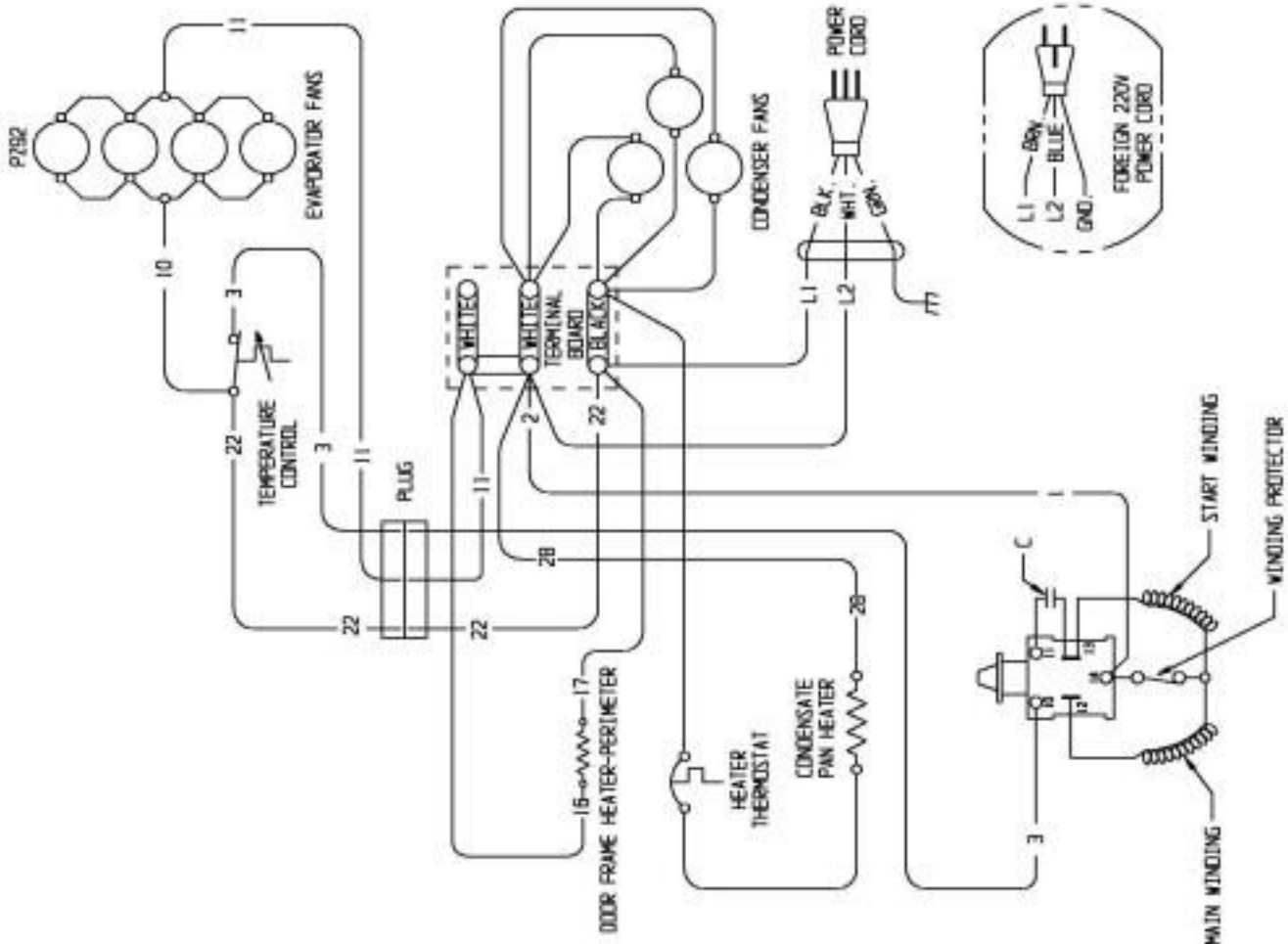
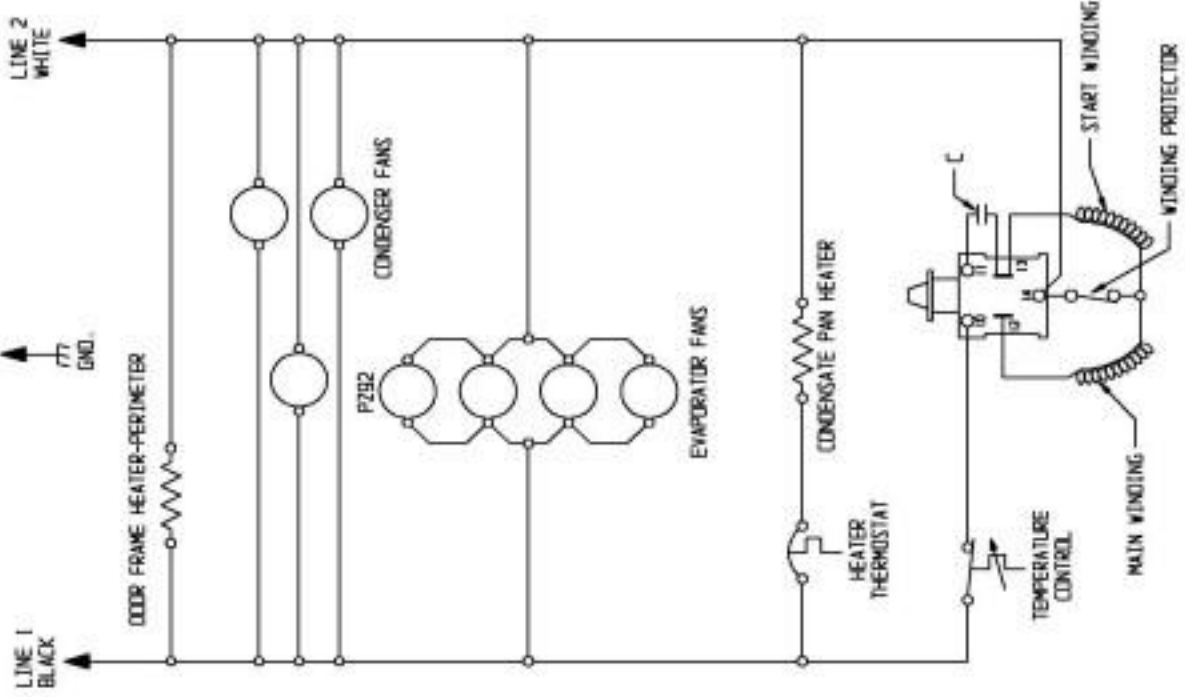


SEE SERIAL PLATE FOR CORRECT POWER SOURCE  
 115 VAC, 60Hz, 1PHASE OR  
 220 VAC, 60/50Hz, 1PHASE



WIRING DIAGRAM  
 MODEL: SGP792