

INSTALLATION INSTRUCTIONS FOR ELECTRONIC SENSOR-ACTIVATED LAVATORY FAUCETS



EAF-275 Series

Solar Powered with Battery Backup Sensor Activated Lavatory Faucets



EAF-250 Series

Battery Powered, Sensor Activated Lavatory Faucets



EAF-225 Series

Adapter Powered, Sensor Activated Lavatory Faucets with Temperature Indicating Illumination

FAUCET VARIATIONS

- ISM Integral Spout Mixer (All Series)
- IC *Click* Feature (All Series)
- DPU Drain Pop Up (EAF-200/225/250 Series)
- P Plug-in Transformer/Adapter (EAF-200 Series)
- LT Less Transformer/Adapter (EAF-200 Series)

(Models shown with ISM Integral Spout Mixer)

EAF-200 Series

Adapter Powered, Sensor Activated Lavatory Faucets

LIMITED WARRANTY

Unless otherwise noted, Sloan Valve Company warrants this product, manufactured and sold for commercial or industrial uses, to be free from defects in material and workmanship for a period of three (3) years (one (1) year for special finishes, SF faucets, PWT electronics and 30 days for PWT software) from date of first purchase. During this period, Sloan Valve Company will, at its option, repair, replace, or refund the purchase price of any product which fails to conform with this warranty under normal use and service. This shall be the sole and exclusive remedy under this warranty. Products must be returned to Sloan Valve Company, at customer's cost. No claims will be allowed for labor, transportation or other costs. This warranty extends only to persons or organizations who purchase Sloan Valve Company's products directly from Sloan Valve Company for purpose of resale. This warranty does not cover the life of the batteries.

THERE ARE NO WARRANTIES WHICH EXTEND BEYOND THE DESCRIPTION ON THE FACE HEREOF. IN NO EVENT IS SLOAN VALVE COMPANY RESPONSIBLE FOR ANY CONSEQUENTIAL DAMAGES OF ANY MEASURE WHATSOEVER.

PRIOR TO INSTALLATION

Prior to installing the Sloan Optima EAF-275/EAF-250/EAF-200/EAF-225 Series Faucets, install the items listed below. Also, refer to rough-in illustrations.

- Lavatory/sink
- Drain line
- Hot and cold water supply lines or pre-tempered water supply line

Important:

- **ALL PLUMBING SHOULD BE INSTALLED IN ACCORDANCE WITH APPLICABLE CODES AND REGULATIONS.**

- **FLUSH ALL WATER LINES PRIOR TO MAKING CONNECTIONS.**
- **KEEP THREAD SEALANT OUT OF YOUR WATERWAY TO PREVENT COMPONENT PART DAMAGE! DO NOT USE ANY SEALANT ON COMPRESSION FITTINGS.**

Trim Plates

When the EAF Faucet is installed on a sink that has three (3) hole punchings, a Trim Plate should be used. **Trim Plates must be specified and ordered separately.**

ETF-312-A Trim Plate for 4" (102 mm) Centerset Sink

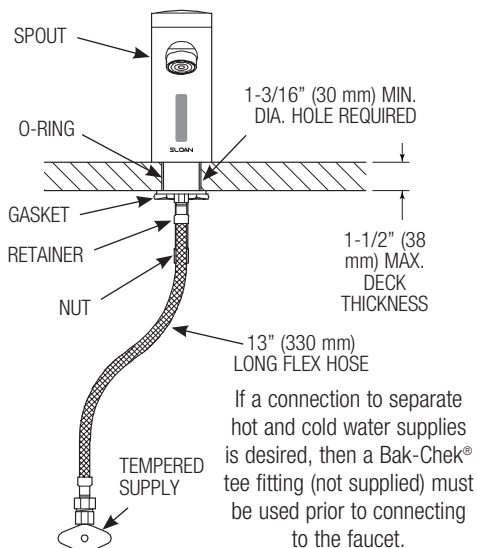
ETF-510-A Trim Plate for 8" (203 mm) Centerset Sink

TOOLS REQUIRED FOR INSTALLATION

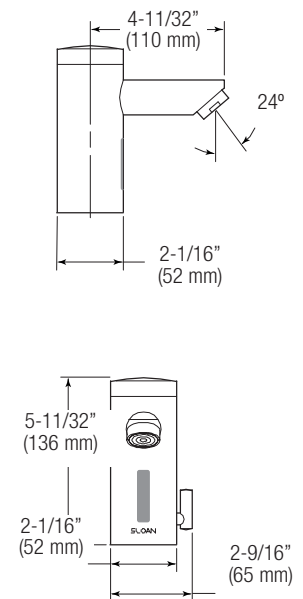
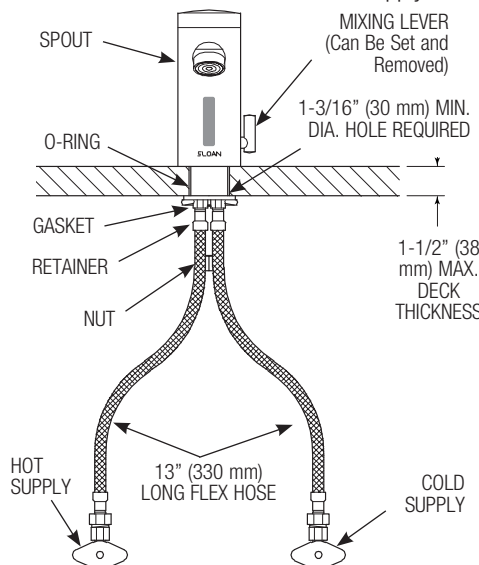
- 13 mm open end wrench or nut driver for faucet retainer nut
- 3/4" open end wrench for female end of flex hose

FAUCET ROUGH-IN

MODELS EAF-200/250/275
0.5 gpm (1.9 Lpm) Max. Flow
Faucets with Single Line Water Supply



MODELS EAF-200/225*/250/275
0.5 gpm (1.9 Lpm) Max. Flow
Faucets with Hot and Cold Water Supply



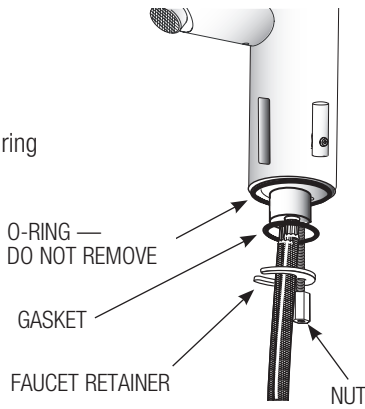
*EAF-225 Series Faucets are furnished with a 1.5 gpm (5.6 Lpm) spray head

1 - INSTALL FAUCET

- A** Remove Nut, Faucet Retainer and Gasket.

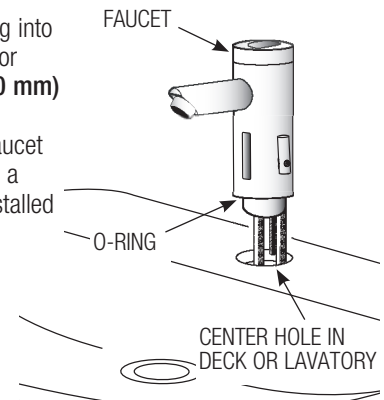
DO NOT remove the O-ring from base of Faucet.

DO NOT remove Sensor label until Step 4.

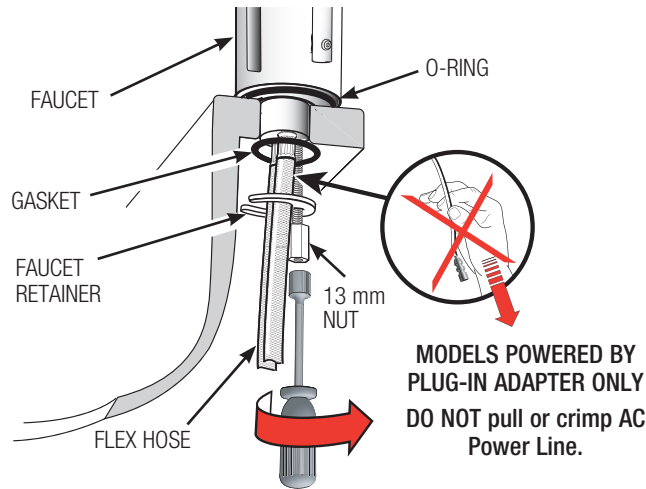


- B** Install Faucet with O-ring into the center hole in deck or lavatory — **1-3/16" (30 mm) min. hole required.**

Note: If installing the Faucet on a three (3) hole sink, a Trim Plate should be installed at this time.



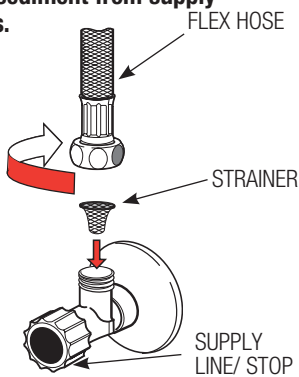
2 - SLIDE GASKET OVER FLEX HOSE(S) AND SECURE



3 - INSTALL STRAINER AND FLEX HOSE ONTO SUPPLY STOP. OPEN SUPPLY STOPS

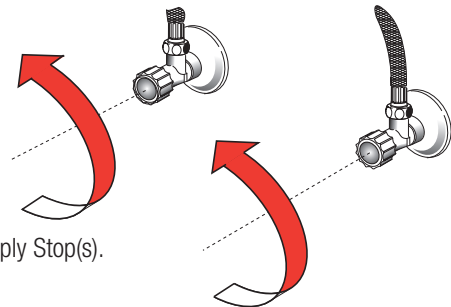
IMPORTANT: Flush dirt, debris, and sediment from supply line(s) before Connecting Flex Hoses.

- A** Install Strainer and Flex Hose onto Supply Stop.



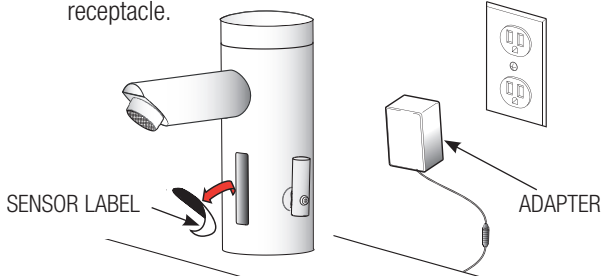
- B** Tighten the Flex Hose (with Strainer in place) securely to the Supply.

- C** Open Supply Stop(s).



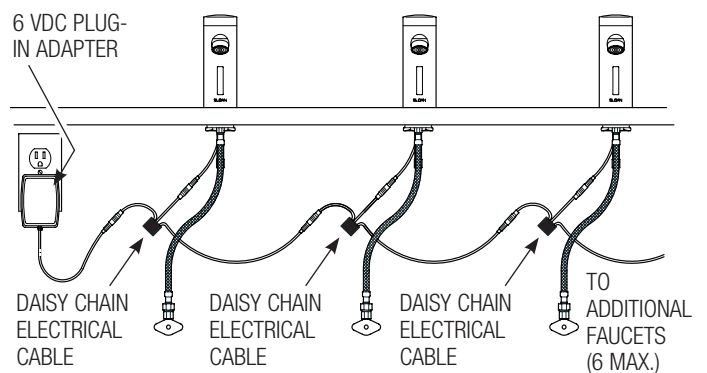
4 - EAF-200 MODELS: PLUG ADAPTER INTO RECEPTACLE. ALL MODELS - REMOVE LABEL FROM SENSOR.

- A** For EAF-200 Models, Plug Adapter into receptacle.



- B** Remove Label from Sensor Window.

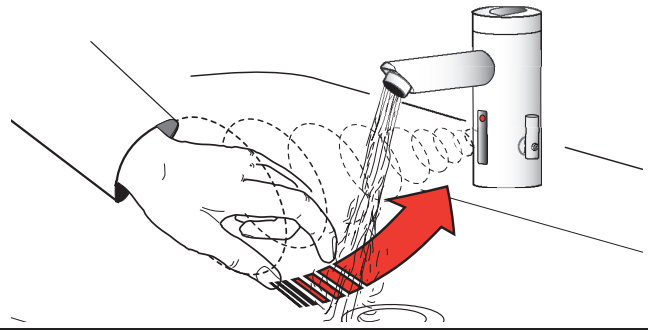
Electrical Connection for up to Six (6) Faucets Using One (1) Adapter



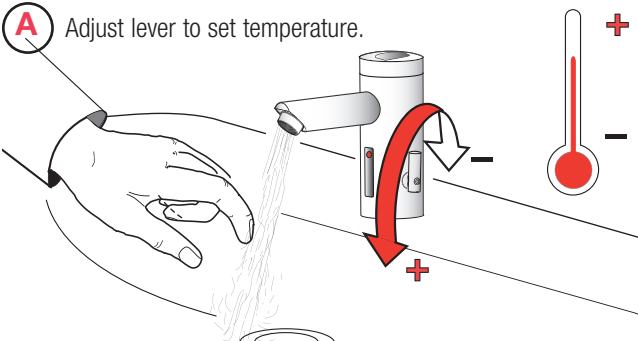
NOTE: EAF-225 can only connect one (1) faucet per one (1) adapter.

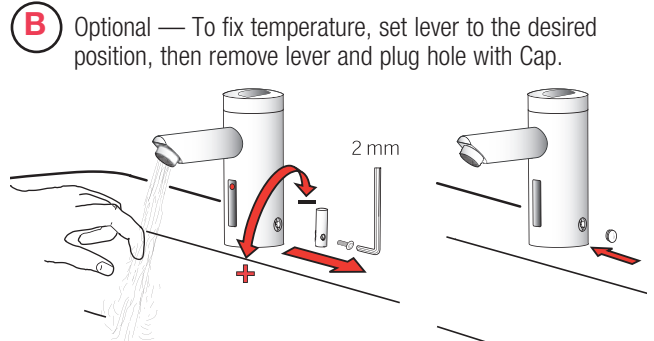
5 - ACTIVATE FAUCET

- A** Activate Faucet by pressing the button one (1) time, then immediately step away. Faucet will run for four (4) seconds and the range will automatically adjust to its environment. Wait ten (10) seconds after water shuts off before using Faucet.
- B** Activate Faucet and check for leaks. If Faucet does not function, refer to the Troubleshooting section of this instruction manual.



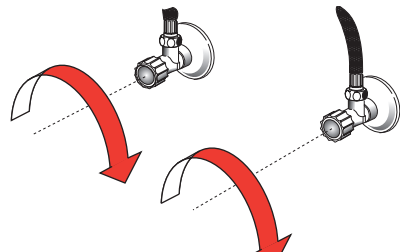
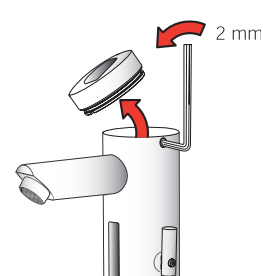
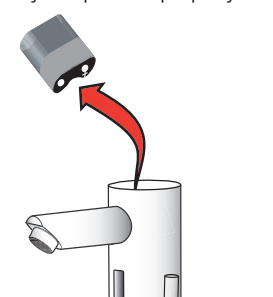
6 - SET AND FIX TEMPERATURE (MODEL EAF-225, SEE PAGE 4)

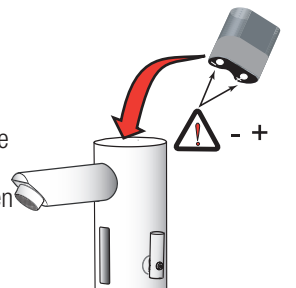
- A** Adjust lever to set temperature. 

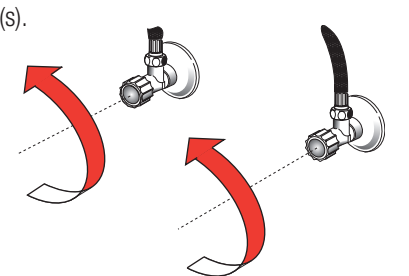
- B** Optional — To fix temperature, set lever to the desired position, then remove lever and plug hole with Cap. 

7 - BATTERY REPLACEMENT (EAF-250/275)

NOTE: Replace Battery when red LED indicator flashes each time faucet is in use or when faucet stops functioning.

- A** Close Supply Stop(s). 
- B** Loosen Screw with hex wrench and remove Cap. 
- C** Move Battery Retainer tab away from Battery. Remove old Battery. Dispose of properly. 

- D** Insert a new 6 Volt Type CR-P2 Lithium Battery. The red LED will flash for one (1) minute. Reinstall Battery Cover. If LED doesn't flash or if it just lights up, remove and then reinsert the Battery. If water flows continuously after inserting the new Battery and opening the Supply Stops, remove and then reinsert the Battery. 

- E** Open Supply Stop(s). 

SETTINGS

i.q.-CLICK SETTINGS

Function	Press Button	LED Signal
Continuous Run — 2 minute default setting (adjustable from 1 - 20 minutes)	1 time for 2 seconds	5 short flashes
reset:	1 time or will reset automatically after 2 minutes	
Temporary Off	2 times (double click)	5 short flashes followed by periodic flashing
reset:	1 time or will reset automatically after 2 minutes	
Auto Set Range Adjustment	2 times (double click) and then 1 time for 5 seconds	5 short flashes followed by 4 short flashes

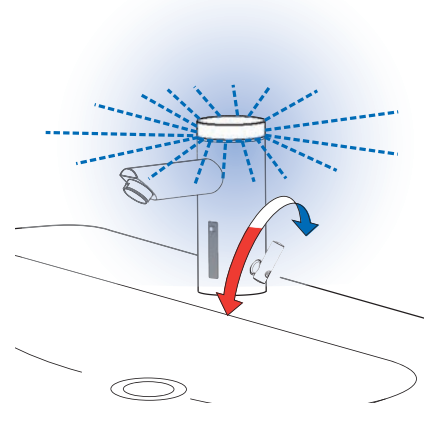
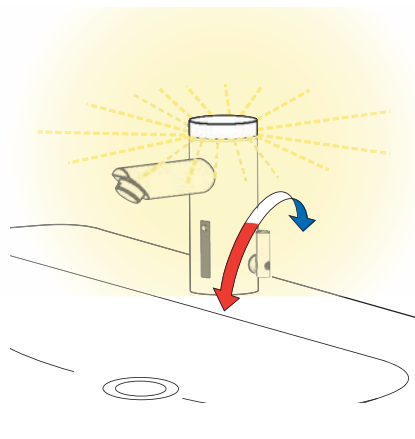
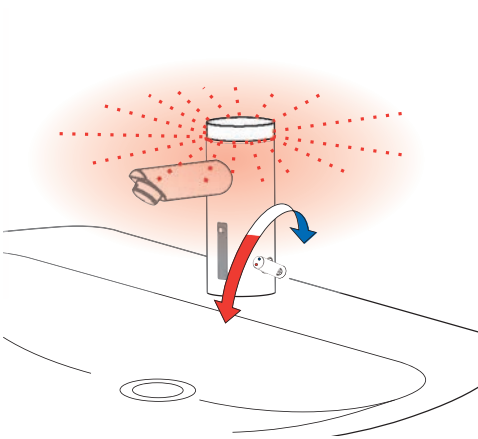
MODEL EAF-225 ONLY

Functions

RED
HOT End Position

WHITE
Tempered Position

BLUE
Cold End Position

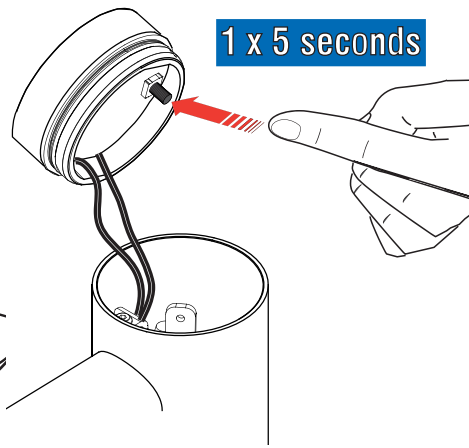


Setting Brightness of Illumination

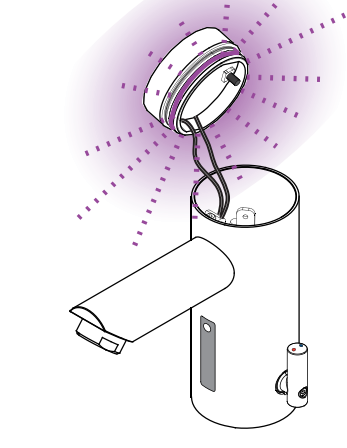
A Remove cover.



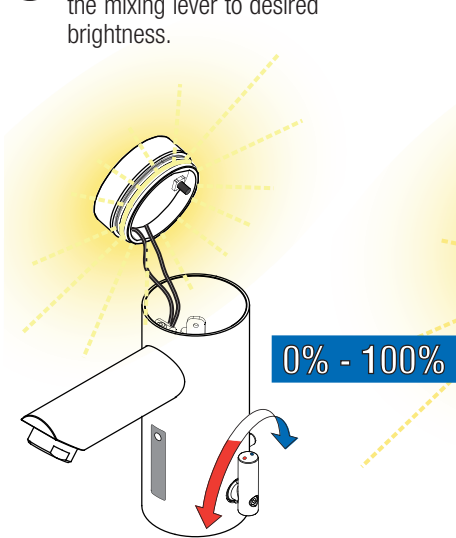
B Press button for approximately 5 seconds.



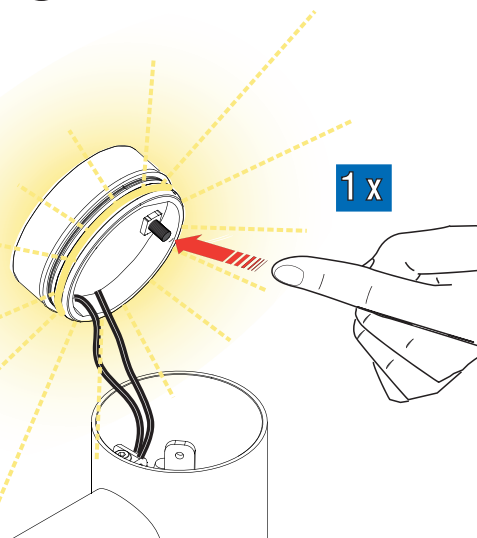
C When illuminant glows **PURPLE**, release.



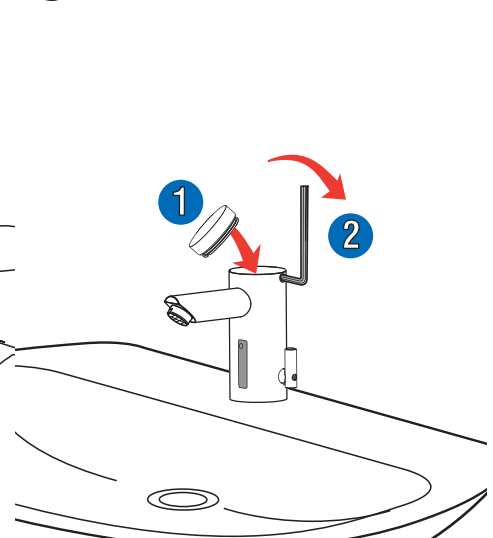
D Adjust the illumination by turning the mixing lever to desired brightness.



E Press button once.

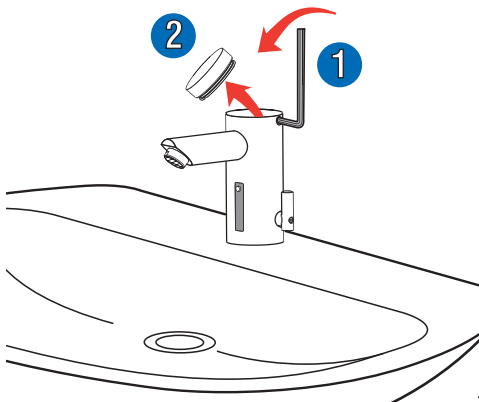


F Replace top cover.

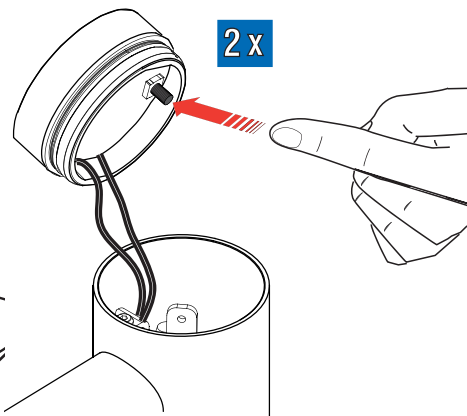


Calibrating the illuminant colors (RED - WHITE - BLUE) to water temperature

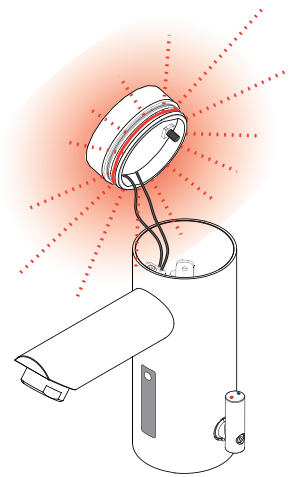
A Remove cover.



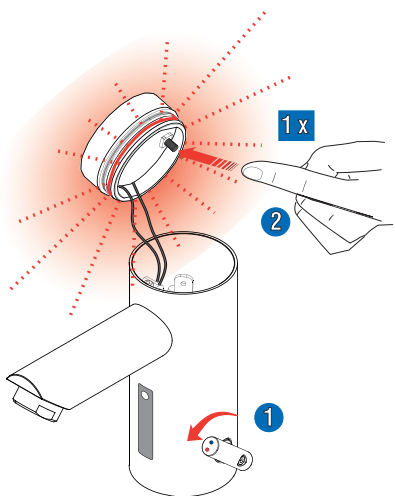
B Press button twice and release.



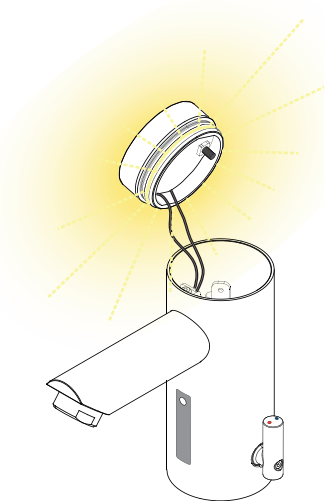
C Illuminant flashes red.



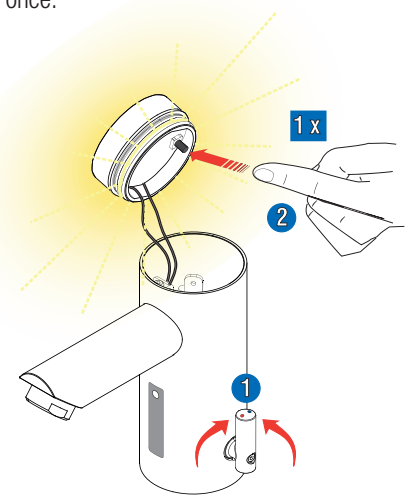
D Adjust mixing lever for position **RED** (hot) and press button once.



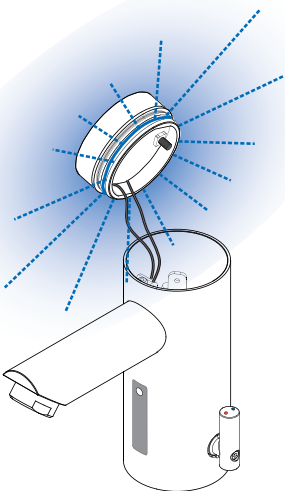
E Illuminant flashes **WHITE**.



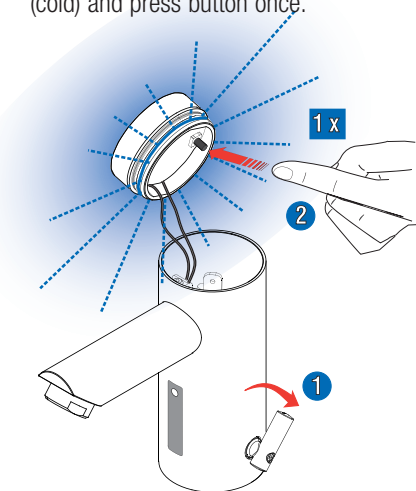
F Adjust mixing lever for position **WHITE** (temperate) and press button once.



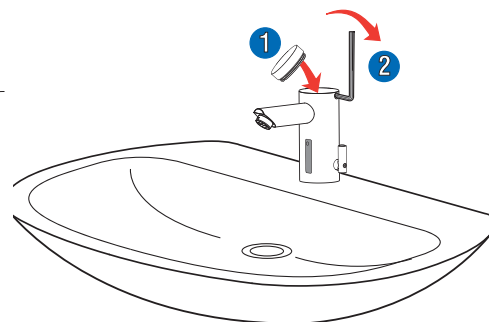
G Illuminant flashes **BLUE**.



H Adjust mixing lever for position **BLUE** (cold) and press button once.



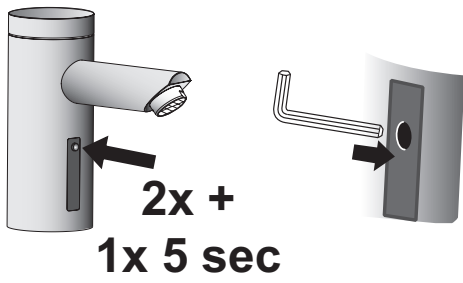
I Replace cover.



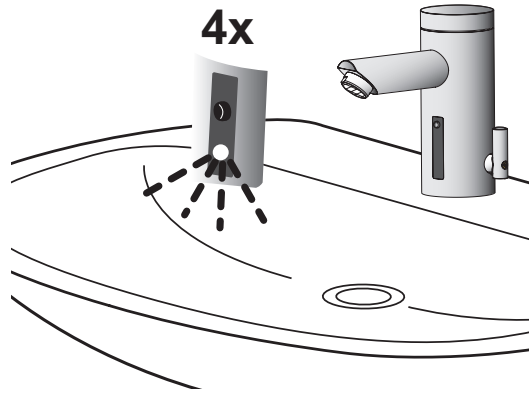
SENSOR RANGE ADJUSTMENT

FACTORY SETTING IS APPROPRIATE FOR THE MAJORITY OF APPLICATIONS AND SHOULD NOT REQUIRE RESETTING UNLESS UNDER EXTREME SITUATIONS.

A

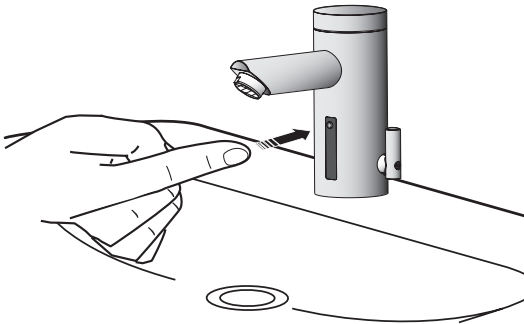


B

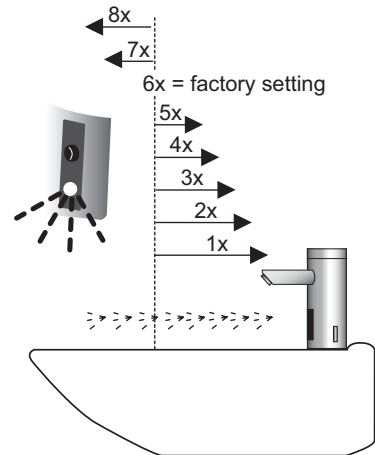


C

1 x (1x, 2x,...,8x)



D



DISCLAIMER: Updated electronics have visible red and green LED. Original electronics have only red LED and range setting is reversed (1=longest, 8=shortest)

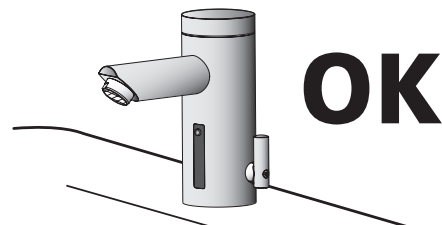
E



F



G

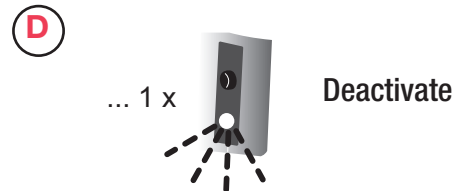
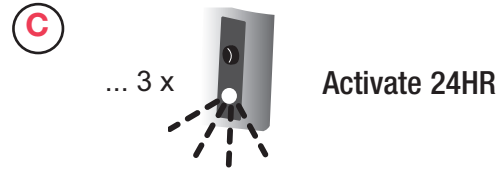
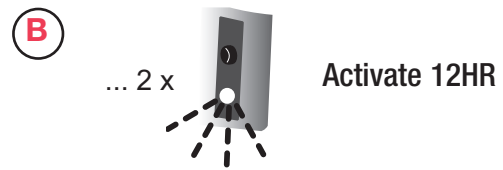
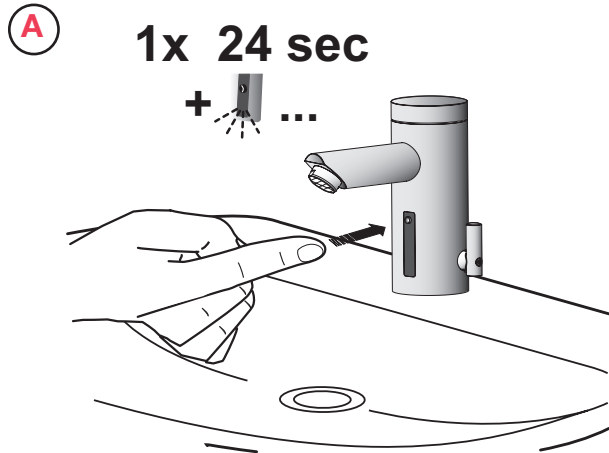


12/24 LINE PURGE FEATURE

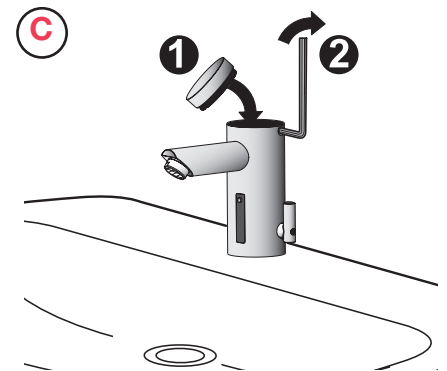
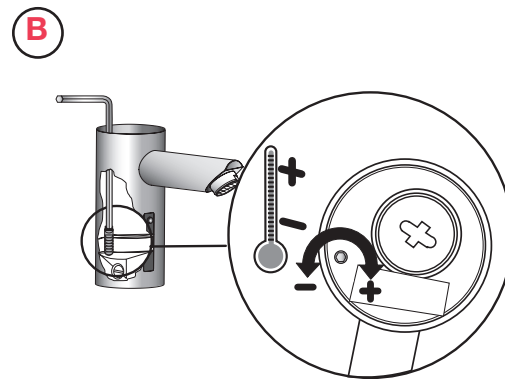
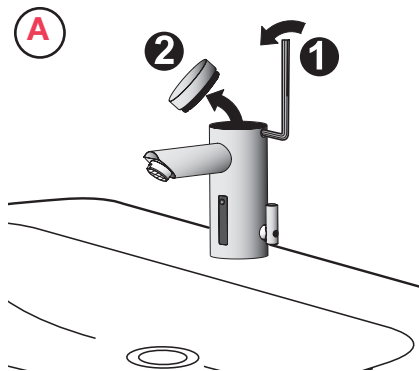
This feature will operate the faucet every 12 or 24 hours since last use, if not used to prevent stagnant water conditions.

Default purge duration is two minutes.

Consult factory regarding other timing options.

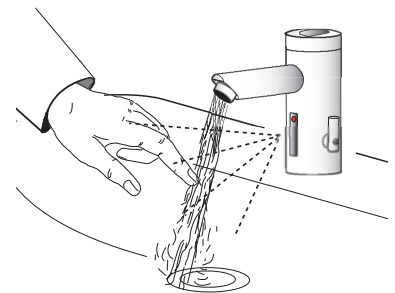


HOT LIMIT STOP ADJUSTMENT



OPERATION

As the user's hands enter the beam's effective range, the beam is reflected back into the sensor receiver and activates the solenoid valve allowing water to flow from the faucet. Water will flow until the hands are removed or until the faucet reaches its automatic time out limit setting.



CARE AND CLEANING

DO NOT USE abrasive or chemical cleaners (including chlorine bleach) to clean Faucets that may dull the luster and attack the chrome or special decorative finishes. Use **ONLY** mild soap and water, then wipe dry with clean cloth or towel.

While cleaning the bathroom tile, protect the Faucet from any splattering of cleaner. Acids and cleaning fluids will discolor or remove chrome plating.



TROUBLESHOOTING GUIDE

1. Problem: Faucet does not function.

- Cause: Adhesive packaging label affixed over sensor eye.
 Solution: Remove adhesive label from sensor eye.
 Cause: "Permanent Off" activated.
 Solution: Press button on faucet throat one time.

2. Problem: Faucet delivers water in an uncontrolled manner.

- Cause: Faucet is defective.
 Solution: Contact the Sloan Technical Support (see below).

3. Problem: Faucet does not deliver any water when Sensor is activated.

Indicator: Solenoid valve produces an audible "CLICK."

- Cause: Water supply stop(s) closed.
 Solution: Open water supply stop(s).
 Cause: Water supply stop strainer(s) clogged.
 Solution: Remove, clean, and reinstall water supply stop strainer(s).
 Replace strainer(s) if required.

Indicator: Solenoid valve DOES NOT produce an audible "CLICK."

- Cause: Battery low (battery-powered models).
 Solution: Replace battery (refer to Battery Replacement on Page 3).
 Cause: Power failure (EAF-200 Models).
 Solution: Check power supply.

4. Problem: Faucet delivers only a slow flow or dribble when Sensor is activated.

- Cause: Water supply stop(s) are partially closed.
 Solution: Completely open water supply stop(s).
 Cause: Water supply stop strainer(s) clogged.
 Solution: Remove, clean, and reinstall water supply stop strainer(s).
 Replace strainer(s) if required.

4. Problem: Faucet delivers only a slow flow or dribble when Sensor is activated.

- Cause: Aerator is clogged.
 Solution: Remove, clean, and reinstall aerator. Replace aerator if required.
 Cause: Faucet is defective.
 Solution: Contact the Sloan Technical Support (see below).

5. Problem: Faucet does not stop delivering water or continues to drip after user is no longer detected.

- Cause: Valve is defective.
 Solution: Contact the Sloan Technical Support (see below).

6. Problem: LED indicator blinks when faucet is in use.

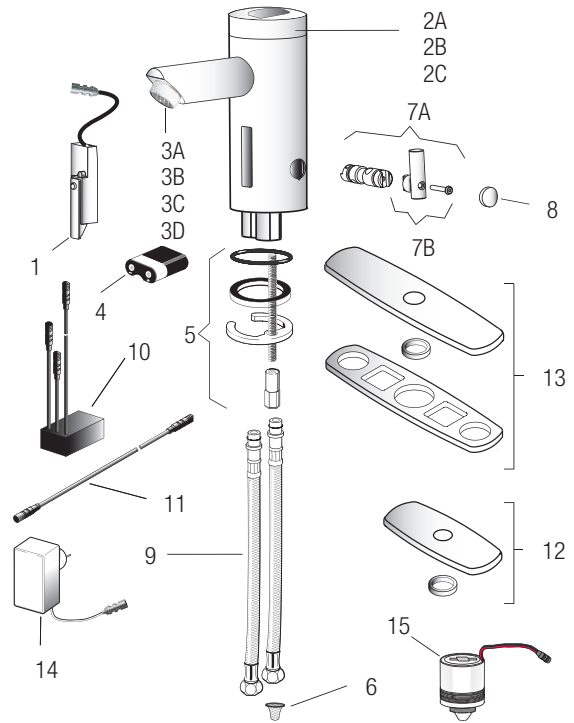
- Cause: Battery low (battery-powered models).
 Solution: Replace battery (refer to Battery Replacement on Page 3).

7. Problem: The water temperature is too hot or too cold on a faucet connected to hot and cold supply lines.

- Cause: Supply Stops are not adjusted properly.
 Solution: Adjust Supply Stops.
 Cause: For models with integral mixing valve — Mixing valve is set improperly for the water temperature desired.
 Solution: Rotate mixing valve handle clockwise to decrease water temperature or counterclockwise to increase water temperature.

When assistance is required, please contact Sloan Technical Support at:
1-888-SLOAN-14 (1-888-756-2614)

PARTS LIST



Item #	Part #	Description
1	EAF-14-A	Faucet Sensor Assembly (EAF-275 only)
	EAF-19-A	Faucet Sensor Assembly (EAF-200 and EAF-225 only)
	EAF-21-A	Faucet Sensor Assembly (EAF-250 only)
	EAF-16-A	Faucet Sensor Assembly with i.q.-Click (EAF-275 only)
	EAF-18-A	Faucet Sensor Assembly with i.q.-Click (EAF-200 and EAF-225 only)
	EAF-20-A	Faucet Sensor Assembly with i.q.-Click (EAF-250 only)
2A	EAF-1006	Cap with Solar Cell Assembly (EAF-275 only)
2B	EAF-27	Cap (EAF-250 and EAF-200 only)
2C	—	Cap (EAF-225)
3A	EAF-12	0.5 gpm (1.9 Lpm) VR Pressure Compensating Spray Head
3B	EAF-22	1.5 gpm (5.6 Lpm) Pressure Compensating Aerated Stream
3C	EAF-10	2.2 gpm (8.3 Lpm) Aerator Spray Head
3D	EAF-13	2.2 gpm (8.3 Lpm) Laminar Flow Spray Head
4	EAF-1003	Battery Replacement Kit
5	EAF-1	Faucet Mounting Kit
6	EAF-9	Strainer (Filter)
7A	EAF-1004	Mixer Handle Assembly and Cartridge
7B	EAF-1005	Handle Repair Kit
8	EAF-1007	Handle Cap
9	EAF-1008	13" (330 mm) Flexible Supply Hose
10	EAF-44	Power Splitter†
11	EAF-24-A	11-13/16" (300 mm) Extension Cable
	EAF-25-A	47-1/4" (1200 mm) Extension Cable
	EAF-17-A	126" (3200 mm) Extension Cable
12	ETF-312-A	Trim Plate for 4" Centerset Sink
13	ETF-510-A	Trim Plate for 8" Centerset Sink
14	EAF-11	Plug-in Adapter (Models EAF-200/225)
15	EAF-2	Solenoid

† EAF-44 replaces the separate EAF-23-A Splitter Cable and EAF-28 Capacitor, which is sold separately.

The information contained in this document is subject to change without notice.

SLOAN • 10500 SEYMOUR AVENUE • FRANKLIN PARK, IL 60131
 Phone: 1-800-982-5839 or 1-847-671-4300 • Fax: 1-800-447-8329 or 1-847-671-4380 • www.sloan.com