

STERO ST SERIES FLIGHT-TYPE DISHWASHER



STPCW-ER

STPC
STPCW
SPTCW-ER
STBUW



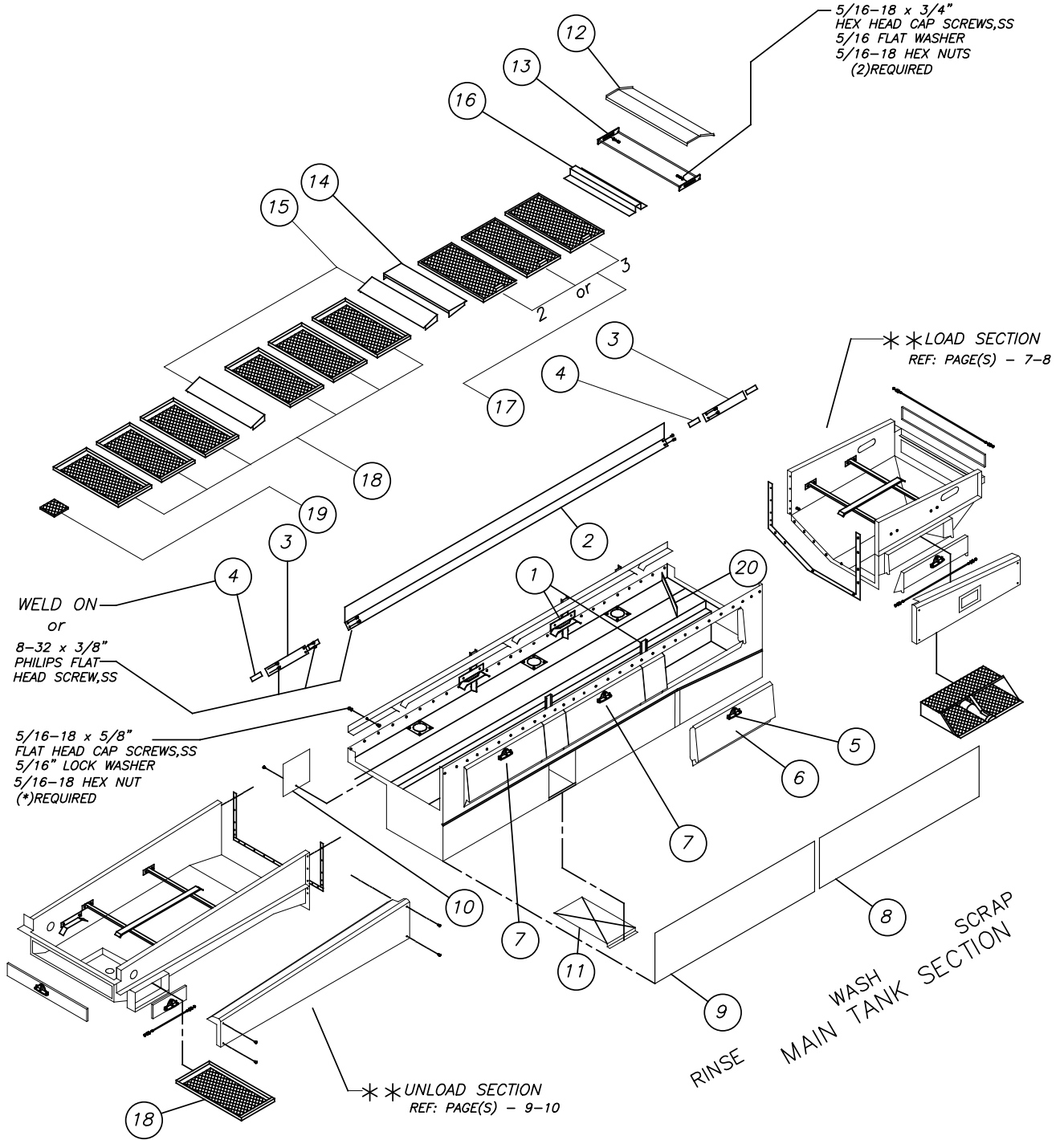
STERO, a division of Illinois Tool Works, Inc. 165 Independence Court Lancaster, PA 17601
Phone: 800-762-7600 Fax: 707-762-5036 Website: Stero.com

TABLE OF CONTENTS

DESCRIPTION	PAGE #
TANK ASSEMBLY - REAR PUMP	3 - 4
TANK ASSEMBLY - SIDE PUMP	5 - 6
LOAD ASSEMBLY	7 - 8
UNLOAD ASSEMBLY	9 - 10
HOOD ASSEMBLY - CABINET DOOR	11 - 12
HOOD ASSEMBLY - REGULAR DOOR	13 - 14
CURTAINS & RODS	15 - 16
SAFETY SWITCH ASSEMBLY	17 - 18
REAR PUMP ASSEMBLY #370	19 - 20
FRONT PUMP ASSEMBLY #368	21 - 22
MOTOR ASSEMBLY	23 - 24
BELT DRIVE ASSEMBLY	25 - 26
BELT CONVEYOR ASSEMBLY - PLASTIC PEG	27 - 28
BELT CONVEYOR ASSEMBLY - STAINLESS STEEL PEG	29 - 30
32" AND 36" SCRAPPER SPRAY ASSEMBLY	31 - 32
44" SCRAPPER, 44" OR 54" WASH/RINSE SPRAY ASSEMBLY	33 - 34
FINAL RINSE SPRAY ASSEMBLY - HI TEMP (3 TANK ER 58 GPH)	35 - 36
FINAL RINSE SPRAY ASSEMBLY - HI TEMP (3 OR 4 TANK ER 102 GPH)	37 - 38
FINAL RINSE SPRAY ASSEMBLY - HI TEMP (NON ER MACHINES)	39 - 40
RINSE RAKE ASSEMBLY	41 - 42
STEAM COIL ASSEMBLY REAR PUMP ACCESS	43 - 44
STEAM COIL ASSEMBLY FRONT PUMP ACCESS	45 - 46
STEAM COIL ASSEMBLY - 54" TANK FRONT PUMP ACCESS	47 - 48
HEAT ENCLOSURE & ELEMENTS	49 - 50
PARKER FLOATS	51 - 52
PARKER FLOAT ASSEMBLY	53 - 54
STERO FLOAT ASSEMBLY - C10-1005	55 - 56
HI-LIMIT CUT-OFF SWITCH	57 - 58
THERMOSTATS	59 - 60
BLOWER UNIT ASSEMBLY	61 - 62
BLOWER UNIT PANEL ASSEMBLY	63 - 64
NEW STERO BLOWER (CURRENT PRODUCTION)	65 - 66
SWB-320 & SWB-380 BOOSTER ASSEMBLY	67 - 68
SWB-150 BOOSTER	69 - 70
TYPICAL HATCO ELECTRIC BOOSTER ASSEMBLY	71 - 72
FINAL RINSE PIPING ASSEMBLY [KIT 55]	73 - 74
COMMON PLUMBING PARTS	75 - 76
DRAIN ASSEMBLY	77 - 78
TWIN TEMP GAUGE ASSEMBLY	79 - 80
CONTROL BOX DOOR	81 - 82
CONTROL BOX COMPONENTS	83 - 84
D.C. DRIVE CONTROL	85 - 86
REMOTE START/STOP SWITCH ASSEMBLY	87 - 88
HEAT RECOVERY SYSTEM	89 - 90

TANK ASSEMBLY – REAR PUMP STPCW / STPC

RL – SHOWN



TANK ASSEMBLY - REAR PUMP - STPCW / STPC

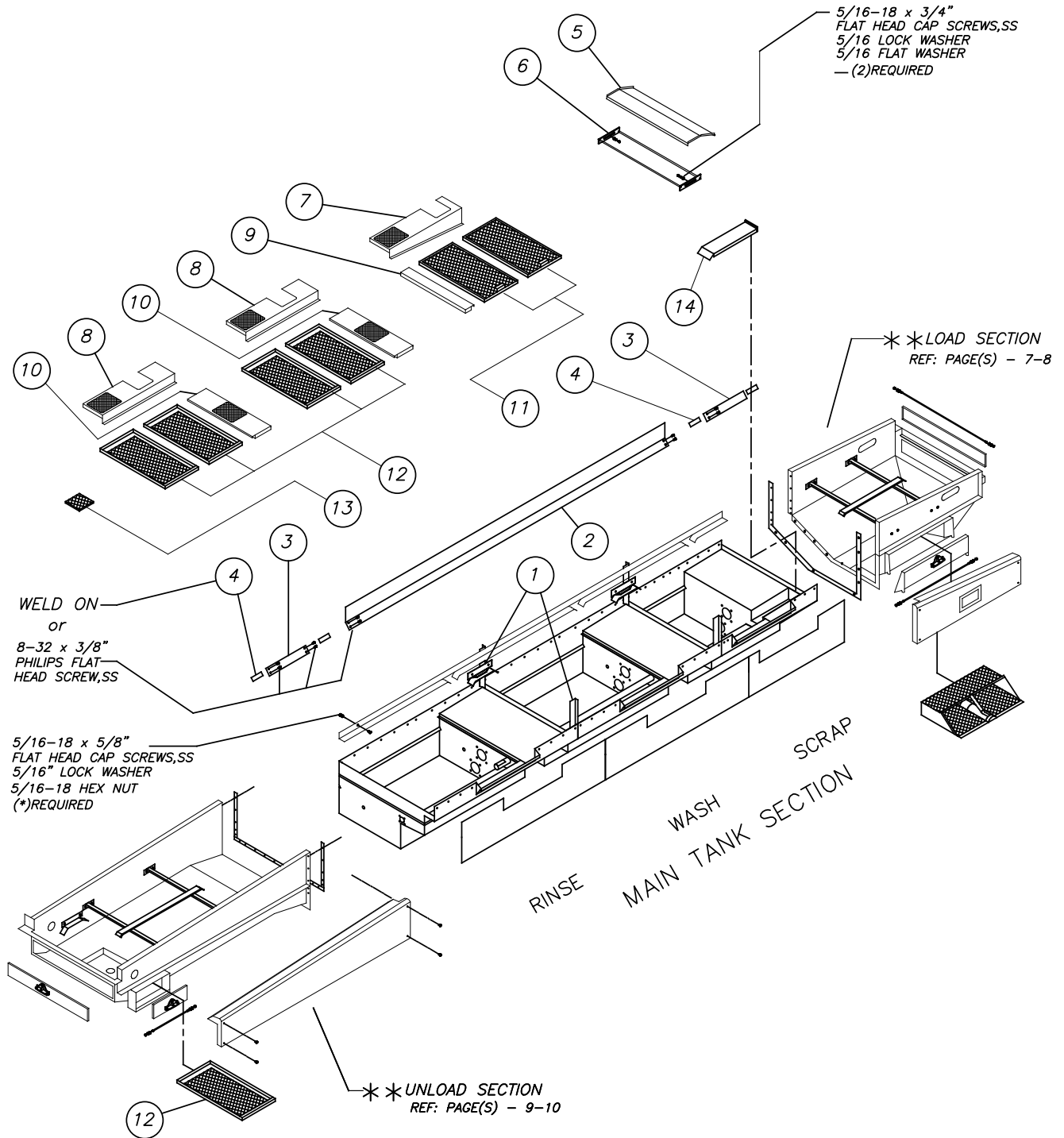
ITEM	DESCRIPTION	REMARKS	PART#
1	ASS'BLY, TRACK SUPP UPRIGHT- FT or BK	STPCW/STPC STD DOOR	01-555053
	ASS'BLY, TRACK SUPP UPRIGHT- FT or BK	STPCW/STPC CAB DOOR	01-555054
2	GUARD, MAIN TANK BELT ROLLER (see note)	*	*
NOTE: #2 HAS MULTIPLE VARIATIONS. NEED MODEL, SERIAL NUMBER AND POSITION ON THE MACHINE. (MODIFICATION NEEDED PER MACHINE IN THE FIELD)			
3	EXTENSION, MAIN BELT ROLLER GUARD	ALL	0A-103936
4	SPLICER, MAIN BELT ROLLER GUARD EXT.	WELD-ON	0A-103933
5	DOOR HANDLE w/HARDWARE	ALL	00-913102-00566
6	DOOR, MAIN TANK ACCESS SCRAPPER	*	0A-102984
7	DOOR, MAIN TANK ACCESS [29"]	*	0A-102984
8	PANEL, RP, FRONT, RT	*	*
9	PANEL, RP, FRONT, LF	*	*
10	PLATE, ELEMENT COVER - REAR	*	*
11	PLATE, ELEMENT COVER - BOTTOM	*	*
12	DIVERTER, WATER	STPCW	0B-103019
	DIVERTER, WATER	STPC	0B-103017
13	ASSEMBLY, WATER DIVERTER BRACKET	STPCW	0B-103020
	ASSEMBLY, WATER DIVERTER BRACKET	STPC	0B-103018
14	SPACER, STRAINER PAN, SCR [8 3/8"]	STPCW	0A-104914
	SPACER, STRAINER PAN SCR [8 1/2"]	STPC	0B-104812
15	SPACER, STRAINER PAN W/R [6 1/2"]	STPCW	0A-104918
	SPACER, STRAINER PAN W/R [6 5/8"]	STPC	0B-104813
16	SPACER, STRAINER PAN W/R	* PRE-2005	*
17	STRAINER PAN, SCRAPPER	STPCW [12-1/2 x 24-1/2]	0A-103108
	STRAINER PAN, SCRAPPER	STPC [12 1/4 x 16 1/2]	0B-103178
18	STRAINER PAN, WASH-RINSE-UNLOAD	STPCW [12-1/2 x 24-1/2]	0A-101530
	STRAINER PAN, WASH-RINSE-UNLOAD	STPC [12 3/8 x 16 5/16]	0A-101593
19	DRAIN SCREEN	ALL	0A-102616
20	DIVERTER, WATER STPCW SCRAPPER		0A-104922

** LOAD & UNLOAD SECTIONS - REF: PAGE(S) - 7 thru 10

* TO ORDER, SUPPLY MACHINE MODEL AND SERIAL NUMBER

TANK ASSEMBLY – SIDE PUMP – STPCW / STBUW / STPC

RL – SHOWN



TANK ASSEMBLY - SIDE PUMP - STPCW / STBUW /STPC

ITEM	DESCRIPTION	REMARKS	PART#
1	TRACK, SUPPORT UPRIGHT-LEFT STD DOOR	STPCW/STPC	01-555047
	TRACK, SUPPORT UPRIGHT-RIGHT STD DOOR	STPCW/STPC	01-555048
	TRACK, SUPPORT UPRIGHT - LEFT - CAB DOORS	STPCW/STPC	01-555051
	TRACK, SUPPORT UPRIGHT - RIGHT - CAB DOORS	STPCW/STPC	01-555052
	TRACK, SUPPORT UPRIGHT-LEFT	STBUW	01-555049
	TRACK, SUPPORT UPRIGHT-RIGHT	STBUW	01-555050
2	GUARD, MAIN TANK BELT ROLLER (see note)	*	*
NOTE: #2 HAS MULTIPLE VARIATIONS. NEED MODEL, SERIAL NUMBER AND POSITION ON THE MACHINE. (MODIFICATION NEEDED PER MACHINE IN THE FIELD)			
3	CONNECTOR, MAIN BELT ROLLER GUARD	ALL	0A-103936
4	SPLICER, MAIN BELT ROLLER GUARD	WELD-ON	0A-103933
5	WATER DIVERTER	STPCW/STBUW	0B-103019
	DIVERTER, WATER	STPC	0B-103017
6	BRACKET, WATER DIVERTER ASSEMBLY	STPCW/STBUW	0B-103020
	ASSEMBLY, WATER DIVERTER BRACKET	STPC	0B-103018
7	SUPPORT, REAR STRAINER PAN STPCW - L-R 32" SCRAP	* 2005 - UP	0A-106952
	SUPPORT, REAR STRAINER PAN STPCW - R-L 32" SCRAP	* 2005 - UP	0A-106954
	SUPPORT, REAR STRAINER PAN STPCW - L-R 36" SCRAP	* 2005 - UP	0A-106955
	SUPPORT, REAR STRAINER PAN STPCW - R-L 36" SCRAP	* 2005 - UP	0A-106956
	SUPPORT, REAR STRAINER PAN STPCW - L-R 44" SCRAP	* 2005 - UP	0A-106957
	SUPPORT, REAR STRAINER PAN STPCW - R-L 44" SCRAP	* 2005 - UP	0A-106959
	SUPPORT, REAR STRAINER PAN STBUW or CAB DR- R-L 44" SCRAP	* 2005 - UP	0A-106964
	SUPPORT, REAR STRAINER PAN STBUW or CAB DR- L-R 44" SCRAP	* 2005 - UP	0A-106963
8	SUPPORT, REAR STRAINER PAN STPCW - 44" WASH/RINSE	* 2005 - UP	0A-106960
	SUPPORT, REAR STRAINER PAN STPCW - 54" WASH/RINSE	* 2005 - UP	0A-106962
	SUPPORT, REAR STRAINER PAN - WASH/RINSE CAB DOORS or STBUW	* 2005 - UP	0A-106965
9	SPACER, STRAINER PAN - 32" SCRAP	* 2005 - UP	0A-106953
	SPACER, STRAINER PAN - 44" SCRAP	* 2005 - UP	0A-106958
10	SPACER, STRAINER PAN - WASH OR RINSE	* 2005 - UP	0A-106961
11	STRAINER PAN, SCRAPPER - [12-1/2 X 24-1/2]	STPCW/STBUW	0A-103108
	SPACER, STRAINER PAN SCR [8 1/2"]	STPC	0B-104812
12	STRAINER PAN, WASH-RINSE-UNLOAD [12-1/2 X 24-1/2]	STPCW/STBUW	0A-101530
	STRAINER PAN, WASH-RINSE-UNLOAD	STPC [12 3/8 x 16 5/16]	0A-101593
13	SCREEN, DRAIN	ALL	0A-102616
14	COVER, SCRAPPER TROUGH, 32" SCRAPPER [RIGHT TO LEFT]	*	0A-104830-00014
	COVER, SCRAPPER TROUGH, 44" SCRAPPER [RIGHT TO LEFT]	*	0A-104830-00016

** LOAD & UNLOAD SECTIONS - REF: PAGE(S) - 7 thru 10

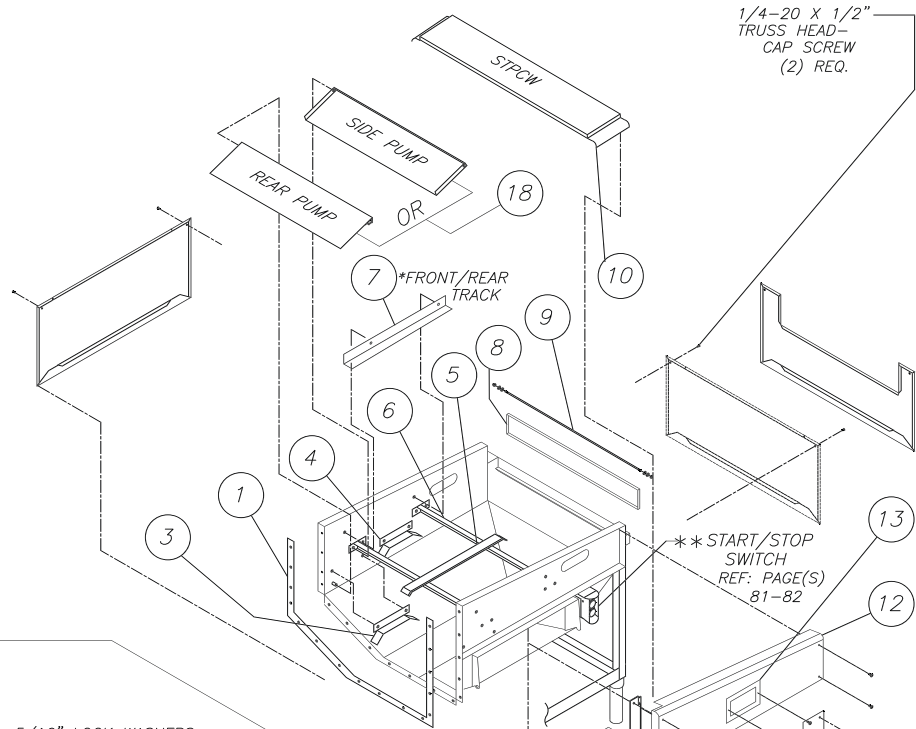
* TO ORDER, SUPPLY MACHINE MODEL AND SERIAL NUMBER

LOAD ASSEMBLY – STPCW / STBUW / STPC

STPCW

R-L LOAD= SHOWN

FRONT
SCRAP
ACCESS



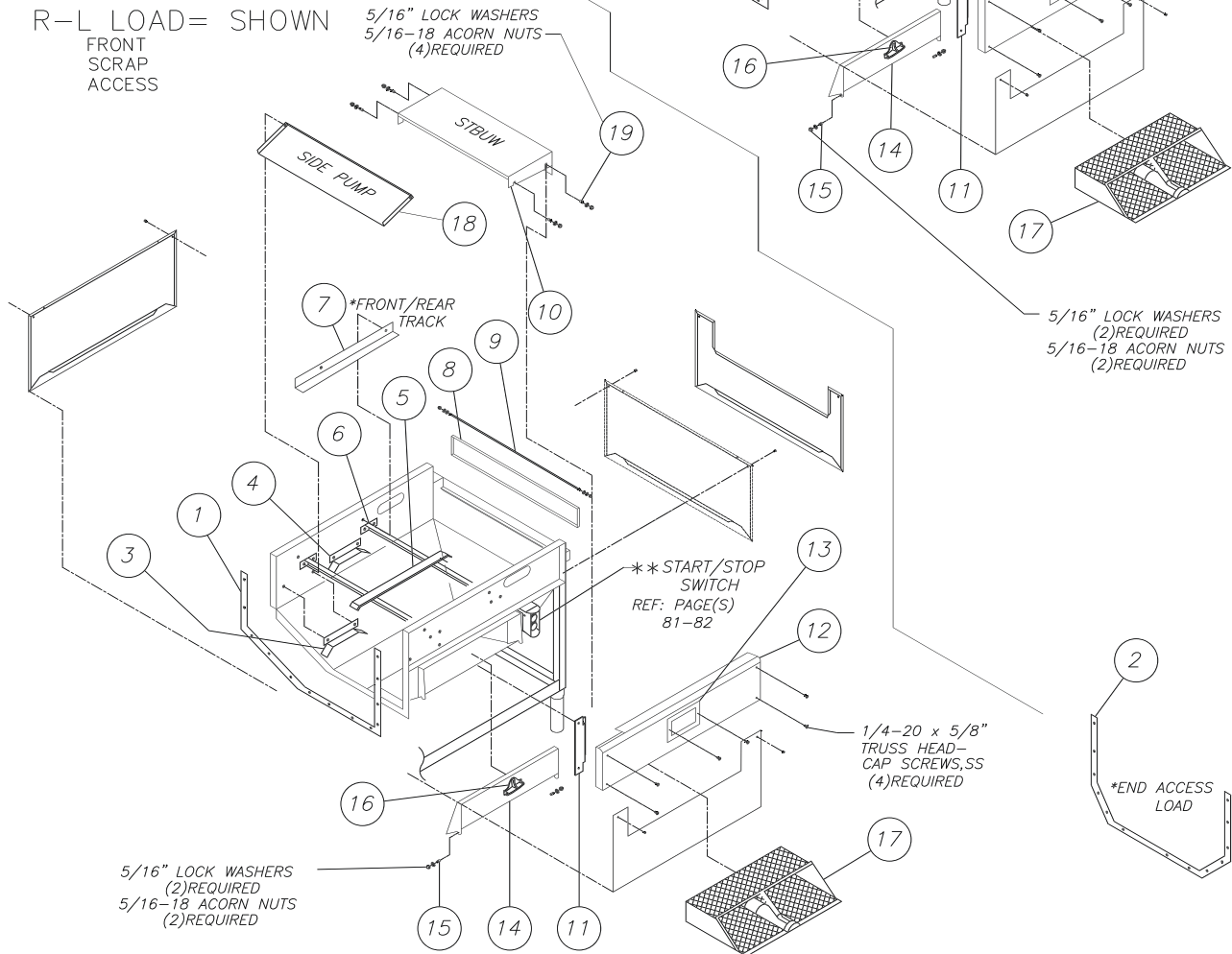
1/4-20 X 1/2"
TRUSS HEAD-
CAP SCREW
(2) REQ.

** START/STOP
SWITCH
REF: PAGE(S)
81-82

STBUW

R-L LOAD= SHOWN

FRONT
SCRAP
ACCESS



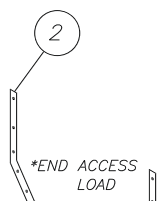
5/16" LOCK WASHERS
5/16-18 ACORN NUTS
(4) REQUIRED

5/16" LOCK WASHERS
(2) REQUIRED
5/16-18 ACORN NUTS
(2) REQUIRED

** START/STOP
SWITCH
REF: PAGE(S)
81-82

1/4-20 x 5/8"
TRUSS HEAD-
CAP SCREWS, SS
(4) REQUIRED

5/16" LOCK WASHERS
(2) REQUIRED
5/16-18 ACORN NUTS
(2) REQUIRED



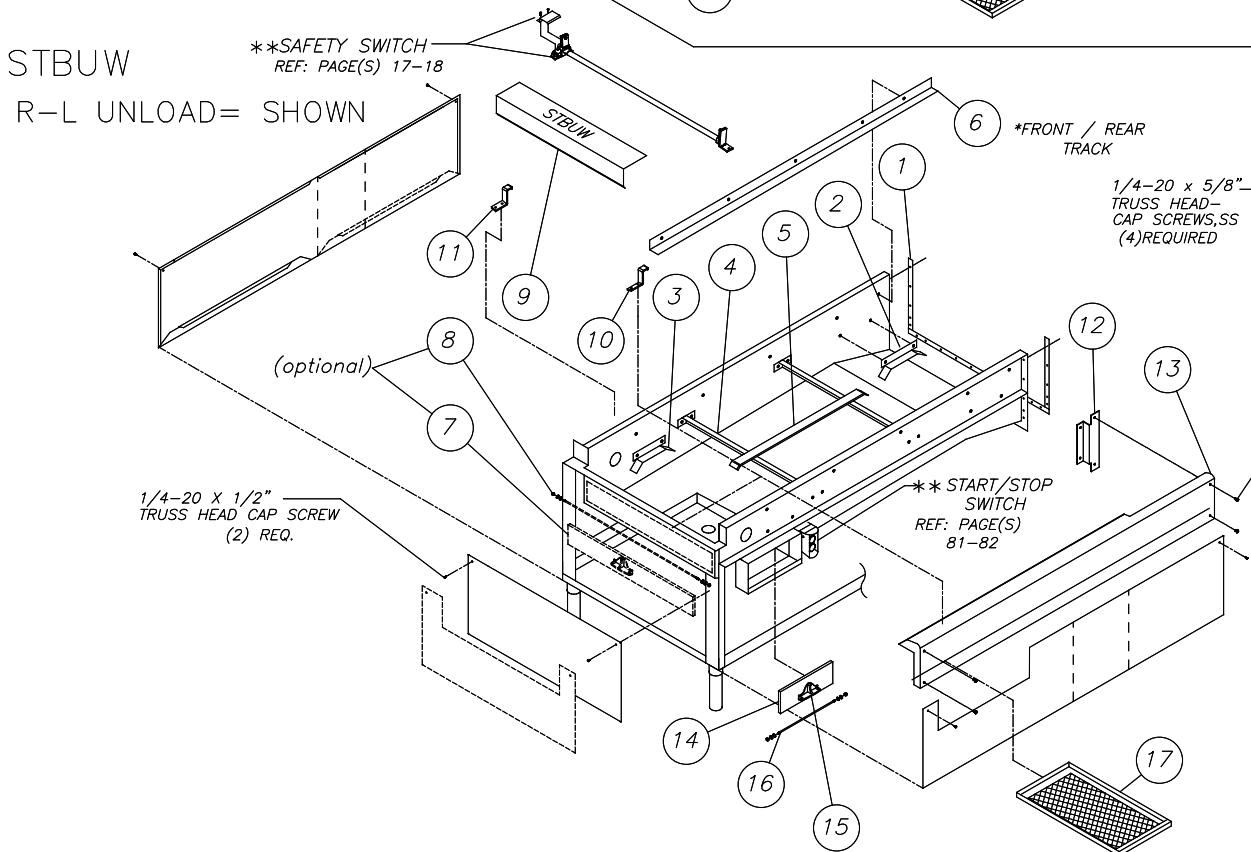
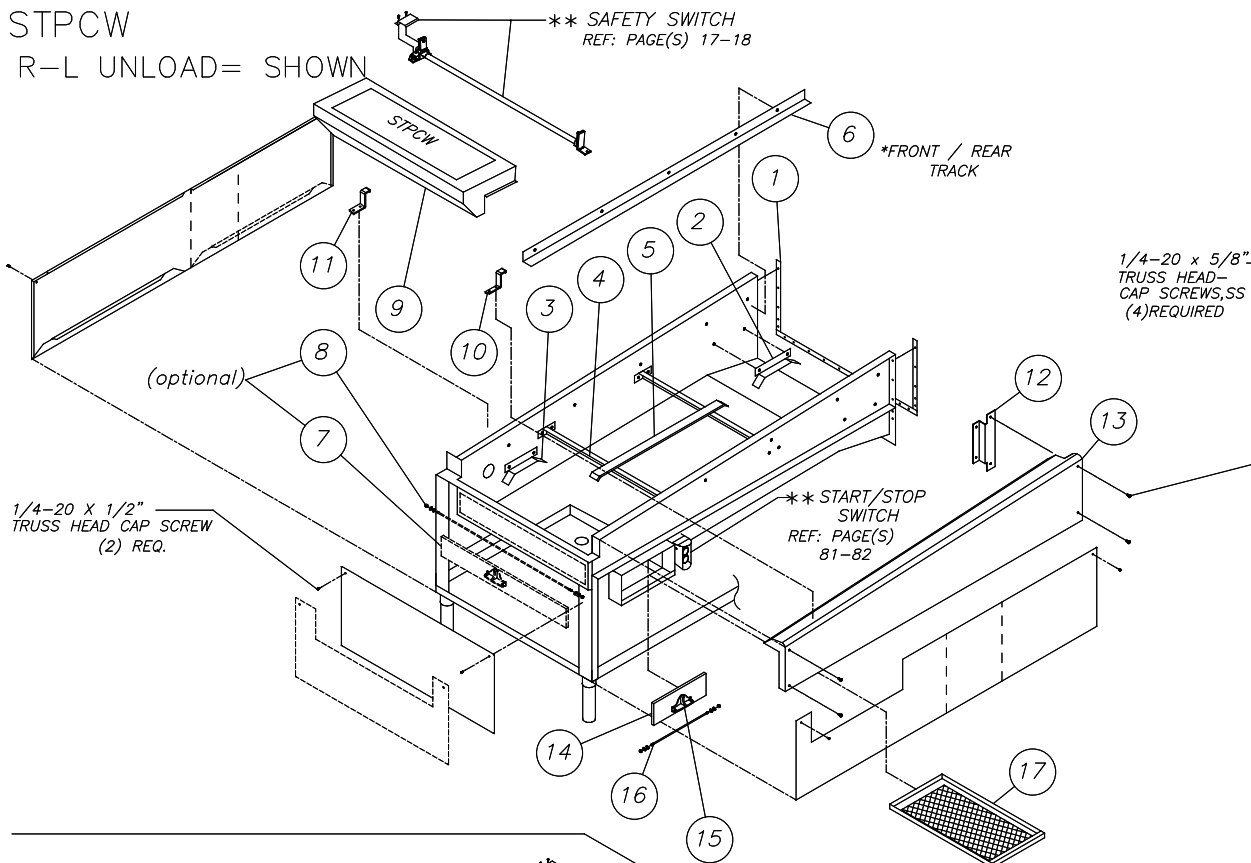
*END ACCESS
LOAD

LOAD ASSEMBLY - STPCW/STBUW/STPC

ITEM	DESCRIPTION	REMARKS	PART#
1	GASKET, LOAD BUTT JOINT	*FRNT/RR ACCESS	0A-104827
2	GASKET, LOAD BUTT JOINT	*END ACCESS	*
3	SUPPORT, BELT LOWER LOAD END 14"	ALL *	0B-103123-0000U
	SUPPORT, BELT LOWER LOAD END 14"	ALL *	0B-103123-0000D
4	SUPPORT, BELT LOWER 8"	EXTENDED LOAD SECTIONS	0A-103124
5	SUPPORT, BELT CHANNEL LOAD 21" 2 BRACE	*	0B-103146
	SUPPORT, BELT CHANNEL LOAD 30"	*EXTENDED LOAD SECTIONS	0B-103146-0000A
6	SUPPORT, BELT CROSS SHAFT		0B-103145
7	TRACK, FRONT OR REAR LOAD 23"	*	*
	TRACK, FRONT OR REAR LOAD 23"	*	*
8	DOOR, LOAD STPCW/STBUW	*END ACCESS	0A-104846
	DOOR, LOAD STPC	*END ACCESS	0B-103125
9	ROD, DOOR PIVOT	*END ACCESS	0A-104847
10	TABLE, LOAD END	STPCW	0B-103117
	TABLE, LOAD END	STBUW	0A-103002
	TABLE, LOAD END	STPC	0B-103003
11	BRACKET, OUTER GUARD MNTG	ALL	0A-105640
12	GUARD, LOAD FRONT [36"]	STPCW/STPC (*)	*
	GUARD, LOAD REAR [36"]	STPCW/STPC (*)	*
	GUARD, LOAD FRONT [36"]	STBUW (*)	*
	GUARD, LOAD REAR [36"]	STBUW (*)	*
13	COVER, PLATE TAKE-UP ACCESS	ALL	0A-103154
14	DOOR, LOAD (SIDE SCRAP ACCESS)	STPCW/STBUW	0B-103126
	DOOR, LOAD (SIDE SCRAP ACCESS)	STPC	0B-103125
15	PIN, LOAD DOOR PIVOT (SIDE SCRAP ACC)	ALL	0P-676769
16	DOOR HANDLE W/SCREWS	ALL	00-913102-00566
17	BASKET, LOAD SCRAP STRAINER	ALL	0B-103079
	BASKET, LOAD SCRAP END ACCESS	*CUSTOM	*
18	SPLASH GUARD SCRAPPER [SIDE PUMP]	STPCW/STBUW	0A-104908
	SPLASH GUARD SCRAPPER [REAR PUMP]	STPCW	0A-105445
	SPLASH GUARD SCRAPPER [REAR PUMP]	STPC	0A-105446
	SPLASH GUARD SCRAPPER [SIDE PUMP]	STPC	0B-103152
19	SCREW, HINGE		0P-676769

* TO ORDER, SUPPLY MACHINE MODEL AND SERIAL NUMBER

UNLOAD ASSEMBLY – STPCW / STBUW / STPC



UNLOAD ASSEMBLY - STPCW/STBUW/STPC

ITEM	DESCRIPTION	REMARKS	PART#
1	GASKET, UNLOAD BUTT JOINT	*	0A-104849
2	SUPPORT, BELT UNLOAD LOWER 20"	*	0B-103121-0000D
	SUPPORT, BELT UNLOAD LOWER 20"	*	0B-103121-0000U
3	SUPPORT, BELT UNLOAD LOWER 8"		0A-103124
4	SUPPORT, BELT CROSS SHAFT		0B-103145
5	SUPPORT, BELT UNLOAD UPPER 77" 4 BRACE	*	0B-103147
	SUPPORT, BELT UNLOAD UPPER 53" 3 BRACE	*	0B-103147-0000A
	SUPPORT, BELT UNLOAD UPPER 29" 2 BRACE	*	0B-103147-0000B
6	TRACK, FRONT OR REAR	*	*
7	DOOR, UNLOAD [OPTIONAL]	*END ACCESS	0A-104846
8	ROD, UNLOAD DOOR PIVOT [OPTIONAL]	*END ACCESS	0A-104847
9	TABLE STACKING S/S	STPCW	01-555212
	TABLE STACKING S/S	STBUW	0B-103005
	TABLE STACKING S/S	STPC	0B-102942
10	BRACKET, FRONT UNLOAD TABLE MNTG	STPCW	0A-102948
	BRACKET, FRONT UNLOAD TABLE MNTG	STBUW	0B-107028
11	BRACKET, REAR UNLOAD TABLE MNTG	STPCW/STPC	0A-102949
	BRACKET, REAR UNLOAD TABLE MNTG	STBUW	0B-107029
12	BRACKET, OUTER GUARD MTNG	ALL	0A-105640
13	GUARD, UNLOAD END FRONT	*	*
	GUARD, UNLOAD END REAR	*	*
14	DOOR, UNLOAD (SIDE SCRAP ACCESS)	ALL	0A-102987
15	HANDLE, DOOR w/HARDWARE	ALL	00-913102-00566
16	ROD, UNLOAD DOOR PIVOT	SIDE SCRAP	0A-104848
17	STRAINER PAN (WASH/RINSE/UNLOAD) [12 1/2 X 24 1/2]	STPCW / STBUW	0A-101530
	STRAINER PAN (WASH/RINSE/UNLOAD) [12 3/8 X 16 5/16]	STPC	0A-101593

* TO ORDER, SUPPLY MACHINE MODEL AND SERIAL NUMBER

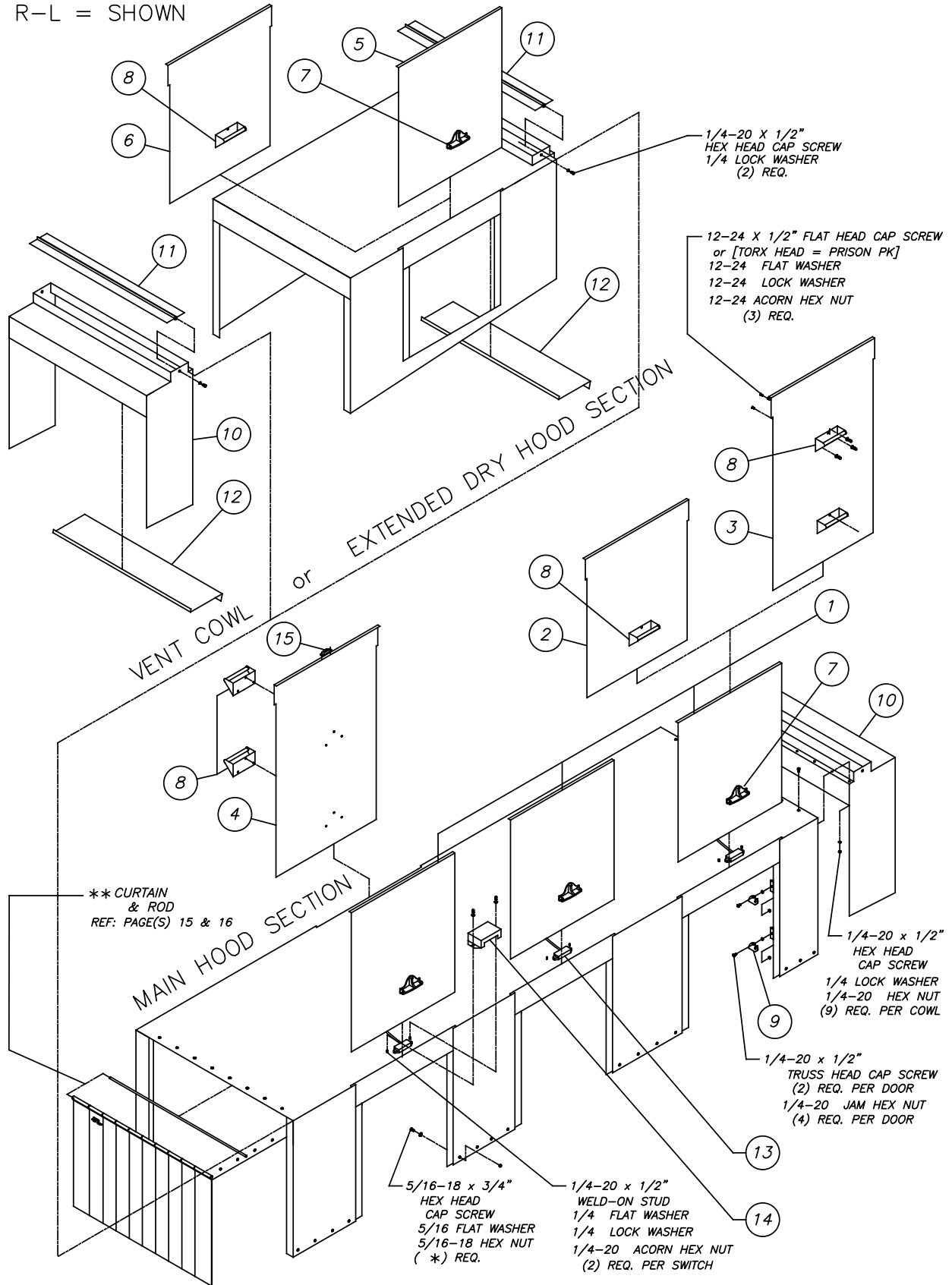
HOOD ASSY, CABINET DOOR

ITEM	DESCRIPTION	REMARKS	QTY	PART#
1	DOOR, STPCW 36" CABINET DBL			0Z-990039
2	DOOR, STPCW 18" CABINET			0Z-990038-000LH
	DOOR, STPCW 18" CABINET			0Z-990038-000RH
3	DOOR, REAR - [LIFT OUT] - 24 X 38-1/4" (OPTIONAL)	STPCW		0A-105156
	DOOR, REAR - [LIFT OUT] - 24 X 45" (OPTIONAL)	STBUW		0A-105125
4	VENT COWL	*		*
5	HANDLE, S/S DOOR			0A-103314
6	HANDLE, DOOR w/HARDWARE	PLASTIC		00-913102-00566
7	DOOR, FRNT-DRY - [LIFT OUT] - 24 X 38-1/4"	STPCW		0A-105153
	DOOR, FRNT-DRY [LIFT OUT] - 24 X 45"	STBUW		0A-105155
8	DRIP PAN (VENT)			0F-990036
9	REED SWITCH ASSEMBLY			0B-104274
10	MAGNET ASSY STERO REED B10-4274			0A-104275
	DOOR MAGNET AFTER S# 104010244			01-555232
11	BRCKT INSULATED DOOR MAGNET			0A-106736
12	BRCKT INSULATED DOOR SWITCH			0A-106735
13	DAMPER STPCW VENT COWL			0A-103164
14	SEAL, 2 DOOR RIGHT UHMW NARROW			0A-106692
15	SEAL, 2 DOOR LEFT UHMW NARROW			0A-106691
16	SEAL, DOOR 18" WIDE DOOR			0A-106690
17	HINGE, CABINET DOOR			0P-606680

* TO ORDER, SUPPLY MACHINE MODEL AND SERIAL NUMBER

HOOD ASSEMBLY – STPCW / STBUW / STPC

R-L = SHOWN

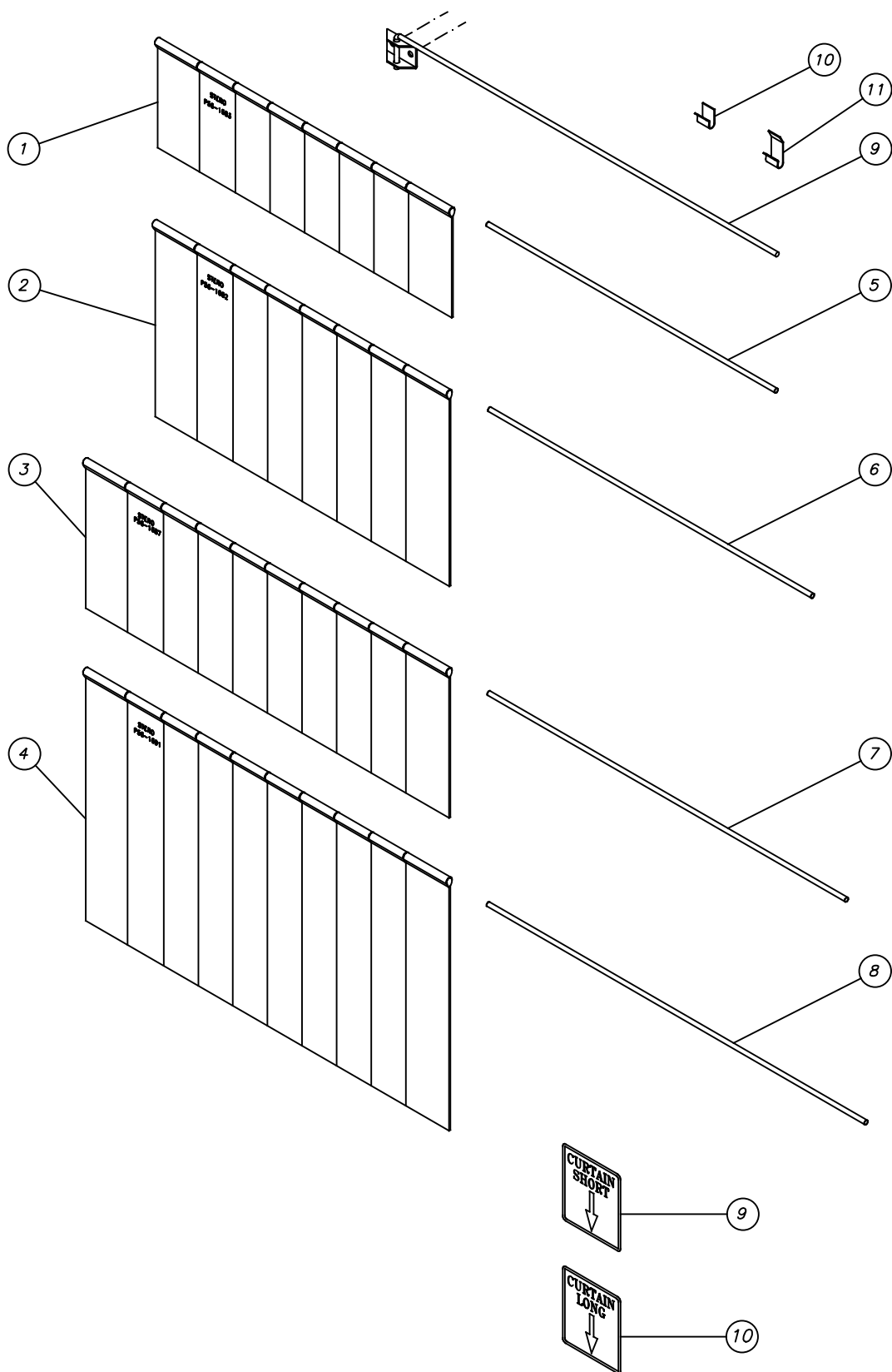


HOOD ASSEMBLY - STPCW / STBUW / STPC

ITEM	DESCRIPTION	REMARKS	QTY	PART#
NOTE: PLASTIC DOOR HANDLES ON REAR PUMP DOORS BELOW				
1	DOOR, FRONT - [LIFT UP] - 24 x 27-1/2"	* STPCW - RP		0A-102994
	DOOR, FRONT - [LIFT UP] - 24 x 41-1/4"	* STPCW - SP		0A-105159
	DOOR, FRONT - [LIFT UP] - 24 x 23-1/2"	* STPC - RP		0A-102973
NOTE: STAINLESS DOOR HANDLES ON SIDE PUMP DOORS BELOW				
2	DOOR, FRONT - [LIFT OUT] - 24 x 27-1/2"	* STPCW - RP		0A-105158
	DOOR, FRONT - [LIFT OUT] - 24 x 23-1/2"	* STPC - RP		0A-105162
3	DOOR, FRONT - [LIFT OUT] - 24 x 41-1/4"	* STPCW - SP		0A-105126
	DOOR, FRONT - [LIFT OUT] - 24 x 47"	* STBUW - SP		0A-105124
	DOOR, FRONT - [LIFT OUT] - 24 x 37-1/4"	* STPC - SP		0A-105128
NOTE: STAINLESS DOOR HANDLES ON DOORS BELOW				
4	DOOR, REAR - [LIFT OUT] - 24 x 38-1/4"	* STPCW - RP		0A-105156
	DOOR, REAR - [LIFT OUT] - 24 x 38-1/4"	* STPCW - SP		0A-105127
	DOOR, REAR - [LIFT OUT] - 24 x 45"	* STBUW - SP		0A-105125
	DOOR, REAR - [LIFT OUT] - 24 x 34-1/4"	* STPC - RP		0A-105157
	DOOR, REAR - [LIFT OUT] - 24 x 34-1/4"	* STPC - SP		0A-105129
NOTE: PLASTIC DOOR HANDLES ON REAR PUMP DOORS BELOW				
5	DOOR, FRNT-DRY - [LIFT UP] - 24 x 34-1/4"	* OPT - STPCW - RP		0A-104939
	DOOR, FRNT-DRY - [LIFT UP] - 24 x 34-1/4"	* OPT - STPC - RP		0A-103118
NOTE: STAINLESS DOOR HANDLES ON SIDE PUMP DOORS BELOW				
6	DOOR, FRNT-DRY - [LIFT OUT] - 24 x 38-1/4"	* OPT - STPCW - SP		0A-105153
	DOOR, FRNT-DRY - [LIFT OUT] - 24 x 45"	* OPT - STBUW - SP		0A-105155
	DOOR, FRNT-DRY - [LIFT OUT] - 24 x 3-1/4"	* OPT - STPC - SP		0A-105154
7	HANDLE, DOOR - PLASTIC w/HARDWARE			00-913102-00566
8	HANDLE, DOOR - STAINLESS			0A-103314
9	CATCH, DOOR SAFETY "PAC-MAN"	REAR PUMP ONLY		0A-101578
10	VENT COWL	*		*
11	DAMPER, VENT COWL	STPCW/STBUW		0A-103164
	DAMPER, VENT COWL	STPC		0A-103163
12	SPLASH SHIELD, VENT COWL	STPCW/STBUW		0F-990036
	SPLASH SHIELD, VENT COWL	STPC		0F-990036-0000A
13	REED SWITCH ASSEMBLY			0B-104274
14	COVER, REED SWITCH DOORS			0A-103968
15	MAGNET, DOOR			0A-104275
	DOOR MAGNET AFTER S# 104010244			01-555232

* TO ORDER, SUPPLY MACHINE MODEL AND SERIAL NUMBER

CURTAINS AND RODS

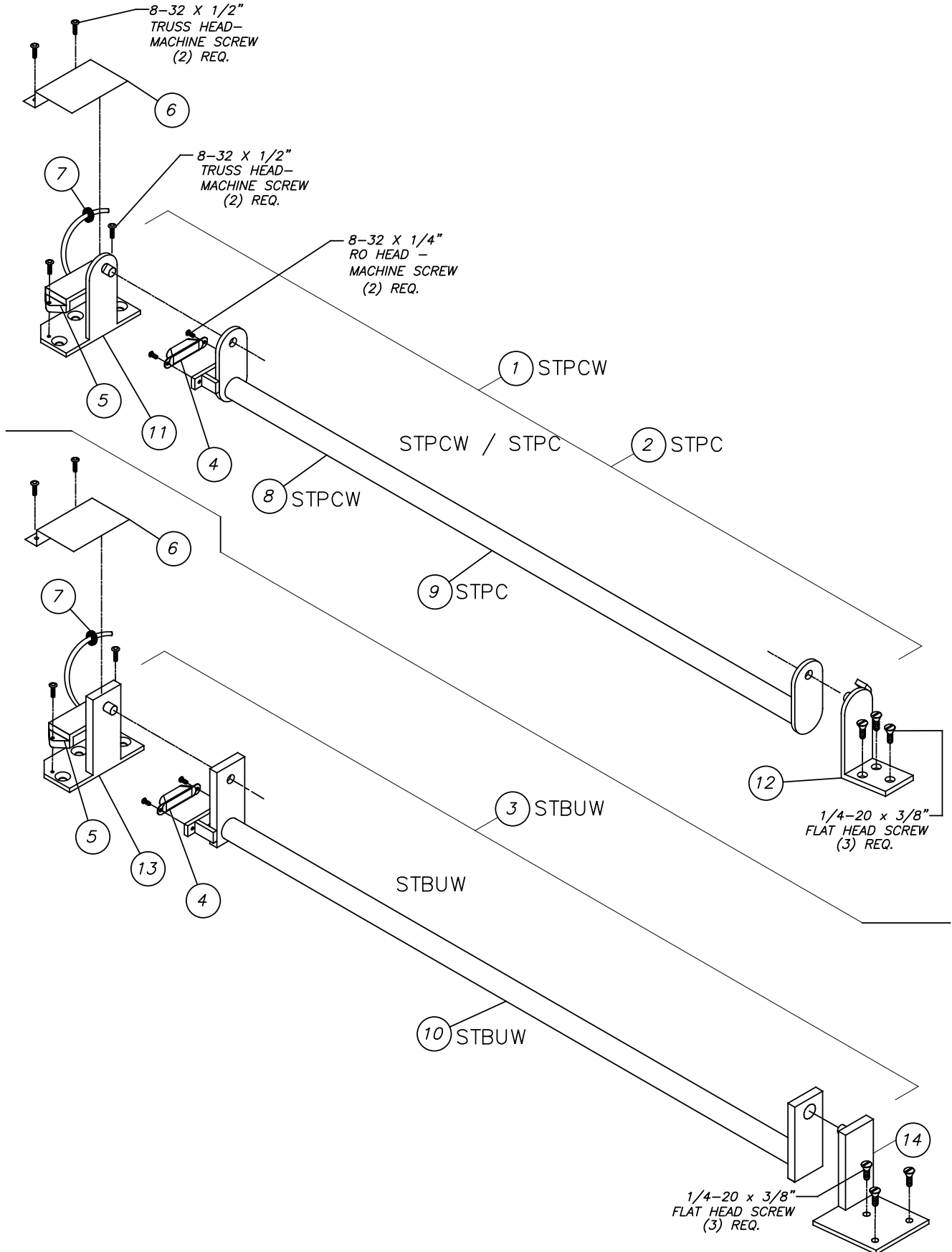


CURTAINS AND RODS

ITEM	DESCRIPTION	REMARKS	QTY	PART#
1	CURTAIN, SHORT [25-1/2 X 8"]	STPC		0P-561683
2	CURTAIN, LONG [25-1/2 X 15"]	STPC		0P-561682
3	CURTAIN, SHORT [31-1/2 X 11-1/4"]	STPCW/STBUW		0P-561687
4	CURTAIN, LONG [31-1/2 X 19"]	STPCW/STBUW		0P-561691
	CURTAIN, LONG [31-1/2 X 29"]	STBUW VENT COWL		0P-561689
5	ROD, VENT COWL CURTAIN [25"]	STPC		0A-103103
6	ROD, MAIN SECTION CURTAIN [28"]	STPC		0A-103102
7	ROD, VENT COWL CURTAIN [31"]	STPCW/STBUW		0A-103105
8	ROD, MAIN SECTION CURTAIN [34-1/4"]	STPCW/STBUW		0A-103104
9	ASS'BLY, MAIN SECT. CURTAIN ROD [33"]	PRISON PKG BUILT BEFORE 2012		0A-105185
	NOTE: INCLUDES BRACKET			
10	HOOK, CURTAIN SHORT	WELD-ON		0A-102677
11	HOOK, CURTAIN LONG	WELD-ON		0A-103095
12	DECAL, SHORT CURTAIN			0A-691974
13	DECAL, LONG CURTAIN			0A-691975
NOTE: ADD AN "A" TO THE END OF CURTAIN ROD PART NUMBER FOR NEW STYLE PRISON PACKAGE CURTAIN ROD				

* TO ORDER, SUPPLY MACHINE MODEL AND SERIAL NUMBER

SAFETY SWITCH ASSEMBLY

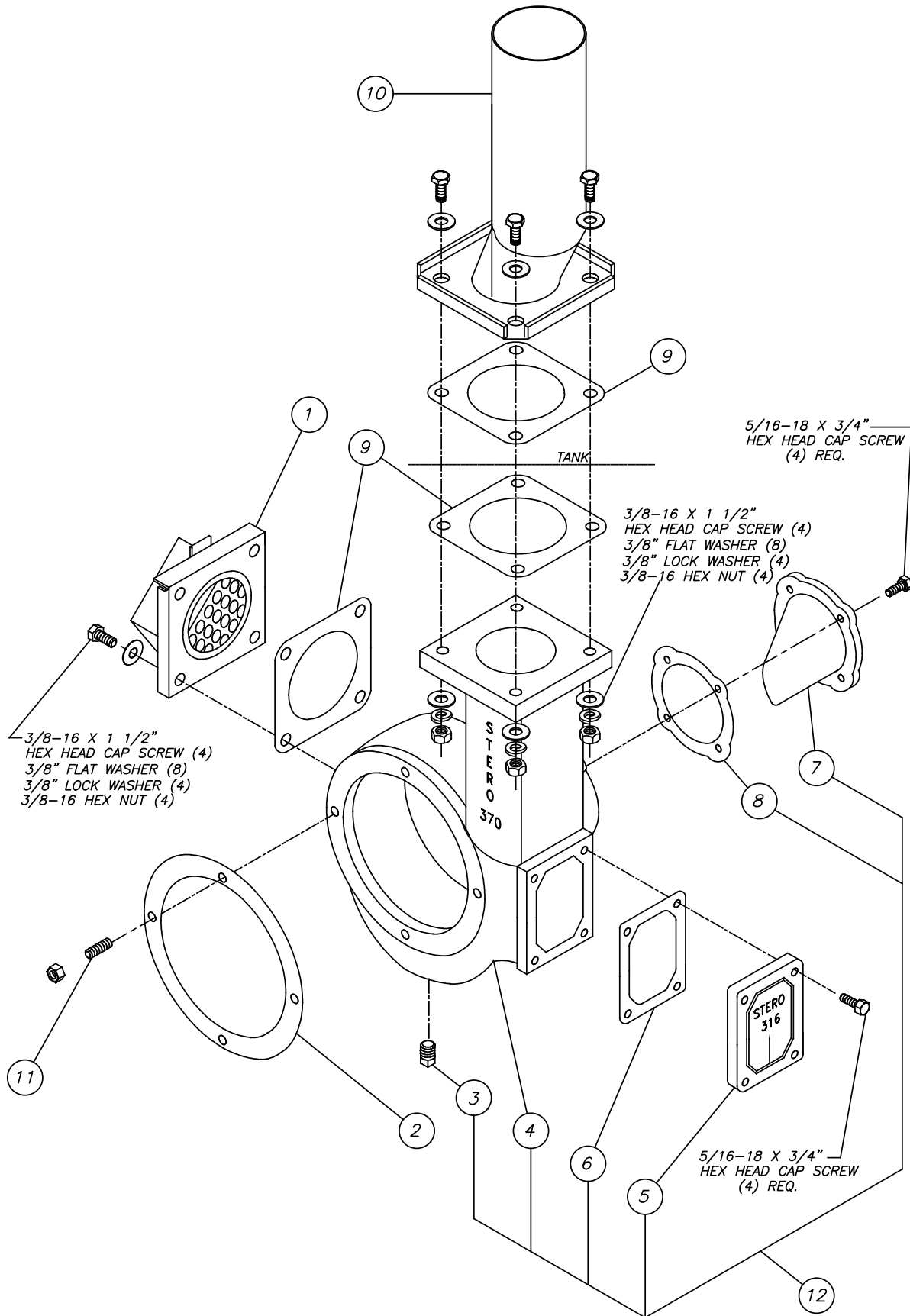


SAFETY SWITCH ASSEMBLY

ITEM	DESCRIPTION	REMARKS	QTY	PART#
1	SWING BAR STOP ASSEMBLY	* STPCW LEFT TO RIGHT		0B-104773-000LR
	SWING BAR STOP ASSEMBLY	* STPCW RIGHT TO LEFT		0B-104773-000RL
	INCLUDES ITEMS - 4-8, 11 & 12			
2	SWING BAR STOP ASSEMBLY	* STPC LEFT TO RIGHT		0B-104872-000LR
	SWING BAR STOP ASSEMBLY	* STPC RIGHT TO LEFT		0B-104872-000RL
	INCLUDES ITEMS - 4-7, 9, 11 & 12			
3	SWING BAR STOP ASSEMBLY	* STBUW LEFT TO RIGHT		0B-104985-000LR
	SWING BAR STOP ASSEMBLY	* STBUW RIGHT TO LEFT		0B-104985-000RL
	INCLUDES ITEMS - 4-7, 10, 13 & 14			
4	MAGNET, REED SWITCH	METAL		0A-104275
	MAGNET, REED SWITCH (AFTER S# 104010244)	PLASTIC		01-555232
5	REED SWITCH ASSEMBLY			0B-104274
6	COVER, REED SWITCH			0A-103949
7	GROMMET .50 OD X .18 ID X .25 THK			0P-572516
8	BAR SWING, CONVEYOR STOP	* STPCW LEFT TO RIGHT		0B-104771-000LR
	BAR SWING, CONVEYOR STOP	* STPCW RIGHT TO LEFT		0B-104771-000RL
9	BAR SWING, CONVEYOR STOP	* STPC LEFT TO RIGHT		0B-104772-000LR
	BAR SWING, CONVEYOR STOP	* STPC RIGHT TO LEFT		0B-104772-000RL
10	BAR SWING, CONVEYOR STOP	* STBUW LEFT TO RIGHT		0A-104974-000LR
	BAR SWING, CONVEYOR STOP	* STBUW RIGHT TO LEFT		0A-104974-000RL
11	BRACKET, MTG REED SWITCH & SWING BAR	STPCW/STPC		0A-104769
12	BRACKET, MTG SWING BAR CONVEYOR STOP	* STPCW LEFT TO RIGHT		0A-104770-000LR
	BRACKET, MTG SWING BAR CONVEYOR STOP	* STPCW RIGHT TO LEFT		0A-104770-000RL
13	BRACKET, MTG REED SWITCH & SWING BAR	STBUW		0A-104969
14	BRACKET, MTG SWING BAR CONVEYOR STOP	* STBUW LEFT TO RIGHT		0A-104970-000LR
	BRACKET, MTG SWING BAR CONVEYOR STOP	* STBUW RIGHT TO LEFT		0A-104970-000RL

* TO ORDER, SUPPLY MACHINE MODEL AND SERIAL NUMBER

ASSEMBLY, #370 PUMP, REAR ACCESS

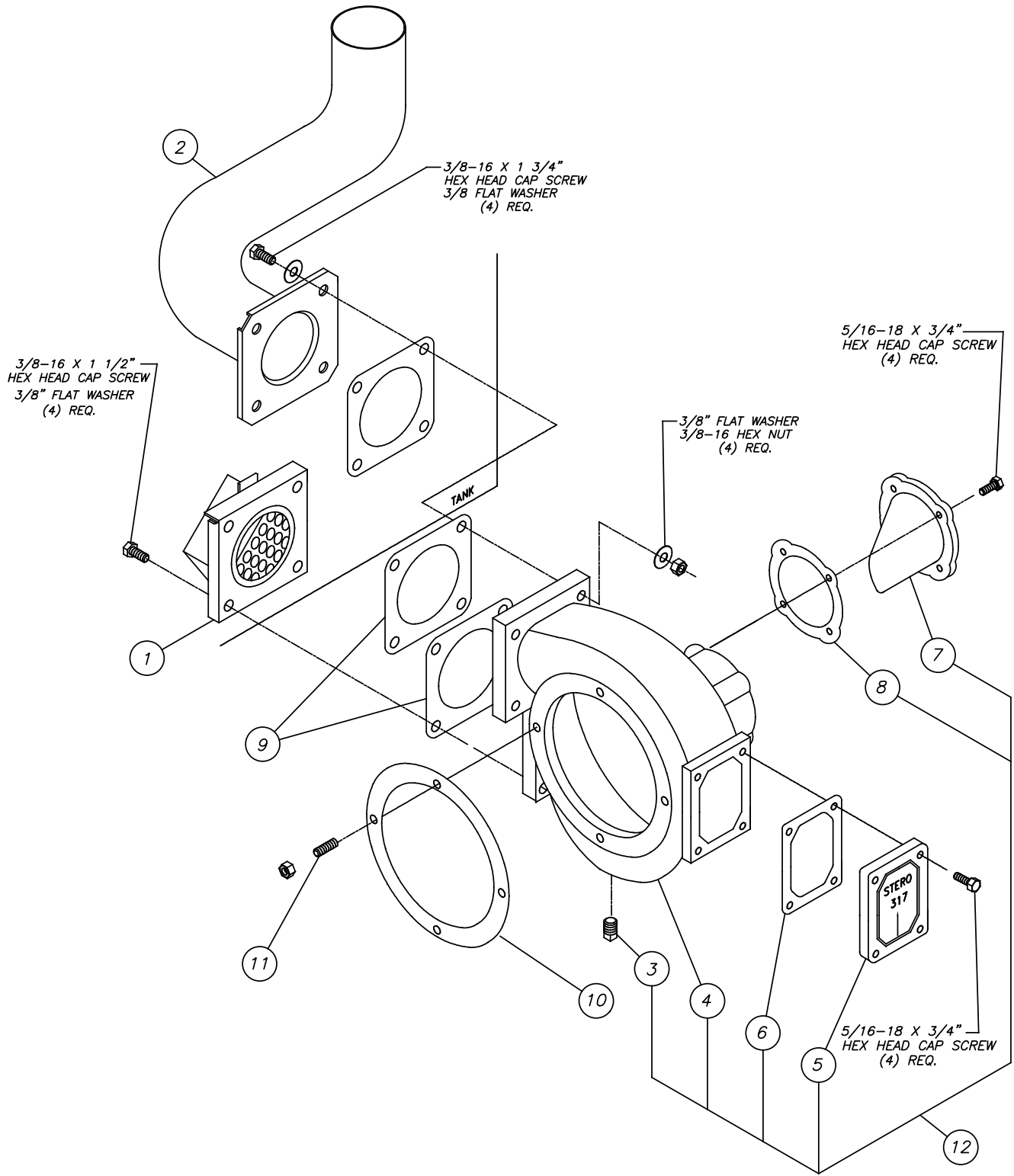


ASSEMBLY, #370 PUMP, REAR ACCESS

ITEM	DESCRIPTION	REMARKS	QTY	PART#
1	SCREEN, PUMP INTAKE			0B-105763
2	GASKET, (Z) MOTOR FLANGE LARGE			0B-571756
3	PLUG, BLACK IRON 1/4 MIP			0P-681605
4	PUMP HOUSING #370			0C-101299
5	COVER, INSPECTION #316			0A-102441
6	GASKET, (G) 316 & 317 INSPECTION COVER			0A-571754
7	COVER, CLEAN-OUT #371			0A-101300
8	GASKET, Z-1 371 RND INSPECTION COVER			0A-571755
9	GASKET, (N) 368 PUMP MOUNTING		2	0B-571757
10	RISER, PUMP OUTPUT			0C-102931
11	3/8-16 X 1 1/2 DBL END STUD BL		4	0S-670037
12	ASSEMBLY, #370 PUMP COMPLETE			0B-102298
	INCLUDES ITEMS 3-8 & 11(x4)			

* TO ORDER, SUPPLY MACHINE MODEL AND SERIAL NUMBER

ASSEMBLY, #368 PUMP, FRONT ACCESS

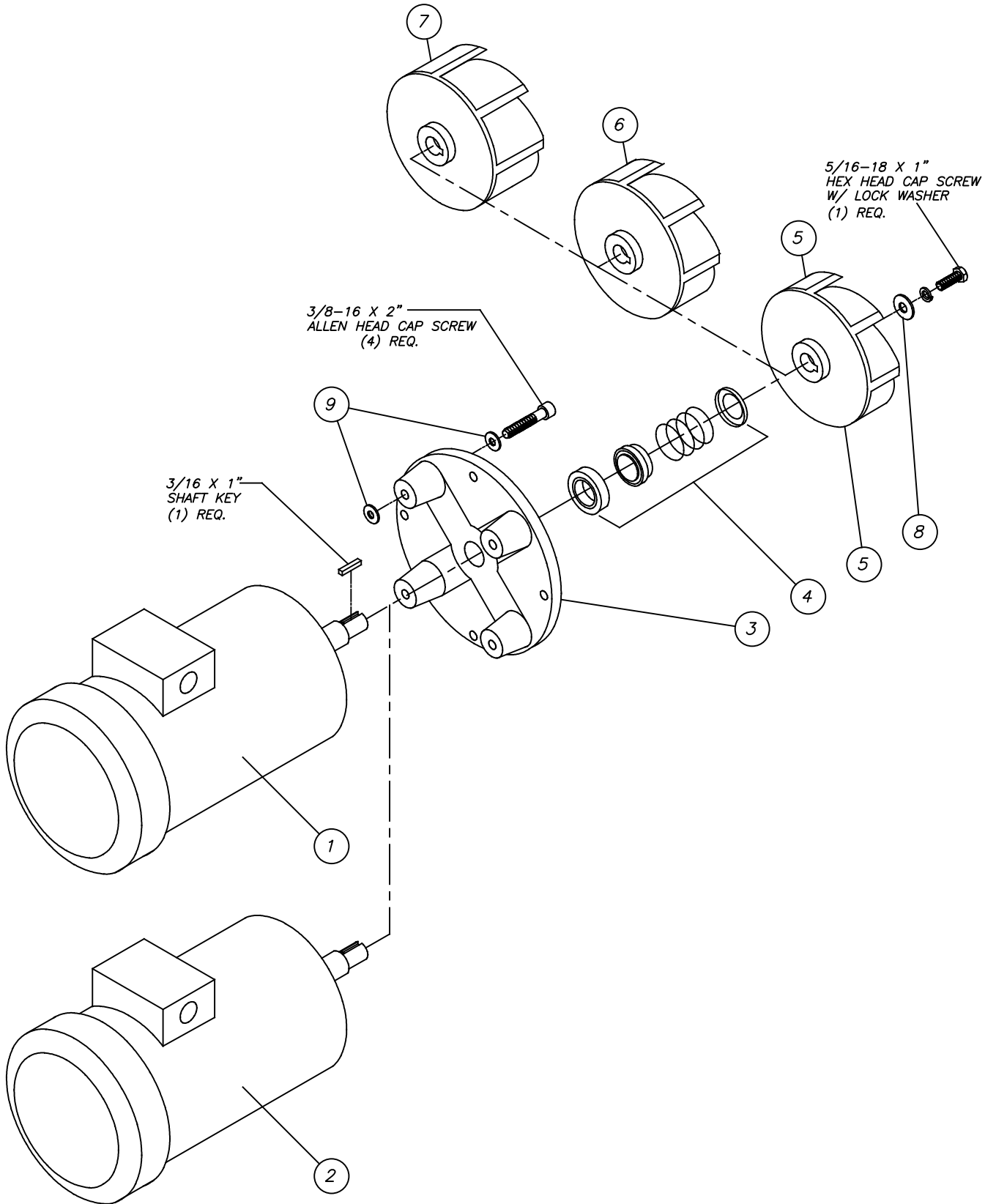


ASSY, #368 PUMP, FRONT ACCESS

ITEM	DESCRIPTION	REMARKS	QTY	PART#
1	SCREEN, PUMP INTAKE			0B-105763
2	TUBE, CROSSOVER SCRAPPER 32", 36", 44" TANKS	STPCW/STBUW		0B-106880
	TUBE, CROSSOVER WASH/RINSE 44" TANKS	STPCW/STBUW		0B-106881
	TUBE, CROSSOVER SCRAPPER 36" L - R TANK	STPCW/STBUW		0B-106882
	TUBE, CROSSOVER WASH/RINSE 54" TANKS	STPCW/STBUW		0B-106883
	TUBE, CROSSOVER SCRAPPER 32", 36", 44" TANKS	STPC		0B-106884
	TUBE, CROSSOVER WASH/RINSE 44" TANKS	STPC		0B-106885
	TUBE, CROSSOVER SCRAPPER 36" L - R TANK	STPC		0B-106886
	TUBE, CROSSOVER WASH/RINSE 54" TANKS	STPC		0B-106887
3	PLUG, BI 1/4 MIP			0P-681605
4	HOUSING, PUMP #368			0C-101089
5	COVER, INSPECTION #317			0A-101753
6	GASKET, (G) 316 & 317 INSPT COVER			0A-571754
7	COVER, CLEAN-OUT #371			0A-101300
8	GASKET, (Z-1) 371 RND INSPCT COVER			0A-571755
9	GASKET, (N) 368 PUMP MOUNTING		2	0B-571757
10	GASKET, (Z) MOTOR FLANGE LARGE			0B-571756
11	3/8-16 X 1 1/2 DBL END STUD BL		4	0S-670037
12	ASSY, PUMP #368			0B-101752
	INCLUDES ITEMS 3-8 & 11(x4)			

* TO ORDER, SUPPLY MACHINE MODEL AND SERIAL NUMBER

MOTOR ASSEMBLY

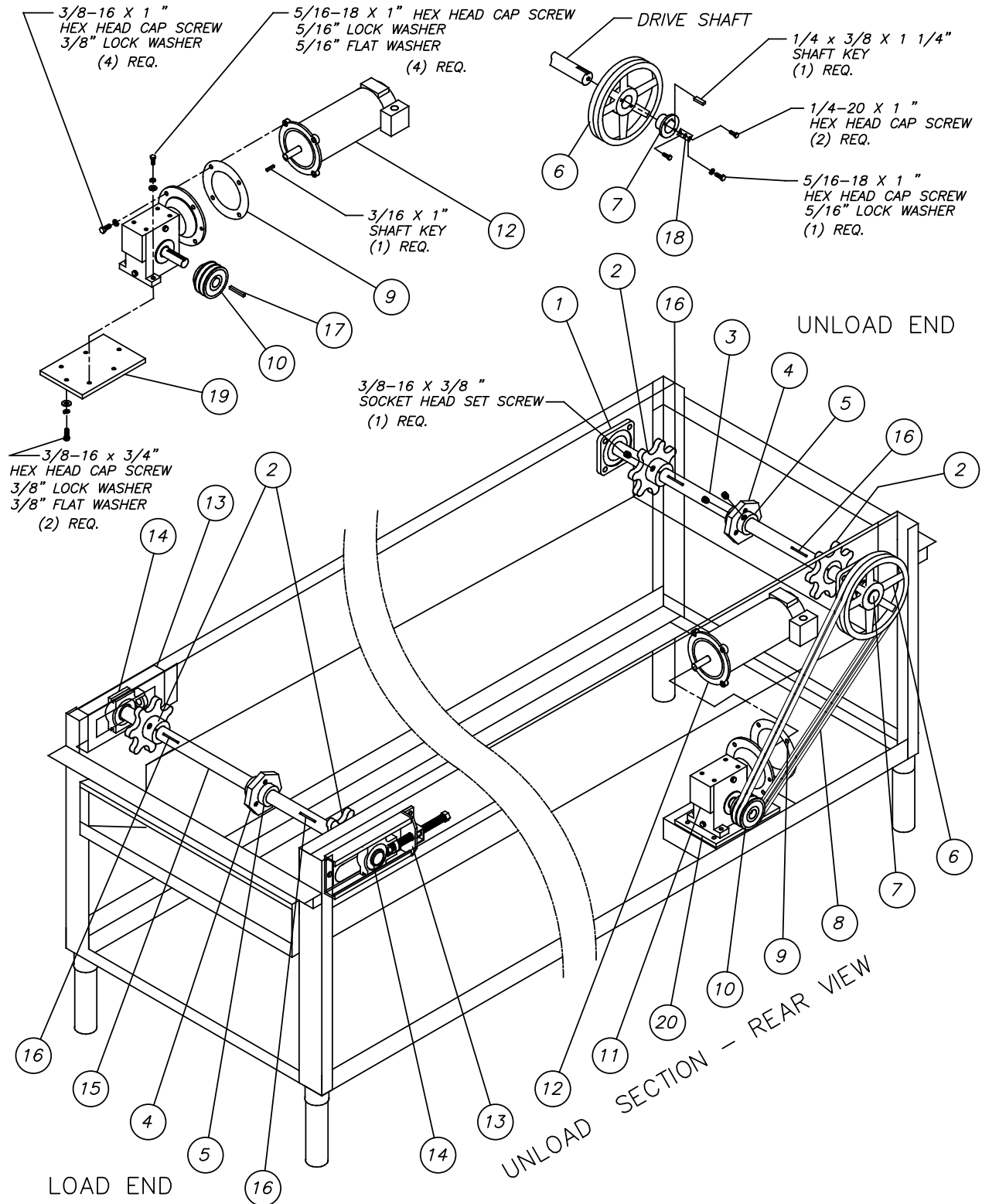


MOTOR ASSEMBLY

ITEM	DESCRIPTION	REMARKS	QTY	PART#
1	MOTOR, 3HP 208/240/460V 3PH 60HZ			0P-411342
2	MOTOR, 2HP 208/240/460V 3PH 60HZ			0P-411341
3	ADAPTOR, END BELL #499			0C-101052
4	SEAL, SHAFT 1"			0P-571697
5	IMPELLER, STAINLESS STEEL # 375			0B-105488
6	IMPELLER, STAINLESS STEEL # 372			0B-105491
7	IMPELLER, STAINLESS STEEL # 311			0B-105489
8	WASHER, FLAT SS .344 ID .875 OD .094 THK			0A-102014
9	WASHER, FLAT SS .375 ID .563 OD .030 THK			0P-671909
	MOTOR ASSY 2HP 3PH 375 IMPELLER (COMPLETE - INCLUDES 1,3,4,5,8 & 9)	STPC WASH/RINSE		0B-102179
	MOTOR ASSY 3HP 3PH 372 IMPELLER (COMPLETE - INCLUDES 2,3,4,6,8 & 9)			0B-102180
	MOTOR ASSY 2HP 3PH 311 IMP 368 (COMPLETE - INCLUDES 1,3,4,7,8 & 9)	SCRAPPER ALL STPC, 32" SCRAPPER STPCW		0B-102178

* TO ORDER, SUPPLY MACHINE MODEL AND SERIAL NUMBER

BELT DRIVE ASSEMBLY – STPCW / STPC / STBUW

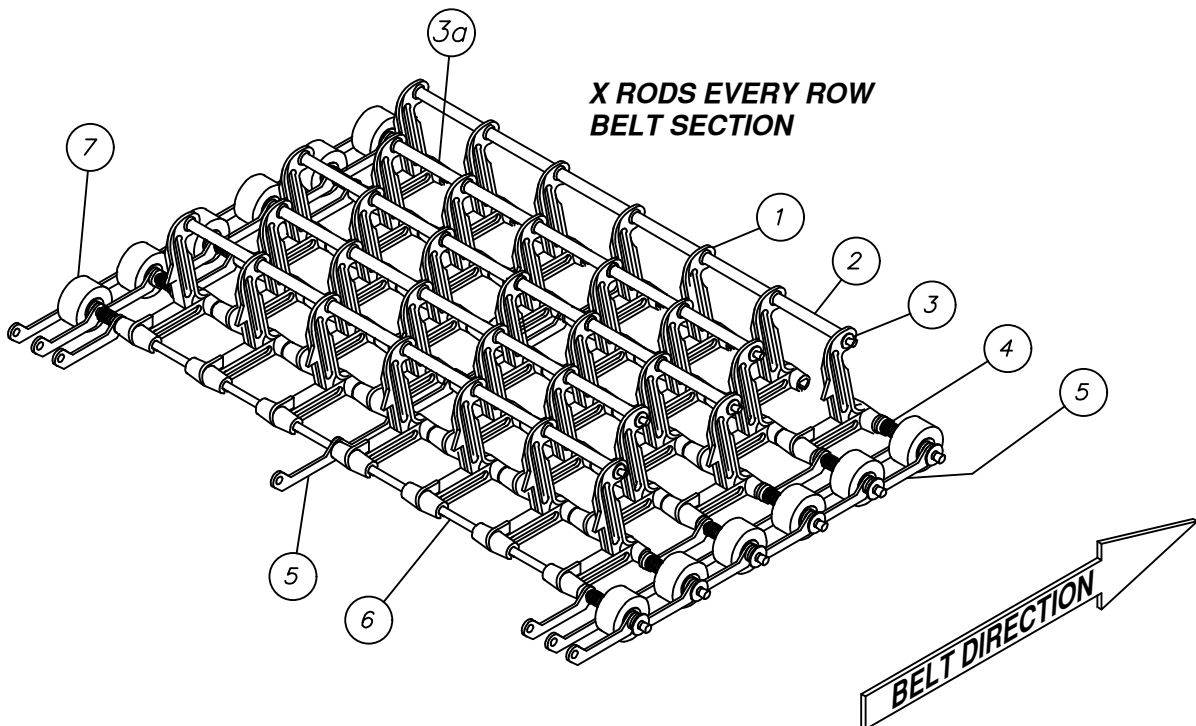
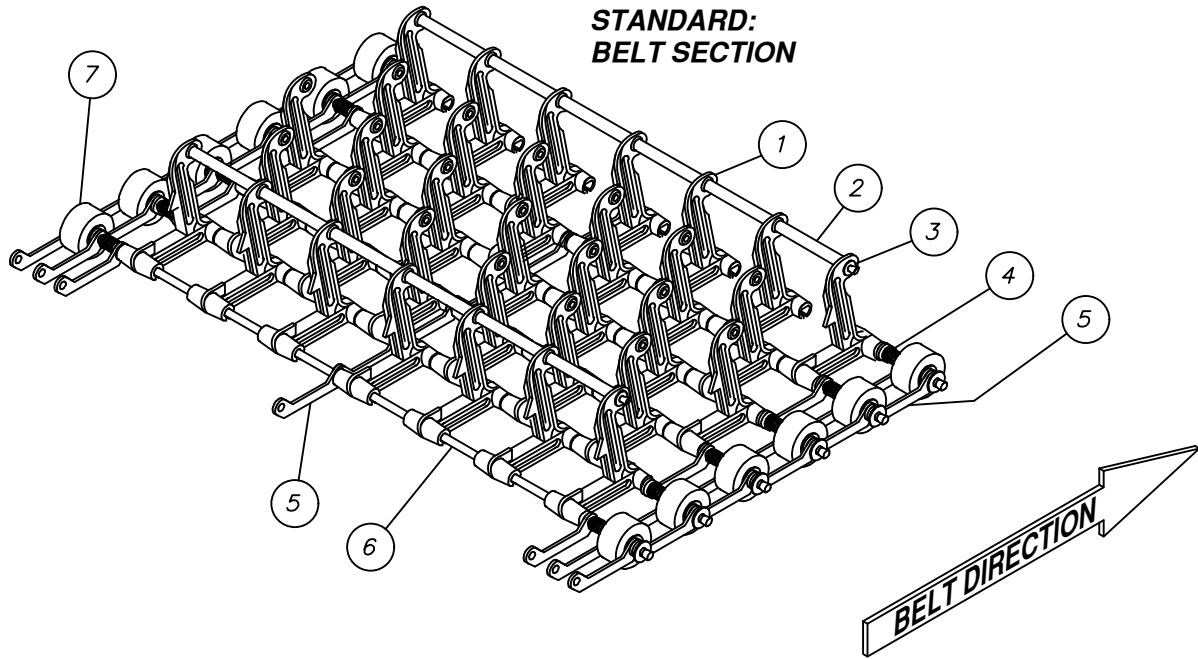


BELT DRIVE ASSEMBLY - STPCW/STPC/STBUW

ITEM	DESCRIPTION	REMARKS	QTY	PART#
1	BEARING ASSEMBLY, DRIVE END		2	0P-661978
2	SPROCKET 7-TOOTH (2 1/2" CENTERS)	STPCW/STPC	4	0B-103035
	SPROCKET 5-TOOTH (3 1/2" CENTERS)	STBUW/SS BELTS	4	0B-103032
3	SHAFT, DRIVE END	STPCW/STBUW		0B-101267
	SHAFT, DRIVE END	STPC		0B-101269
4	GUIDE, USE W/7-TOOTH SPRKT 2 1/2" CTR	IDLER		0B-101086
	GUIDE, USE W/5-TOOTH SPRKT 3 1/2" CTR	SS BELT		0B-101309
5	COLLAR, SET SCREW	3/8-16		0P-661979
6	PULLEY, DRIVE END			0P-661975
7	BUSHING			0P-661974
8	V-BELTS		2	0P-661281
9	GASKET, MOTOR TO GEAR BOX			0A-571020
10	PULLEY, GEAR BOX			0P-661972
11	GEAR BOX 73:1 LEFT HAND (R-L)	STPCW/STPC		0P-581216
	GEAR BOX 73:1 RIGHT HAND (L-R)	STPCW/STPC		0P-581215
	GEAR BOX 60:1 LEFT HAND (R-L)	STBUW/ S.S. BELTS		0P-581334
	GEAR BOX 60:1 RIGHT HAND (L-R)	STBUW/ S.S. BELTS		0P-581333
	GEAR BOX 50:1 LEFT HAND (R-L)	4 TANK MACHINES		0P-581336
	GEAR BOX 50:1 RIGHT HAND (L-R)	4 TANK MACHINES		0P-581335
12	MOTOR, DC 1/2 HP	STPCW/STPC		0P-411213
	MOTOR, DC 1 HP	STBUW/ S.S. BELTS/ 25' & UP PLASTIC		0P-411214
13	HOUSING, TAKE-UP BEARING - (W/BOLT)	0P-661976	2	01-555119
14	BEARING, TAKE-UP		2	0P-661977
15	SHAFT, TAKE-UP END	STPCW/STBUW		0B-101268
	SHAFT, TAKE-UP END	STPC		0B-101270
16	KEY			0A-102993
17	KEY 1/4 X 2"			0P-501338
18	RETAINER, DRIVE SPROCKET PULLEY			0A-104986
19	PLATE, DRIVE MOTOR MOUNTING			0B-103158

* TO ORDER, SUPPLY MACHINE MODEL AND SERIAL NUMBER

BELT CONVEYOR ASSEMBLY – PLASTIC PEGS

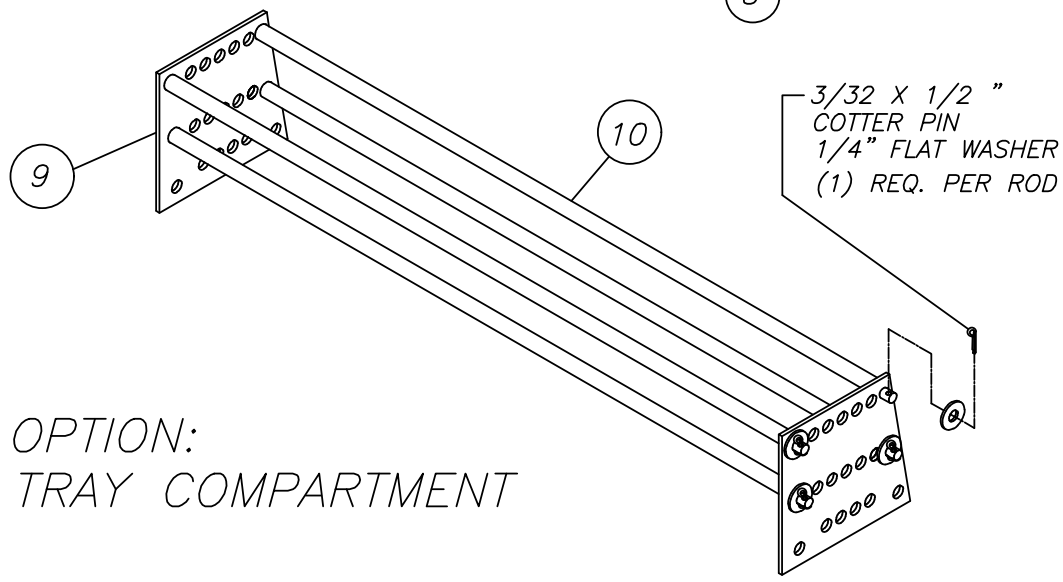
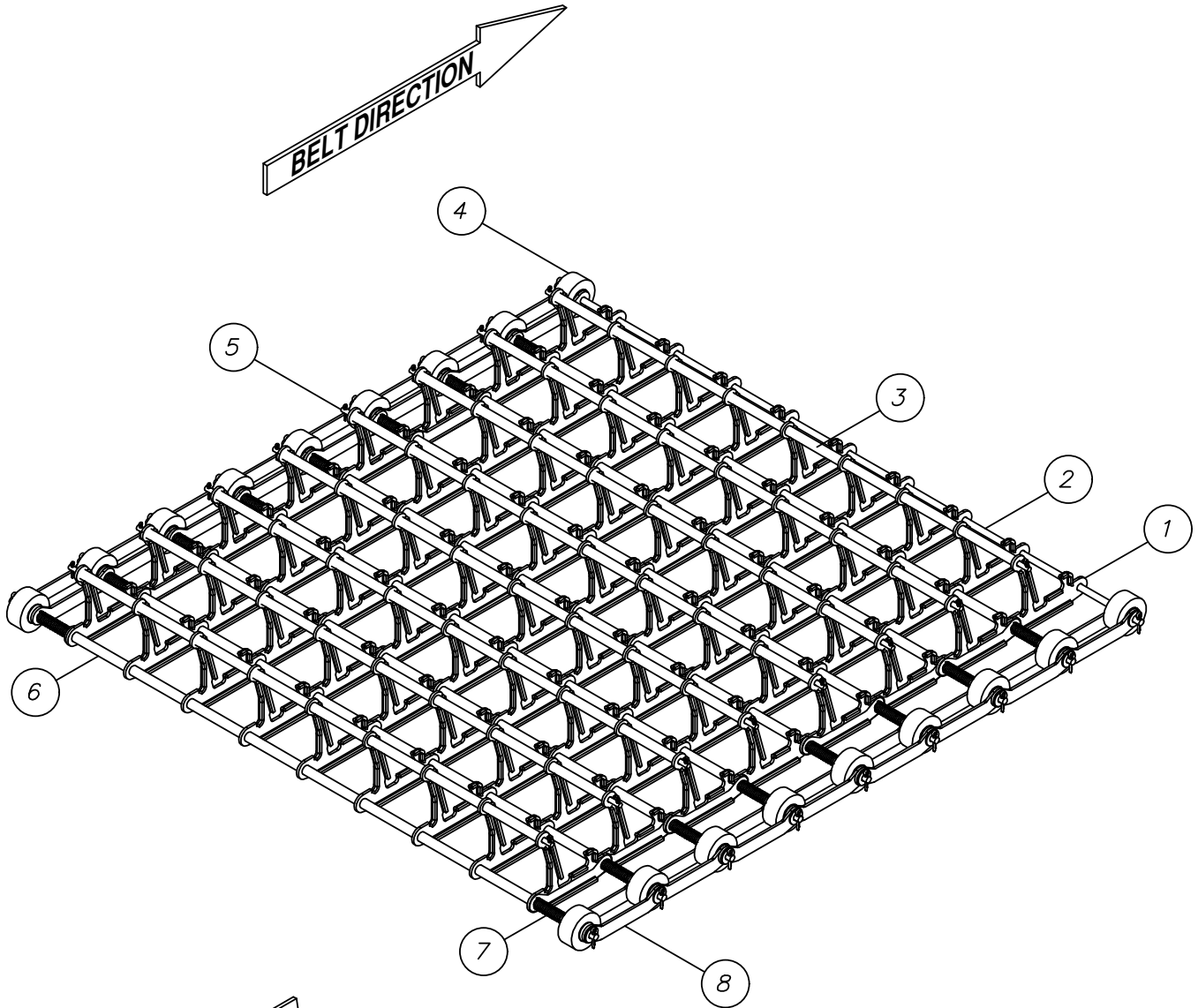


BELT CONVEYOR ASSEMBLY - PLASTIC PEGS

ITEM	DESCRIPTION	REMARKS	QTY	PART#
1	PEG LINK, BANQUET TYPE	2-1/2" CENTERS		0C-595631
2	COVER, CROSS ROD			0A-593026
3	ROD, CROSS 3/16 X 24-1/2"	STPCW		00-913102-00564
	ROD, CROSS 3/16 X 18-5/8"	STPC		0A-102936
3a	ROD, CROSS 3/16 X 21-1/2"	STPCW (SHORT) X RODS EVERY ROW		0A-102937
	ROD, CROSS 3/16 X 15-3/4"	STPC (SHORT) X RODS EVERY ROW		0A-105456
4	SPRING			0A-601191
5	LINK	2-1/2" CENTERS		0B-101015
6	ROD, BELT	STPCW		0A-102935
	ROD, BELT	STPC		0A-102934
7	ROLLER	UHMW PLASTIC		0A-591140
8	LINK, FLAT CELCON, MODIFIED	2-1/2" CENTERS 3/4"		0A-595468
9	PLATE, BELT TRAY			0A-105492
10	ROD, BELT TRAY 3/8 X 24-3/8"	STPCW / STBUW		0A-105481
	ROD, BELT TRAY 3/8 X 18-3/8"	STPC		0A-105534
	NOTE: CROSS RODS USE 1/16 X 3/8" COTTER PINS AND #10 HEAVY S.S. FLAT WASHER	COTTER PIN WASHER		PC-005-01 WS-023-19
	NOTE: BELT RODS USE 3/32 X 1/2" COTTER PINS AND 1/4" S.S. FLAT WASHER	COTTER PIN WASHER		PC-005-07 05-670065
2 FOOT BELT SECTIONS AVAILABLE				
TO ORDER A COMPLETE BELT FOR THE MACHINE, CALL WITH SERIAL NUMBER FOR THE NUMBER OF SECTIONS NEEDED				
	BELT SECTION - NO CROSS RODS			05-0BELT1
	BELT SECTION - CROSS RODS EVERY 4TH ROW	STANDARD BELT		05-0BELT2
	BELT SECTION - CROSS RODS EVERY OTHER ROW			05-0BELT3
	BELT SECTION - CROSS RODS EVERY ROW			05-0BELT4

*** TO ORDER, SUPPLY MACHINE MODEL AND SERIAL NUMBER**

STAINLESS STEEL BELT



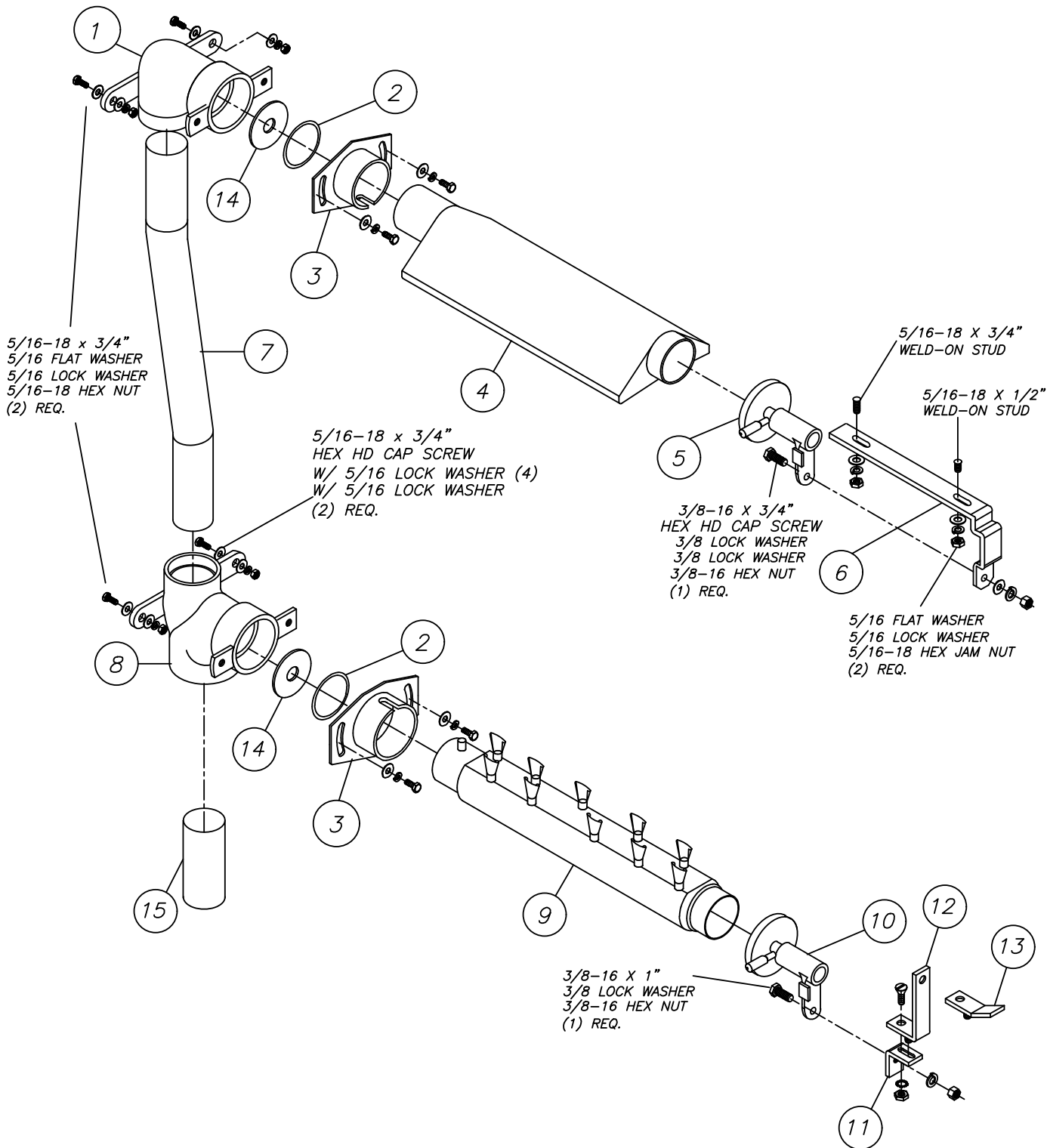
OPTION:
TRAY COMPARTMENT

STAINLESS STEEL BELT

ITEM	DESCRIPTION	REMARKS	QTY	PART#
1	PEG LINK 3.5 S.S. SINGLE, FINISHED			0B-105710
2	ROD, BELT 1/4 X 30	STPCW/STBUW		0A-102935
	ROD, BELT SMASHED 1 END 1/4 X 30	PRISON PKG		0A-102935-0000A
	ROD, BELT 1/4 X 24-1/8	STPC		0A-102934
3	SPACER, CROSS ROD S/S 2-7/8			0A-101669
4	ROLLERS, BELT UHMW			0A-591140
5	ROD, CROSS 3/16 X 24-1/2	STPCW/STBUW		00-913102-00564
	ROD, CROSS 3/16 X 18-3/4	STPC		0A-102936
6	SPACER, BELT ROD S/S 2-3/4			0A-101670
7	SPRING, COMPRESSION SS BELT			0A-601190
8	LINK, CONNECTING 3.5 CTR S.S. BELT			0B-102144
9	PLATE, BELT TRAY END	TRAY BELT OPTION		0A-105492
10	ROD, BELT CRSS ROD TRY TYP	TRAY BELT OPTION		0A-105481
	NOTE: CROSS RODS USE 1/16 X 3/8" COTTER PINS AND #10 HEAVY S.S. FLAT WASHER	COTTER PIN WASHER		PC-005-01 WS-023-19
	NOTE: BELT RODS USE 3/32 X 1/2" COTTER PINS AND 1/4" S.S. FLAT WASHER	COTTER PIN WASHER		PC-005-07 05-670065

* TO ORDER, SUPPLY MACHINE MODEL AND SERIAL NUMBER

32" & 36" SCRAPER SPRAY ASSEMBLY

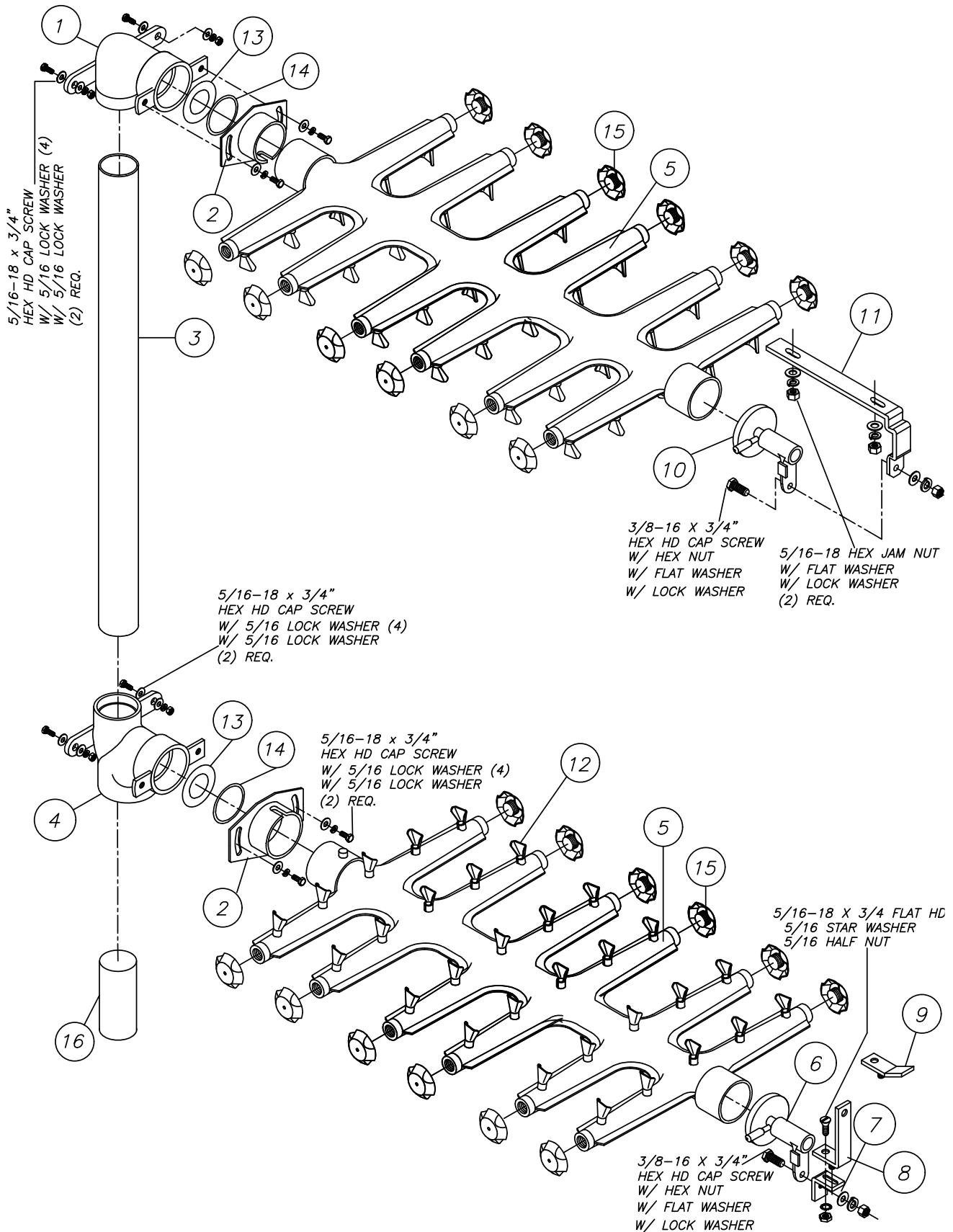


32" & 36" SCRAPER SPRAY ASSEMBLY

ITEM	DESCRIPTION	REMARKS	QTY	PART#
1	ELBOW, SUPPLY MANIFOLD			0P-446452
2	O RING #228 VITON MANFLD ADAPT			0P-572519
3	ADAPTOR, MANIFOLD WASH RINSE SCRPR*			0B-102250
4	MANIFOLD, 22 SPRAY UPPER SCRAPER	STPCW		0C-101074
	MANIFOLD, 22 SPRAY UPPER SCRAPER	STPC		0C-101082
5	ASSEMBLY, QUICK RELEASE MANIFOLD TOP			0B-106355
6	BRACKET, MANIFOLD QUICK RELEASE TOP			0A-106429
7	STANDPIPE, SCRAPER SIDE PUMP STPC/STPCW	*		0A-101428
	STANDPIPE, SCRAPER REAR PUMP STPC/STPCW	*		0A-104808
8	TEE COMBO SUPPLY MANIFOLD			0P-446451
9	MANIFOLD, 11 SPRAY LOWER SCRAPER	STPC		0B-102926
	MANIFOLD, 11 SPRAY LOWER SCRAPER	STPCW		0B-102927
10	ASSEMBLY, QUICK RELEASE MANIFOLD BOTTOM			0B-106355
11	BRACKET, LOWER MANIFOLD CLAMP SUPPORT			0A-103021
12	BRACKET, QUICK RELEASE TRACK STIFFNER	SIDE PUMP		0A-106909
13	BRACKET, QUICK RELEASE TRACK STIFFNER	REAR PUMP		0A-103590
14	RESTRICTOR, FLOW SPRAY MANIFOLD 1"	LESS THAN 20 SPRAYERS		0A-102253
	RESTRICTOR, FLOW SPRAY MANIFOLD 1-1/4"	MORE THAN 20 SPRAYERS		0A-102255
15	RISER, CROSSOVER TUBE	SIDE PUMP		0B-106888

* TO ORDER, SUPPLY MACHINE MODEL AND SERIAL NUMBER

44" SCRAPPER, 44" OR 54" WASH/RINSE SPRAY ASSEMBLY



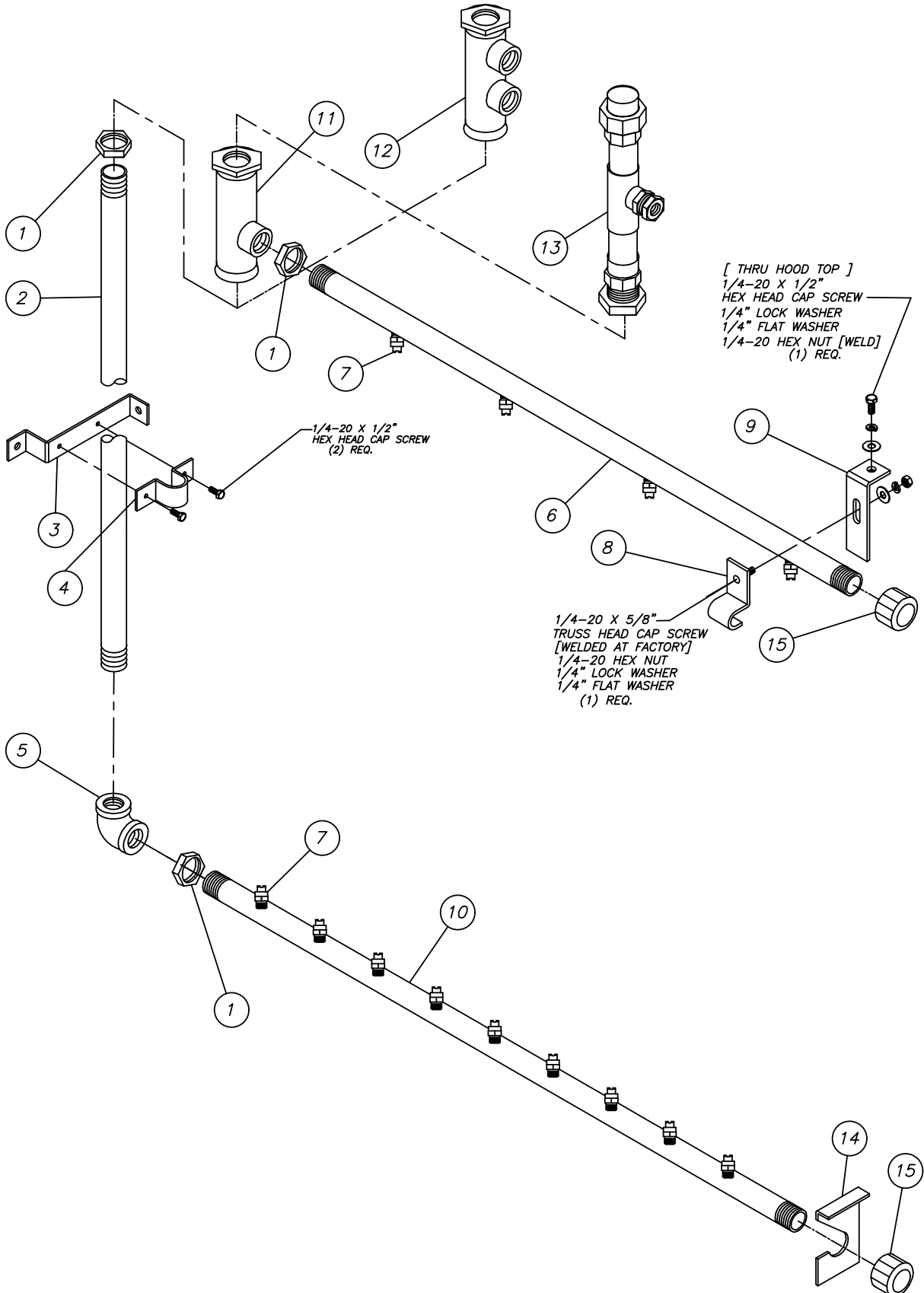
44" SCRAPPER, 44" OR 54" WASH/RINSE SPRAY ASSEMBLY

ITEM	DESCRIPTION	REMARKS	QTY	PART#
1	ELBOW, SUPPLY MANIFOLD			0P-446452
2	ADAPTER, MANIFOLD			0B-102250
3	STANDPIPE, STPCW 2IN OD	25-15/16" STPCW		0A-102940
	STANDPIPE, STPC 2IN OD	20 " STPC		0A-102929
	STANDPIPE, STBUW 2" OD	33-15/16" STBUW		0B-102941
4	TEE, COMBO SUPPLY MANIFOLD			0P-446451
5	MANIFOLD, 35 SPRAYER	STPCW/STBUW		0C-105535
	MANIFOLD, 25 SPRAYER	STPC		0C-105453
6	ASSEMBLY, QUICK RELEASE MANIFOLD BOTTOM			0B-106355
7	BRACKET, LOWER MANIFOLD CLAMP SUPPORT			0A-103021
8	BRACKET, QUICK RELEASE TRACK STIFFNER	SIDE PUMP		0A-106909
9	BRACKET, QUICK RELEASE TRACK STIFFNER	REAR PUMP		0A-103590
10	ASSEMBLY, QUICK RELEASE MANIFOLD TOP			0B-106355
11	BRACKET, MANIFOLD QUICK RELEASE TOP			0A-106429
12	NOZZLES, MANIFOLD CENTER FEED FANT YPE			0A-431059
13	RESTRICTOR, FLOW SPRAY MANIFOLD 1-1/2"	MORE THAN 28 SPRAYERS		0A-102256
	RESTRICTOR, FLOW SPRAY MANIFOLD 1-1/4"	MORE THAN 20 SPRAYERS		0A-102255
14	O RINNG #228 VITON MANIFOLD ADAPTOR			0P-572519
15	ASSEMBLY, MANIFOLD CLEANOUT CAP			0A-103318
16	RISER, CROSSOVER TUBE	SIDE PUMP		0B-106888

* TO ORDER, SUPPLY MACHINE MODEL AND SERIAL NUMBER

HI TEMP FINAL RINSE

3 TANK ER 58 GPH



HI TEMP FINAL RINSE

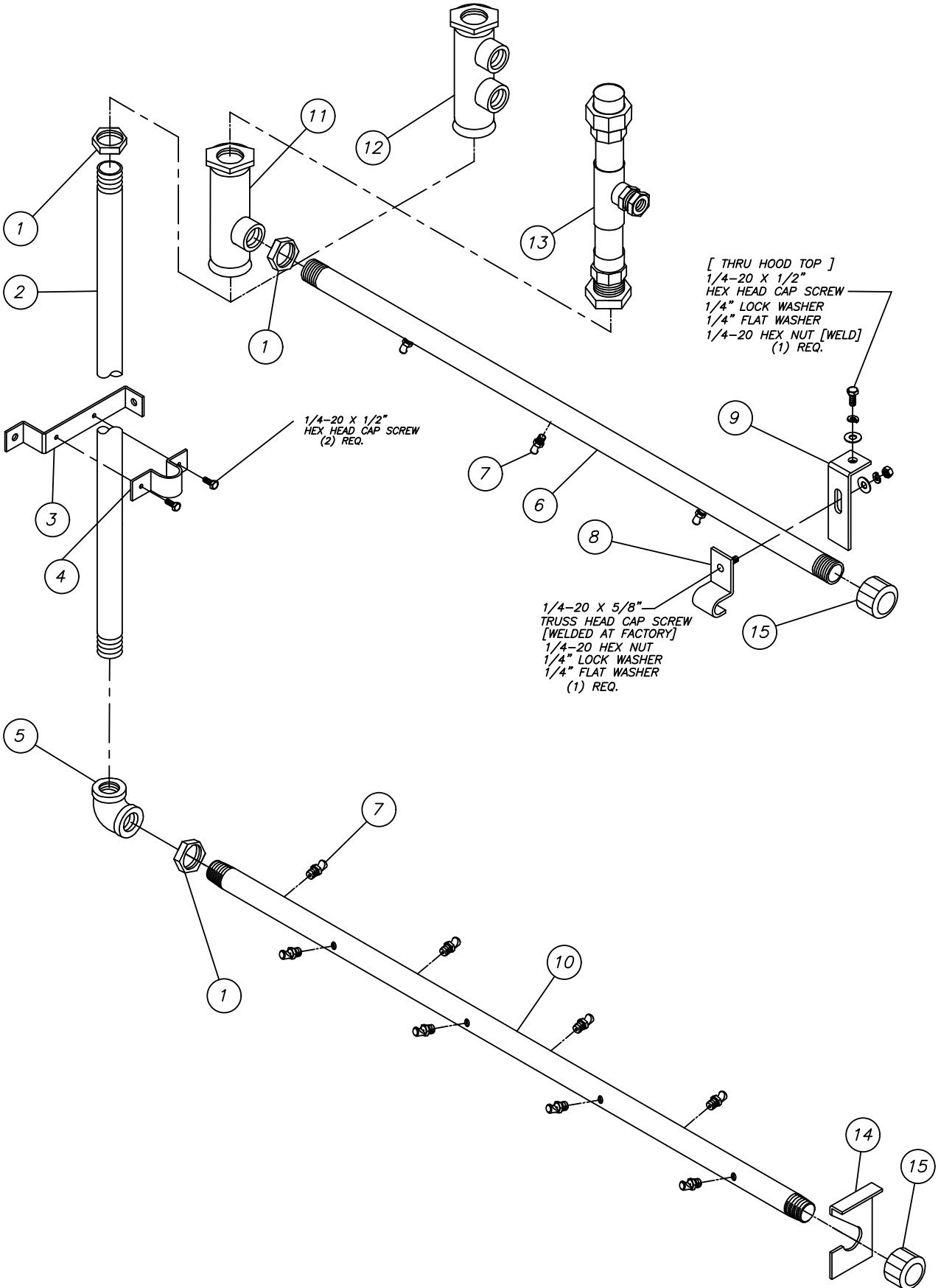
3 TANK ER 58 GPH

ITEM	DESCRIPTION	REMARKS	QTY	PART#
1	NUT, 1/2" LOCK - S.S.			0A-101446
2	STANDPIPE RNS STPCW 25-1/2 LG	STPCW		0A-102961
3	BRACKET, REAR LOWER RISER PIPE			0A-103249
4	CLAMP, PIPE 1/2" PIPE			0A-102141
5	ELBOW, STANDPIPE			0P-681887
6	PIPE, UPPER FINAL RINSE, 4 SPRAYER 29 1/2"-STPCW-ER 3 TANK	ER 58 GPH		0B-107049
7	SPRAY JET 316SS 1/8" NPT 65 DEGREE .1 GPM	ER 58 GPH		0A-507050
8	CLAMP PIPE BRCKT 3/4			0A-102021
9	BRCKT SPRAY PIPE			0A-103670
10	PIPE, LOWER FINAL RINSE, 9 SPRAYER 31"-STPCW-ER 3 TANK	ER 58 GPH		0B-107048
11	TEE, NEW STY FINAL RINSE UPPER ASSY			0A-104547
12	TEE, FINAL RINSE UPPER ASSY	PRISON & OLD STYLE		0A-101301
13	TOWER, FINAL RINSE HI TEMP			0A-104564
14	BRACKET, RINSE PIPE LOWER TRACK END	WELD-ON		0A-103250
15	END CAP			0P-681293

* TO ORDER, SUPPLY MACHINE MODEL AND SERIAL NUMBER

HI TEMP FINAL RINSE

3 or 4 TANK ER 102 GPH



HI TEMP FINAL RINSE

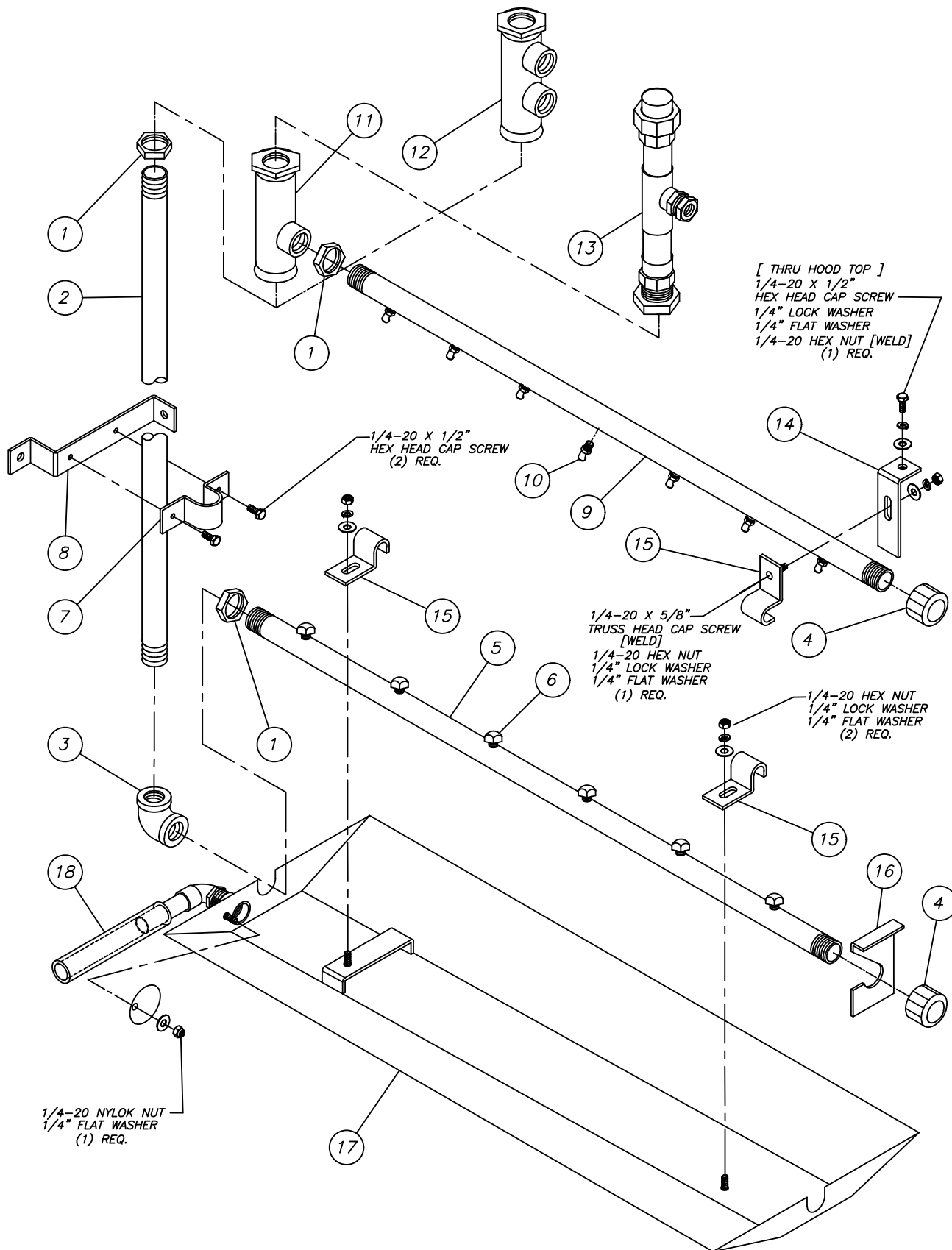
3 or 4 TANK ER 102 GPH

ITEM	DESCRIPTION	REMARKS	QTY	PART#
1	NUT, 1/2" LOCK - S.S.			0A-101446
2	STANDPIPE, FINAL RINSE 25-1/2" LONG			0A-102961
3	BRACKET, REAR LOWER RISER PIPE			0A-103249
4	CLAMP, PIPE 1/2" PIPE			0A-102141
5	ELBOW, STANDPIPE			0P-681887
6	PIPE FNL RNS 29-1/2" 3 HOLE TOP			0A-106593
7	SPRAY JET.040 SS FAN TYPE			0A-106410
8	CLAMP, PIPE BRACKET 3/4"			0A-102021
9	BRACKET, SPRAY PIPE			0A-103670
10	PIPE FNL RNS 31" 8 HOLE BOTTOM			0A-106594
11	TEE, NEW STYLE FINAL RINSE UPPER ASSY			0A-104547
12	TEE, FINAL RINSE UPPER ASSY	PRISON & OLD STYLE		0A-101301
13	TOWER, FINAL RINSE HI TEMP			0A-104564
14	BRACKET, RINSE PIPE LOWER TRACK END			0A-103250
15	END CAP			0P-681293

* TO ORDER, SUPPLY MACHINE MODEL AND SERIAL NUMBER

HI TEMP FINAL RINSE

[NON ER MACHINES] STPCW / STPC / STBUW



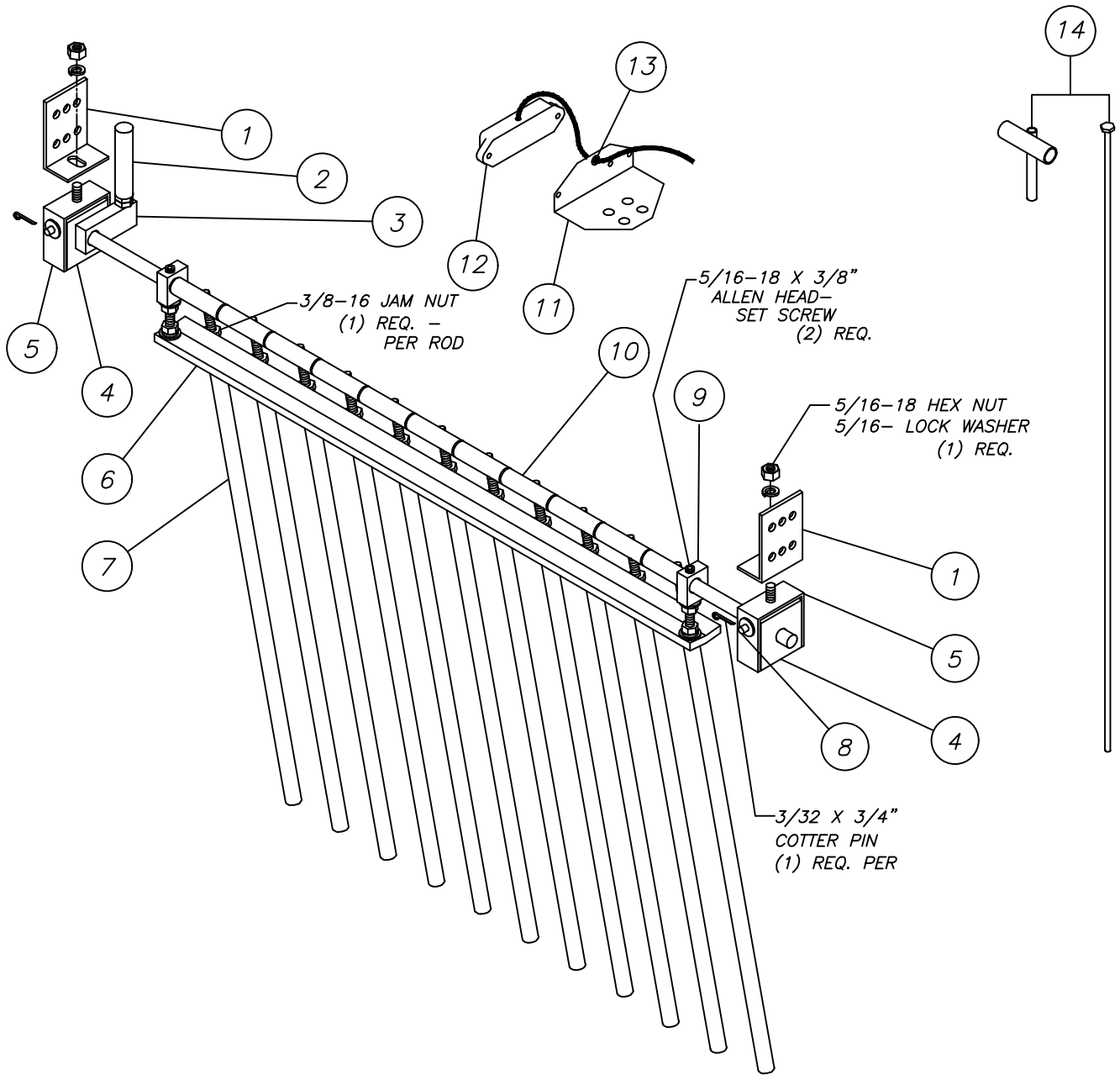
HI TEMP FINAL RINSE

[NON ER MACHINES] STPCW / STPC / STBUW

ITEM	DESCRIPTION	REMARKS	QTY	PART#
1	NUT, 1/2" LOCK - S.S.			0A-101446
2	STANDPIPE, RINSE 25-1/2" LONG	STPCW		0A-102961
	STANDPIPE, RINSE 32" LONG	STBUW		0A-102962
	STANDPIPE, RINSE 21-1/2" LONG	STPC		0A-102960
3	ELBOW, STANDPIPE			0P-681887
4	CAP, END			0P-681293
5	PIPE, LOWER SPRAY, 6 SPRAYER 31"	STPCW/STBUW		0B-101608
	PIPE, LOWER SPRAY, 5 SPRAYER 24-1/2"	STPC		0B-101607
6	JETS, SPRAY .090 SS SLOTTED 336 GPH	STPCW	6	0A-501163
	JETS, SPRAY .120 SS SLOTTED 390 GPH	STBUW	6	0A-502295
	JETS, SPRAY .090 SS SLOTTED 276 GPH	STPC	5	0A-501163
7	BRACKET, CLAMP			0A-102141
8	BRACKET, STANDPIPE			0A-103249
9	PIPE, UPPER SPRAY, 7 SPRAYER 29-1/2"	STPCW/STBUW		0B-101606
	PIPE, UPPER SPRAY, 6 SPRAYER 23-1/2"	STPC		0B-101605
10	JETS, SPRAY .063 SS FAN TYPE 336/390 GPH	STPCW/STBUW	7	0B-501173
	JETS, SPRAY .063 SS FAN TYPE 276 GPH	STPC	6	0B-501173
11	TEE, NEW STYLE FINAL RINSE UPPER ASSY			0A-104547
12	TEE, FINAL RINSE UPPER ASSY	PRISON & OLD STYLE		0A-101301
13	TOWER, FINAL RINSE HI TEMP			0A-104564
14	BRACKET, SPRAY PIPE			0A-103670
15	BRACKET, CLAMP PIPE			0A-102021
16	BRACKET, RINSE PIPE LOWER TRACK END	WELD ON		0A-103250
17	PAN, RINSE SAVER	STPCW		0C-105554
	PAN, RINSE SAVER	STPC		0C-105556
18	TUBE, RINSE SAVER CARRY OVER			0A-107006

* TO ORDER, SUPPLY MACHINE MODEL AND SERIAL NUMBER

RINSE RAKE ASSEMBLY

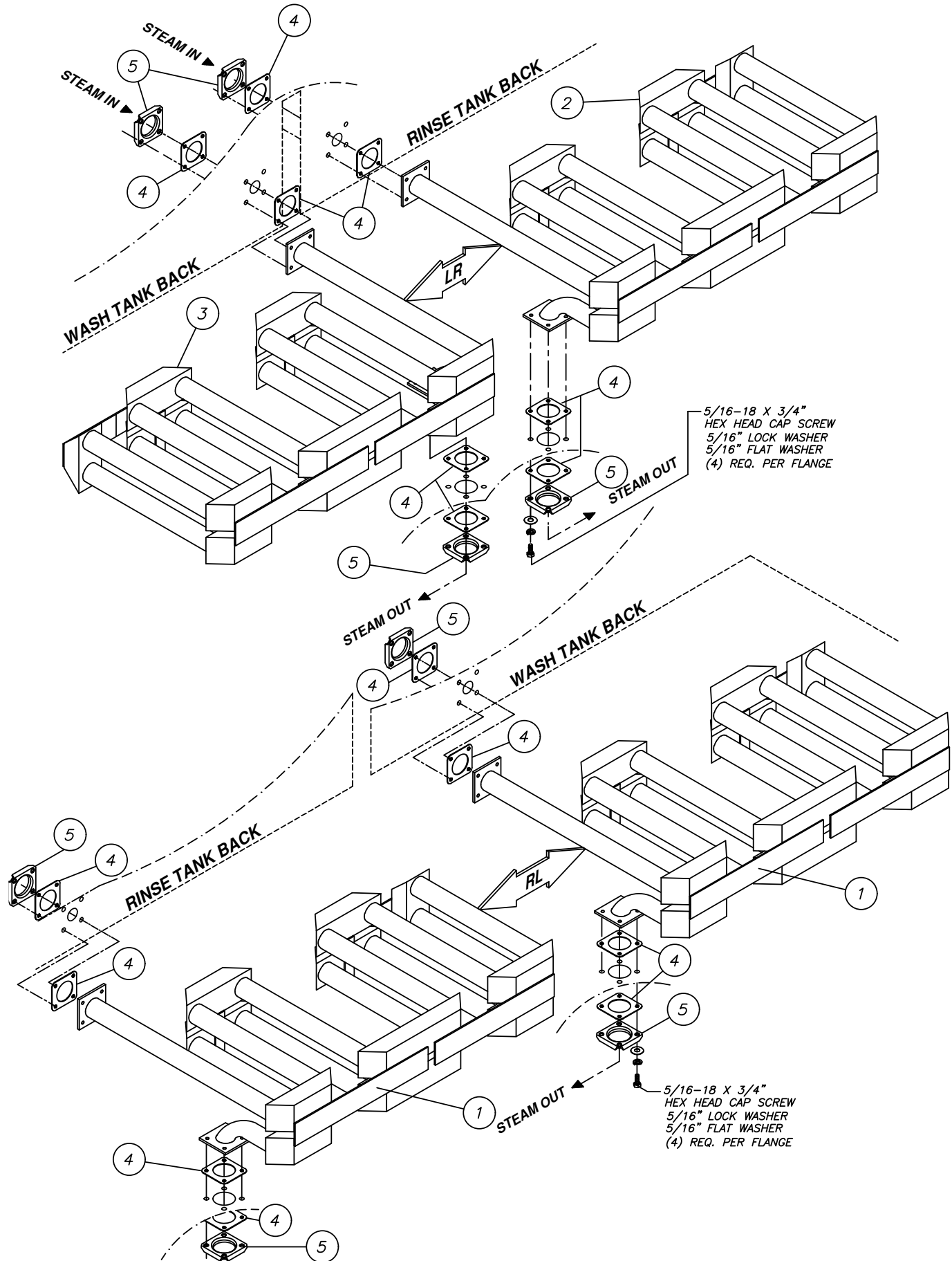


RINSE RAKE ASSEMBLY

ITEM	DESCRIPTION	REMARKS	QTY	PART#
1	BRACKET, BEARING BLOCK YOKE			0B-101677
2	ASSEMBLY, MAGNET HOUSING			0A-101585
3	SUPPORT, CROSS SHAFT FINGER	STPCW/STBUW		0B-101667
	SUPPORT, CROSS SHAFT FINGER	STPC/STBU		0B-101668
4	BLOCK, RAKE BEARING			0B-591203
5	YOKE, BEARING BLOCK			0A-101675
6	BUMPER, RINSE RAKE FINGER			0B-101663
7	FINGER, RINSE RAKE 19-1/4"	STPCW		0A-103242
	FINGER, RINSE RAKE 26-1/2"	STBUW		0A-103241
	FINGER, RINSE RAKE 15-1/4"	STPC		0A-103243
8	PIN, BEARING BLOCK YOKE			0A-101676
9	WEIGHT, PILLOW BLOCK COUNTER			0A-101665
10	PIVOT, RINSE RAKE FINGER ASSEMBLY			0A-104825
11	BRACKET, REED SWITCH MOUNTING			0A-104273
12	SWITCH, REED			0B-104274
13	GROMMET			0P-572516
14	FINGER, RINSE RAKE PRISON	WELDED		0A-103242-0000A
	ASSEMBLY, COMPLETE, LEFT TO RIGHT	STPCW		0C-104815-000LR
	ASSEMBLY, COMPLETE, RIGHT TO LEFT	STPCW		0C-104815-000RL
	ASSEMBLY, COMPLETE, LEFT TO RIGHT	STBUW		0C-104949-000LR
	ASSEMBLY, COMPLETE, RIGHT TO LEFT	STBUW		0C-104949-000RL
	ASSEMBLY, COMPLETE, LEFT TO RIGHT	STPC		0C-104948-000LR
	ASSEMBLY, COMPLETE, RIGHT TO LEFT	STPC		0C-104948-000RL
	NOTE : ASSEMBLY INCLUDES ITEMS 1-10			

* TO ORDER, SUPPLY MACHINE MODEL AND SERIAL NUMBER

STEAM COIL ASSEMBLY REAR PUMP



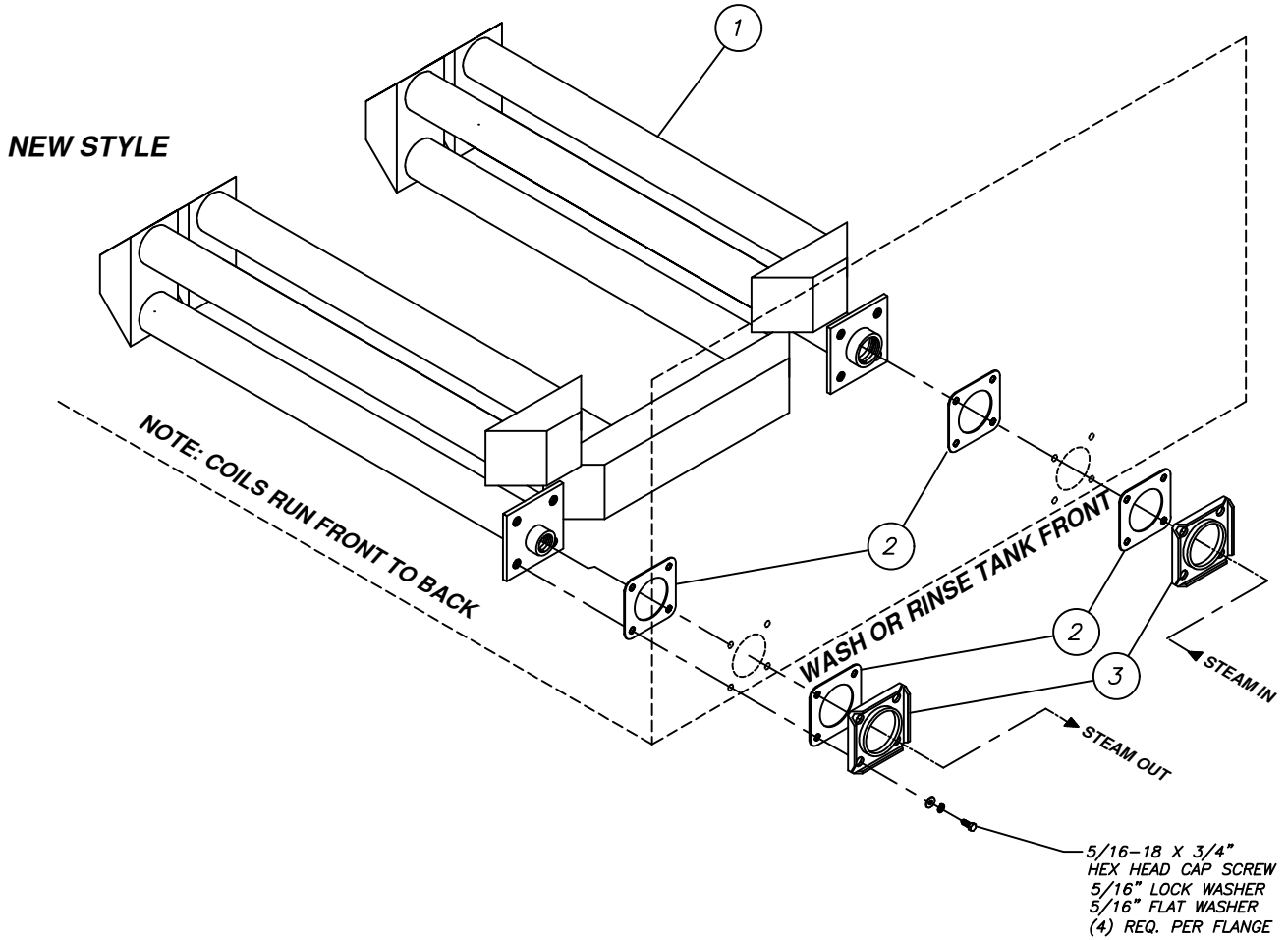
STEAM COIL ASSEMBLY REAR PUMP

ITEM	DESCRIPTION	REMARKS	QTY	PART#
1	STEAM COIL ASSY NEW REAR PMP 44" STPCW *	R-L WASH/RINSE TANK & RINSE 1 ON A 4 TANK (HIGH PRESSURE)		*0A-105141
	STEAM COIL ASSY L/P REAR PMP 44" STPCW *	R-L WASH/RINSE TANK (LOW PRESSURE)		*0C-103136
	STEAM COIL ASSY NEW REAR PMP 44" STPC *	R-L WASH/RINSE TANK & RINSE 1 ON A 4 TANK (HIGH OR LOW PRESSURE)		*0B-103985
	STEAM COIL ASSY NEW REAR PMP 54" STPCW *	R-L WASH TANK (HIGH PRESSURE)		*0A-105140
	STEAM COIL ASSY NEW REAR PMP 54" STPCW *	R-L RINSE TANK (HIGH PRESSURE)		*0A-105083
2	STEAM COIL ASSY NEW REAR PMP 44" STPCW *	L-R RINSE TANK (HIGH PRESSURE)		*0A-105141
	STEAM COIL ASSY L/P REAR PMP 44" STPCW *	L-R RINSE TANK (LOW PRESSURE)		*0C-103136
	STEAM COIL ASSY NEW REAR PMP 44" STPC *	L-R RINSE TANK (HIGH OR LOW PRESSURE)		*0B-103985
	STEAM COIL ASSY NEW REAR PMP 54" STPCW *	L-R RINSE TANK (HIGH PRESSURE)		*0A-105140
3	STEAM COIL ASSY NEW REAR PMP 44" STPCW *	L-R WASH TANK (HIGH PRESSURE)		*0A-105082
	STEAM COIL ASSY L/P REAR PMP44" STPCW *	L-R WASH TANK (LOW PRESSURE)		*0C-103139
	STEAM COIL ASSY NEW REAR PMP 44" STPC *	L-R WASH TANK (HIGH OR LOW PRESSURE)		*0A-105084
	STEAM COIL ASSY NEW REAR PMP 54" STPCW *	L-R WASH TANK (HIGH PRESSURE)		*0B-104763
4	GASKET U FLANGE HEATER			0A-571114
5	FLANGE			0B-101505

* TO ORDER, SUPPLY MACHINE MODEL AND SERIAL NUMBER

STEAM COIL ASSEMBLY 44" TANK SIDE PUMP

NOTE: SHORTER THAN REAR ACCESS



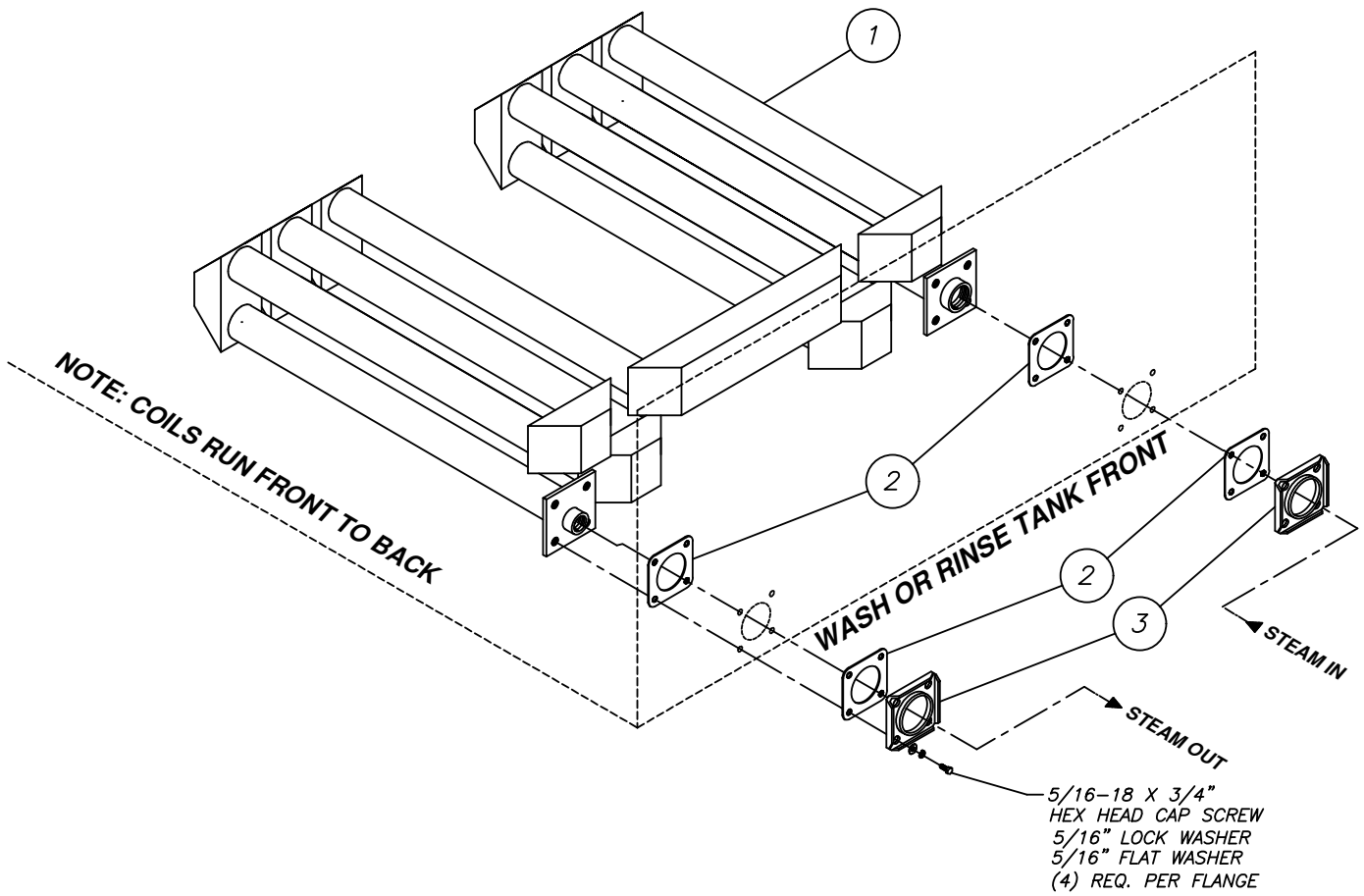
STEAM COIL ASSEMBLY 44" TANK SIDE PUMP

ITEM	DESCRIPTION	REMARKS	QTY	PART#
1	STEAM COIL ASSY SIDE PMP 44" *	L-R/ R-L TANK STPCW/STBUW (HIGH PRESSURE)		0A-105139
	STEAM COIL ASSY SIDE PMP 44" *	L-R/ R-L TANK STPC (HIGH PRESSURE)		0C-103987
	STEAM COIL ASSY SIDE PMP 44" *	L-R/ R-L TANK STPCW/STBUW (LOW PRESSURE)		0B-102327
	STEAM COIL ASSY SIDE PMP 44" *	L-R/ R-L TANK STPC (LOW PRESSURE)		0C-103987-000LP
2	GASKET, U FLANGE HEATER			0A-571114
3	FLANGE			0B-101505

* TO ORDER, SUPPLY MACHINE MODEL AND SERIAL NUMBER

STEAM COIL ASSEMBLY 54" TANK SIDE PUMP

NOTE: SHORTER THAN REAR ACCESS

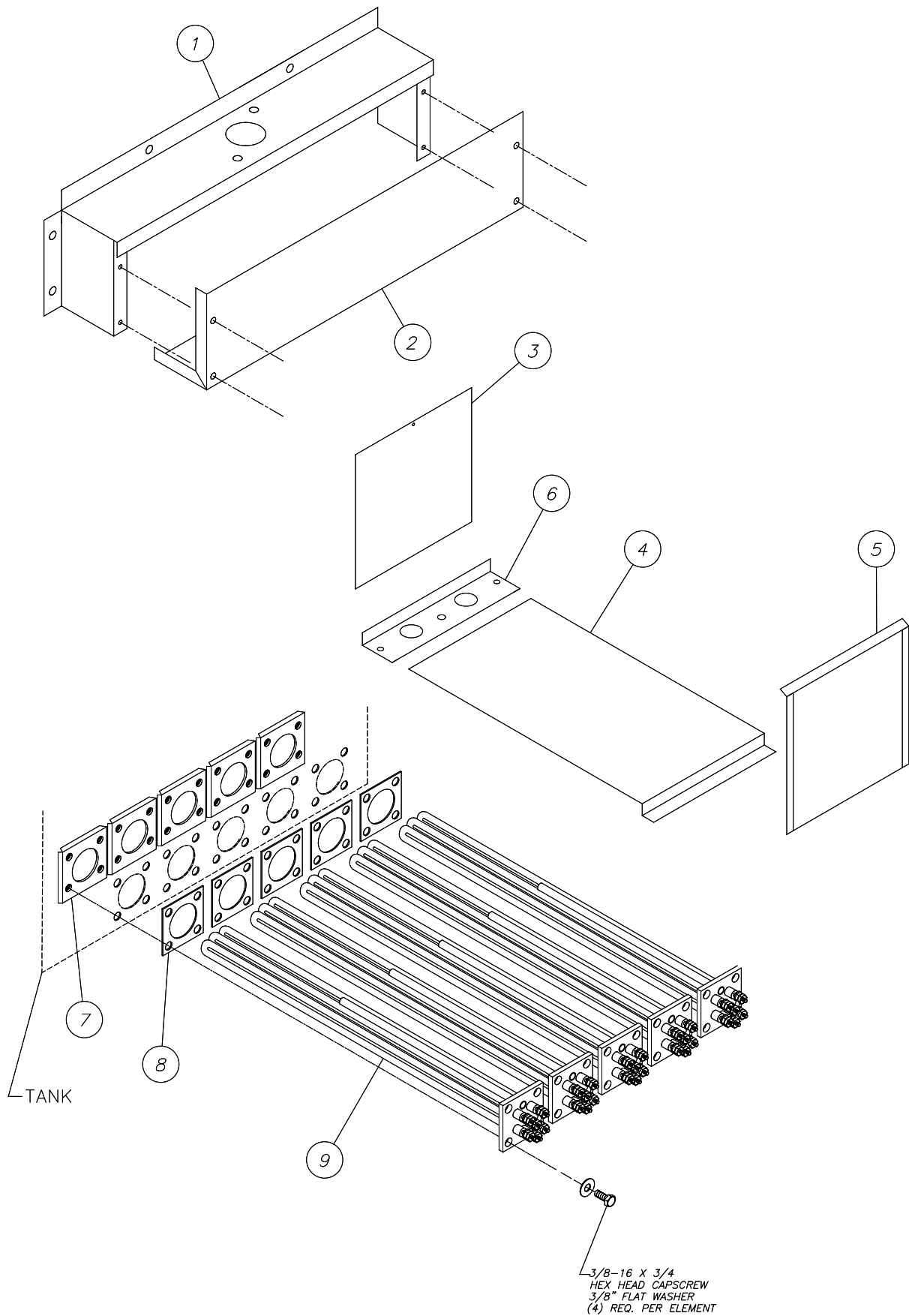


STEAM COIL ASSEMBLY 54" TANK SIDE PUMP

ITEM	DESCRIPTION	REMARKS	QTY	PART#
1	STEAM COIL ASSY SIDE PMP 54" *	L-R/ R-L TANK STPCW/STBUW (HIGH PRESSURE)		0A-105138
	STEAM COIL ASSY SIDE PMP 54" *	L-R/ R-L TANK STPCW/STBUW (LOW PRESSURE)		0B-102328
2	GASKET, U FLANGE HEATER			0A-571114
3	FLANGE			0B-101505

* TO ORDER, SUPPLY MACHINE MODEL AND SERIAL NUMBER

HEAT ENCLOSURE & ELEMENTS

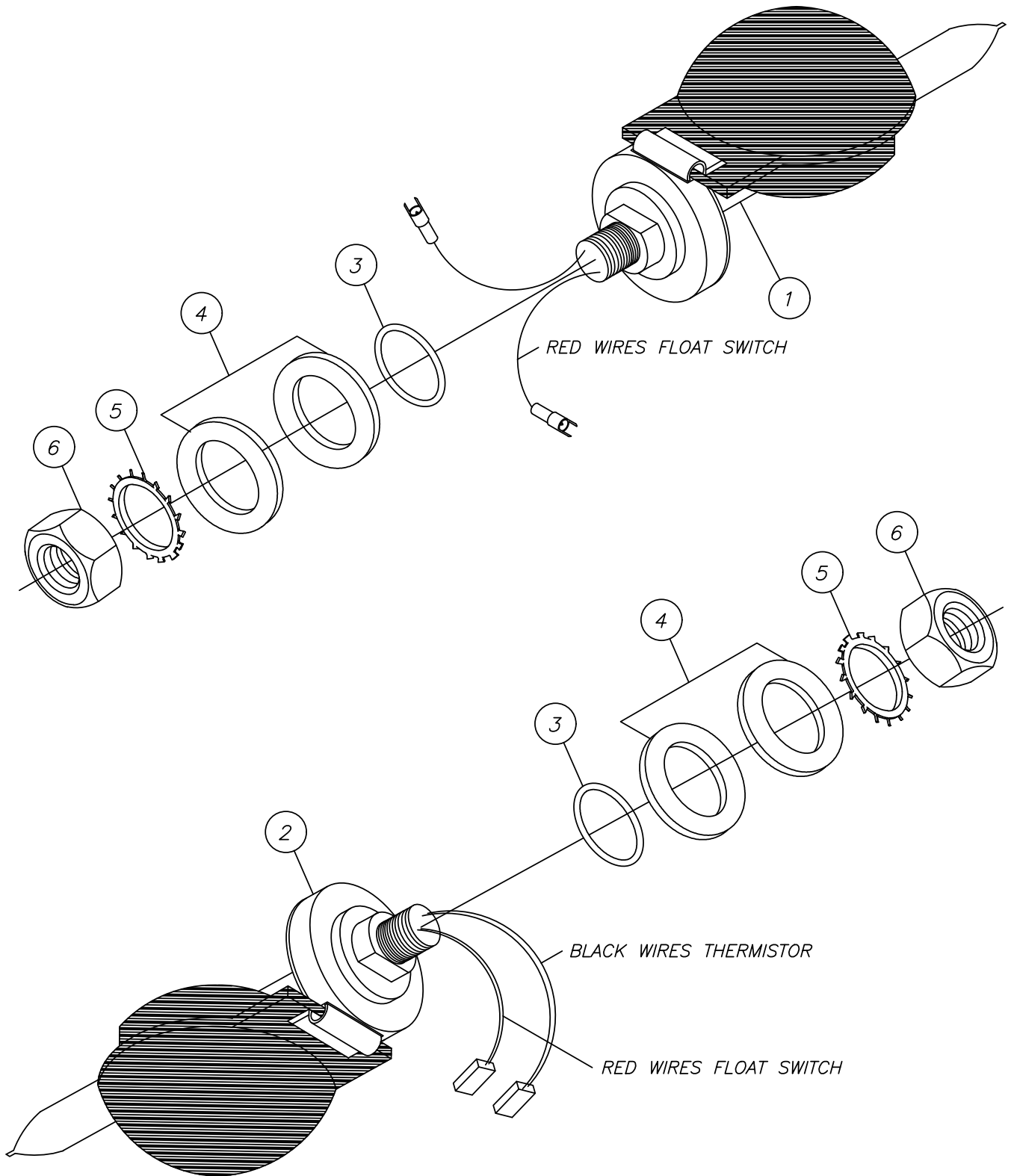


HEAT ENCLOSURE & ELEMENTS

ITEM	DESCRIPTION	REMARKS	QTY	PART#
1	TANK HEAT BOX 25 KW STPCW	SIDE PUMP		0A-106746
2	COVER TANK HEAT 25 KW STPCW	SIDE PUMP		0A-106747
3	COVR REAR STPCW ELECT TANK	REAR PUMP		0A-104960
4	PLATE BOTTM COVR STPCW ELECT T	REAR PUMP		0A-104958
5	PLATE FRNT COVR STPCW ELEC TAN	REAR PUMP		0A-104959
6	BRCKT TANK HEAT MNTG B/M	REAR PUMP		0A-105656
7	FLANGE HTG ELEM 1-3/4 DIA 2-			0B-101502
8	GASKET U FLANGE HEATER			0A-571114
9	HEATING ELEMENT 5KW 208V			0P-551131
	HEATING ELEMENT 5KW 480V			0P-551133

* TO ORDER, SUPPLY MACHINE MODEL AND SERIAL NUMBER

PARKER FLOATS

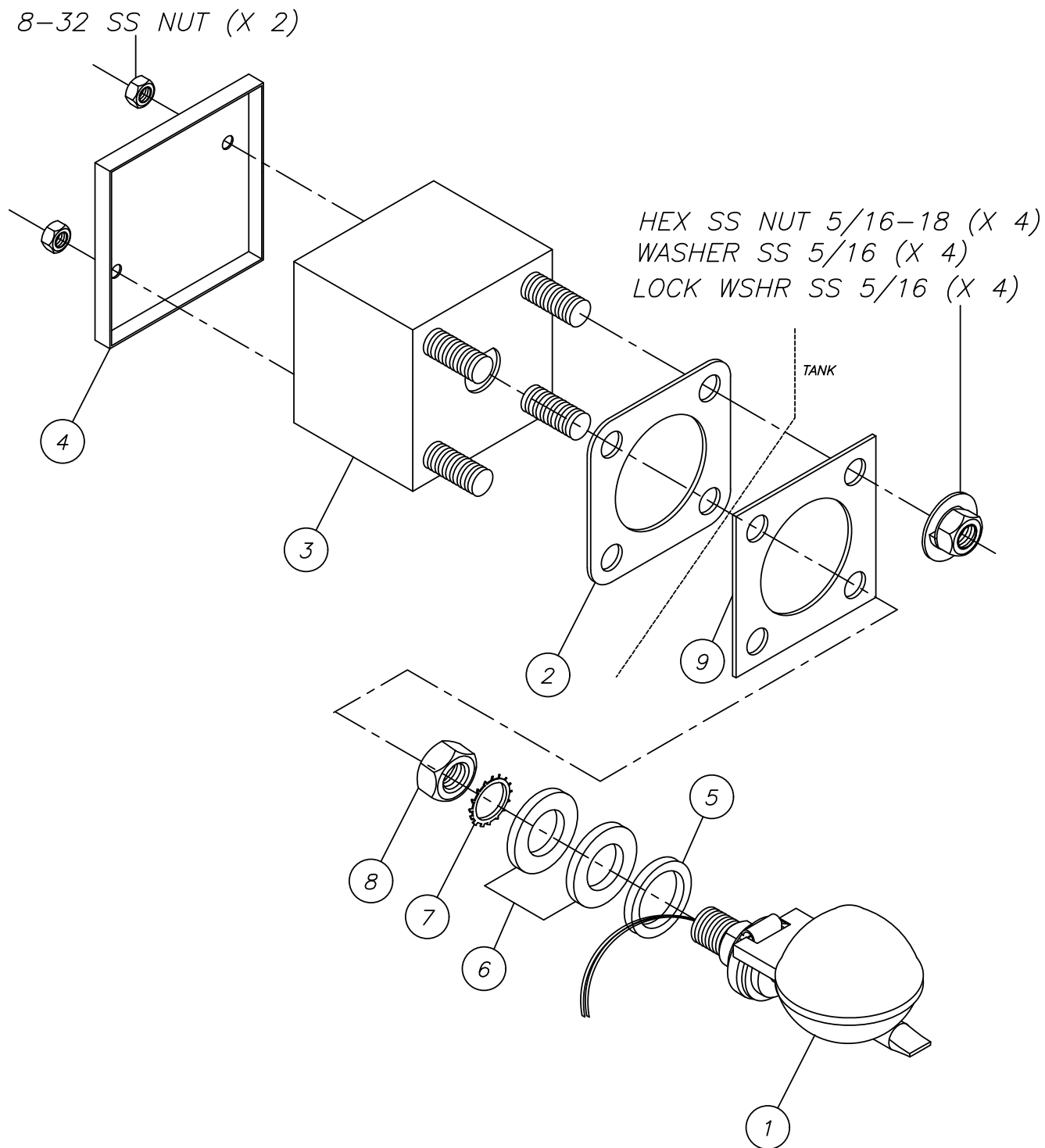


PARKER FLOATS

ITEM	DESCRIPTION	REMARKS	QTY	PART#
1	PROBE & FLOAT ASSY. W/O THERMISTOR (FILL FLOAT)	INCLUDES 3-6		0P-496988
2	PROBE & FLOAT ASSY. W/ THERMISTOR (LOW WATER FLOAT)	INCLUDES 3-6		0P-496987
3	"O" RING			0P-576990
4	WASHER			0P-676991
5	STAR WASHER			0P-676992
6	NUT			0P-676989
	FLOAT BALL ONLY			0C-108192

* TO ORDER, SUPPLY MACHINE MODEL AND SERIAL NUMBER

PARKER FLOAT ASSEMBLY

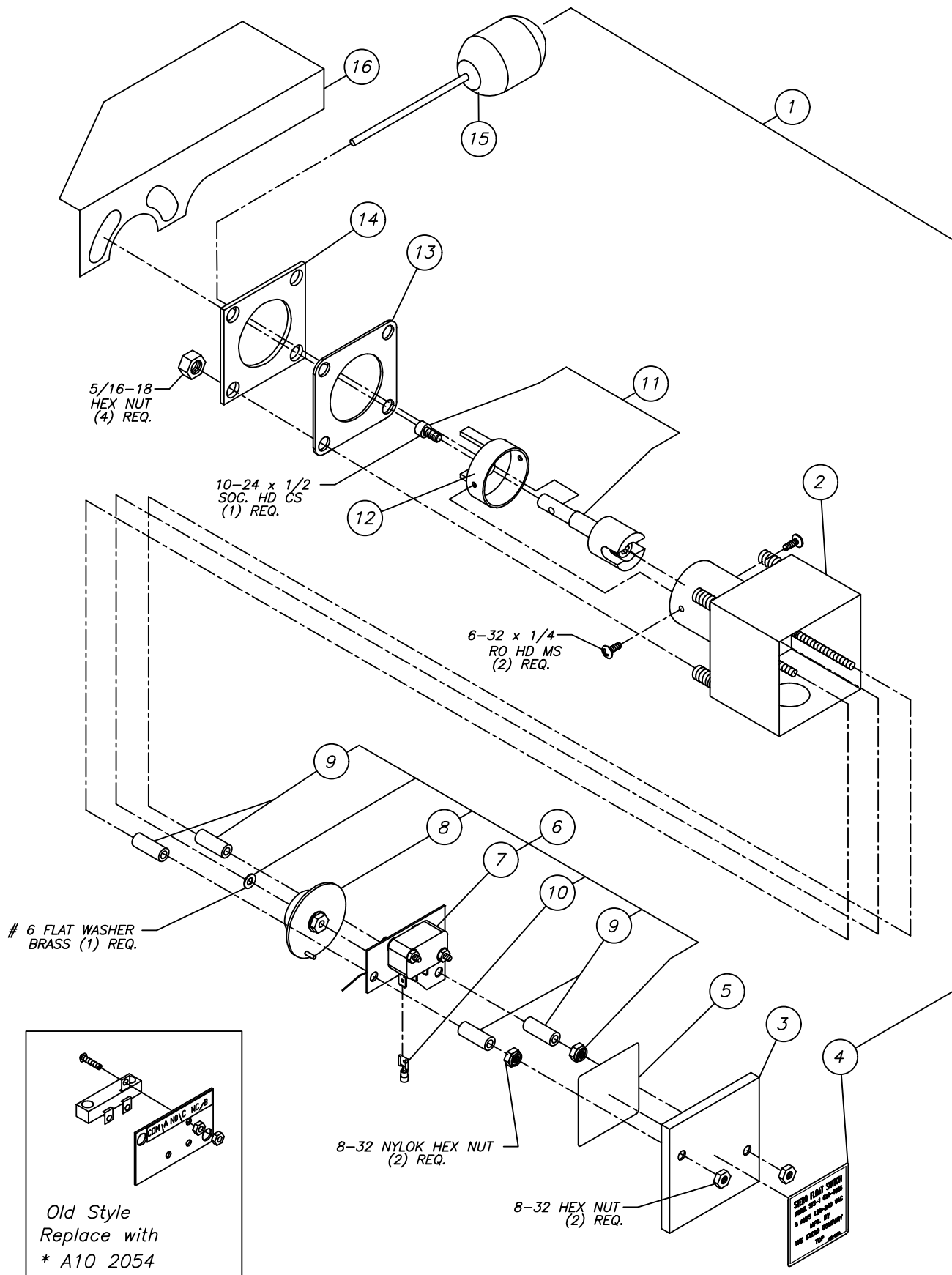


PARKER FLOAT ASSEMBLY

ITEM	DESCRIPTION	REMARKS	QTY	PART#
	FILL FLOAT ASSEMBLY	INCLUDES: 1a,2,3a & 4-9		0A-107017
	LOW WATER FLOAT ASSEMBLY	INCLUDES: 1b,2,3b & 4-9		0A-107018
1a	PROBE & FLOAT ASSY W/O THERMISTOR	FILL		0P-496988
1b	PROBE & FLOAT ASSY W/ THERMISTOR	LOW WATER		0P-496987
2	GASKET, "2840" FLOAT SWITCH MTG			0A-571419
3a	FLOAT SWITCH HOUSING ASSY	FILL		0A-107008
3b	FLOAT SWITCH HOUSING ASSY	LOW WATER		0A-107011
4	FLOAT SWITCH COVER			0A-101424
5	"O" RING		2	0P-576990
6	WASHER			0P-676991
7	STAR WASHER			0P-676992
8	NUT			0P-676989
9	FLANGE			0A-101418

* TO ORDER, SUPPLY MACHINE MODEL AND SERIAL NUMBER

STERO FLOAT SWITCH ASSEMBLY

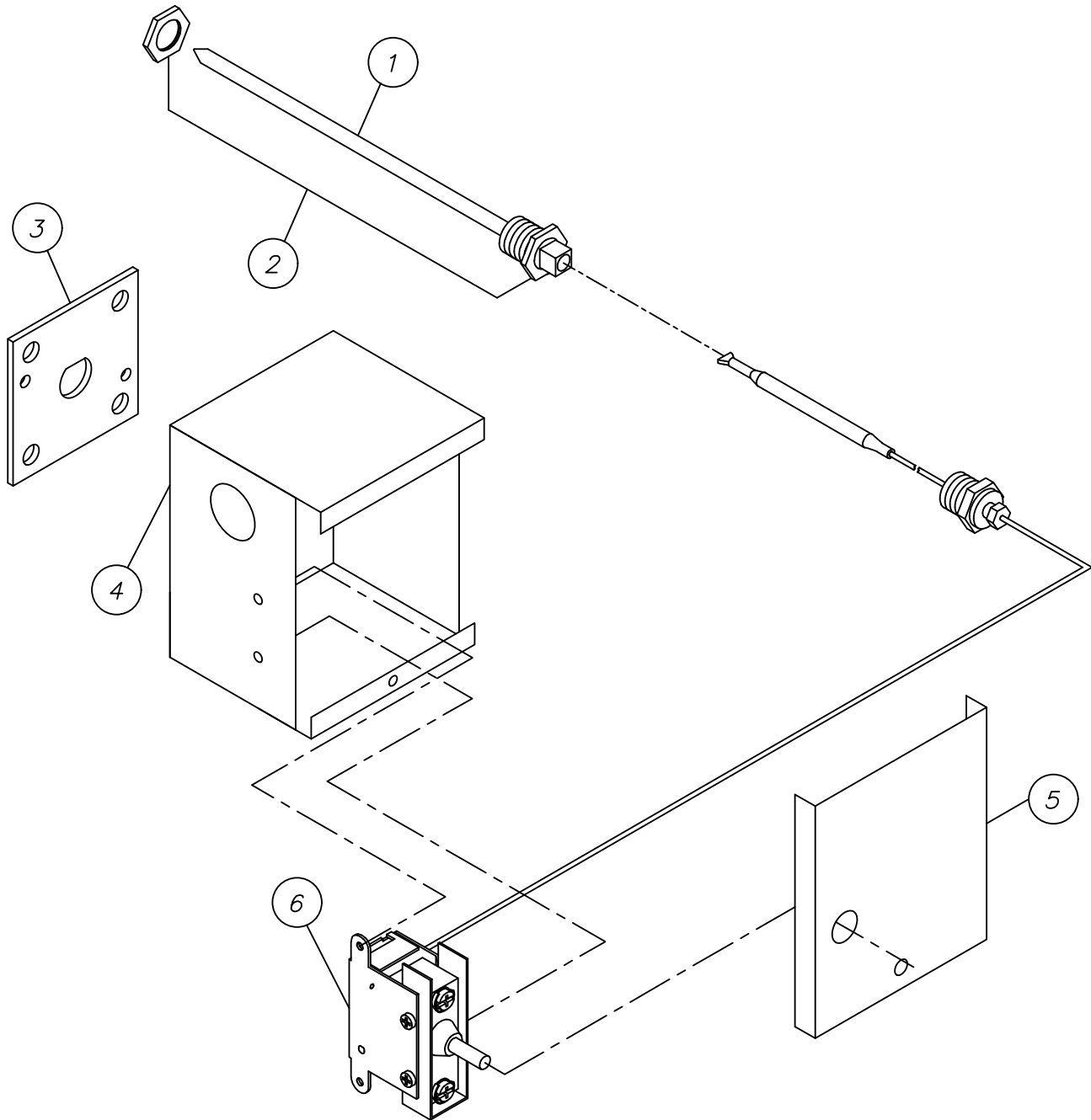


STERO FLOAT SWITCH ASSEMBLY

ITEM	DESCRIPTION	REMARKS	QTY	PART#
1	ASSEMBLY, FLOAT SWITCH COMPLETE	INCLUDES 2 THRU 15		0C-101005
2	ASSEMBLY, HOUSING	BOX		0B-101423
3	COVER, SWITCH BOX			0A-101424
4	DECAL, "STERO FLOAT SWITCH"	OUTER		0A-691954
5	DECAL, "SWITCH CONNECTIONS"	INNER		0A-695329
6	ASSEMBLY, MICRO SWITCH	INCLUDES 7 THRU 10		0A-102054
7	SWITCH, MICRO	ORDER 0A-102054		0P-491113
8	ASSEMBLY, MAGNET/DISK			0A-104484
9	SPACER, MICRO SWITCH MNTG PLATE	RED PLASTIC		0A-596341
10	TERMINAL, WIRE-FEMALE SLIP	WIRE CRIMP		0A-525181
11	ASSEMBLY, MAGNET/SHAFT			0A-104485
12	ASSEMBLY, FLOAT SWITCH MAGNET COVER/STOP			0A-101431
13	GASKET, FLOAT SWITCH MOUNTING			0A-571419
14	PLATE, FLOAT SWITCH MOUNTING			0A-101418
15	FLOAT. (BALL WITH SHAFT)			0A-101432
16	SHIELD, FLOAT GUARD			0B-102059

* TO ORDER, SUPPLY MACHINE MODEL AND SERIAL NUMBER

HI-LIMIT CUT-OFF



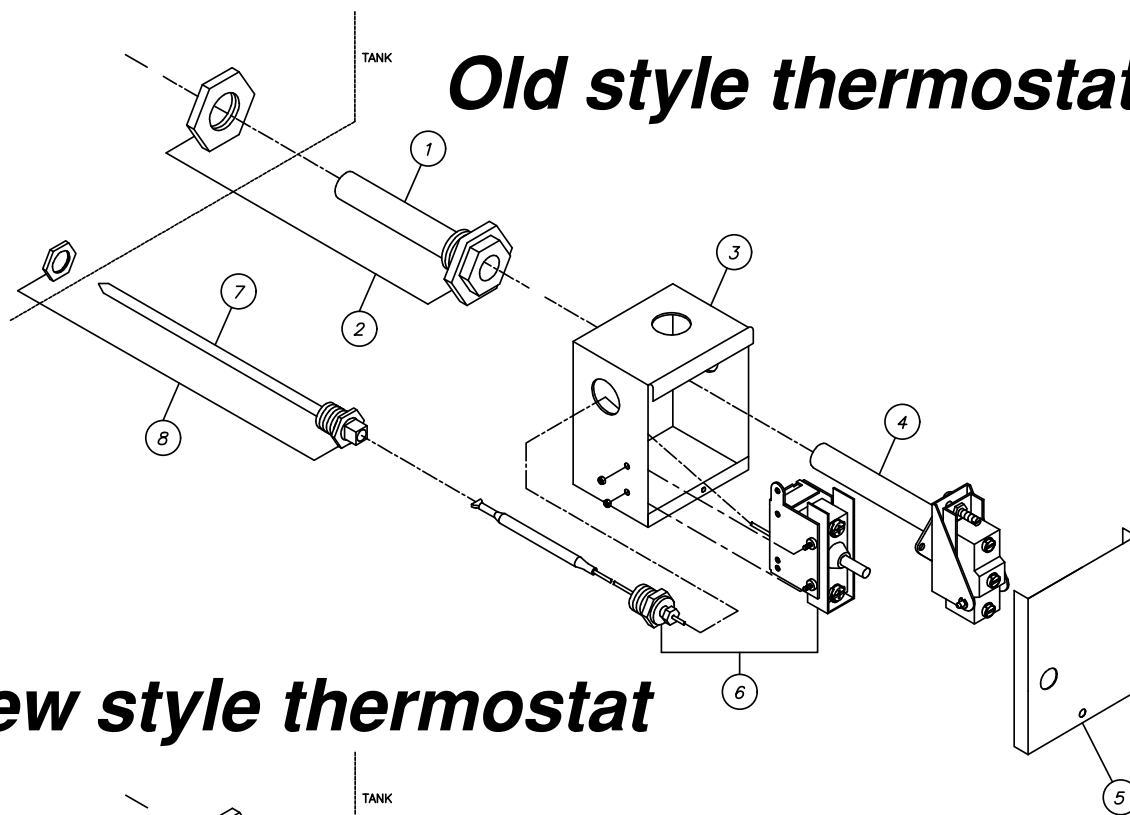
HI-LIMIT CUT-OFF

ITEM	DESCRIPTION	REMARKS	QTY	PART#
1	WELL HI-LIMIT THERMO ASSEMBLY			0A-105946
2	LOCKNUT 1/2 INCH NPT S/S			0A-101446
3	PLATE HOBART FLOAT SWITCH ADAPTOR			0A-106999
4	BOX THERMOSTATS ASSEMBLY			0A-104587
5	COVER THERMOSTAT BOX ASSY			0A-104588
6	HI-LIMIT CUT-OFF SWITCH 220 F			0P-655776

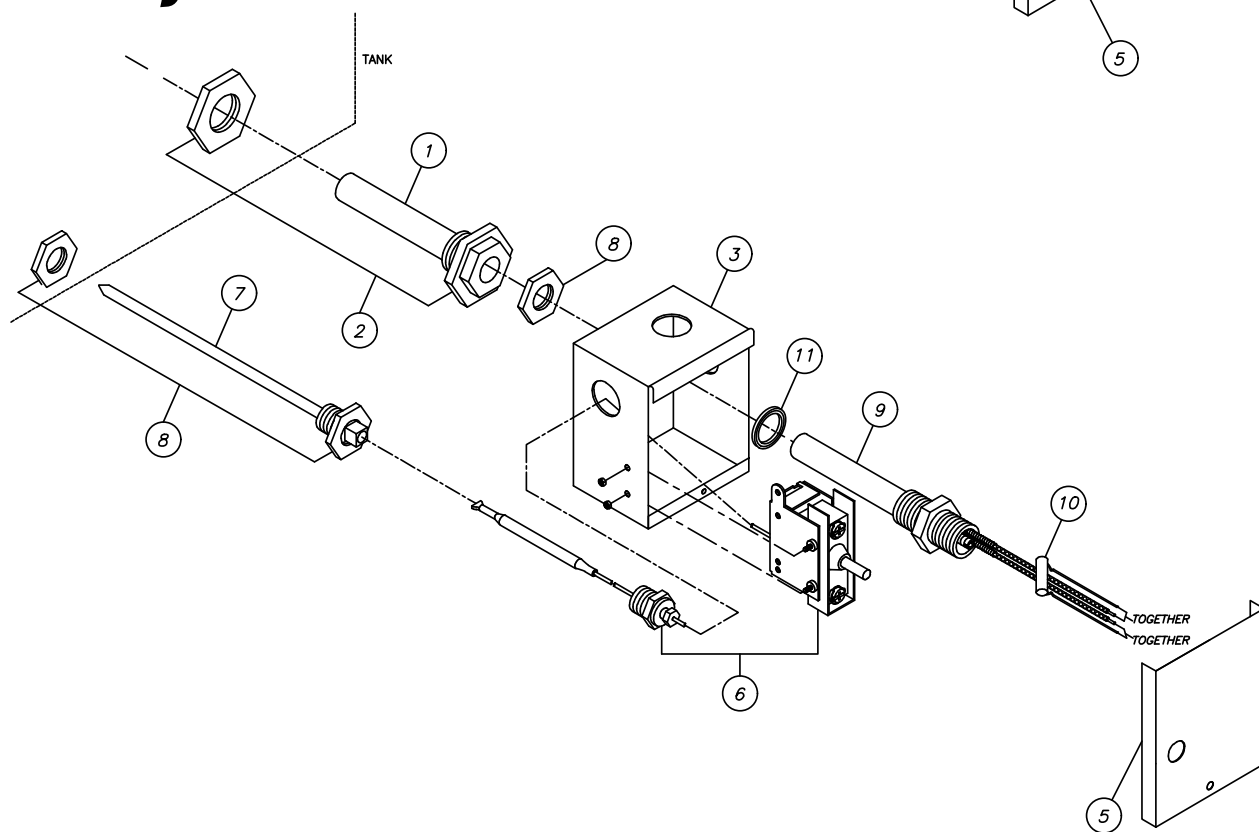
* TO ORDER, SUPPLY MACHINE MODEL AND SERIAL NUMBER

THERMOSTAT

Old style thermostat



New style thermostat

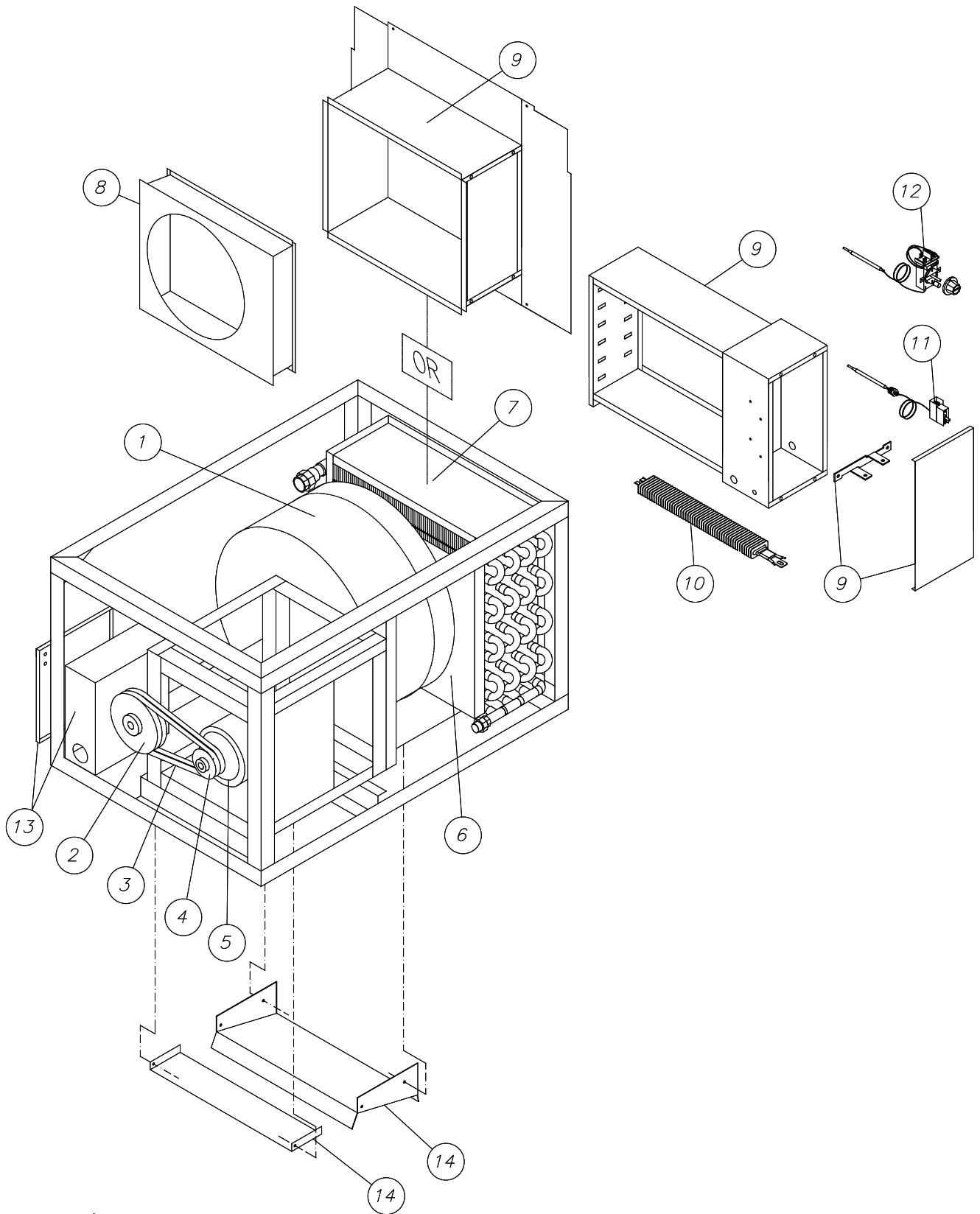


THERMOSTAT

ITEM	DESCRIPTION	REMARKS	QTY	PART#
1	HOUSING, BULB ASSEMBLY			0A-101858
2	LOCKNUT, 3/4"			0A-101859
3	BOX, HIGH LIMIT			0A-104587
4	THERMOSTAT, FENWAL	NLA		0P-651185
5	COVER, HI LIMIT 3-1/2" X 4-1/4"			0A-104588
6	SWITCH, HI-LIMIT CUTOFF TEMP			0P-655776
7	WELL, HI-LIMIT			0A-105946
8	LOCKNUT, 1/2"			0A-101446
9	THERMOSTAT, OPENS ON RISE	REPLACES 0P-651185		0P-651183
	THERMOSTAT, CLOSSES ON RISE	COLD WATER AQUASTAT		0P-651184
10	CAPACITOR, .001-600V	MUST USE WITH 0P-651183		0P-412462
11	WASHER, SEALING 1/2"			0P-521037

* TO ORDER, SUPPLY MACHINE MODEL AND SERIAL NUMBER

BLOWER UNIT ASSEMBLY



BLOWER UNIT ASSEMBLY

ITEM	DESCRIPTION	REMARKS	QTY	PART#
1	BLOWER LESS MOTOR 2C798			0P-411147
2	PULLEY, DUAL 7 X 1" BORE BLOWER			0P-662276
3	V-BELT, #380		2	0P-661288
4	PULLEY, ADJUSTABLE 3-1/2 X 7/8 BORE			0P-662279
5	MOTOR, BLOWER 2 HP 208/230/480V			0P-411719
6	ADAPTOR, BLOWER STEAM COIL			NLA
7	COIL, STEAM RADIATOR ASSEMBLY			0C-103100
8	ADAPTOR, BLOWER ELECTRIC			NLA
9	HOUSING, ELEC HEAT BLOWER			0B-104984
10	ELEMENT, HEATING 1.45KW 240V			0P-556259
11	HIGH-LIMIT CUT-OFF			0P-655776
12	THERMOSTAT, BLOWER			0P-656327
13	BOX, JUNCTION, BLOWER HEAT			0A-102844
14	DEFLECTOR, BLOWER INSIDE AIR			0A-103216

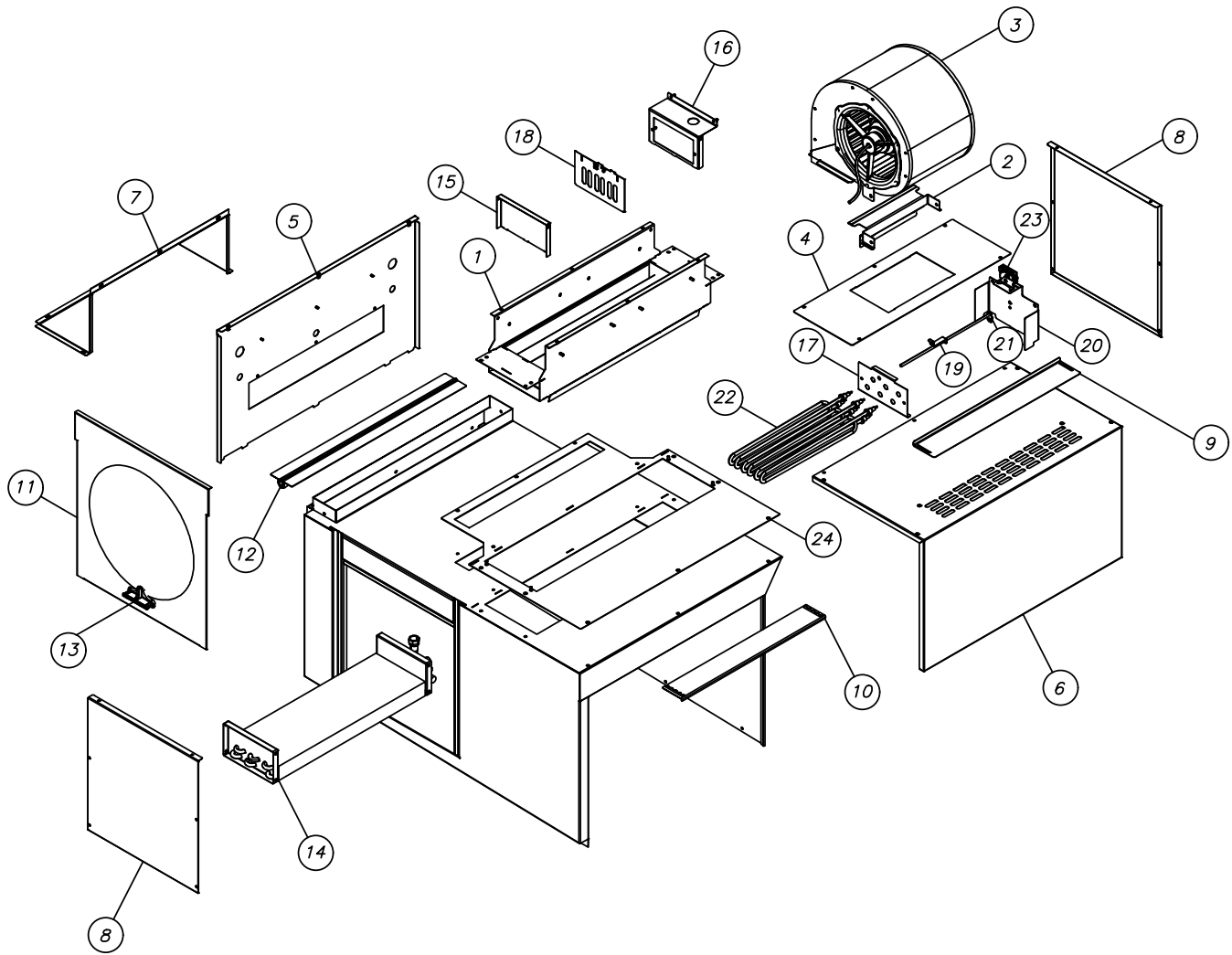
* TO ORDER, SUPPLY MACHINE MODEL AND SERIAL NUMBER

BLOWER UNIT PANEL ASSEMBLY

ITEM	DESCRIPTION	REMARKS	QTY	PART#
1	PANEL, BLOWER TOP			0B-103045
2	PANEL, BLOWER SIDE W/ HANDLE		2	0B-103044
3	HANDLE, STANDARD DOOR - PLASTIC			0B-591448
4	INTAKE ASSY BLOWER STEAM	*		*0B-103047
5	DAMPER, STPCW BLOWER INTAKE			0B-103050
6	PANEL, BLOWER MOTOR END	*		*0B-103048
7	DAMPER, BLOWER		2	0A-105151

* TO ORDER, SUPPLY MACHINE MODEL AND SERIAL NUMBER

NEW STERO BLOWER DRYER

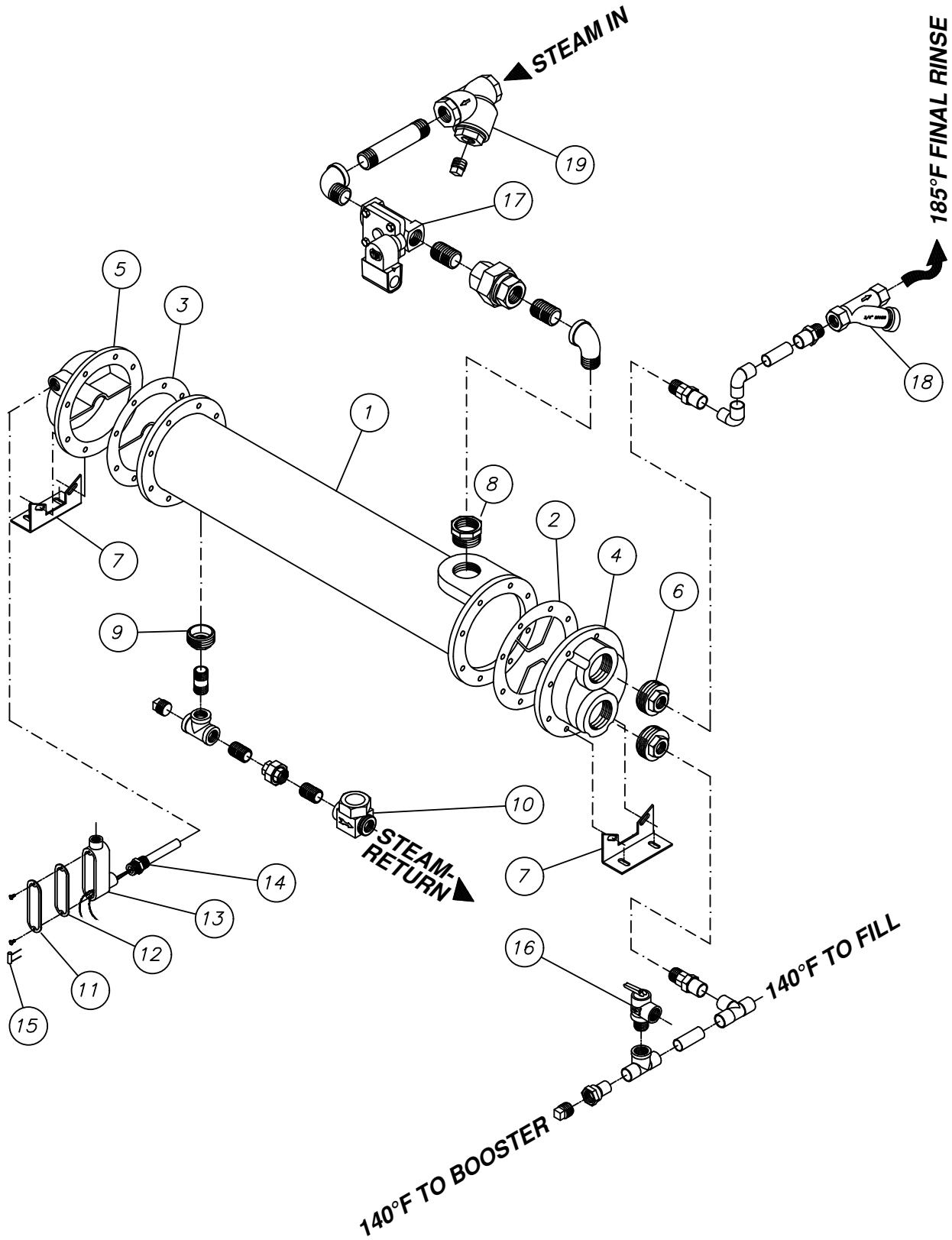


NEW STERO BLOWER DRYER

ITEM	DESCRIPTION	REMARKS	QTY	PART#
1	PLENUM, HEATER, BLOWER			01-555180
2	COVER, MOUNT, BLOWER DRYER			00-949899
3	ASSYM, BLOWER, BLOWER-DRYER			00-949925-00001
4	PLATE, BASE MOUNT, SINGLE FAN			00-974033
5	COVER, FAN, DRYER			00-948254-00005
6	COVER, VENTILATED			00-974744
7	CHANNEL, AIR, INLET, DRYER			00-948260-00002
8	COVER, BLOWER, SIDE		2	01-555179
9	PLATE, COVER, LOUVER			00-974745
10	PLATE, DAMPER, ADJUSTABLE			00-562402
11	DOOR, STPCW DRY HOOD LIFT OUT			0A-105153
12	DAMPER, VENT 31 X 3.81			0A-103164
13	HANDLE, STANDARD DOOR - PLASTIC			00-913102-00566
14	HEATER, BLOWER DRYER, STEAM	STEAM DRYER ONLY		00-949907
15	COVER, END-PLATE, BLOWER DRYER			00-949903
16	WLDMNT, MOUNT, ELECT-HEATER	ELECTRIC DRYER ONLY		00-949900
17	PLATE, MOUNT, HEATER ELEMENTS	ELECTRIC DRYER ONLY		00-949901-00001
18	WLDMNT, PLATE, HOLDER, ELEMENTS	ELECTRIC DRYER ONLY		00-949904-00001
19	BRACKET, HOLDER, TUBE, THERMOSTAT			00-949924
20	COVER, ELEMENT, BLOWER DRYER	ELECTRIC DRYER ONLY		00-949902
21	TUBE, WLDT, THERMOSTAT			00-949922
22	HEATER, AIR, 1.5KW	ELECTRIC DRYER ONLY	3	00-562095
23	THERMOSTAT,			00-294681-026-1
24	MOUNT PLATE, BLOWER, FLIGHT			01-555196

* TO ORDER, SUPPLY MACHINE MODEL AND SERIAL NUMBER

SWB-320 & SWB380 BOOSTER



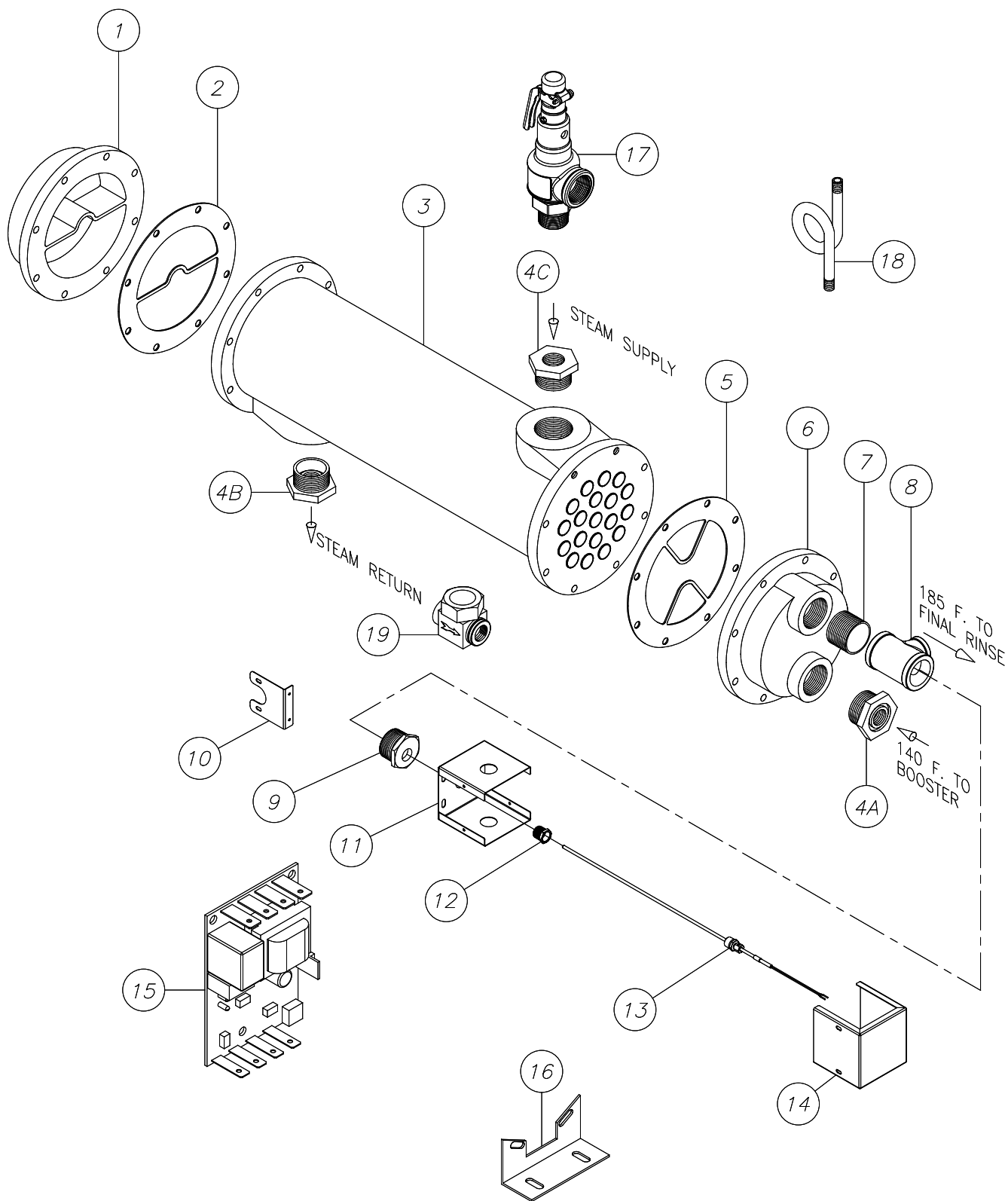
SWB-320 & SWB380 BOOSTER

ITEM	DESCRIPTION	REMARKS	QTY	PART#
1	HEAT EXCHANGER - SWB-260	**		0P-641961
	HEAT EXCHANGER - SWB-320	**		0P-641962
	HEAT EXCHANGER - SWB-380	**		0P-641963
2	GASKET, HEADER FLOW END	320 & 380		0B-572235
3	GASKET, RETURN END	320 & 380		0B-572236
4	END, HEADER FLOW			0P-641966
5	END, HEADER RETURN			0C-102238
6	BUSHING, 2 x 3/4 M x F (GALV)	140 IN & 180 OUTLET	2	0P-681610
7	BRACKET, MOUNTING		2	0A-103225
8	BUSHING, 2 x 1 M x F (BLACK IRON)	STEAM SUPPLY		0P-682604
9	BUSHING, 2 x 3/4 M x F (BLACK IRON)	STEAM RETURN		0P-681608
10	TRAP, 3/4" STEAM			0P-611168
11	COVER, 1/2" UNILET			0P-522019
12	GASKET, 1/2" UNILET			0P-522018
13	BODU, 1/2" UNILET			0P-522014
14	THERMOSTAT, CONTACTS OPEN (N/C)			0P-651183
15	CAPACITOR, .001 - 600V			0P-412462
16	VALVE, 3/4" PRESSURE RELIEF #3L			0P-621171
17	VALVE, 1" STEAM DIAPHRAM (PARKER)			0P-546250
18	STRAINER, 3/4" LINE (BRASS)			0P-631115
19	STRAINER, 1 " LINE - STEAM (BLACK IRON)			0P-631158

** INCLUDES ITEMS - 2,3,4 & 5

* TO ORDER, SUPPLY MACHINE MODEL AND SERIAL NUMBER

SWB-150 BOOSTER

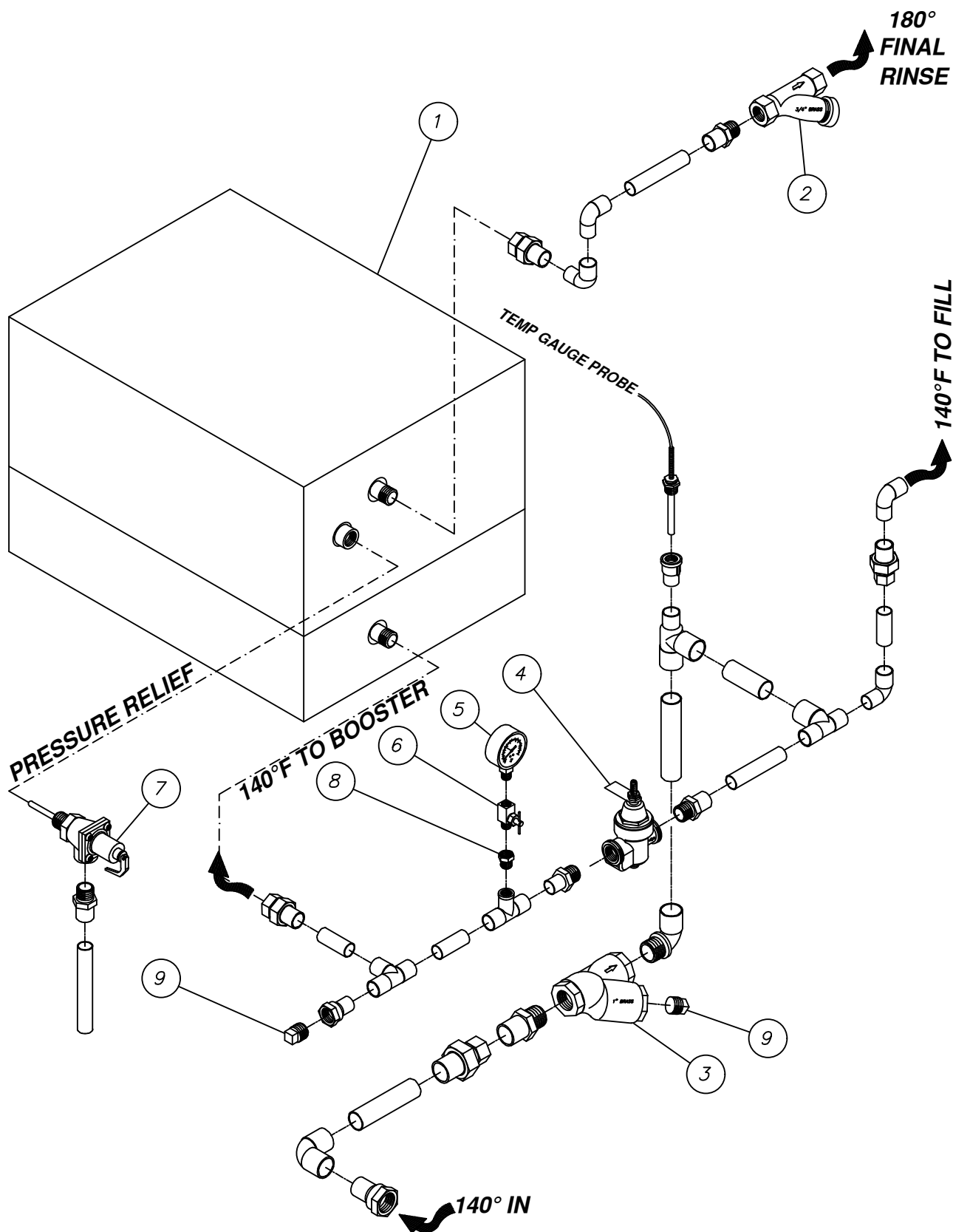


SWB-150 BOOSTER

ITEM	DESCRIPTION	REMARKS	QTY	PART#
1	HEADER			0P-641964
2	GASKET, RETURN END			0B-571278
3	HEAT EXCHANGER SWB-150	ITEMS 1-3, 5 & 6		0H-648587
4A	BUSHING, BRASS 1-1/4 M X 3/4 F			FP-027-41
4B	BUSHING, B.I. 1-1/2 M X 1/2 F			0P-681562
4C	BUSHING, B.I. 1-1/2 M X 3/4 F			0P-681561
5	GASKET, FLOW END			0B-572234
6	HEADER, FLOW END			0P-641965
7	1-1/4 NPT CLOSE NIPPLE BRASS			0P-685352
8	1-1/4 X 3/4 NPT INLINE TEE REDUCER	BRASS		FP-092-84
9	ADAPTER, THERMISTOR			01-555089
10	MOUNT, BOX. STEAM BOOSTER THERMISTOR			01-555237-00003
11	BOX, STEAM BOOSTER THERMISTOR			01-555237-00001
12	BUSHING, 1/2" MNPT X 3/8 " FNPT S.S.			0P-686651
13	PROBE ASSY, STRAIGHT STEAM BOOSTER			0H-658588
14	COVER, STEAM BOOSTER THERMISTOR			01-555237-00002
15	BOARD ASSY, TEMP CONTROL			0H-428589
16	BRACKET, MACHINE MOUNTED		2	0A-103225
17	VALVE, SAFETY RELIEF, 3/4" NPT			01-555084
18	PIGTAIL, B.I. 1/4" MIP STEAM			0P-681601
19	TRAP, 1/2" STEAM			0P-611169

* TO ORDER, SUPPLY MACHINE MODEL AND SERIAL NUMBER

TYPICAL HATCO ELECTRIC BOOSTER

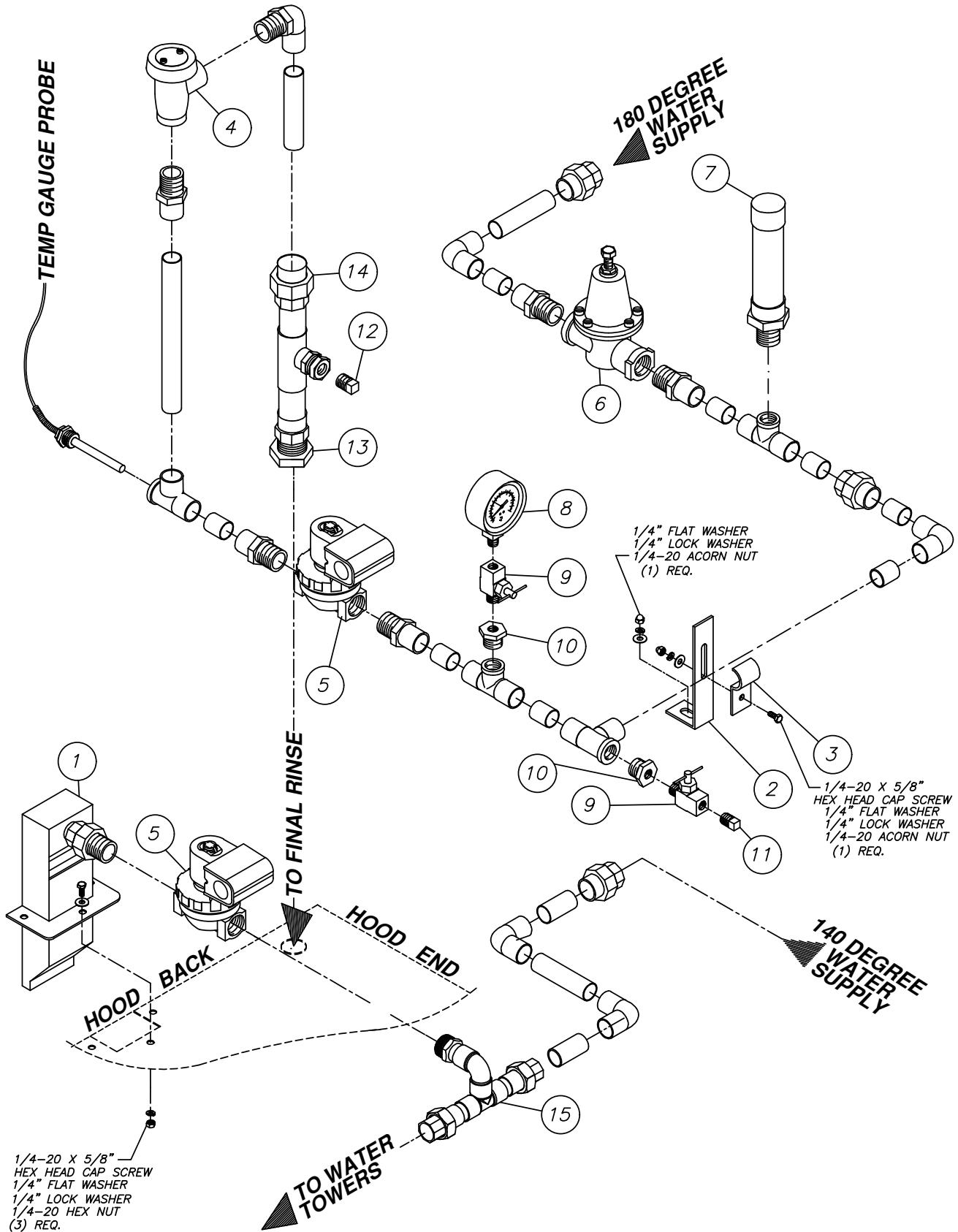


TYPICAL HATCO ELECTRIC BOOSTER

ITEM	DESCRIPTION	REMARKS	QTY	PART#
1	BOOSTER, HATCO C-24 [208V - 24 KW]			0P-642795
	BOOSTER, HATCO C-24 [480V - 24 KW]			0P-642797
	BOOSTER, HATCO C-45 [208V - 45 KW]			0P-642798
	BOOSTER, HATCO C-45 [240V - 45 KW]			0P-642799
	BOOSTER, HATCO C-45 [480V - 45 KW]			0P-642800
	BOOSTER, HATCO C-54 [208V - 54 KW]			0P-642647
	BOOSTER, HATCO C-54 [240V - 54 KW]			0P-642648
	BOOSTER, HATCO C-54 [480V - 54 KW]			0P-642649
2	STRAINER, 3/4" LINE	BRASS		0P-631115
3	STRAINER, 1" LINE	BRASS		0P-632251
4	VALVE, PRESSURE REGULATING - 3/4"			0P-621166
5	GAUGE, PRESSURE 0-60 PSI			0P-651136
6	VALVE, NEEDLE STR 1/4 X 1/4 MIPXFIP			0P-681511
7	VALVE, HI PRESSURE RELIEF - 3/4"			01-650031-00009
8	BUSHING, 3/4 X 1/4 M x F	BRASS		0P-681534
9	PLUG, 3/4" - MIP	BRASS		0P-681486

* TO ORDER, SUPPLY MACHINE MODEL AND SERIAL NUMBER

FINAL RINSE PIPING ASSEMBLY (KIT 55)

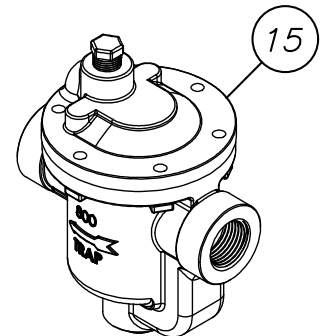
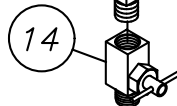
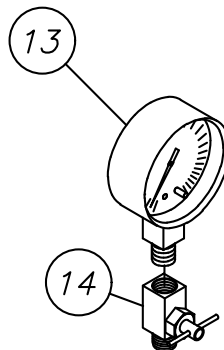
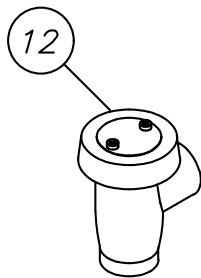
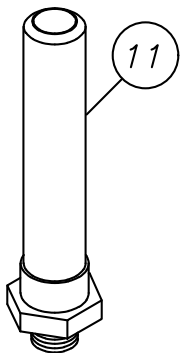
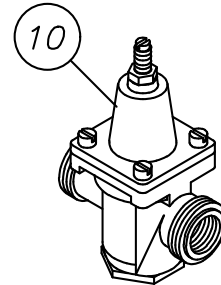
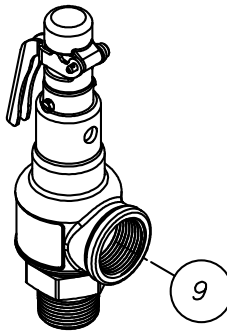
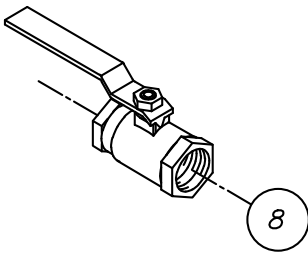
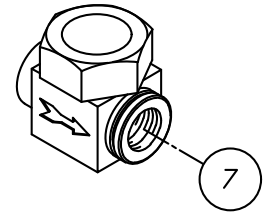
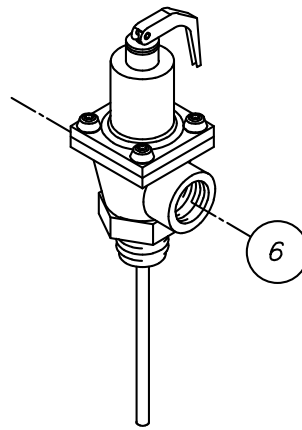
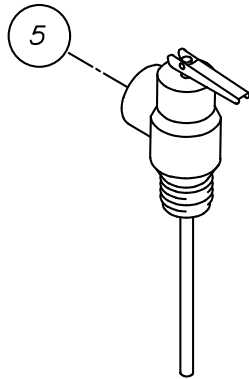
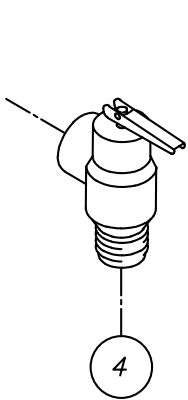
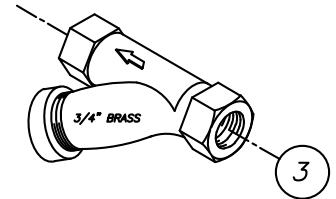
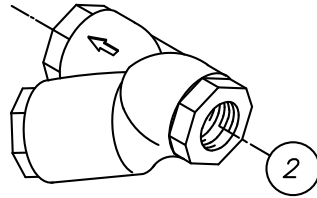
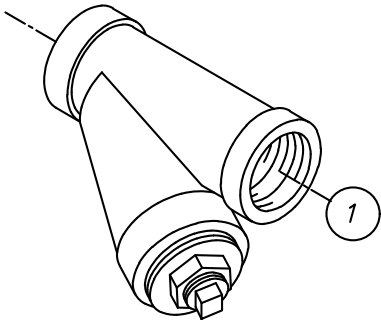


FINAL RINSE PIPING ASSEMBLY (KIT 55)

ITEM	DESCRIPTION	REMARKS	QTY	PART#
1	TOWER, WATER CHEMICAL MIXIG	FLAT		0C-102678
2	BRACKET, PIPE SUPPORT			0A-102022
3	CLAMP, PIPE SUPPORT BRACKET			0A-102021
4	VACUUM BREAKER, 3/4" [COMPLETE]			0P-621149
	KIT, REPAIR 3/4" VACUUM BREAKER			0P-621164
5	VALVE, SOLENOID - 3/4" COMPLETE	120V		0P-546245
	VALVE, SOLENOID - 3/4" COMPLETE	208/240V		0P-546246
	REPAIR KIT, 3/4" SOLENOID VALVE			0P-546247
	COIL ONLY	120V		0P-546248
	COIL ONLY	208/240V		0P-546249
6	VALVE, PRESSURE REDUCING - 3/4"			0P-621166
7	SHOCK STOP, 3/4"			01-555243-00001
8	GAUGE, PRESSURE [2 1/2" DIA.]			EL-102177
9	VALVE, NEEDLE STR- 1/4 X 1/4" MIPxFIP			0P-681511
10	BUSHING, 1/2 X 1/4" BRASS MxF			0P-681534
11	PLUG, 1/4" BRASS MIP			0P-681489
12	PLUG, 1/2" BRASS MIP			0P-681487
13	NUT, 3/4" JAM			0A-101859
14	TOWER, FINAL RINSE ASSEMBLY	INCLUDES ITEMS 12 & 13		0A-104564
15	TEE, FILL MANIFOLD			01-555072

* TO ORDER, SUPPLY MACHINE MODEL AND SERIAL NUMBER

COMMON PLUMBING

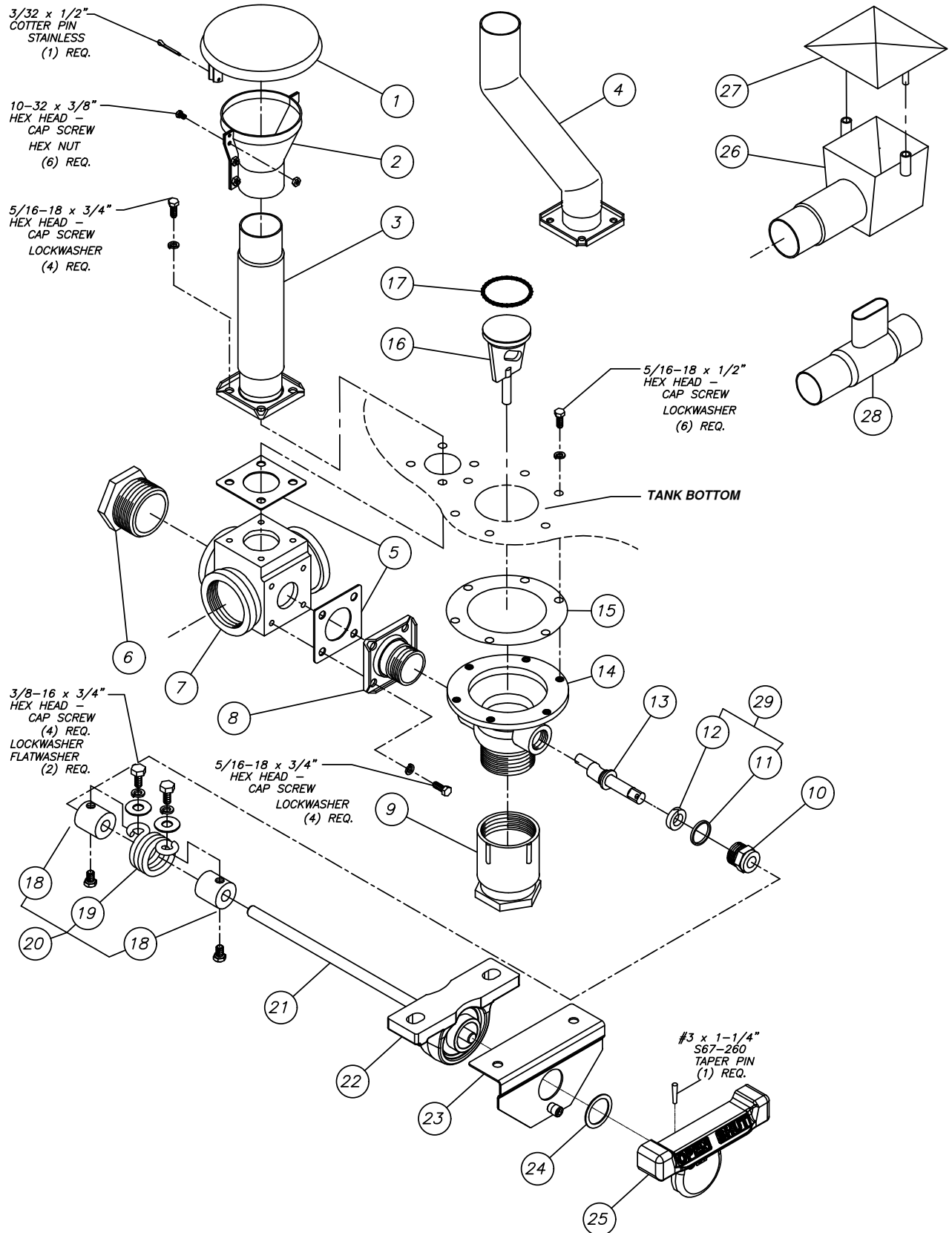


COMMON PLUMBING

ITEM	DESCRIPTION	REMARKS	QTY	PART#
1	LINE STRAINER BLACK IRON 1-1/4"			0P-631159
2	LINE STRAINER BLACK IRON 1"			0P-631158
	LINE STRAINER BRASS 1"			0P-632251
3	LINE STRAINER BRASS 3/4"			0P-631115
4	VALVE, PRESSURE RELIEF # 3L - 3/4"			0P-621171
	VALVE, PRESSURE RELIEF #53L - 1/2"			0P-621919
5	VALVE, PRESSURE & TEMP RELIEF 100XL			0P-621174
6	VALVE, HI PRESSURE & TEMP RELIEF			01-650031-00009
7	TRAP, 3/4" STEAM			0P-611168
	TRAP, 1/2" STEAM			0P-611169
8	BALL VALVE 3/4"			0P-622453
9	VALVE, SAFETY RELIEF 50 PSI STEAM			0P-626946
10	VALVE PRESS REDUCING 3/4 WATER			0P-621166
11	SHOCKSTOP 3/4 MINI #05			0P-622250
12	VACUUM BRKR 3/4			0P-621149
13	GAUGE, PRESSURE 2-1/2 60 PSI			EL-102177
14	VALVE, NEEDLE STR 1/4 X 1/4 MIP X FIP			0P-681511
15	TRAP, 3/4" STEAM INVERTED BUCKET	LOW PRESSURE		0P-616042

* TO ORDER, SUPPLY MACHINE MODEL AND SERIAL NUMBER

DRAIN ASSEMBLY

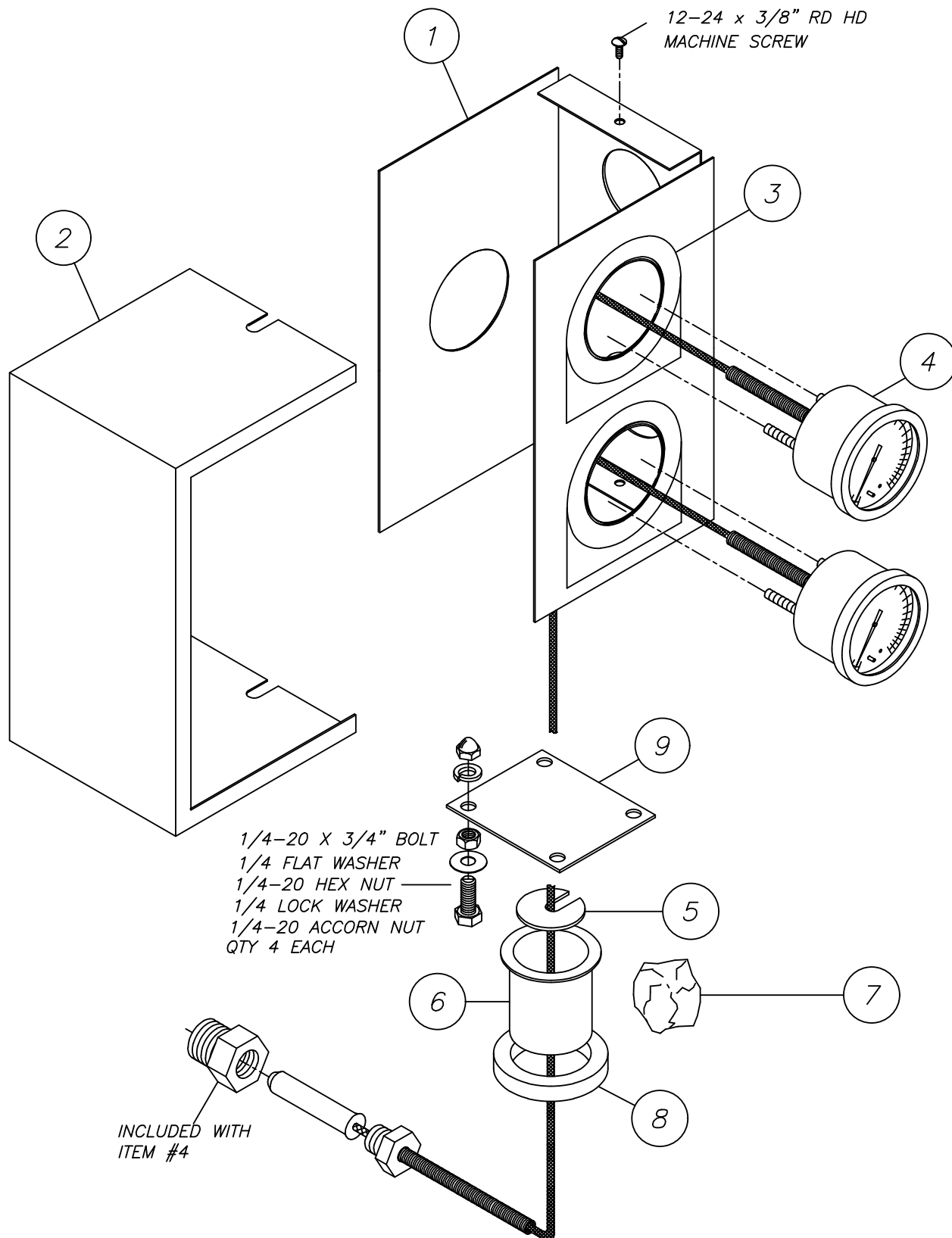


DRAIN ASSEMBLY

ITEM	DESCRIPTION	REMARKS	QTY	PART#
1	COVER, FUNNEL	REAR PUMP		0A-101874
2	FUNNEL, OVERFLOW	REAR PUMP		0A-101873
3	STAND PIPE, OVERFLOW TO FUNNEL	REAR PUMP		0A-101889
4	STAND PIPE ASSEMBLY, OFFSET OVERFLOW	SIDE PUMP		0C-106898
5	GASKET			0A-571114
6	PLUG, 2" PIPE			0P-681698
7	TEE, DRAIN			0B-101871
8	ADAPTOR, DRAIN TEE			0A-103305
9	CAP, PVC DRAIN VALVE 2"			0A-102067
10	NUT, PACKING DRAIN VALVE BRASS			0A-101182
11	WASHER, DRAIN VALVE PACKING NUT			0A-106189
12	PACKING, DRAIN VALVE			0P-576253
13	ARM, WASTE VALVE ECCENTRIC			0A-101184
14	BODY, WASTE VALVE			0C-101193
15	GASKET, WASTE VALVE			0A-571194
16	CASTING SS VALVE & STEM W/O-RING	INCLUDES 17		00-913102-00284
17	O-RING, VITON			0P-571057
18	COLLAR, CROSS SHAFT		2	0A-101199
19	SPRING, FOOT LEVER			0P-602008
20	SPRING, FOOT LEVER ASSEMBLY	INCLUDES 18 & 19		0A-103199
21	SHAFT, FOOT LEVER			0A-103157
22	BEARING, PILLOW BLOCK DRAIN VALVE			0P-666829
23	BRACKET, FOOT LEVER BEARING			0A-106842
24	WASHER, TEFLON SPACER FOOT LEVER			0A-104955
25	FOOT LEVER, DRAIN VALVE			0B-102448
26	OVERFLOW, RINSE TANK - "BIRDHOUSE"	REAR PUMP		0A-102988
27	COVER, OVERFLOW, RINSE TANK	REAR PUMP		0A-102989
28	TEE WASH OVRFLOW	REAR PUMP		0B-106748
29	REPAIR KIT DRAIN VALVE PACKING	INCLUDES 11 & 12		0A-106254
NS	OVERFLOW PIPE STPCW WASH TANK (NOT SHOWN)	REAR PUMP		0A-104916
	OVERFLOW - ASSEMBLY, COMPLETE	REAR PUMP		0A-101875
	INCLUDES: 1-3,5(2x),7 & 8			
	DRAIN VALVE - ASSEMBLY, COMPLETE			0A-105265
	INCLUDES: 5,6(3x),7-14, 16 & 17			
	WASTE VALVE - ASSEMBLY, COMPLETE			0A-101251
	INCLUDES: 10-14, 16 & 17			
	LEVER, FOOT - ASSEMBLY, COMPLETE			0B-106843
	INCLUDES: 20-25			

* TO ORDER, SUPPLY MACHINE MODEL AND SERIAL NUMBER

TWIN TEMP GAUGE ASSEMBLY

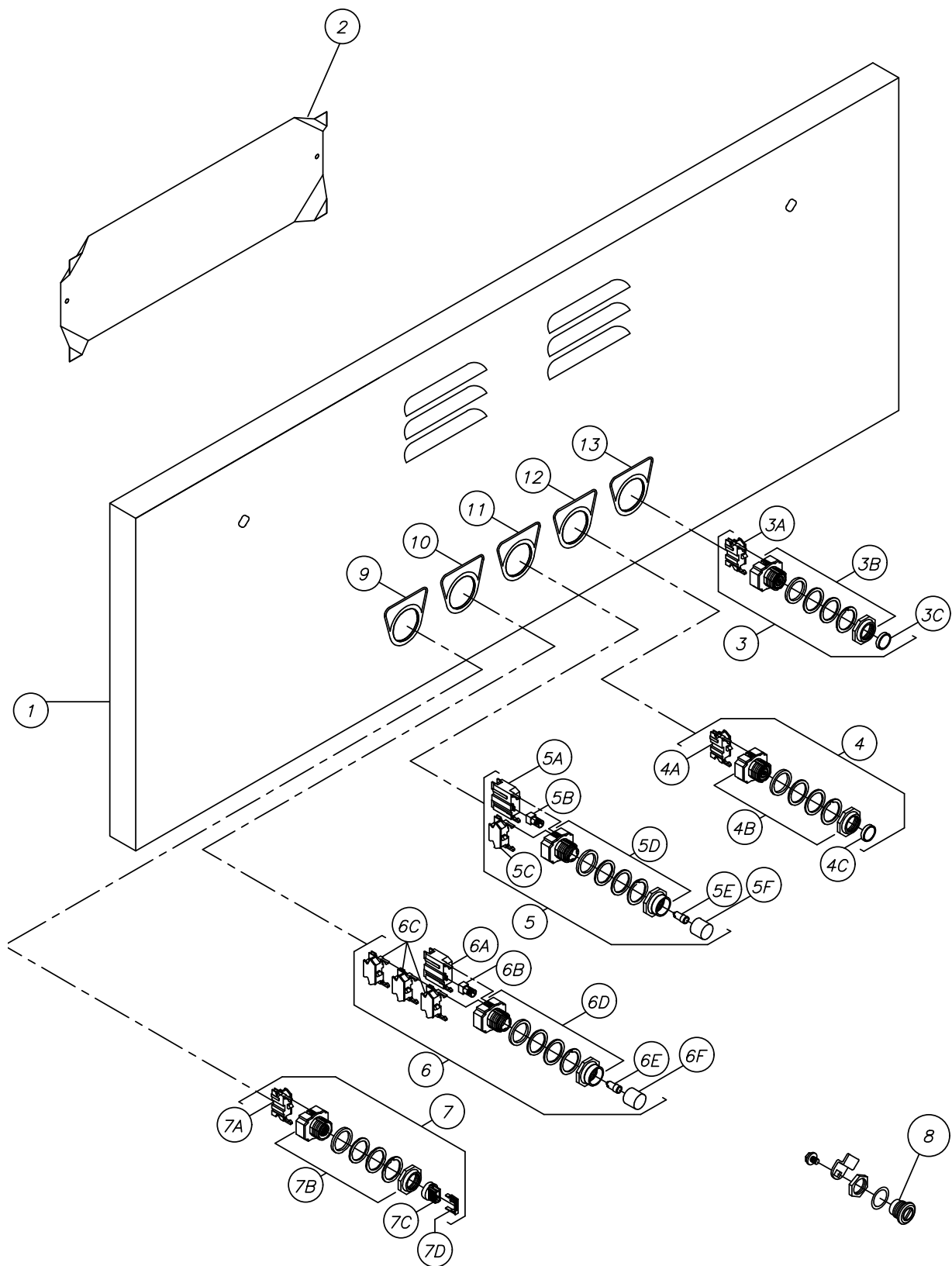


TWIN TEMP GAUGE ASSEMBLY

ITEM	DESCRIPTION	REMARKS	QTY	PART#
1	HOUSING, TWIN TEMP GAUGE			0B-102149
2	COVER, TWIN TEMP GAUGE			0B-102148
3	DECAL, SCRAPPER TEMP	110-140		0A-691454
	DECAL, POWER WASH TEMP	150-165		0A-691456
	DECAL, AUX RINSE	165-170		0A-696328
	DECAL, POWER RINSE	160-190		0A-691459
	DECAL, FINAL RINSE	180-200		0A-691460
4	GAUGE, TEMPERATURE			0P-651135
5	WASHER, SEALING CUP			0A-102155
6	CUP, SEALING TEMP GAUGE HOUSING			0A-102150
7	PUTTY, SEALING			0P-571878
8	RING, OUTER NEOPRENE RUBBER			0A-572156
9	PLATE COVER			0A-101747

* TO ORDER, SUPPLY MACHINE MODEL AND SERIAL NUMBER

CONTROL BOX DOOR

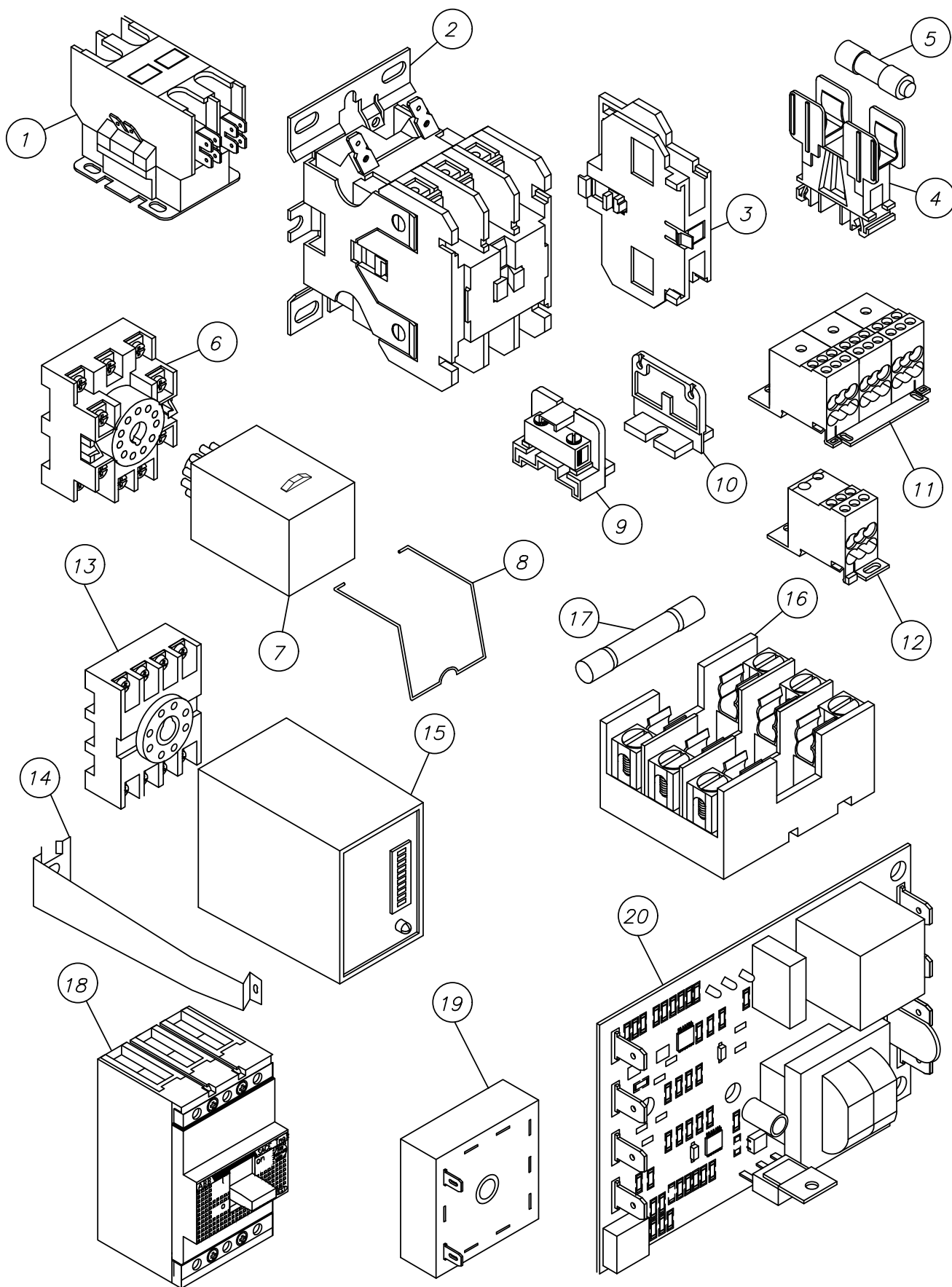


CONTROL BOX DOOR

ITEM	DESCRIPTION	REMARKS	QTY	PART#
1	DOOR, PUSH BUTTON 60 CTRL BOX"	ELECTRIC HEATED		0B-104775
	DOOR, 32" CONTROL BOX, 6-HOLE	STEAM HEATED		01-555008
2	SPLASH SHIELD LRG TOP CNTRL BX			0F-990309
3	SWITCH, STOP COMPLETE ASSEMBLY	INCLUDES 3A-3C		0A-101937
3A	BLOCK, RED N/C B	RED	1	0P-491304
3B	SWITCH, PUSH BUTTON OPERATOR		1	0P-491305
3C	CAP, RED DISC		1	0P-491315
4	SWITCH, START COMPLETE ASSEMBLY	INCLUDES 4A-4C		0A-101936
4A	BLOCK, N/O A	BLUE/GREEN	1	0P-491303
4B	SWITCH, PUSH BUTTON OPERATOR		1	0P-491305
4C	CAP, BLACK DISC		1	0P-491314
5	SWITCH, TANK HEAT/BOOSTER ILLUM RED	INCLUDES 5A-5F		0A-101934
5A	ADAPTOR, FULL VOLT LED BULB	BLACK	1	0P-497129
5B	HOLDER, LAMP SHORT		1	0P-491319
5C	BLOCK, N/O A	BLUE/GREEN	1	0P-491303
5D	SWITCH, ON/OFF TANK HEAT ILLUM		1	0P-491308
5E	BULB, LED CLEAR		1	01-555201
5F	LENS, RED		1	0P-491311
6	SWITCH, AUTO FILL ASSEMBLY 3 TANK	INCLUDES 6A-6F		0A-103734
6A	ADAPTOR, FULL VOLT LED BULB	BLACK	1	0P-497129
6B	HOLDER, LAMP SHORT		1	0P-491319
6C	BLOCK, N/O A	BLUE/GREEN	3	0P-491303
6E	BULB, LED CLEAR		1	01-555201
6F	LENS, GREEN		1	0P-491312
4 TANK FILL SWITCH ORDER A10-3734 AND 1 P49-1303				
7	SWITCH, ON/OFF COMPLETE ASSEMBLY	INCLUDES 7A-7D		0A-101930
7A	BLOCK, N/O A	BLUE/GREEN	1	0P-491303
7B	SWITCH, SELECTOR 2 POSITION		1	0P-491306
7C	KNOB, BLACK		1	0P-491316
7D	INSERT, SWITCH WHITE KNOB		1	0P-491317
8	LATCH, SLOTTED		2	0P-696679
9	DECAL, BEZEL SAFETY OFF/ON			0A-694148
10	DECAL, BEZEL FILL			0A-694139
11	DECAL, BEZEL TANK HEAT			0A-694315
12	DECAL, BEZEL START			0A-694138
13	DECAL, BEZEL STOP			0A-691429
14	DECAL, BEZEL BOOSTER	NOT SHOWN		0A-694141

* TO ORDER, SUPPLY MACHINE MODEL AND SERIAL NUMBER

CONTROL BOX COMPONENTS

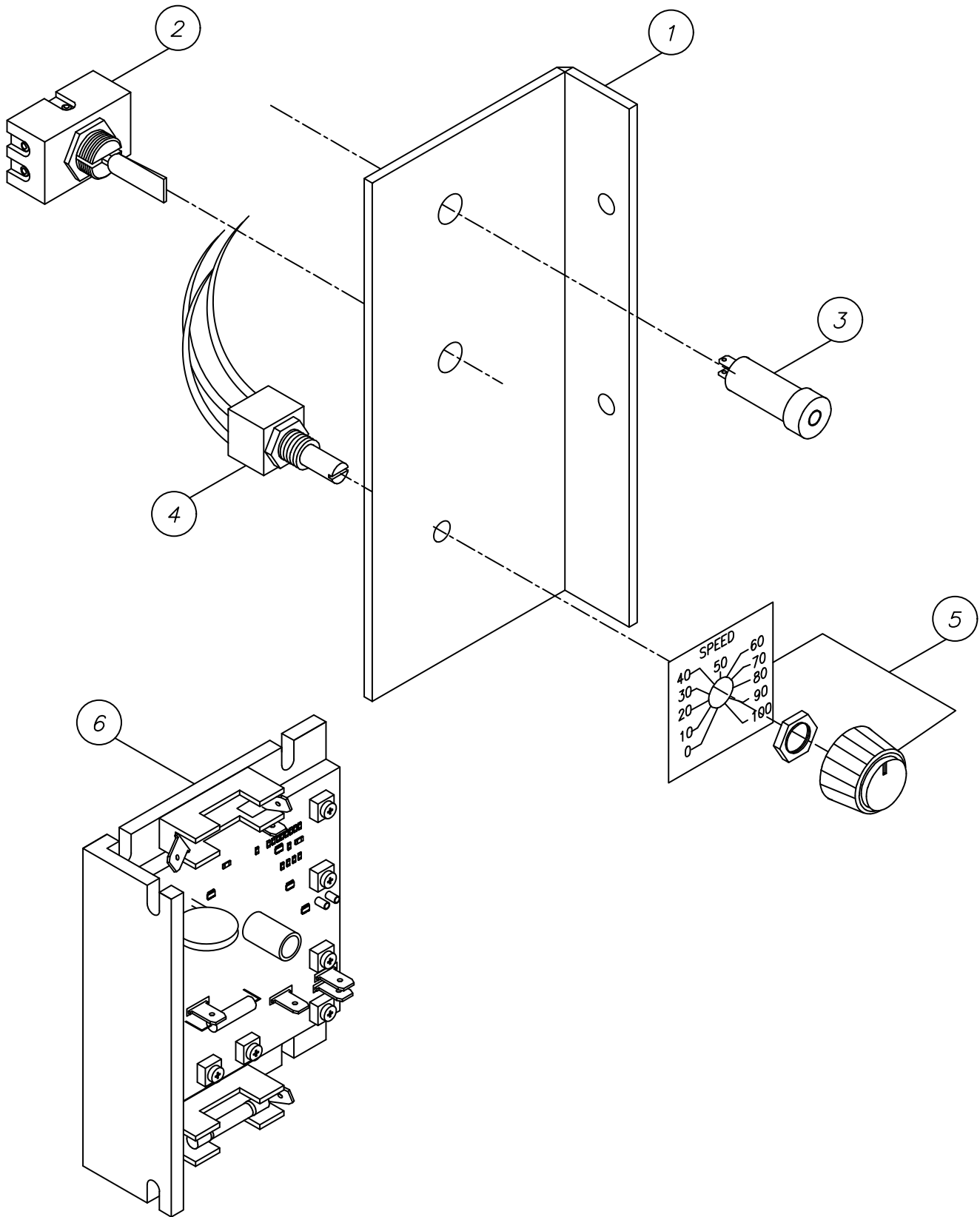


CONTROL BOX COMPONENTS

ITEM	DESCRIPTION	REMARKS	PART#
1	CONTACTOR, 2 POLE 115V. 20/30 AMP	EXHAUST FAN	0P-476044
2	CONTACTOR, 3 POLE 115v. 30/40 AMP	MOTORS & TANK HEAT	0P-475500
	CONTACTOR, 3 POLE 115v. 50/60 AMP	208V 15KW TANK HEAT CIRCUIT	0P-476207
3	CONTACTOR, AUXILARY 1 N/O		0P-475517
4	TERMINAL, FUSE BLOCK		0P-525996
5	FUSE, 10 AMP MAX 600V CLASS CC		0P-521855
6	SOCKET, RELAY		0P-472465
7	RELAY, 115V 10 AMP 3 POLE		0P-472464
8	CLIP, RELAY HOLD DOWN		0P-472466
9	TERMINAL BLOCK		0P-521099
10	TERMINAL BLOCK END MARATHON		0P-521100
11	BLOCK, POWER DISTRIBUTION 6H 3P		0P-526316
13	BLOCK, POWER DISTRIBUTION 6H 1P		0P-526294
13	SOCKET, RELAY NDS-8		0P-476352
14	CLIP, SOCKET TIMER		0P-476353
15	TIMER, ADJUSTABLE 512 SECOND 115V		0P-461744
16	FUSE HOLDER	480V MACHINES	0P-476800
	FUSE HOLDER	208V MACHINES	01-555301
17	FUSE, TYPE SLC 35A CLASS G		0P-521748
	FUSE, TYPE SLC 60A CLASS G		0P-521749
18	BREAKER, 15 AMP 3 POLE	UP TO s# 104001532	0P-486261
	BREAKER, 30 AMP 3 POLE	UP TO s# 104001532	0P-486263
	BREAKER, 40 AMP 3 POLE	UP TO s# 104001532	0P-486264
	BREAKER, 90 AMP 3 POLE	UP TO s# 104001532	0P-486268
	BREAKER, 15 AMP 3 POLE (NEW STYLE)	START AT s# 104001584	01-555027-00001
	BREAKER, 30 AMP 3 POLE (NEW STYLE)	START AT s# 104001584	01-555027-00003
	BREAKER, 40 AMP 3 POLE (NEW STYLE)	START AT s# 104001584	01-555027-00004
	BREAKER, 90 AMP 3 POLE (NEW STYLE)	START AT s# 104001584	01-555027-00008
19	RELAY, PARKER FLOAT		0P-476993
20	THERMOSTAT, SOLID STATE BOARD		0P-426985

* TO ORDER, SUPPLY MACHINE MODEL AND SERIAL NUMBER

D.C. DRIVE CONTROL

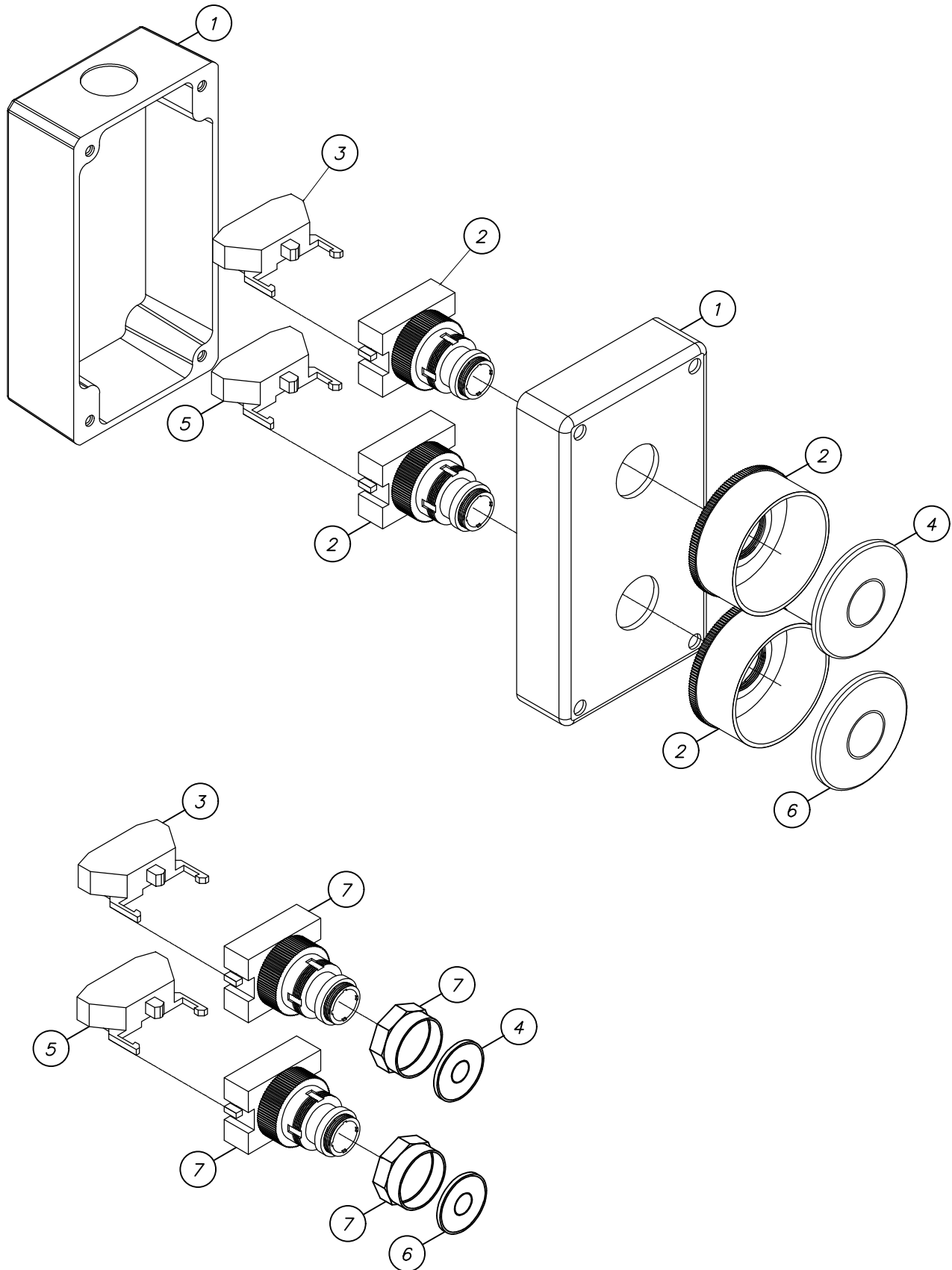


D.C. DRIVE CONTROL

ITEM	DESCRIPTION	REMARKS	QTY	PART#
1	BRACKET, SPEED CONTROLS			0A-106043
2	SWITCH, FORWARD/REVERSE			0P-491263
3	BREAKER, SPEED CONTROL 8 AMP	1/2 HP		0P-485165
	BREAKER, SPEED CONTROL 15 AMP	1 HP		0P-481266
4	POTENTIOMETER, VARIABLE SPEED			0P-411264
5	KNOB & PLATE FOR D/C MOTOR BRACKET			0P-425482
6	P.C. BOARD W 1/2 HP RESISTOR			0P-421248
	P.C. BOARD W 1 HP RESISTOR			0P-421247
	1/2 HP RESISTOR ONLY			0P-426342
	1 HP RESISTOR ONLY			0P-425207

* TO ORDER, SUPPLY MACHINE MODEL AND SERIAL NUMBER

REMOTE START/STOP ASSEMBLY

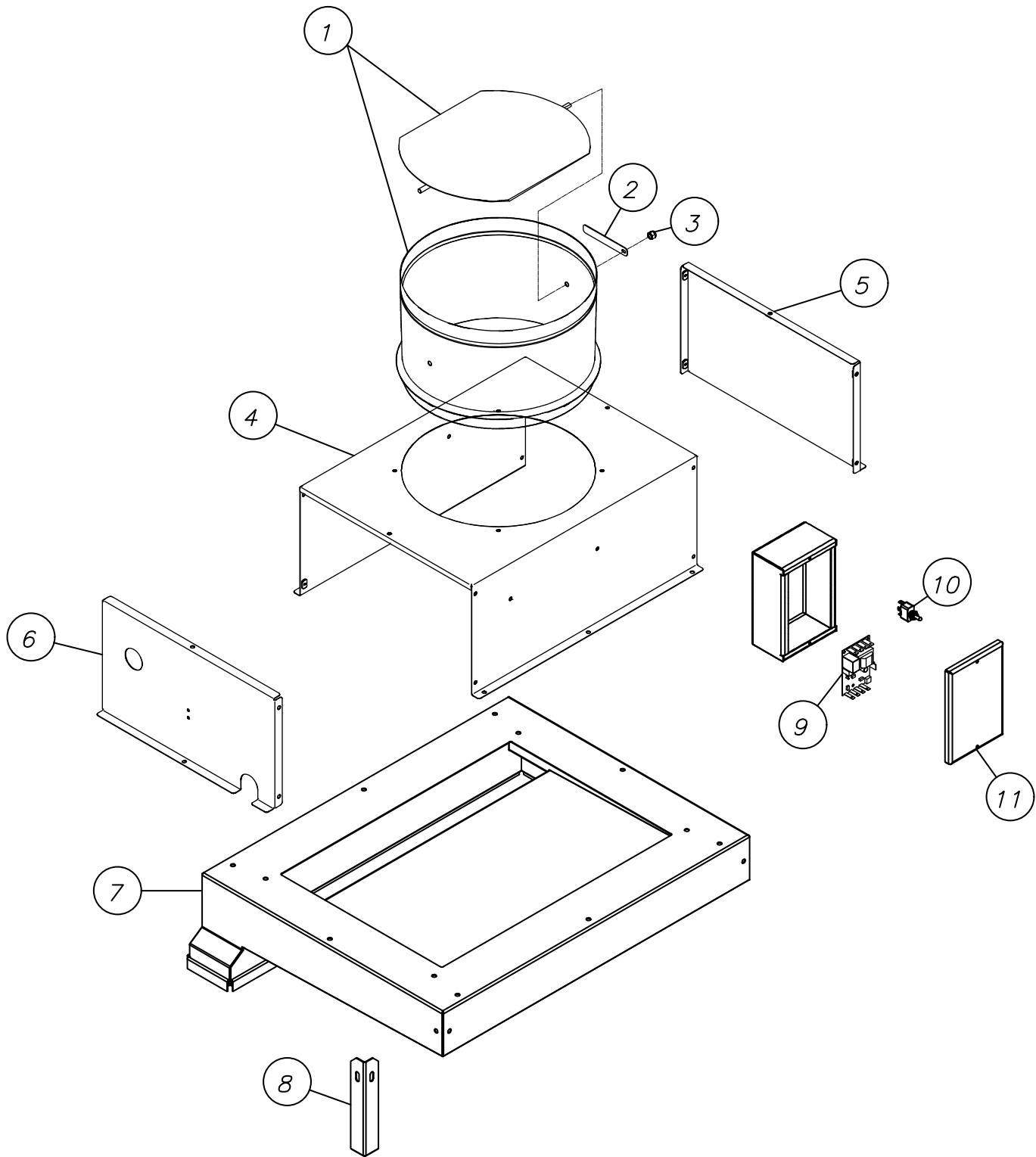


REMOTE START/STOP ASSEMBLY

ITEM	DESCRIPTION	REMARKS	QTY	PART#
1	ENCLOSURE, START-STOP POLY CARB			0P-496550
2	SWITCH, PUSH BUTTON OPERATOR W/SHROUD			0P-496551
3	BLOCK, GREEN N/O			0P-491303
4	BUTTON, MUSHROOM BLACK			0P-491727
5	BLOCK, RED N/C			0P-491304
6	BUTTON, MUSHROOM RED			0P-491728
7	SWITCH, PUSH BUTTON OPERATOR W/SHROUD (OLD STYLE METAL BOX)			0P-491726
	COMPLETE START/STOP ASSEMBLY (CURRENT PRODCUTION)	INCLUDES 1-6		0B-102053
	Metal Box Switch Assemblies (Old Style)			
	START BUTTON ASSEMBLY	INCLUDES 3, 4 & 7		0A-102051
	STOP BUTTON ASSEMBLY	INCLUDES 5, 6 & 7		0A-102052
	Poly Carb Box Switch Assemblies (CURRENT PRODUCTION)			
	START BUTTON ASSEMBLY	INCLUDES 2, 3 & 4		01-555334
	STOP BUTTON ASSEMBLY	INCLUDES 2, 5 & 6		01-555335

* TO ORDER, SUPPLY MACHINE MODEL AND SERIAL NUMBER

HEAT RECOVERY SYSTEM



HEAT RECOVERY SYSTEM

ITEM	DESCRIPTION	REMARKS	QTY	PART#
1	HEAT RECOVERY DAMPER ASSY	INCLUDES 2 & 3		0A-106908-0000D
2	LEVER, DAMPER			0H-108651
3	STP NUT, 3/8-24 HEX SST			NS-036-12
4	HEAT RECOVERY COIL SHROUDING	INCLUDES 5 & 6		0A-106908-0000S
5	PANEL, FRONT ENCLOSURE END			0H-108652
6	PANEL, REAR ENCLOSURE END			0H-108653
7	HEAT RECOVERY COWL ADAPTER	INCLUDES QTY 2 OF #8		0A-106908-0000A
8	FOOT, HEAT RECOVERY		2	01-555287
9	PC BOARD, HEAT RECOVERY TEMP CONTROL			0P-426300
10	SWITCH TGGL 1/4HP 6A 125V 3A 250V			0P-491854
11	COVER, FAN CIRC CONTACTOR BOX			0A-105705

* TO ORDER, SUPPLY MACHINE MODEL AND SERIAL NUMBER



STERO, a division of Illinois Tool Works, Inc. 165 Independence Court Lancaster, PA 17601
Phone: 800-762-7600 *Fax:* 707-762-5036 *Website:* Stero.com