



**IMPORTANT FOR FUTURE REFERENCE**  
 Please complete this information and retain this manual for the life of the equipment:

Model #: \_\_\_\_\_  
 Serial #: \_\_\_\_\_  
 Date Purchased: \_\_\_\_\_

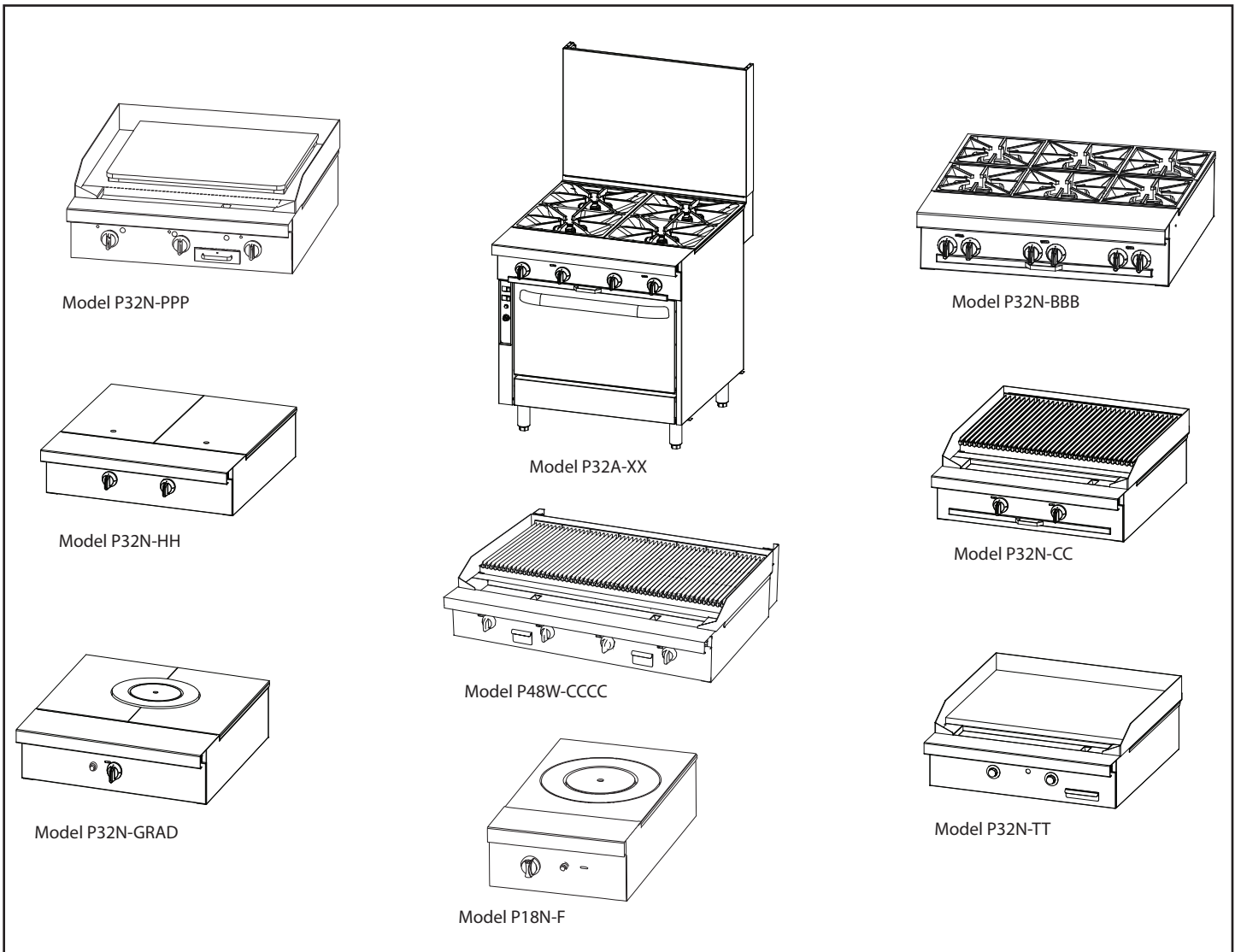
# Platinum Series Ranges

## Parts Manual

Flush Open Burner Models  
 Step-Up Open Burner Models  
 Combination Open-Burner Hot-Top Models  
 Combination Open-Burner Griddle Models

Graduated Hot-Top Models  
 Uniform Hot-Top Models  
 Plancha Models  
 French Top Models

Charbroilier Models  
 Standard Griddle Models  
 Thermostatic Griddle Models  
 Wood Smoker



1100 Old Honeycutt Road Fuquay-Varina, North Carolina 27526 USA  
[www.southbendnc.com](http://www.southbendnc.com)



Replacement parts may be ordered either through a Southbend Authorized Parts Distributor or a Southbend Authorized Service Agency. It is recommended to verify parts numbers with a Southbend Authorized Parts Supplier or the Southbend Parts/Service Department prior to ordering parts.

## PARTS

The following tables and figures list serviceable parts. For parts that are not listed, contact a Southbend Authorized Parts Distributor or a Southbend Authorized Service Agency.

<b>Table of Contents</b>	
<b>Page Number</b>	<b>Description</b>
3	33K-Open-Burner External and Structural Parts
5	33K-Open-Burner Gas Train Parts
7	45K-Open-Burner Parts
9	Charbroiler External and Structural Parts for 16" and 32" Models
11	Charbroiler External and Structural Parts for 12", 24", 36", and 48" Models
13	Wood Smoker External and Structural Parts for 36", 48", 60" and 72" Models
15	Charbroiler and Standard-Griddle Gas Train Parts
16	Gas Connection Parts
17	Griddle External and Structural Parts
19	Thermostatic Griddle Gas Train Parts
21	Uniform Hot-Top Parts
23	Graduated-Hot-Top Parts
25	Oven Base Parts
27	Convection Oven Blower Parts
28	Modular-Countertop Base Parts
29	Cabinet-Base Parts
31	Flue Riser Parts
32	Front-Rail Parts
33	Shelf Parts
34	Side Panel and Battery-Assembly Parts
35	Leg and Caster Parts

### 33K-Open-Burner External and Structural Parts

See drawing on following page

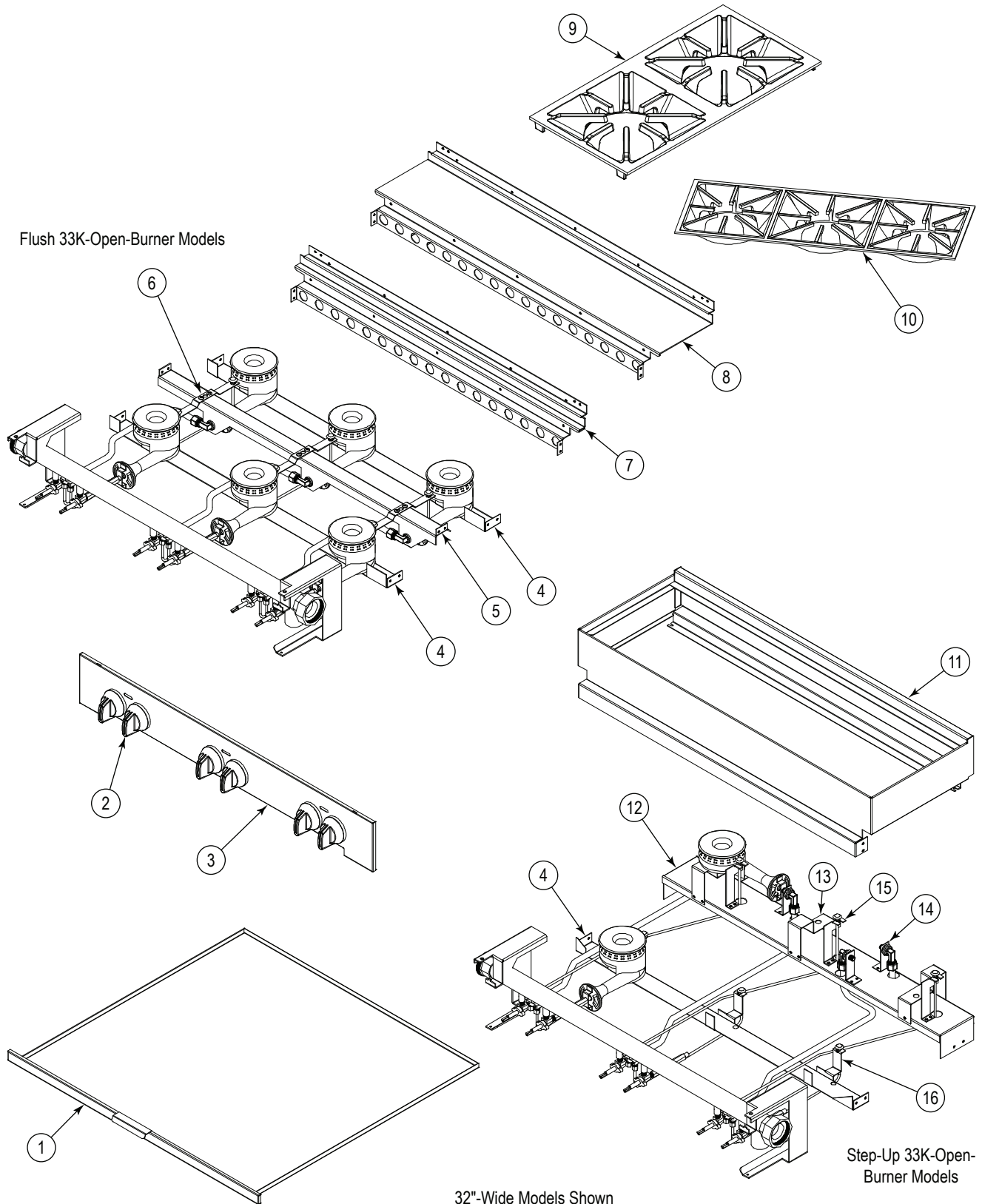
Key	Part Number	Description
1	Service	TRAY ASSEMBLY
2	1189600	KNOB
3	Service	VALVE PANEL
4	Service	BURNER REST
5	Service	SUPPORT, PILOT (for flush-top models)
6	Service	BRACKET, PILOT SUPPORT (for flush-top models)
7	Service	TRIM, FLUE RISER
8	Service	TRIM, 42 DEEP FLUE RISER
9	1183500	CAST IRON GRATE, SECTIONAL 12"
10	1173385	CAST IRON GRATE, BBB 32"
11	Service	SUPPORT W/A, STEP-UP GRATE
12	Service	BURNER REST, STEP-UP
13	Service	BRACKET, REAR BURNER REST (for step-up models)
14	Service	BRACKET, ORIFICE (for rear burners of step-up models)
15	Service	BRACKET, REAR PILOT (for rear pilots of step-up models)
16	Service	BRACKET, STEP-UP PILOT (for front pilots of step-up models)

\* Quantity of part used may depend on width of section (12", 24", 32", 36", or 48")

\* Service means call a Southbend Parts/Service Department (919-762-1000)

Figure 1

### 33K-Open-Burner External and Structural Parts



Flush 33K-Open-Burner Models

Step-Up 33K-Open-Burner Models

32"-Wide Models Shown

## 33K-Open-Burner Gas Train Parts

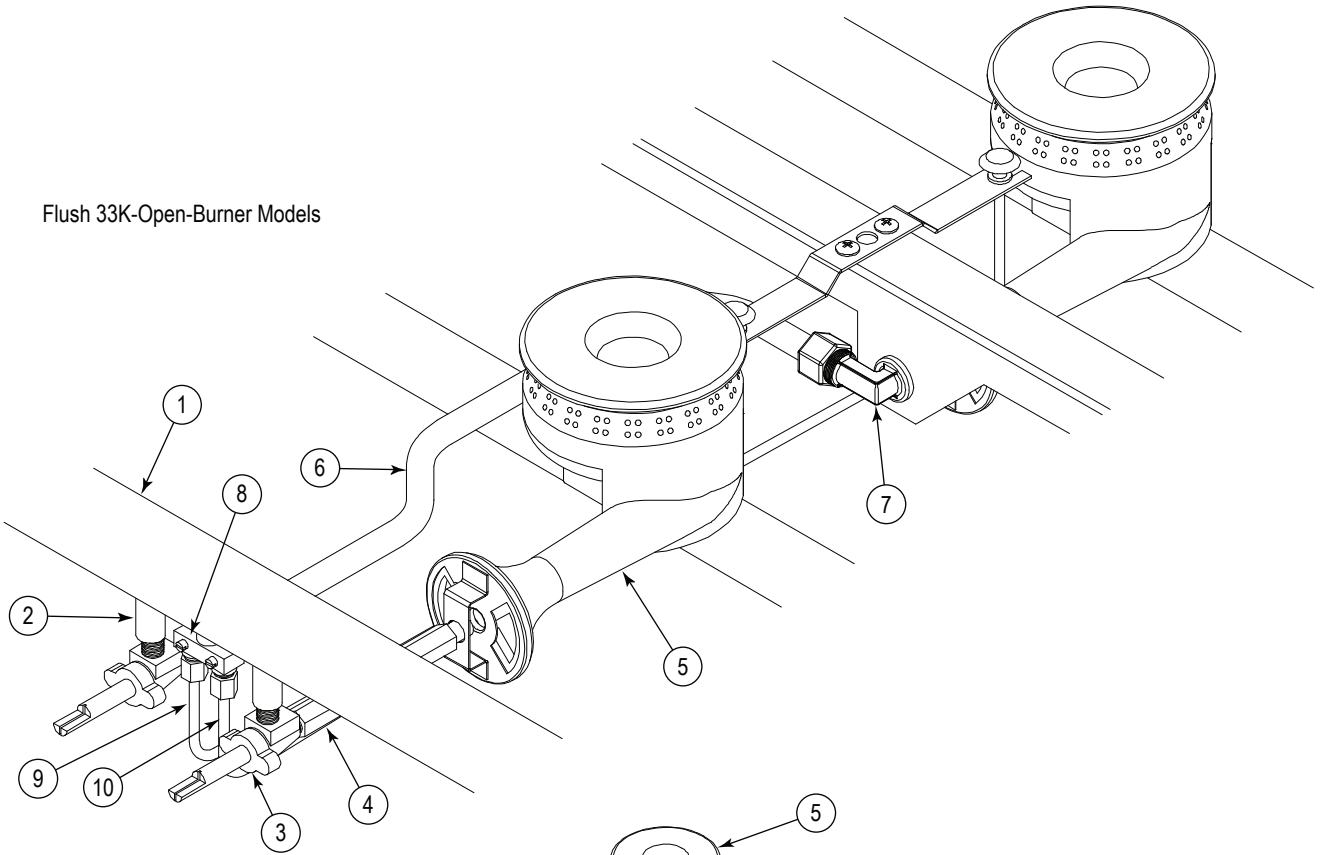
See drawing on following page

Key	Part Number	Description
1	Service	MANIFOLD W/A
2	<a href="#">1179222</a>	NIPPLE, EXTENSION
3	<a href="#">1178202</a>	VALVE, HI-OFF, NAT/LP
4	<a href="#">1179188</a>	EXTENSION, ORIFICE
**	<a href="#">1008741</a>	ORIFICE, NAT GAS (if appliance will operate above 2000 ft, contact Southbend for appropriate orifice size)
**	<a href="#">1008751</a>	ORIFICE, PROPANE (if appliance will operate above 2000 ft, contact Southbend for appropriate orifice size)
5	<a href="#">1182193</a>	BURNER ASSEMBLY, OPEN TOP
**	<a href="#">1182195</a>	FITTING, 1/2" COMP 1/4" NPT (connects rear-burner gas tube to valve)
6	<a href="#">1182192</a>	TUBE, REAR BURNER
7	<a href="#">1182191</a>	ORIFICE FITTING
8	<a href="#">1166004</a>	FITTING, DOUBLE PILOT, 3/16" TUBE
9	<a href="#">1183605</a>	PILOT TUBE W/A REAR
10	<a href="#">1183603</a>	PILOT TUBE W/A FRONT
11	<a href="#">1177106</a>	TUBE ASM, REAR BURNER PILOT (for rear pilots of step-up models)
12	<a href="#">1184646</a>	TUBE, REAR BURNER STEP-UP (for left rear and center rear burner of step-up models)
13	<a href="#">1184647</a>	TUBE, REAR BURNER STEP-UP (for right rear burner of step-up models)
<p>* Quantity of part used may depend on width of section (16", 18", 32", or 36")            * Service means call a Southbend Parts/Service Department (919-762-1000)            ** Not shown on drawing</p>		

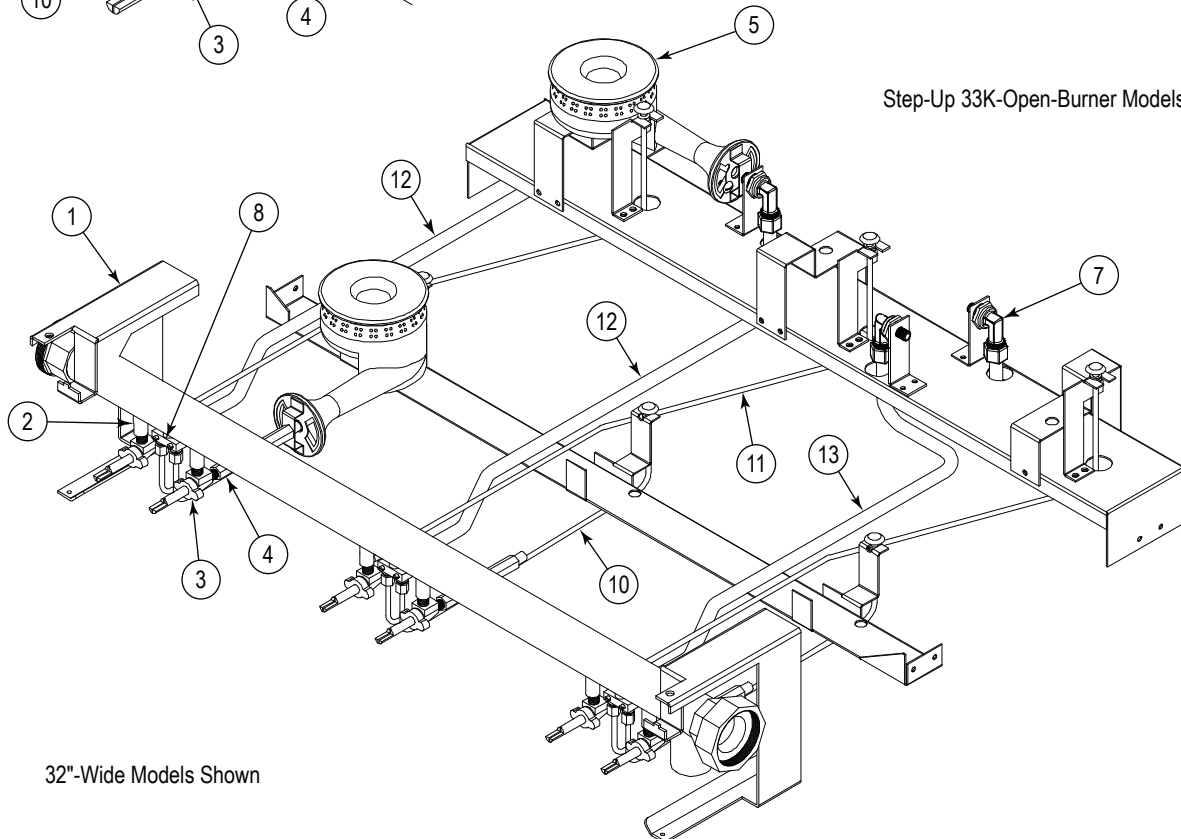
Figure 2

### 33K-Open-Burner Gas Train Parts

Flush 33K-Open-Burner Models



Step-Up 33K-Open-Burner Models



32"-Wide Models Shown

**45K-Open-Burner Parts**

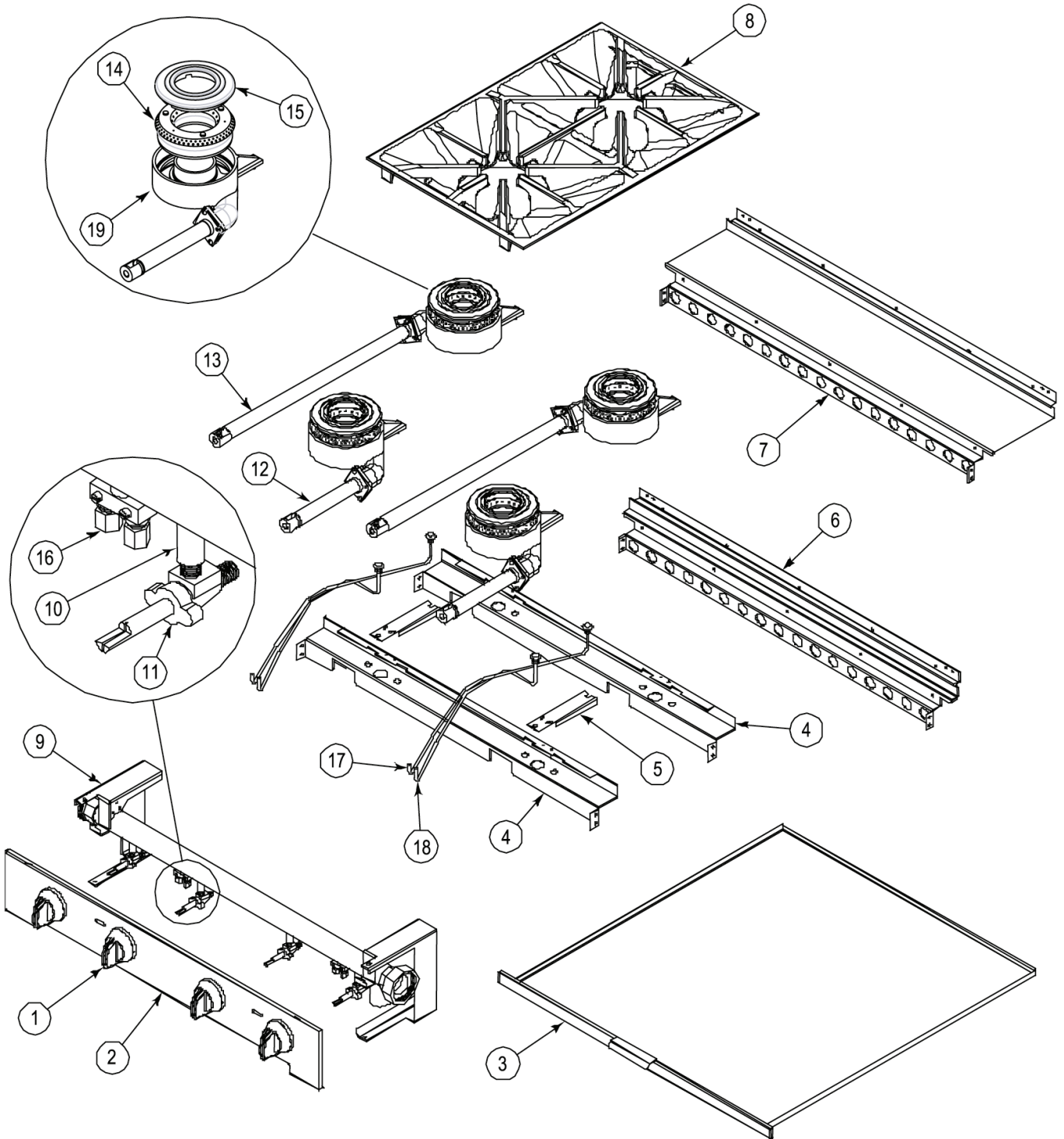
See drawing on following page

Key	Part Number	Description
1	1189600	KNOB
2	Service	VALVE PANEL
3	Service	TRAY ASSEMBLY, CRUMB
4	Service	BURNER SUPPORT
5	1179229	SUPPORT, PILOT
6	Service	TRIM 36 DEEP FLUE RISER
7	Service	TRIM 42 DEEP FLUE RISER
8	1179247	CAST IRON GRATE
9	Service	MANIFOLD W/A
10	1179222	NIPPLE, EXTENSION
11	1178202	VALVE, HI-OFF, NAT/LP
**	1008735	ORIFICE, NAT GAS (if appliance will operate above 2000 ft, contact Southbend for appropriate orifice size)
**	1008750	ORIFICE, PROPANE (if appliance will operate above 2000 ft, contact Southbend for appropriate orifice size)
12	1165742	VENTURI (for front burners)
13	1165741	VENTURI (for rear burners)
14	1179230	BURNER HEAD, 40
15	1177043	COVER, BURNER DRIP
16	1166004	FITTING, DOUBLE PILOT, 3/16" TUBE
17	1179246	PILOT W/A, REAR
18	1179244	PILOT W/A, FRONT
19	1179240	BURNER (for front)
	1179241	BURNER (for rear)

\* Quantity of part used may depend on width of section (12", 18", 32", or 36")  
 \* Service means call a Southbend Parts/Service Department (919-732-1000)  
 \*\* Not shown on drawing

Figure 3

### 45K-Open-Burner Parts



### Charbroiler External and Structural Parts for 16” and 32” Models

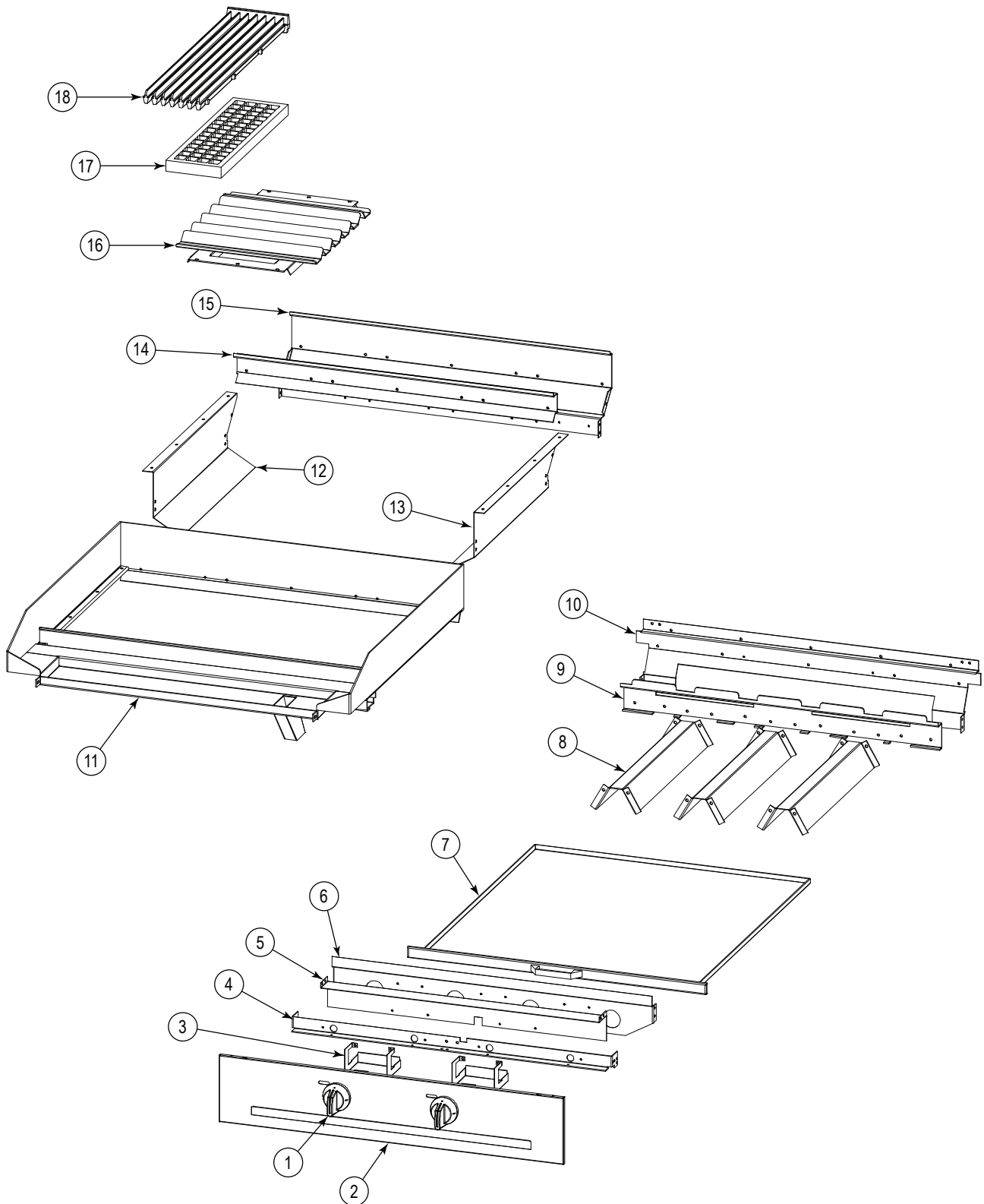
See drawing on following page

Key	Part Number	Description
1	1189600	KNOB
2	Service	VALVE PANEL
3	1184773	COVER, VALVE SHIELD
4	Service	BRACKET, ORIFICE
5	Service	SHIELD, VALVE HEAT
6	Service	SHIELD, CHARBROILER HEAT
7	Service	TRAY W/A, CHARBROILER CRUMB
8	1185654	SHIELD, CHAR HEAT DEFLECTOR
9	Service	SUPPORT, CHAR REAR GRATE
10	Service	TRIM, CHAR/GRI FLUE RISER
11	Service	CHARBROILER W/A
12	1183541	SHIELD, LEFT DRIP
13	1183542	SHIELD, RIGHT DRIP
14	Service	SUPPORT, CHARBROILER GRATE
15	Service	SHIELD, REAR DRIP
16	1185647	RADIANT W/A 32
17	1182657	GRATE, LAVA ROCK
**	1173193	LAVA ROCK BRIQUETTES, BAG
18	1178976	CHARBROILER GRID
**	1182838	PLATED FISH GRID

\* Quantity of part used may depend on width of section (16”, or 32”)  
 \* Service means call a Southbend Parts/Service Department (919-762-1000)  
 \*\* Not shown on drawing

Figure 4

### Charbroiler External and Structural Parts for 16" and 32" Models



**Charbroiler External and Structural Parts for 12", 24", 36", and 48" Models**

See drawing on following page

Key	Part Number	Description
1	1189600	KNOB
2	Service	VALVE PANEL
3	1184773	COVER, VALVE SHIELD
4	Service	SHIELD, VALVE HEAT
5	Service	BURNER REST, CHAR/GRI
6	Service	SHIELD, CHARBROILER HEAT
7	Service	TRAY W/A, CHARBROILER CRUMB
8	1184994	BRACKET, RADIANT STOP
9	Service	TRIM, CHAR/GRI FLUE RISER
10	Service	TRIM, 42 DEEP CHAR/GRI FLUE RISER
11	1183541	SHIELD, LEFT DRIP
12	1183542	SHIELD, RIGHT DRIP
13	Service	SUPPORT, CHRBRRLR GRATE
14	Service	SHIELD, REAR DRIP
15	Service	CHARBROILER W/A, 24
16	1183676	RADIANT W/A
17	1182657	GRATE, LAVA ROCK
**	1173193	LAVA ROCK BRIQUETTES, BAG
18	1178976	CHARBROILER GRID
**	1182838	PLATED FISH GRID

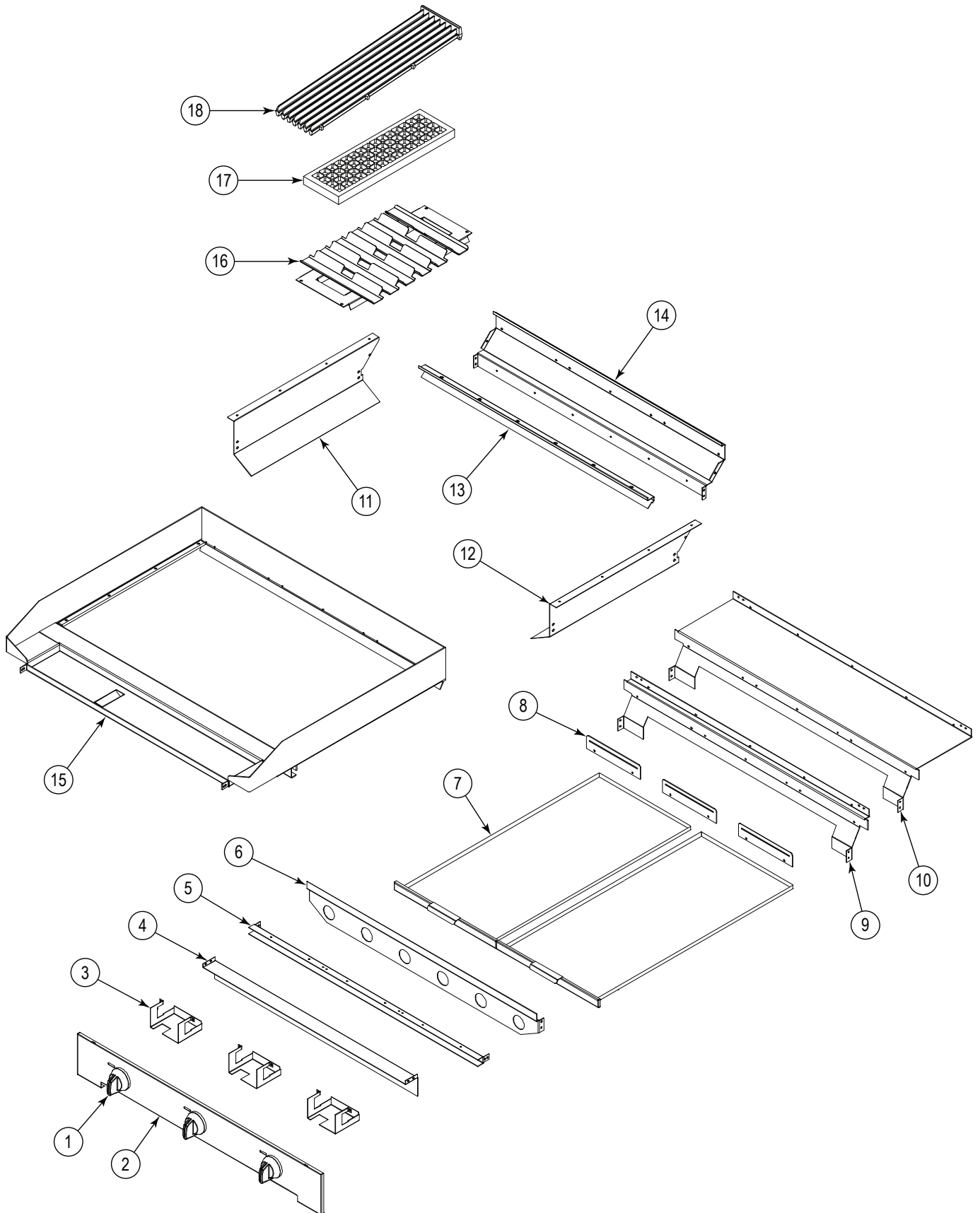
\* Quantity of part used may depend on width of section (12", 24", 36", or 48")

\* Service means call a Southbend Parts/Service Department (919-729-3129)

\*\* Not shown on drawing

Figure 5

### Charbroiler External and Structural Parts for 12", 24", 36", and 48" Models



### Wood Smoker External and Structural Parts for 36", 48", 60" and 72" Models

See drawing on following page

Key	Part Number	Description
1	Service	Base Assy, Cntrtop Smoker
2	1187826	Bracket, R. Smkr Tie Down
3	Service	Trim, inside L & R Smkr Box
4	Service	Shiled, Heat Diverter
5	Service	Valve Panel
6	1187819	Guide, smoker Drip Pan
7	1187818	Grease Drawer Smoker W/A
8	Service	Rack Wood Smoker (Cast Grate as of 1/1/14)
9	Service	Box W/A, Smoker
10	Service	Tray, Water/Catch (Tray weld assembly support and outer tray as of 1/1/14)
11	Service	Burner Box Bottom, Smoker
12	Service	Platinum Stand
13	Service	Trim, Smoker Opening Finish
14	Service	Trim, Smoker Rear Body
15	Service	Side, Smoker L & R Body
16	Service	Diverter, R Smoker Grease
17	1187112	Grease Catch, LT & RT
18	Service	Panel, Smoker Box Rear
19	1186884	Bracket, Mounting
**	Service	Trim, Smoker Front Center
**	1188495	Hickory Wood Chunks 10lb Bag
**	1188496	Mesquite Wood Chunks 10lb Bag
20	1188509	Handle, Smoker Door Pull
21	Service	Door, Smoker Box

\* Quantity of part used may depend on width of section (36",48",60", or 72")

\* Service means call a Southbend Parts/Service Department (919-762-1000)

\*\* Not shown on drawing

Figure 6

### Wood Smoker External and Structural Parts for 36", 48", 60" and 72" Models

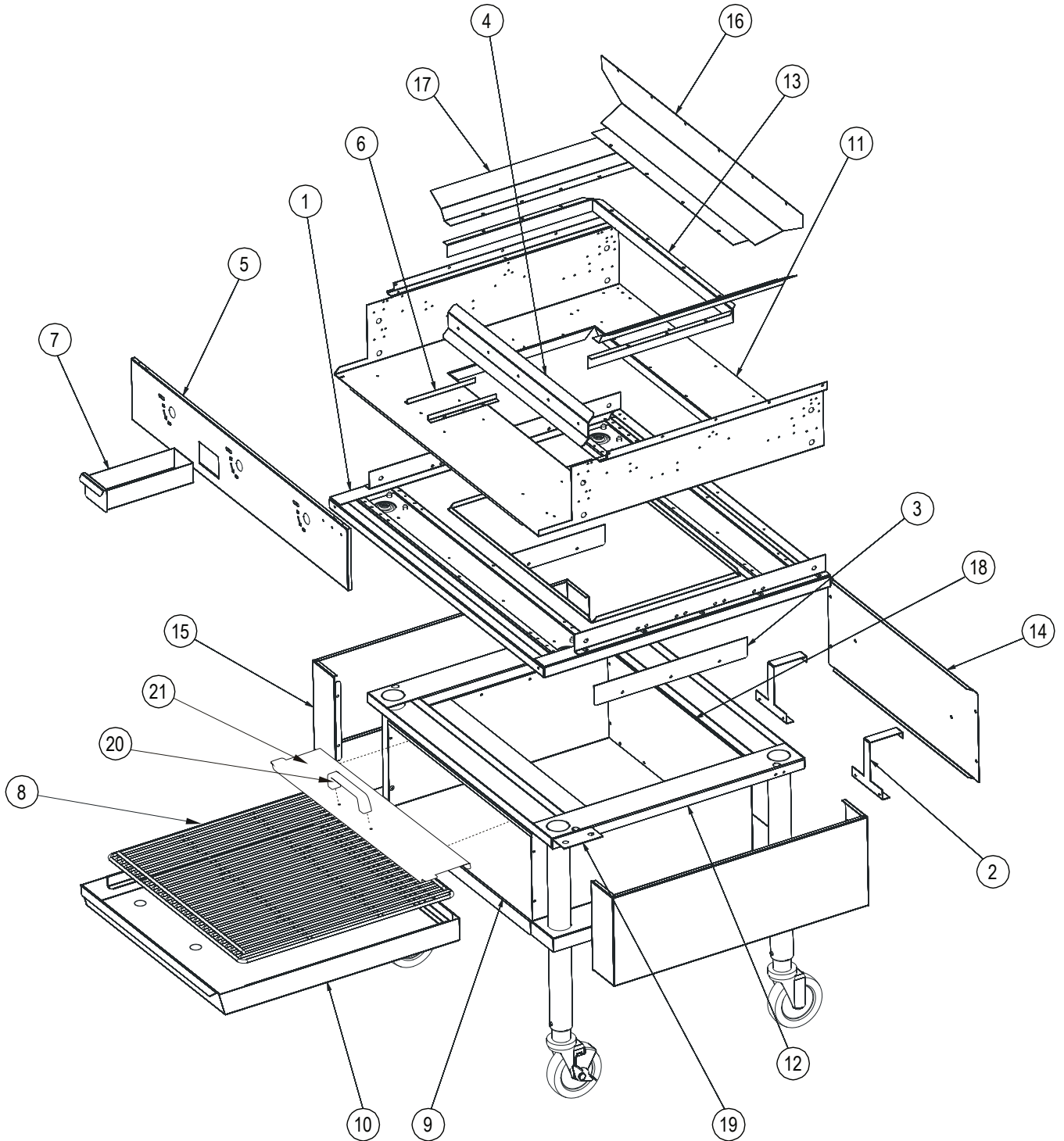
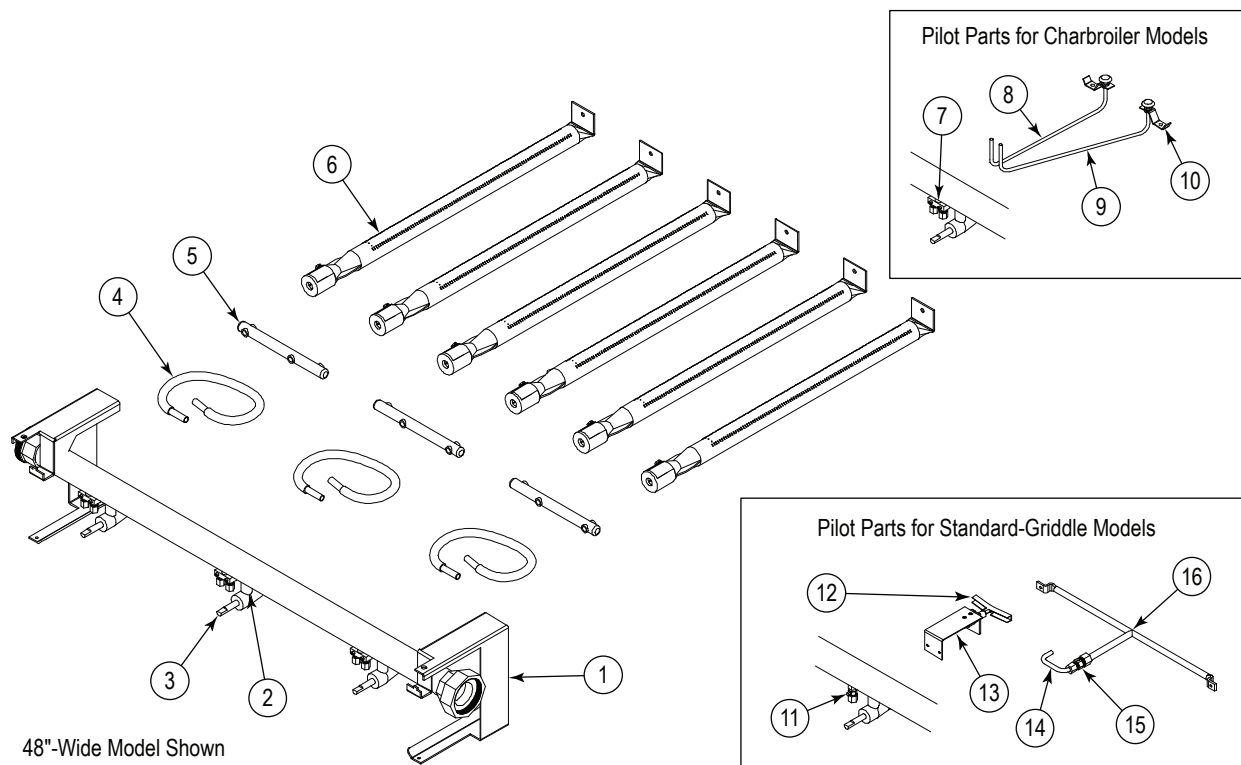


Figure 7

### Charbroiler and Standard-Griddle Gas Train Parts



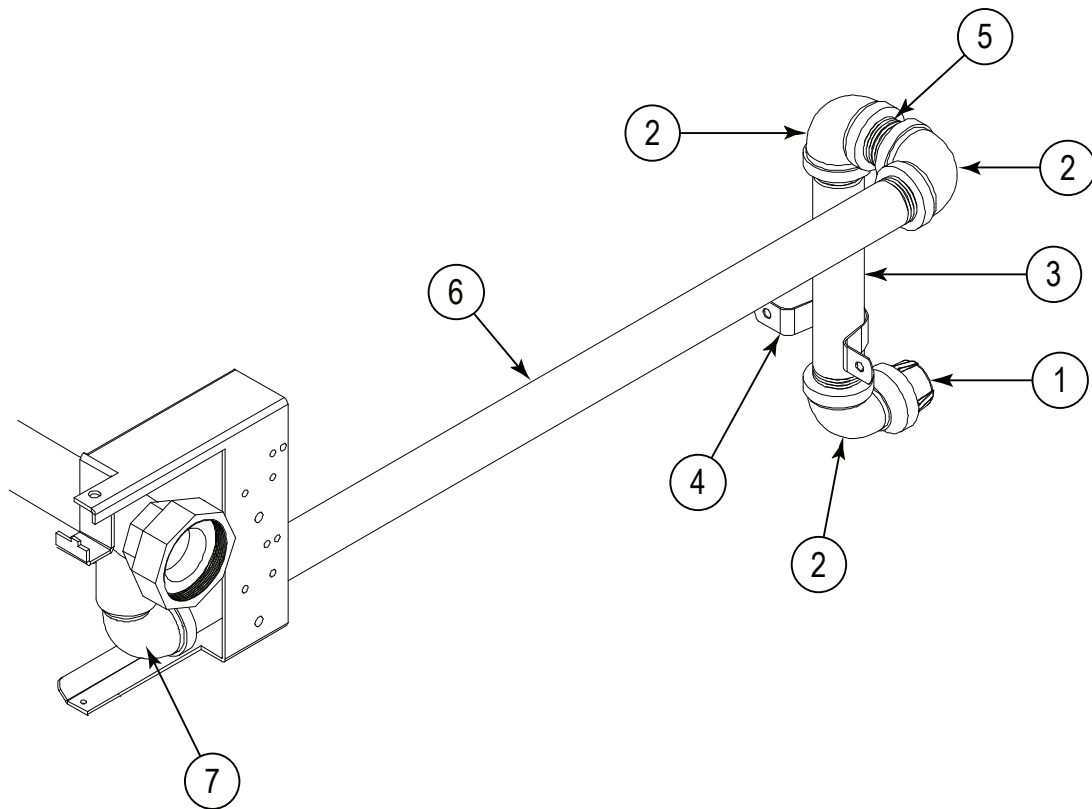
Key	Part Number	Description
1	Service	MANIFOLD W/A, CHAR/GRI SECT
2	<a href="#">1179222</a>	NIPPLE, EXTENSION
3	<a href="#">1176008</a>	VALVE, BURNER, NAT
4	<a href="#">1183503</a>	TUBE, 3/8" X 9" FLEXIBLE
5	Service	MANIFOLD, DUAL BURNER ORIFICE
**	<a href="#">1008748</a>	ORIFICE, NAT GAS (if appliance will operate above 2000 ft, contact Southbend for appropriate orifice size)
**	<a href="#">1008756</a>	ORIFICE, PROPANE (if appliance will operate above 2000 ft, contact Southbend for appropriate orifice size)
6	<a href="#">1182762</a>	BURNER ASSEMBLY, CHARBROILER
7	<a href="#">1166004</a>	FITTING, DOUBLE PILOT, 3/16" TUBE
8	<a href="#">1184505</a>	TUBE W/A, CHAR. LEFT PILOT
9	<a href="#">1184506</a>	TUBE W/A, CHAR. RIGHT PILOT
10	<a href="#">1182821</a>	BRACKET, PILOT
11	<a href="#">1099002</a>	PILOT ADJUST
**	<a href="#">1184541</a>	PILOT GAS TUBE
12	<a href="#">1183687</a>	ASSEMBLY, PILOT SHIELD
13	<a href="#">1183681</a>	BRACKET, PILOT
14	<a href="#">1183573</a>	TUBE, RUNNER TUBE ORIFICE
15	<a href="#">1183584</a>	FITTING, NAT 3/8 REDUCER
16	<a href="#">1183536</a>	TUBE ASSEMBLY, PILOT RUNNER

\* Quantity of part used may depend on width of section (12", 16", 24", 36", or 48")

\* Service means call a Southbend Parts/Service Department (919-762-1000)

\*\* Not shown on drawing

Figure 8

**Gas Connection Parts**

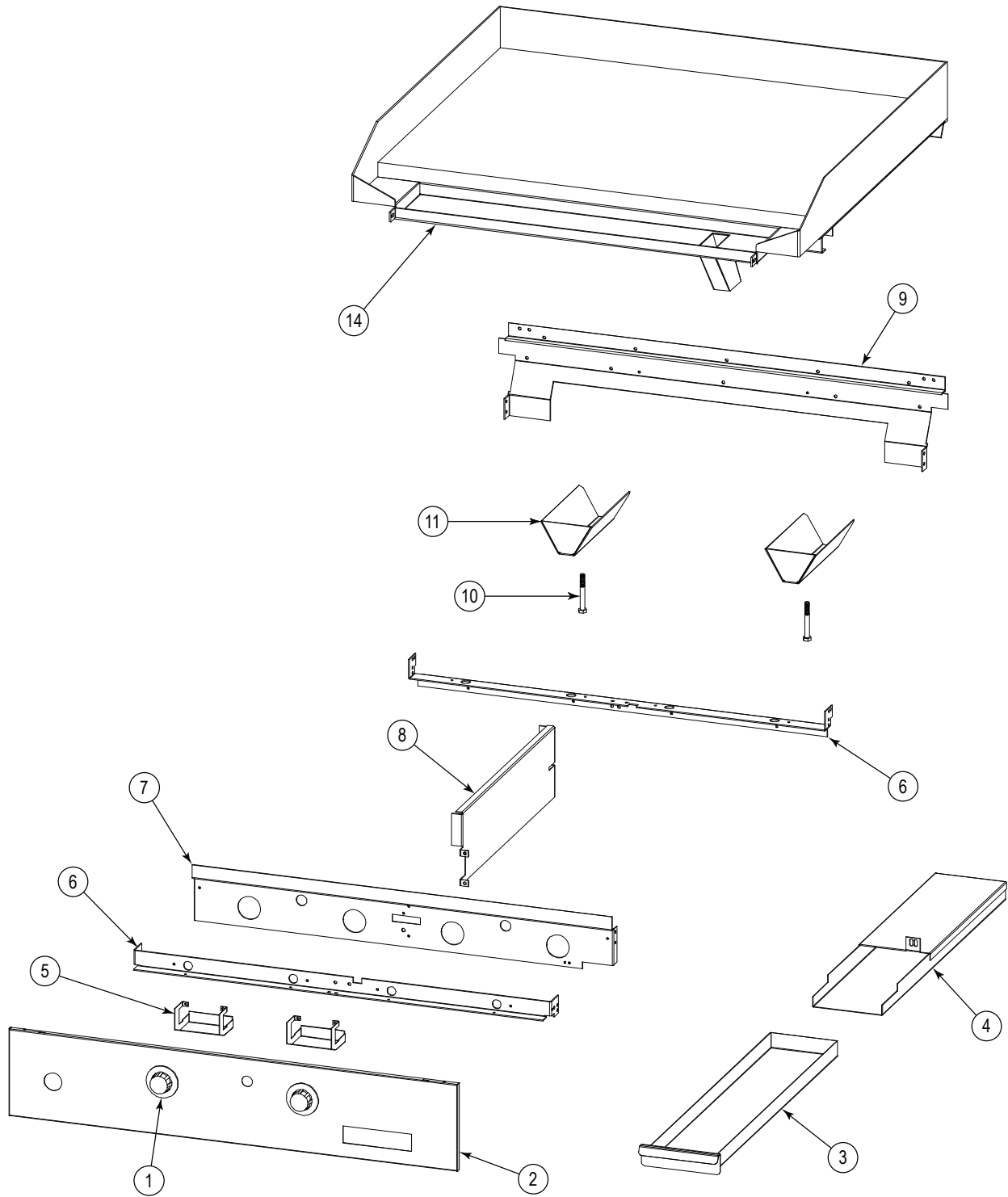
Key	Part Number	Description
1	<a href="#">1147005</a>	1" PIPE CAP
2	<a href="#">1146905</a>	1" 90 DEGREE ELBOW
3	<a href="#">1163489</a>	REAR GAS STUB
4	<a href="#">1184777</a>	STRAP, 1-1/4" PIPE
5	<a href="#">1146808</a>	1" PIPE NIPPLE
6	<a href="#">1174747</a>	TAIL PIPE
	<a href="#">1185827</a>	TAIL PIPE FOR BBB MODELS
7	<a href="#">1146911</a>	ELBOW, ST., BLK, 1" 90 DEGREE
**	<a href="#">4450009</a>	PRESSURE REGULATOR 1-1/4" 2,500,000 BTU NAT
**	<a href="#">4450010</a>	PRESSURE REGULATOR 1-1/4" 2,500,000 BTU LP
**	<a href="#">1167782</a>	PRESSURE REGULATOR 1" 600,000 BTU NAT
**	<a href="#">1167783</a>	PRESSURE REGULATOR 1" 600,000 BTU LP
**	<a href="#">4450008</a>	1-1/4" GAS SHUT OFF VALVE
**	<a href="#">4450007</a>	1" GAS SHUT OFF VALVE
**	<a href="#">1130195</a>	1" QUICK DISCONNECT, 48" FLEX HOSE
**	<a href="#">1130194</a>	1" QUICK DISCONNECT, 60" FLEX HOSE

\*\* Not shown on drawing.

<b>Griddle External and Structural Parts</b>		
<b>See drawing on following page</b>		
<b>Key</b>	<b>Part Number</b>	<b>Description</b>
1	1189600	KNOB [for standard, non-thermostatic griddles]
	1182156	KNOB ASM, VALVE
2	Service	VALVE PANEL
3	Service	GREASE DRAWER W/A
4	Service	GREASE DRAWER BASE W/A
5	1184773	COVER, VALVE SHIELD
6	Service	BURNER REST, CHAR/GRI
7	Service	SHIELD, GRIDDLE HEAT
8	1183685	BURNER BOX DIVIDER
9	Service	TRIM, CHAR/GRI FLUE RISER
**	Service	TRIM, 42 DEEP CHAR/GRI FLUE RISER
10	1146383	BOLT, HEX, 5/16-18X2-1/2 LG (thermostatic griddles only)
11	1183692	SHIELD, T'STAT BULB (thermostatic griddles only)
12	Service	GRIDDLE W/A
**	1189809	1.5 V IGNITOR
**	1189818	1.5 V AAA BATTERY
**	1190508	ELECTRODE 17"
* Quantity of part used may depend on width of section (12", 16", 18", 32", 36", or 48") * Service means call a Southbend Parts/Service Department (919-762-1000) ** Not shown on drawing		

Figure 9

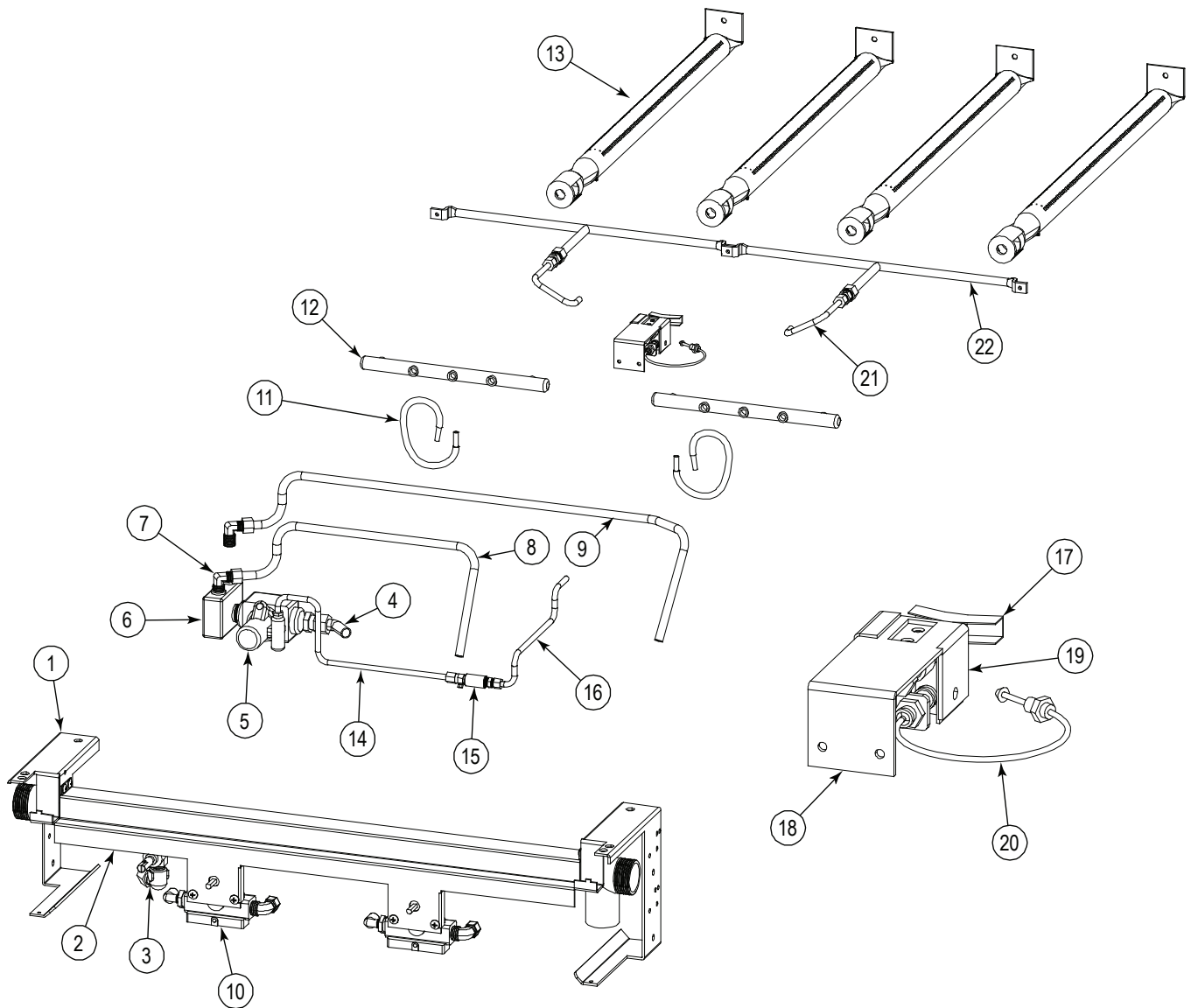
### Griddle External and Structural Parts



Thermostatic Griddle Gas Train Parts		
See drawing on following page		
Key	Part Number	Description
1	Service	MANIFOLD W/A, CHAR/GRI SECT
2	Service	SUPPORT, THERMOSTAT
3	1183549	VALVE, 200K BURNER
4	Service	TUBE, SAFETY VALVE
5	1185536	SAFETY VALVE
	1185537	SAFETY VALVE
6	1185538	MANIFOLD BOX
7	1166150	ELBOW, BRASS
8	Service	TUBE, LEFT ON/OFF GAS
**	1184395	TUBE, MIDDLE ON/OFF GAS
9	Service	TUBE, RIGHT ON/OFF GAS
10	1182553	SNAP ACTION GRIDDLE THERMOSTAT - Check temperature setting
11	1183503	TUBE, 3/8" X 9" FLEXIBLE
12	Service	MANIFOLD, DUAL BURNER ORIFICE
**	1008748	ORIFICE, NAT GAS (if appliance will operate above 2000 ft, contact Southbend for appropriate orifice size)
**	1008756	ORIFICE, PROPANE (if appliance will operate above 2000 ft, contact Southbend for appropriate orifice size)
13	1182762	BURNER ASSEMBLY, CHARBROILER
14	Service	TUBE, T-GRID LT PILOT ADJUST
15	1164085	VALVE ASM, PILOT
16	Service	TUBE, T-GRID RT PILOT ADJUST
17	1183686	ASSEMBLY, PILOT
18	Service	BRACKET, PILOT
19	Service	BRACKET, PILOT SIDE
20	1182580	THERMOCOUPLE, 24 IN
21	1183573	TUBE, RUNNER TUBE ORIFICE
22	1183536	TUBE ASSEMBLY, PILOT RUNNER
**	1189809	1.5 V IGNITOR
**	1189818	1.5 V AAA BATTERY
**	1190508	ELECTRODE 17"
* Quantity of part used may depend on width of section (16", 18", 24", 32", 36", or 48") * Service means call a Southbend Parts/Service Department (919-762-1000) ** Not shown on drawing		

Figure 10

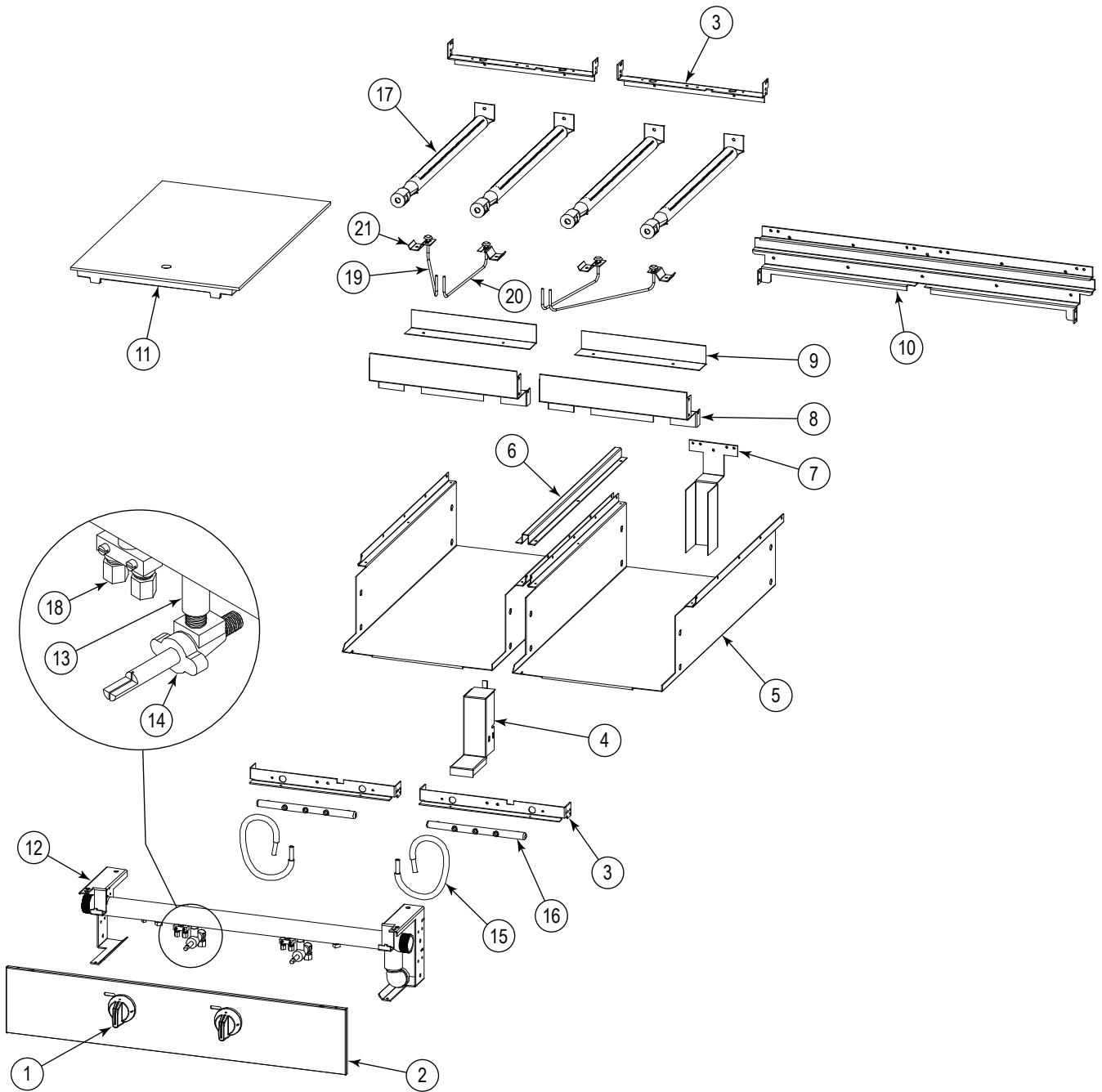
## Thermostatic Griddle Gas Train Parts



<b>Uniform Hot-Top Parts</b>		
<b>See drawing on following page</b>		
<b>Key</b>	<b>Part Number</b>	<b>Description</b>
1	1189600	KNOB
2	Service	VALVE PANEL
3	Service	BRACKET, ORIFICE, BURNER REST
4	1184551	COVER, BATTERY CENTER
5	Service	BURNER BOX BOTTOM
6	1183563	TRIM, CENTER
7	1184545	COVER, HOT TOP DIVIDER REAR
8	Service	SHIELD, HOT TOP HEAT
9	Service	BAFFLE, BURNER REST
10	Service	TRIM, HOT TOP FLUE RISER
**	Service	TRIM, HOT TOP 42 DEEP FLUE RISER
11	1019601	PLATE, UNIFORM HEATED TOP
	1183515	PLATE, UNIFORM HEATED TOP
12	Service	MANIFOLD ASM, UNIFORM H/TOP
13	1179222	NIPPLE, EXTENSION
14	1176008	VALVE, BURNER, NAT
15	1183503	TUBE, 3/8" X 9" FLEXIBLE
16	Service	MANIFOLD, DUAL BURNER ORIFICE
**	1008750	ORIFICE, NAT GAS (if appliance will operate above 2000 ft, contact Southbend for appropriate orifice size)
**	1008756	ORIFICE, PROPANE (if appliance will operate above 2000 ft, contact Southbend for appropriate orifice size)
17	1182762	BURNER ASSEMBLY, CHARBROILER
18	1166004	FITTING, DOUBLE PILOT, 3/16" TUBE
19	1184505	TUBE W/A, CHAR. LEFT PILOT
20	1184506	TUBE W/A, CHAR. RIGHT PILOT
21	1187594	BRACKET, PILOT
**	1189810	1.5 V IGNITOR 2-POSITION
**	1189818	1.5 V AAA BATTERY
**	1190507	ELECTRODE 25"
* Quantity of part used may depend on width of section (12", 16, 24", 32", or 36") * Service means call a Southbend Parts/Service Department (919-762-1000) ** Not shown on drawing		

Figure 11

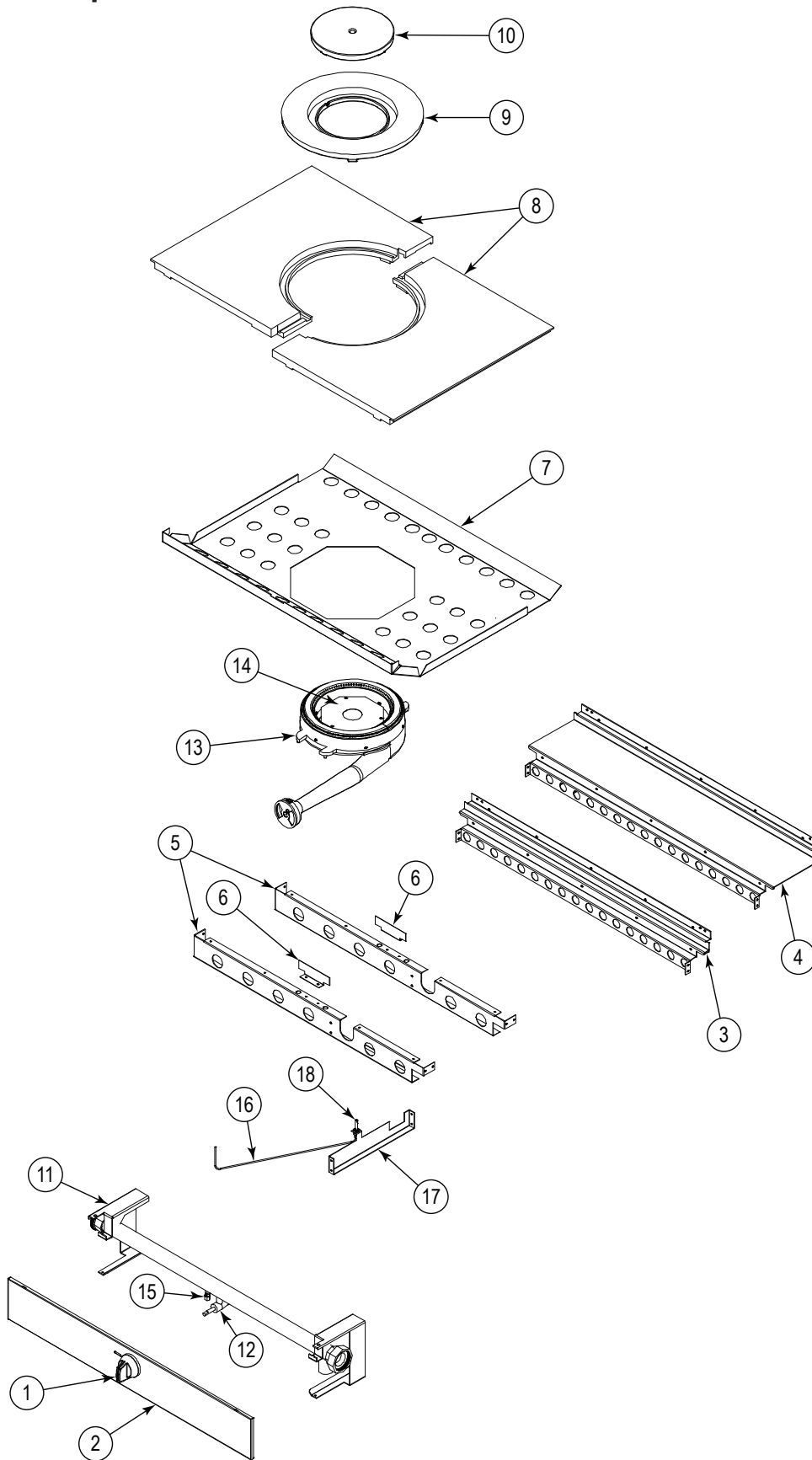
### Uniform Hot-Top Parts



<b>Graduated-Hot-Top Parts</b>		
<b>See drawing on following page</b>		
<b>Key</b>	<b>Part Number</b>	<b>Description</b>
1	1189600	KNOB
2	Service	VALVE PANEL, 32A/D-GRAD, SS (oven base)
3	Service	TRIM, FLUE RISER
4	Service	TRIM, 42 DEEP FLUE RISER
5	Service	BURNER REST, GRADUATED
6	1183959	BRACKET, BURNER HOLD DOWN
7	Service	SHIELD, GRADUATED BURNER
8	Service	PLATE, GRADUATED HEAT TOP
9	1018997	PS, GRIDDLE, CSTIR, RING, GRAD
10	1018996	PS, GRIDDLE, CSTIR, LID.GRAD.
11	Service	MANIFOLD W/A, GRADUATED H/TOP
12	1176016	BURNER VALVE, NAT
*	1006425	ORIFICE, NAT GAS (if appliance will operate above 2000 ft, contact Southbend for appropriate orifice size)
	1006443	ORIFICE, PROPANE (if appliance will operate above 2000 ft, contact Southbend for appropriate orifice size)
13	1884	HOT TOP BRNR ASM
14	1160293	BAFFLE, TOP BURNER AIR
15	1099002	PILOT ADJUST
16	1164199	TUBE, PILOT
17	1183964	BRACKET, PILOT ASSEMBLY
18	1038099	ASSEMBLY, PILOT
**	1189810	1.5 V IGNITOR 2-POSITION
**	1189818	1.5 V AAA BATTERY
**	1190507	ELECTRODE 25"
* Quantity of part used may depend on width of section (32" or 36") * Service means call a Southbend Parts/Service Department (919-762-1000) ** Not shown on drawing		

Figure 12

### Graduated-Hot-Top Parts



<b>Oven Base Parts</b>		
<b>See drawing on following page</b>		
<b>Key</b>	<b>Part Number</b>	<b>Description</b>
1	1180776	BAFFLE W/A OVEN BOTTOM/FLAME
2	1180528	RACK GUIDE
3	6600	CLIP, SIDE RACK SUPPORT
4	1186598	POWER SWITCH
5	1186599	ON/OFF FUN SWITCH, (FOR CO OVEN)
6	1189754	KNOB, OVEN THERMOSTAT
7	1191727	THERMOSTAT (UNITS FOR STANDING PILOT)
	1189744	THERMOSTAT (UNITS FOR ELECTRIC IGNITION)
	1194698	THERMOSTAT (UNITS WITH STANDING PILOTS, 650 DEGREE OVEN)
8	1195100	DOOR, ASM 36 OVEN
9	1186547	SPRING, WIRE
10	1195098	ASM, LEFT DOOR CHAIN SWITCH CO OVEN
	1195092	ASM, DOOR CHAIN, STD OVEN
11	1195097	BRACKET ASM, LEFT ROLLER
12	1191734	ASM, PULLEY AND BUSHING
13	1195149	DOOR SWITCH, S/A LEFT
	1177567	SWITCH DOOR OVEN
14	1189812	TUBE, FLEX, 3/8 X 4"
15	1188788	COMBINATION VALVE, 120V/60 (UNITS WITH STANDING PILOTS)
16	1185333	SOLENOID & VALVE, 120V60 (UNITS WITH ELECTRONIC IGNITION)
17	1187476	TUBE, FLEX, 3/8 X 4"
18	1183568	BRACKET ORIFICE
19	1187994	BURNER & PILOTS, ASM OVEN NATURAL (UNITS WITH STANDING PILOT)
	1187993	BURNER & PILOTS, ASM OVEN PROPANE (UNITS WITH STANDING PILOT)
20	1194918	BURNER & PILOTS, ASM OVEN NATURAL (UNITS WITH ELECTRONIC IGNITION)
	1183567	BURNER & PILOTS, ASM OVEN PROPANE (UNITS WITH ELECTRONIC IGNITION)
	1165733	BURNER FOR ABOVE ASSEMBLIES
21	1187672	PILOT TUBE (UNITS WITH STANDING PILOT)
22	1185851	PILOT TUBE (UNITS WITH AUTO IGNITION)
23	1199917	PILOT, GAS OVEN, NATURAL
	1168263	PILOT, GAS OVEN PROPANE
24	1186218	PILOT SHIELD (UNITS WITH STANDING PILOT)
25	1183504	PILOT SHIELD BRACKET (UNITS WITH ELECTRONIC IGNITION)
26	5373-1	IGNITION MODULE
27	1164087	ELECTRODE (UNITS WITH ELECTRONIC IGNITION)
28	1176099	VALVE, BURNER
29	1164148	ELBOW, FEMALE 3/8 NPT X 3/8CC

Figure 13

Oven Base Parts

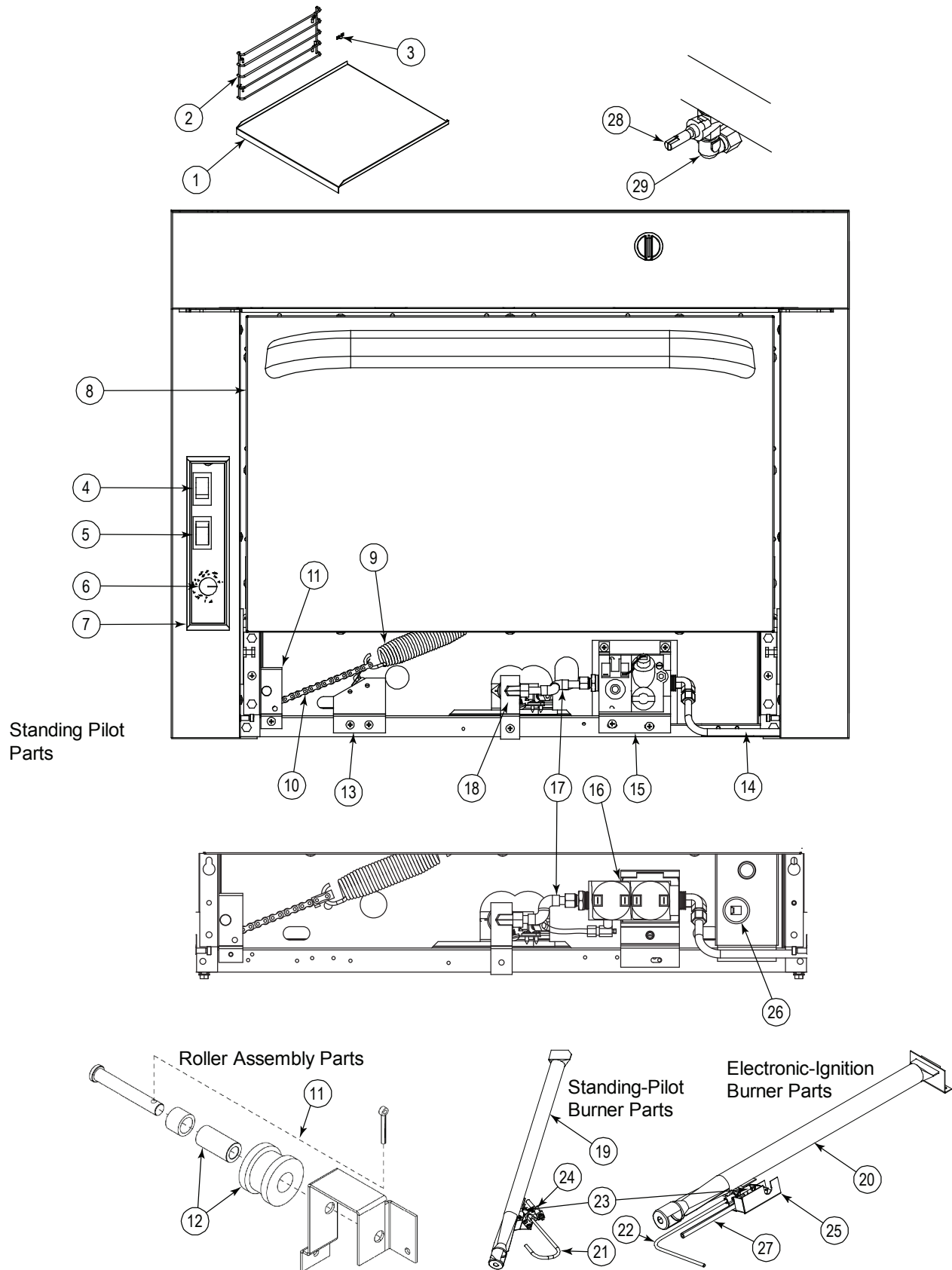
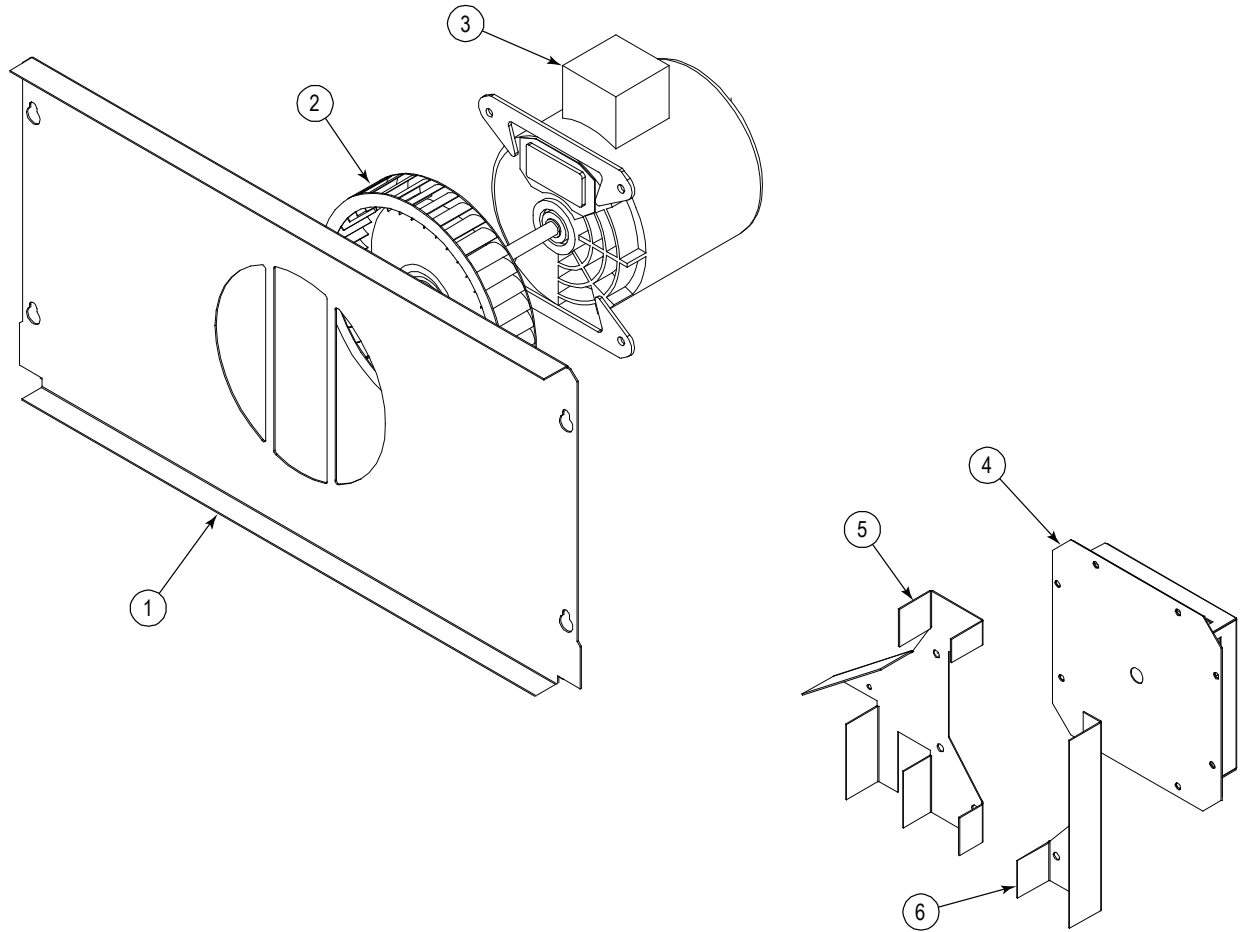


Figure 14

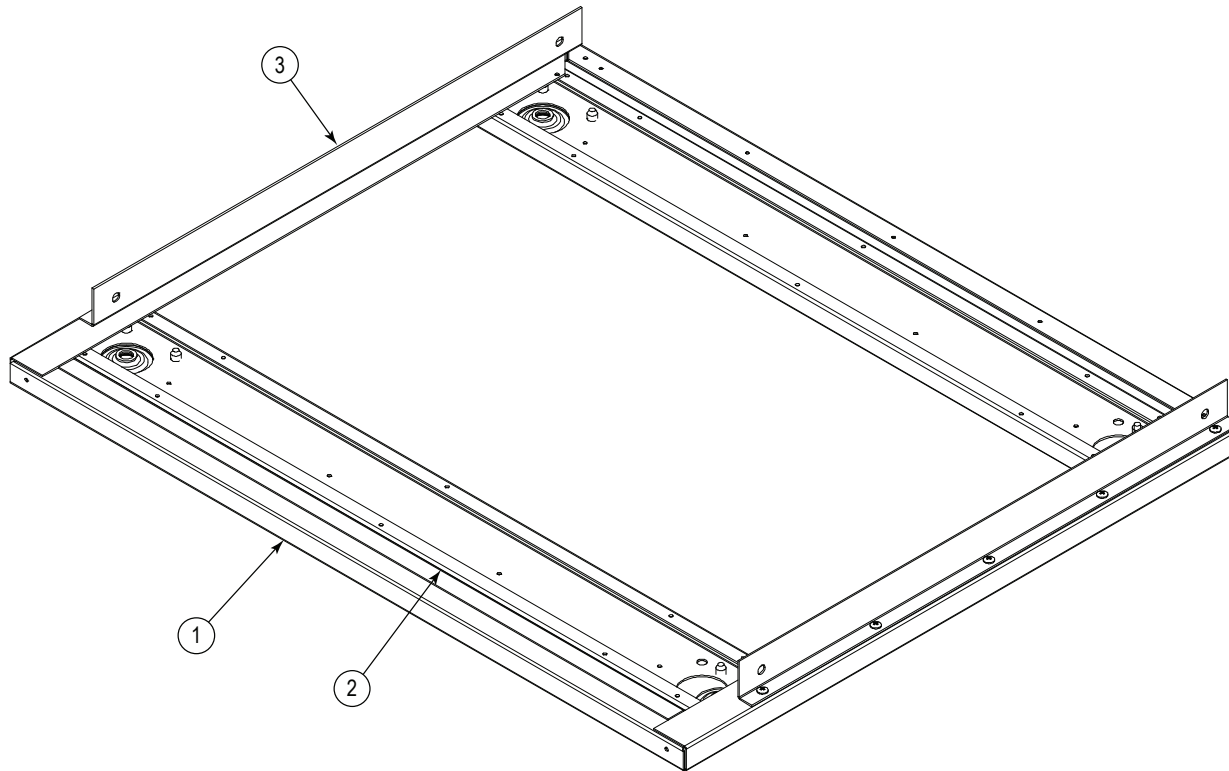
### Convection Oven Blower Parts



Key	Part Number	Description
1	1180834	OVEN BAFFLE CO
2	1177581	BLOWER WHEEL ASSEMBLY
3	1194780	MOTOR, 1/2 HP, 115 VOLT /
	1194781	MOTOR 1/2 HP, 208/240 VOLT
4	1180821	POCKET W/A, BLOWER, 500 SERIES
5	1181747	SHIELD, RT BLOWER, 500 SERIES
6	1181748	SHIELD, LT BLOWER, 500 SERIES

Figure 15

## Modular-Countertop Base Parts



See drawing on following page

Key	Part Number	Description
1	Service	BASE, COUNTERTOP
2	Service	STIFFENER, BASE
3	1183640	RETAINER, MODULAR TOP

\*\* Not shown on drawing

<b>Cabinet-Base Parts</b>		
<b>See drawing on following page</b>		
<b>Key</b>	<b>Part Number</b>	<b>Description</b>
1	Service	CABINET LINING ASM, LT FT
2	Service	CABINET LINING ASM, RT FT
3	Service	CABINET LINING, BOTTOM
4	1183563	TRIM, CENTER
5	Service	CABINET LINING, LEFT
6	Service	CABINET LINING, RIGHT
7	Service	CABINET LINING, BACK
**	1183983	HINGE ASSEMBLY, UPPER RIGHT
**	1183984	HINGE ASSEMBLY, LOWER RIGHT
**	1183985	HINGE ASSEMBLY, UPPER LEFT
**	1183986	HINGE ASSEMBLY, LOWER LEFT
* Quantity of part used may depend on width of section (12", 16", 18", 24", 32", 36" or 48") * Service means call a Southbend Parts/Service Department (919-762-1000) ** Not shown on drawing		

Figure 16

### Cabinet-Base Parts

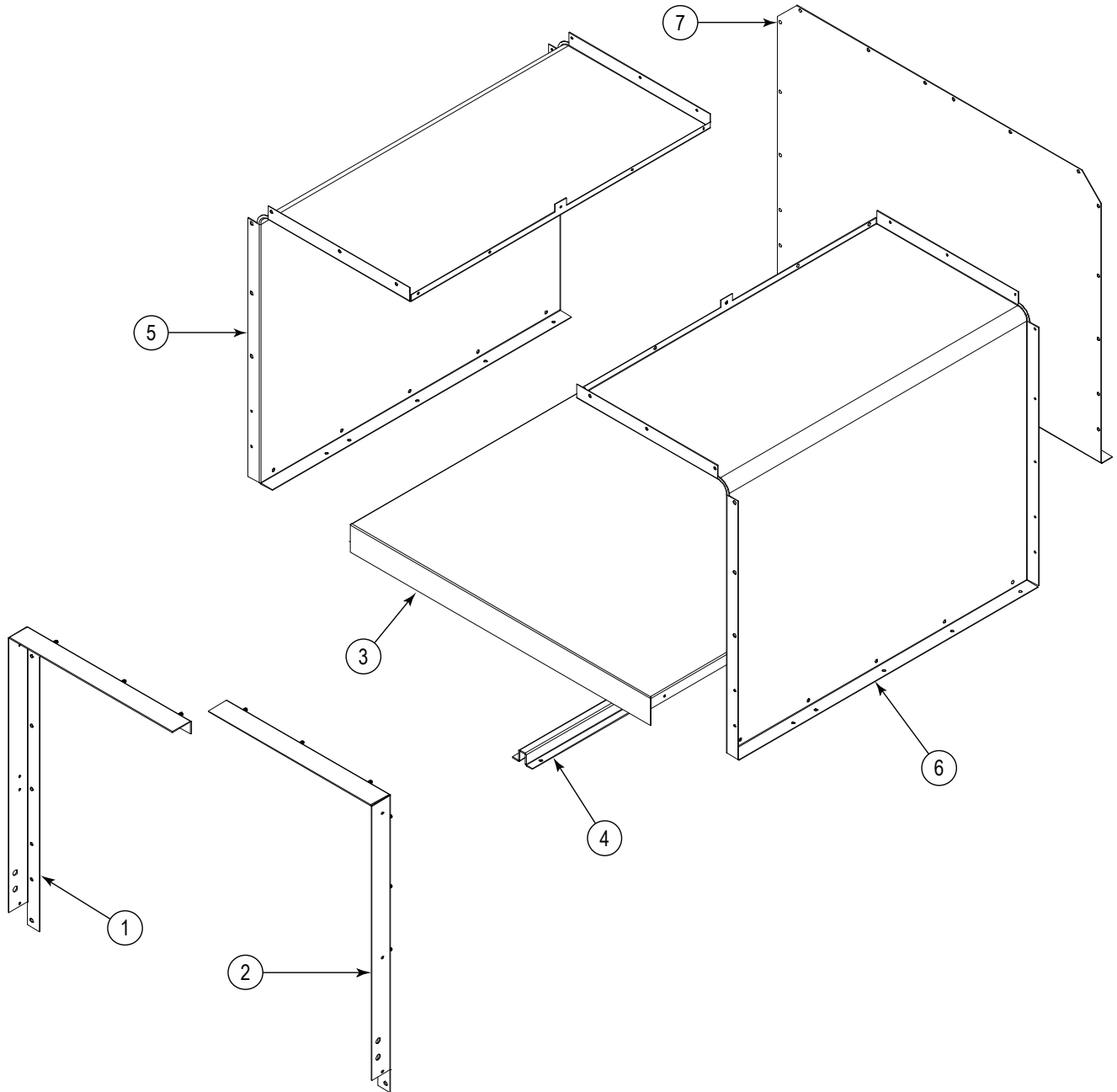
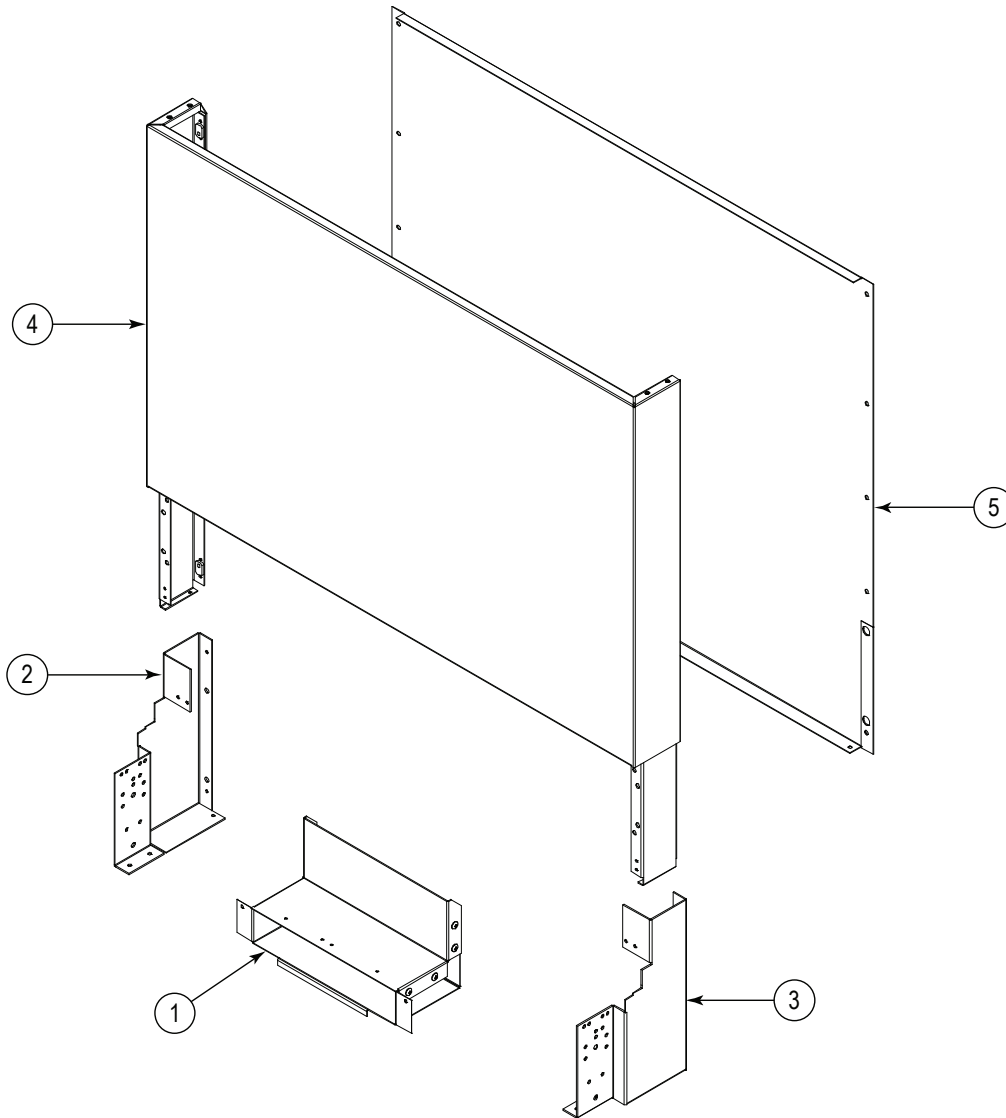


Figure 17

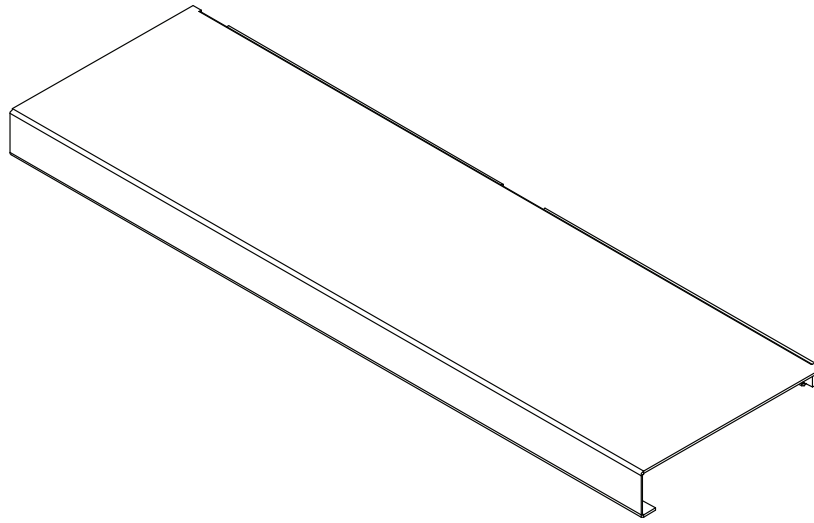
**Flue Riser Parts**



See drawing on following page

Key	Part Number	Description
1	<a href="#">1183617</a>	FLUE BOX ASSEMBLY (for models with an oven base)
2	<a href="#">1183526</a>	BRACKET, 36 DEEP LT FLUE RISER
	<a href="#">1183528</a>	BRACKET, 42 DEEP LT FLUE RISER
3	<a href="#">1183527</a>	BRACKET, 36 DEEP RT FLUE RISER
	<a href="#">1183529</a>	BRACKET, 42 DEEP RT FLUE RISER
4	Service	SPLASHER, 5" [height] Splasher Heights 5", 24", 36" X (All widths)
5	Service	SHIELD, 5" Shield Heights 5", 24", 36" X (All width)

Figure 18

**Front-Rail Parts**

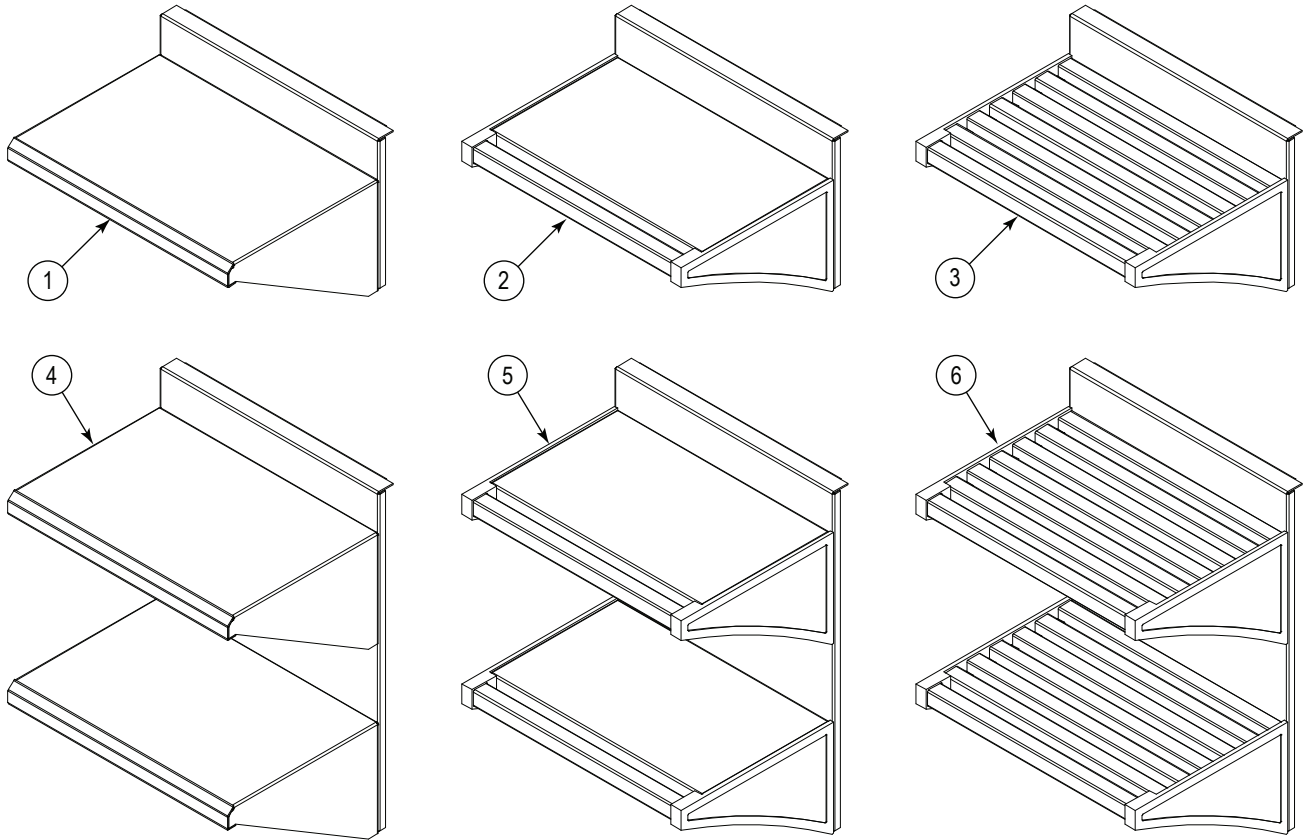
See drawing on following page

Part Number	Description
Service	FRONT RAIL, 7-1/4"
Service	FRONT RAIL, 9-1/4" (split-top)
Service	FRONT RAIL, 7-1/4" (split-top)
Service	FRONT RAIL, 9-1/4"

\* Service means call a Southbend Parts/Service Department (919-762-1000)

Figure 19

**Shelf Parts**



See drawing on following page

Key	Part Number	Description
1	Service	SINGLE SOLID SHELF ASM
2	Service	SINGLE TRAY SHELF ASM
3	Service	SINGLE TUBE SHELF ASM
4	Service	DOUBLE SOLID SHELF ASM
5	Service	DOUBLE TRAY SHELF ASM
6	Service	DOUBLE TUBE SHELF ASM

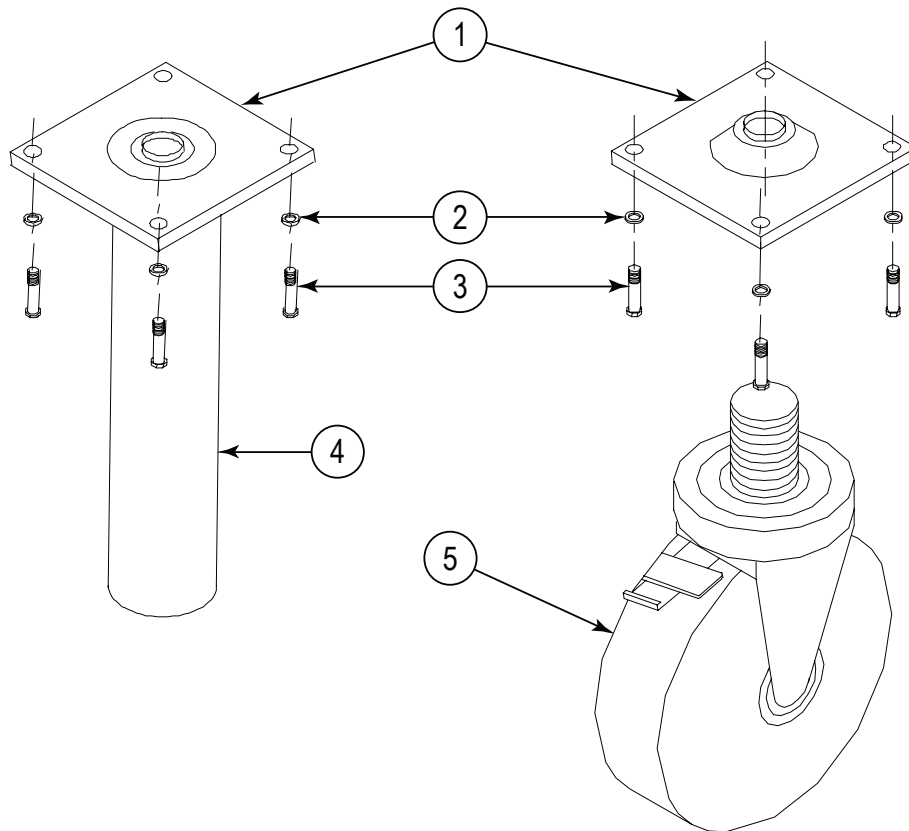
## Side Panel and Battery-Assembly Parts

See drawing on following page

Part Number	Description
1189760	BODY SIDE, RIGHT
1189759	BODY SIDE, LEFT
1189765	TRIM, 32 CABINET, RT
1189755	TRIM, 32 CABINET, LT
1189766	TRIM, 32 CABINET OPEN, RT
1189756	TRIM, 32 CABINET OPEN, LT
1189761	TRIM, 32 OVEN, RT
1188775	TRIM, 32 OVEN, LT
1189762	TRIM, 32 OVEN OPEN, RT
1188749	TRIM, 32 OVEN OPEN, LT
1189767	TRIM, 36 CABINET, RT
1189757	TRIM, 36 CABINET, LT
1189768	TRIM, 36 CABINET OPEN, RT
1189758	TRIM, 36 CABINET OPEN, LT
1189763	TRIM, 36 OVEN, RT
1188757	TRIM, 36 OVEN, LT
1189764	TRIM, 36 OVEN OPEN, RT
1188762	TRIM, 36 OVEN OPEN, LT
1183665	TRIM, FRONT, CAB TO CAB
1183664	TRIM, FRONT, CAB TO 32 CAB
1188783	TRIM, FRONT, CAB TO 32 OVEN
1188794	TRIM, FRONT, CAB TO 36 OVEN
1184568	TRIM, FRONT, 32 OVEN TO CAB
1184569	TRIM, FRONT, 32 OVEN TO 32 CAB
1184571	TRIM, FRONT, 32 OVEN TO 36 CAB
1188784	TRIM, FRONT, 32 OVEN TO 32 OVEN
1189742	TRIM, FRONT, 32 OVEN TO 36 OVEN
1183666	TRIM, FRONT, 36 CAB TO CAB
1189741	TRIM, FRONT, 36 CAB TO 32 OVEN
1183669	TRIM, FRONT, 36 CAB TO 36 CAB
1188793	TRIM, FRONT, 36 CAB TO 36 OVEN
1183661	TRIM, FRONT, 36 OVEN TO CAB
1183660	TRIM, FRONT, 36 OVEN TO 32 CAB
1183658	TRIM, FRONT, 36 OVEN TO 36 CAB
1189743	TRIM, FRONT, 36 OVEN TO 32 OVEN
1188792	TRIM, FRONT, 36 OVEN TO 36 OVEN

Figure 20

### Leg and Caster Parts



### Leg and Caster Parts

See drawing on following page

Key	Part Number	Description
1	<a href="#">1172650</a>	LEG PAD (3/4 X 10 HOLE)
2	<a href="#">1146500</a>	1/4 LOCK WASHER
3	<a href="#">1146201</a>	1/4 X 30 X 3/4 HEX HEAD
4	<a href="#">1174260</a>	LEG PACKAGE (set of four legs, not including bolts, leg pads, or lock washers)
*	<a href="#">1174262</a>	EARTHQUAKE LEGS SS (set of four)
5	<a href="#">1174265</a>	CASTER PACKAGE (two casters with brake and two without brake; does not include bolts, lock washers, or leg pads)

Notes:

Notes:

# PLATINUM SERIES RANGE



A product with the Southbend name incorporates the best in durability and low maintenance. We all recognize, however, that replacement parts and occasional professional service may be necessary to extend the useful life of this appliance. When service is needed, contact a Southbend Authorized Service Agency, or your dealer. To avoid confusion, always refer to the model number, serial number, and type of your appliance.



Southbend  
1100 Old Honeycutt Road Fuquay-Varina, North Carolina 27526 USA  
[www.southbendnc.com](http://www.southbendnc.com)