



**IMPORTANT FOR FUTURE REFERENCE**  
Please complete this information and retain this manual for the life of the equipment:

Model #: \_\_\_\_\_  
Serial #: \_\_\_\_\_  
Date Purchased: \_\_\_\_\_

## Parts Manual

# Radiant Broilers



234R



P32D-3240

1100 Old Honeycutt Road Fuquay-Varina, North Carolina 27526 USA  
[www.southbendnc.com](http://www.southbendnc.com)

Replacement parts may be ordered either through a Southbend Authorized Parts Distributer or a Southbend Authorized Service Agency. It is recommended to verify parts numbs with a Southbend Authorized Parts Supplier or the Southbend Parts/Service Department prior to ordering parts.

## PARTS

The following tables and figures list serviceable parts. For parts that are not listed, contact a Southbend Authorized Parts Distributor or a Southbend Authorized Service Agency.

<b>Table of Contents</b>	
<b>Page Number</b>	<b>Description</b>
3	234R Broiler
5	<a href="#">3240</a> Broiler with Oven Base
6	Oven Base
8	Convection Oven Blower

**234R Broiler**

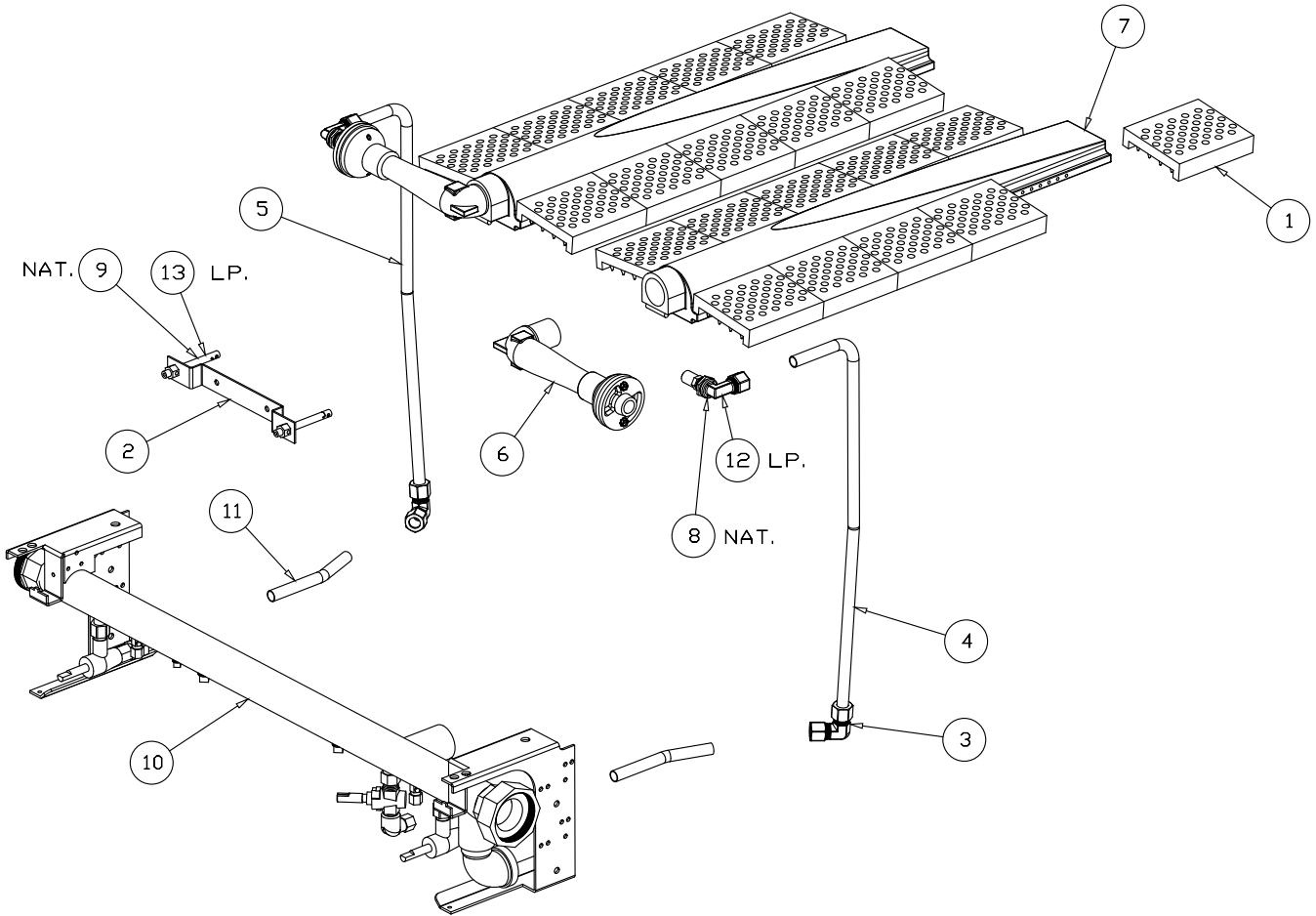
See drawing on following page

Key	Part Number	Description
1	<a href="#">1160532</a>	KNOB ASM, VALVE (OFF-HI-LOW)
2	<a href="#">1164093</a>	PILOT SUPPLY TOP
3	<a href="#">1166150</a>	FITTING 1/4 NPT X 3/8 CC ELBOW
4	<a href="#">1176014</a>	VALVE, BURNER NATURAL
5	<a href="#">1176664</a>	PILOT, NATURAL
6	<a href="#">1179080</a>	VALVE EXTENSION NIPPLE
7	<a href="#">1184380</a>	TUBE, LEFT BURNERS GAS SUPPLY
8	<a href="#">1184381</a>	TUBE, RIGHT BURNERS GAS SUPPLY
9	<a href="#">1184384</a>	PILOT ADJUST ASSEMBLY
10	<a href="#">1198098</a>	TUBE, RIGHT PILOT SUPPLY, 234R
11	<a href="#">1198099</a>	TUBE, LEFT PILOT SUPPLY, 234R
12	<a href="#">P5552</a>	FITTING 1/8NPT X 1/4CC STRAIGHT
13	<a href="#">P9827</a>	MANIFOLD, LEFT <1' X 43.150> 4 HOLES
14	<a href="#">P9828</a>	MANIFOLD, RIGHT <1' X 43.150> 4 HOLES
15	1072997	PIPE ASM, SUPPLY
16	<a href="#">1164080</a>	SA, SUPPLY MANIFOLD, NATURAL
17	<a href="#">1164081</a>	SA, SUPPLY MANIFOLD, PROPANE
18	<a href="#">1-5371</a>	CERAMIC 3 /3/4 X 4 1/4
19	<a href="#">1130399</a>	BURNER WELD ASSEMBLY, HI GLOW
20	<a href="#">1176665</a>	PILOT, PROPANE
21	<a href="#">1176015</a>	VALVE BURNER PROPANE



Figure 2

**3240 Broiler with Oven Base**

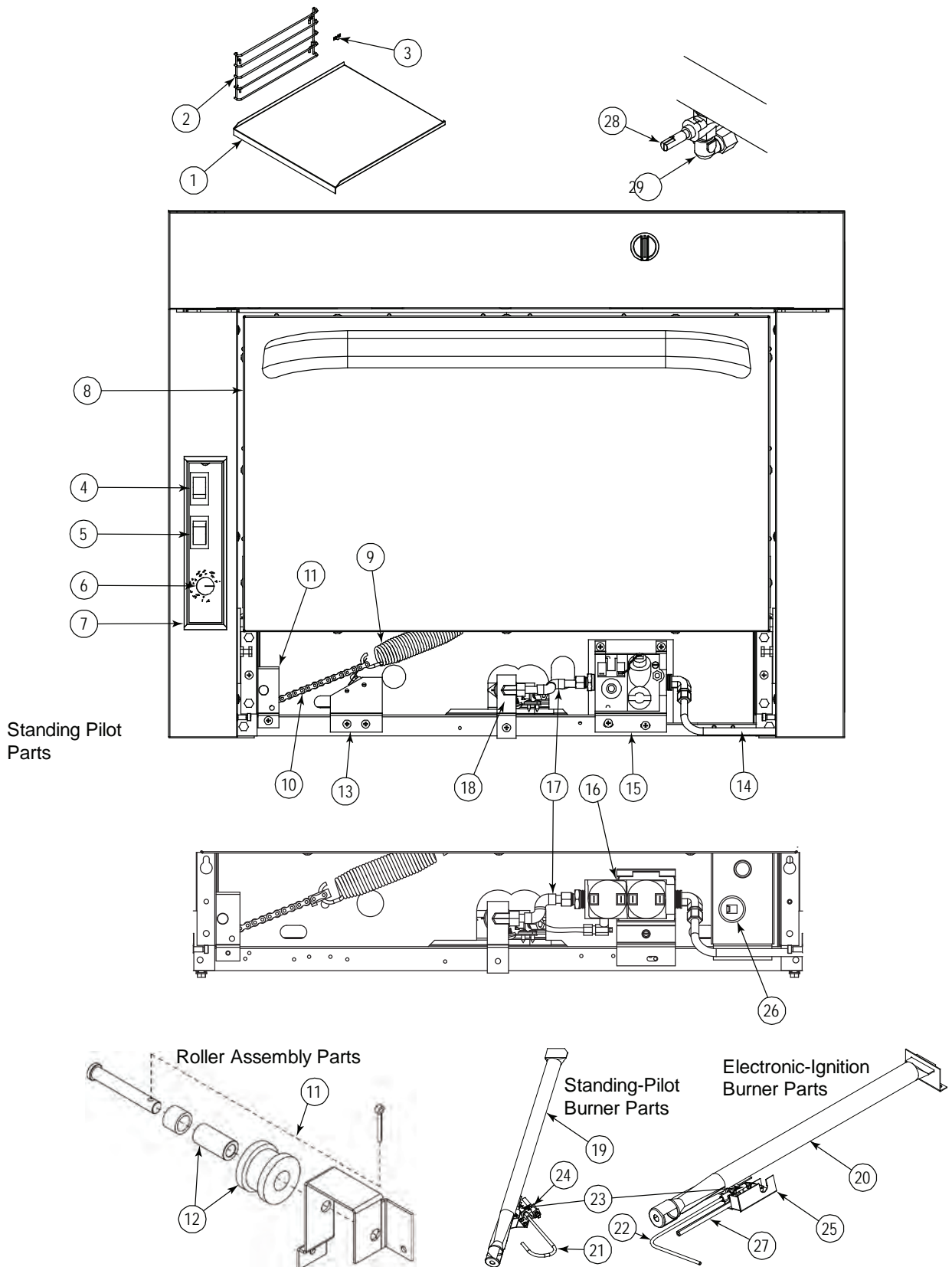


Key	Part Number	Description
1	<a href="#">1-5371</a>	TILE, CERAMIC
2	<a href="#">1-5394</a>	PILOT LIGHT, BRACKET
3	<a href="#">1060499</a>	ELBOW, BRASS ASSEMBLY
4	<a href="#">1074400</a>	TUBE RIGHT GAS SUPPLY
5	<a href="#">1074401</a>	TUBE LEFT GAS SUPPLY
6	<a href="#">1130398</a>	BURNER VENTURI ASSEMBLY, HI GLOW
7	<a href="#">1130399</a>	BURNER WELD ASSEMBLY, HI GLOW
8	<a href="#">1172995</a>	ORIFICE ASSY, BURNER (NATURAL)
9	<a href="#">1176664</a>	PILOT, NATURAL
10	<a href="#">1185451</a>	MANIFOLD ASSEMBLY, B32A/D-3240
11	<a href="#">1185662</a>	TUBE, BURNER B32D-3240
12	<a href="#">1007599</a>	FITTING, OVEN, ORIFICE, PROPANE
13	<a href="#">1176665</a>	PILOT, PROPANE

<b>Oven Base</b>		
<b>See drawing on following page</b>		
<b>Key</b>	<b>Part Number</b>	<b>Description</b>
1	1180776	BAFFLE W/A OVEN BOTTOM/FLAME
2	1180528	RACK GUIDE
3	6600	CLIP, SIDE RACK SUPPORT
4	1186598	POWER SWITCH
5	1186599	ON/OFF FUN SWITCH, (FOR CO OVEN)
6	1189754	KNOB, OVEN THERMOSTAT
7	1191727	THERMOSTAT (UNITS FOR STANDING PILOT)
	1189744	THERMOSTAT (UNITS FOR ELECTRIC IGNITION)
	1194698	THERMOSTAT (UNITS WITH STANDING PILOTS, 650 DEGREE OVEN)
8	1195100	DOOR, ASM 36 OVEN
9	1186547	SPRING, WIRE
10	1195098	ASM, LEFT DOOR CHAIN SWITCH CO OVEN
	1195092	ASM, DOOR CHAIN, STD OVEN
11	1195097	BRACKET ASM, LEFT ROLLER
12	1191734	ASM, PULLEY AND BUSHING
13	1195149	DOOR SWITCH, S/A LEFT
	1177567	SWITCH DOOR OVEN
14	1189812	TUBE, FLEX, 3/8 X 47"
15	1188788	COMBINATION VALVE, 120V/60 (UNITS WITH STANDING PILOTS)
16	1185333	SOLENOID & VALVE, 120V/60 (UNITS WITH ELECTRONIC IGNITION)
17	1187476	TUBE, FLEX, 3/8 X 47"
18	1183568	BRACKET ORIFICE
19	1187994	BURNER & PILOTS, ASM OVEN NATURAL (UNITS WITH STANDING PILOT)
	1187993	BURNER & PILOTS, ASM OVEN PROPANE (UNITS WITH STANDING PILOT)
20	1194918	BURNER & PILOTS, ASM OVEN NATURAL (UNITS WITH ELECTRONIC IGNITION)
	1183567	BURNER & PILOTS, ASM OVEN PROPANE (UNITS WITH ELECTRONIC IGNITION)
	1165733	BURNER FOR ABOVE ASSEMBLIES
	1187672	PILOT TUBE (UNITS WITH STANDING PILOT)
	1185851	PILOT TUBE (UNITS WITH AUTO IGNITION)
	1199917	PILOT, GAS OVEN, NATURAL
	1168263	PILOT, GAS OVEN PROPANE
	1186218	PILOT SHIELD (UNITS WITH STANDING PILOT)
	1183504	PILOT SHIELD BRACKET (UNITS WITH ELECTRONIC IGNITION)
	5373-1	IGNITION MODULE
	1164087	ELECTRODE (UNITS WITH ELECTRONIC IGNITION)
	1176099	VALVE, BURNER
	1164148	ELBOW, FEMALE 3/8 NPT X 3/8CC

Figure 3

Oven Base



Standing Pilot Parts

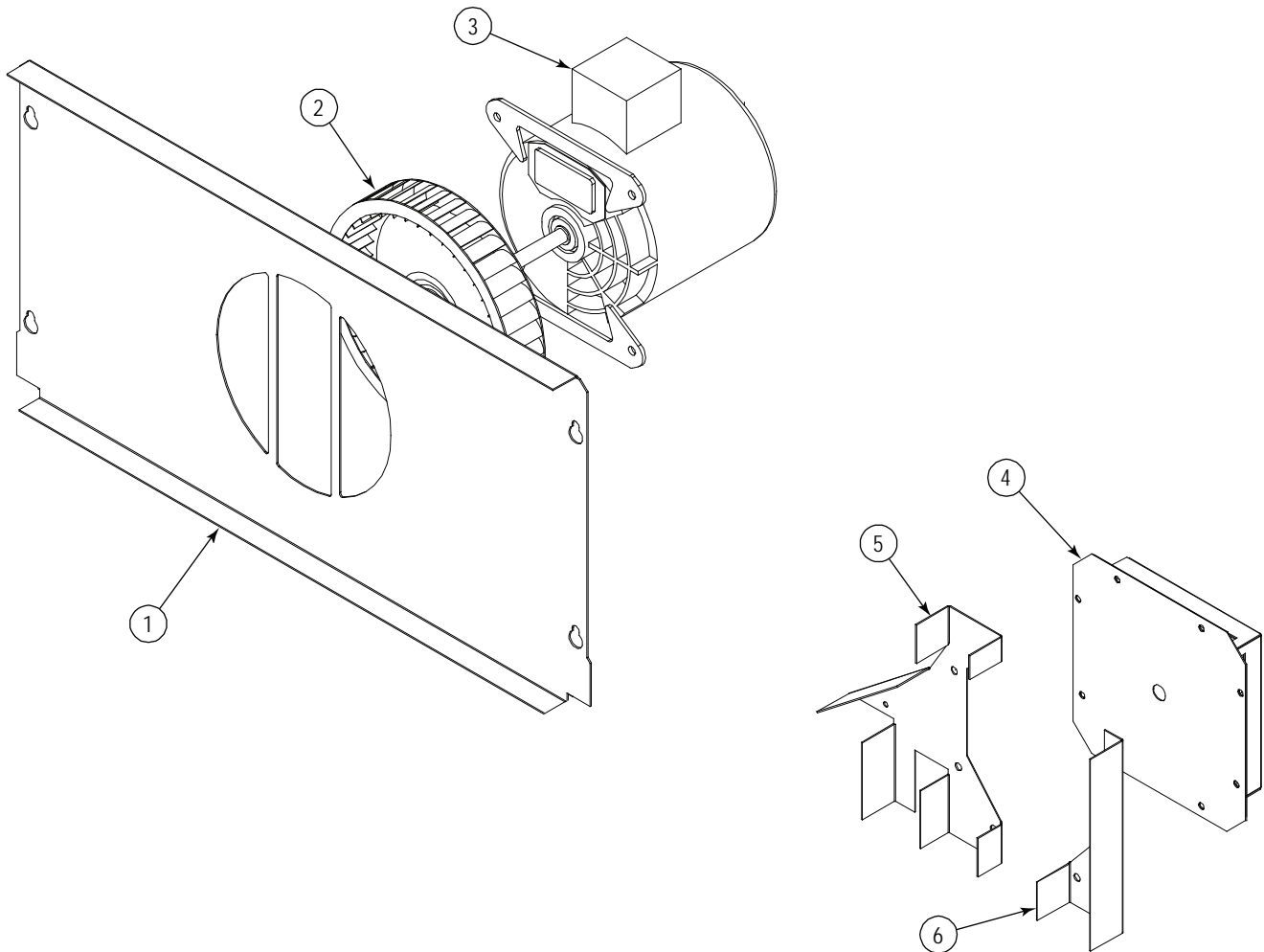
Roller Assembly Parts

Standing-Pilot Burner Parts

Electronic-Ignition Burner Parts

Figure 4

### Convection Oven Blower



Key	Part Number	Description
1	1180834	OVEN BAFFLE CO
2	1177520	BLOWER WHEEL
3	1194780	MOTOR, 1/2 HP, 115 VOLT
4	1194781	208/240 VOLT
5	1180821	POCKET W/A, BLOWER, 500 SERIES
6	1181747	SHIELD, RT BLOWER, 500 SERIES
7	1181748	SHIELD, RT BLOWER, 500 SERIES

## RADIANT BROILER PARTS

Notes:

Notes:

## RADIANT BROILER PARTS

Notes:

# RADIANT BROILERS



A product with the Southbend name incorporates the best in durability and low maintenance. We all recognize, however, that replacement parts and occasional professional service may be necessary to extend the useful life of this appliance. When service is needed, contact a Southbend Authorized Service Agency, or your dealer. To avoid confusion, always refer to the model number, serial number, and type of your appliance.



Southbend  
 1100 Old Honeycutt Road Fuquay-Varina, North Carolina 27526 USA  
[www.southbendnc.com](http://www.southbendnc.com)