



IMPORTANT FOR FUTURE REFERENCE
Please complete this information and retain this manual for the life of the equipment:

Model #: _____
Serial #: _____
Date Purchased: _____

Parts Manual

Infrared Cheesemelter



1100 Old Honeycutt Road Fuquay-Varina, North Carolina 27526 USA
www.southbendnc.com



Replacement parts may be ordered either through a Southbend Authorized Parts Distributer or a Southbend Authorized Service Agency. It is recommended to verify parts numbs with a Southbend Authorized Parts Supplier or the Southbend Parts/Service Department prior to ordering parts.

PARTS

The following tables and figures list serviceable parts. For parts that are not listed, contact a Southbend Authorized Parts Distributor or a Southbend Authorized Service Agency.

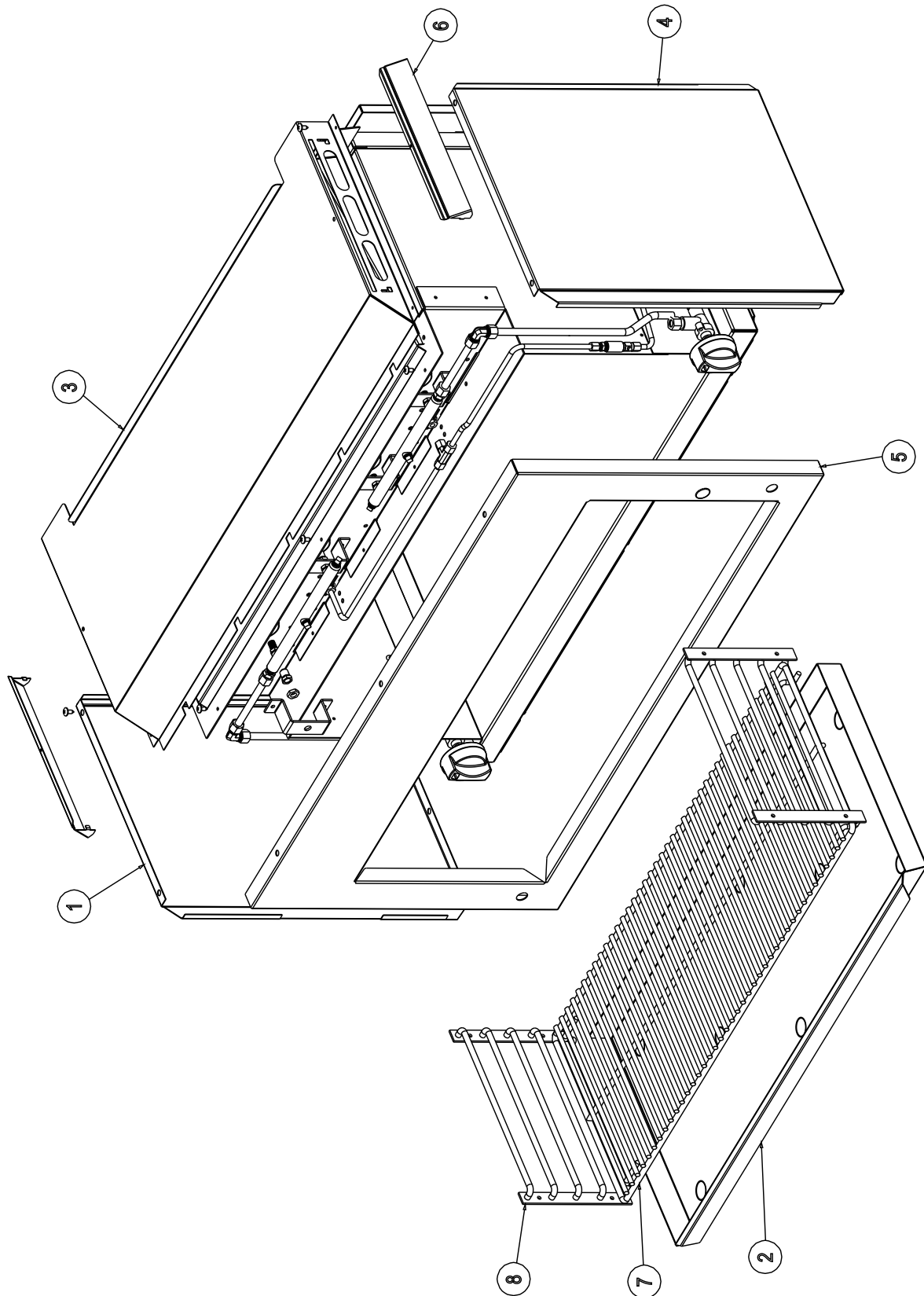
Table of Contents	
Page Number	Description
3	Infrared Cheesemelter
5	Gas Supply



Infrared Cheesemeleter		
See drawing on following page		
Key	Part Number	Description
1	1183202	BODY SIDE, LEFT
2	Service	GREASE DRAWER
3	Service	COVER
4	1183323	BODY SIDE, RIGHT
5	Service	FRONT BODY
6	1187770	SHIELD, SPLASH
7	Service	RACK, CHROME
8	1187785	RACK GUIDE, 5 POSITION
* Quantity of part used may depend on width of section (24", 32", 36", 48", 60" & 72") * Service means call a Southbend Parts/Service Department (919-729-1000) ** Not shown on drawing		

Figure 1

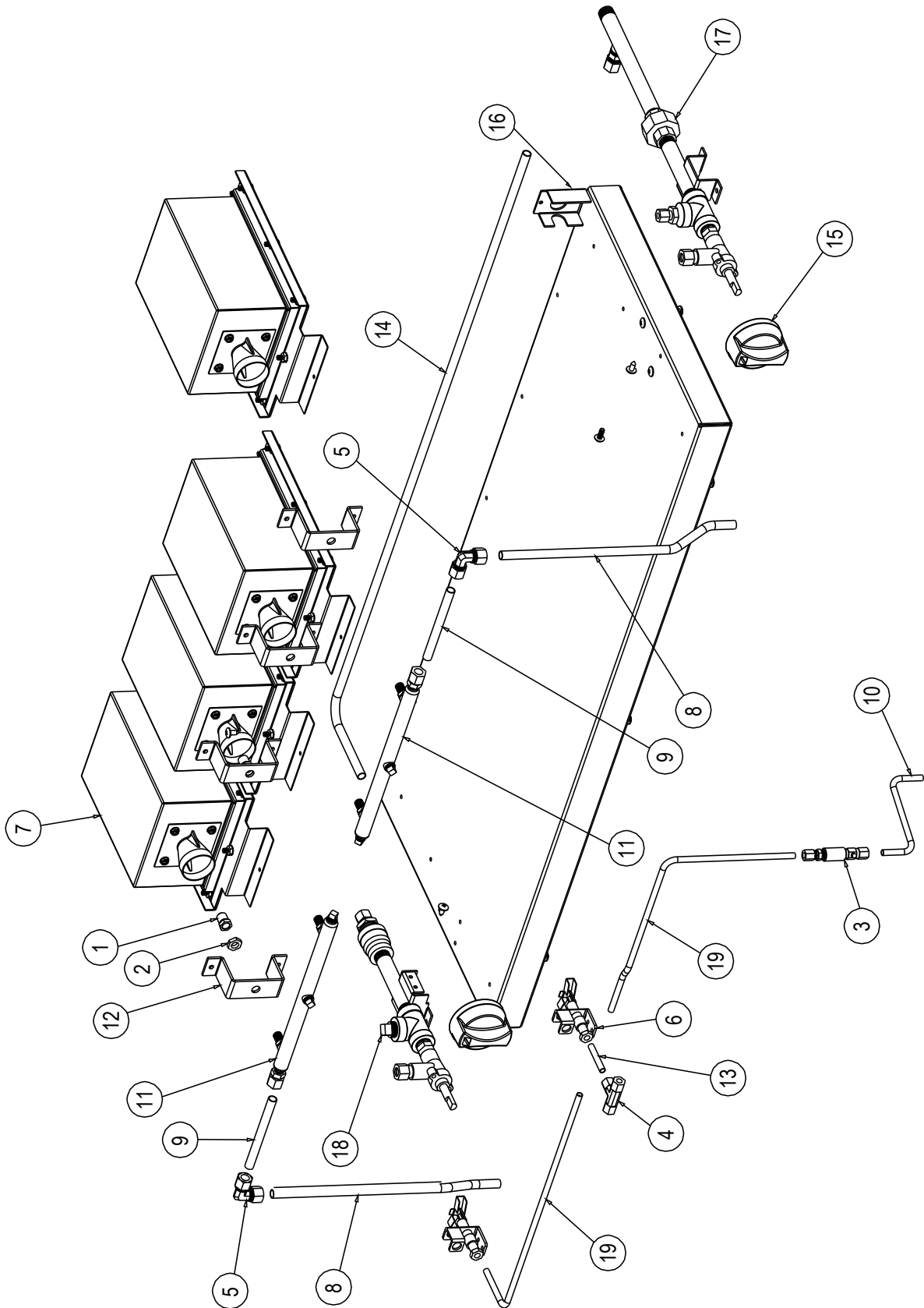
Infrared Cheesemelter



Gas Supply		
See drawing on following page		
Key	Part Number	Description
1	1008754	ORIFICE HOOD, DRILL # 54 (NATURAL)
	1008764	ORIFICE HOOD, DRILL # 64 (PROPANE)
2	1148301	NUT, BRASS JAM
3	1164085	VALVE ASSEMBLY, PILOT
4	1173524	TEE, 1/4 TUBE COMPR ALL DIRECT
5	1180558	ELBOW 3/8 CC BRASS
6	1182628	PILOT ASM
7	1183246	ASSEMBLY, BURNER
8	1183248	TUBE, BURNER SUPPLY, VERT
9	Service	TUBE, BURNER SUPPLY, HORIZ
10	1183264	TUBE, FLEX 1/4" X 9"
11	Service	ASSEMBLY, MANIFOLD
12	1183332	BRACKET, ORIFICE
13	1185152	TUBE 1/4"
14	Service	TUBE, VALVE SUPPLY
15	1189600	KNOB, SECTIONAL
16	1190775	BRACKET, TAILPIPE
17	1195454	ASSEMBLY, MANIFOLD SUPPLY, NATURAL (RIGHT)
	1195457	ASSEMBLY, MANIFOLD SUPPLY, PROPANE (RIGHT)
18	1195455	ASSEMBLY, MANIFOLD SUPPLY, NATURAL (LEFT)
	1195449	ASSEMBLY, MANIFOLD SUPPLY, PROPANE (LEFT)
19	1183310	TUBE, FLEX 1/4" X 15"
<p>* Quantity of part used may depend on width of section (24", 32", 36", 48", 60" & 72") * Service means call a Southbend Parts/Service Department (919-729-1000) ** Not shown on drawing</p>		

Figure 2

Gas Supply



INFRARED CHEESEMELTER

Notes:

Notes:



INFRARED CHEESEMELTER

Notes:

INFRARED CHEESEMELTER



A product with the Southbend name incorporates the best in durability and low maintenance. We all recognize, however, that replacement parts and occasional professional service may be necessary to extend the useful life of this appliance. When service is needed, contact a Southbend Authorized Service Agency, or your dealer. To avoid confusion, always refer to the model number, serial number, and type of your appliance.



Southbend
1100 Old Honeycutt Road Fuquay-Varina, North Carolina 27526 USA
www.southbendnc.com