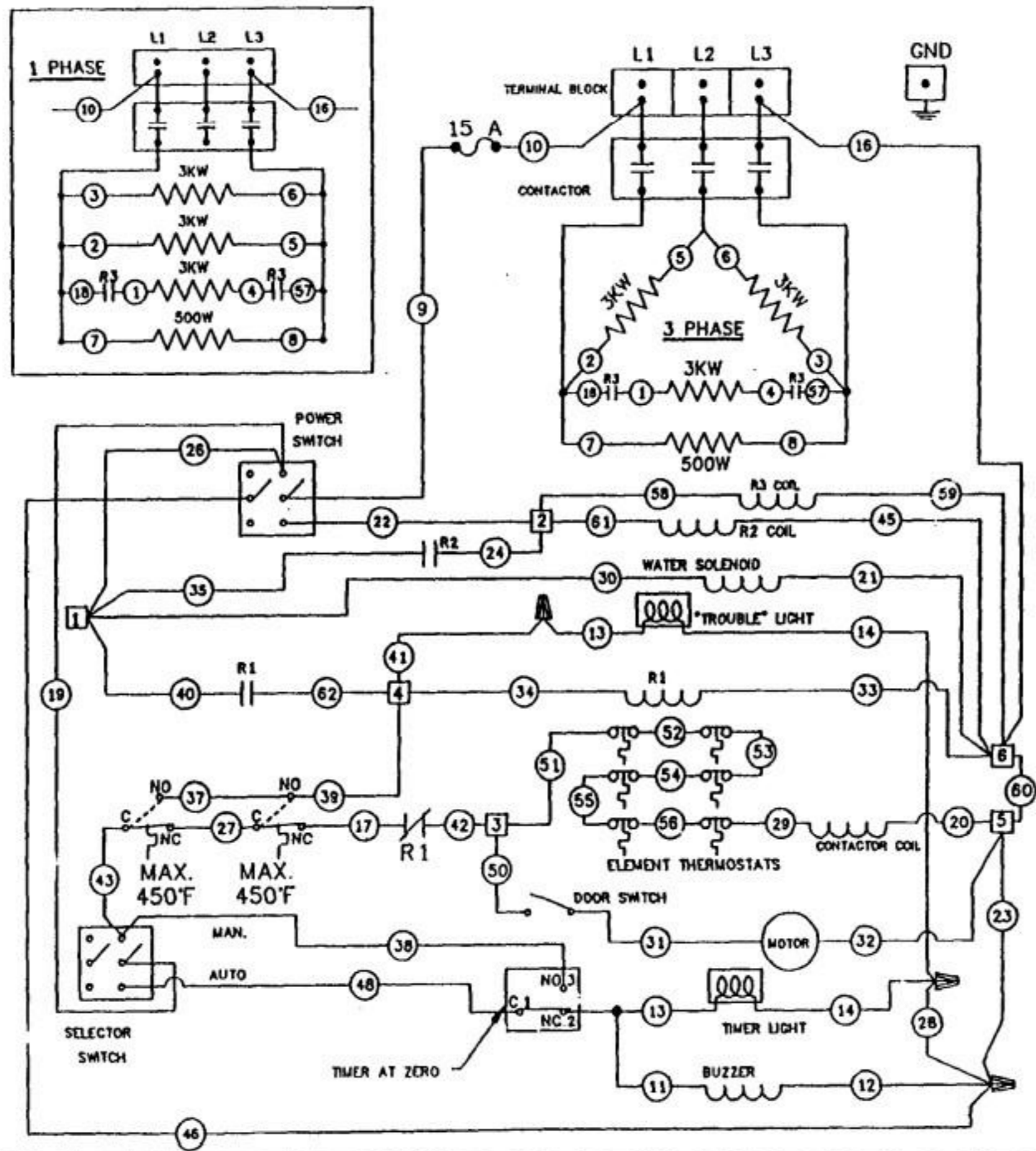


SCHMATIC DIAGRAM



**SOUTHBEND
WIRING DIAGRAM**

**U.S. WIRING DIAGRAM FOR SOUTHBEND MODEL 2001/DUAL POWER—with Element Thermostats
9.6 KW / 6.5 KW 60 HZ**

P/N 1173452