

PARTS LIST

STEAM COIL GENERATORS

MODELS: CSC-24
CSC-36



1100 Old Honeycutt Road
Fuquay-Varina, NC 27526
(919) 552-9161
FAX (919) 552-9798
(800) 348-2558

PARTS LIST
CABINET 28" HEIGHT

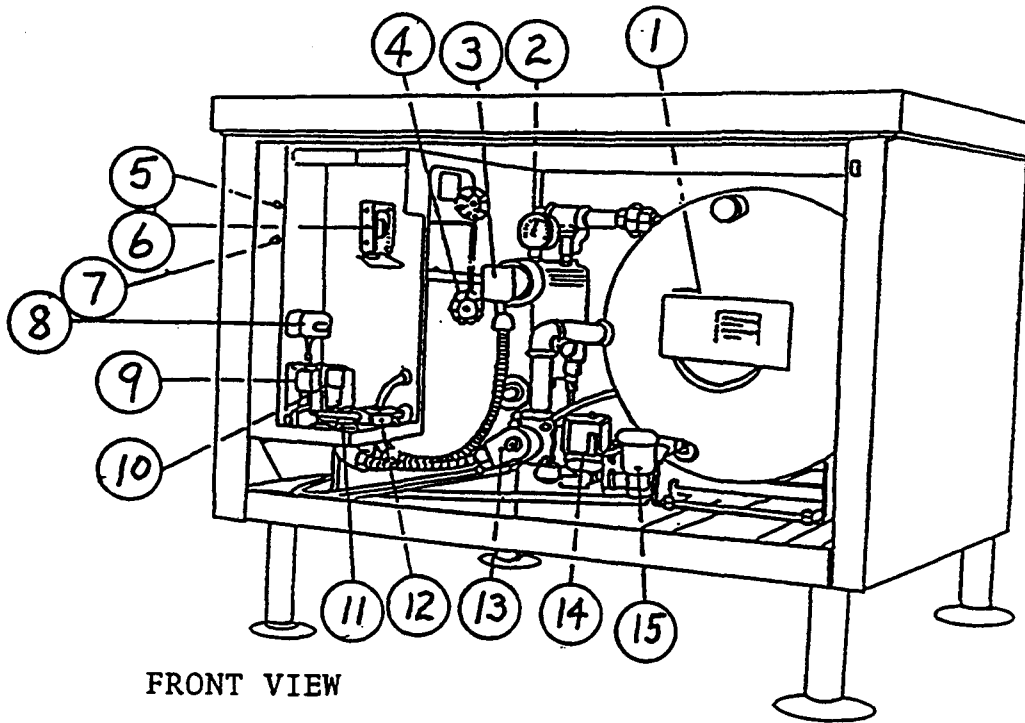
PART NUMBER	DESCRIPTION	24"	36"	48"
8-1305	Side Panel	2	2	2
8-1303	R.H. Door		1	
8-1304	L.H. Door		1	
8-1932	Door	1		
9-3368-1	R.H. Door			1
9-3369-1	L.H. Door			1
5-MC02	Magnetic Catch	1	2	2
1-11C2	Catch Screws	4	8	,8
5-FS67	Flanged Adj Foot	2	2	2
5-PS68	Adj Foot Insert	2	2	2
8-1308	Flanged Adj Foot (Pressure Cookers)		4	

PARTS LIST

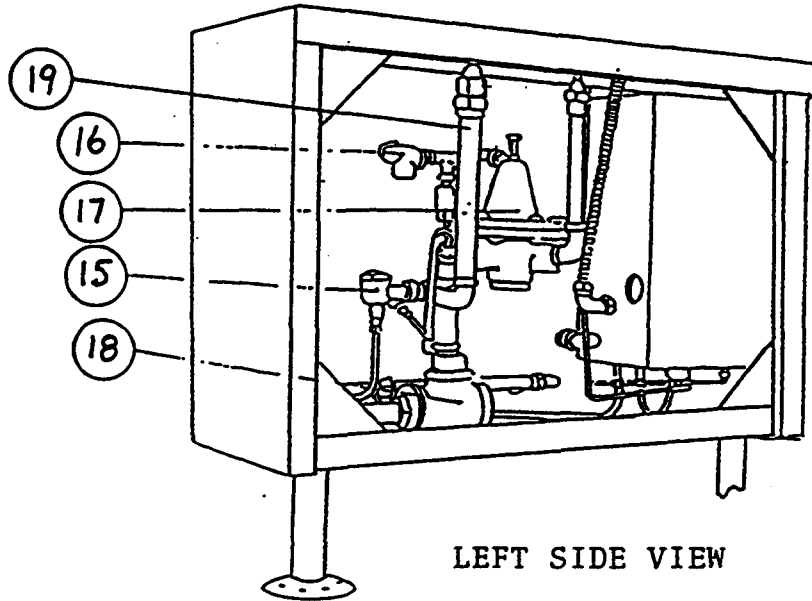
CABINET 32" HEIGHT

<u>PART NUMBER</u>	<u>DESCRIPTION</u>	24"	36"	42"	44"	48"	60"
8-1305-1	Side Panel	2	2	2	2	2	2
8-1932-1	Door	1					
8-1303-1	R.H. Door		1				
8-1304-1	L.H. Door		1				
9-3368-6	R.H. Door			1			
9-3369-5	L.H. Door			1			
9-3368	R.H. Door				1		
9-3369	L.H. Door				1		
9-3368-5	R.H. Door					1	
9-3369-4	L.H. Door				•	1	
9-3368-3	R.H. Door						1
9-3369-3	L.H. Door						1
9-3368-4	Center Door						1
5-MC02	Magnetic Catch	1	2	2	2	2	3
1-11C2	Catch Screws	4	8	8	8	8	12
5-FS67	Flanged Adj Foot	2	2	2	2	2	
5-FS68	Adj Foot Insert	2	2	2	2	2	
8-1308	Flanged Adj Foot						4

PARTS LIST



FRONT VIEW



LEFT SIDE VIEW

PARTS LIST

<u>ITEM</u>	<u>PART NUMBER</u>	<u>DESCRIPTION</u>	<u>QUANTITY</u>
1	8-1256-1	Heat Exchanger	1
2	3-PG30	Pressure Gauge	1
3	4-WC67	Low water cut off See Figure "A" for breakdown	1
4	3-WG20	Water gauge assy.	1
	8-6017	Glass	1
	8-6016	Rod	2
	8-6018	Rubber Washer	2
	8-6019	Brass Washer	2
5	4-PL04	Pilot light	1
6	4-TH04	Drain Thermostat	1
7	4-S101	Power switch	1
8	4-22TB	Terminal Block	2
	4-22ES	End Section	1
9	3-PA26	Pressure Switch (Operating)	1
	3-RD20	Transducer	1
10	3-PA26	Pressure switch (Hi-limit)	1
	3-RD20	Transducer	1
11	3-S162	Fill Solenoid	1
12	3-S161	Cooling Solenoid	1
13	3-S522	Steam Solenoid	1
14**	3-S567	Blowdown Solenoid	1
	3-BVE0	Manual Valve	1
15	4-TST4	Steam Trap	2
16	3-SRV3	Safety Relief Valve	1
17**	3-PR52	Pressure Regulator (Pressure cookers only)	1
18**	8-1423	Drain Assy. (Pressureless cookers)	1
	8-1424	Drain Assy.	
19	8-1255	Exhaust Drain Assy. (Pressure Cookers)	1
20	8-1929	Control box cover (NOT SHOWN)	1

**** SELECT AS REQUIRED**

PARTS LIST

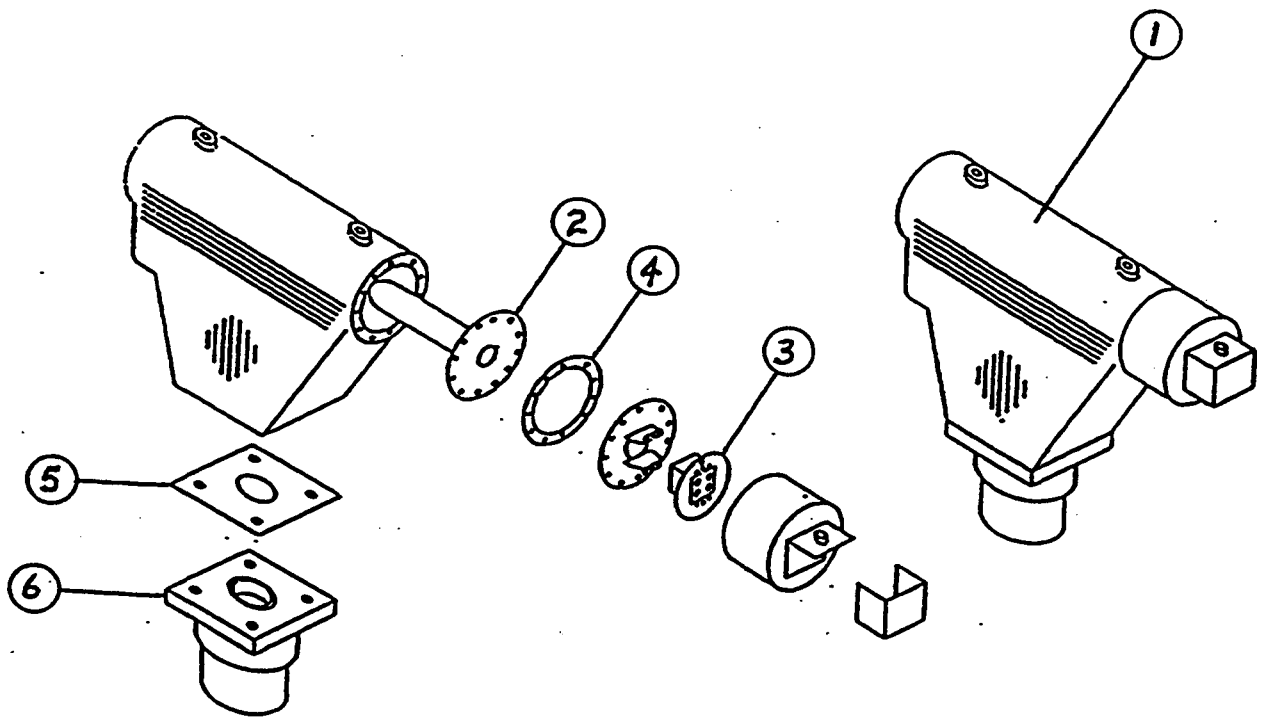
<u>ITEM</u>	<u>PART NUMBER</u>	<u>DESCRIPTION</u>	<u>QUANTITY</u>
21*	4-PL06	Pilot Light (Amber)	1
22*	4-LLP1	Probe	1
23*	PE148	Level Control	1

* California Code ONLY

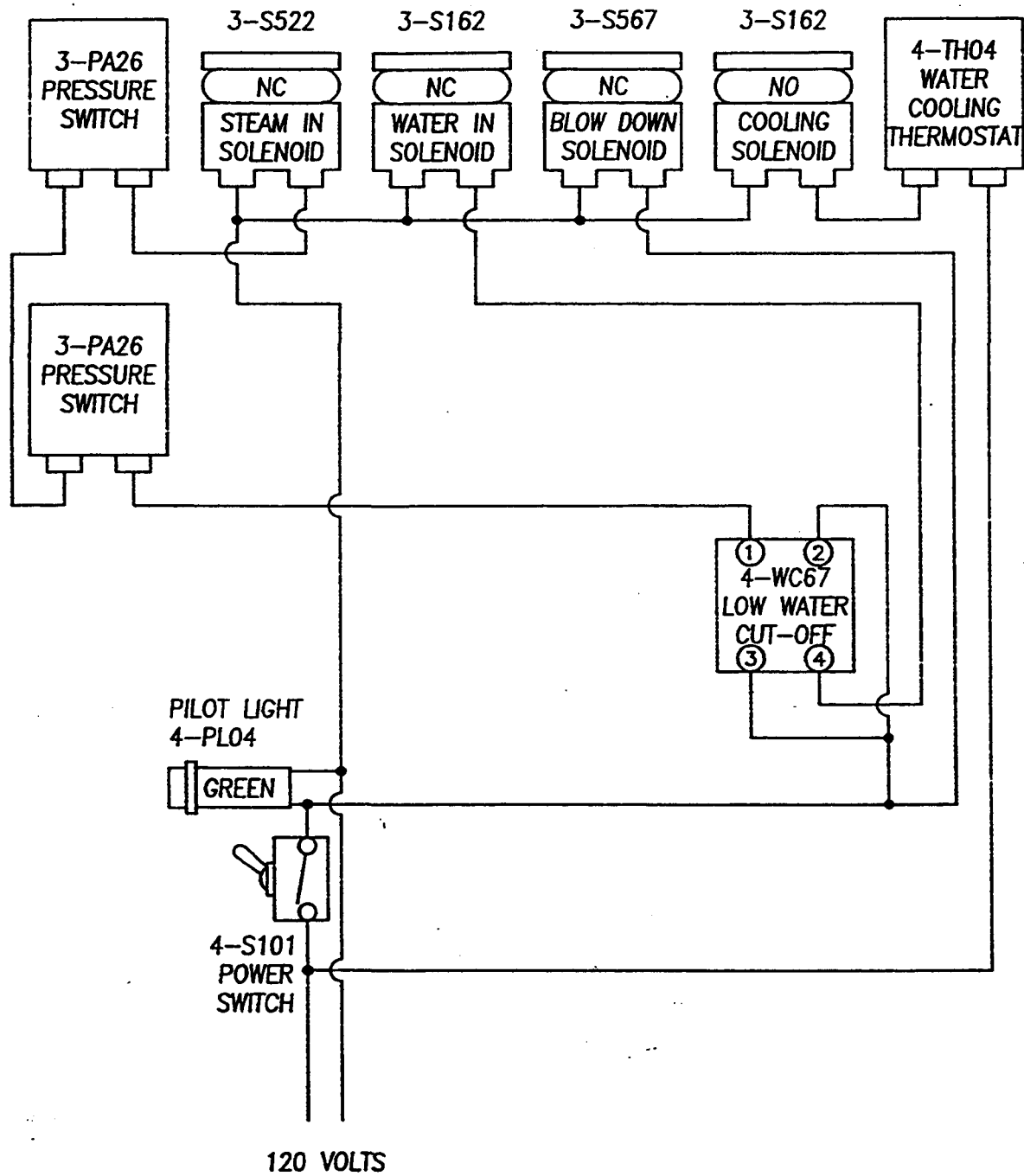
FIG. A

PARTS LIST:

WATER CONTROL:

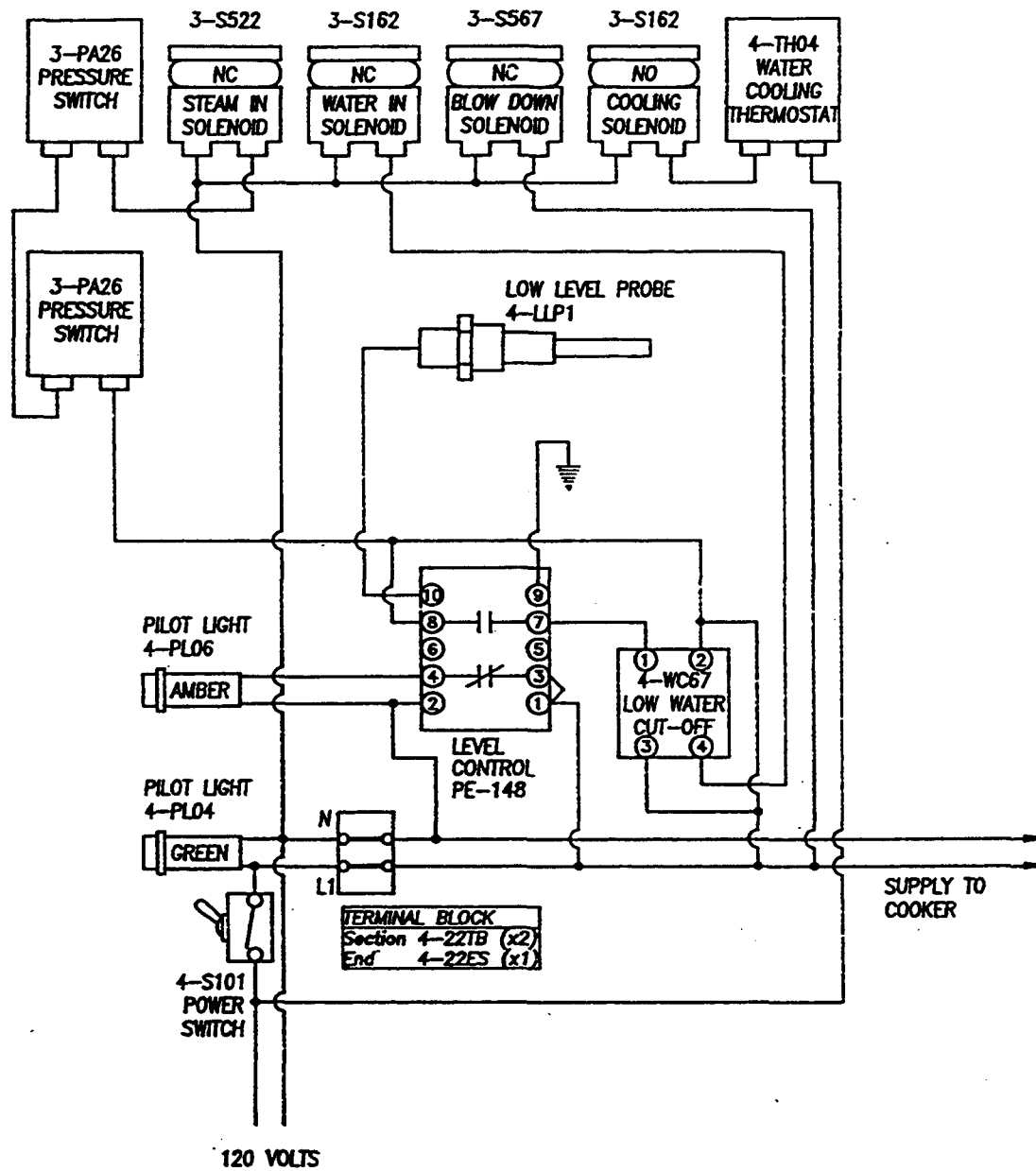


ITEM	PART NO.	DESCRIPTION
1	4-HC67	Low Mater Cut Off
2	8-6023	Float Only
3	8-6022	Switch Only
4	8-6020	Round Gasket
5	8-6021	Square Gasket
6	8-6026	Blowdown Valve
7	8-6025	Float (2) Switch (3) Gasket (4)
8	4080-1	Lever Handle - Blowdown



NOTE:
ALL CONDUCTORS
TYPE SEW 200°C
16 AWG

			UNLESS OTHERWISE SPECIFIED DIMENSIONS ARE IN INCHES TOLERANCES ARE: FRACTIONS DECIMALS ANGLES ± 1/64 .XX ± .1 ± 30° .XXX ± .2	PART NO.	CROWN FOOD SERVICE EQUIPMENT LTD.	
			PROJECTION	SCALE 1:1	DATE	DRAWING TITLE BOILER BASE
			DO NOT SCALE DRAWING	DESIGNED	02-22-93	MDL. CSC-24,36
				DRAWN JD		120V 60HZ 1PH. 1.0 AMPS.
				CHECKED		DRAWING NO. 4S-12002
				APPRO		SIZE A
NO.	BY	DATE	DESCRIPTION			REVISION
REVISIONS						



NOTE:
 ALL CONDUCTORS
 TYPE SEW 200°C
 16 AWG

UNLESS OTHERWISE SPECIFIED DIMENSIONS ARE IN INCHES TOLERANCES ARE:				PART NO.		CROWN FOOD SERVICE EQUIPMENT LTD	
FRACTIONS DECIMALS ANGLES				SCALE	DATE	DRAWING TITLE	
1/64 .XX ±1/2 30°				1:1		BOILER BASE	
.XXX ±2				DESIGNED		MDL. SC,SCDA,SCX,SCHD C/W SECONDARY L.W.C.	
PROJECTION				DRAWN	02/2/83	120V 60HZ 1PH. 2.0 AMP	
DO NOT SCALE DRAWING				CHECKED		DRAWING NO. 4S-12000	
REVISIONS				APPRO		SIZE	REVISION
NO.	BY	DATE	DESCRIPTION			A	

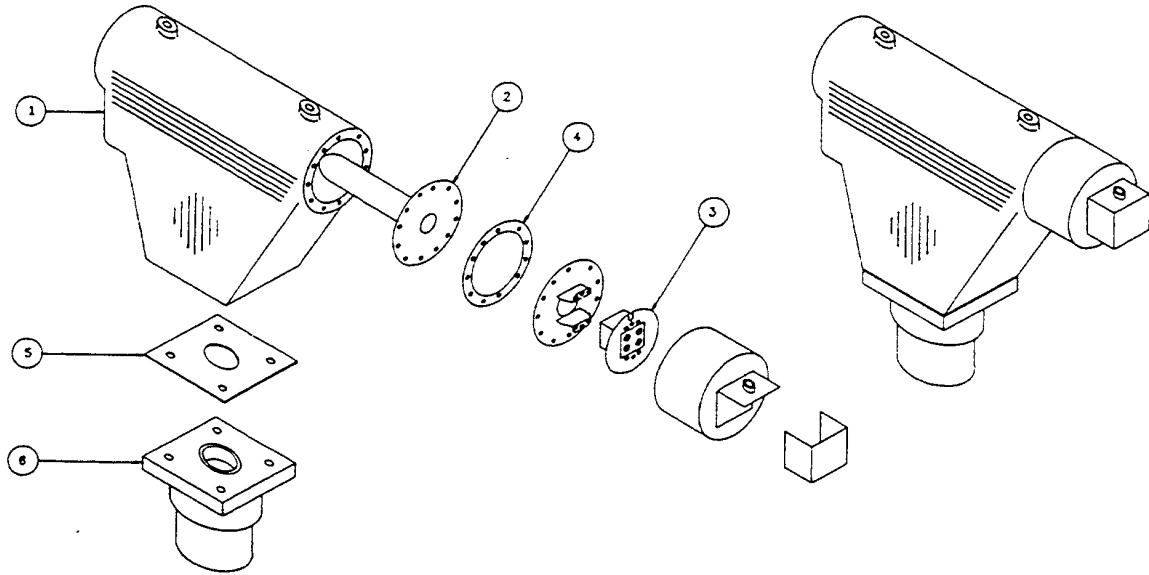
TO: Southbend Parts & Service Distributors

FROM: Thomas S. Enyeart

DATE: February 13, 1991 BULLETIN #9107

SUBJECT: Low Water Cut Off - For Boiler Base Steamers
Part Number 4-WC67

Please add to your master Southbend manual - ST Steamer Section. Many of you have asked to buy component parts only for this assembly. They are now available as follows:



ITEM	PART NO.	DESCRIPTION	QNTY
1	4-WC67	Low Water Cut Off	1
2	8-6023	Float Only	1
3	8-6022	Switch Only	1
4	8-6020	Round Gasket	1
5	8-6021	Square Gasket	1
6	8-6026	Blowdown Valve	1
--	8-6025	Float, Switch, Gasket	1

Prices are in your February 1, 1991 Price List.

TE/dy

1100 Old Honeycutt Rd.
Fuquay-Varina, NC 27526
(919) 552-9161
FAX (919) 552-9798

Date: September 21, 1988

To: All Southbend Authorized Service Representatives And Part Distributors

Subject: Door Adjustment
Boiler Type Pressureless Steamer
Models SX-IIS, DCX-2S, SCX-2S, ECX-2S, GCX-2S, and all with suffixes - 6 or - 36

Please insert in the CS-Convection Steamer section of your master Southbend Manual.

To adjust the inside panel on these doors there are 4 adjustments screws -one located in each corner.

Proper adjustment has been difficult on some units. Problems encountered are doors that are hard to close or not being able to adjust the gasket to stop steam from leaking.

To eliminate this problem we are using longer screws. This gives more adjustment and a more positive seal.

If a problem exists with these screws working loose we recommend the use of "lock-tight".

These longer screws are available as a replacement part please order part number [2-53S5](#). Four pieces are required for a door.



T. S. Enyeart Manager - Parts & Service

TSE/kj

cc: Southbend Sales Representatives

Internal Distribution

1100 Old Honeycutt Rd.
Fuquay-Varina, NC 27526
(919) 552-9161
FAX (919) 552-9798