

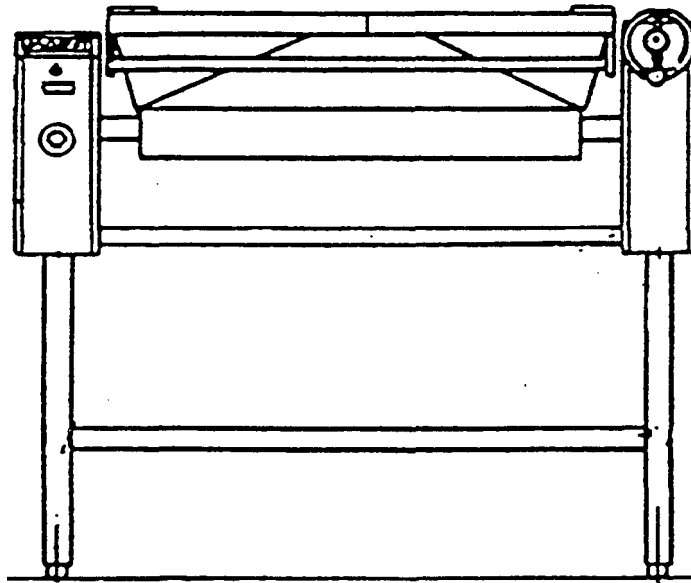
PARTS LIST

ELECTRIC TILTING SKILLETS

MODELS ETS-24

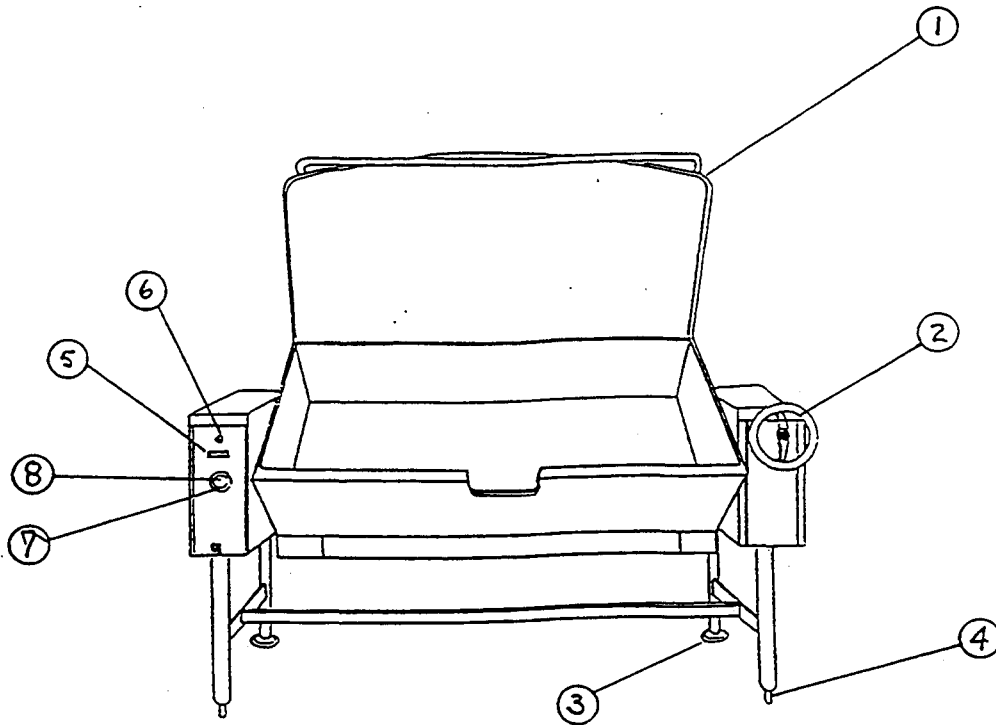
ETS-30

ETS-40



1100 Old Honeycutt Road
Fuquay-Varina, NC 27526
(919)552-9161
FAX (919) 552-9798
(800) 348-2558

PARTS LIST

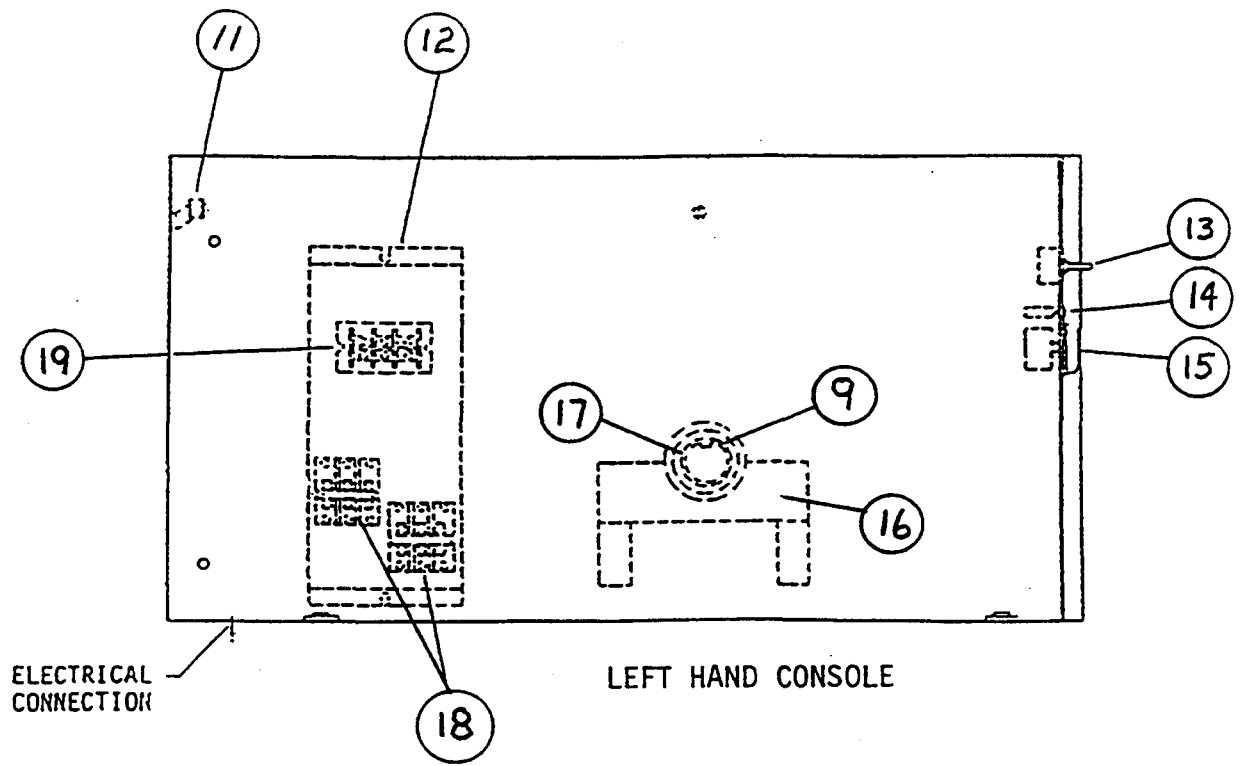
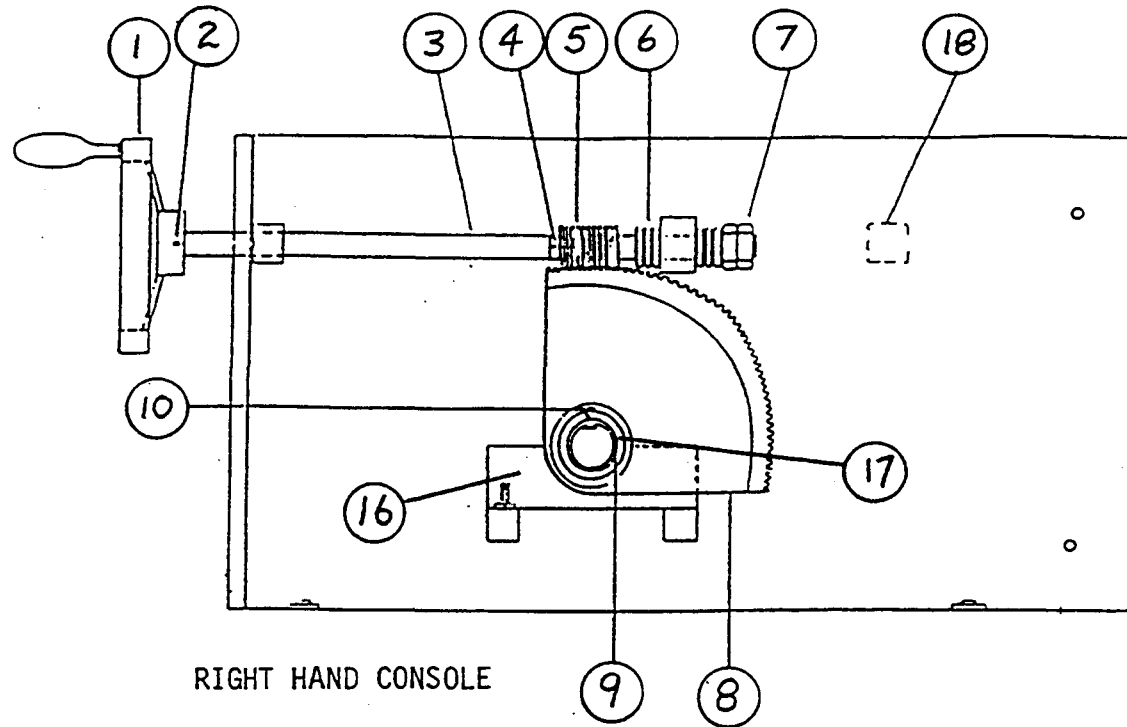


<u>ITEM</u>	<u>PART NUMBER</u>	<u>DESCRIPTION</u>	<u>QUANTITY</u>
1* *	9-3080	Top Cover (ETS-24 & 30)	1
	9-3055	Top Cover (ETS-40)	1
2	8-2054	Handwheel	1
3	8-1308	Flanged Adjustable Foot	2
4	5-FS64	Adjustable Foot	2
5	4-PL08	Pilot Light	1
6	4-S101	Power Switch	1
7	4-TB05	Bezel	1
8	4-TB01	Dial	1

** SELECT AS REQUIRED

PARTS LIST

GEAR BOX ASSY. AND ELECTRIC BOX ASSY.



PARTS LIST

<u>ITEM</u>	<u>PART NUMBER</u>	<u>DESCRIPTION</u>	<u>QUANTITY</u>
1	8-2054	Handwheel	1
2	1-76U4	Set Screw	1
3	8-2055F	Tilt Shaft	1
4	2-T6U5	Tension Pin	1.
5	8-2053	Worm Gear	1
6	2-LTJ6	Thrust Bearing	2
7	2-HN66	Jam Nut	2
8	8-2051	Segment Gear	1
9	1-R315	Retaining Ring	2
10	8-2075-1	Key	1
11	4-70EU	Ground Lug	1
12	B2266	Component Mtg. Plate	1
13	4-S101	Power Switch	1
14	4-PL08	Pilot Light	1
15	4-TH47	Thermostat	1
16	3772-1	Trunion Housing Assy	2
17	3929-1	Bronze Bushing	2
		<u>24-30 GAL</u>	<u>40 GAL</u>
18**	4-NG41	Contactactor (208,220,240V)	2
	4-NG41	Contactactor (380,416,480V) (220/380, 240/416V)	1
	4-NG41	Contactactor (220/380, 240/416V)	1

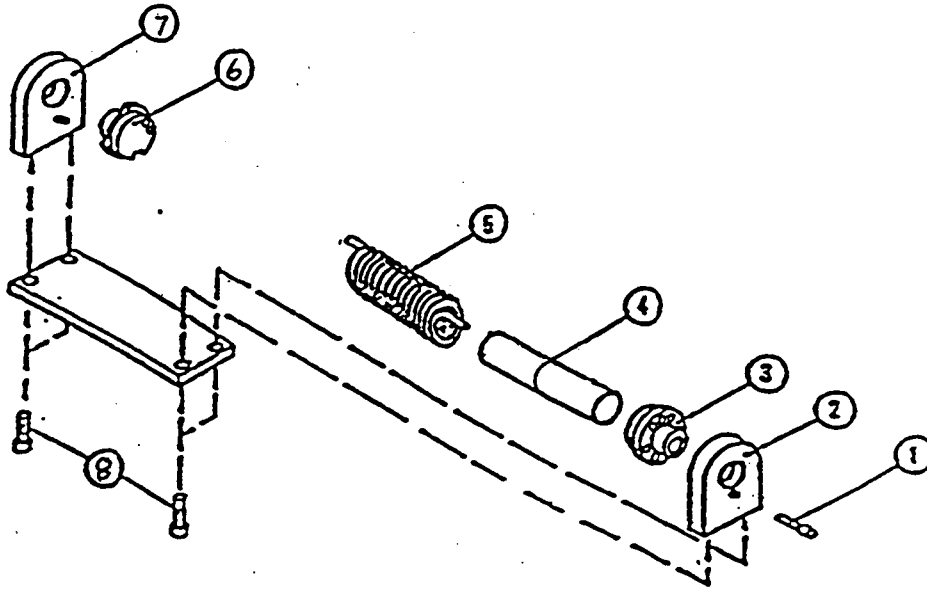
	•47-CG42	Contactora (208,220,240V)		2
	4-C-G42	Contactora (380,416,480V)		1
19***	4-33TB	Terminal Block	3	3
	4-33ES	End Section	1	1
	4-33TB	Terminal Block (220/380V) (240/416)	4	4
20	4-TH45	Hi-Limit Thermostat	1	1
21	4-TB05	Bezel (Not Shown)	1	1
22	4-TB01	Dial (Not Shown)	1	1
			18KW	27KW
23**	7-70580	Element Block 208V 9KW	2	3
	7-70582	Element Block 220V 9KW	2	3
	7-70581	Element Block 240V 9KW	2	3
	7-70582	Element Block 380V 9KW	2	3
	7-70581	Element Block 416V 9KW	2	3
	7-70583	Element Block 480V 9KW	2	3
	7-70582	Element Block 220/380V 9KW	2	3
	7-70581	Element Block 240/416V 9KW	2	3
24**	4-T252	Transformer 380V	1	1
	4-T251	Transformer 416V	1	1
	4-T255	Transformer 480V	1	1
25**	8-6037	Fuse Block 380,416,480V	2	2
26**	4-FU60	Fuse 600V 1 Amp	2	2
27*	9-3303	Strainer	1	1

** SELECT AS REQUIRED

* NOT SHOWN

PARTS LIST

HINGE ASSY.



<u>ITEM NUMBER</u>	<u>PART NUMBER</u>	<u>DESCRIPTION 24 & 30 GAL</u>	<u>QTY</u>
	9-3184	Small Hinge Assy.	1
1	8-2029	Lock Pin	1
2	8-2035	End Lock Plate	1
3	8-2036	Stationary Disc	1
4	8-2025S	Core	2
5	8-2026S	Spring	1
6	8-2037	Rotary Disc	1
7	8-2034	End Stop Plate	1
8	1-56S6	Cap Screws	4
		40 GALLON	
	9-3185	Large Hinge Assy.	1
1	8-2029	Lock Pin	1
2	8-2035L	End Lock Plate	1
3	8-2023	Stationary Disc	1
4	8-2025	Core	2
5	8-2026	Spring	1
6	8-2024	Rotary Disc	1
7	8-2021	End Stop Plate	1
8	1-66S6	Cap Screws	4