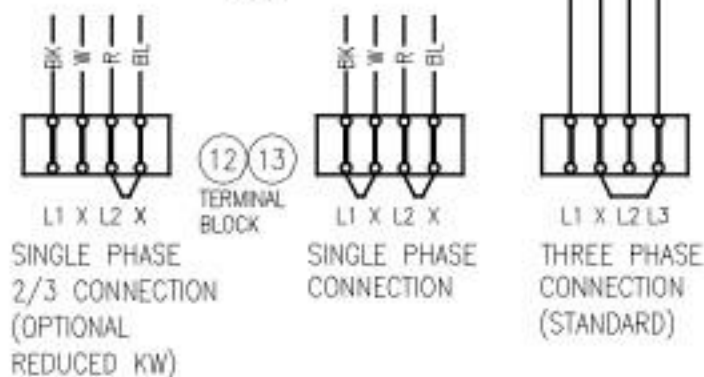


*SELECT AS REQUIRED.

ITM	DESCRIPTION	PART NO.	QTY
*1	ELEMENT ASSEMBLY, 208V 9kW	6921-1	1
	ELEMENT ASSEMBLY, 208V 15kW	6921-6	1
	ELEMENT ASSEMBLY, 220V 9kW	6921-2	1
	ELEMENT ASSEMBLY, 220V 15kW	6921-7	1
	ELEMENT ASSEMBLY, 240V 9kW	6921-3	1
	ELEMENT ASSEMBLY, 240V 15kW	6921-8	1
2	CONTACTOR	4-CG42-1	1
3	HIGH LIMIT THERMOSTAT, 350°F	4914-1	1
4	RELAY, DPDT	9-3174	2
5	PILOT LAMP, GREEN, READY	4-PL04-1	1
6	PILOT LAMP, RED, COOKING	4-PL07-1	1
7	THERMOSTAT, STAND-BY, 168°F	9077-1	1
8	SWITCH, SPDT, DOOR INTERLOCK	9-3213	1
9	TIMER, 60 MIN@60Hz	4-T209-1	1
10	BUZZER	4742-1	1
11	SWITCH, ON/OFF/ON, DPDT	9124-1	1
*12	TERMINAL SECTION	4-22TB	4
	TERMINAL SECTION, 15 kW, 208-240V	4-33TB	4
*13	TERMINAL END PIECE	4-22ES	1
	TERMINAL END PIECE, 15kW, 208-240V	4-33ES	1
14	PRESSURE SWITCH	08-6502	1
15	TIME DELAY RELAY, DUAL	9242-2	1
16	FUSE, 1A, 250V	9092-1	2
17	FUSE HOLDER	9068-1	2
18	PILOT LAMP, AMBER, LOW WATER	4-PL06-1	1

ALL CONDUCTORS
TYPE SEW 200°C



Volts	AMPS		
	1 PH @ 2/3	1 PH	3-PH
208-9	28.9	43.3	25.0
220-9	27.3	41.0	23.7
240-9	25.0	37.5	21.7
208-15	48.1	72.2	41.7
220-15	45.5	68.2	39.4
240-15	41.7	62.5	36.1

NO.	BY	DATE	DESCRIPTION
1	VC	10.08.07	ERN-1121
0	VC	5.08.07	ERN-1121

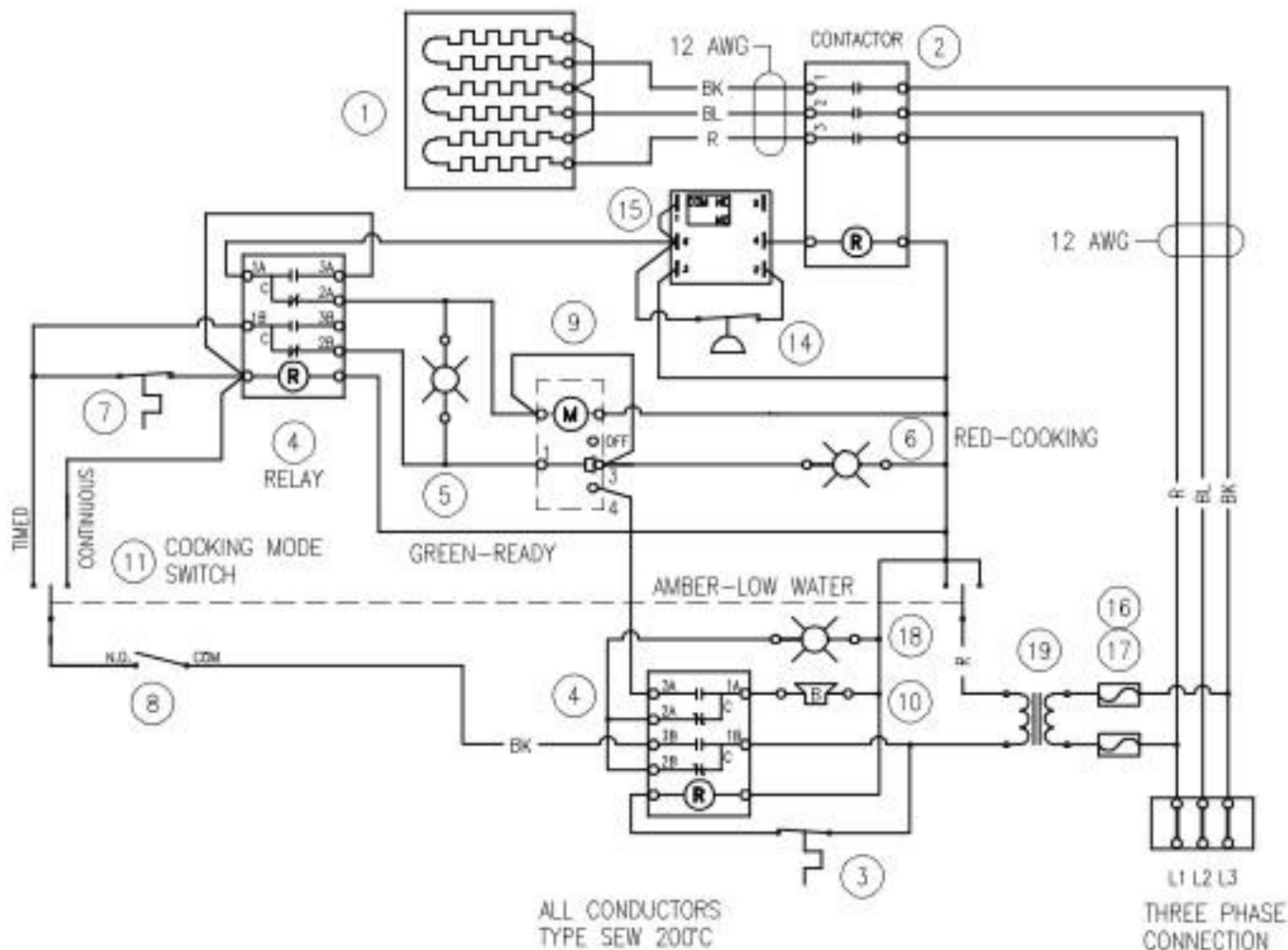
UNLESS OTHERWISE SPECIFIED
DIMENSIONS ARE IN INCHES
TOLERANCES ARE:
FRACTIONS DECIMALS ANGLES
± .XX ± .XXX ±

PROJECTION

DO NOT SCALE DRAWING

PART NO.	SCALE	M.D.Y.
DESIGNED	1:1	
DRAWN	VC	5.08.07
CHECKED		
APP'D		

EZ24-3 EZ24-5	SIZE	REVISION
208V/220V/240V	A	1
DRAWING NO.	3E-15049	



*SELECT AS REQUIRED.

ITEM	DESCRIPTION	PART NO.	QTY	ITEM	DESCRIPTION	PART NO.	QTY
*1	EL. ASM. 380V (220V)9kW, 13.7 A/PH	6921-2	1	9	TIMER, 60 MIN@60Hz	4-T209-1	1
	EL. ASM. 380V (220V)15kW, 22.8 A/PH	6921-7	1	10	BUZZER	4742-1	1
	EL. ASM. 415V (240V)9kW, 12.6 A/PH	6921-3	1	11	SWITCH, ON/OFF/ON, DPDT	9124-1	1
	EL. ASM. 415V (240V)15kW, 20.9 A/PH	6921-8	1	12	TERMINAL SECTION	4-22TB	3
	EL. ASM. 480V (277V)9kW, 10.9 A/PH	6921-4	1	13	TERMINAL END PIECE	4-22ES	1
	EL. ASM. 480V (277V)15kW, 18.1 A/PH	6921-9	1	14	PRESSURE SWITCH	08-6502	1
	EL. ASM. 600V (347V)9kW, 8.7 A/PH	6921-5	1	15	TIME DELAY RELAY, DUAL	9242-2	1
	EL. ASM. 600V (347V)15kW, 14.5 A/PH	6921-10	1	16	FUSE, 1/2A, 600V	9001-2	2
2	CONTACTOR	4-NG41	1	17	FUSE HOLDER	9002-1	2
3	HIGH LIMIT THERMOSTAT, 350°F	4914-1	1	18	PILOT LAMP, AMBER, LOW WATER	4-PL06-1	1
4	RELAY, DPDT	9-3174	2	*19	TRANSFORMER, 380/220, 100VA	4-T251	1
5	PILOT LAMP, GREEN, READY	4-PL04-1	1		TRANSFORMER, 415/240, 100VA	4-T251	1
6	PILOT LAMP, RED, COOKING	4-PL07-1	1		TRANSFORMER, 480/240, 100VA	4-T255	1
7	THERMOSTAT, STAND-BY, 168°F	9077-1	1		TRANSFORMER, 600/240, 100VA	4-T260	1
8	SWITCH, SPDT, DOOR INTERLOCK	9-3213	1				

UNLESS OTHERWISE SPECIFIED DIMENSIONS ARE BY INCHES TOLERANCES ARE: FRACTIONS DECIMALS ANGLES ± .XX ± .XXX ±		PART NO. SCALE 1:1 DESIGNED DRAWN VC CHECKED APPS	MDY 10/28/07	E224-3 E224-5 380, 415, 480, 600V
NO.	BY	DATE	DESCRIPTION	PROJECTION DO NOT SCALE DRAWING
0	VC	10/28/07	ERN-1121	
REVISIONS				
DRAWING NO. 3E-15050				SIZE A
				REVISION 0

