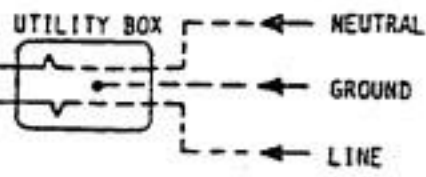
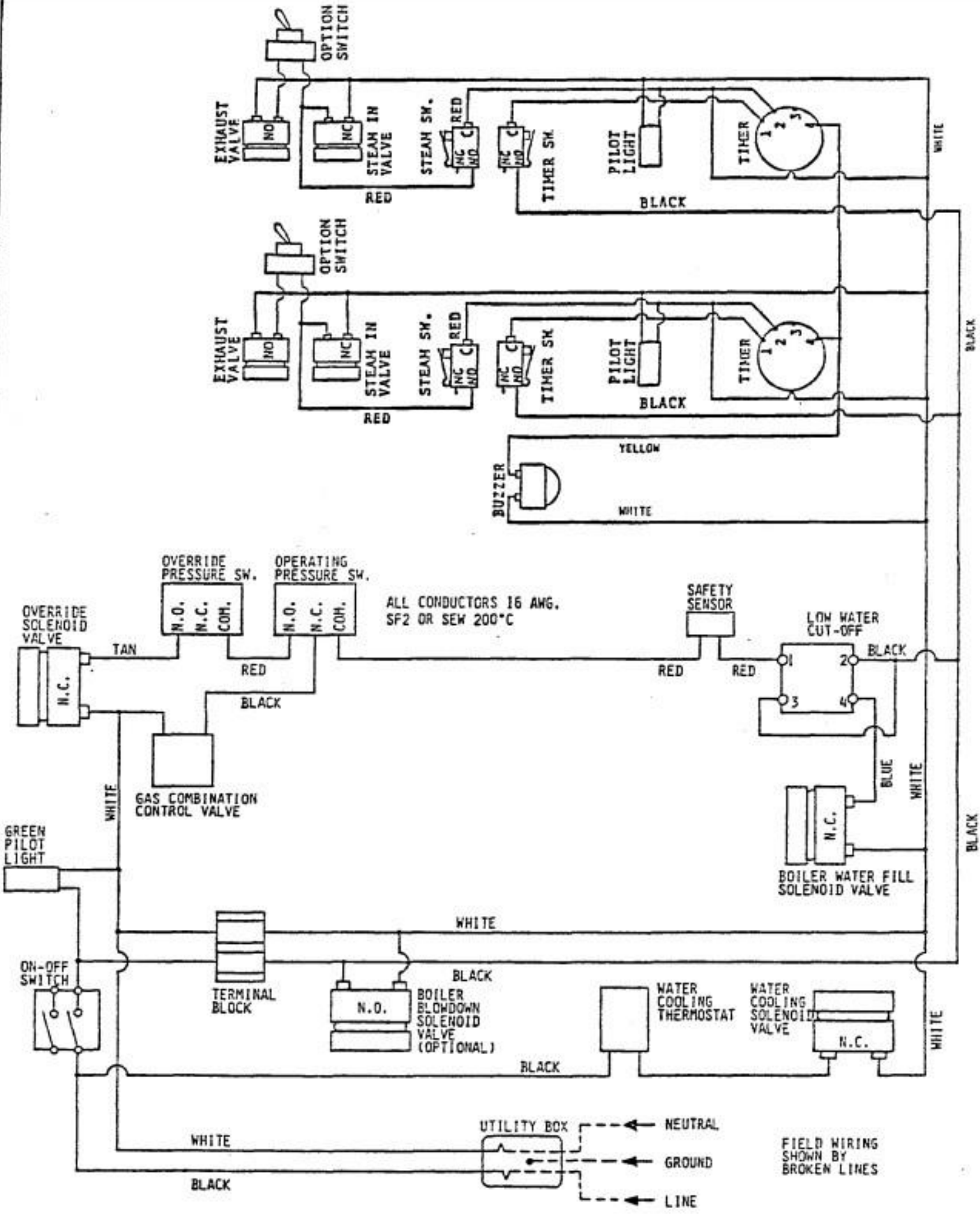


250,000 BTU/HR
 FIELD WIRING SHOWN BY
 BROKEN LINES



FIELD WIRING
 SHOWN BY
 BROKEN LINES



250,000 BTU/HR

FIELD WIRING SHOWN BY BROKEN LINES