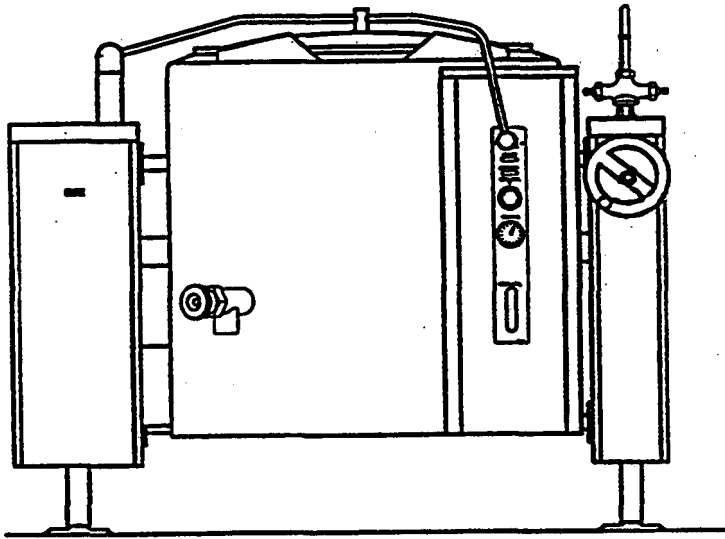


PARTS LIST

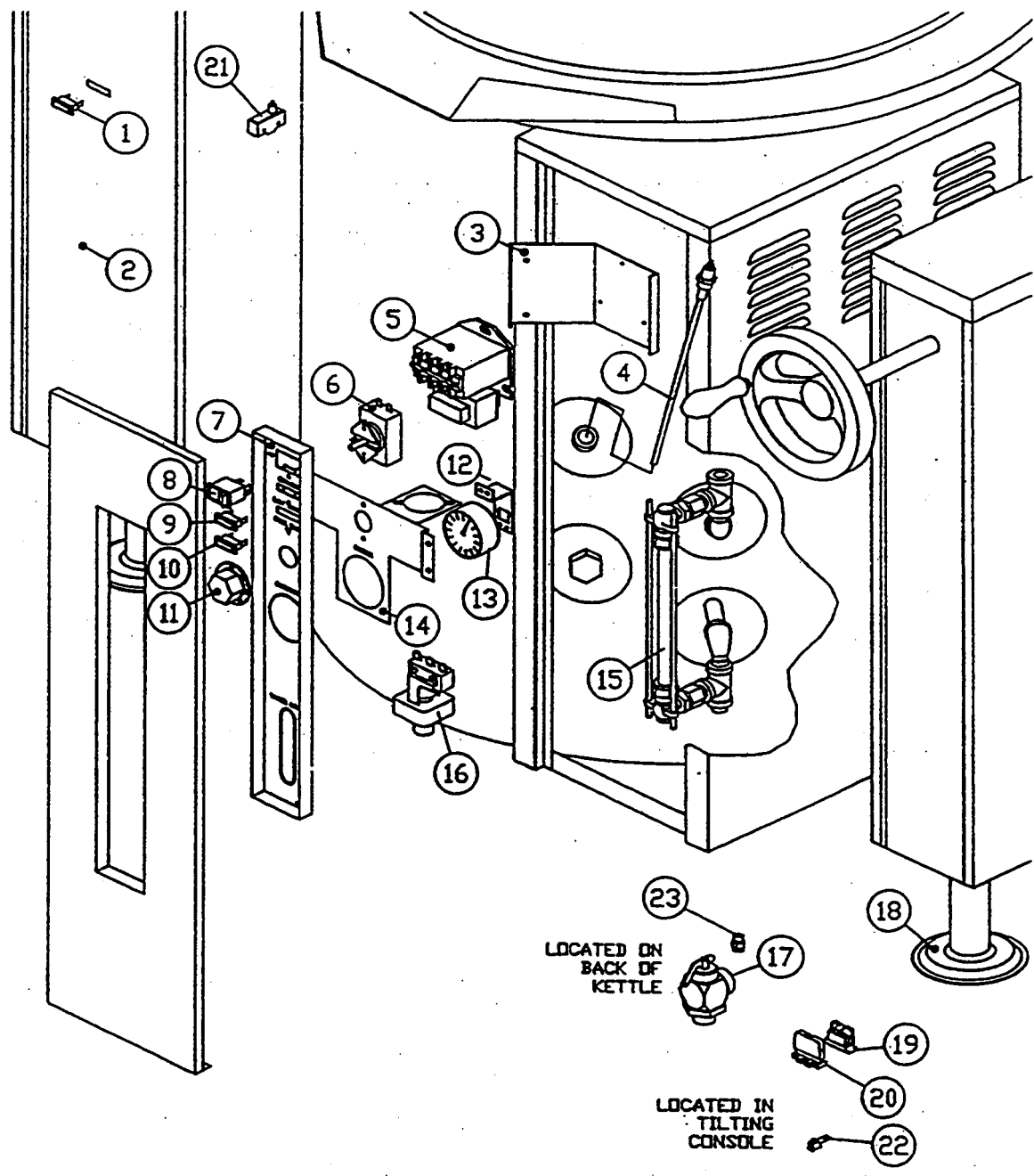
GAS TILTING KETTLES

MODELS GLT-20
 GLT-30
 GLT-40
 GLT-60



1100 Old Honeycutt Road
Fuquay-Varina, NC 27526
(919)552-9161 PAX (919)
552-9798 (800) 348-2558

PARTS LIST



PARTS LIST

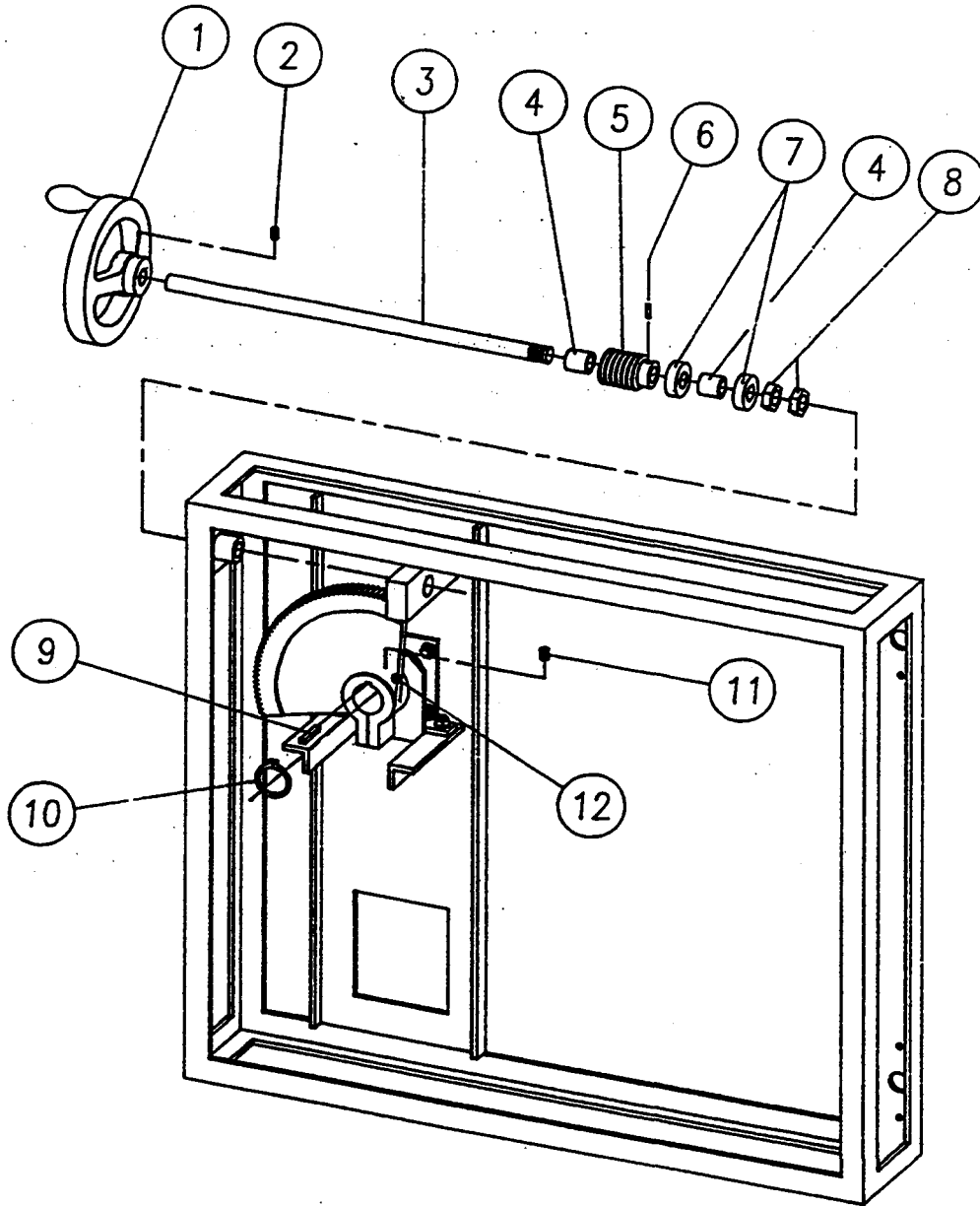
<u>ITEM</u>	<u>PART NUMBER</u>	<u>DESCRIPTION</u>	<u>QUANTITY</u>
1	4-PL08/1	Pilot Light - Green 24V	1
2	9-3236	Instruction Label	1
3	9-3242	L.W. MTG. Bracket	1
4	PE149	Probe	1
5	PE148	L.W, Cut Off	1
6	116-6562	Thermos-tat	1
7	1-0483	Poly Panel	1
8	PE135	Power Switch	1
9	PE139	Pilot Light - Red	1
10	PE169	Pilot Light - amber	1
11	PE126	Dial	1
12	9-3240	Pressure Gauge Bracket	1
13	3-PQOO	Pressure Gauge	1
14	* 9-3238	Mtng. Bracket (20,30,40 Gallon only)	1
	* 9-3239	Mtng. Bracket (60 Gallon only)	1
15	PM097	Sight Glass	1
16	PP688	Pressure Switch	1
17	3-SRV9/1	Relief Valve	1
18	8-1308	Flanged Foot	4
19	4-22TB	Terminal Block	2
20	4-22ES	End Section	1
21	4-M605	Interlock Switch	1
22	4-35EO	Ground Lug	1
23	3-AV01	Vent	1

* SELECT AS REQUIRED

PARTS LIST

TILTING MECHANISM
GLT-20, GLT-30, GLT-40, GLT-60

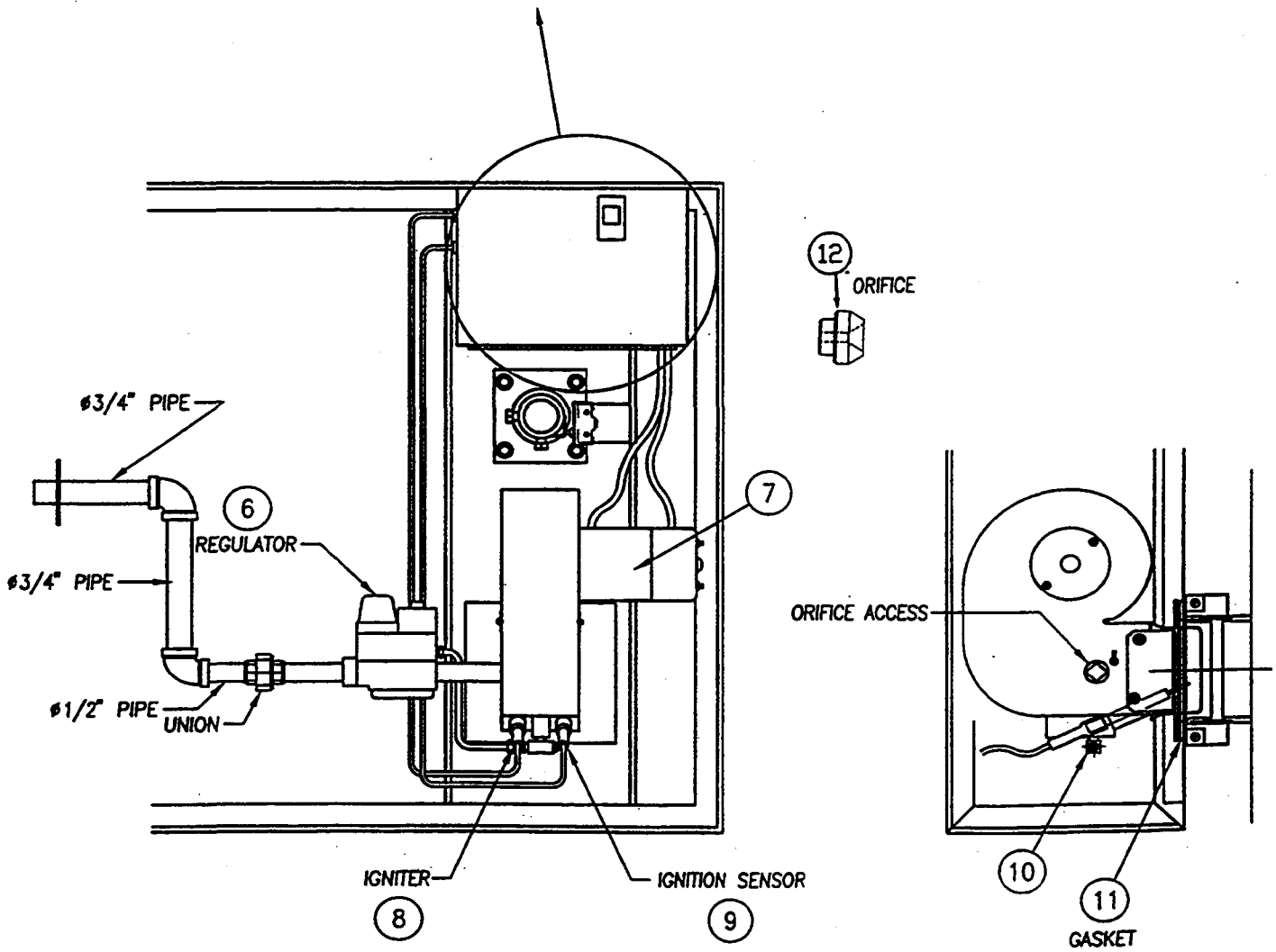
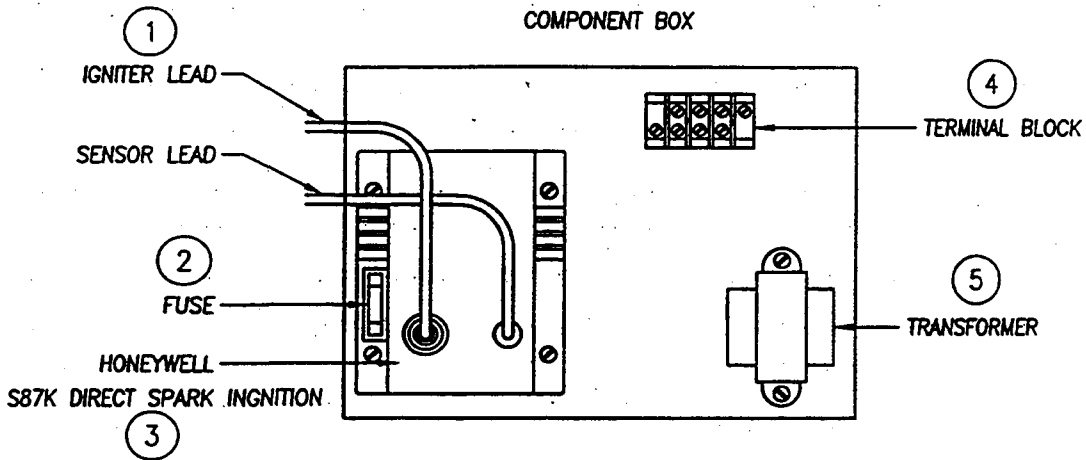
Fig. 1



PARTS LIST

<u>ITEM</u>	<u>PART NUMBER</u>	<u>DESCRIPTION</u>	<u>QUANTITY</u>
1	8-2054	Handwheel	1
2	1-72D4	Set. Screw	1
3	8-2055	Tilt Shaft	1
4	8-6040	Bushing	2
5	8-2053	Worm Gear	1
6	2-T605	Tension Pin	1
7	2-LTJ6	Thrust Bearing	2
8	2-HN66	Jam Nut	2
9	8-2075-1	Key	1
10	1-R315	Retaining Ring	1
11	1-5204	Set Screw	1
12	8-2051	Segment Gear	1

PARTS LIST



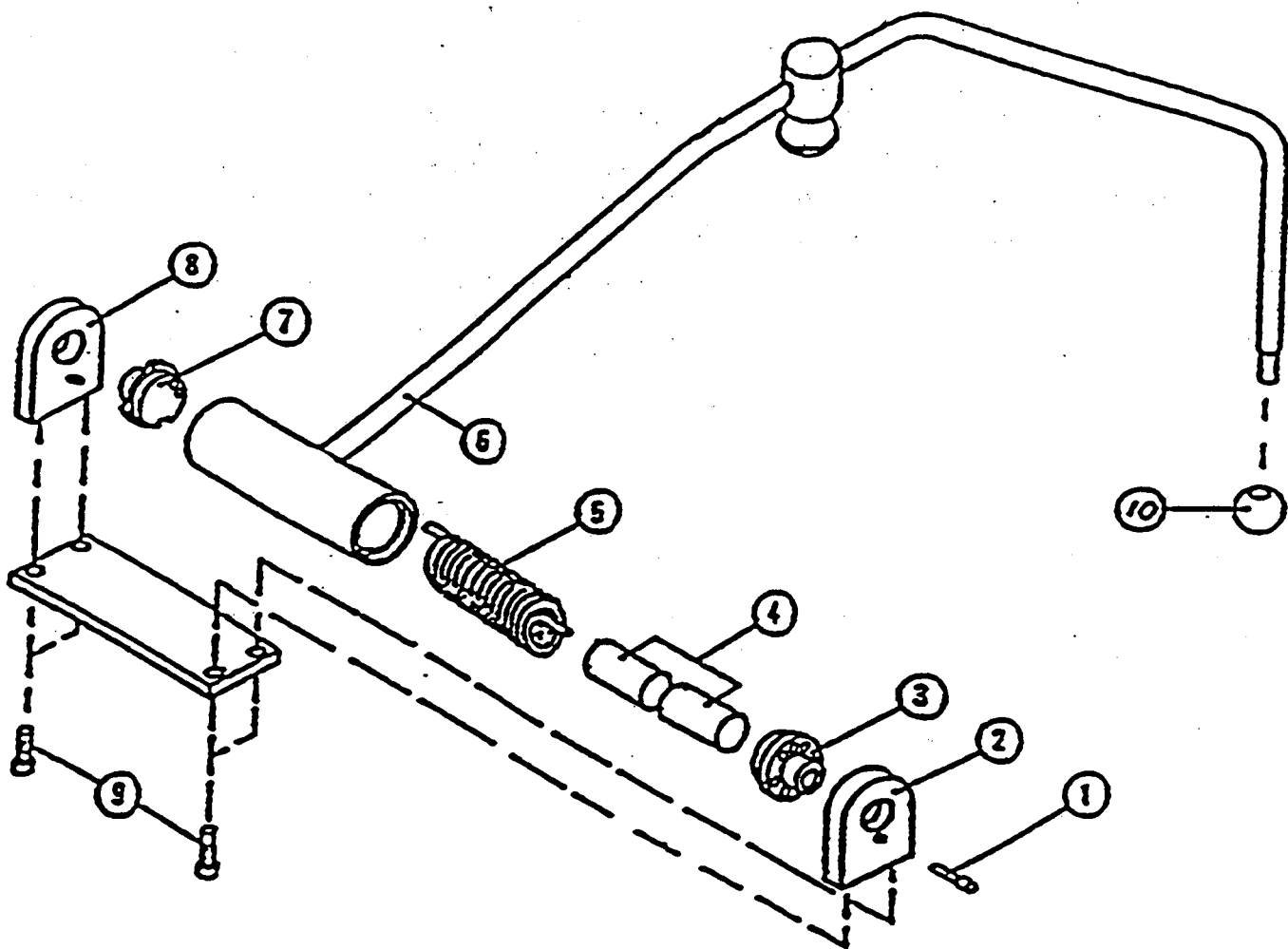
PARTS LIST

ITEM	PART NDMBER	DESCRIPTION	QUANTITY
1	3875-1	Ignition Cable	1
2	4-FD05	Fuse 250V 3 Amp	1
3	3876-1	Direct Spark Ignitor Module	1
4	3877-1	Terminal Block	1
5	3878-1	Transformer	1
6	3879-1	Gas Regulator	1
7	3880-1	Motor 120V	1
8	4035-1	Ignitor	1
9	4035-1	Ignitor Sensor	1
10	3883-1	Orifice Tee #55	1
11	3884-1	Gasket	1
12**	3885-23	Orifice Nat. #23 (20 Gallon)	1
	3885-17	Orifice Nat. #17 (30/40 Gallon)	1
	3885-12	Orifice Nat. #12 (60 Gallon)	1
	3885-36	Orifice L.P. #36 (20 Gallon)	1
	3995-32	Orifice L.P. #32 (30/40 Gallon)	1
	3885-28	Orifice L.P. #28 (.140) (60 Gallon)	1

**** SELECT AS REQUIRED**

PARTS LIST

SPRING ASSIST
HINGE ASSEMBLY

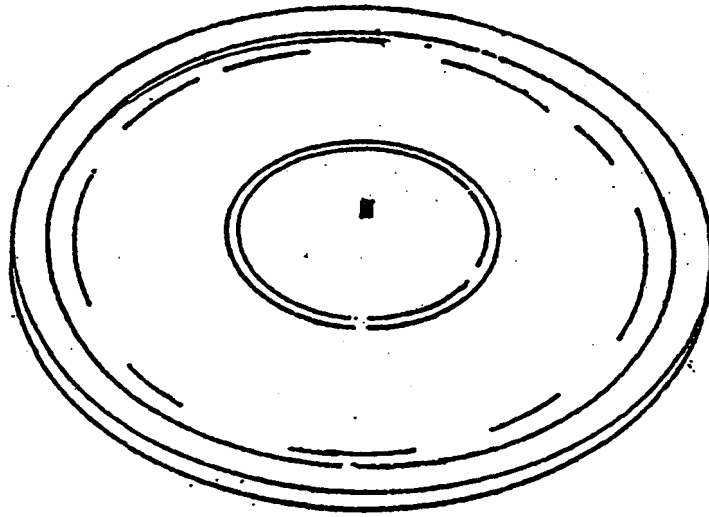


PARTS LIST

<u>ITEM</u>	<u>PART NUMBER</u>	<u>DESCRIPTION</u>	<u>QUANTITY</u>
	9-3184	Hinge Assy. (20-40 Gallon Kettle)	
1	8-2029	Lock Pin	1
2	8-2035	,End Lock Plate	1
3	8-2036	Stationary Disc	1
4	8-2025S	Cores	2
5	8-2026S	Spring	1
6**	8-2028-3 8-2028-4	Handle Assy. (20 Gallon Kettle) Handle Assy. (30-40 Gallon	1 1
7	8-2037	Rotary Disc	1
8	8-2034	End Stop Plate	1
9	1-56S6	Cap Screws	4
10	2-KB01	Knob	1
	9-3185	Hinge Assy. (60 Gallon Kettle)	
1	8-2029	Lock Pin	1
2	8-2035L	End Lock Plate	1
3	8-2023	Stationary Disc	1
4	8-2025	Cores	2
5	8-2026	Spring	1
6	8-2027-3	Handle Assy.	1
7	8-2029	Rotary Disc	1
8	8-2021	End Stop Plate	1
9	1-66S6	Cap Screws	4
10	2-KB01	Knob	1

PARTS LIST

COVERS



ITEM

PART NUMBER

DESCRIPTION

1

116-6374

Covers

20 Gallon Kettle

2

8-2005

Covers

30-40 Gallon Kettle

3

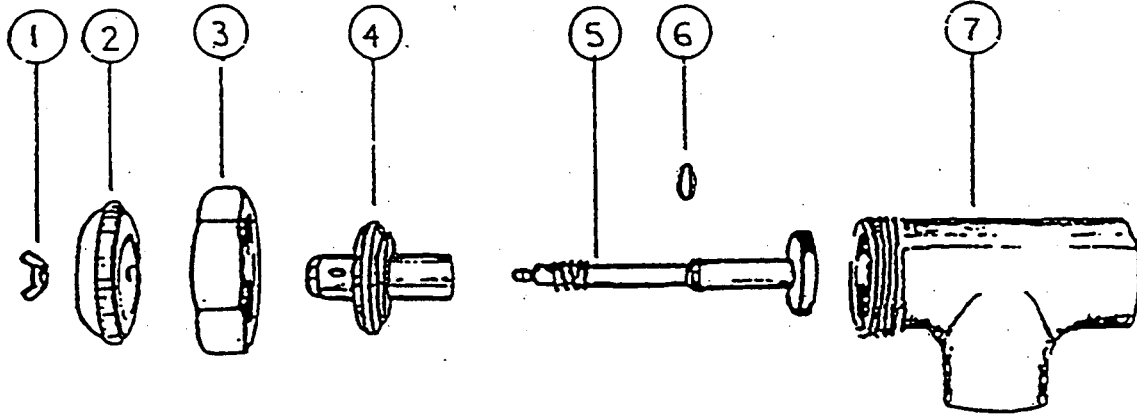
8-2006

Covers

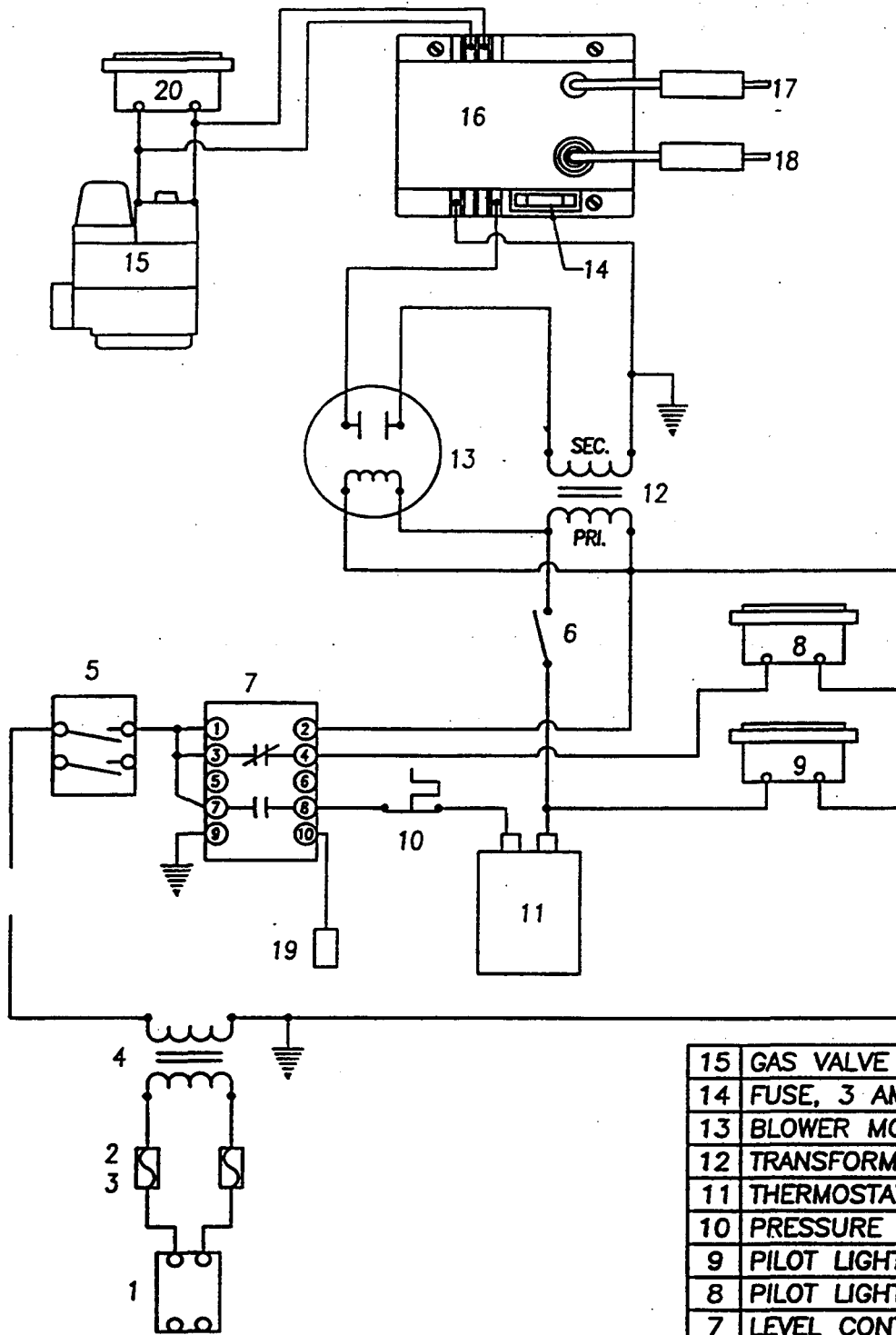
60 Gallon Kettle

PARTS LIST

DRAW OFF VALVES

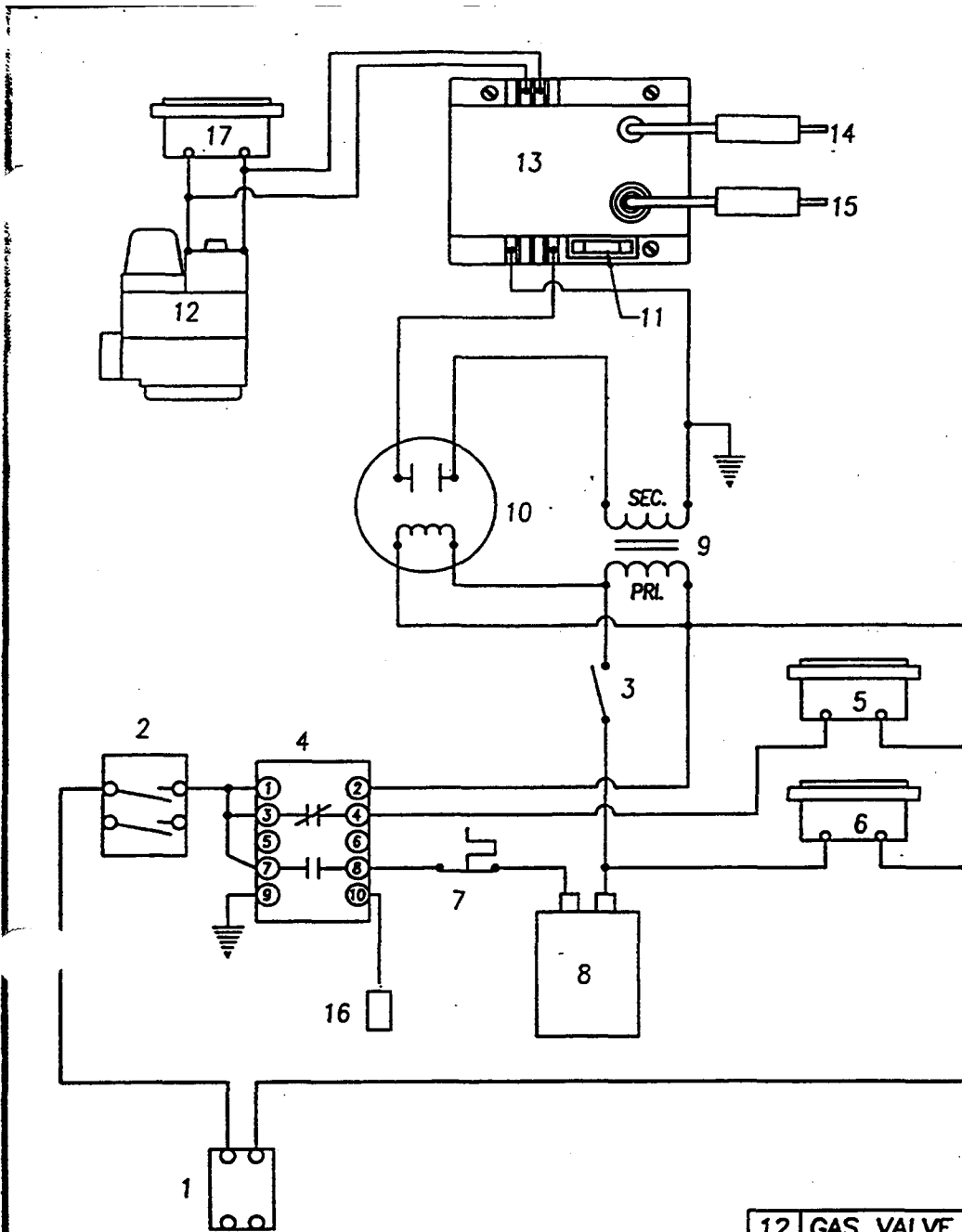


<u>ITEM</u>	<u>1 1/2" valve</u>	<u>2" Valve</u>	<u>3" Valve</u>	<u>DESCRIPTION</u>	<u>QTY</u>
1	3-DV01	3-DV01	3-DV31	Nut	1
2	3-DV02	3-DV02	3-DV32	Handle	1
3	3-DV13	3-DV23	3-DV33	Hex. Assembly Nut	1
4	3-DV14	3-DV24	3-DV34	Bonnet	1
5	3-DV15RV	3-DV25RV	3-DV35RV	Disc & Stem Assembly	1
6	3-DV16	3-DV26	3-DV36	'O' Ring	1
7	3-DV17	3-DV27	3-DV37	Valve Body	1



15	GAS VALVE					
14	FUSE, 3 AMP. 250V BUSS	4-FU05				
13	BLOWER MOTOR WITH INTERLOCK					
12	TRANSFORMER, 120/24 30VA					
11	THERMOSTAT	116-6562				
10	PRESSURE SWITCH	PP688				
9	PILOT LIGHT, COOKING, RED	PE139				
8	PILOT LIGHT, LOW WATER, AMB.	PE168				
7	LEVEL CONTROL	PE148				
6	TILT SWITCH	4-M605				
5	POWER SWITCH	PE135				
20	PILOT LIGHT, IGNITION	4-PL04/2				
19	LEVEL PROBE	PE149				
18	SPARK ELECTRODE					
17	FLAME SENSOR					
16	DSI MODUAL					
4	TRANSFORMER, 240/120 200VA	4-T253				
3	FUSE HOLDER	8-6037				
2	FUSE, 3 AMP. 600V	8-6036				
1B	TERMINAL BLOCK SECTION	4-22TB				
1A	TERMINAL BLOCK END SECTION	4-22ES				
ITEM	DESCRIPTION	PART NO.	QTY	ITEM	DESCRIPTION	PART NO.

UNLESS OTHERWISE SPECIFIED DIMENSIONS ARE IN INCHES TOLERANCES ARE: FRACTIONS DECIMALS ANGLES ± .XX ± .XXX ±				PART NO. SCALE 1:1 M/D/Y		CROWN FOOD SERVICE EQUIPMENT L	
DESIGNED				DRAWN JD		11/16/94	
CHECKED				APPD		GLT-20 - 60 240V-1PH-50/60HZ MITCO BURNER MODEL JB-83DS	
PROJECTION				DRAWING NO.		SIZE REV	
DO NOT SCALE DRAWING				1G-00004		A	
NO.	BY	DATE	DESCRIPTION				
REVISIONS							



17	PILOT LIGHT, IGNITION	4-PL04/2	1	12	GAS VALVE	
16	LEVEL PROBE	PE149	1	11	FUSE, 3 AMP. 250V BUSS	4-FU05
15	SPARK ELECTRODE		1	10	BLOWER MOTOR WITH INTERLOCK	
14	FLAME SENSOR		1	9	TRANSFORMER, 120/24 30VA	
13	DSI MODUAL		1	8	THERMOSTAT	116-6562
11	FUSE, 3 AMP. 250V BUSS	4-FU05	1	7	PRESSURE SWITCH	PP688
10	BLOWER MOTOR WITH INTERLOCK		1	6	PILOT LIGHT, COOKING, RED	PE139
9	TRANSFORMER, 120/24 30VA		1	5	PILOT LIGHT, LOW WATER, AMB.	PE168
8	THERMOSTAT	116-6562	1	4	LEVEL CONTROL	PE148
7	PRESSURE SWITCH	PP688	1	3	TILT SWITCH	4-M605
6	PILOT LIGHT, COOKING, RED	PE139	1	2	POWER SWITCH	PE135
5	PILOT LIGHT, LOW WATER, AMB.	PE168	1	1B	TERMINAL BLOCK SECTION	4-22TB
4	LEVEL CONTROL	PE148	1	1A	TERMINAL BLOCK END SECTION	4-22ES
3	TILT SWITCH	4-M605	1			
2	POWER SWITCH	PE135	1			
1B	TERMINAL BLOCK SECTION	4-22TB	1			
1A	TERMINAL BLOCK END SECTION	4-22ES	1			
ITEM	DESCRIPTION	PART NO.	QTY	ITEM	DESCRIPTION	PART NO.

UNLESS OTHERWISE SPECIFIED DIMENSIONS ARE IN INCHES TOLERANCES ARE: FRACTIONS DECIMALS ANGLES ± .XX ± .00X ±				PART NO. SCALE 1:1 H/D/Y		CROWN FOOD SERVICE EQUIPMENT L	
DESIGNED				DRAWN JD		GLT-20 - 60	
CHECKED				APP'D		120V-1PH-50/60HZ	
NO.				BY		DATE	
DESCRIPTION				PROJECTION		MITCO BURNER MODEL JB-83DS	
REVISIONS				DO NOT SCALE DRAWING		DRAWING NO. 1G-00003	
						SIZE A	
						REV	