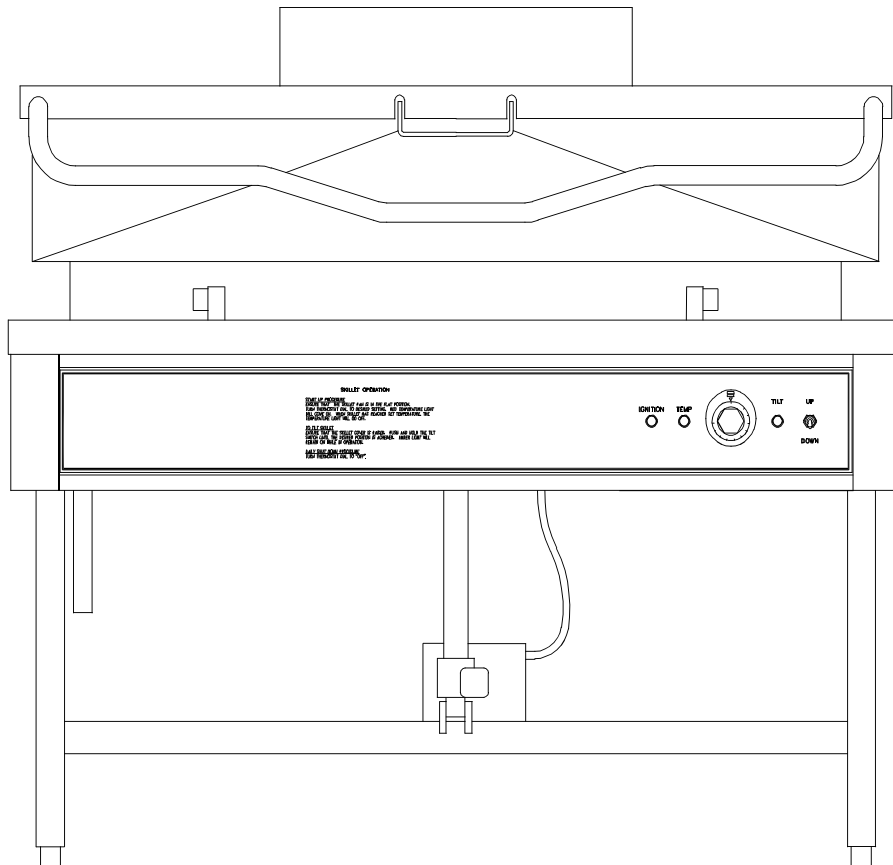


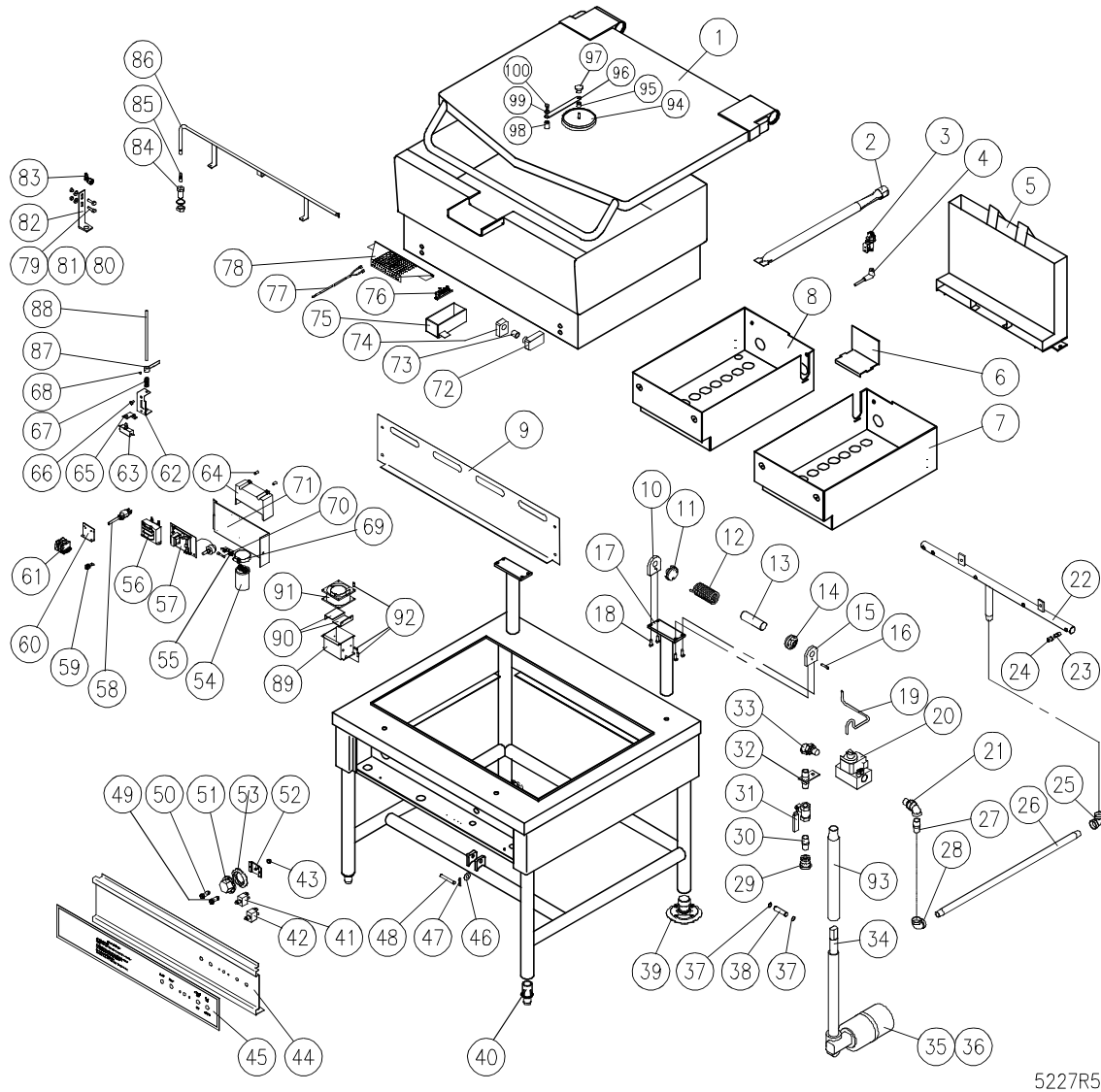
PARTS LIST
GAS TILTING SKILLETS
MODELS: GLTS-30
GLTS-40



CROWN FOOD SERVICE EQUIPMENT LTD.
70 OAKDALE ROAD, DOWNSVIEW, (TORONTO), ONTARIO, M3N 1V9
TELEPHONE: (416) 746-2358, FAX: (416) 746-8324
PRINTED IN CANADA

PARTS LIST, GAS TILTING SKILLETS, MODELS GLTS-30, GLTS-40

FIGURE 1



5227R5

PARTS LIST, GAS TILTING SKILLETS, MODELS GLTS-30, GLTS-40

FIGURE 1

<u>ITEM</u>	<u>PART NO.</u>	<u>DESCRIPTION</u>	<u>QUANTITY</u>	
			<u>GLTS-30</u>	<u>GLTS-40</u>
1.	7386-2	Pan Cover Assembly	1	
	7387-2	Pan Cover Assembly		1
2.	7227-1	Burner	4	6
** 3.	9-3380	Pilot Complete With Spark Ignitor, Natural Gas	1	1
	9-3380-1	Pilot Complete With Spark Ignitor, Propane	1	1
4.	5169-2	Ignition Cable	1	1
5.	6891-1	Flue Assembly	1	
	6888-1	Flue Assembly		1
6.	4872-1	Compartment Spacer	1	1
7.	7126-1	Right Hand Burner Compartment	1	
	7128-1	Right Hand Burner Compartment		1
8.	7125-1	Left Hand Burner Compartment	1	
	7127-1	Left Hand Burner Compartment		1
9.	2630-1	Back Panel	1	
	2641-1	Back Panel		1
10.	8-2021	End Stop Plate	2	2
11.	5429-1	Rotary Disc	2	2
12.	8-2026	Spring	2	2
13.	5430-1	Core	2	2
14.	5428-1	Stationary Disc	2	2
15.	8-2035L	End Lock Plate	2	2
16.	8-2029	Lock Pin	2	2

PARTS LIST, GAS TILTING SKILLETS, MODELS GLTS-30, GLTS-40

<u>ITEM</u>	<u>PART NO.</u>	<u>DESCRIPTION</u>	<u>QUANTITY</u>	
			<u>GLTS-30</u>	<u>GLTS-40</u>
17.	3699-1	Hinge Support Assembly	2	
	3699-2	Hinge Support Assembly		2
18.	1-66S6	Cap Screw, 5/8-18 x 3/4"	8	8
19.	5724-1	Pilot Burner Tube, 30 gallon	1	
	5724-2	Pilot Burner Tube, 40 gallon		1
**20.	5450-1	Combination Gas Control, Natural Gas	1	1
	5450-2	Combination Gas Control, LP	1	1
21.	4446-1	Union Elbow Assembly, 1/2"	1	1
22.	2432-1	Gas Manifold Assembly	1	
	1189-1	Gas Manifold Assembly		1
23.	3-122A	Orifice Nipple	4	6
**24.	9-3351-44	Burner Orifice, Natural Gas	4	
	9-3351-47	Burner Orifice, Natural Gas		6
	9-3351-55	Burner Orifice, LP	4	
	9-3351-56	Burner Orifice, LP		6
25.	9011-3	90° Elbow, 1/2"	1	1
26.	9009-274	Pipe, 1/2" x 27-1/2"	1	1
27.	9009-014	Nipple, 1/2" x 1-1/2"	1	1
28.	9011-3	90° Elbow, 1/2"	1	1
29.	9034-1	Reducing Coupling, 3/4" x 1/2"	1	1
30.	9009-000	Close Nipple, 1/2"	1	1
31.	9-2007	Gas Shut Off Valve	1	1
32.	5239-1	Nipple with Flange, 1/2" x 2-1/2"	1	1
33.	3-U4BE	Union Elbow, 1/2"	1	

PARTS LIST, GAS TILTING SKILLETS, MODELS GLTS-30, GLTS-40

<u>ITEM</u>	<u>PART NO.</u>	<u>DESCRIPTION</u>	<u>QUANTITY</u>	
			<u>GLTS-30</u>	<u>GLTS-40</u>
**34.	5526-1	Ball Drive Actuator Assembly, 115V (Includes 35, 36, 93)	1	1
	5525-1	Ball Drive Actuator Assembly, 220V (Includes 35, 36, 93)	1	1
**35.	9-3329	Motor 115V	1	1
	9-3326	Motor 220V	1	1
36.	4267-1	Motor Cover	1	1
37.	1-R350	Retaining Ring	2	2
38.	9-3036	Yoke Pin	1	1
*	4060-1	Bushing	2	2
39.	8-1308	Adjustable Foot-Flanged	2	2
40.	5-FS64-1	Adjustable Foot	2	2
41.	9110-1	Power Switch	1	1
42.	9111-1	Up/Down Switch	1	1
43.	9109-2	Rotary Shaft Seal	1	1
44.	2527-1	Control Panel	1	
	2609-1	Control Panel		1
45.	6854-2	Control Panel Label	1	
	6855-2	Control Panel Label		1
46.	9078-2	Washer, 1" Diameter x 3/8 OD	1	1
47.	5329-2	Cotter Pin, 1/8 x 3/4 S.S.	1	1
48.	3733-1	Pin Lower	1	1
49.	5396-8	Pilot Light - Temperature, Red	1	1
50.	5396-7	Pilot Light - Ignition, Green	1	1
**51.	4352-1	Dial F°	1	1

PARTS LIST, GAS TILTING SKILLETS, MODELS GLTS-30, GLTS-40

<u>ITEM</u>	<u>PART NO.</u>	<u>DESCRIPTION</u>	<u>QUANTITY</u>	
			<u>GLTS-30</u>	<u>GLTS-40</u>
**51.	4689-1	Dial C°	1	1
52.	3691-1	Pot Spacer	1	1
53.	4-TB05	Bezel	1	1
**54.	9-3327	Capacitor 30 MFD, 120V	1	1
	9-3324	Capacitor 10 MFD, 220V	1	1
55.	9068-1	Fuse Holder	1	1
**56.	9123-1	Transformer, 115/230V-24V, 50/60 Hz, 50 VA	1	1
**57.	5555-1	Temperature Control complete with Potentiometer, 120V	1	1
	5555-2	Temperature Control complete with Potentiometer, 240V	1	1
58.	4127-3	Power Cord - 120V Only	1	1
59.	4-70EU	Ground Lug	1	1
60.	3839-1	Terminal Block Bracket	1	1
61.	4-22TB	Terminal Block Section	2	2
	4-22ES	End Section	1	1
62.	5415-1	Switch Mounting Bracket	1	1
63.	9-3213	Limit Switch	1	1
64.	9210-2	Ignition Module	1	1
	9082-4	Phenolic Spacer, # 8 x 1/2"	2	2
65.	5416-1	Switch Bracket	1	1
66.	M33S-1024-38	Machine Screw, 10-24 x 3/8"	2	2
67.	5419-1	Spring	1	1
68.	S08N-832-316	Set Screw, 8-32 x 3/16	1	1
69.	9017-5	Gear Clamp	1	1

PARTS LIST, GAS TILTING SKILLETS, MODELS GLTS-30, GLTS-40

<u>ITEM</u>	<u>PART NO.</u>	<u>DESCRIPTION</u>	<u>QUANTITY</u>	
			<u>GLTS-30</u>	<u>GLTS-40</u>
70.	9092-1	Fuse - 1 Amp, 250V	1	1
71.	4471-1	Control Mounting Plate	1	1
72.	2551-1	Tilt Bracket Assembly	2	2
73.	3704-1	Bushing	2	2
74.	3703-2	Tilt Bracket	2	2
75.	2426-1	High-Limit Box	1	1
76.	9-3021	High-Limit Safety Thermostat	1	1
77.	4344-1	Thermocouple	1	1
78.	7380-1	Strainer	1	1
79.	M50C-1420-12	Hex Cap Screw, 1/4-20 x 1/2	2	2
80.	S01C14	Lock Washer, 1/4"	2	2
81.	9029-1	Hex Nut, 1/4 - 20	2	2
82.	3991-1	Lighter Orifice Bracket	1	1
83.	3-694A	Elbow, 1/4 cc x 1/8 MPT	1	1
84.	3-129B	Bulk Head	1	1
** 85.	9-3335-56	Lighter Orifice, Natural Gas	1	1
	9-3335-65	Lighter Orifice, LP	1	
	9-3335-72	Lighter Orifice, LP		1
86.	6350-2	Lighter Tube	1	
	6351-2	Lighter Tube		1
87.	5418-1	Switch Actuator	1	1
88.	5417-1	Actuator Rod	1	1
89.	7229-1	Fan Bracket	1	1
90.	5410-1	Deflector	2	2
** 91.	9113-1	Box Fan, 120V	1	1

PARTS LIST, GAS TILTING SKILLETS, MODELS GLTS-30, GLTS-40

<u>ITEM</u>	<u>PART NO.</u>	<u>DESCRIPTION</u>	<u>QUANTITY</u>	
			<u>GLTS-30</u>	<u>GLTS-40</u>
** 91.	9113-2	Box Fan, 240V	1	1
92.	M23C-632-14	Machine Screw, 6-32 x 1/4"	10	10
93.	5400-1	Lift Jack Extension Shield	1	1
94.	4139-1	Vent Cover	1	1
95.	4355-1	Swivel Spacer	1	1
96.	5817-1	Arm	1	1
97.	4356-1	Knob	1	1
98.	4354-1	Swivel Base	1	1
99.	F01S-14	Washer, 1/4 SS	1	1
100.	1-55S3	Hex Bolt, 1/4 - 20 x 3/8 SS	1	1

* NOT SHOWN.

** SELECT AS REQUIRED.