



IMPORTANT FOR FUTURE REFERENCE Please complete this information and retain this manual for the life of the equipment:
Model #: _____
Serial #: _____
Date Purchased: _____

Parts Manual

Infrared Broilers



170



171



270



P32D-171

1100 Old Honeycutt Road Fuquay-Varina, North Carolina 27526 USA
www.southbendnc.com

Replacement parts may be ordered either through a Southbend Authorized Parts Distributer or a Southbend Authorized Service Agency. It is recommended to verify parts numbs with a Southbend Authorized Parts Supplier or the Southbend Parts/Service Department prior to ordering parts.

PARTS

The following tables and figures list serviceable parts. For parts that are not listed, contact a Southbend Authorized Parts Distributor or a Southbend Authorized Service Agency.

Table of Contents	
Page Number	Description
3	Broilers 170, 171
5	Broiler 270
7	Carriage Assembly Components
8	Meat Rack Frame
9	Outer Rack Frame
10	171 With Oven Base
12	Oven Base
14	Convection Oven Blower

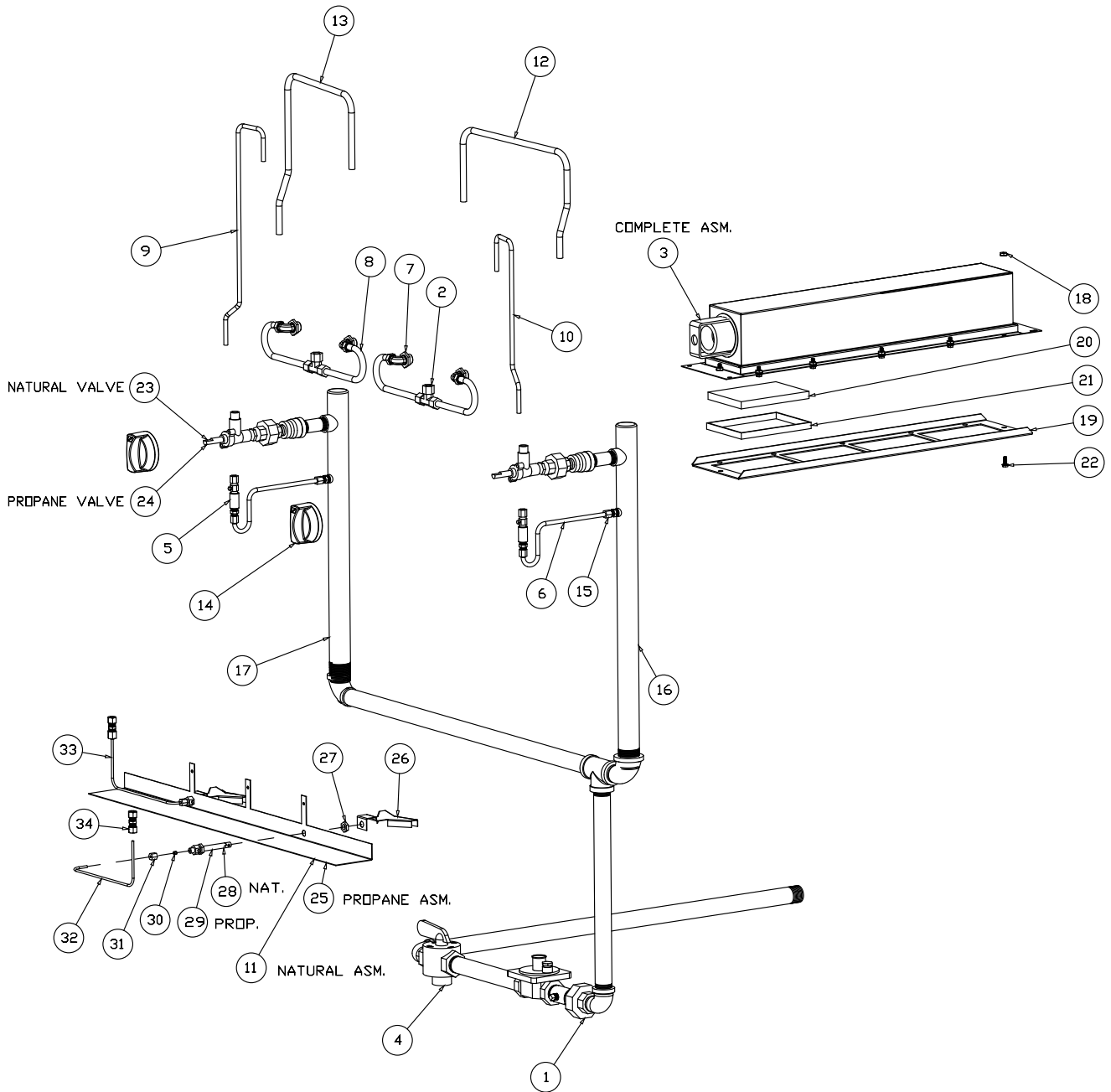
Broilers 170, 171

See drawing on following page

Key	Part Number	Description
1	1072998	PIPE ASM, SUPPLY
2	1147201	TEE
3	1163875	BURNER ASM, INFRARED
4	1164080	SA, SUPPLY MANIFOLD, NATURAL GAS
5	1164085	VALVE ASM, PILOT
6	1164093	PILOT SUPPLY TOP
7	1172602	ELBOW ORIFICE 90 DEGREE
8	1176291	BURNER SUPPLY / VENT TUBE
9	1176292	TUBE, PILOT SUPPLY
10	1176293	TUBE, PILOT SUPPLY
11	1401966	PILOT/ BRACKET ASM, NATURAL
12	1179483	TUBE, BURNER SUPPLY
13	1179484	TUBE, BURNER SUPPLY
14	1189600	KNOB, SECTIONAL
15	P5552	FITTING, 1/8NPTX1/4CC STRAIGHT
16	P9928-1	RIGHT SUPPLY PIPE
17	P9929	LEFT SUPPY PIPE
18	1146429	NUT, 10-24 KEP LOCK S/S
19	1194940	RETAINER, TILE HD BROILER
20	1163578	CERAMIC TILE (5 3/6 X 3 5/8)
21	1057515	FIBREFAX, 17-3/4'
22	1197899	SCREW, #10-24X 1/2 SLOT HEX SS
23	1176014	VALVE, BURNER, NATURAL
24	1176015	VALVE, BURNER, PROPANE
25	1402055	4-PILOT/BRACKET ASM, PROPANE
26	1168212	PILOT SHIELD
27	1148301	NUT, 3/8-27 BRASS JAM
28	1176664	PILOT, NATURAL
29	1176665	PILOT, PROPANE
30	1099103	FERRULE, 1/8 BRASS
31	1199104	NUT, 1/8 CC BRASS
32	1176295	PILOT SUPPLY TUBE, RT
33	1176294	PILOT SUPPLY TUBE, LT
34	1061298	UNION, 1/4CC BRASS

Figure 1

Broilers 170, 171



Broilers 270

See drawing on following page

Key	Part Number	Description
1	1072997	PIPE ASM, SUPPLY, 270
2	1147201	TEE
3	1163875	BURNER ASM, INFRARED
4	1164080	SA, SUPPLY MANIFOLD NATURAL GAS
5	1164085	PILOT VALVE ASM
6	1164093	TOP PILOT SUPPLY
7	1172602	ELBOW ORIFICE 90 DEGREE
8	1176291	BURNER SUPPLY/VENT TUBE
9	1176292	PILOT SUPPLY TUBE
10	1176293	PILOT SUPPLY TUBE
11	1401966	PILOT/BRACKET ASM, NATURAL
12	1179483	BURNER SUPPLY TUBE
13	1179484	BURNER SUPPLY TUBE
14	1189600	SECTIONAL KNOB
15	P5552	1/8 NPT I / 4 CC STRAIGHT FITTING
16	P9828	RIGHT MANIFOLD
17	P9827	LEFT MANIFOLD
18	1146429	10-24 X 1/2 SLOT HEX SS SCREW
19	1194940	TILE RETAINER HD BROILER
20	1163578	CERAMIC TILE
21	1057515	FIBREFAX
22	1197899	#10-24 X 1/2 SLOT HEX SS SCREW
23	1176014	BURNER VALVE, NATURAL
24	1176015	BURNER VALVE, PROPANE
25	1402055	4-PILOT BRACKET ASM, PROPANE
26	1168212	PILOT SHIELD
27	1148301	3/8-27 BRASS JAM NUT
28	1176664	PILOT, NATURAL
29	1176665	PILOT, PROPANE
30	1099103	1/8 BRASS FERRULE
31	1099104	1/8 CC BRASS NUT
32	1176295	RIGHT PILOT SUPPLY TUBE
33	1176294	LEFT PILOT SUPPLY TUBE
34	1061298	1/4 CC BRASS UNION

Figure 2

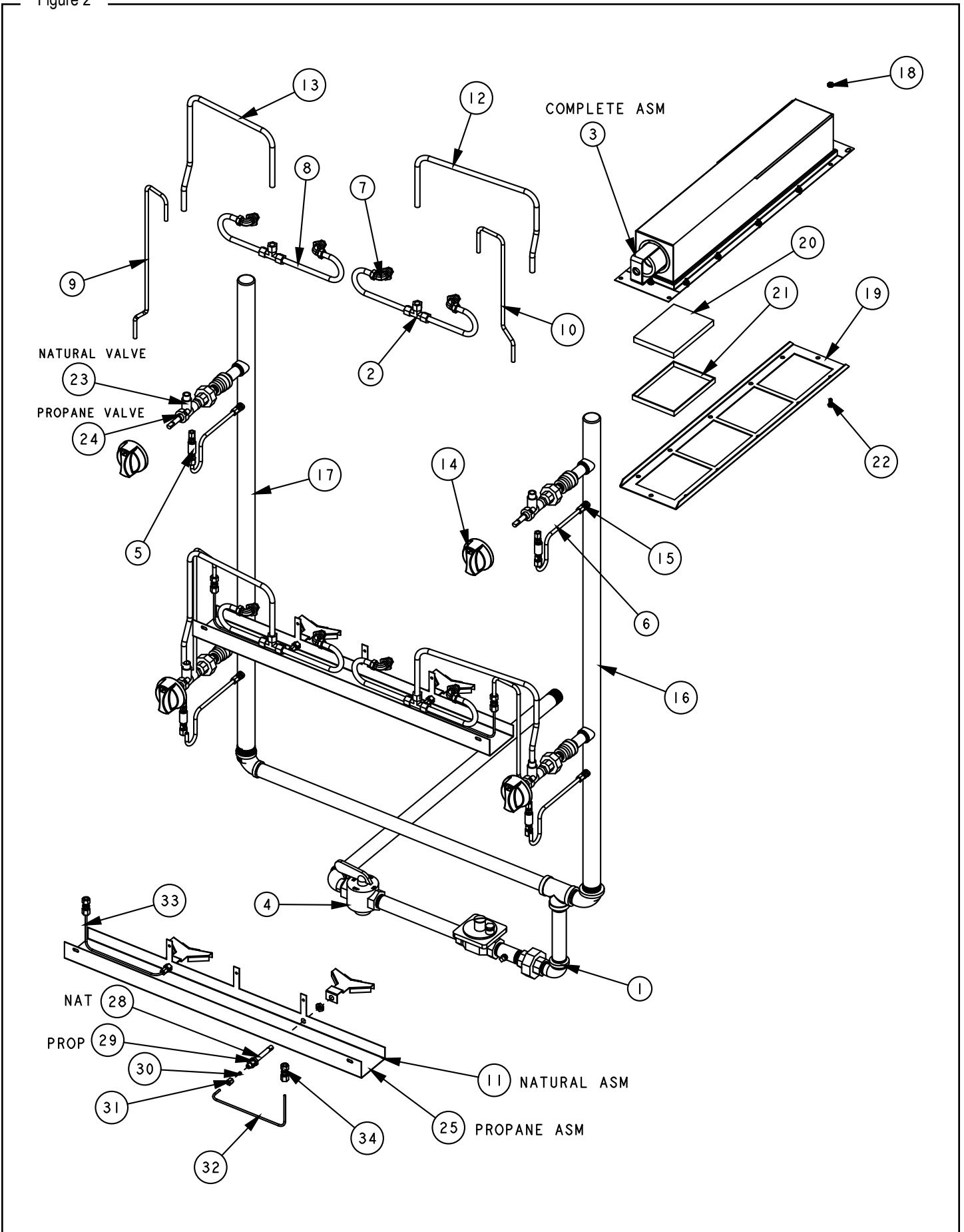
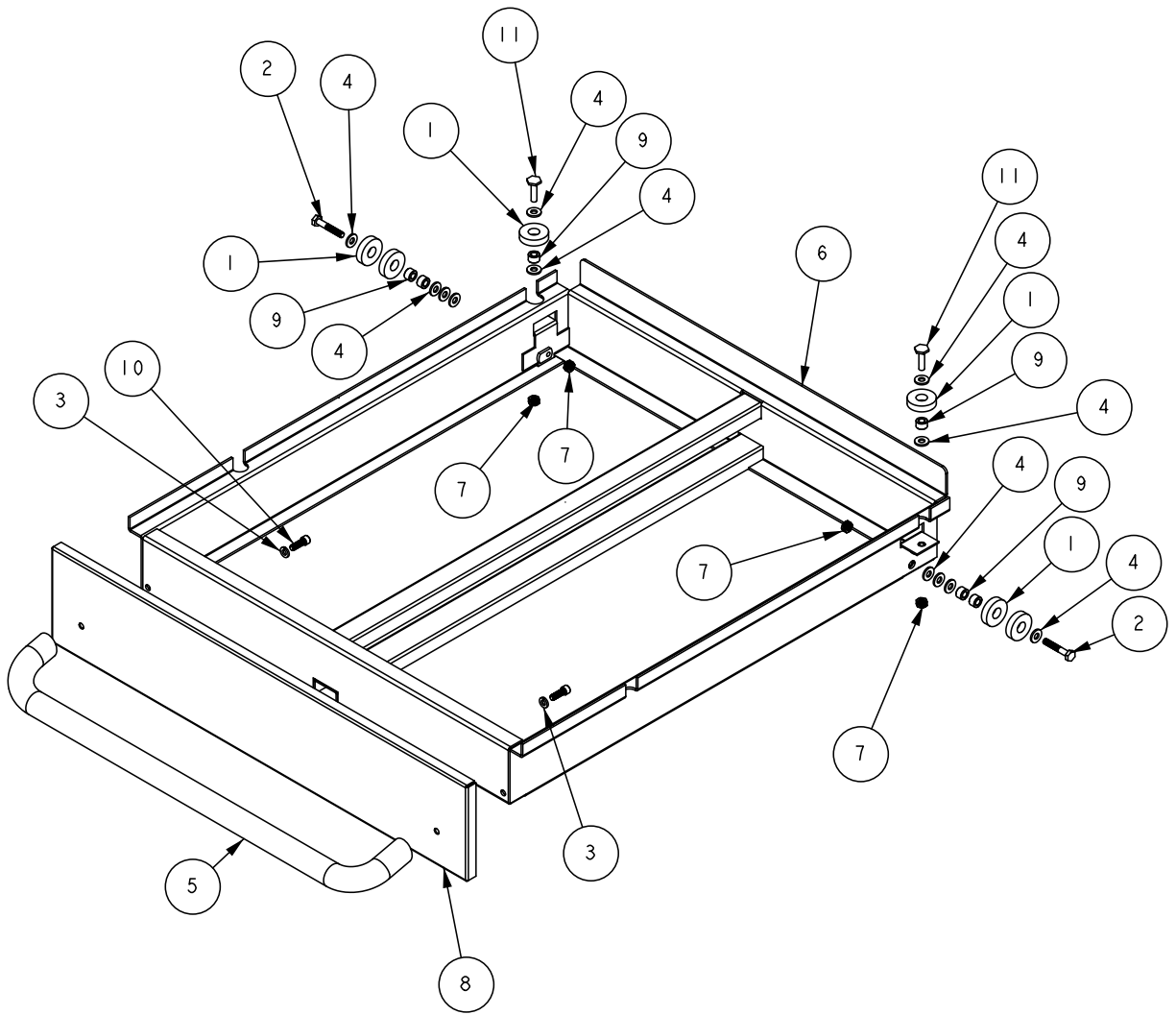


Figure 3

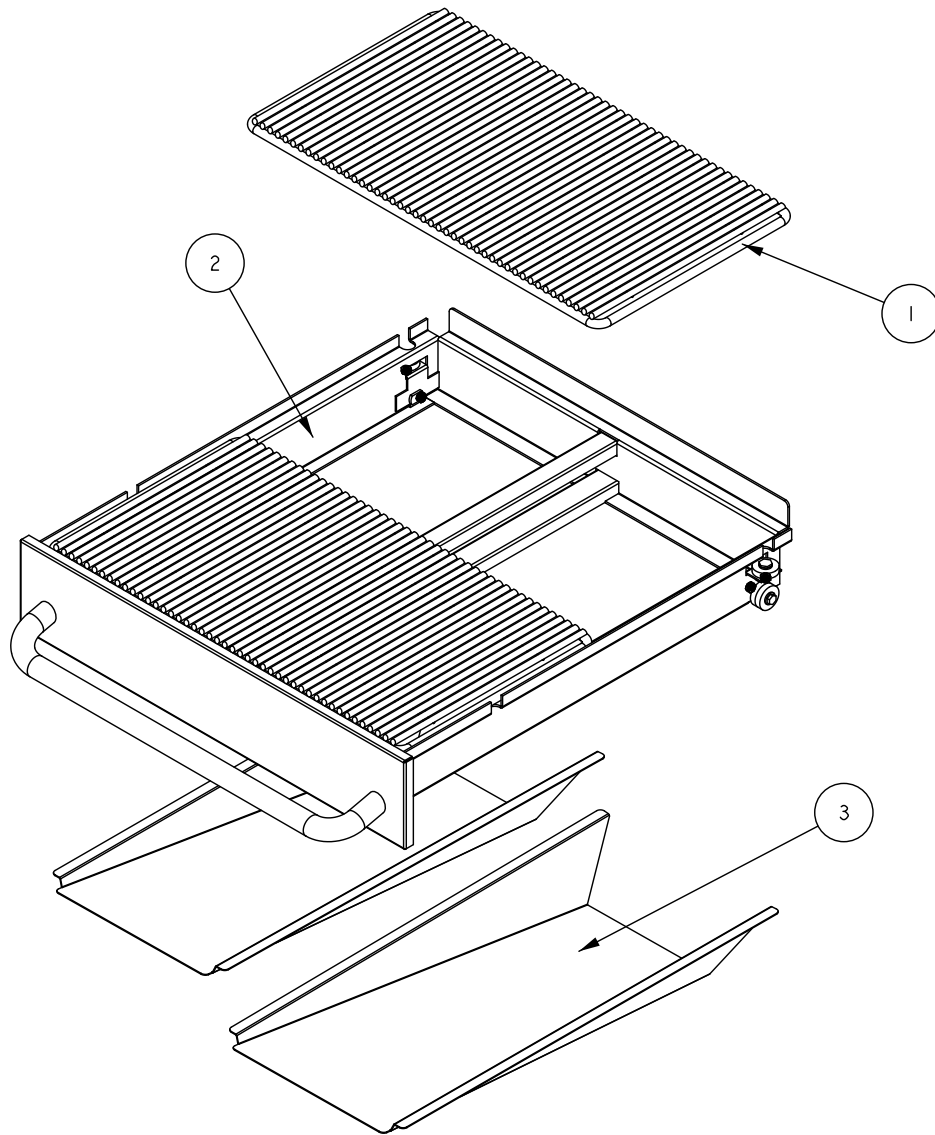
Carriage Assembly Components



Key	Part Number	Description
1	1-3507	BEARING, BALL
2	1146267	SCREW, PLAIN, 1/4-20X1/2 HEX HED
3	1146500	WASHER 1/4, LOCK
4	1146507	WASHER 1/4, FLAT
5	1184227	HANDLE, CHROME BROILER RACK
6	1401721	W/A, CARRIAGE
7	1401726	NUT 1/4-20, LOCKING
8	1401727	CARRIAGE, FACE PLATE
9	1401790	BEARING, INSERT
10	1402297	CAP SCREW, HEX DRIVE
11	19A1S37	1/4-20 HEX HEAD

Figure 4

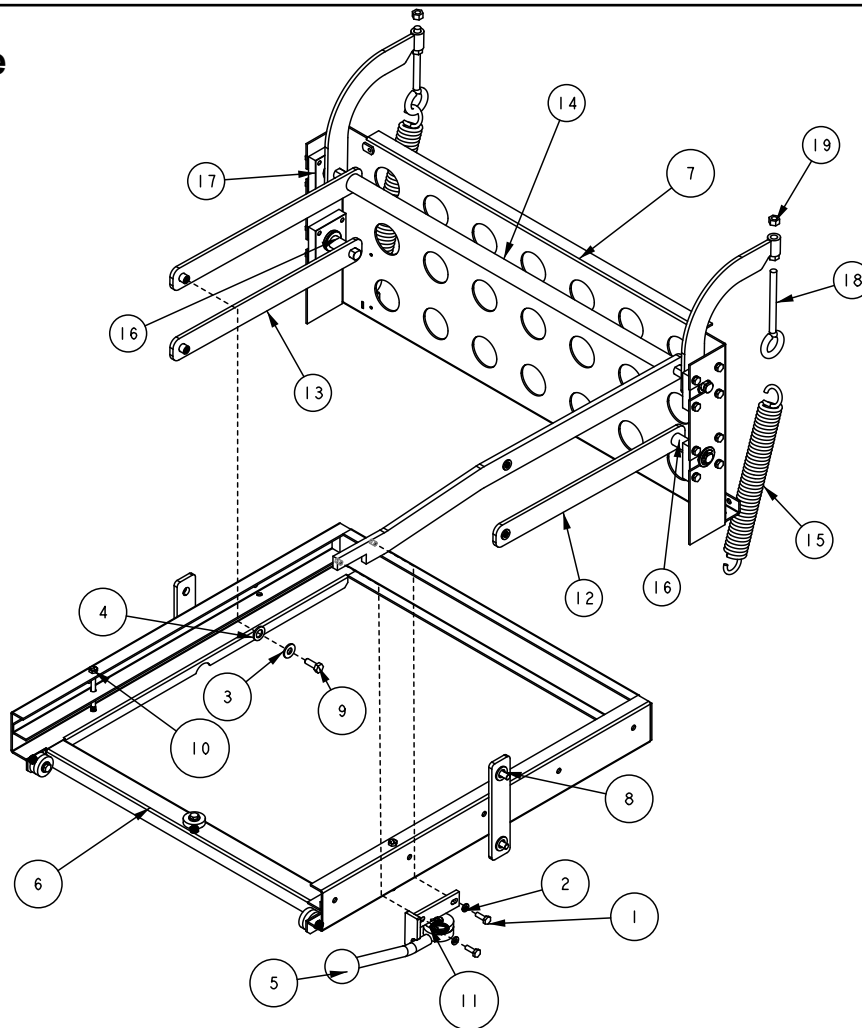
Meat Rack Frame



Key	Part Number	Description
1	1119598	BROILER RACK
2	1401720	ASM, CARRIAGE
3	1401729	CARRIAGE, DRIP PAN

Figure 5

Outer Rack Frame



Key	Part Number	Description
1	1146201	1/4 - 20 X 3/4 HEX HEAD SCREW
2	146500	1/4 LOCK WASHER
3	146505	5/16 FLAT WASHER
4	1146521	1/2 FLAT WASHER
5	1190952	2" BALL KNOB
6	1401686	FRAME RACK ASSEMBLY
7	1401697	RACK FRAME W/A
8	1401730	5/16-18 - X 1 " BOLT
9	1401731	5/16-18 X . 880 " 11 BOLT
10	1401804	1/4-20 X 3.25 HEX HEAD BOLT
11	402015	HANDLE W/A
12	401708	RACK ARM W/A
13	1401688	RACK ARM W/A
14	1401687	RACK ARM W/A
15	1060500	RACK SPRING
16	1401784	SHAFT SPACER
17	1191084	BOLT PLATE ASSEMBLY
18	1062200	EYE BOLT
19	1146403	318-16 HEX NUT

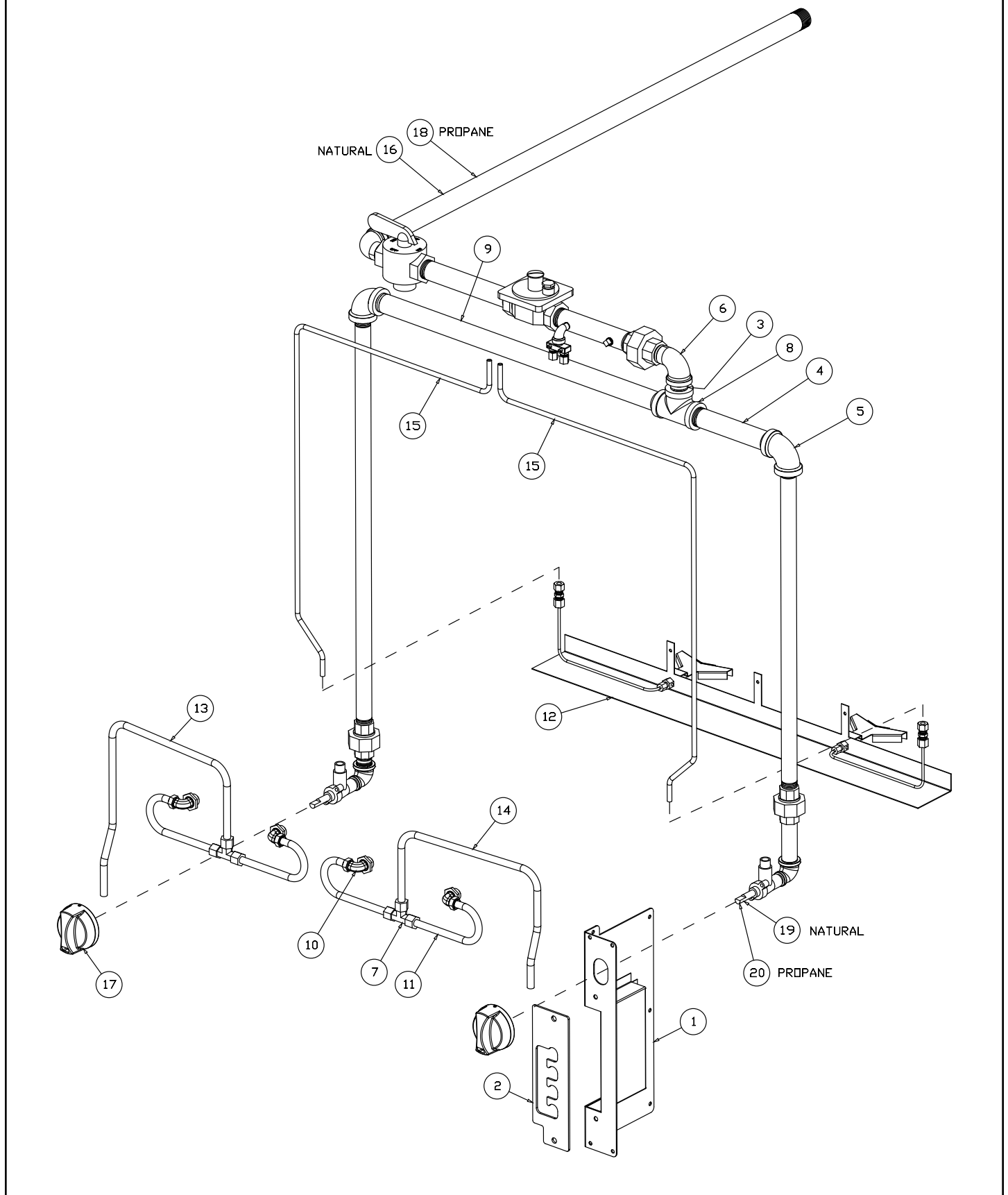
171 With Oven Base

See drawing on following page

Key	Part Number	Description
1	4254	RT VALVE COVER PLATE ASSY
2	1106814	INDEX PLATE
3	1146801	NIPPLE, PIPE
4	1146831	NIPPLE, PIPE, BLK, 3/4" X 6"
5	1146904	FITTING, ELBOW 90 DEG
6	1146910	ELBOW 90 DEG, STREET
7	1147201	TEE
8	1147304	TEE, PIPE, BLK 3/4
9	1163506	PIPE, 3/4" X 20 1/2"
10	1172602	ELBOW ORIFICE 90 DEGREE
11	1176291	BURNER SUPPLY / VENT TUBE
12	1179411	PILOT / BRACKET ASM, NAT
13	1179491	TUBE, BURNER SUPPLY, LEFT
14	1179492	TUBE BURNER SUPPLY, RIGHT
15	1179493	TUBE PILOT SUPPLY
16	1179499	SA SUPPLY, MANIFOLD NAT
17	1189600	KNOB SECTIONAL
18	1179500	MANIFOLD ASM, PROPANE
19	1176014	VALVE, BURNER, NATURAL
20	1176015	VALVE, BURNER, PROPANE

Figure 6

171 With Oven Base



Oven Base

See drawing on following page

Key	Part Number	Description
1	1180776	BAFFLE W/A OVEN BOTTOM/FLAME
2	1180528	RACK GUIDE
3	6600	CLIP, SIDE RACK SUPPORT
4	1186598	POWER SWITCH
5	1186599	ON/OFF FUN SWITCH, (FOR CO OVEN)
6	1189754	KNOB, OVEN THERMOSTAT
7	1191727	THERMOSTAT (UNITS FOR STANDING PILOT)
	1189744	THERMOSTAT (UNITS FOR ELECTRIC IGNITION)
	1194698	THERMOSTAT (UNITS WITH STANDING PILOTS, 650 DEGREE OVEN)
8	1195100	DOOR, ASM 36 OVEN
9	1186547	SPRING, WIRE
10	1195098	ASM, LEFT DOOR CHAIN SWITCH CO OVEN
	1195092	ASM, DOOR CHAIN, STD OVEN
11	1195097	BRACKET ASM, LEFT ROLLER
12	1191734	ASM, PULLEY AND BUSHING
13	1195149	DOOR SWITCH, S/A LEFT
	1177567	SWITCH DOOR OVEN
14	1189812	TUBE, FLEX, 3/8 X 4"
15	1188788	COMBINATION VALVE, 120V/60 (UNITS WITH STANDING PILOTS)
16	1185533	SOLENOID & VALVE, 120V/60 (UNITS WITH ELECTRONIC IGNITION)
17	1187476	TUBE, FLEX, 3/8 X 4"
18	1183568	BRACKET ORIFICE
19	1187994	BURNER & PILOTS, ASM OVEN NATURAL (UNITS WITH STANDING PILOT)
	1187993	BURNER & PILOTS, ASM OVEN PROPANE (UNITS WITH STANDING PILOT)
20	1194918	BURNER & PILOTS, ASM OVEN NATURAL (UNITS WITH ELECTRONIC IGNITION)
	1183567	BURNER & PILOTS, ASM OVEN PROPANE (UNITS WITH ELECTRONIC IGNITION)
	1165733	BURNER FOR ABOVE ASSEMBLIES
21	1187672	PILOT TUBE (UNITS WITH STANDING PILOT)
22	1185851	PILOT TUBE (UNITS WITH AUTO IGNITION)
23	1194917	PILOT, GAS OVEN, NATURAL
	1168263	PILOT, GAS OVEN PROPANE
24	1183504	PILOT SHIELD BRACKET (UNITS WITH ELECTRONIC IGNITION)
25	5373-1	IGNITION MODULE
26	1164087	ELECTRODE (UNITS WITH ELECTRONIC IGNITION)
27	1176099	VALVE, BURNER
28	1164148	ELBOW, FEMALE 3/8 NPT X 3/8CC

Figure 7

Oven Base

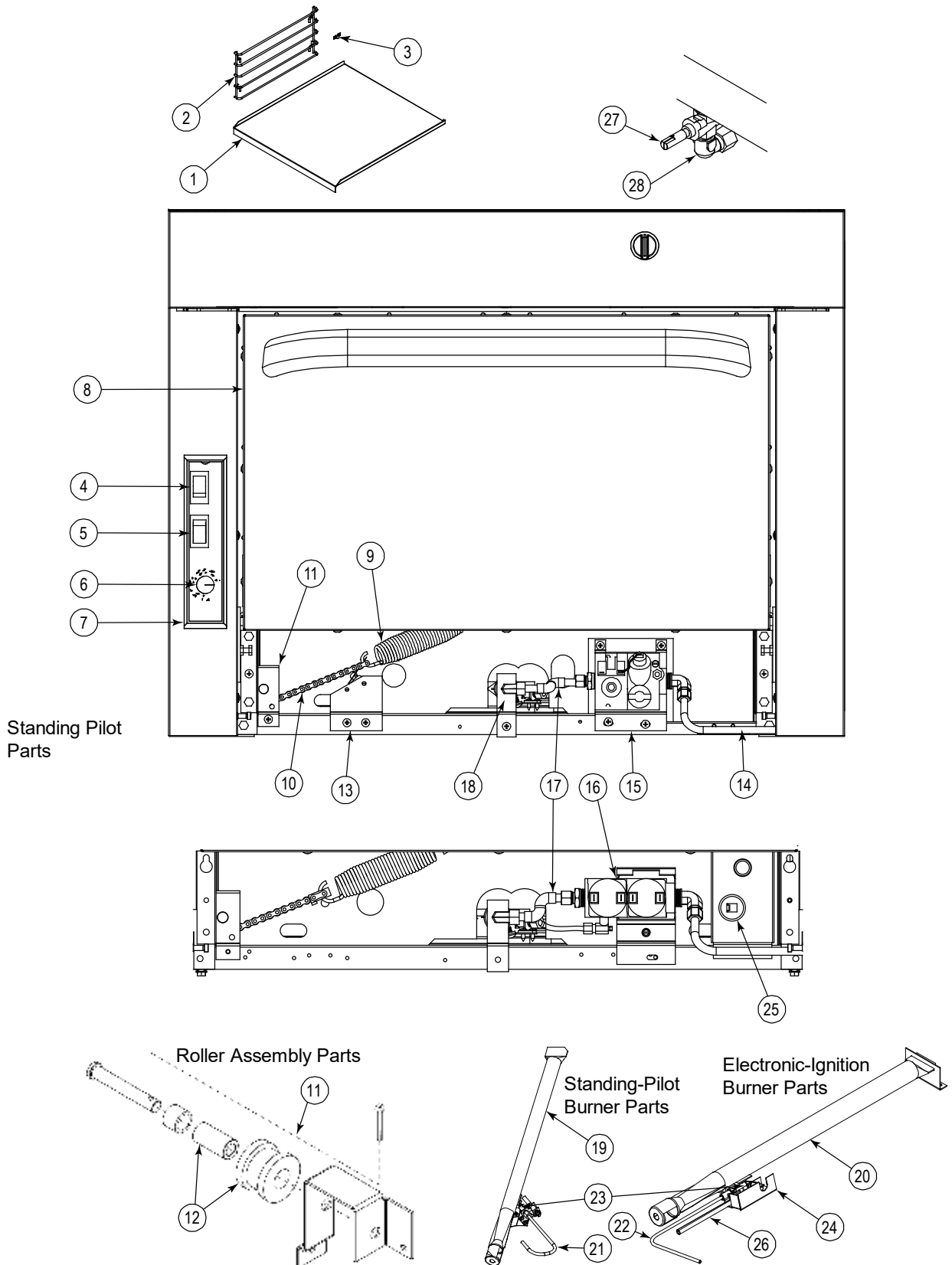
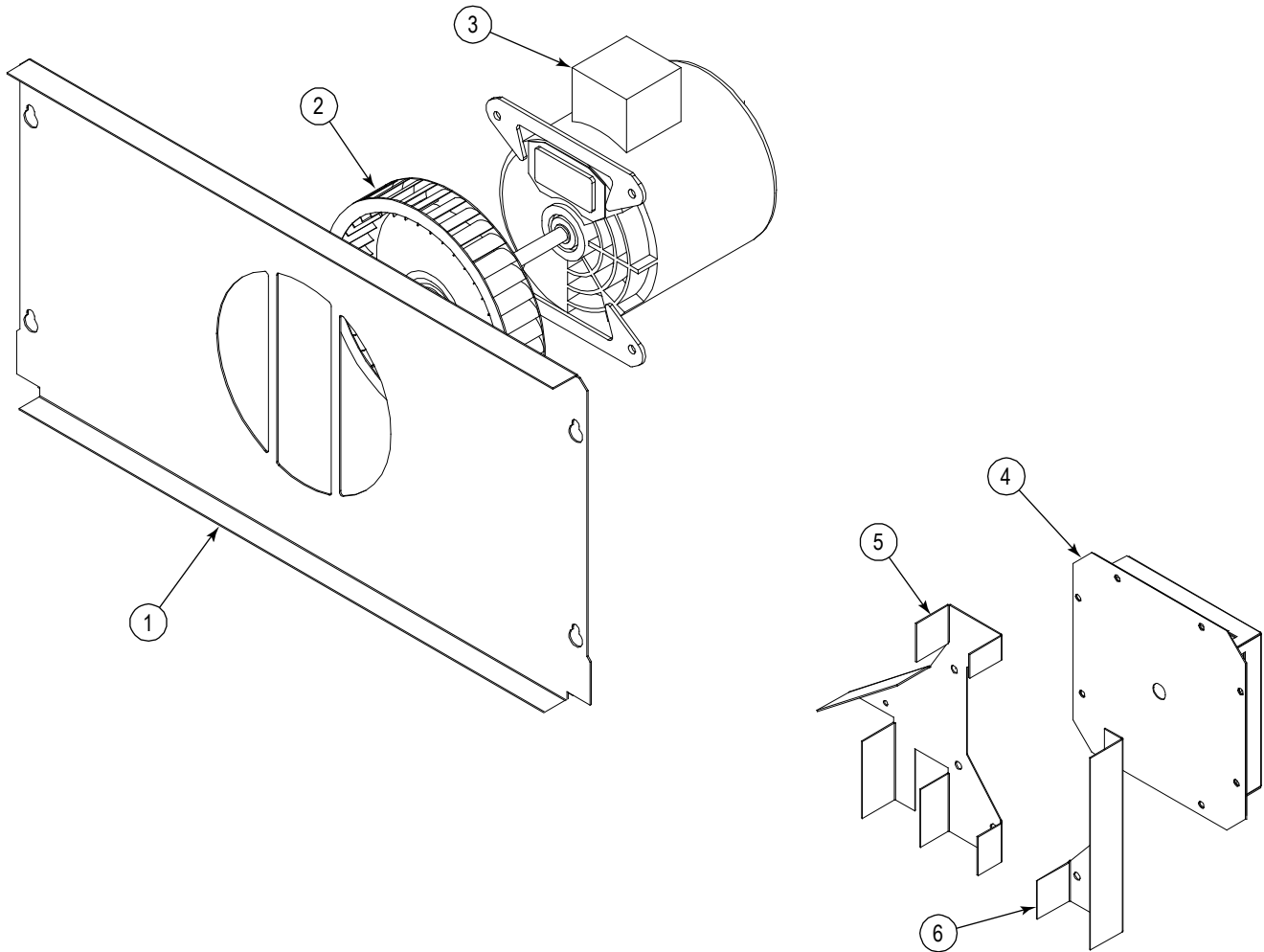


Figure 8

Convection Oven Blower



Key	Part Number	Description
1	1180834	OVEN BAFFLE CO
2	1177520	BLOWER WHEEL
3	1194780	MOTOR, 1/2 HP, 115 VOLT
	1194781	MOTOR, 208/240 VOLT
4	1180821	POCKET W/A, BLOWER, 500 SERIES
5	1181747	SHIELD, RT BLOWER, 500 SERIES
6	1181748	SHIELD, RT BLOWER, 500 SERIES

INFRARED BROILER PARTS

Notes:

Notes:

INFRARED BROILER PARTS

Notes:

INFRARED BROILERS



A product with the Southbend name incorporates the best in durability and low maintenance. We all recognize, however, that replacement parts and occasional professional service may be necessary to extend the useful life of this appliance. When service is needed, contact a Southbend Authorized Service Agency, or your dealer. To avoid confusion, always refer to the model number, serial number, and type of your appliance.



Southbend
 1100 Old Honeycutt Road Fuquay-Varina, North Carolina 27526 USA
www.southbendnc.com