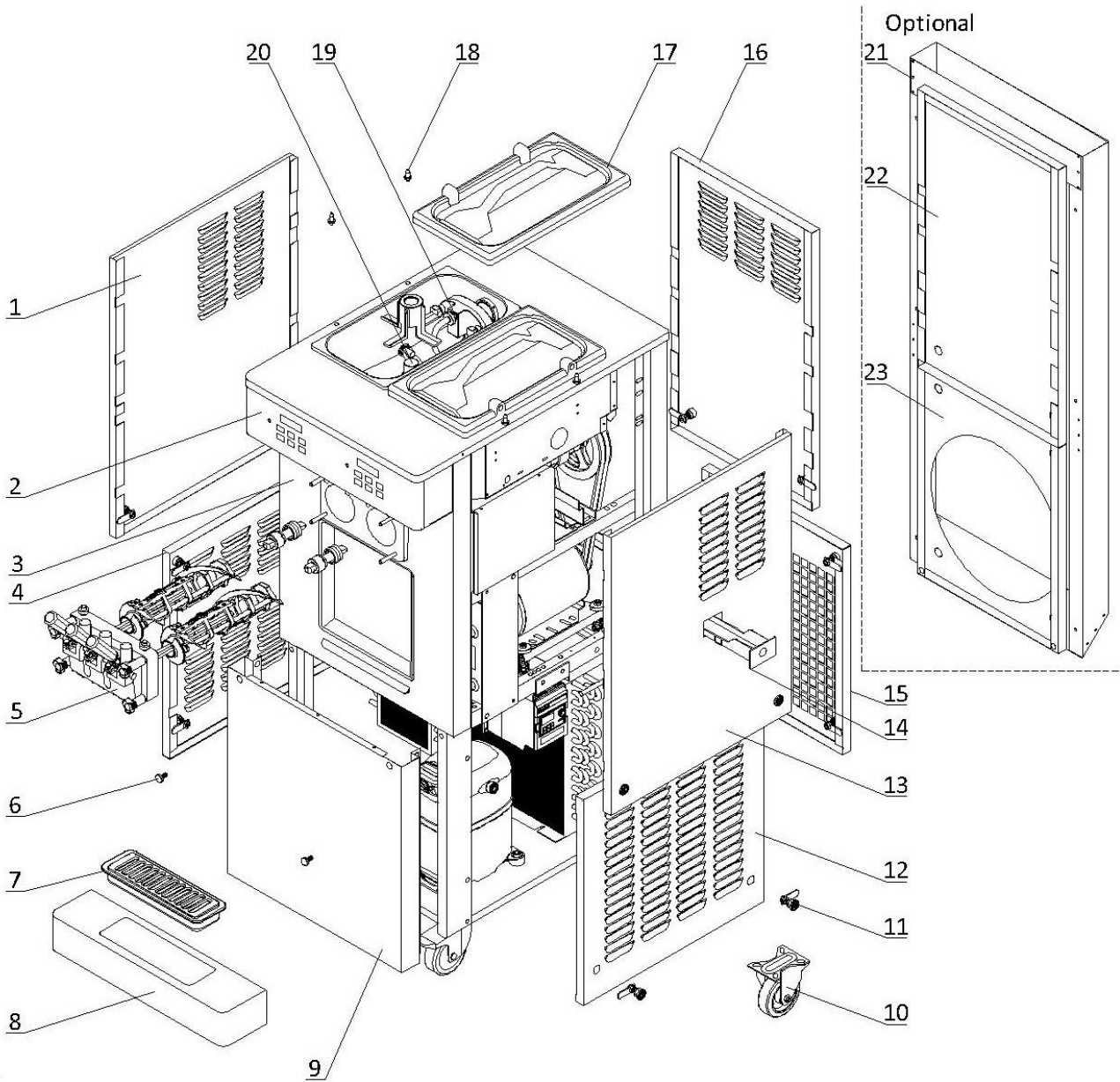


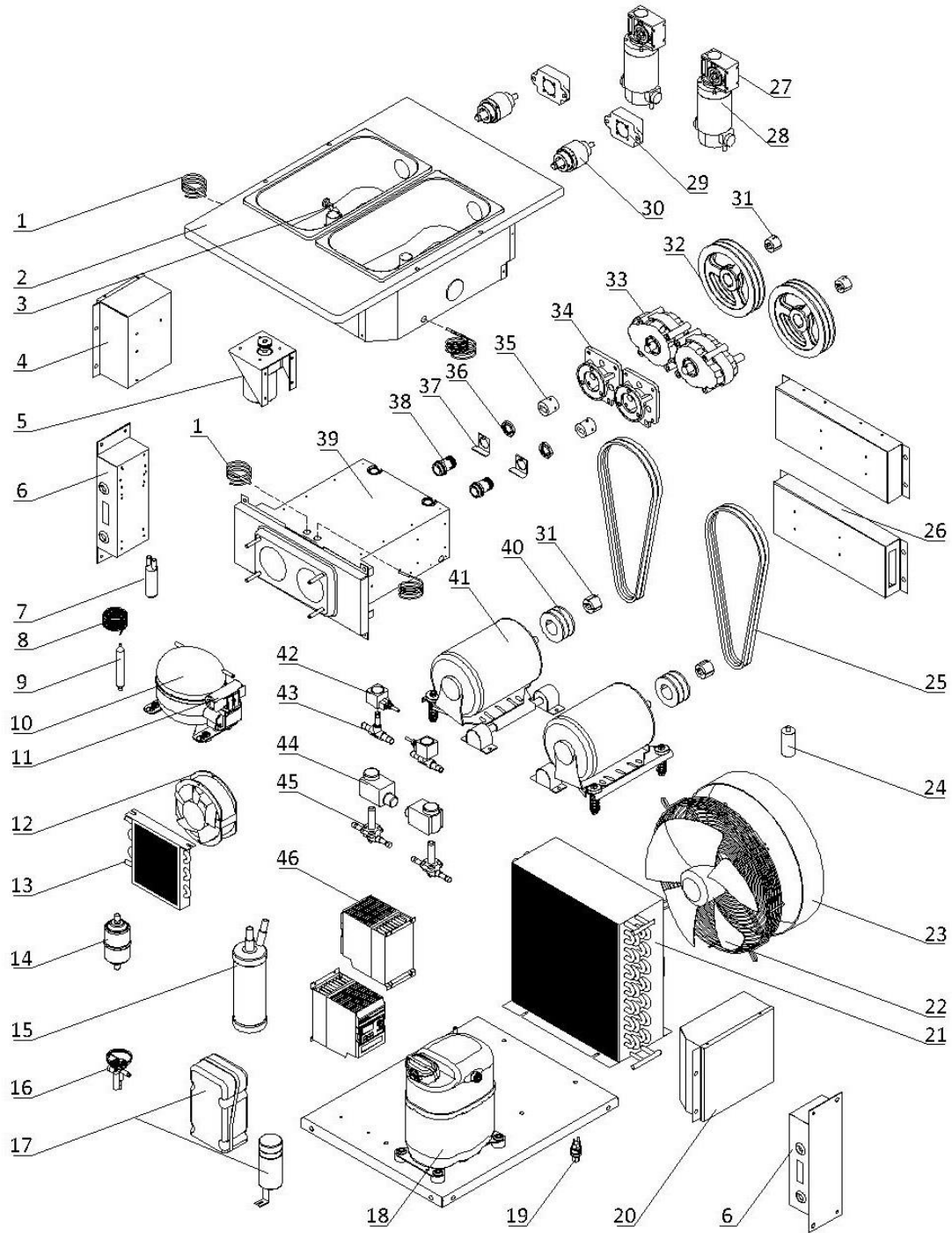
**1. External Parts**



## 1. External Parts

Item	Part Number	Description	Qty.
1	2.3.4.19.007	Panel - Upper Left - 6250-C/6250-AC	1
2	Page 6	Draw Switch and Front Control Panel	1
3	2.3.4.16.056	Panel - Upper Front - 6250-C/6250-AC	1
4	2.3.4.35.012	Panel - Lower Left - 6250-C/6250-AC	1
5	Page 5	Dispensing Door and Beater	1
6	3.6.39.004	Drip Tray Mounting Bolt	2
7	<a href="#">3.4.04.01.006</a>	Front Drip Tray - 30mm	1
8	<a href="#">2.3.4.45.055</a>	Support - Front Drip Tray	1
9	2.3.4.17.041	Panel - Lower Front - 6250-C/6250-AC	1
10	<a href="#">3.3.05.02.001</a>	Caster Swivel - 100X34	4
11	8.1.07.001	Panel Lock Assembly	18
12	2.3.4.22.033	Panel - Lower Right - 6250-C/6250-AC	1
13	2.3.4.21.014	Panel - Upper Right - 6250-C/6250-AC	1
14	<a href="#">3.4.04.02.001</a>	Internal Drip Tray - 45mm	1
15	2.3.4.15.039	Panel - Lower Rear - 6250-C/6250-AC	1
16	2.3.4.14.029	Panel - Upper Rear - 6250-C/6250-AC	1
17	<a href="#">3.4.03.01.004</a>	Hopper Lid - 12-15L	2
18	<a href="#">3.6.39.011</a>	Hopper Lid Holder	4
19	Page 7	Air Pump	2
20	Page 8	Hopper Agitator	2
21	2.3.4.34.045	Air Chute - 6250-C/6250-AC (Optional)	1
22	2.3.4.14.031	Panel - Upper Rear - Air Chute - 6250-C/6250-AC (Optional)	1
23	2.3.4.15.041	Panel - Lower Rear - Air Chute - 6250-C/6250-AC (Optional)	1

**2. Internal Parts**

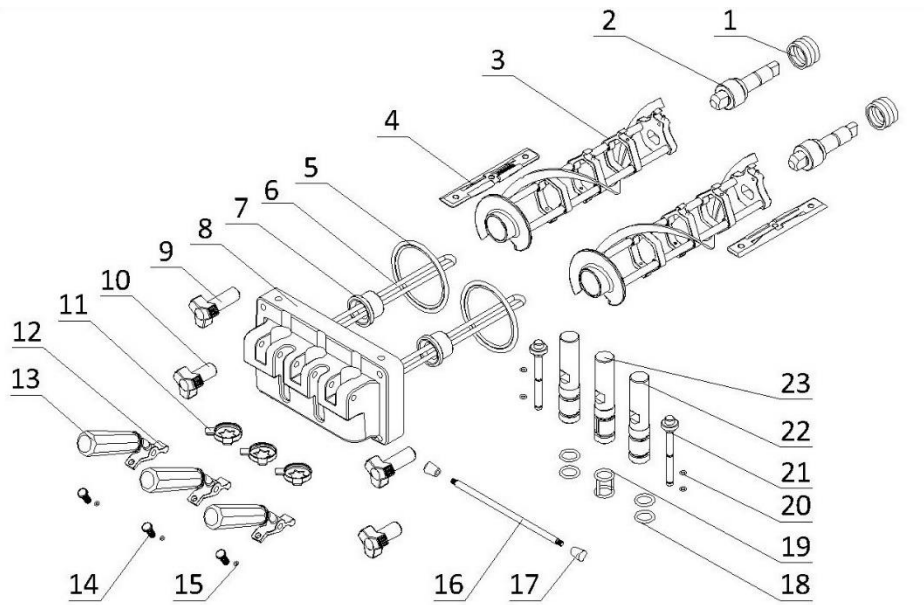


**2. Internal Parts**

Item	Part Number	Description	Qty.
1	<a href="#">3.1.02.13.020</a>	Temperature Probe - PT100	4
2	<a href="#">2.1.1.05.0092</a>	Hopper Assembly - 6235-AC/6250-AC	1
3	<a href="#">920.1.04.0002</a>	Mix Low Sensor Assembly	2

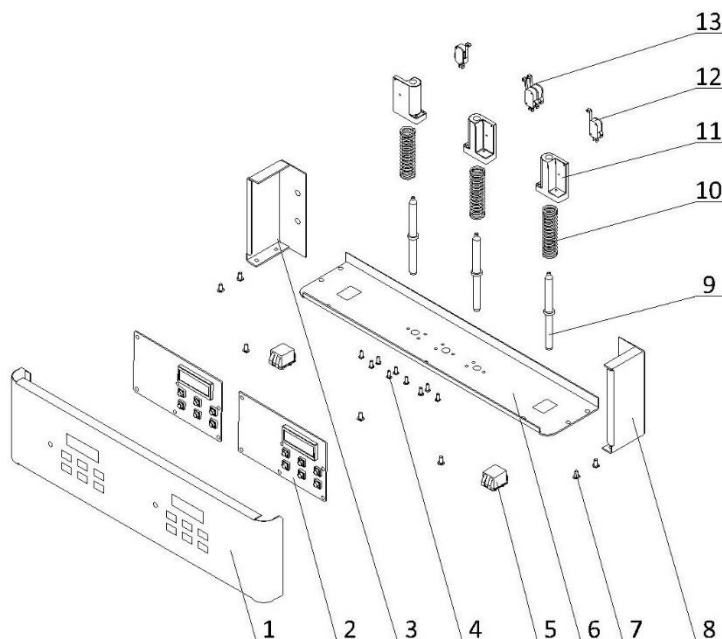
4	Page 10	Electrical Box - Left	1
5	Page 8	Agitator Motor	1
6	Page 9	Control Box	2
7	3.2.04.07.001	Suction Accumulator - 25x100x0.6	1
8	3.2.05.01.003	Capillary Tube - 2.2x0.9	1
9	3.2.04.05.001	Filter Drier - Hopper - 16x2.2x120	1
10	3.2.01.01.002.A	Auxiliary Compressor - EM30HHR	1
11	3.2.01.01.002-1	Start Component - Compressor - EM30HHR	1
12	3.2.03.01.001	Fan Motor - BT220-15050S2HL	1
	3.2.03.01.005	Fan Motor - UF-1751B22H (Alternative)	1
13	3.2.02.01.001	Auxiliary Condenser - Single - 0.7m <sup>2</sup>	1
14	3.2.04.05.002	Filter Drier - Cylinder - DML083S	1
15	3.2.04.08.001	liquid Receiver - 76x280	1
16	3.2.04.01.012	Thermal Expansion Valve - TUB2132	1
17	3.2.01.04.004	Start Component - Compressor - CAJ2464Z	1
18	3.2.01.02.005.A	Primary Compressor - CAJ2464Z	1
19	3.2.04.06.004	High Pressure Switch - 350~500psi	1
20	Page 11	Electrical Box - Right	1
21	3.2.02.01.007	Main Condenser - Single - 10m <sup>2</sup>	1
22	3.2.03.04.001	Fan Motor - 220/60/1 - YWF4E-350S	1
23	2.1.3.50.0002	Fan Shroud - 120mm	1
24	3.2.03.04.001-2	Capacitor - Fan Motor - 450V - 5μF - CBB60	1
25	3.3.03.01.013	Belt - Motor to Beater - XPA1060	4
26	Page 9	Power Box	2
27	3.3.02.01.018	Gear Box - FCNDK25-7.5	2
28	3.3.01.01.034	Motor - Air Pump - DC24V/2700RPM - JK80ZYT01A	2
29	2.1.4.01.060	Bracket - Motor - Air Pump - 40mm	2
30	920.1.04.0003	Air Pump Seat Assembly - 144mm Shaft	2
31	3.3.04.01.005	Bushing - 1008-16	4
32	3.3.04.02.007	Pulley - Gear Box - SPA182-2-1008	2
33	3.3.02.01.023	Gear Box - SS - 45*20 Shaft - 89mm	2
34	2.1.3.15.0009	Bracket - Gear Box - 1.3-1.8qt - 89mm	2
35	3.3.02.04.005	Coupling Drive - 1.3-1.8qt - 20mm	2
36	3.3.02.02.010	Nut - Rear Shell Bearing	2
37	2.3.6.04.029	Lock Plate - Rear Shell Bearing - 39mm	2
38	3.3.02.02.001	Rear Shell Bearing - SS - 1.3/1.8qt	2
39	2.1.1.06.0104	Cylinder Assembly - 2F - 1.8qt	1
40	3.3.04.02.001	Pulley - Beater Motor - SPA63-2-1008	2
41	3.3.01.04.005	Motor - 750W/3Ph - P56AH60F41	2
42	3.2.04.04.020	Solenoid Coil - 220V/6W	2
43	3.2.04.04.004	Solenoid Valve Body - EVU6 - 6W	2
44	3.2.04.04.015	Solenoid Coil - 1068	2
45	3.2.04.04.002	Solenoid Valve Body - 1068	2
46	3.1.01.08.006	Inverter - 0.75kW - EFC3610-0K75-1P2-MDA	2

### 3. Dispensing Door and Beater



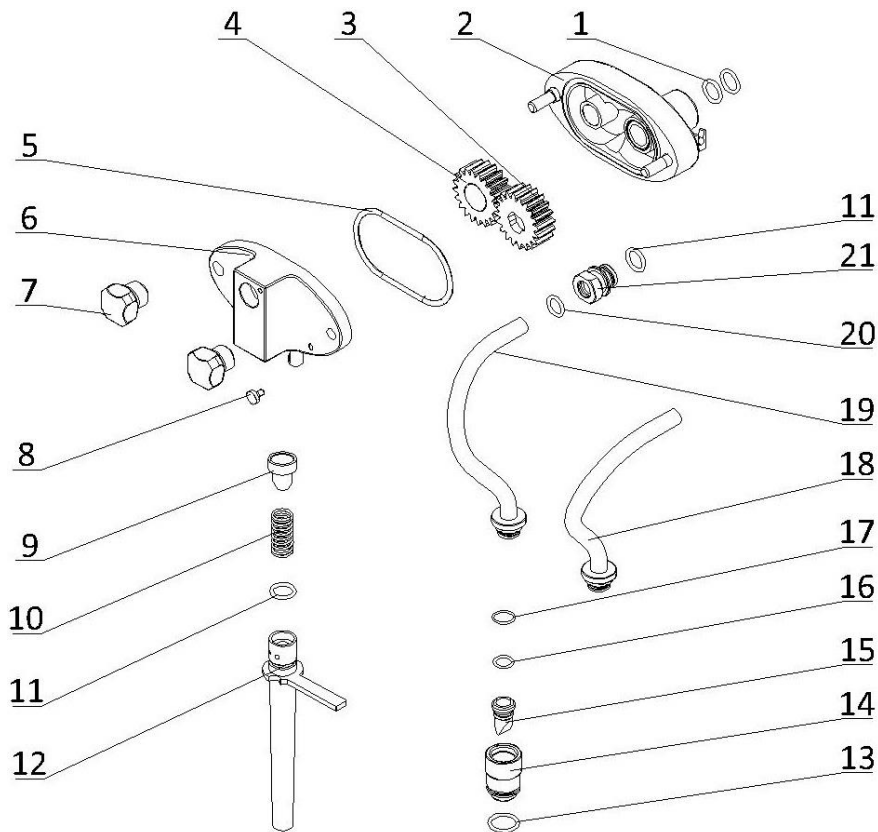
Item	Part Number	Description	Qty.
1	<a href="#">3.4.07.05.002</a>	Gasket - Drive Shaft	2
2	<a href="#">2.1.3.25.0001</a>	Drive Shaft - SS - 1.3-1.8qt	2
3	<a href="#">2.1.1.10.0017</a>	Beater - SS - Medium - 1.8qt - V2	2
4	3.4.02.01.005	Scraper Blade - Small - V2	4
5	3.4.08.02.007	Door Gasket - SS - 1.3-1.8qt	2
6	<a href="#">2.1.1.11.0001</a>	Beater Rod - SS - 1.8qt (With O-ring)	2
7	3.4.01.03.007	Beater Guide - SS - 1.3-1.8qt - V2	2
8	<a href="#">2.1.3.14.0003</a>	Dispensing Door - SS - 2F - 1.8qt	1
9	3.4.05.02.010	Hand Screw - Long - Dispensing - 1.8qt	2
10	3.4.05.02.008	Hand Screw - Short - Dispensing - 1.8qt	2
11	3.4.05.03.005	Design Cap - Double Triangle - 37mm	3
12	<a href="#">2.1.3.26.0001</a>	Seat - Handle - 2F - 1.3-1.8qt	3
13	<a href="#">3.4.05.01.001</a>	Handle - Dispensing - SS	3
14	3.6.39.009	Adjustment Screw - Handle - 22mm	3
15	3.4.08.01.012	O-Ring - 3x1.5	3
16	<a href="#">2.1.3.27.0002</a>	Retention Pin - Handle - 2F - 1.8qt	1
17	2.1.3.27.0025	Nut - Retention Pin - Handle	2
18	3.4.08.01.011	O-Ring - 19x3	4
19	3.4.08.01.019	H-Ring - 19x3x2	1
20	3.4.08.01.013	O-Ring - 5.2x1.9	4
21	2.1.3.02.0015	Prime Plug - SS - Standard	2
22	<a href="#">2.1.3.01.0009</a>	Draw Valve - SS - 2F - 1.8qt - Side	2
23	<a href="#">2.1.3.02.0003</a>	Draw Valve - SS - 2F - 1.8qt - Middle	1

## 4. Draw Switch and Front Control Panel



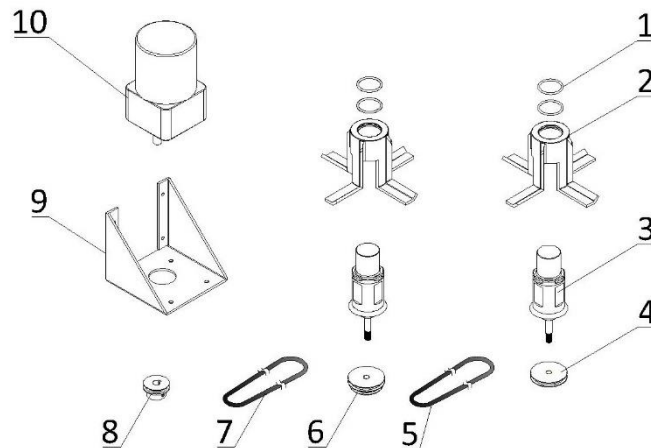
Item	Part Number	Description	Qty.
1	2.3.4.33.029	Panel - Overhead Front - 2F - 1.8qt	1
2	920.1.01.0006	Control Board - SS - V2.152 - Horizontal - V2	2
3	2.3.4.37.025	Panel - Overhead Left - 2F -1.8qt	1
4	3.6.22.028	Screw - M4×12	9
5	3.1.03.03.003	Power Switch - KCD2-2	2
6	2.3.4.39.044	Panel - Overhead Bottom - 2F - 1.8qt	1
7	3.6.22.010	Screw_ M5×10	7
8	2.3.4.38.025	Panel - Overhead Right - 2F - 1.8qt	1
9	2.1.3.50.0066	Shaft - Draw Switch - 2F - 1.8qt	3
10	3.6.03.012	Spring - Shaft - Draw Switch	3
11	3.4.07.06.008	Bracket - Micro Switch & Shaft & Spring	3
12	3.1.03.01.002	Micro Switch - KW-7-2	2
13	3.1.03.01.005	Micro Switch - KW-7-2X2	1

## 5. Air Pump



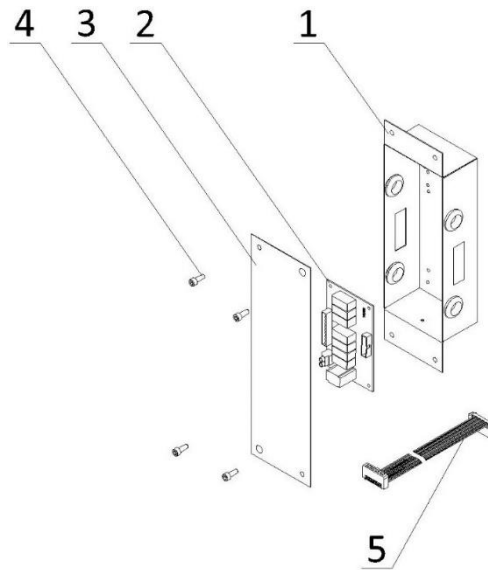
Item	Part Number	Description	Qty.
1	3.4.08.01.025	O-Ring - 15.8x2.4	4
2	2.1.4.01.004	Shell Rear - Air Pump	2
3	2.1.4.01.013	Driving Gear - Air Pump	2
4	2.1.4.01.012	Driven Gear - Air Pump	2
5	3.4.08.01.044	Seal - 71.8x3	2
6	2.1.4.01.003	Shell Front - Air Pump	2
7	2.1.4.01.077	Hand Screw - Air Pump	4
8	2.1.4.01.029	Locking Pin - Air Pump	2
9	3.4.07.06.003	Plug - Suction Tube	2
10	3.6.03.018	Spring - Suction Tube	2
11	3.4.08.01.003	O-Ring - 13.5x2.5	4
12	2.1.4.01.048	Suction Tube - Air Pump - 110mm	2
13	3.4.08.01.006	O-Ring - 16.8x2.4	2
14	2.1.4.01.039	Connector - Lower/ Hopper	2
15	2.1.4.01.035	Check Valve	2
16	3.4.08.01.040	O-Ring - 11.2x1.4	2
17	3.4.08.01.024	O-Ring - 13x1.5	2
18	2.1.4.01.041	Injection Tube - Air Pump - Left - 180mm	1
19	2.1.4.01.042	Injection Tube - Air Pump - Right - 180mm	1
20	3.4.08.01.008	O-Ring - 11.5x2.5	2
21	2.1.4.01.023	Connector - Upper/ Pump	2

## 6. Hopper Agitator



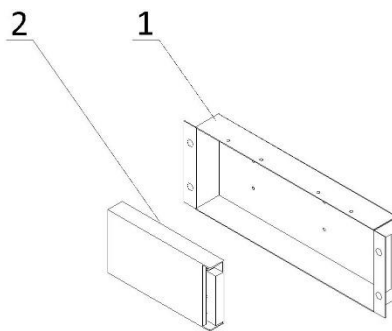
Item	Part Number	Description	Qty.
1	<a href="#">3.4.08.01.034</a>	O-Ring - 31x2	4
2	<a href="#">2.1.1.23.0002</a>	Blade - Hopper Agitator - Standard - V2	2
3	<a href="#">2.1.1.12.0003</a>	Agitator Assembly - 124mm	2
4	<a href="#">2.1.4.02.015</a>	Pulley - Hopper Agitator - Single - 53mm	1
5	<a href="#">2.1.4.08.003</a>	Belt - Hopper Agitator - 600mm	1
6	<a href="#">2.1.4.02.016</a>	Pulley - Hopper Agitator - Double - 53mm	1
7	<a href="#">2.1.4.08.023</a>	Belt - Hopper Agitator - 265mm	1
8	<a href="#">3.3.04.04.006</a>	Pulley - Hopper Agitator - Drive - 30mm	1
9	<a href="#">2.3.4.45.007</a>	Bracket - Agitator Motor - 110mm	1
10	<a href="#">3.3.01.01.006</a>	Motor - Agitator - 220V - YN80-25-6G	1

## 7. Control Box



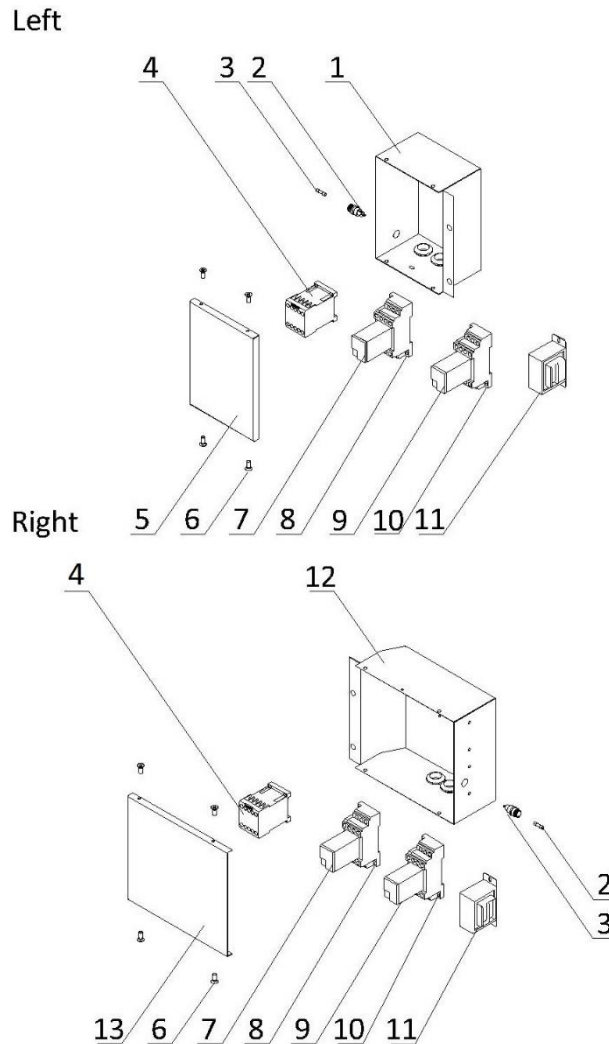
Item	Part Number	Description	Qty.
1	2.2.4.23.0001	Control Box - 6250-C/6250-AC	2
2	<a href="#">2.2.1.01.0007</a>	Power Board - SS - V2.152	2
3	2.2.4.23.0002	Cover - Control Box - 6250-C/6250-AC	2
4	3.6.11.021	Screw - M6×16	8
5	<a href="#">3.1.04.01.003</a>	Ribbon Cable - 20 Pin	2

## 8. Power Box



Item	Part Number	Description	Qty.
1	2.2.4.17.0093	Power Box - 6250-AC	2
2	<a href="#">3.1.01.05.019</a>	Power Supply - LRS-200-24	2

## 9. Electrical Box



Item	Part Number	Description	Qty.
1	<a href="#">2.2.4.18.0001</a>	Electrical Box Left - 6250-C/6250-AC	1
2	<a href="#">3.1.02.08.012</a>	Seat - Fuse - 250V	2
3	<a href="#">3.1.02.08.002</a>	Fuse - 0.5A	2
4	<a href="#">3.1.01.01.010</a>	Contactor - 220V - 3RT6017-1AN21	2
5	<a href="#">2.2.4.21.0001</a>	Cover - Electrical Box Left - 6250-C/6250-AC	1
6	<a href="#">3.6.19.001</a>	Screw - M4x8	8
7	<a href="#">3.1.01.03.029</a>	Intermediate Relay - AC220V - HH54P-L	2
8	<a href="#">3.1.01.03.031</a>	Base - Relay - TP514X1-E	2
9	<a href="#">3.1.01.03.033</a>	Intermediate Relay - AC220V - HH62P-L	2
10	<a href="#">3.1.01.03.021</a>	Base - Relay - TP68X1-E	2
11	<a href="#">3.1.01.04.007</a>	Transformer - 50W - 50313MW-32	2
12	<a href="#">2.2.4.19.0001</a>	Electrical Box Right - 6250-C/6250-AC	1
13	<a href="#">2.2.4.22.0001</a>	Cover - Electrical Box Right - 6250-C/6250-AC	1