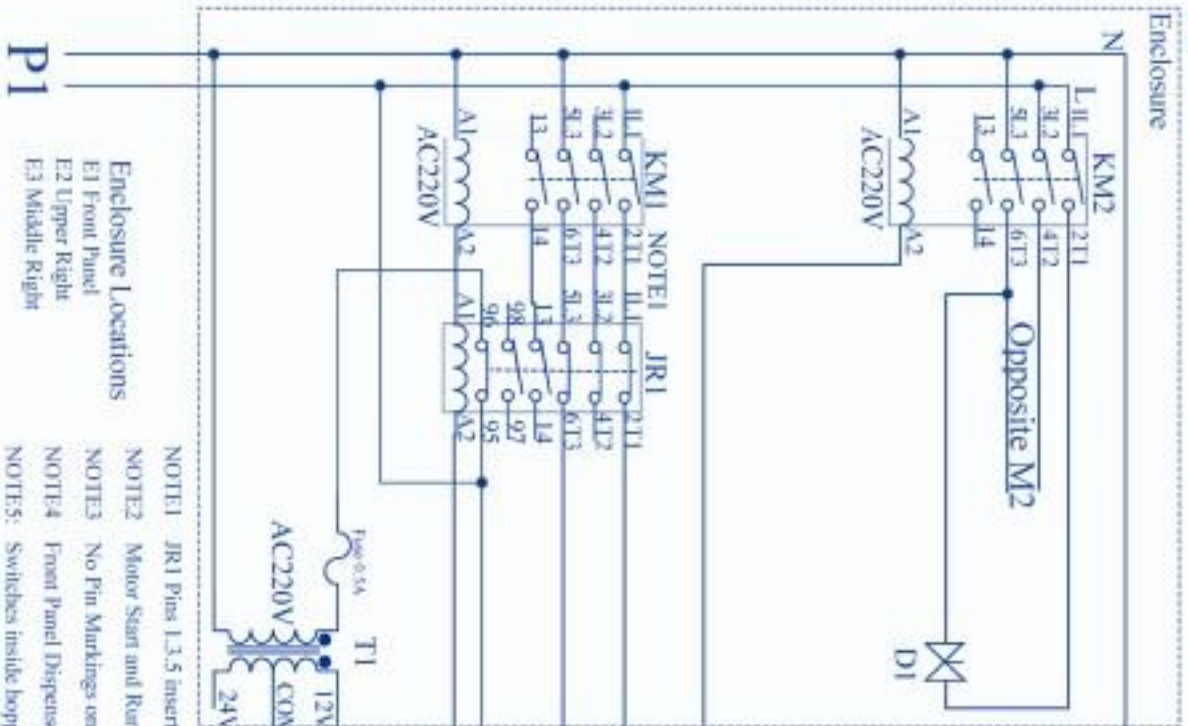


- NOTE1:** JRI Pins 1,3,5 insert into KM1. The two relays are flush together.
- NOTE2:** Motor Start and Run capacitors included in Motor Assembly C1 and C2. Values are on the faceplate of the Motor.
- NOTE3:** No Pin Markings on the Connector Pins 1 is left when facing edge of PC component side up.
- NOTE4:** Front Panel Dispenser Levers which mechanically actuates S4
- NOTES:** Switches inside hoppers which activate "Mix Low" indicator
- NOTE6:** Compressor In-line Over Pressure Switch

Item	Part #	Description	Item	Part #	Description	Item	Part #	Description	Item	Part #	Description
M1	3.3.01.05.003	Motor - 900W	M6	3.3.01.01.001	Agitator Motor	PC1	2.2.1.01.0007	Power Board	S4	3.1.03.01.004	Draw Switch
M2	3.2.01.02.005	Compressor - Main	JR	3.1.01.02.011	Thermal Relay	PC2	2.2.1.01.0004	Control Board	S5	3.1.03.04.009	Low Mix Sensor
M3	3.2.03.04.001	Fan Motor - Main	KM	3.1.01.01.010	Contactor	D	3.2.04.04.015	Solenoid Coil	F	3.1.02.08.002	Fuse - 0.5A
M4	3.2.01.01.002	Compressor - Aux	T	3.1.01.04.007	Transformer	S1/2	3.2.04.06.004	Pressure Switch			
M5	3.2.03.01.001	Fan Motor - Aux	TH	3.1.02.13.020	Thermostat	S3	3.1.03.03.003	Power Switch			

E2

Enclosure

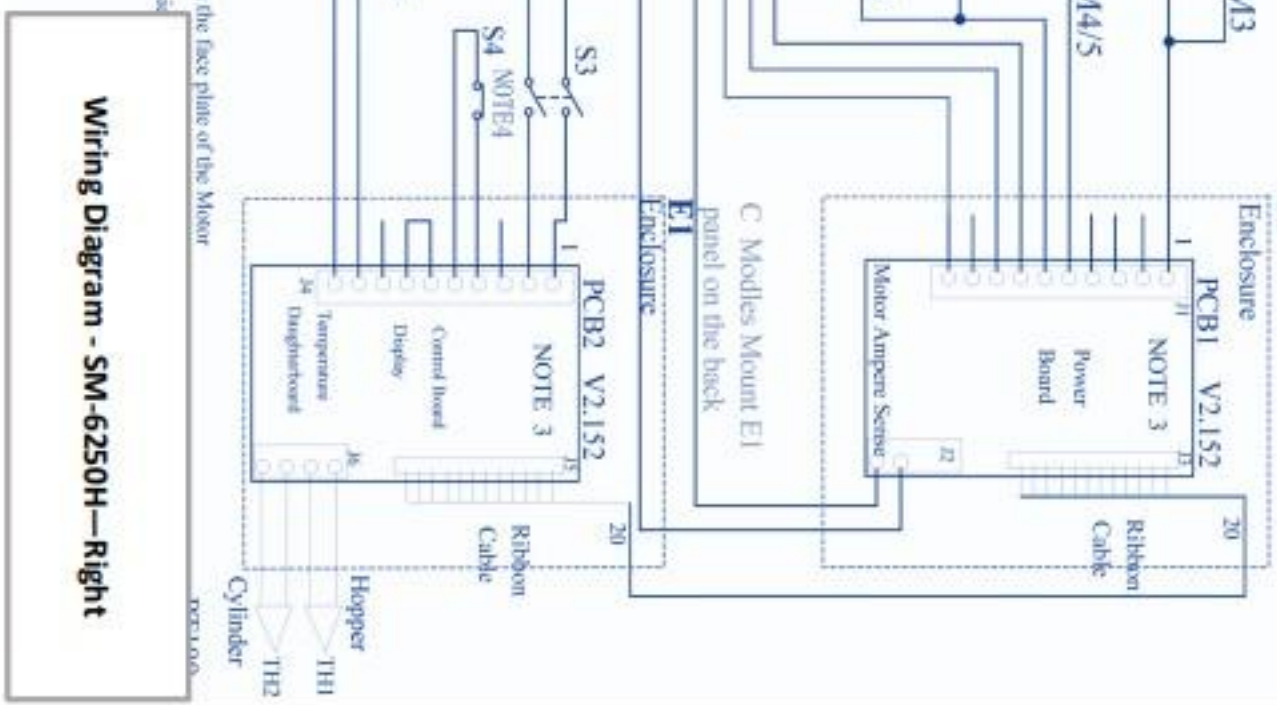
**P1**

Enclosure Locations
 E1 Front Panel
 E2 Upper Right
 E3 Middle Right

NOTE1: JRI Pins L3,5 insert into KMI. The two relays are flush together.
 NOTE2: Motor Start and Run capacitors included in Motor Assembly. C1 and C2 Values are on the face plate of the Motor.
 NOTE3: No Pin Markings on the Connector. Pins 1 is left when facing edge of PC component side.
 NOTE4: Front Panel Dispenser Levers which mechanically actuates S4.
 NOTE5: Switches inside hoppers which activate "Mix Low" indicator.
 NOTE6: Compressor Inline Over Pressure Switch.

E3

Enclosure

**Wiring Diagram - SM-6250H—Right**

Item	Part #	Description	Item	Part #	Description	Item	Part #	Description
M1	3.3.01.05.003	Motor - 900W	M6	3.3.01.01.001	Agitator Motor	PC1	2.2.1.01.0007	Power Board
M2	3.2.01.02.005	Compressor - Main	JR	3.1.01.02.011	Thermal Relay	PC2	2.2.1.01.0004	Control Board
M3	3.2.03.04.001	Fan Motor - Main	KM	3.1.01.01.010	Contactors	D	3.2.04.04.015	Solenoid Coil
M4	3.2.01.01.002	Compressor - Aux	T	3.1.01.04.007	Transformer	S1/2	3.2.04.06.004	Pressure Switch
M5	3.2.03.01.001	Fan Motor - Aux	TH	3.1.02.13.020	Thermostat	S3	3.1.03.03.003	Power Switch