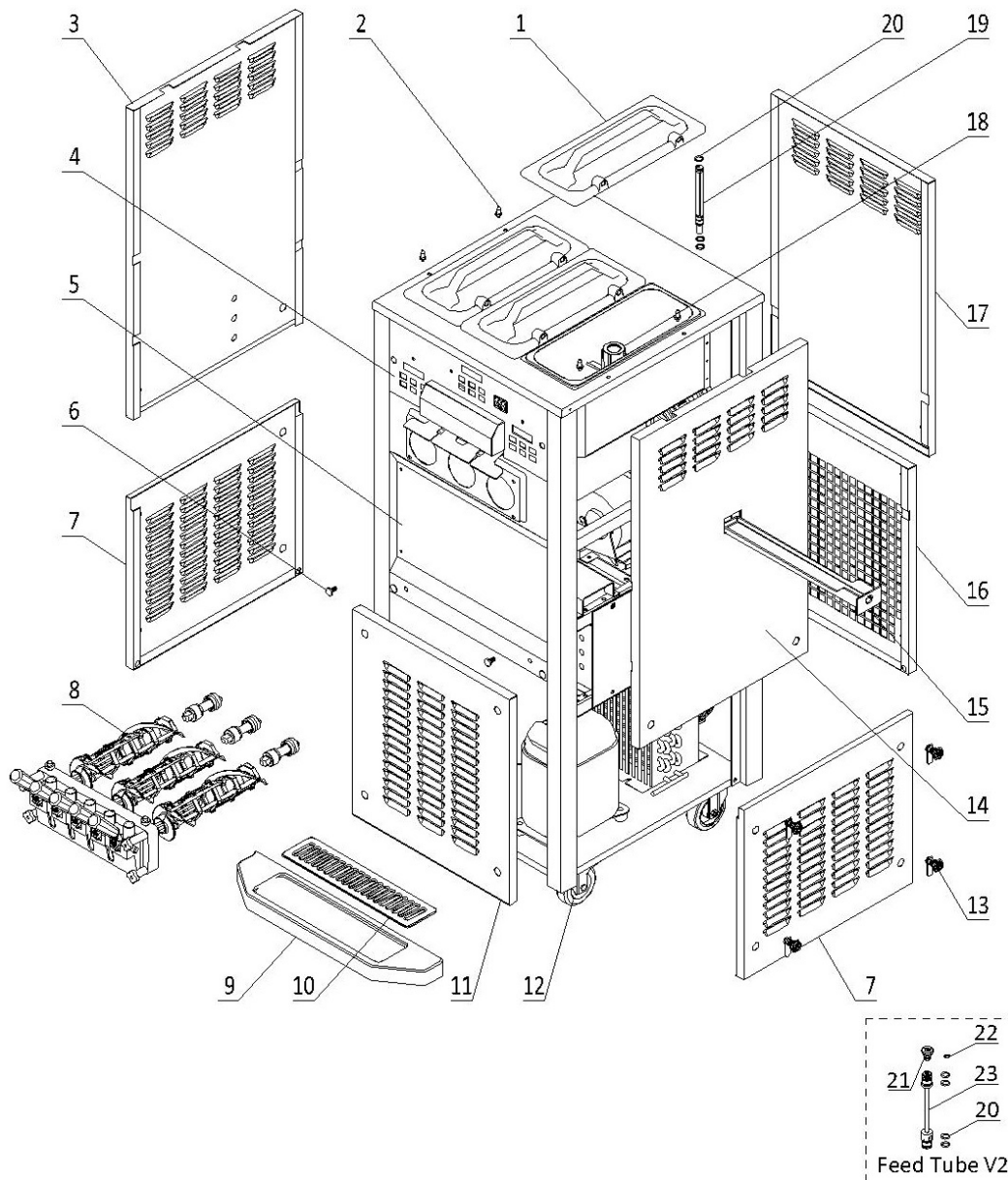


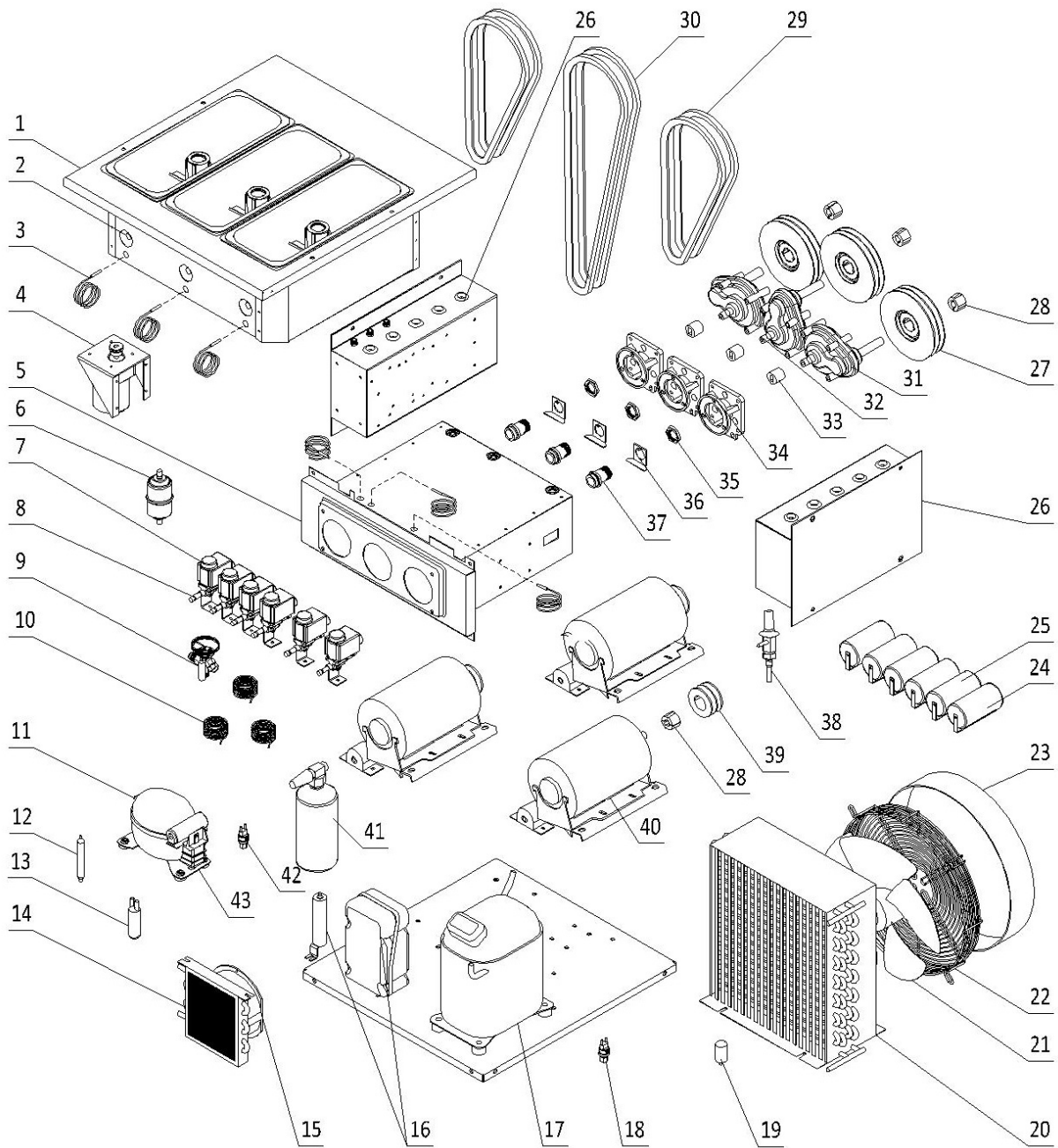
1. External Parts



1. External Parts

| Item | Part Number | Description | Qty. |
|------|-----------------|---|------|
| 1 | 3.4.03.01.002 | Hopper Lid - 8L Narrow | 3 |
| 2 | 3.6.39.011 | Hopper Lid Holder | 4 |
| 3 | 2.3.4.19.008 | Panel - Upper Left - 6268 | 1 |
| 4 | Page 7 | Draw Switch and Front Control Panel | 1 |
| 5 | 2.3.4.16.011 | Panel - Middle Front - 6268 | 1 |
| 6 | Page 5 | Dispensing Door and Beater | 1 |
| 7 | 2.3.4.22.005 | Panel - Lower Left & Right - 6268 | 1 |
| 8 | 3.4.04.01.008-1 | Splash Shield - Front Drip Tray - 55mm | 1 |
| 9 | 3.4.04.01.008 | Front Drip Tray - 55mm | 1 |
| 10 | 3.6.39.004 | Drip Tray Mounting Bolt | 2 |
| 11 | 2.3.4.17.016 | Panel - Lower Front - 6268 | 1 |
| 12 | 3.3.05.02.001 | Caster Swivel - 100X34 | 4 |
| 13 | 8.1.07.001 | Panel Lock Assembly | 22 |
| 14 | 2.3.4.21.009 | Panel - Upper Right - 6268 | 1 |
| 15 | 3.4.04.02.001 | Internal Drip Tray - 45mm | 1 |
| 16 | 2.3.4.15.005 | Panel - Lower Rear - 6268 | 1 |
| 17 | 2.3.4.14.005 | Panel - Upper Rear - 6268 | 1 |
| 18 | Page 8 | Hopper Agitator | 1 |
| 19 | 2.1.3.39.0011 | Air Tube - SS - Long - V3 | 3 |
| 20 | 3.4.08.01.002 | O-Ring - 18x2.2 | 9 |
| 21 | 2.1.3.23.0001 | Air Tube Cap - SS - Small (Old Version) | 3 |
| 22 | 3.4.08.01.028 | O-Ring - 6.2x1.9 (Old Version) | 3 |
| 23 | 3.4.07.04.020 | Air Tube - SS - Long - V2 (Old Version) | 3 |

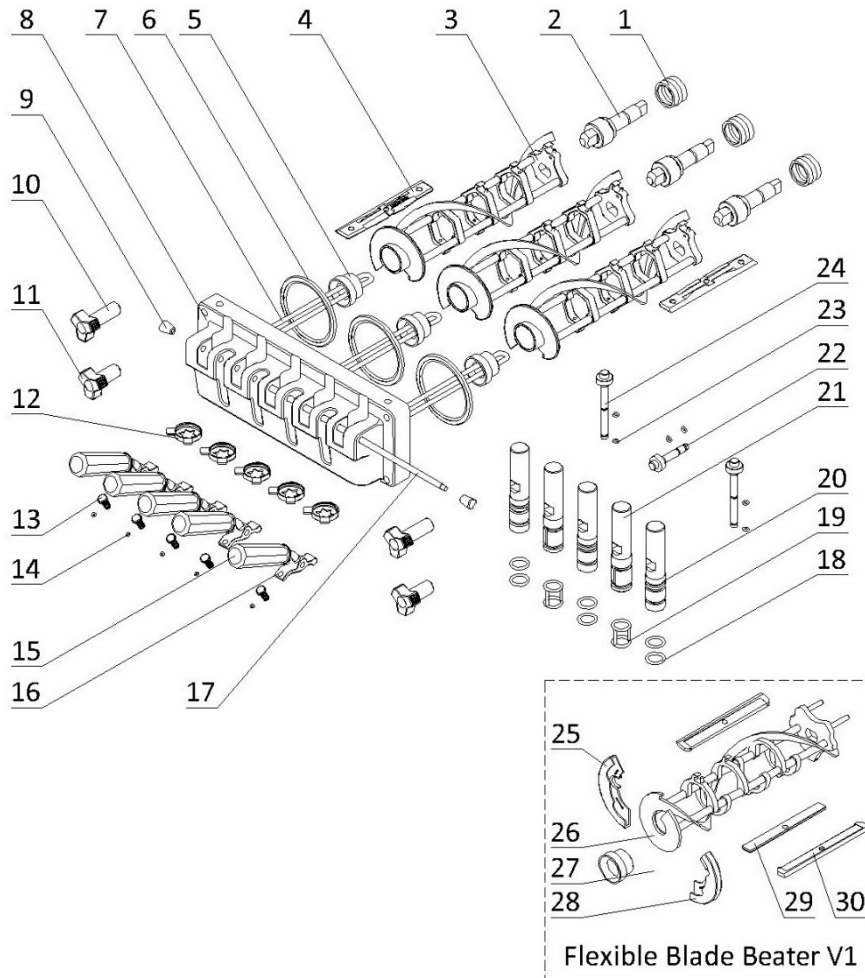
2. Internal Parts



2. Internal Parts

| Item | Part Number | Description | Qty. |
|-------|-----------------|--|------|
| 1 | 2.1.1.03.0048 | Hopper Assembly - 6268 | 1 |
| 2 | 920.1.04.0002 | Mix Low Sensor Assembly | 3 |
| 3 | 3.1.02.13.020 | Temperature Probe - PT100 | 6 |
| 4 | Page 8 | Agitator Motor Assembly | 1 |
| 5 | 2.1.1.06.0052 | Cylinder Assembly - 6265/6268 | 1 |
| 6 | 3.2.04.05.002 | Filter Drier - Cylinder - DML083S | 1 |
| 7 | 3.2.04.04.015 | Solenoid Coil - 1068 | 6 |
| 8 | 3.2.04.04.002 | Solenoid Valve Body - 1068 | 6 |
| 9 | 3.2.04.01.001 | Thermal Expansion Valve - T2 | 1 |
| 10 | 3.2.05.01.002 | Capillary Tube - 2x0.7 | 3 |
| 11 | 3.2.01.01.003.A | Auxiliary Compressor - TL4G | 1 |
| 12 | 3.2.04.05.001 | Filter Drier - Hopper - 16x2.2x120 | 1 |
| 13 | 3.2.04.07.001 | Suction Accumulator - 25x100x0.6 | 1 |
| 14 | 3.2.02.01.001 | Auxiliary Condenser - Single - 0.7m ² | 1 |
| 15 | 3.2.03.01.001 | Fan Motor - BT220-15050S2HL | 1 |
| 16 | 3.2.01.04.004 | Start Component - Compressor - CAJ2464Z | 1 |
| 17 | 3.2.01.02.005.A | Primary Compressor - CAJ2464Z | 1 |
| 18 | 3.2.04.06.004 | High Pressure Switch - 350~500psi | 1 |
| 19 | 3.2.03.04.001-2 | Capacitor - Fan Motor - 450V - 5μF - CBB60 | 1 |
| 20 | 3.2.02.01.007 | Main Condenser - Single - 10m ² | 1 |
| 21/22 | 3.2.03.04.001 | Fan Motor - 220/60/1 - YWF4E-350S | 1 |
| 23 | 2.1.3.50.0002 | Fan Shroud - 120mm | 1 |
| 24 | 3.1.02.22.061 | Capacitor - Start - 330V - 267.5μF | 3 |
| 25 | 3.1.02.22.009 | Capacitor - Running - 370V - 25μF | 3 |
| 26 | Page 9 | Electrical Box | 2 |
| 27 | 3.3.04.01.005 | Bushing - 1008-16 | 6 |
| 28 | 3.3.04.02.013 | Pulley - Gear Box - SPA160-2-1008 | 3 |
| 29 | 3.3.03.03.004 | Belt - Motor - Beater - V-A710 | 4 |
| 30 | 3.3.03.03.016 | Belt - Motor - Beater - V-A1321 | 2 |
| 31 | 3.3.02.01.025 | Gear Box - SS - 75*20 Shaft - 89mm | 1 |
| 32 | 3.3.02.01.023 | Gear Box - SS - 45*20 Shaft - 89mm | 2 |
| 33 | 3.3.02.04.005 | Coupling Drive - 1.3-1.8qt - 20mm | 3 |
| 34 | 2.1.3.15.0009 | Bracket - Gear Box - 1.3-1.8qt - 89mm | 3 |
| 35 | 3.3.02.02.010 | Nut - Rear Shell Bearing | 3 |
| 36 | 2.3.6.04.029 | Lock Plate - Rear Shell Bearing - 39mm | 3 |
| 37 | 3.3.02.02.001 | Rear Shell Bearing - SS - 1.3/1.8qt | 3 |
| 38 | 3.2.04.01.003 | Hot Gas Bypass - ACP-4 | 1 |
| 39 | 3.3.04.02.001 | Pulley - Beater Motor - SPA63-2-1008 | 3 |
| 40 | 3.3.01.05.003 | Motor - 220/60/1 - 900W - K56AC63F41 | 1 |
| 41 | 3.2.04.08.001 | liquid Receiver - 76x280 | 1 |
| 42 | 3.2.04.06.003 | High Pressure Switch - 250~350psi | 1 |
| 43 | 3.2.01.01.003-1 | Start Component - Compressor - TL4G | 1 |

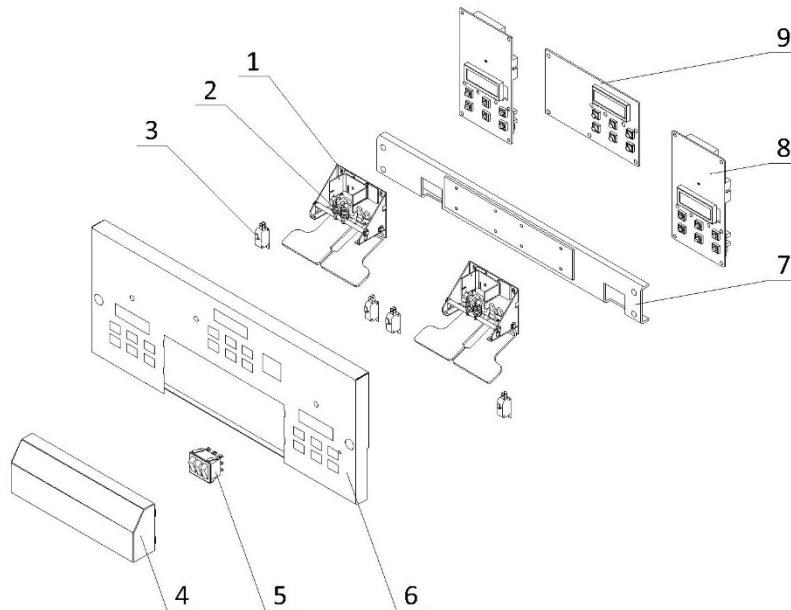
3. Dispensing Door and Beater



3. Dispensing Door and Beater

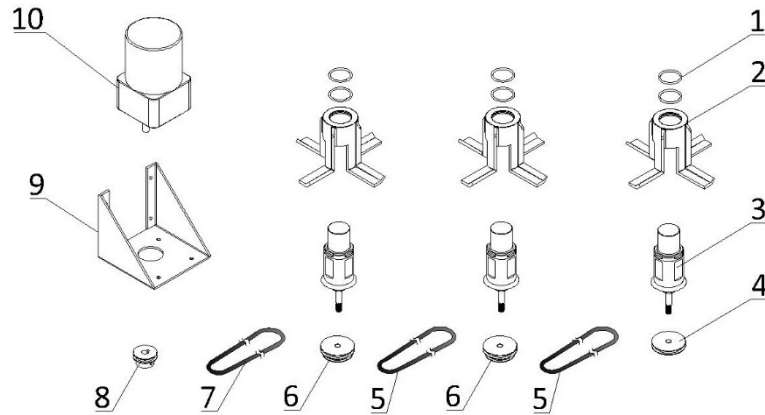
| Item | Part Number | Description | Qty. |
|------|---------------|---|------|
| 1 | 3.4.07.05.002 | Gasket - Drive Shaft | 3 |
| 2 | 2.1.3.25.0001 | Drive Shaft - SS - 1.3-1.8qt | 3 |
| 3 | 2.1.1.10.0017 | Beater - SS - Medium - 1.8qt - V2 | 3 |
| 4 | 3.4.02.01.005 | Scraper Blade - Small - V2 | 6 |
| 5 | 3.4.01.03.009 | Beater Guide - SS - 6265/6268 - V2 | 3 |
| 6 | 3.4.08.02.007 | Door Gasket - SS - 1.3-1.8qt | 3 |
| 7 | 2.1.1.11.0001 | Beater Rod - SS - 1.8qt | 3 |
| 8 | 2.1.3.14.0007 | Dispensing Door - SS - 3F - 1.8qt | 1 |
| 9 | 2.1.3.27.0025 | Nut - Retention Pin - Handle | 2 |
| 10 | 3.4.05.02.010 | Hand Screw - Long - Dispensing - 1.8qt | 2 |
| 11 | 3.4.05.02.008 | Hand Screw - Short - Dispensing - 1.8qt | 2 |
| 12 | 3.4.05.03.005 | Design Cap - Double Triangle - 37mm | 5 |
| 13 | 3.6.39.009 | Adjustment Screw - Handle - 22mm | 5 |
| 14 | 3.4.08.01.012 | O-Ring - 3x1.5 | 5 |
| 15 | 3.4.05.01.001 | Handle - Dispensing - SS | 5 |
| 16 | 2.1.3.26.0001 | Seat - Handle - 2F - 1.3-1.8qt | 5 |
| 17 | 2.1.3.27.0005 | Retention Pin - Handle - 3F - 1.8qt | 1 |
| 18 | 3.4.08.01.011 | O-Ring - 19x3 | 6 |
| 19 | 3.4.08.01.019 | H-Ring - 19x3x2 | 2 |
| 20 | 2.1.3.01.0008 | Draw Valve - SS - 3F - 1.8qt - Side | 3 |
| 21 | 2.1.3.02.0004 | Draw Valve - SS - 3F - 1.8qt - Middle | 2 |
| 22 | 2.1.3.02.0017 | Prime Plug - SS - Front | 1 |
| 23 | 3.4.08.01.013 | O-Ring - 5.2x1.9 | 6 |
| 24 | 2.1.3.02.0015 | Prime Plug - SS - Standard | 2 |
| 25 | 3.4.01.01.002 | Shoe - Left Small - 1.3-1.8qt (Old Version) | 3 |
| 26 | 2.1.1.10.0002 | Beater - SS - Medium - 1.8qt (Old Version) | 3 |
| 27 | 3.4.01.03.001 | Beater Guide - SS - 1.3-1.8qt (Old Version) | 3 |
| 28 | 3.4.01.02.002 | Shoe - Right Small - 1.3-1.8qt (Old Version) | 3 |
| 29 | 2.3.4.04.001 | Clip - Scraper Blade - 1.8qt (Old Version) | 6 |
| 30 | 3.4.02.01.002 | Plastic - Scraper Blade - 1.8qt (Old Version) | 6 |

4. Draw Switch and Front Control Panel



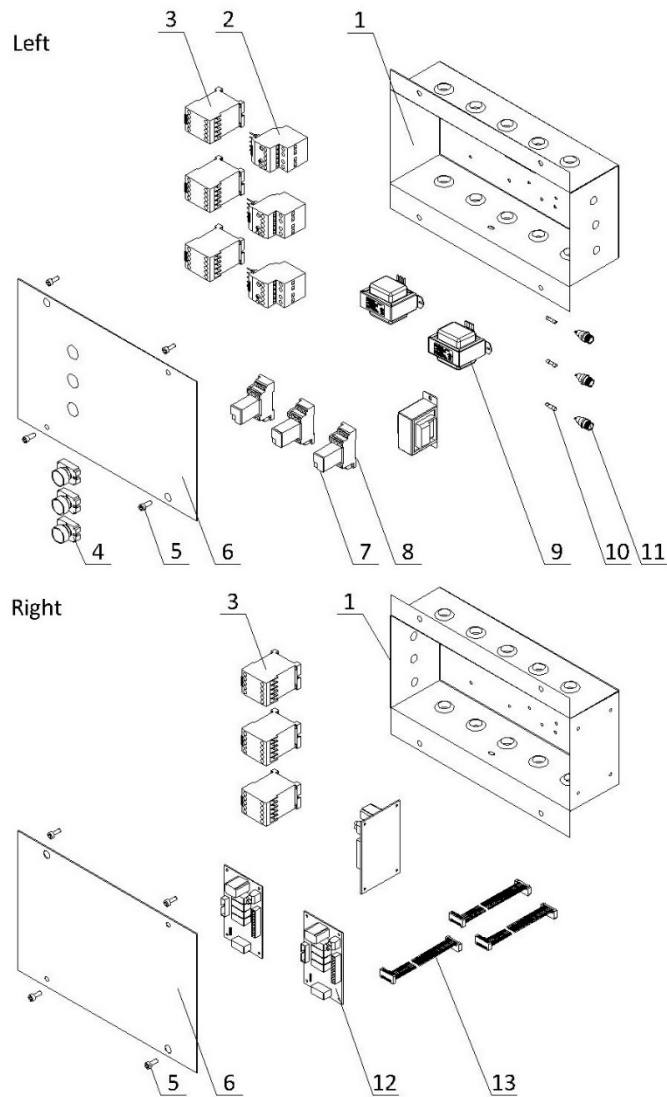
| Item | Part Number | Description | Qty. |
|------|---------------|---|------|
| 1 | 2.1.1.19.0009 | Draw Switch Assembly - 3F | 2 |
| 2 | 3.6.02.002 | Spring - Draw Switch Assembly | 4 |
| 3 | 3.1.03.01.004 | Micro Switch - KW-7-9 | 4 |
| 4 | 3.4.07.07.006 | Switch Cover - Large - 3F | 1 |
| 5 | 3.1.03.03.005 | Power Switch - Triple | 1 |
| 6 | 2.3.4.07.012 | Panel - Draw Switch - 6265/6268 | 1 |
| 7 | 2.2.4.24.0003 | Bracket - Draw Switch Assembly - 2F/3F -1.8qt | 1 |
| 8 | 2.2.1.01.0004 | Control Board - SS - V2.152 - Standard | 2 |
| 9 | 2.2.1.01.0009 | Control Board - SS - V2.152 - 6265/6268 | 1 |

5. Hopper Agitator



| Item | Part Number | Description | Qty. |
|------|---------------|---|------|
| 1 | 3.4.08.01.034 | O-Ring - 31x2 | 6 |
| 2 | 2.1.1.23.0002 | Blade - Hopper Agitator - Standard - V2 | 3 |
| 3 | 2.1.1.12.0002 | Agitator Assembly - 137mm | 3 |
| 4 | 2.1.4.02.015 | Pulley - Hopper Agitator - Single - 53mm | 1 |
| 5 | 2.1.4.08.048 | Belt - Hopper Agitator - 480mm | 2 |
| 6 | 2.1.4.02.016 | Pulley - Hopper Agitator - Double - 53mm | 2 |
| 7 | 2.1.4.08.049 | Belt - Hopper Agitator - 315mm | 1 |
| 8 | 3.3.04.04.005 | Pulley - Hopper Agitator - Drive - 38.9mm | 1 |
| 9 | 2.3.4.45.076 | Bracket - Agitator Motor - 81mm | 1 |
| 10 | 3.3.01.01.006 | Motor - Agitator - 220V - YN80-25-6G | 1 |

6. Electrical Box



| Item | Part Number | Description | Qty. |
|------|---------------|---------------------------------------|------|
| 1 | 2.2.4.17.0028 | Electrical Box - 6268 | 2 |
| 2 | 3.1.01.02.011 | Thermal Overload Relay - 3RU6116-1GB0 | 3 |
| 3 | 3.1.01.01.010 | Contactor - 220V - 3RT6017-1AN21 | 6 |
| 4 | 3.1.03.04.002 | Reset Button - Thermal Overload | 3 |
| 5 | 3.6.19.001 | Screw - M4x8 | 8 |
| 6 | 2.2.4.20.0028 | Cover - Electrical Box - 6268 | 2 |
| 7 | 3.1.01.03.029 | Intermediate Relay - AC220V - HH54P-L | 3 |
| 8 | 3.1.01.03.031 | Base - Relay - TP514X1-E | 3 |
| 9 | 3.1.01.04.007 | Transformer - 50W - 50313MW232 | 3 |
| 10 | 3.1.02.08.002 | Fuse - 0.5A | 3 |
| 11 | 3.1.02.08.012 | Seat - Fuse - 250V | 3 |
| 12 | 2.2.1.01.0007 | Power Board - SS - V2.152 | 3 |
| 13 | 3.1.04.01.003 | Ribbon Cable - 20 Pin | 3 |