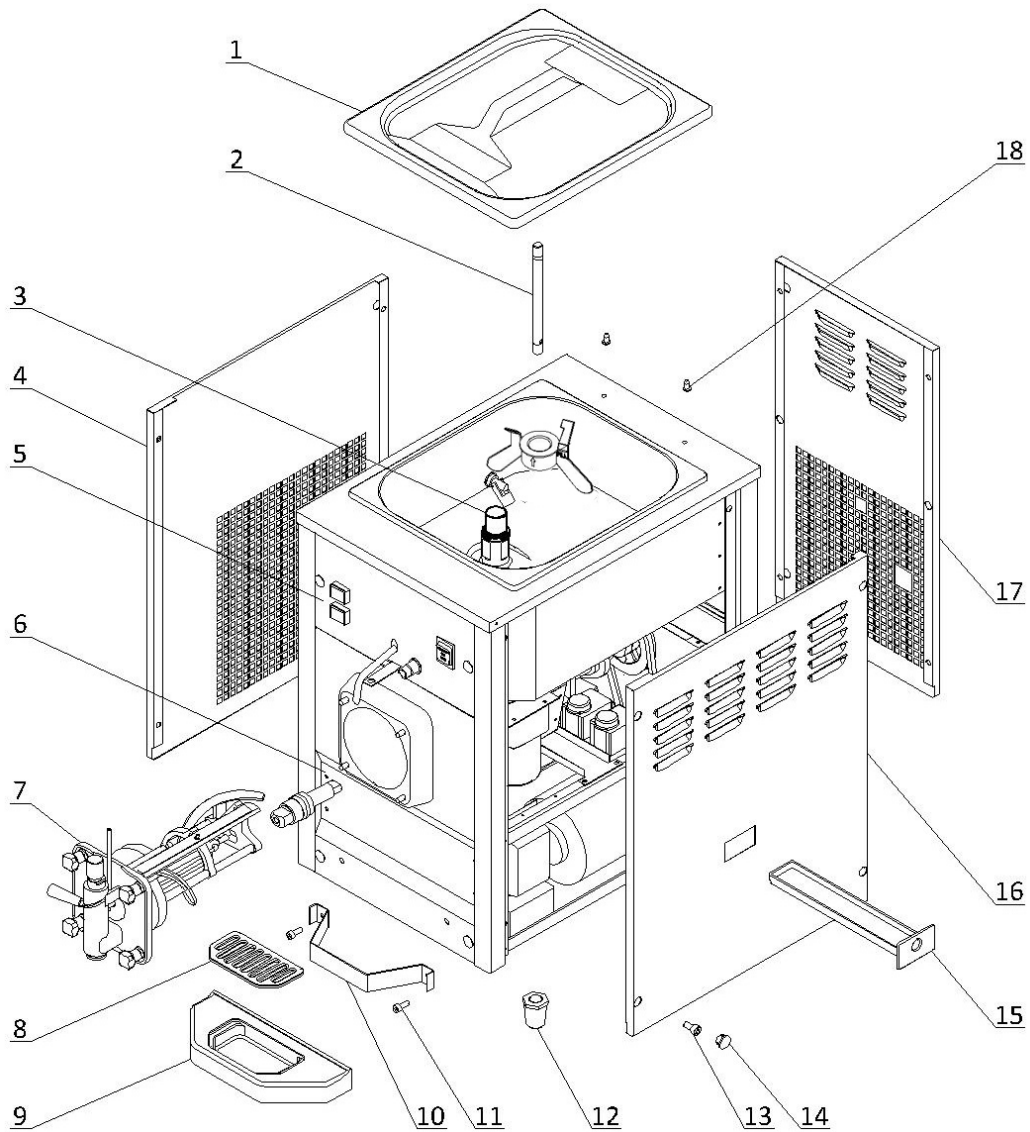


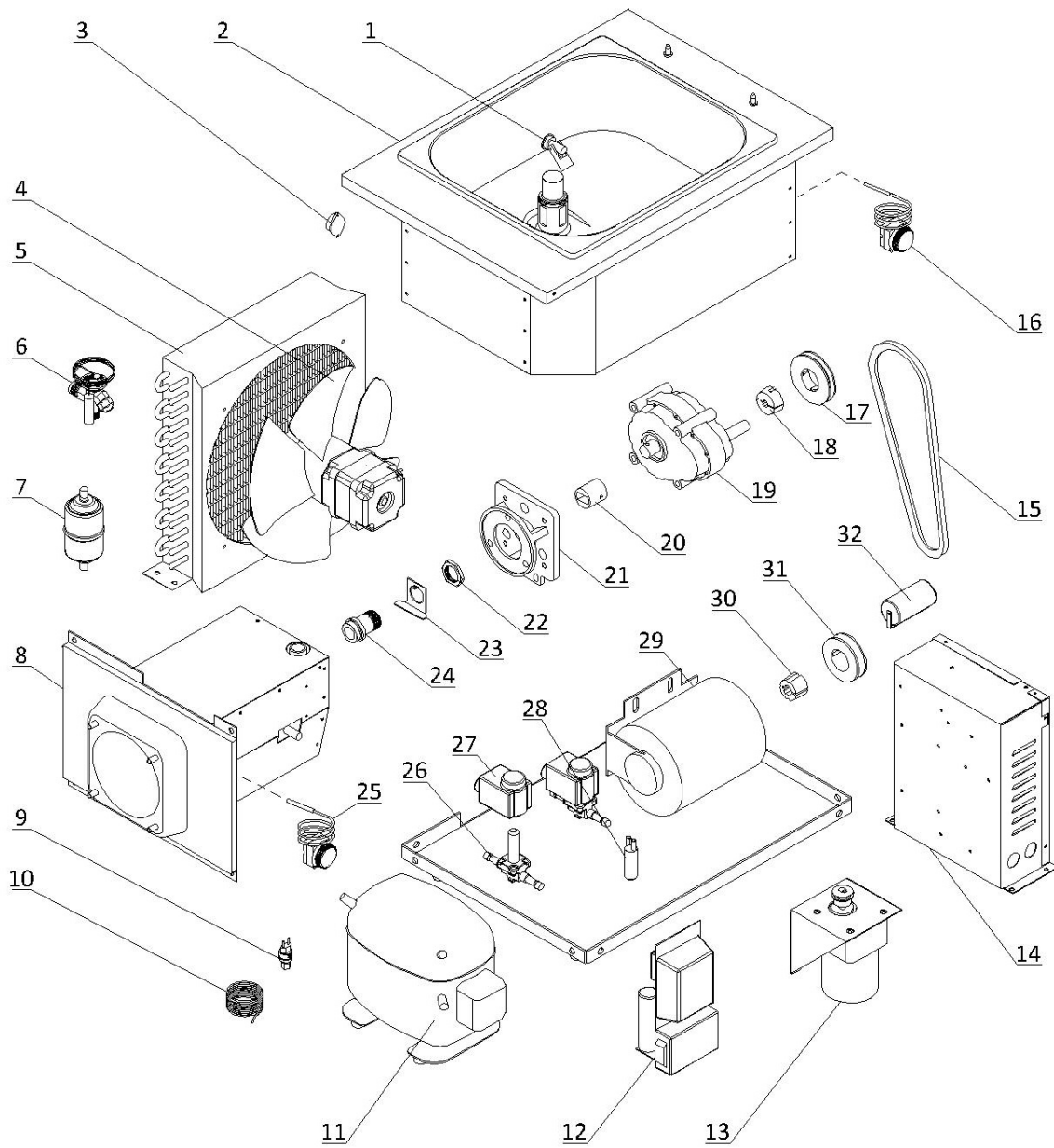
1. External Parts



1. External Parts

Item	Part Number	Description	Qty.
1	3.4.03.02.001	Hopper Lid - 25L	1
2	3.6.39.011	Hopper Lid Holder	2
3	Page 7	Hopper Agitator	1
4	2.3.4.18.003	Panel - Left - 6490	1
5	Page 6	Draw Switch and Front Control Panel	1
6	2.3.4.17.009	Panel - Lower Front - 6490	1
7	Page 5	Dispensing Door and Beater	1
8	3.4.04.01.005-1	Splash Shield - Front Drip Tray - 29mm	1
9	3.4.04.01.005	Front Drip Tray - 29mm	1
10	2.3.6.03.011	Bracket - Front Drip Tray	1
11	3.6.22.025	Screw - M6x16	1
12	3.3.05.03.001	Leg - 45mm	4
13	2.3.4.20.003	Panel - Right - 6490	1
14	3.6.11.041	Screw - Hex - Socket - M8x16	16
15	3.4.07.01.001	Bolt Hole Cover	16
16	3.4.04.02.003	Internal Drip Tray - 25mm	1
17	2.3.4.13.005	Panel - Rear - 6490	1
18	2.1.3.39.0006	Air Tube - FB	1

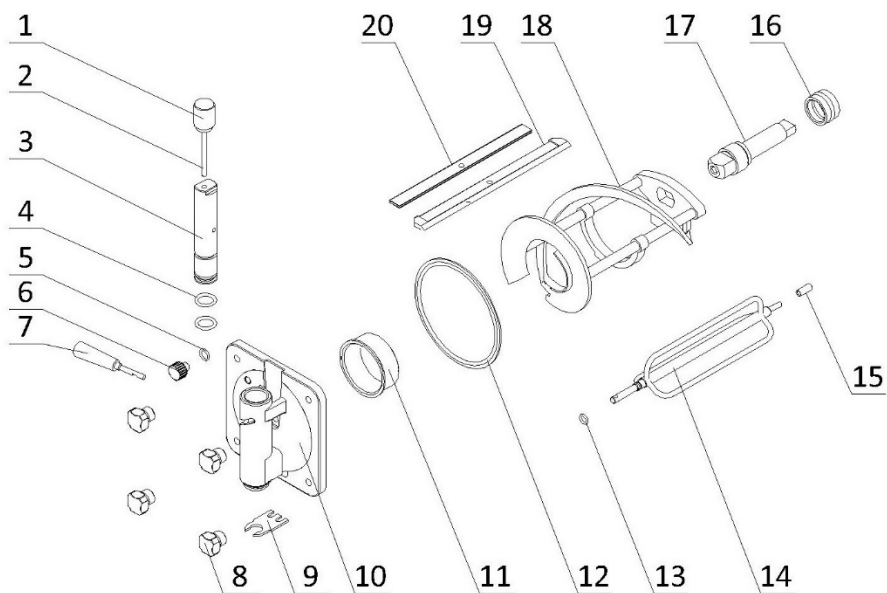
2. Internal Parts



2. Internal Parts

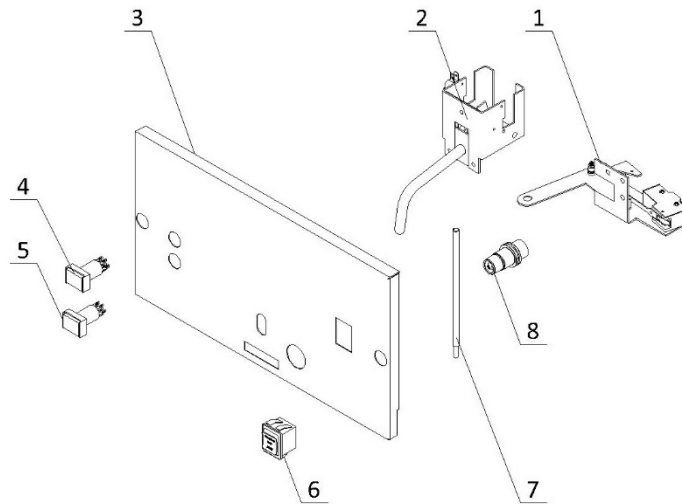
Item	Part Number	Description	Qty.
1	920.1.04.0002	Mix Low Sensor Assembly	1
2	2.1.1.03.0007	Hopper Assembly - 6490	1
3	3.1.02.15.003	Alarm - Low Mix - DC3-24V	1
4	3.2.03.02.005	Fan Motor - 115/60/1 - M4Q045-EF03-04	1
5	3.2.02.01.004	Main Condenser - Single - 5m ² - 380x410x100	1
6	3.2.04.01.001	Thermal Expansion Valve - T2	1
7	3.2.04.05.002	Filter Drier - Cylinder - DML083S	1
8	2.1.1.06.0019	Cylinder Assembly - 6490	1
9	3.2.04.06.004	High Pressure Switch - 350~500psi	1
10	3.2.05.01.002	Capillary Tube - 2x0.7	1
11	3.2.01.02.028.A	Primary Compressor - SC18CLX.2	1
12	3.2.01.04.014	Start Component - Compressor - SC18CLX.2	1
13	Page 7	Agitator Motor Assembly	1
14	Page 8	Electrical Box	1
15	3.3.03.03.008	Belt - Motor - Beater - V-A750	1
16	3.1.01.07.003	Thermostat - 0-40°C	1
17	3.3.04.02.006	Pulley - Gear Box - SPA112-1-1610	1
18	3.3.04.01.008	Bushing - 1610-16	1
19	3.3.02.01.024	Gear Box - FB - 45*20 Shaft - 79mm	1
20	3.3.02.04.006	Coupling Drive - 3.4qt-4.0qt-7.3qt - 20mm	1
21	2.1.3.15.0003	Bracket - Gear Box - 3.4-7.3qt - 79mm	1
22	3.3.02.02.010	Nut - Rear Shell Bearing	1
23	2.3.6.04.004	Lock Plate - Rear Shell Bearing - 42mm	1
24	3.3.02.02.002	Rear Shell Bearing - SS (3.4qt) + FB	1
25	3.1.01.07.002	Thermostat - ±30°C	1
26	3.2.04.04.016	Solenoid Coil - EVR6	2
27	3.2.04.04.001	Solenoid Valve Body - EVR6	2
28	3.2.04.07.002	Suction Accumulator - 30x155x10	1
29	3.3.01.07.001	Motor - 110/60/1 - 250W - CF484DO-A2X2	1
30	3.3.04.01.002	Bushing - 1008-14	1
31	3.3.04.02.012	Pulley - Beater Motor - SPA 63-1-1008	1
32	3.1.02.22.051	Capacitor - Start/Running - 300V - 200µF	1

3. Dispensing Door and Beater



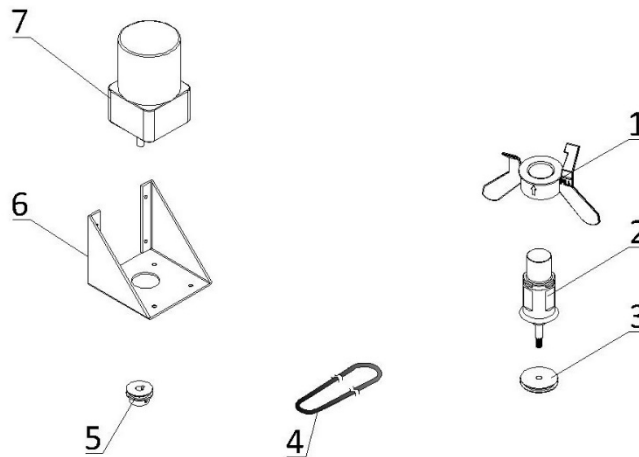
Item	Part Number	Description	Qty.
1	2.1.3.36.0004	Weight - Draw Valve - FB	1
2	2.1.3.36.0003	Pin - Draw Valve - FB	1
3	2.1.3.01.0006	Draw Valve - FB	1
4	3.4.08.01.036	O-Ring - 19x3.55	2
5	3.4.08.01.008	O-Ring - 11.5x2.5	1
6	3.4.07.08.001	Prime Plug - FB	1
7	3.4.05.01.002	Handle - Dispensing - FB	1
8	2.1.3.32.0004	Hand Screw - Dispensing - FB	4
9	2.1.4.04.014	Ice Buster - Dispensing - FB	1
10	2.1.3.14.0006	Dispensing Door - FB	1
11	3.4.01.03.003	Beater Guide - FB	1
12	3.4.08.02.005	Door Gasket - FB	1
13	3.4.08.01.017	O-Ring - 11x2.4	1
14	2.1.1.31.0002	Torque Rotor - 4.0qt	1
15	3.4.01.03.004	Torque Guide	1
16	3.4.07.05.002	Gasket - Drive Shaft	1
17	2.1.3.25.0003	Drive Shaft - FB	1
18	2.1.1.10.0003	Beater - FB - Small	1
19	3.4.02.01.003	Plastic - Scraper Blade - FB/6210	1
20	2.3.4.04.003	Clip - Scraper Blade - FB/6210	1

4. Draw Switch and Front Control Panel



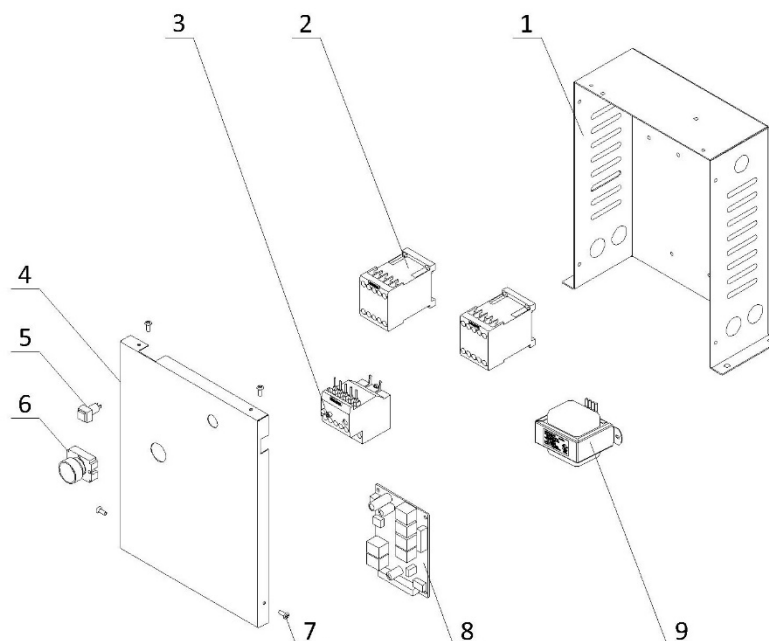
Item	Part Number	Description	Qty.
1	920.1.03.0002	Control Levers - Toque Lever	1
2	920.1.03.0003	Control Levers - Dispensing Switch	1
3	2.3.4.07.011	Panel - Draw Switch - 6490	1
4	3.1.02.14.001	Light - FB - Low Mix	1
5	3.1.03.04.015	Standby Switch - FB - Amber Light	1
6	3.1.03.03.002	Power Switch - KCD2-3	1
7	2.3.6.03.007	Torque Arm - 150mm - FB	1
8	920.1.03.0001	Control Levers - Viscosity Adjustment	1

5. Hopper Agitator



Item	Part Number	Description	Qty.
1	2.1.1.23.0001	Blade - Hopper Agitator - Standard	2
2	2.1.1.12.0005	Agitator Assembly - 148mm	2
3	2.1.4.02.017	Pulley - Hopper Agitator - Single - 47.6mm	1
4	2.1.4.08.025	Belt - Hopper Agitator - 580mm	1
5	3.3.04.04.005	Pulley - Hopper Agitator - Motor - 38.9mm	1
6	2.3.4.45.003	Bracket - Agitator Motor - 84mm	1
7	3.3.01.01.003	Motor - Agitator - 110V - YN80-25	1

6. Electrical and Power Control Box



Ite	Part Number	Description	Qty.
1	2.2.4.17.0003	Electrical Box - 6490	1
2	3.1.01.01.011	Contactors - 110V - 3RT6017-1AF01	3
3	3.1.01.02.012	Thermal Overload Relay - 3RU6116-1HB0	2
4	2.2.4.20.0003	Cover - Electrical Box - 6490	2
5	3.1.03.04.003	Switch - FB - Low Mix Alarm - Green Square	2
6	3.1.03.04.002	Reset Button - Thermal Overload	2
7	3.6.19.001	Screw - M4x8	4
8	2.1.1.30.0012	Control Board - FB	1
9	3.1.01.04.007	Transformer - 50W - 50313MW232	1