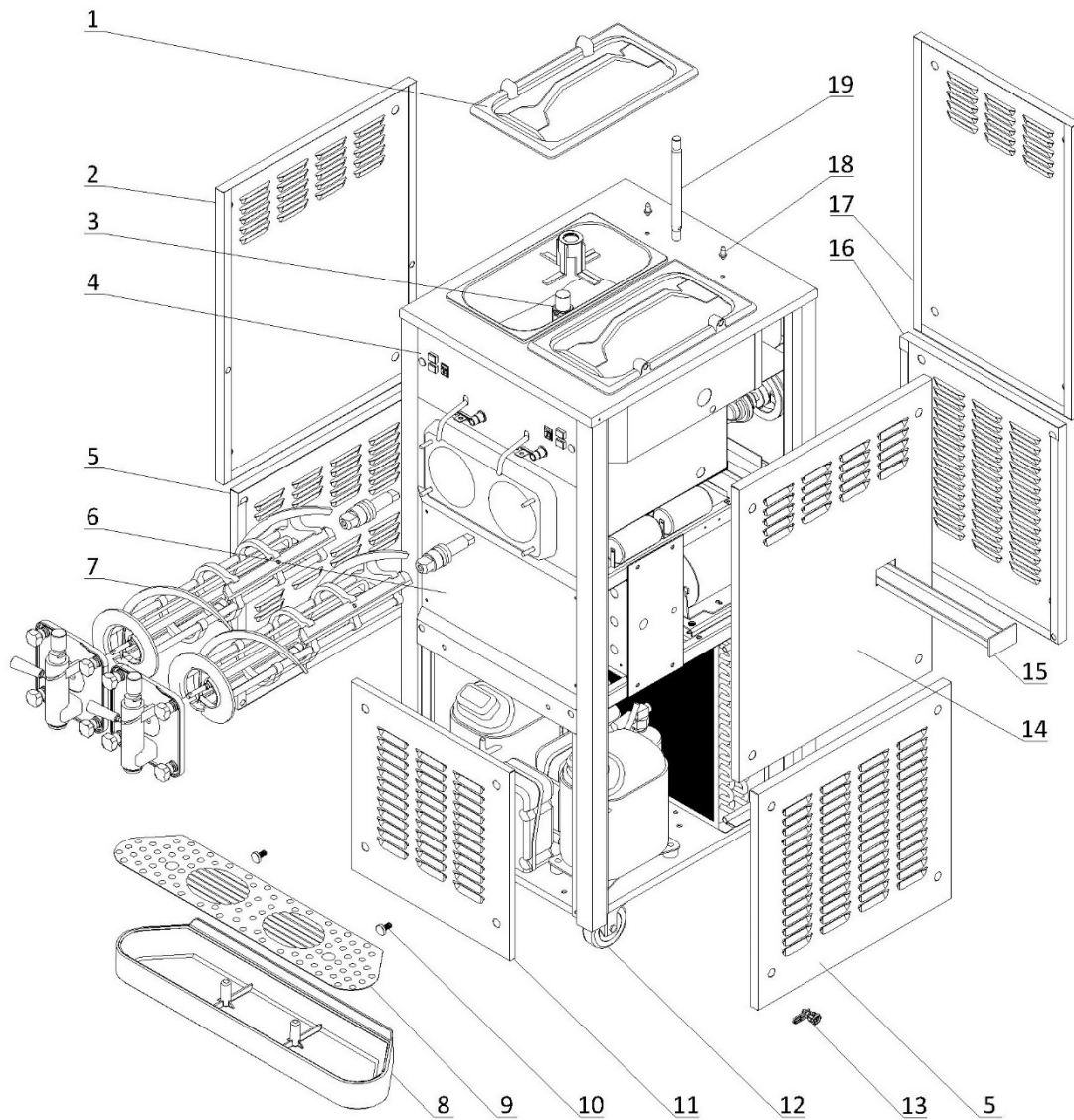


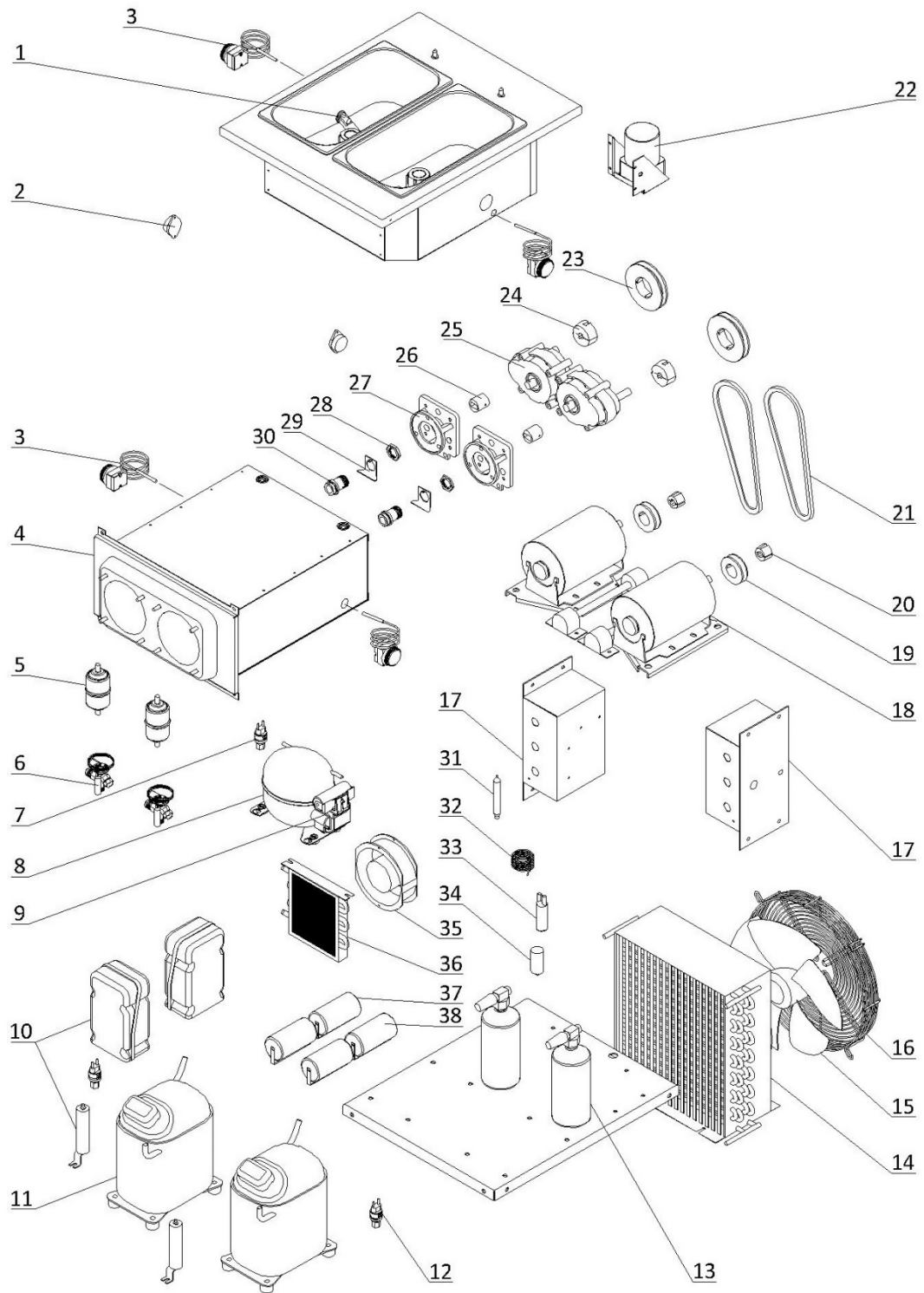
### 1. External Parts



## 1. External Parts

Item	Part Number	Description	Qty.
<b>1</b>	3.4.03.01.004	Hopper Lid - 12-15L	2
<b>2</b>	2.3.4.19.006	Panel - Upper Left - 6795	1
<b>3</b>	Page 7	Hopper Agitator	2
<b>4</b>	Page 6	Draw Switch and Front Control Panel	1
<b>5</b>	2.3.4.22.004	Panel - Lower Left & Right - 6795	2
<b>6</b>	2.3.4.16.006	Panel - Middle Front - 6795	1
<b>7</b>	Page 5	Dispensing Door and Beater	1
<b>8</b>	3.4.04.01.010	Front Drip Tray - 58mm - White	1
<b>9</b>	2.3.4.45.304	Splash Shield - Front Drip Tray - 58mm - White	1
<b>10</b>	3.6.39.004	Drip Tray Mounting Bolt	2
<b>11</b>	2.3.4.17.013	Panel - Lower Front - 6795	1
<b>12</b>	3.3.05.02.002	Caster Swivel - 125X34	4
<b>13</b>	8.1.07.001	Panel Lock Assembly	28
<b>14</b>	2.3.4.21.005	Panel - Upper Right - 6795	1
<b>15</b>	3.4.04.02.001	Internal Drip Tray - 45mm	1
<b>16</b>	2.3.4.15.004	Panel - Lower Rear - 6795	1
<b>17</b>	2.3.4.14.004	Panel - Upper Rear - 6795	1
<b>18</b>	3.6.39.011	Hopper Lid Holder	2
<b>19</b>	2.1.3.39.0006	Air Tube - FB	2

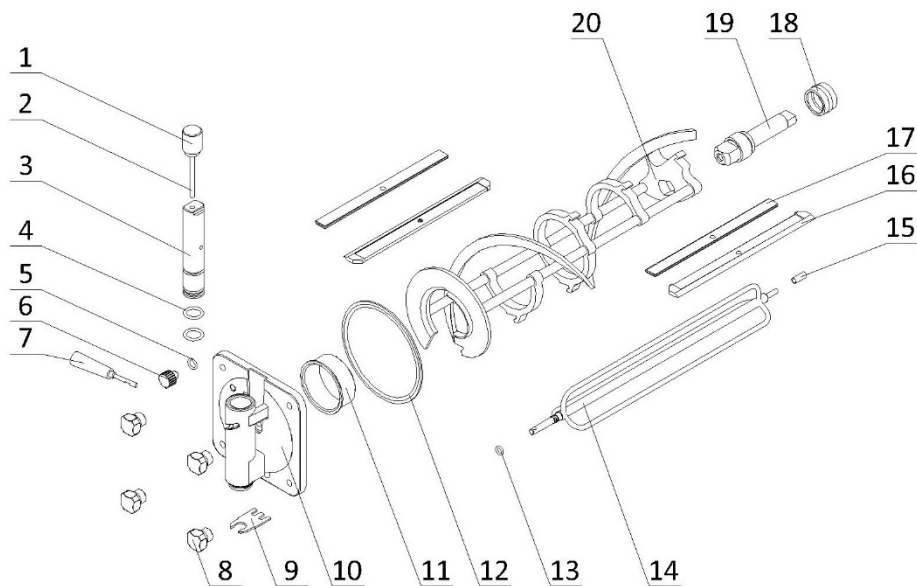
**2. Internal Parts**



## 2. Internal Parts

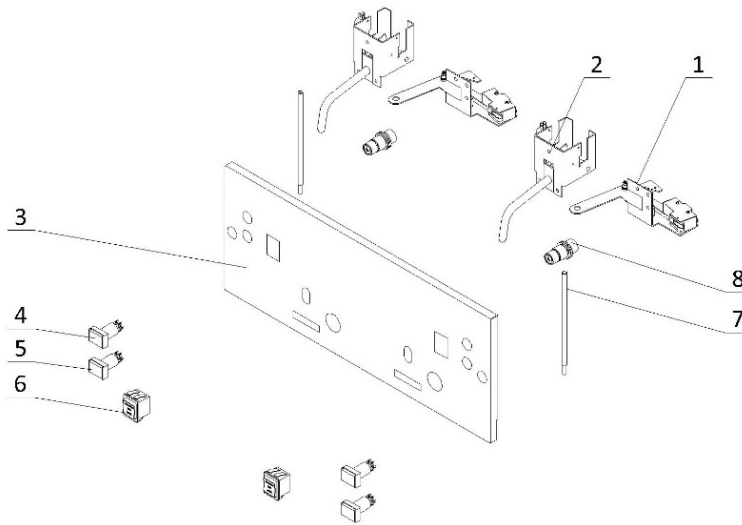
Item	Part Number	Description	Qty.
1	920.1.04.0002	Mix Low Sensor Assembly	2
2	3.1.02.15.003	Alarm - Low Mix - DC3-24V	2
3	3.1.01.07.003	Thermostat - 0-40°C	4
4	2.1.1.06.0029	Cylinder Assembly - 6795	1
5	3.2.04.05.002	Filter Drier - Cylinder - DML083S	2
6	3.2.04.01.001	Thermal Expansion Valve - T2	2
7	3.2.04.06.003	High Pressure Switch - 250~350psi	1
8	3.2.01.01.002.A	Auxiliary Compressor - EM30HHR	1
9	3.2.01.01.002-1	Start Component - Compressor - EM30HHR	1
10	3.2.01.04.004	Start Component - Compressor - CAJ2464Z	2
11	3.2.01.02.005.A	Primary Compressor - CAJ2464Z	2
12	3.2.04.06.004	High Pressure Switch - 350~500psi	2
13	3.2.04.08.001	liquid Receiver - 76x280	2
14	3.2.02.01.011	Main Condenser - Dual - 20m <sup>2</sup>	1
15/16	3.2.03.04.001	Fan Motor - 220/60/1 - YWF4E-350S	1
17	Page 8	Electrical Box	2
18	3.3.01.07.010	Motor - 220/60/1 - 450W - K56AC66AF41	2
19	3.3.04.02.012	Pulley - Beater Motor - SPA63-1-1008	2
20	3.3.04.01.005	Bushing - 1008-16	2
21	3.3.03.01.018	Belt - Motor to Beater - V-XPA982	2
22	Page 7	Agitator Motor Assembly	1
23	3.3.04.02.011	Pulley - Gear Box - SPA 168-1-1210	2
24	3.3.04.01.007	Bushing - 1210-16	2
25	3.3.02.01.024	Gear Box - FB - 45*20 Shaft - 79mm	2
26	3.3.02.04.006	Coupling Drive - 3.4qt-4.0qt-7.3qt - 20mm	2
27	2.1.3.15.0003	Bracket - Gear Box - 3.4-7.3qt - 79mm	2
28	3.3.02.02.010	Nut - Rear Shell Bearing	2
29	2.3.6.04.004	Lock Plate - Rear Shell Bearing - 42mm	2
30	3.3.02.02.002	Rear Shell Bearing - SS (3.4qt) + FB	2
31	3.2.04.05.001	Filter Drier - Hopper - 16x2.2x120	1
32	3.2.05.01.002	Capillary Tube - 2x0.7	1
33	3.2.04.07.001	Suction Accumulator - 25x100x0.6	1
34	3.2.03.04.001-2	Capacitor - Fan Motor - 450V - 5µF - CBB60	1
35	3.2.03.01.001	Fan Motor - BT220-15050S2HL	1
36	3.2.02.01.001	Auxiliary Condenser - Single - 0.7m <sup>2</sup>	1
37	3.1.02.22.062	Capacitor - Start - 330V - 160µF	2
38	3.1.02.22.009	Capacitor - Running - 370V - 25µF	2

### 3. Dispensing Door and Beater



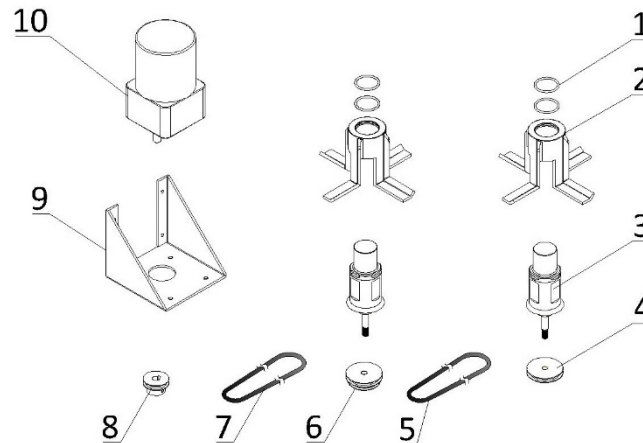
Item	Part Number	Description	Qty.
1	2.1.3.36.0004	Weight - Draw Valve - FB	2
2	2.1.3.36.0003	Pin - Draw Valve - FB	2
3	2.1.3.01.0006	Draw Valve - FB	2
4	3.4.08.01.036	O-Ring - 19x3.55	4
5	3.4.08.01.008	O-Ring - 11.5x2.5	2
6	3.4.07.08.001	Prime Plug - FB	2
7	3.4.05.01.002	Handle - Dispensing - FB	2
8	2.1.3.32.0004	Hand Screw - Dispensing - FB	8
9	2.1.4.04.014	Ice Buster - Dispensing - FB	2
10	2.1.3.14.0006	Dispensing Door - FB	2
11	3.4.01.03.003	Beater Guide - FB	2
12	3.4.08.02.005	Door Gasket - FB	2
13	3.4.08.01.017	O-Ring - 11x2.4	2
14	2.1.1.31.0001	Torque Rotor - 7.3qt	2
15	3.4.01.03.004	Torque Guide	2
16	3.4.02.01.003	Plastic - Scraper Blade - FB/6210	4
17	2.3.4.04.003	Clip - Scraper Blade - FB/6210	4
18	3.4.07.05.002	Gasket - Drive Shaft	2
19	2.1.3.25.0003	Drive Shaft - FB	2
20	2.1.1.10.0004	Beater - FB - Standard	2

#### 4. Draw Switch and Front Control Panel



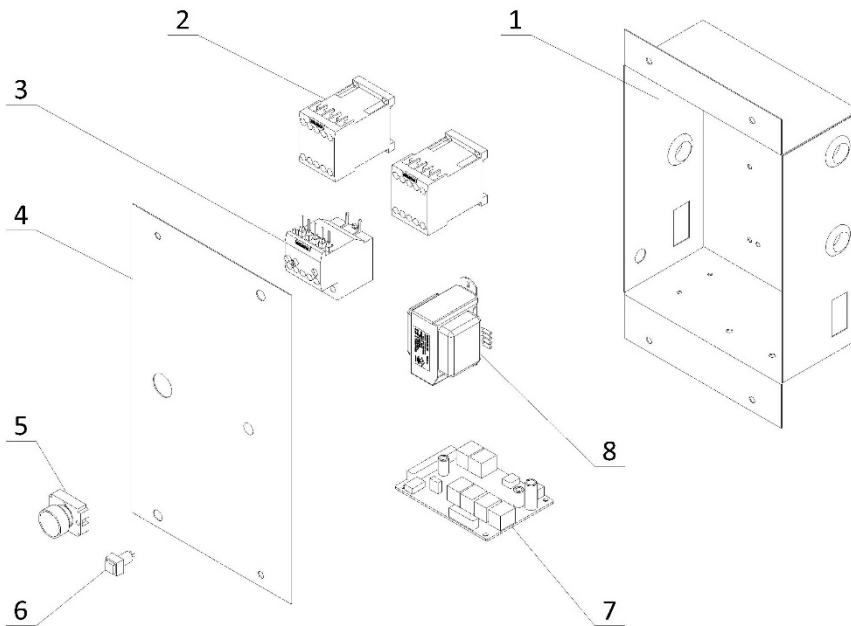
Item	Part Number	Description	Qty.
1	920.1.03.0002	Control Levers - Toque Lever	2
2	920.1.03.0003	Control Levers - Dispensing Switch	2
3	2.3.4.07.013	Panel - Draw Switch - 6695/6795	1
4	3.1.02.14.001	Light - FB - Low Mix	2
5	3.1.03.04.015	Standby Switch - FB - Amber Light	2
6	3.1.03.03.002	Power Switch - KCD2-3	2
7	2.3.6.03.007	Torque Arm - 150mm - FB	2
8	920.1.03.0001	Control Levers - Viscosity Adjustment	2

## 5. Hopper Agitator



Item	Part Number	Description	Qty.
1	3.4.08.01.034	O-Ring - 31x2	4
2	2.1.1.23.0002	Blade - Hopper Agitator - Standard - V2	2
3	2.1.1.12.0003	Agitator Assembly - 124mm	2
4	2.1.4.02.015	Pulley - Hopper Agitator - Single - 53mm	1
5	2.1.4.08.003	Belt - Hopper Agitator - 600mm	1
6	2.1.4.02.016	Pulley - Hopper Agitator - Double - 53mm	1
7	2.1.4.08.050	Belt - Hopper Agitator - 660mm	1
8	3.3.04.04.006	Pulley - Hopper Agitator - Drive - 30mm	1
9	2.3.4.45.007	Bracket - Agitator Motor - 110mm	1
10	3.3.01.01.006	Motor - Agitator - 220V - YN80-25-6G	1

## 6. Electrical Box



Ite	Part Number	Description	Qty.
1	2.2.4.17.0019	Electrical Box - 6795	2
2	3.1.01.01.010	Contactor - 220V - 3RT6017-1AN21	4
3	3.1.01.02.010	Thermal Overload Relay - 3RU6116-1EBO	2
4	2.2.4.20.0019	Cover - Electrical Box - 6795	2
5	3.1.03.04.002	Reset Button - Thermal Overload	2
6	3.1.03.04.003	Switch - FB - Low Mix Alarm - Green Square	2
7	2.1.1.30.0012	Control Board - FB	2
8	3.1.01.04.007	Transformer - 50W - 50313MW232	2