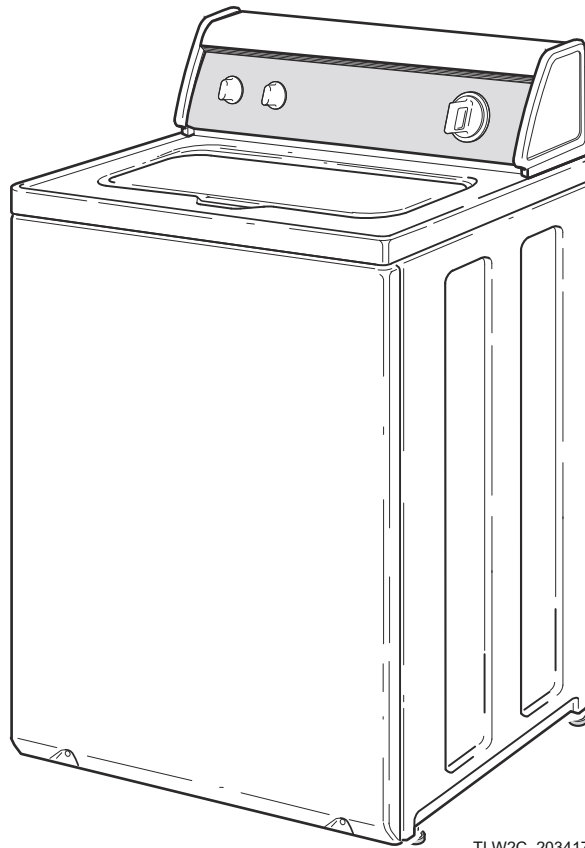


Home Topload Washers

Refer to Page 3 for Model Numbers



TLW2C_203417

Parts

Table of Contents

Title	Page
Parts Ordering Information.....	2
Serial Plate Location	2
Model Identification	3
Graphic Panel, Control Support Panel and Controls (Drawing 1 of 2).....	4
Graphic Panel, Control Support Panel and Controls (Drawing 2 of 2).....	6
Lid Switch Assembly	8
Top, Lid and Hood Back Panel	10
Junction Box	12
Fill Hose, Mixing Valve-to-Tub Cover Hose, Mixing Valve and Bracket.....	14
Motor, Mounting Bracket, Belt, Pump and Idler Assembly.....	16
Motor, Mounting Bracket, Belt, and Idler Assembly	18
Agitator, Fabric Softener Dispenser, Drive Bell, Hub and Lip Seal Kit and Washtub.....	20
Outer Tub, Cover, Bearing and Seal Housing, Pressure Hose and Counterweight.....	22
Drain Hose and Siphon Break Kit	24
Electric Drain Pump, Drain Hose and Siphon Break Kit.....	26
Weldment and Bearing Assembly, Brake and Pulley.....	28
Transmission Assembly	30
Front Panel, Base Assembly and Cabinet Kit.....	32
Mixing Valve and Motor Connection Blocks, Terminals and Extractor Tool.....	34
Lead-In Cord and Terminals	36
Terminals	38
Shipping Brace, Plug and Special Tools.....	40
Special Tools	42
Output Board, Wire Harnesses and Wires	44
Wire Harnesses and Wires	46
Parts Index.....	49

© Copyright 2017, Alliance Laundry Systems LLC

All rights reserved. No part of the contents of this book may be reproduced or transmitted in any form or by any means without the expressed written consent of the publisher.

Parts Ordering Information

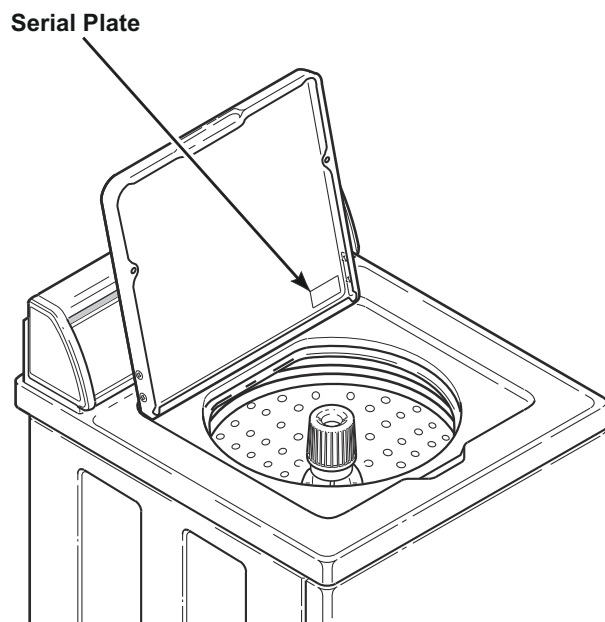
If literature or replacement parts are required, contact the source from whom the machine was purchased or contact Alliance Laundry Systems at (920) 748-3950 for the name and address of the nearest authorized parts distributor.

For technical assistance, call the number listed below:

(920) 748-3121 Ripon, Wisconsin

Serial Plate Location

When calling or writing about your product, be sure to mention model and serial numbers. Model and serial numbers are located on serial plate(s) as shown.



W429S_203417

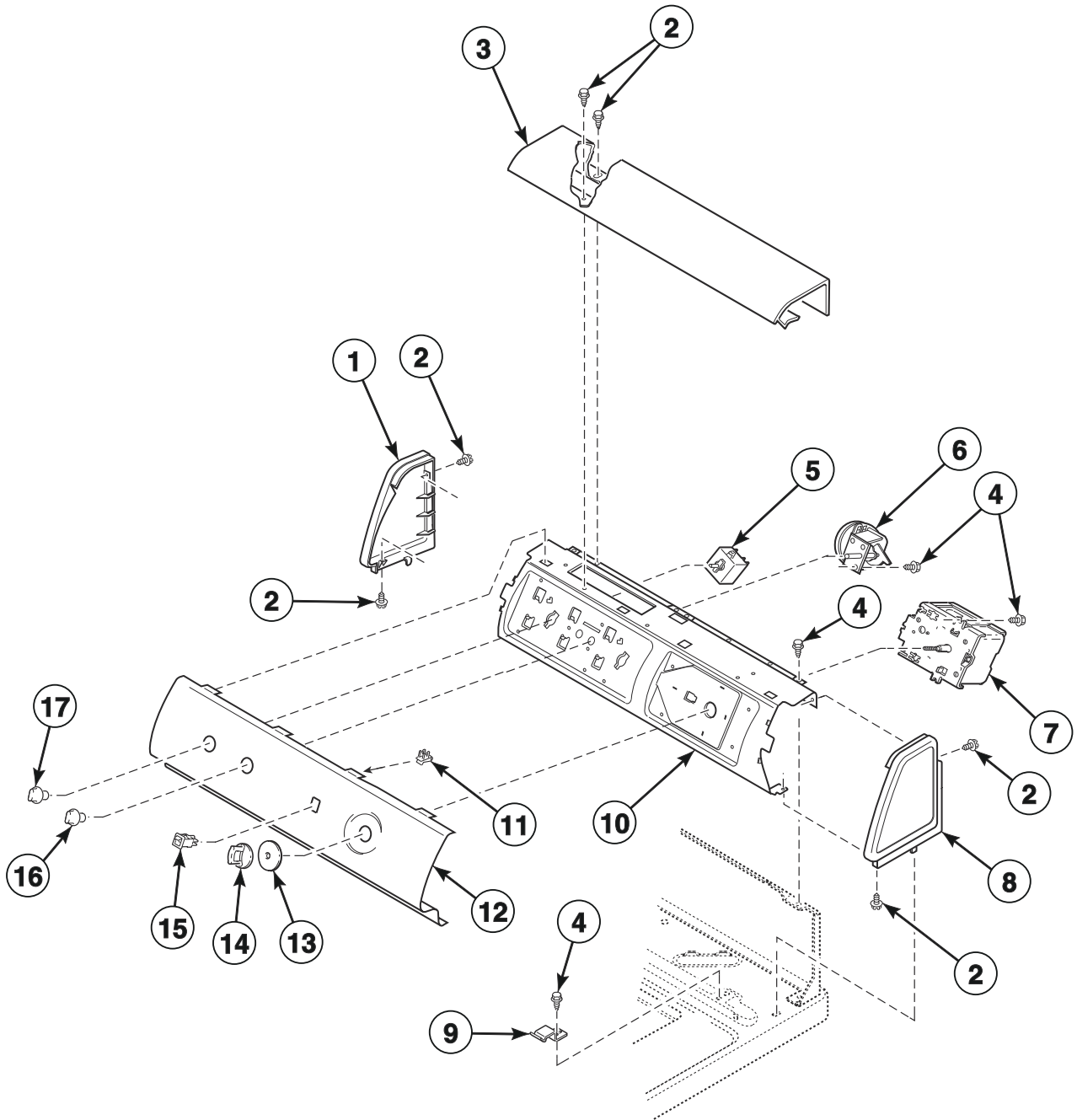
Model Identification

Information in this manual is applicable to these washer models:

AWN432SP113TW01
AWN432SP113TW04
AWNE82SN303AW01
AWNE82SP113TW01
AWNE92SN303AW01
AWNE92SP113TW01

Graphic Panel, Control Support Panel and Controls (Drawing 1 of 2)

Models AWN432SP113TW01 and AWN432SP113TW04



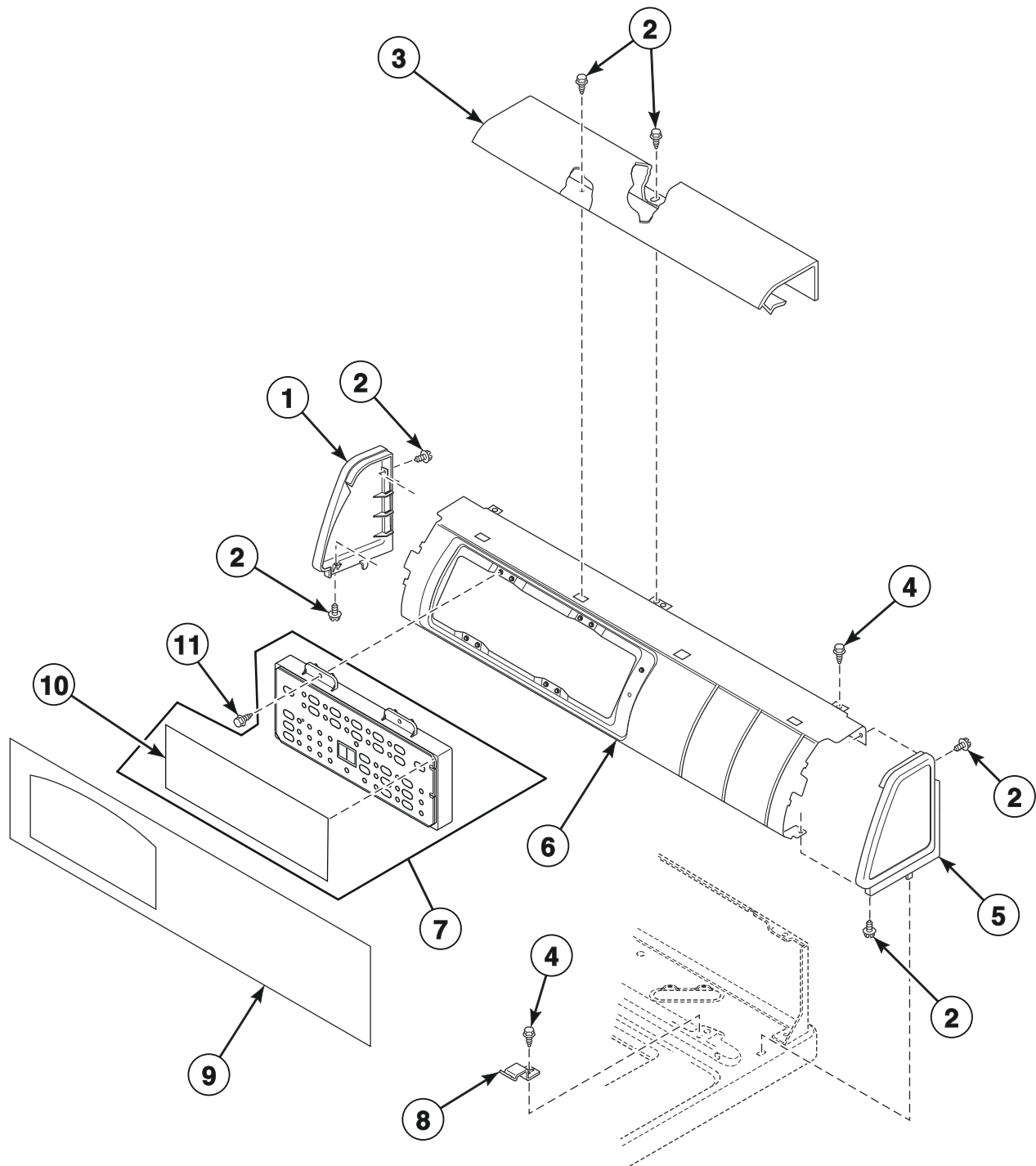
TLW1774P_203417

Graphic Panel, Control Support Panel and Controls (Drawing 1 of 2)

REF	PART NO.	DESCRIPTION	COMMENTS
1	504009WP	End Panel	Left
2	501086	Screw	
3	39905W	Top Cover	
4	23962	Screw	
5	35115	Temperature Switch	3 position
6	202937	Pressure Switch	
7	202705P	Timer	Model AWN432SP113TW01; Models starting serial nos. beginning with 1501
	203387P	Timer	When using 203387P Timer to replace 202705P Timer only one timer wire block connection is used on the timer. Connect the harness to the timer block that the harness plug will accept. The two blocks are unique in design and can not be mis-wired.
8	504008WP	End Panel	Right
9	35358	Hold-Down Clip	
10	38565	Control Support Panel	
11	00161	Grounding Clip	
12	203606W	Graphic Panel	
13	803116	Timer Skirt Assembly	
14	202133	Timer Knob Assembly	
15	38424W	Rocker Switch	
16	803118P	Knob Assembly	
17	803119P	Control Knob Assembly	

Graphic Panel, Control Support Panel and Controls (Drawing 2 of 2)

Models AWNE82SN303AW01, AWNE82SP113TW01, AWNE92SN303AW01 and AWNE92SP113TW01

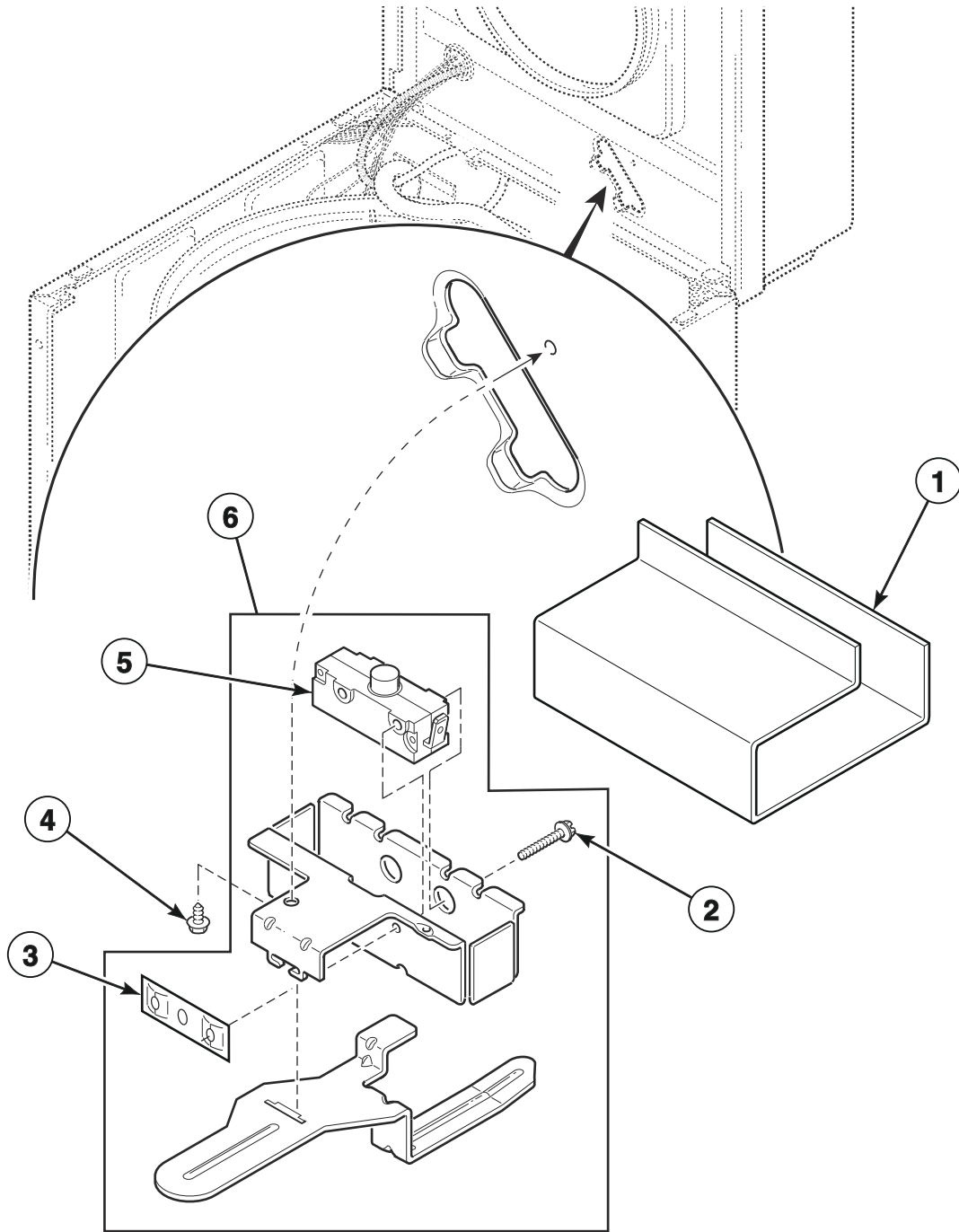


TLW1772P_203417

Graphic Panel, Control Support Panel and Controls (Drawing 2 of 2)

REF	PART NO.	DESCRIPTION	COMMENTS
	203111P	EMI Filter Assembly	Models AWNE82SN303AW01 and AWNE92SN303AW01; Includes 29787 Nut, 80262 Grommet, 203068 Junction Box, 800258 Screw and 804864 Line Filter
1	504009WP	End Panel	Left
2	501086	Screw	
3	39905W	Top Cover	
4	23962	Screw	
5	504008WP	End Panel	Right
6	202942	Control Support Panel	
7	202771P	Control Assembly	Model AWNE92SN303AW01; Includes item 10
	202769P	Control Assembly	Model AWNE92SP113TW01; Includes item 10
	202772P	Control Assembly	Model AWNE82SN303AW01; Includes item 10
	202770P	Control Assembly	Model AWNE82SP113TW01; Includes item 10
8	35358	Hold-Down Clip	
9	202797P	Graphic Panel	
10	202628	Overlay	Models AWNE92SN303AW01 and AWNE92SP113TW01
	202751	Control Overlay	Models AWNE82SN303AW01 and AWNE82SP113TW01
11	804667	Screw	

Lid Switch Assembly

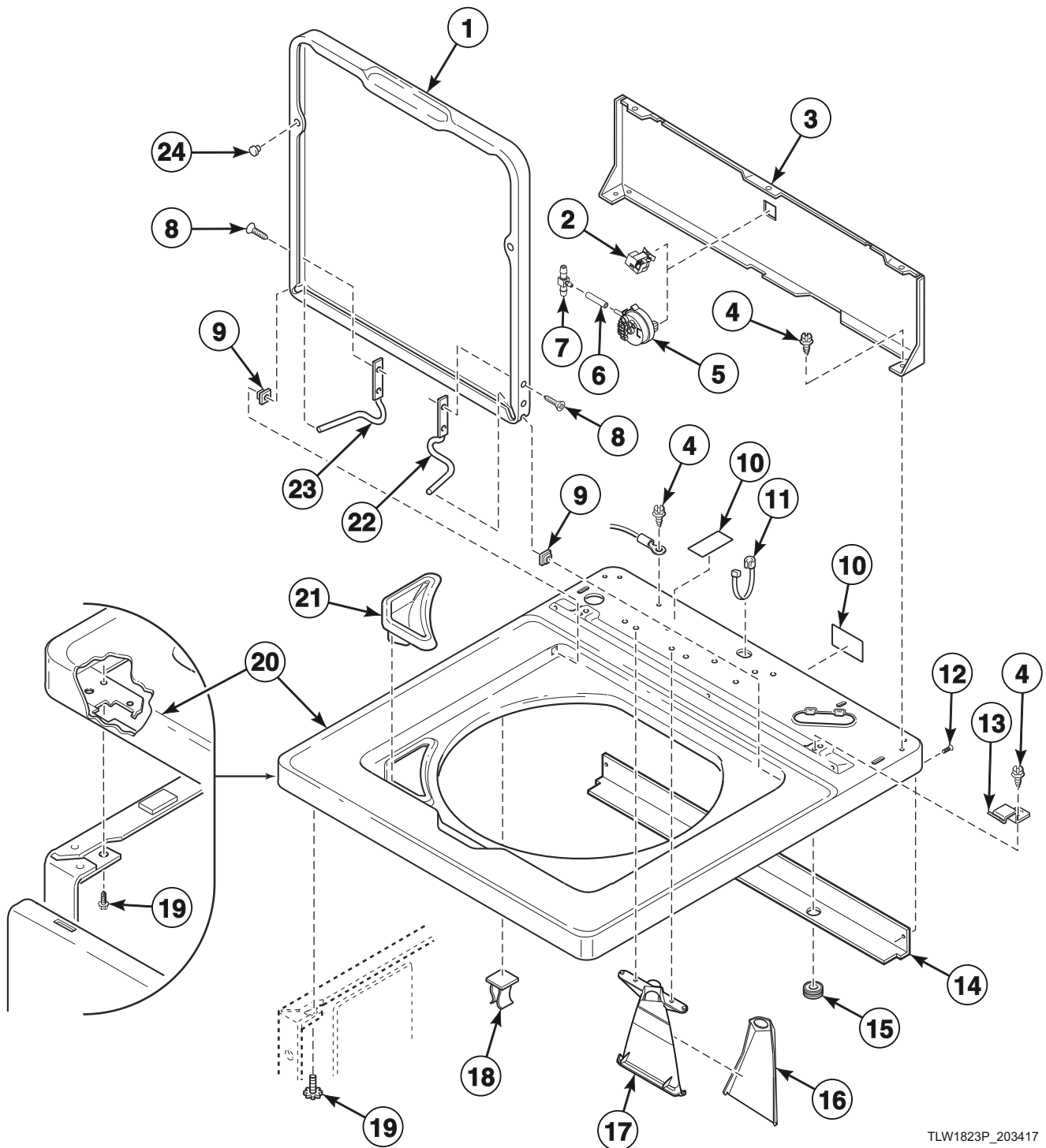


TLW1797P_203417

Lid Switch Assembly

REF	PART NO.	DESCRIPTION	COMMENTS
1	203136	Lid Switch Drip Shield	Models AWNE82SN303AW01 and AWNE92SN303AW01
2	M402574	Screw	
3	M400981	Nut	
4	23962	Screw	
5	33445	Switch	
6	37631	Lid Switch Assembly	

Top, Lid and Hood Back Panel



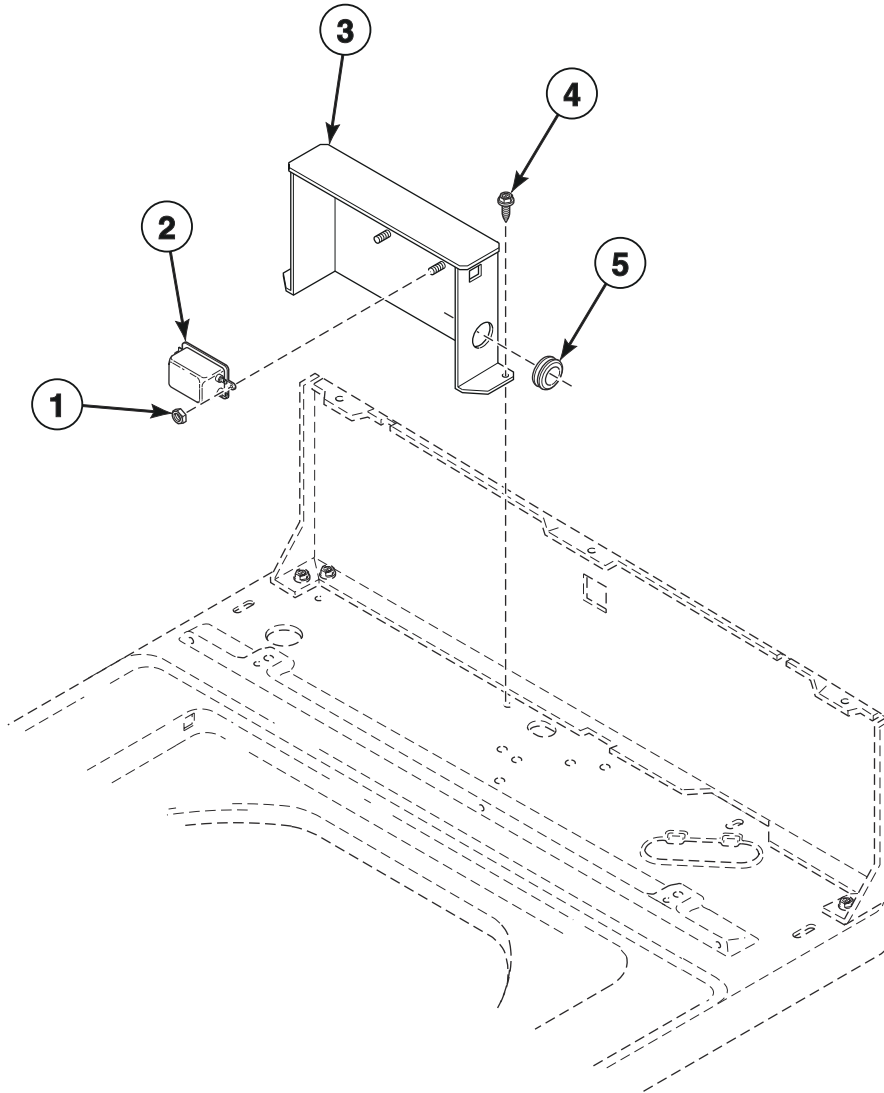
TLW1823P_203417

Top, Lid and Hood Back Panel

REF	PART NO.	DESCRIPTION	COMMENTS
1	37395WP	Lid	
	203045	Lid Warning Label	
2	202470	Pressure Sensor	All models except AWN432SP113TW01 and AWN432SP113TW04
3	203110	Hood Back Panel	Models AWNE82SN303AW01 and AWNE92SN303AW01
	37782	Hood Back Panel	Model AWN432SP113TW01
	202549	Hood Back Panel	All other models
4	23962	Screw	
5	B12548401	Pressure Switch	Model AWN432SP113TW04
6	203511	Tubing	Model AWN432SP113TW04
7	203464	Barbed Tee	Model AWN432SP113TW04
8	34337	Screw	
9	33446	Bushing	
10	505281	Disconnect Power Warning Label	
11	38384	Strain Relief	
12	431287	Screw	Models AWNE82SN303AW01 and AWNE92SN303AW01
13	35358	Hold-Down Clip	
14	39744	Top Shield	Models AWNE82SN303AW01 and AWNE92SN303AW01
15	80262	Grommet	Models AWNE82SN303AW01 and AWNE92SN303AW01
16	202894	Inlet Cover	
17	202900	Inlet Deflector	
18	36519	Hinge Stop Clip	
19	33562	Screw	
20	37992WP	Top	
21	38382	Bleach Dispenser	
22	36437	Lid Hinge	Right
23	36513	Lid Hinge	Left
24	21685	Bumper	

Junction Box

Models AWNE82SN303AW01 and AWNE92SN303AW01

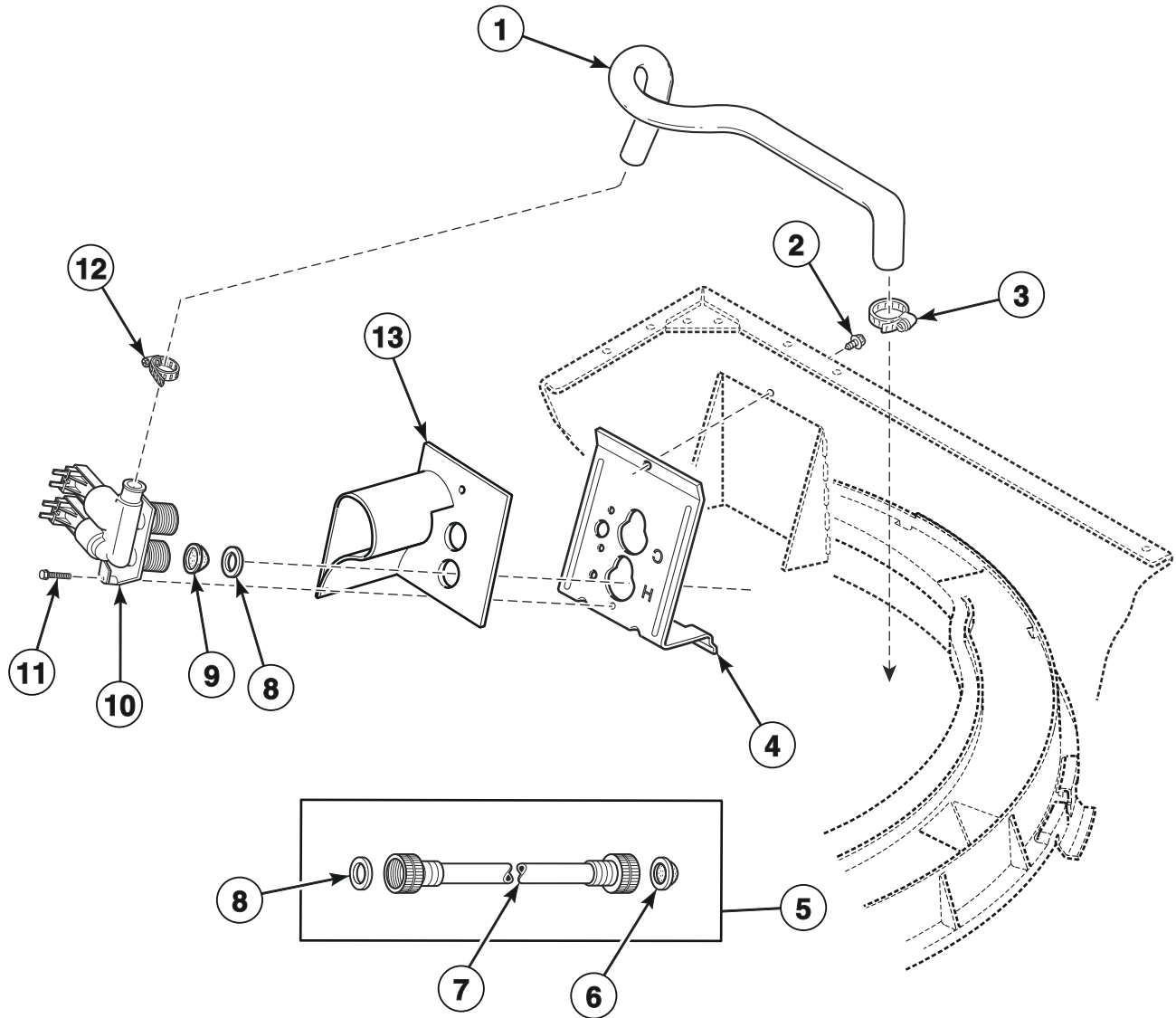


TLW1809P_203417

Junction Box

REF	PART NO.	DESCRIPTION	COMMENTS
1	29787	Nut	
2	804864	Line Filter	
3	203068	Junction Box	
4	800258	Screw	
5	80262	Grommet	

Fill Hose, Mixing Valve-to-Tub Cover Hose, Mixing Valve and Bracket



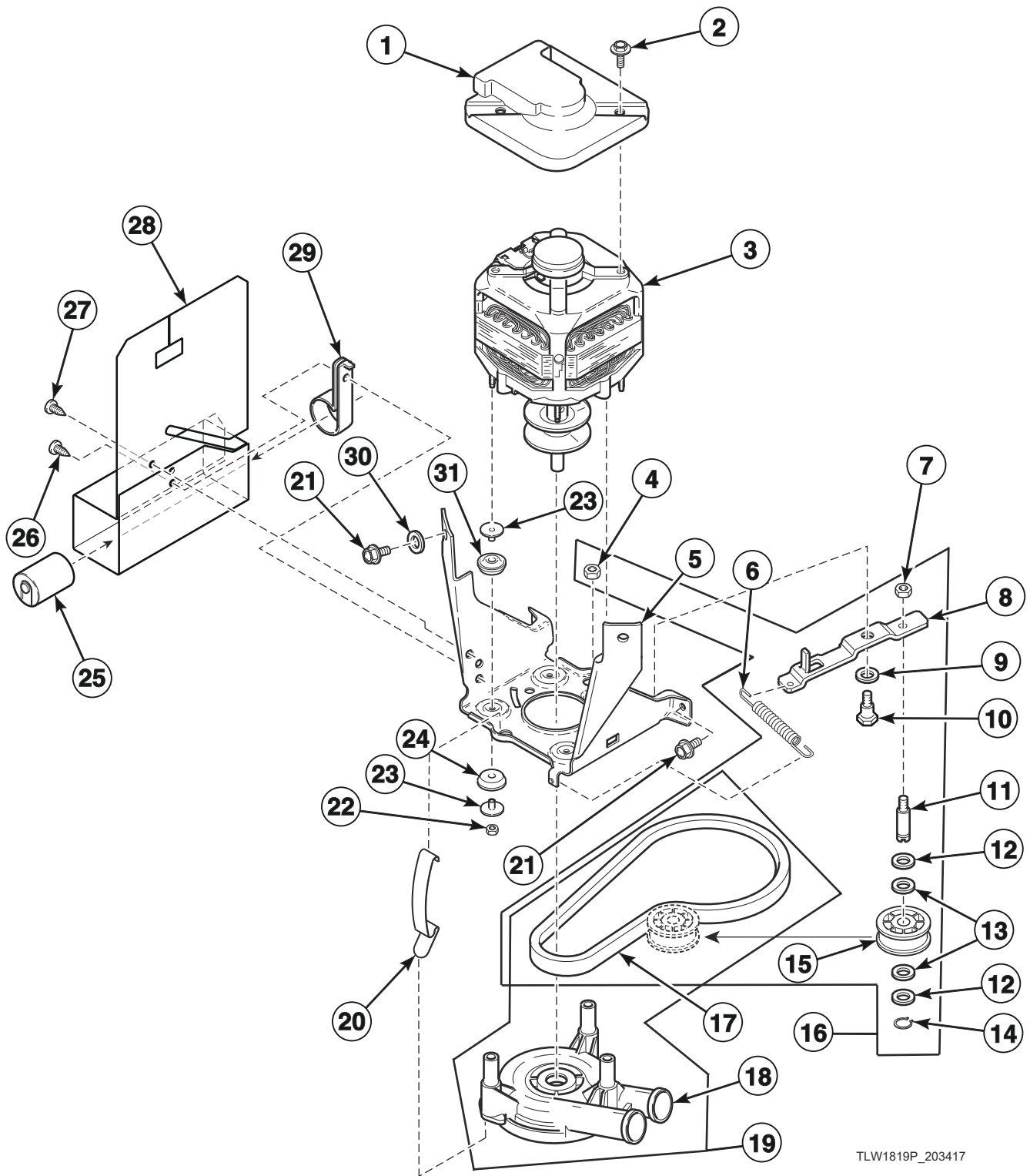
TLW1798P_203417

Fill Hose, Mixing Valve-to-Tub Cover Hose, Mixing Valve and Bracket

REF	PART NO.	DESCRIPTION	COMMENTS
1	202884	Valve to Inlet Hose	
2	33562	Screw	
3	800803	Hose Clamp	
4	39407	Mixing Valve Mounting Bracket	
5	F200116	Water Hose	5 feet; Models AWN432SP113TW01, AWN432SP113TW04, AWNE82SP113TW01 and AWNE92SP113TW01
6	803615	Washer	Filter screen
	802254	Washer	Flow restrictor; Water pressure reducer; Available for water pressure up to but not exceeding 120 psi
7	20617	Fill Hose	8 feet; Models AWN432SP113TW01, AWN432SP113TW04, AWNE82SP113TW01 and AWNE92SP113TW01
	20618	Fill Hose	10 feet; Models AWN432SP113TW01, AWN432SP113TW04, AWNE82SP113TW01 and AWNE92SP113TW01
	202800	Fill Hose	4 feet; Models AWNE82SN303AW01 and AWNE92SN303AW01
	202931	Fill Hose	10 feet; Models AWNE82SN303AW01 and AWNE92SN303AW01
8	20290	Washer	
9	24122	Mixing Valve Screen	
10	202396P	Mixing Valve	Models AWNE82SN303AW01 and AWNE92SN303AW01
	202395P	Mixing Valve	All other models
11	39397	Screw	
12	36801	Hose Clamp	
13	202899	Mixing Valve Shield	Models AWNE82SN303AW01 and AWNE92SN303AW01

Motor, Mounting Bracket, Belt, Pump and Idler Assembly

Models AWN432SP113TW01, AWN432SP113TW04, AWNE82SP113TW01 and AWNE92SP113TW01



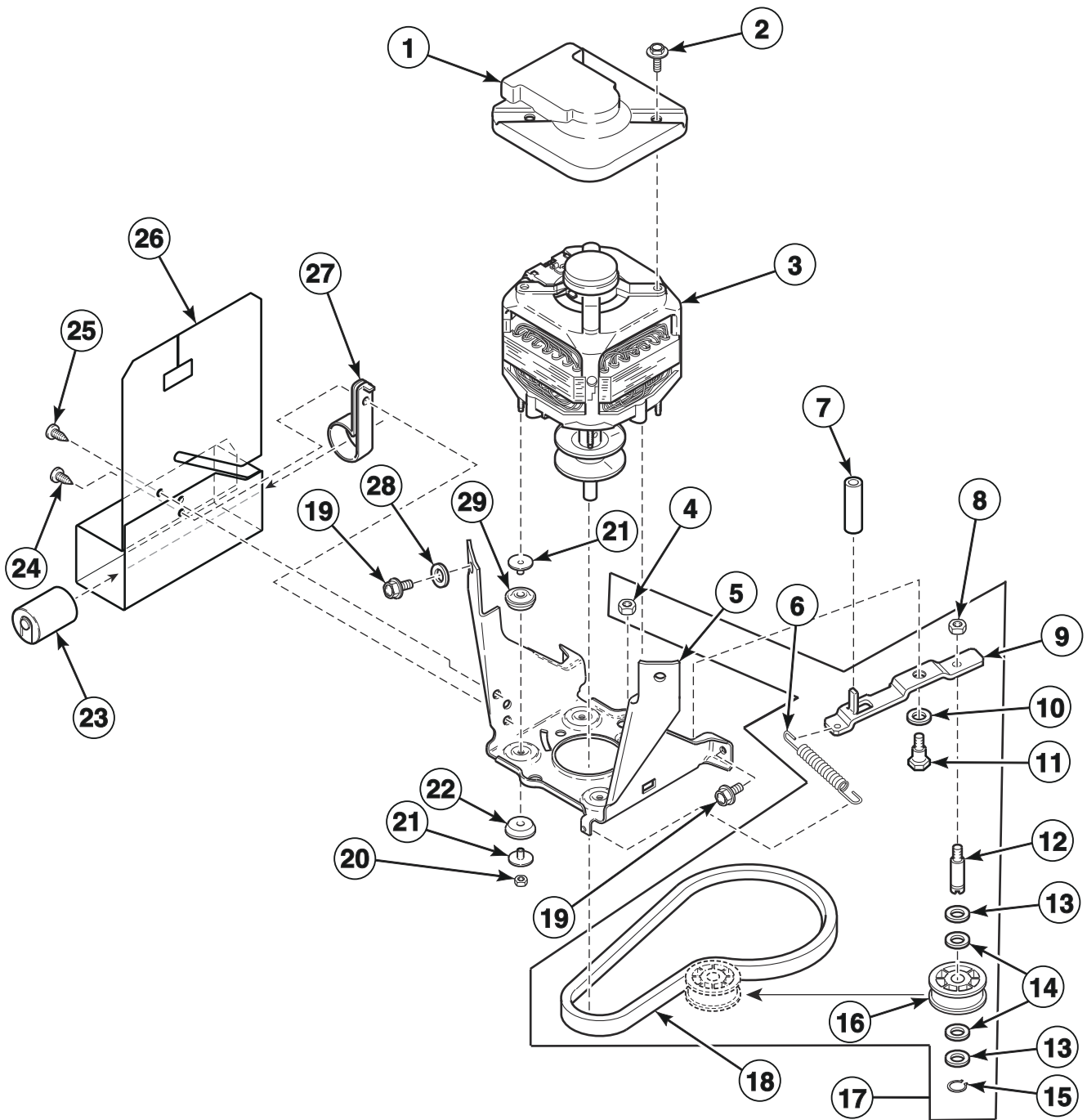
TLW1819P_203417

Motor, Mounting Bracket, Belt, Pump and Idler Assembly

REF	PART NO.	DESCRIPTION	COMMENTS
1	34754	Motor Shield	
2	36639	Screw	
3	38034P	Motor Kit	Includes 37377 Capacitor
4	52566	Nut	
5	200941	Motor Mount Bracket	
6	202032	Idler Lever Spring	
7	28803	Nut	
8	38011	Idler Lever	
9	81392	Washer	
10	27229	Screw	
11	210186	Idler Shaft	
12	504082	Washer	
13	52549	Washer	Nylatron
14	23748	Retaining Ring	
15	38225P	Idler Pulley	
16	959P3	Idler Lever Kit	Includes items 4, 6, 7-15 and 17
17	38174	Agitate and Spin Belt	
18	201566P	Pump	
19	RB150003	Belt and Pump Kit	Includes items 17 and 18
20	210202	Spring Clip	
21	35369	Screw	
22	35423	Nut	
23	38325	Isolator Post	
24	38396	Motor Mount	
25	37377	Capacitor	
26	31645	Screw	
27	52909	Screw	
28	203053	Motor Drip Shield	
29	37535	Capacitor Clamp	
30	37772	Washer	
31	38395	Motor Mount	

Motor, Mounting Bracket, Belt, and Idler Assembly

Models AWNE82SN303AW01 and AWNE92SN303AW01

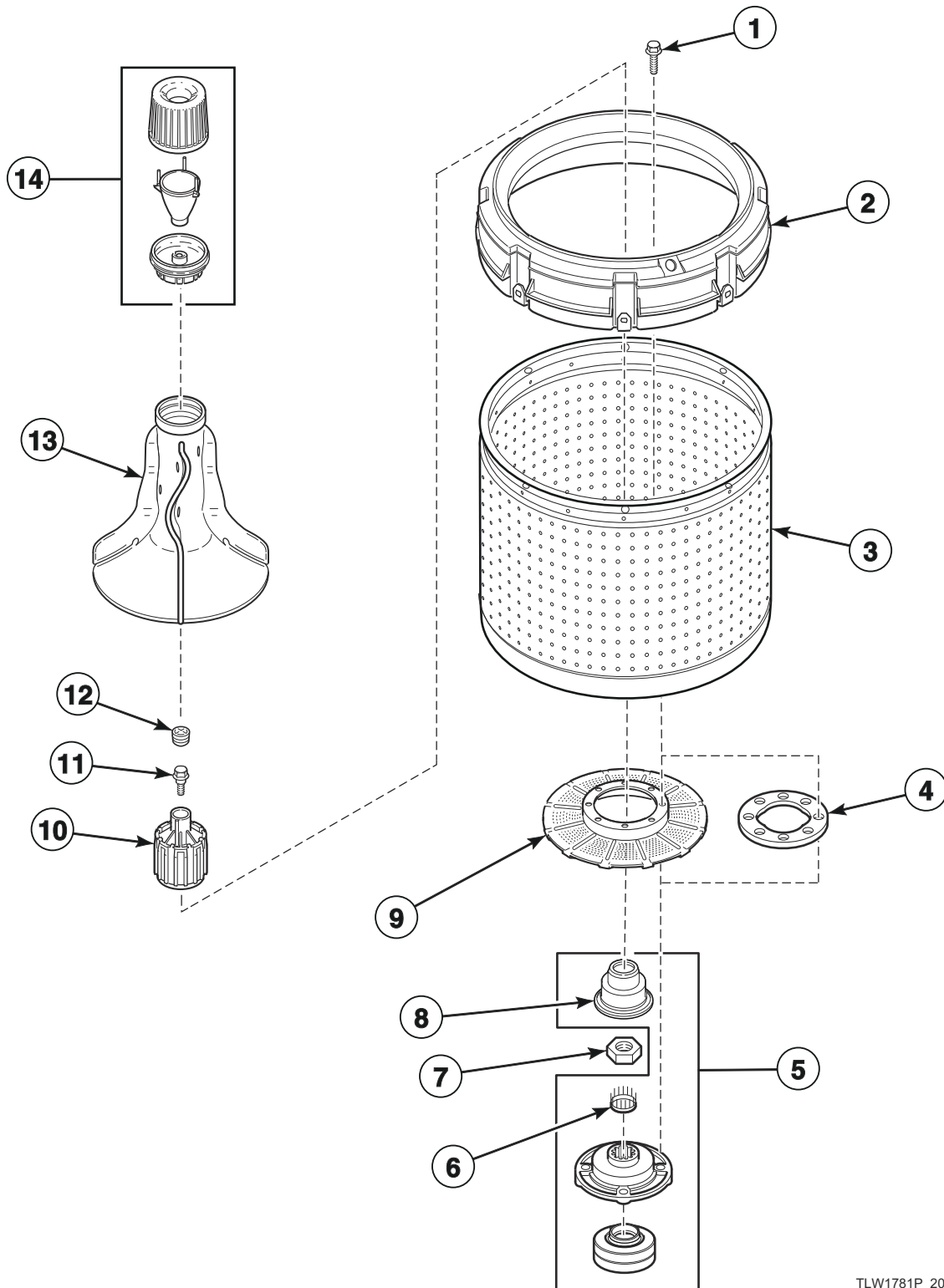


TLW1820P_203417

Motor, Mounting Bracket, Belt, and Idler Assembly

REF	PART NO.	DESCRIPTION	COMMENTS
1	34754	Motor Shield	
2	36639	Screw	
3	202544P	Motor Assembly	2 speed; 240Volt/50 Hertz
4	52566	Nut	
5	200941	Motor Mount Bracket	
6	201189	Idler Lever Spring	
7	202333	Tube	Models AWNE82SN303AW01 and AWNE92SN303AW01
8	28803	Nut	
9	38011	Idler Lever	
10	81392	Washer	
11	27229	Screw	
12	210186	Idler Shaft	
13	504082	Washer	
14	52549	Washer	Nylatron
15	23748	Retaining Ring	
16	38225P	Idler Pulley	
17	202972	Idler Lever and Belt Kit	Includes items 4, 6, 8-16 and 18
18	200923	Agitate and Spin Belt	
19	35369	Screw	
20	35423	Nut	
21	38325	Isolator Post	
22	38396	Motor Mount	
23	203140	Capacitor	
24	31645	Screw	
25	52909	Screw	
26	203053	Motor Drip Shield	
27	37535	Capacitor Clamp	
28	37772	Washer	
29	38395	Motor Mount	

Agitator, Fabric Softener Dispenser, Drive Bell, Hub and Lip Seal Kit and Washtub

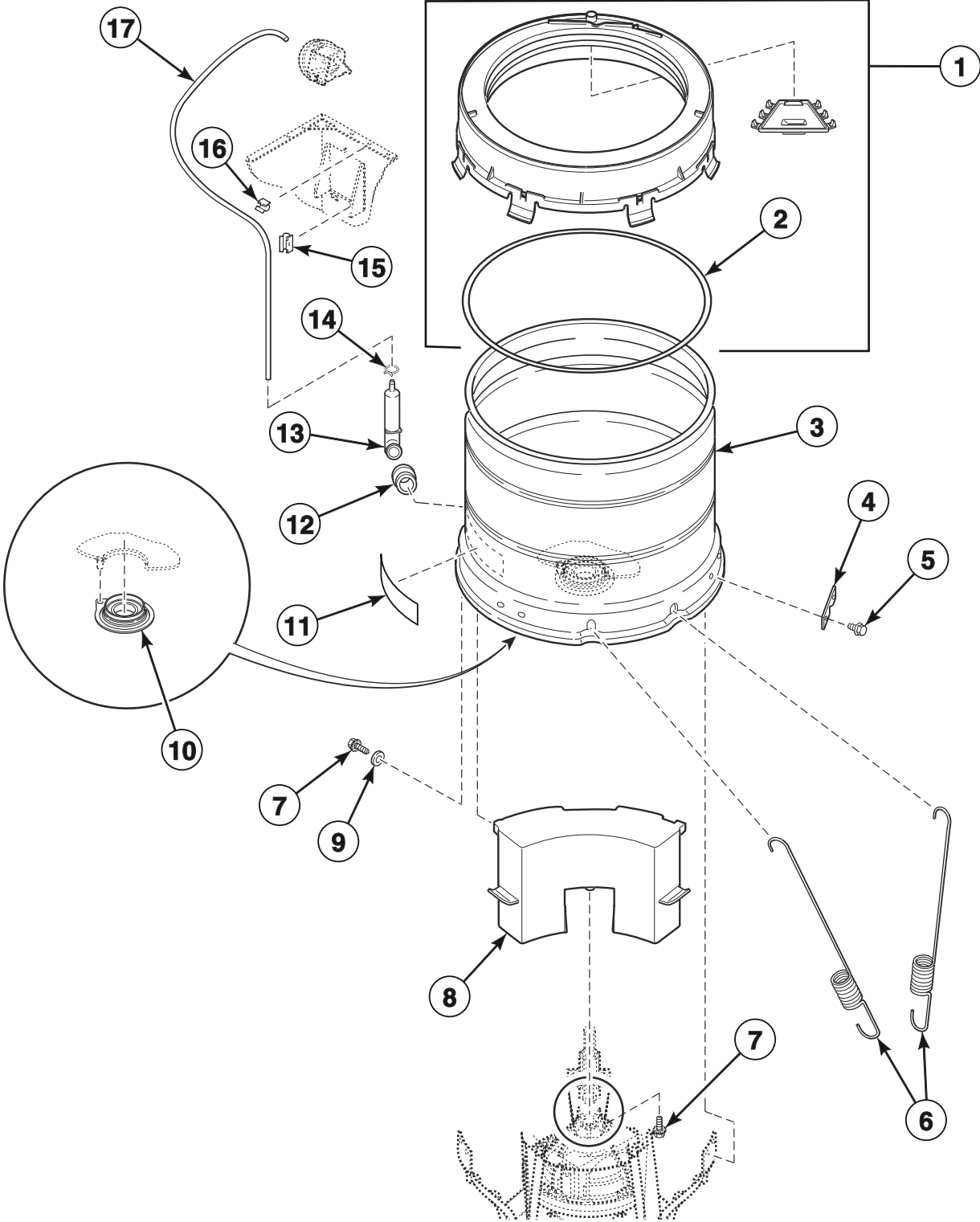


TLW1781P_203417

Agitator, Fabric Softener Dispenser, Drive Bell, Hub and Lip Seal Kit and Washtub

REF	PART NO.	DESCRIPTION	COMMENTS
1	27202	Screw	
2	39837	Balance Ring Assembly	
3	719P3	Washtub Kit	Stainless steel
4	39122	Washtub Gasket	Models AWN432SP113TW01, AWN432SP113TW04, AWNE82SN303AW01 and AWNE82SP113TW01
5	766P3A	Hub and Lip Seal Kit	DO NOT use any sealant other than 200996P Sealant; Includes item 10 and installation tool
	200996P	Sealant	Use with hub and lip seal kit
6	29728	Spline Insert	
7	29220	Nut	
8	36425	Bell and Transmission Tube Seal	
9	39371	Lint Filter	Models AWNE92SN303AW01 and AWNE92SP113TW01; Models through serial nos. beginning 1503
10	39508P	Drive Bell and Seal Kit	Includes items 8, 11 and 12
11	39432	Screw	
12	36511	Bell Plug	
13	36507	Flex Vane Agitator	
14	36542	Fabric Softener Dispenser Assembly	

Outer Tub, Cover, Bearing and Seal Housing, Pressure Hose and Counterweight



TLW1464P_203417

Outer Tub, Cover, Bearing and Seal Housing, Pressure Hose and Counterweight

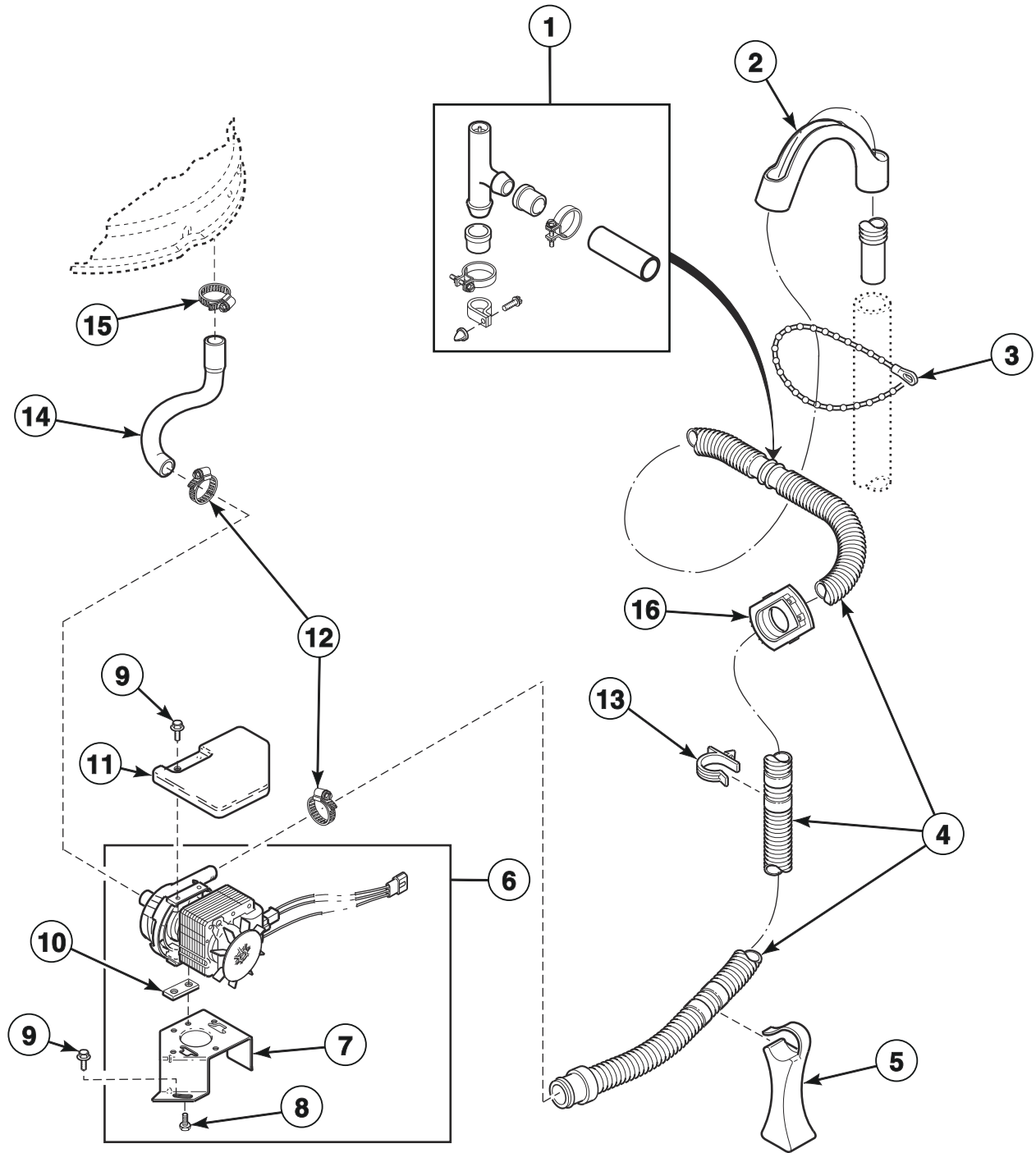
REF	PART NO.	DESCRIPTION	COMMENTS
1	202888	Tub Cover Assembly	Includes item 2
2	38359	Tub Cover Gasket	
3	200511P	Outer Tub Assembly	
4	27926	Leg Plate	
5	35369	Screw	
6	37575	Leg Spring	
7	39566	Screw	
8	38769	Counterweight Assembly	
9	39249	Washer	
10	766P3A	Hub and Lip Seal Kit	
	200996P	Sealant	Use with hub and lip seal kit
11	500049	Warning Label	
12	29175	Grommet	
13	30907	Pressure Bulb	
14	39282	Hose Clamp	
15	36985	Hose Clip	
16	21036	Cable Clip	
17	203478	Tubing	Model AWN432SP113TW04
	202700	Tubing	All other models

Drain Hose and Siphon Break Kit

REF	PART NO.	DESCRIPTION	COMMENTS
	451P3	Drain Extension Kit	
1	562P3	Siphon Break Kit	Siphon break kit MUST be installed in drain hose if drain receptacle is lower than cabinet top of washer; Optional
2	33489	Standpipe Strap	
3	33615	Drain Hose Sleeve	
4	36878	Standpipe Adapter	
5	32219	Strain Relief	
6	39893	Drain Hose	
7	38732	Hose Stand	
8	F200204	Hose Clamp	
9	38351	Tub-to-Pump Hose	
10	36014	Retainer Clip	

Electric Drain Pump, Drain Hose and Siphon Break Kit

Models AWNE82SN303AW01 and AWNE92SN303AW01

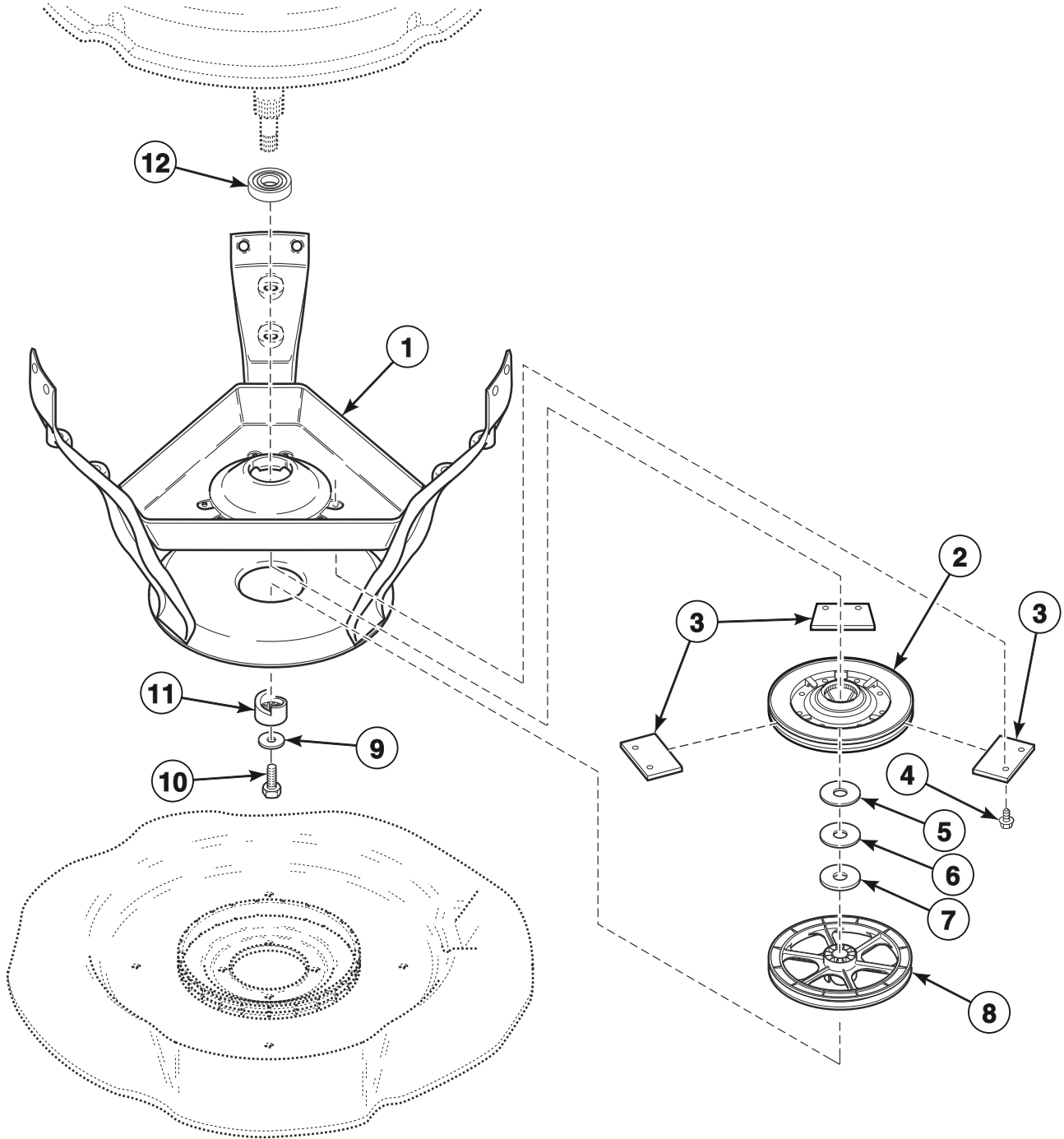


W378P_203417

Electric Drain Pump, Drain Hose and Siphon Break Kit

REF	PART NO.	DESCRIPTION	COMMENTS
	451P3	Drain Extension Kit	
1	562P3	Siphon Break Kit	Siphon break kit MUST be installed in drain hose if drain receptacle is lower than cabinet top of washer
2	33615	Drain Hose Sleeve	
3	33489	Standpipe Strap	
4	39864	Drain Hose	
5	38732	Hose Stand	
6	39255P	Drain Pump	
7	38789	Pump Bracket	
8	38096	Screw	Metric
9	503661	Screw	
10	38095	Pump Isolator	
11	38768	Pump Shield	
12	20391	Hose Clamp	
13	36014	Retainer Clip	
14	38759	Tub-to-Pump Hose	
15	F200204	Hose Clamp	
16	32219	Strain Relief	

Weldment and Bearing Assembly, Brake and Pulley

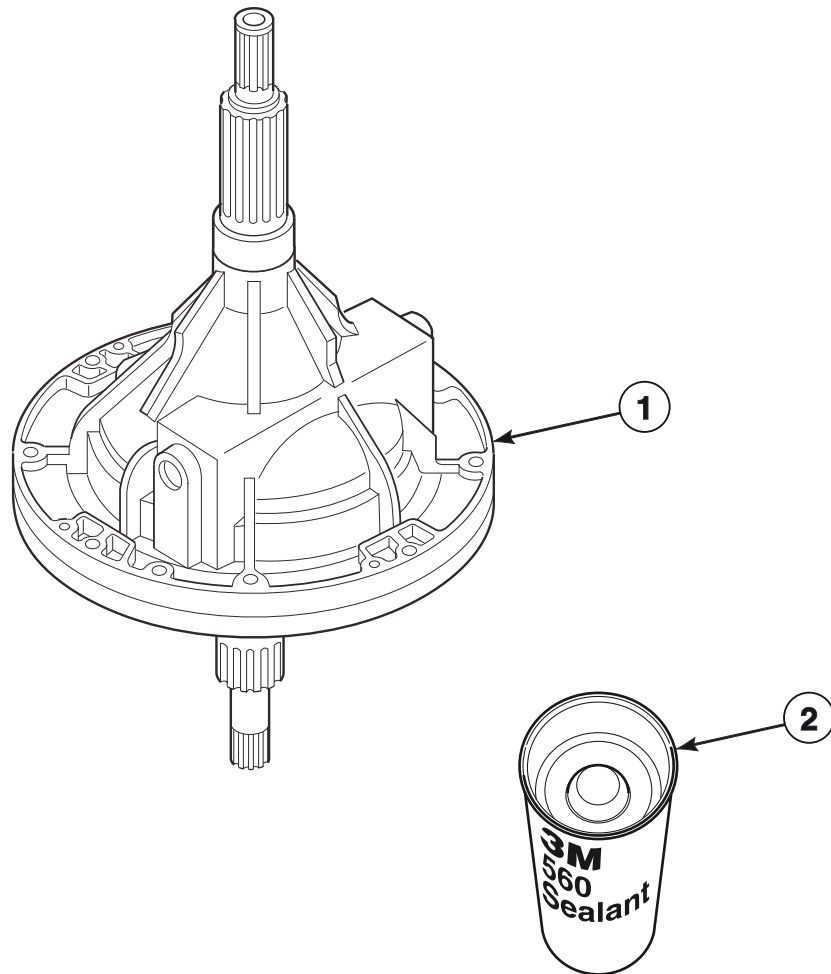


TLW1841P_203417

Weldment and Bearing Assembly, Brake and Pulley

REF	PART NO.	DESCRIPTION	COMMENTS
1	39253	Weldment and Bearing Assembly	
2	38505P	Brake Kit	
3	735P3	Brake Pad Kit	Includes 3 pads
	26594P	Silicone Grease	Apply small amount to each new brake pad
4	39739	Screw	
5	35535	Washer	Thin
6	27015	Washer	Thick
7	35535	Washer	For machines experiencing squeaking during agitation
	26594P	Silicone Grease	Apply small amount to washer
8	202795	Pulley	
9	26509	Washer	
10	27220	Screw	
11	38008	Helix	
12	28944RP	Lower Bearing	

Transmission Assembly

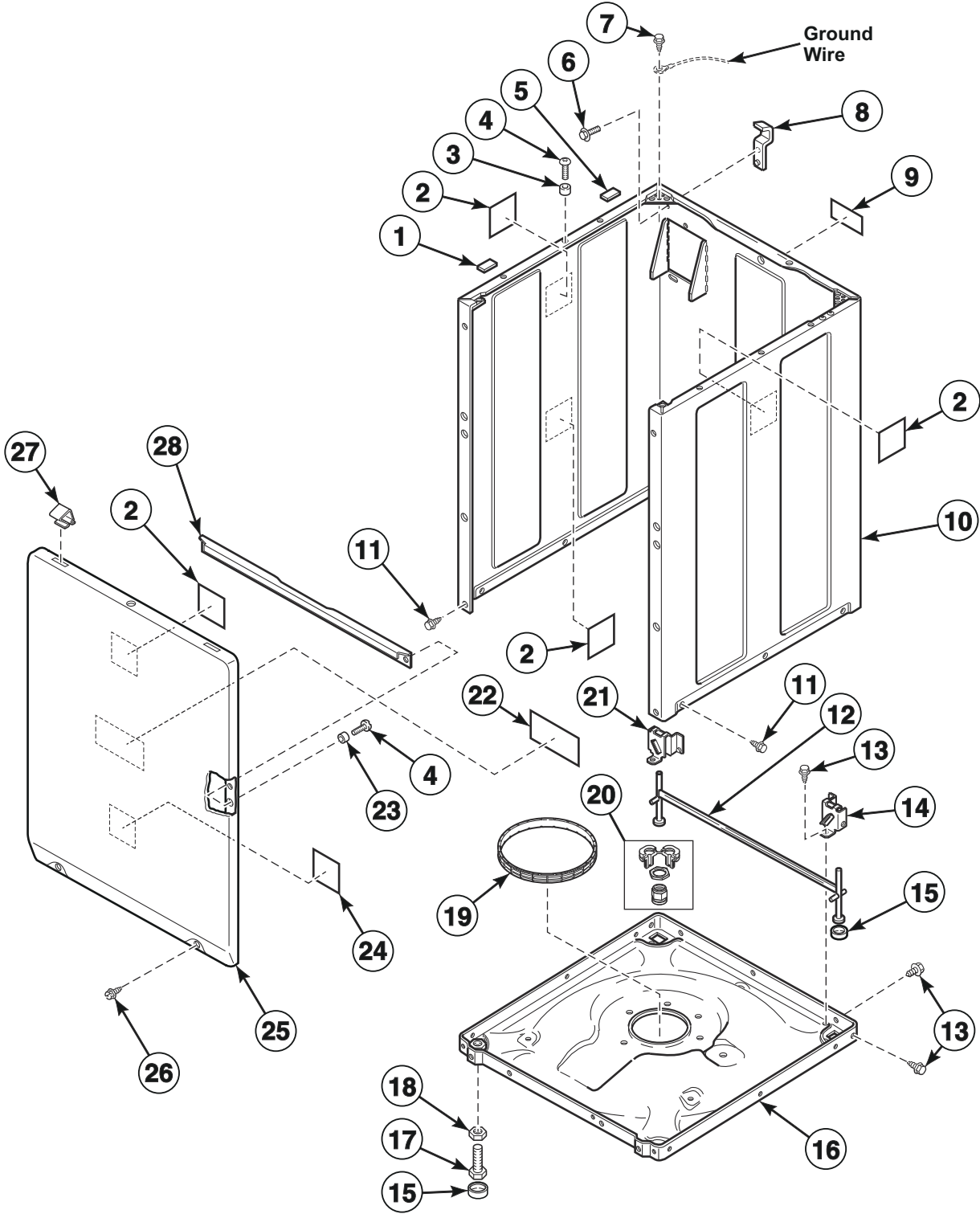


TLW1838P_203417

Transmission Assembly

REF	PART NO.	DESCRIPTION	COMMENTS
	27604P	Anti-Seize Compound	Apply to smooth area of both the upper and lower transmission tube that will be contacting the upper and lower bearings and apply to spline area of upper and lower transmission tube that will be contacting the washtub
1	203768	Transmission Assembly	Includes item 2 and Hub and Lip Seal Kit; Lip seal models only
2	200996P	Sealant	

Front Panel, Base Assembly and Cabinet Kit

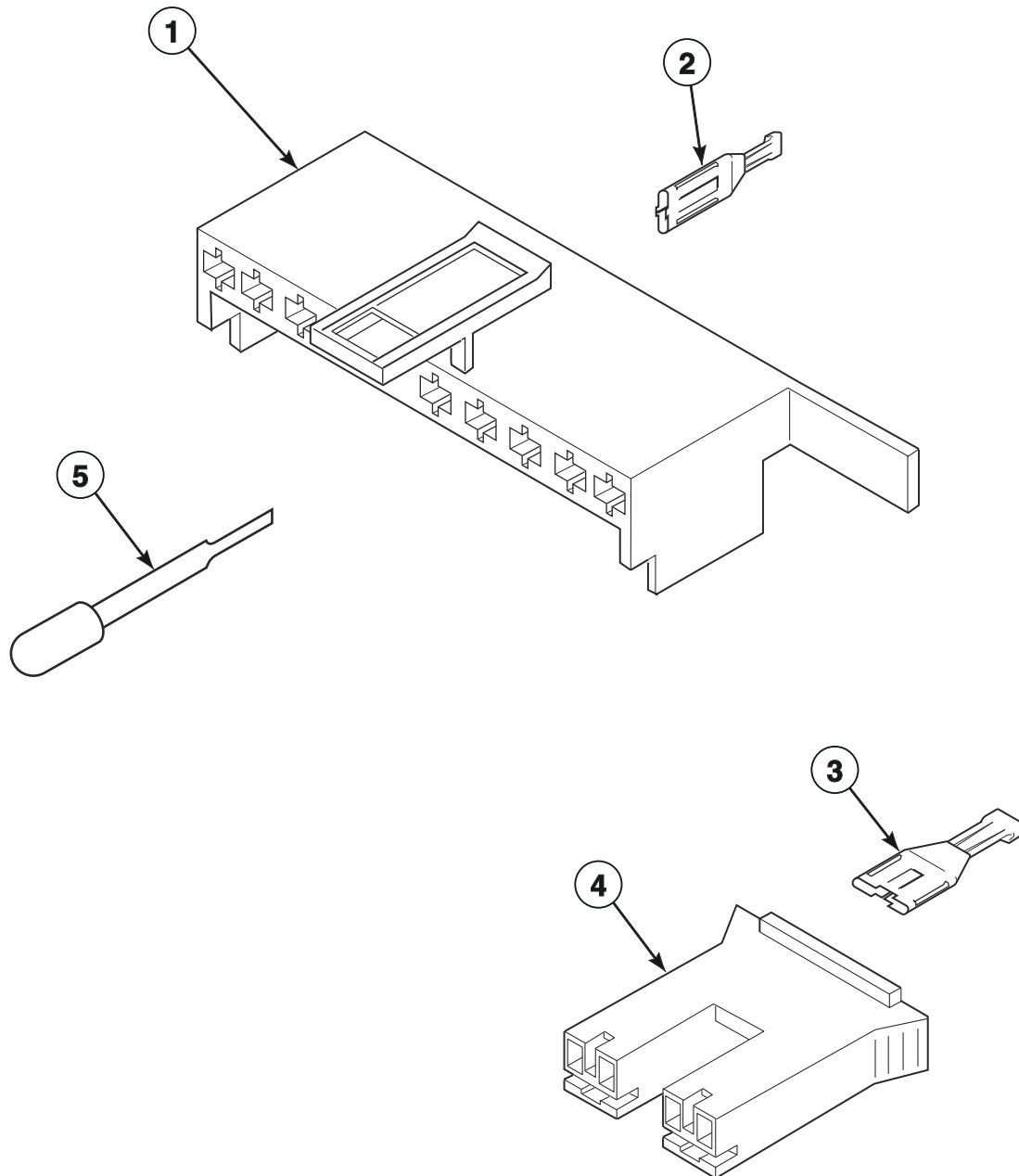


TLW1843P_203417

Front Panel, Base Assembly and Cabinet Kit

REF	PART NO.	DESCRIPTION	COMMENTS
	122P4P	Porcelain Touch-Up Paint	
1	56128	Bumper Pad	
2	39480	Foam Pad	
3	56079	Panel Locator	
4	39733	Screw	
5	36226	Bumper Pad	
6	51780	Screw	
7	501086	Screw	
8	27103	Hold-Down Lug Hinge	
9	803260	Warning Label	
10	38612WP	Service Cabinet Kit	
11	27196	Screw	
12	34443	Leg and Stabilizer Assembly	
13	35148	Screw	
14	36036	Bracket	Right
15	34318	Rubber Foot	
16	39788	Base Assembly	
17	34319	Leveling Leg	
18	21899	Nut	
19	37937	Friction Ring	
20	566P3	Adjustable Leg Extension Kit	
21	36037	Bracket	Left
22	36204	Front Panel Pad	
23	28102	Panel Locator	
24	203484	Foam Pad	
25	38335WP	Front Panel	
26	38272	Screw	
27	35865	Hold-Down Clip	
28	35097	Front Panel Brace	

Mixing Valve and Motor Connection Blocks, Terminals and Extractor Tool

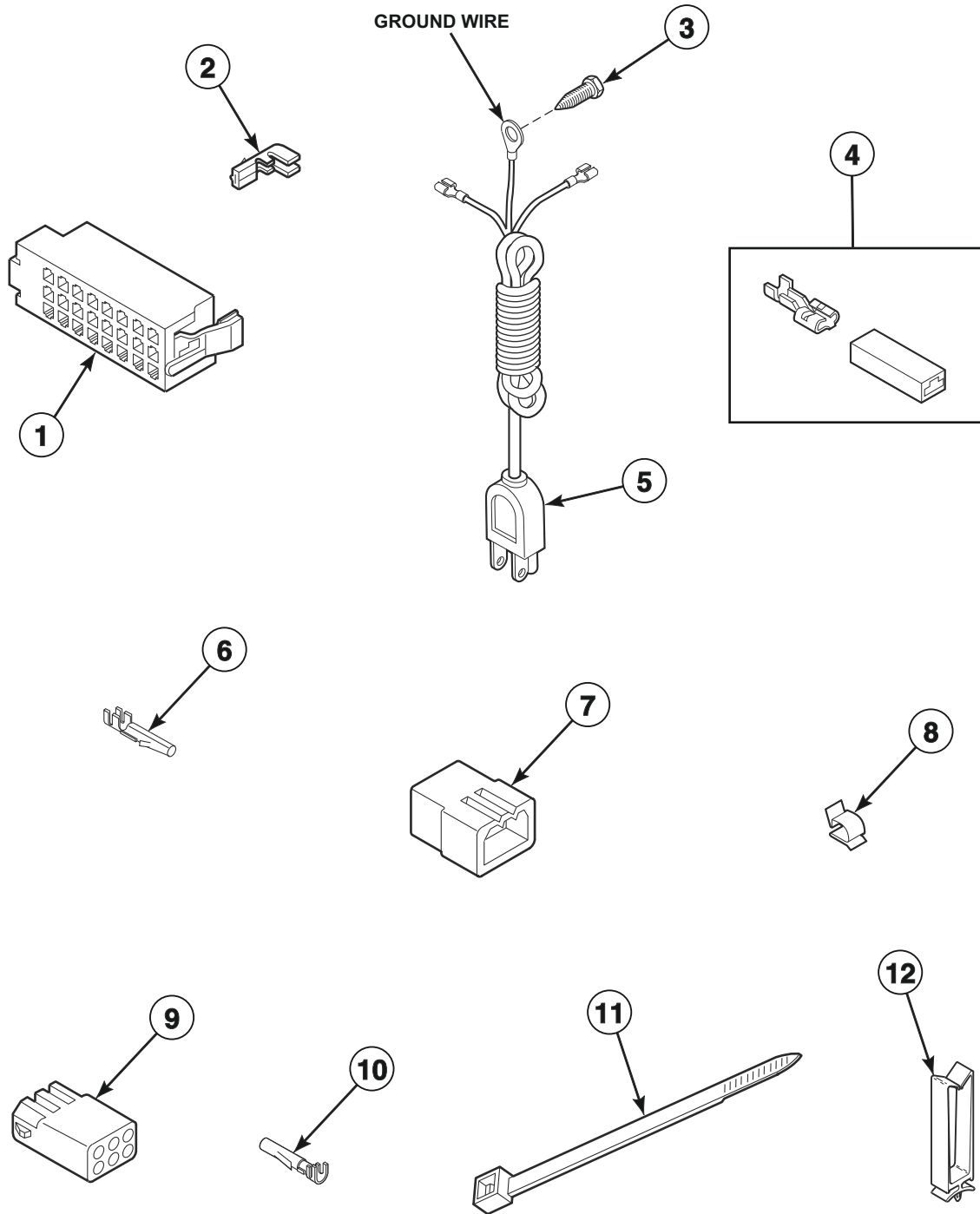


W134PZ3A_203417

Mixing Valve and Motor Connection Blocks, Terminals and Extractor Tool

REF	PART NO.	DESCRIPTION	COMMENTS
1	34677	10 Circuit Plug	Motor
2	00188	Female Terminal	For 1 or 2 wire application
3	00121	Female Spade Terminal	1/4 inch
4	34675	Mixing Valve Plug	Natural
	34676	Mixing Valve Plug	Red
5	283P4	Terminal Extractor Tool	

Lead-In Cord and Terminals

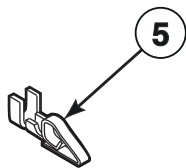
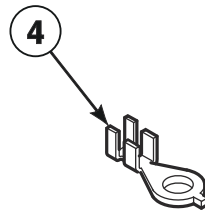
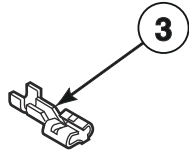
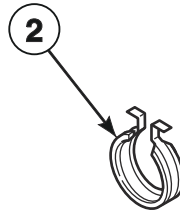
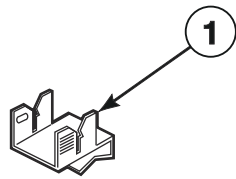


TLW1518P_203417

Lead-In Cord and Terminals

REF	PART NO.	DESCRIPTION	COMMENTS
1	32746	24 Position Housing	Right; Black
2	00188	Female Terminal	For 1 or 2 wire application
	00568SG	Terminal	
3	503688	Screw	
4	00359	Insulated Female Spade Terminal	
5	203120	Lead-In Cord	Models AWNE82SN303AW01 and AWNE92SN303AW01
	202777	Lead-In Cord	All other models
6	00116	Male Pin Terminal	
7	23033	9 Circuit Plug	
8	21036	Cable Clip	
9	26163	9 Circuit Receptacle	
10	00574SG	Female Pin Terminal	
11	55881	Harness Strap	
12	70296701	Wire Tie	

Terminals

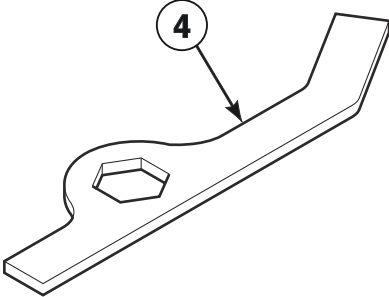
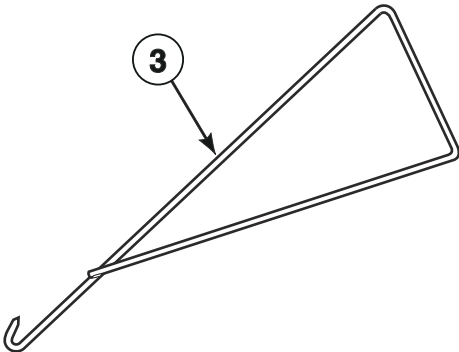
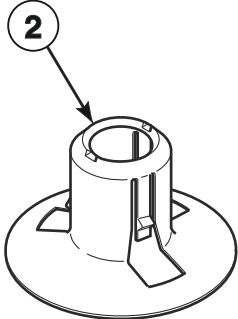
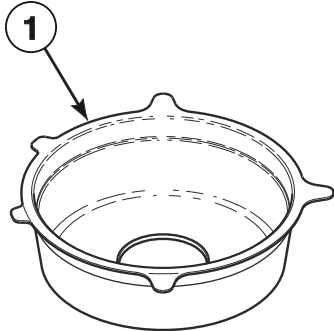


TLW1780P_203417

Terminals

REF	PART NO.	DESCRIPTION	COMMENTS
1	00161	Grounding Clip	
	00569SG	Terminal Grounding Clip	
2	504034	Wire Clip	
3	00223	Female Spade Terminal	Large spade
	00577	Terminal Tab	
4	00319	Ring Terminal	Small shank
5	00257	Pressure Switch Terminal	

Shipping Brace, Plug and Special Tools

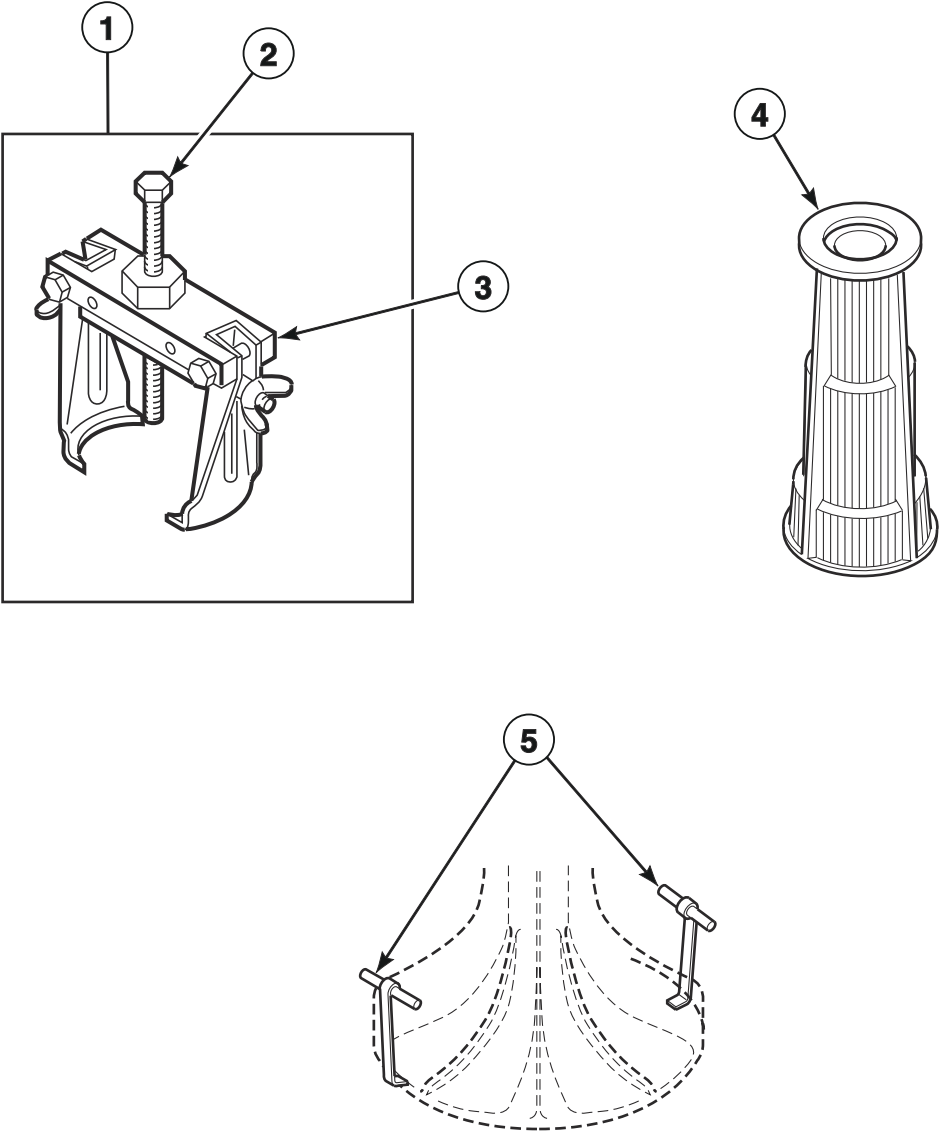


TLW1661P_203417

Shipping Brace, Plug and Special Tools

REF	PART NO.	DESCRIPTION	COMMENTS
	725P3	Tool Kit	Includes items 3, 4, drive bell seal tool, tub cover removal tool, agitator hook and torx bit
	202890	Foam Shipping Brace	Install before moving washer
1	200553	Shipping Brace	Install whenever moving washer; Remove before use
2	38149	Shipping Plug	Install before moving washer to prevent tub from damaging cabinet
3	321P4	Spring Hook Tool	For removal of module springs from outer tub
4	306P4	Hex Wrench Tool	For removal of locknut from washtub hub

Special Tools



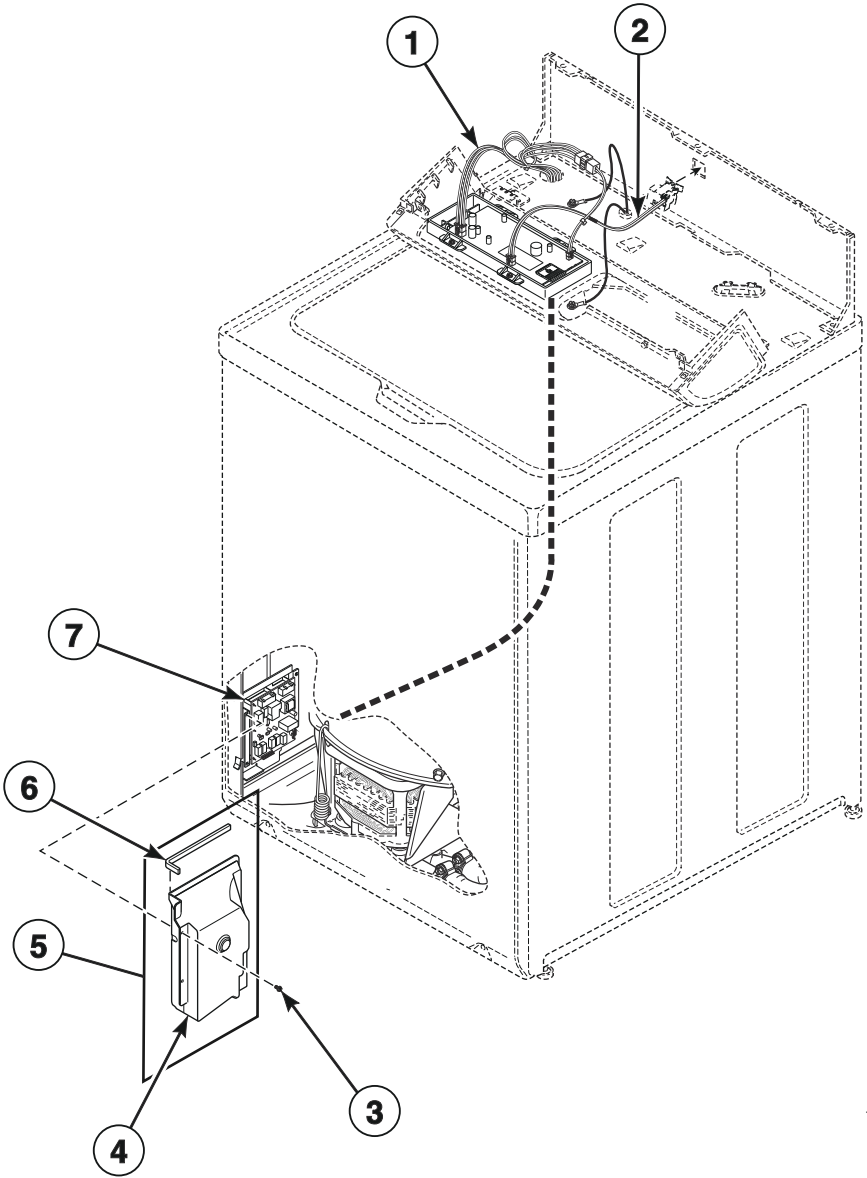
TLW1534P_203417

Special Tools

REF	PART NO.	DESCRIPTION	COMMENTS
	725P3	Tool Kit	Includes items 4, 5, spring hook, hex wrench, tub cover removal tool and Torx bit
1	294P4	Agitator Drive Bell Puller	For removal and installation of drive bell to transmission shaft
2	294P4B	Bolt	Use to update item 1
3	294P4A	Drive Bell Puller Arm	Use to update item 1
4	293P4	Drive Bell Seal Tool	For installation of 36425 Bell and Transmission Tube Seal
5	254P4P	Agitator Hook	Set of 2; Use to remove agitator from drive bell

Output Board, Wire Harnesses and Wires

Models AWNE82SN303AW01, AWNE82SP113TW01, AWNE92SN303AW01 and AWNE92SP113TW01



TLW1776P_203417

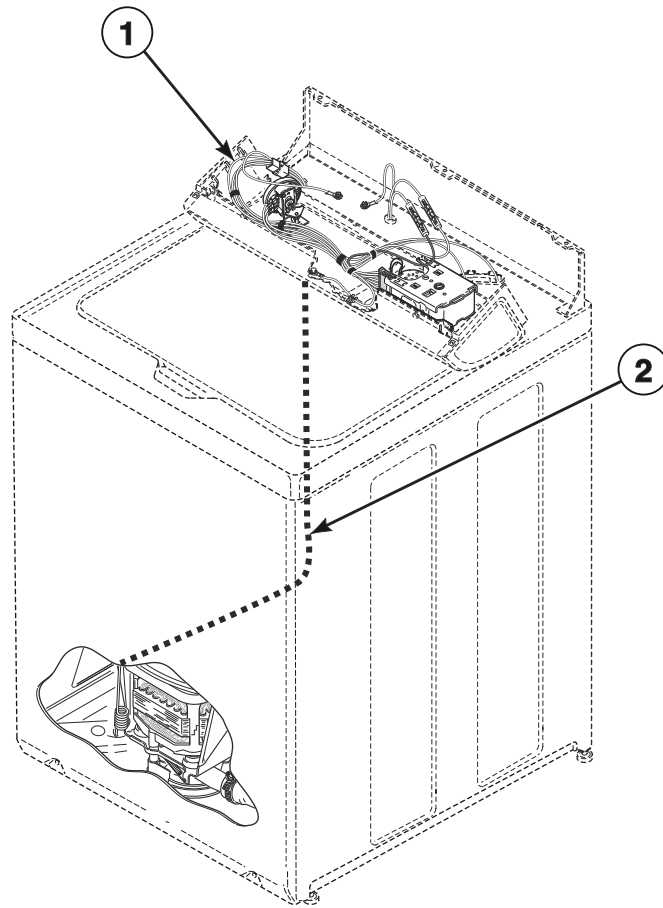
Output Board, Wire Harnesses and Wires

REF	PART NO.	DESCRIPTION	COMMENTS
	45001	18 Gauge Wire	Black; Order wire by foot and terminals as required
	45380	12 Gauge Wire	Orange; Order wire by foot and terminals as required
1	202685	Control Harness	Models AWNE82SN303AW01 and AWNE92SN303AW01
	202684	Control Harness	Models AWNE82SP113TW01 and AWNE92SP113TW01
2	804432	Pressure Sensor Harness	
3	804667	Screw	
4	202939	Output Control Shield	
5	202965	Shield Assembly	Includes items 5 and 7
6	202964	Output Board Cover Gasket	
7	202508P	Output Board Control Assembly	

NOTE: Individual wires are not available separately. Order complete wire harness, or order wire by the foot. When applying terminals to wires, it is recommended that the terminals be soldered to the wires.

Wire Harnesses and Wires

Models AWN432SP113TW01 and AWN432SP113TW04



TLW1777P_203417

Wire Harnesses and Wires

REF	PART NO.	DESCRIPTION	COMMENTS
	45001	18 Gauge Wire	Black; Order wire by foot and terminals as required
	45380	12 Gauge Wire	Orange; Order wire by foot and terminals as required
1	203035	Hood Timer Harness	Model AWN432SP113TW01
	203428	Hood Timer Harness	Model AWN432SP113TW04
2	38661P	Wire Harness Assembly	

NOTE: Individual wires are not available separately. Order complete wire harness, or order wire by the foot. When applying terminals to wires, it is recommended that the terminals be soldered to the wires.

Parts Index

A

Adjustable Leg Extension Kit	
566P3	33
Agitate and Spin Belt	
200923	19
38174	17
Agitator Drive Bell Puller	
294P4	43
Agitator Hook	
254P4P	43
Anti-Seize Compound	
27604P	31

B

Balance Ring Assembly	
39837	21
Barbed Tee	
203464	11
Base Assembly	
39788	33
Bell and Transmission Tube Seal	
36425	21
Bell Plug	
36511	21
Belt and Pump Kit	
RB150003	17
Bleach Dispenser	
38382	11
Bolt	
294P4B	43
Bracket	
36036	33
36037	33
Brake Kit	
38505P	29
Brake Pad Kit	
735P3	29
Bumper	
21685	11
Bumper Pad	
36226	33
56128	33
Bushing	
33446	11

C

Cable Clip	
21036	23, 37
Capacitor	
203140	19
37377	17
Capacitor Clamp	
37535	17, 19

Control Assembly	
202769P	7
202770P	7
202771P	7
202772P	7
Control Harness	
202684	45
202685	45
Control Knob Assembly	
803119P	5
Control Support Panel	
202942	7
38565	5
Counterweight Assembly	
38769	23

D

Disconnect Power Warning Label	
505281	11
Drain Extension Kit	
451P3	25, 27
Drain Hose	
39864	27
39893	25
Drain Hose Sleeve	
33615	25, 27
Drain Pump	
39255P	27
Drive Bell and Seal Kit	
39508P	21
Drive Bell Puller Arm	
294P4A	43
Drive Bell Seal Tool	
293P4	43

E

EMI Filter Assembly	
203111	7
End Panel	
504008WP	5, 7
504009WP	5, 7

F

Fabric Softener Dispenser Assembly	
36542	21
Female Pin Terminal	
00574SG	37
Female Spade Terminal	
00121	35
00223	39
Female Terminal	
00188	35, 37
Fill Hose	
202800	15
202931	15

N/A items do not appear in index.

20617	15
20618	15
Flex Vane Agitator 36507	21
Foam Pad 203484	33
39480	33
Foam Shipping Brace 202890	41
Friction Ring 37937	33
Front Panel 38335WP	33
Front Panel Brace 35097	33
Front Panel Pad 36204	33

G

Graphic Panel 202797P	7
203606W	5
Grommet 29175	23
80262	11, 13
Grounding Clip 00161	5, 39

H

Harness Strap 55881	37
Helix 38008	29
Hex Wrench Tool 306P4	41
Hinge Stop Clip 36519	11
Hold-Down Clip 35358	5, 7, 11
35865	33
Hold-Down Lug Hinge 27103	33
Hood Back Panel 202549	11
203110	11
37782	11
Hood Wire Harness Assembly 203035	47
203428	47
Hose Clamp F200204	25, 27
20391	27
36801	15
39282	23
800803	15
Hose Clip 36985	23
Hose Stand 38732	25, 27

Housing, 24 Position 32746	37
Hub and Lip Seal Kit 766P3A	21, 23

I

Idler Lever 38011	17, 19
Idler Lever and Belt Kit 202972	19
Idler Lever Kit 959P3	17
Idler Lever Spring 201189	19
202032	17
Idler Pulley 38225P	17, 19
Idler Shaft 210186	17, 19
Inlet Cover 202894	11
Inlet Deflector 202900	11
Insulated Female Spade Terminal 00359	37
Isolator Post 38325	17, 19

J

Junction Box 203068	13
------------------------------	----

K

Knob Assembly 803118P	5
--------------------------------	---

L

Lead-In Cord 202777	37
203120	37
Leg and Stabilizer Assembly 34443	33
Leg Plate 27926	23
Leg Spring 37575	23
Leveling Leg 34319	33
Lid 37395WP	11
Lid Hinge 36437	11
36513	11
Lid Switch Assembly 37631	9

N/A items do not appear in index.

Lid Switch Drip Shield 203136	9
Lid Warning Label 203045	11
Line Filter 804864	13
Lint Filter 39371	21
Lower Bearing 28944RP	29

M

Male Pin Terminal 00116	37
Mixing Valve 202395P	15
202396P	15
Mixing Valve Mounting Bracket 39407	15
Mixing Valve Plug 34675	35
34676	35
Mixing Valve Screen 24122	15
Mixing Valve Shield 202899	15
Motor Assembly 202544P	19
38034	17
Motor Drip Shield 203053	17, 19
Motor Mount 38395	17, 19
38396	17, 19
Motor Mount Bracket 200941	17, 19
Motor Shield 34754	17, 19

N

Nut M400981	9
21899	33
28803	17, 19
29220	21
29787	13
35423	17, 19
52566	17, 19

O

Outer Tub Assembly 200511P	23
Output Board Control Assembly 202508P	45
Output Board Cover Gasket 202964	45
Output Control Shield 202939	45

Overlay 202628	7
202751	7

P

Panel Locator 28102	33
56079	33
Plug, 10 Circuit 34677	35
Plug, 9 Circuit 23033	37
Porcelain Touch-Up Paint 122P4P	33
Pressure Bulb 30907	23
Pressure Sensor 202470	11
Pressure Sensor Harness 804432	45
Pressure Switch B12548401	11
202937	5
Pressure Switch Terminal 00257	39
Pulley 202795	29
Pump 201566P	17
Pump Bracket 38789	27
Pump Isolator 38095	27
Pump Shield 38768	27

R

Receptacle, 9 Circuit 26163	37
Retainer Clip 36014	25, 27
Retaining Ring 23748	17, 19
Ring Terminal 00319	39
Rocker Switch 38424W	5
Rubber Foot 34318	33

S

Screw M402574	9
23962	5, 7, 9, 11
27196	33
27202	21
27220	29
27229	17, 19

N/A items do not appear in index.

31645	17, 19
33562	11, 15
34337	11
35148	33
35369	17, 19, 23
36639	17, 19
38096	27
38272	33
39397	15
39432	21
39566	23
39733	33
39739	29
431287	11
501086	5, 7, 33
503661	27
503688	37
51780	33
52909	17, 19
800258	13
804667	7, 45
Sealant	
200996P	21, 23, 31
Service Cabinet Kit	
38612WP	33
Shield Assembly	
202965	45
Shipping Brace	
200553	41
Shipping Plug	
38149	41
Silicone Grease	
26594P	29
Siphon Break Kit	
562P3	25, 27
Spline Insert	
29728	21
Spring Clip	
210202	17
Spring Hook Tool	
321P4	41
Standpipe Adapter	
36878	25
Standpipe Strap	
33489	25, 27
Strain Relief	
32219	25, 27
38384	11
Switch	
33445	9

T

Temperature Switch	
35115	5
Terminal	
00568SG	37
Terminal Extractor Tool	
283P4	35
Terminal Grounding Clip	
00569SG	39
Terminal Tab	
00577	39

Timer	
202705P	5
203387P	5
Timer Knob Assembly	
202133	5
Timer Skirt Assembly	
803116	5
Tool Kit	
725P3	41, 43
Top	
37992WP	11
Top Cover	
39905W	5, 7
Top Shield	
39744	11
Transmission Assembly	
203768	31
Tub Cover Assembly	
202888	23
Tub Cover Gasket	
38359	23
Tube	
202333	19
Tubing	
202700	23
203478	23
203511	11
Tub-to-Pump Hose	
38351	25
38759	27

V

Valve to Inlet Hose	
202884	15

W

Warning Label	
500049	23
803260	33
Washer	
20290	15
26509	29
27015	29
35535	29
37772	17, 19
39249	23
504082	17, 19
52549	17, 19
802254	15
803615	15
81392	17, 19
Washtub Gasket	
39122	21
Washtub Kit	
719P3	21
Water Hose	
F200116	15
Weldment and Bearing Assembly	
39253	29

N/A items do not appear in index.

Wire Clip	
504034	39
Wire Harness Assembly	
38661	47
Wire Tie	
70296701	37
Wire, 12 Gauge	
45380	45, 47
Wire, 18 Gauge	
45001	45, 47
