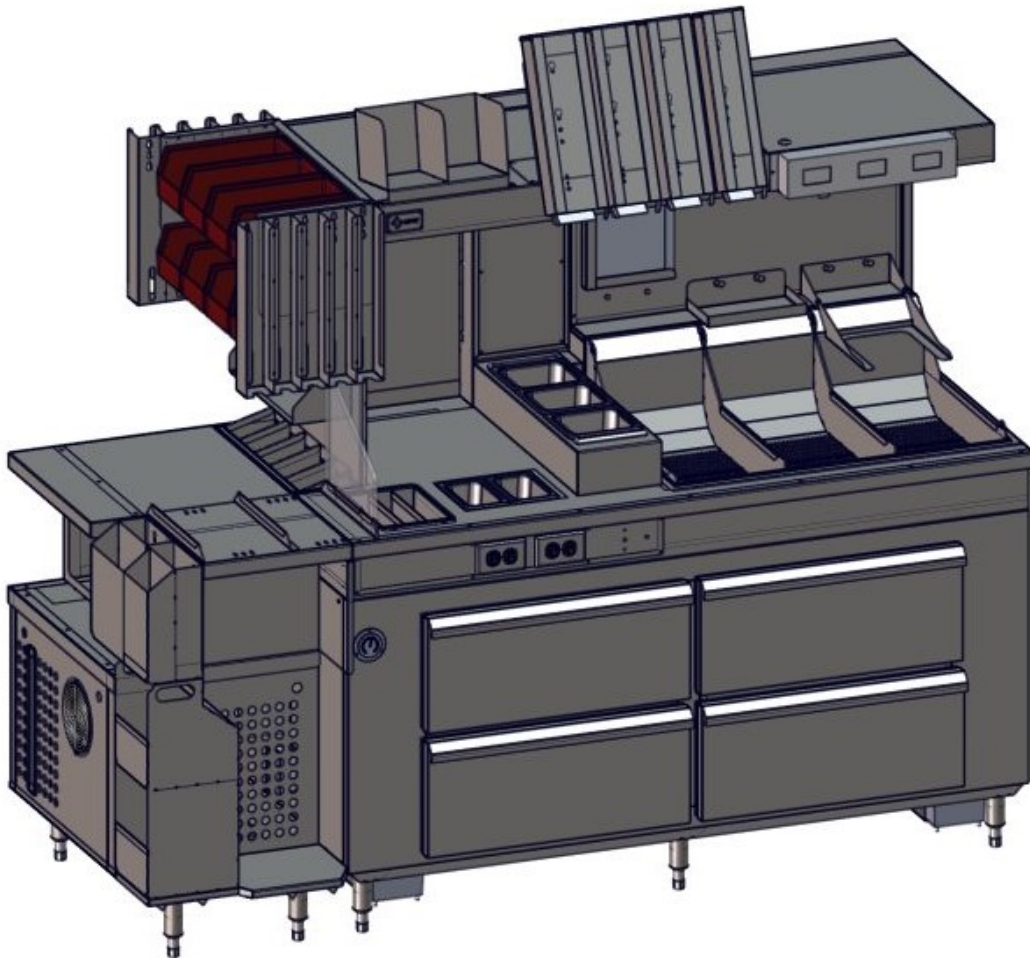




Hot & Crisp Fry Station

MG3 Model E0703-FD018100



Replacement Parts Catalog

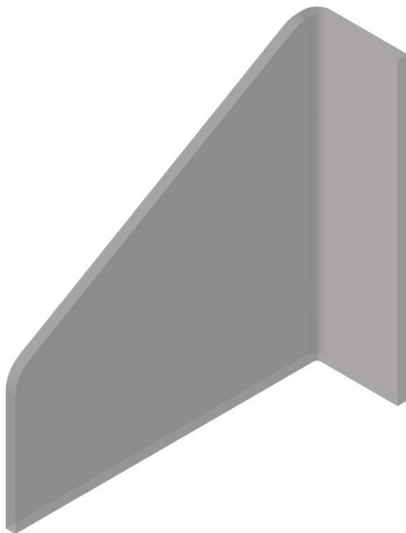
FD018129



PRODUCT DETAILS

Function

- **Plexiglas Shield For Fry Station**



FD018129

Dimensions: 11" H x 3.31" W x 11.43" D

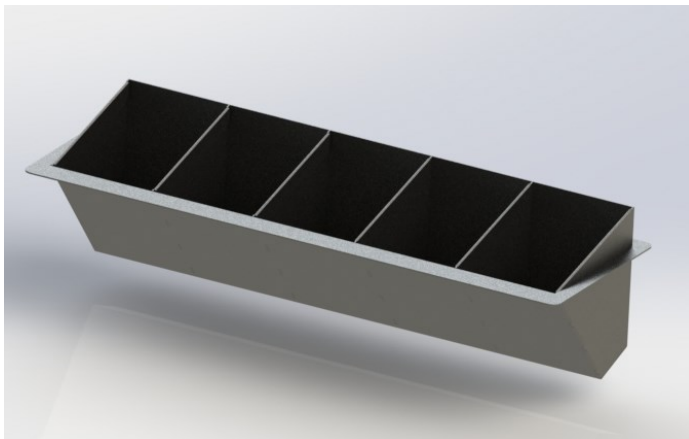
Weight: 1.77

FD018129 3/8" Plexiglas Shield

FD018162



PRODUCT DETAILS



Function

- **Fry Station Prep Shelf Condiment Holder**

Features

- **5 compartments for separating condiments**
- **Drop in mounting for easy removal**

FD018162

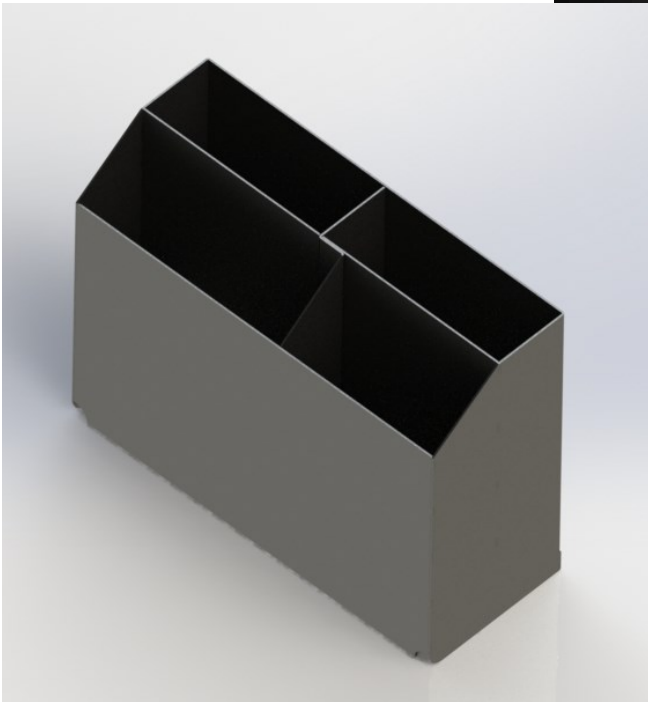
Dimensions: 5.02" H x 18.37" W x 6.07" D

Weight: 4lbs

***FD018162 (5) Compartment
Condiment Holder***



PRODUCT DETAILS



Function

- **4 Compartment Bag Holder**

Features

- **4 Compartments for separating bag types**
- **Easy to use keyhole mounting system**

FD018163

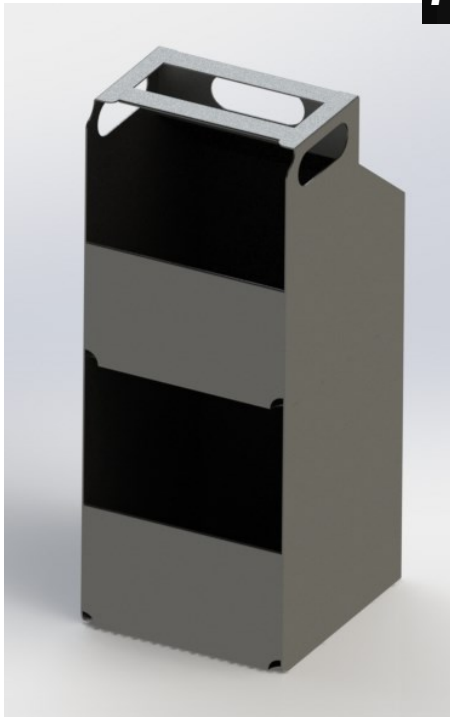
Dimensions: 10" H x 13" W x 5" D

Weight: 10lbs

FD018163 (4) Compartment Bag Holder



PRODUCT DETAILS



Function

- **2 Compartment Kids Toy Holder**

Features

- **2 compartments for separating boy and girl toys**
- **Easy to use keyhole mounting system**

FD018164

Dimensions: 19.18" H x 7.53" W x 8.25" D

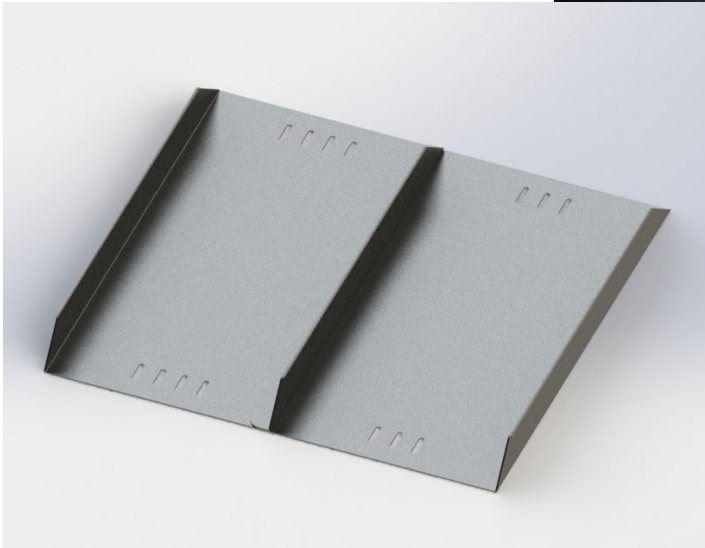
Weight: 11lbs

FD018164 Kids Toy Holder

FD018168



PRODUCT DETAILS



Function

- **2 Row Sandwich Slide**

Features

- **2 Rows for order separation**
- **Easy slide in mounting system**

FD018168

Dimensions: 1.3" H x 15.93" W x 13.25" D

Weight: 5lbs

FD018168 2 Row Sandwich Slide

FD018165



PRODUCT DETAILS



Function

- **Napkin Dispenser**

Features

- **Rotating arms keep napkins in place**
- **Easy to use keyhole mounting system**

FD018165

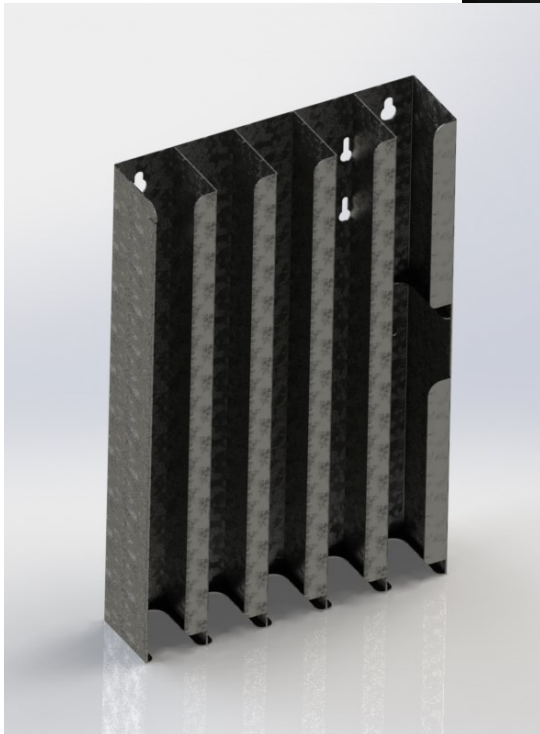
Dimensions: 5.42" H x 14.59" W x 5.29" D

Weight: 3lbs

FD018165 Napkin Holder



PRODUCT DETAILS



FD018161-VALU6

Dimensions: 15.25" H x 9.53" W x 2.5" D

Weight: 6lbs

Function

- **Chicken Nugget Sauce Dispenser**

Features

- **5 rows for separating sauces**
- **Fifth row is split to hold two low demand sauces**
- **Easy to use keyhole mounting system**

FD018161-VALU6 Nugget Sauce Dispenser

FD018167



PRODUCT DETAILS



Function

- **Bracket For Akro Bins**

Features

- **Holds 8 akro bins**

FD018167

Dimensions: 9.06" H x 22.54" W x 10.75" D

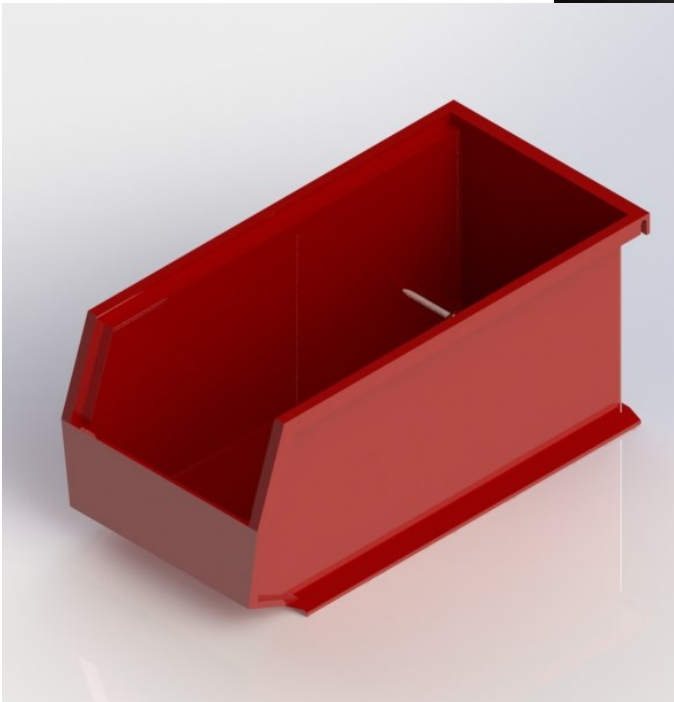
Weight: 9lbs

FD018167 Akro Bin Bracket

7000799



PRODUCT DETAILS



Function

- Plastic Storage Bin

7000799

Dimensions: 5.18" H x 5.56" W x 11.18" D

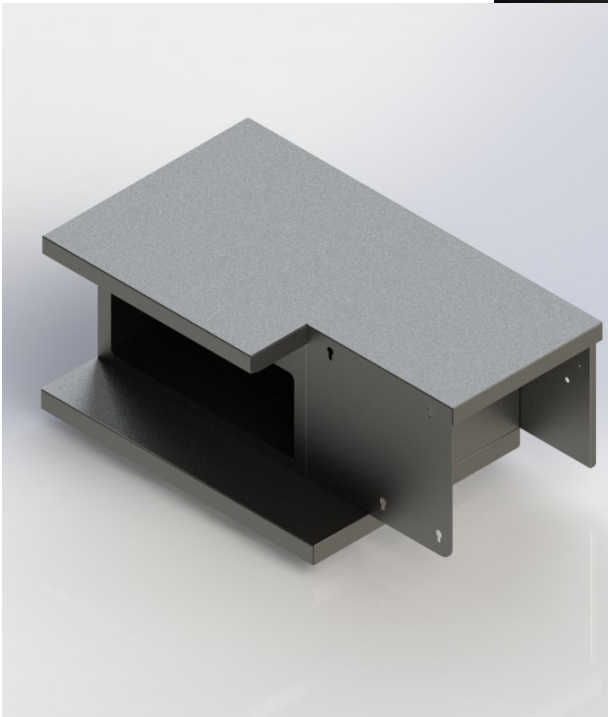
Weight: .61lbs

7000799 Akro Bin

FD018160



PRODUCT DETAILS



Function

- **Counter Space For Order Assembly**

Features

- **Underhand storage shelf**
- **Keyhole studs for easy add on mounting**

FD018160

Dimensions: 14.49" H x 32" W x 18.65" D

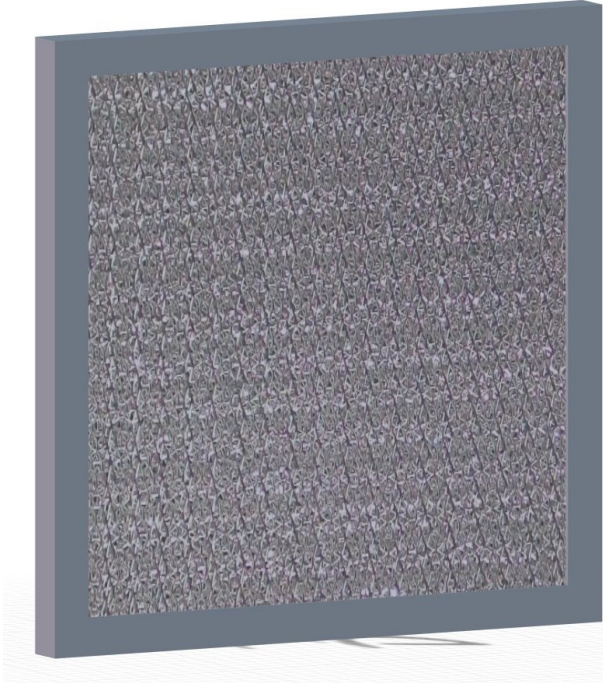
Weight: 25lbs

FD018160 Prep Table

7000732-13



PRODUCT DETAILS



7000732-13

Dimensions: 13" H x 13" W x .5" D

Weight: .62lbs

Function

- **13"x13" Air Filter**

Features

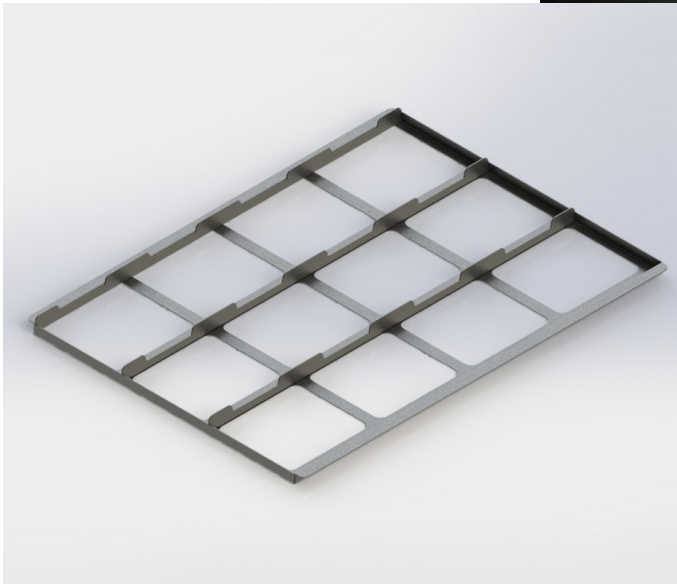
- **Wire mesh design for easy cleaning**

7000732-13 13x13 Air Filter

FD018142



PRODUCT DETAILS



Function

- **Insert For Fry Station Portioning Pan**

Features

- **Holds (12) 1/6th size pans for fry portioning**
- **Easy removal for cleaning**

FD018142

Dimensions: 1.25" H x 21.25" W x 28" D

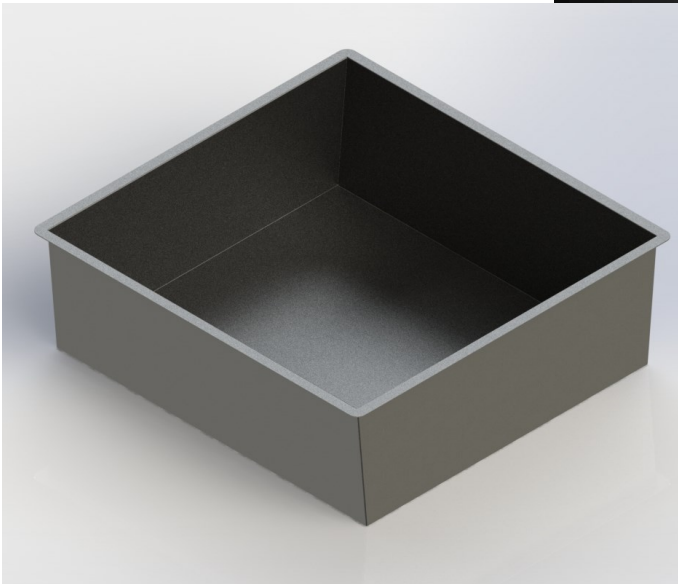
Weight: 6lbs

FD018142 Pan Insert

FD018144



PRODUCT DETAILS



Function

- **Bottom Drawer Bulk Storage Pan**

Features

- **Convenient bulk fry storage**

FD018144

Dimensions: 6.875" H x 20.75" W x 20.06" D

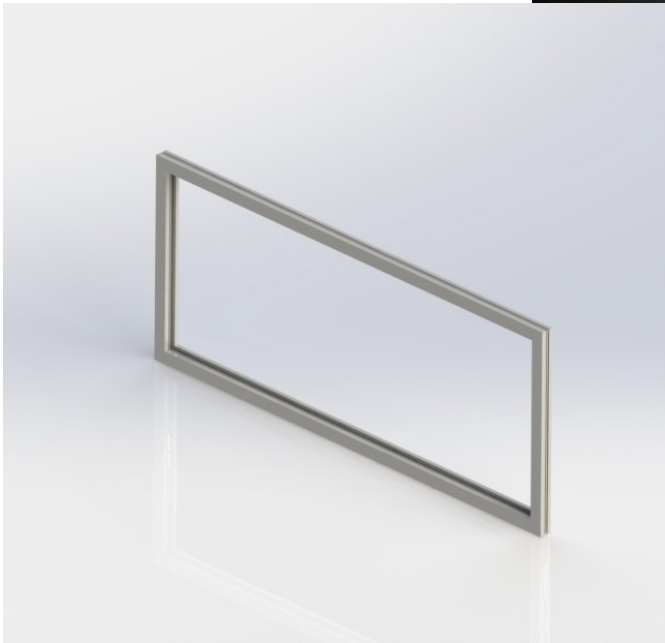
Weight: 12lbs

FD018144 Bulk Storage Pan

7000272-14



PRODUCT DETAILS



Function

- **Drawer Gasket**

Features

- **Magnetic**

7000272-14

Dimensions: 10.18" H x 23.75" W x .5" D

Weight: 1lb

7000272-14 Drawer Gasket

FD018143



PRODUCT DETAILS



Function

- **Top Drawer Bulk Storage Pan**

Features

- **Convenient bulk fry storage**

FD018143

Dimensions: 6.875" H x 20.75" W x 27.81" D

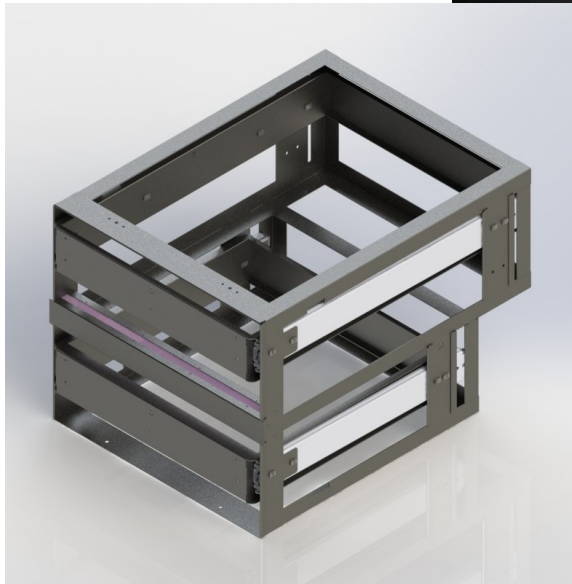
Weight: 15lbs

FD018143 Bulk Storage Pan

FD018141



PRODUCT DETAILS



Function

- **Drawer Insert**

Features

- **(2) drawers for fry storage**
- **Large top drawer for portioning pans**
- **Heavy duty drawer slides**

FD018141

Dimensions: 19.62" H x 21.81" W x 29.25" D

Weight: 68lbs

***FD018141 Drawer Assembly
Insert***

7000486-03320022



PRODUCT DETAILS



Function

- **22" Heavy Duty Drawer Slide**

Features

- **500lb capacity**

7000486-03320022

Dimensions: 3.16" H x .75" W x 22.18" D

Weight: 6lbs

**7000486-03320022 Heavy Duty
Drawer Slide**

7000486-03320028



PRODUCT DETAILS



Function

- 28" Heavy Duty Drawer Slide

Features

- 500lb capacity

7000486-03320028

Dimensions: 3.18" H x .75" W x 28.18" D

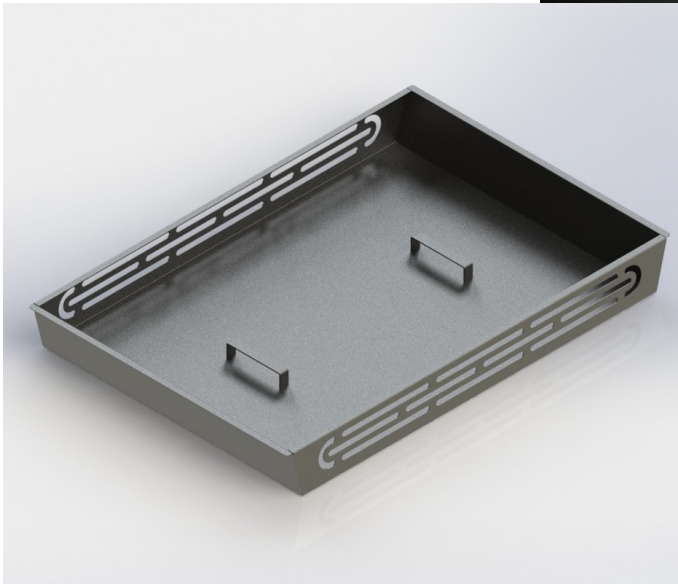
Weight: 7lbs

**7000486-03320028 Heavy Duty
Drawer Slide**

FD018146



PRODUCT DETAILS



Function

- Fry Portioning Pan

Features

- Holds (12) 1/6th size pans
- Handles for easy removal and cleaning

FD018146

Dimensions: 3.12" H x 19.5" W x 28.56" D

Weight: 11lbs

FD018146 Fry Portioning Pan



PRODUCT DETAILS



Function

- **Front For Drawer Assembly**

Features

- **Insulated Drawer Front**
- **Magnetic Gasket**

FD018146

Dimensions: 10.75" H x 24" W x 1.875" D

Weight: 10lbs

FD018141-DF Drawer Front

7000796



PRODUCT DETAILS



Function

- Portioning Pan

7000796

Dimensions: 6" H x 6.87" W x 6.56" D

Weight: .94lbs

7000796 1/6th Size Pan

7000797



PRODUCT DETAILS



Function

- Portioning Pan

7000797

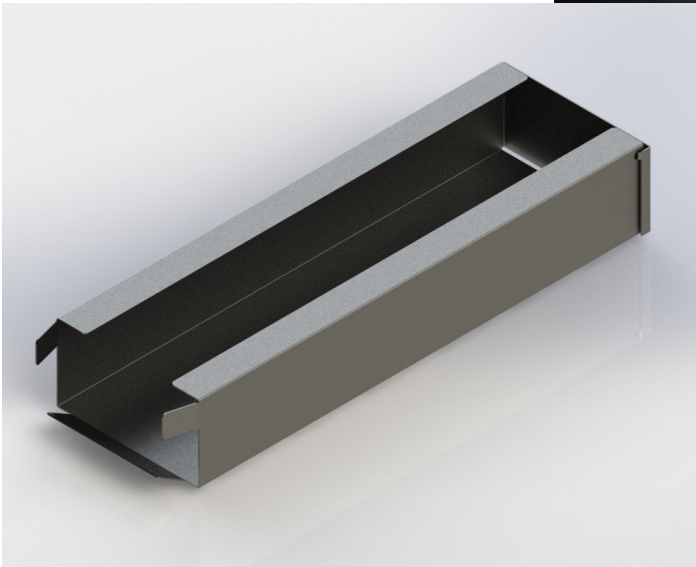
Dimensions: 4" H x 4.31" W x 6.87" D

Weight: .546lbs

7000797 1/9th Size Pan



PRODUCT DETAILS



Function

- Holds Large Size Fry Cartons

Features

- Easy to use keyhole style mounting system
- Easy load swing open top

FD018126-L

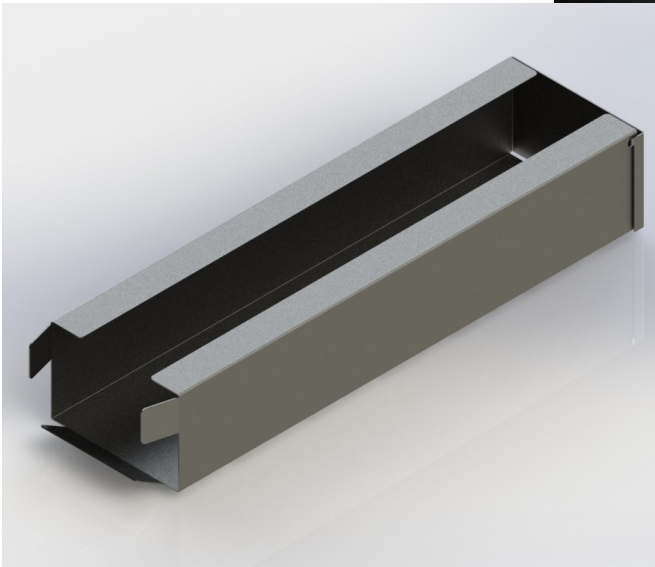
Dimensions: 16" H x 4.93" W x 2.5" D

Weight: 1.7lbs

FD018126-L Fry Carton Dispenser



PRODUCT DETAILS



Function

- Holds Medium Size Fry Cartons

Features

- Easy to use keyhole style mounting system
- Easy load swing open top

FD018126-M

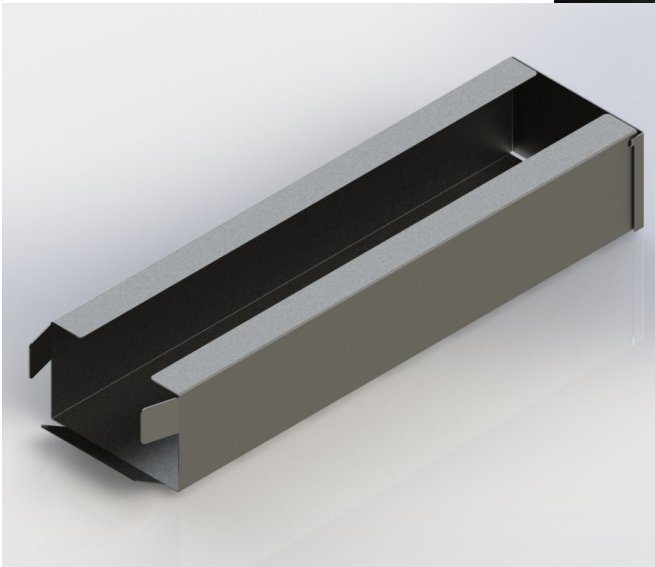
Dimensions: 16" H x 4.18" W x 2.75" D

Weight: 1.7lbs

FD018126-M Fry Carton Dispenser



PRODUCT DETAILS



Function

- Holds Small Size Fry Cartons

Features

- Easy to use keyhole style mounting system
- Easy load swing open top

FD018126-S

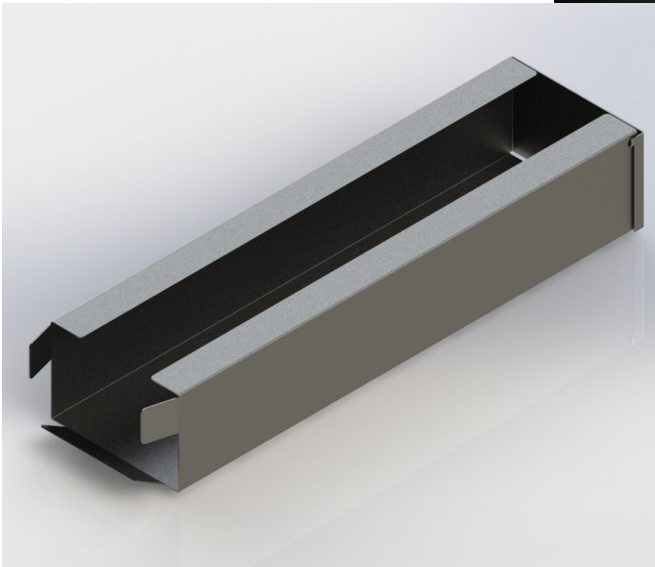
Dimensions: 16" H x 4.18" W x 2.75" D

Weight: 1.7lbs

FD018126-S Fry Carton Dispenser



PRODUCT DETAILS



Function

- Holds Value Size Fry Cartons

Features

- Easy to use keyhole style mounting system
- Easy load swing open top

FD018126-V

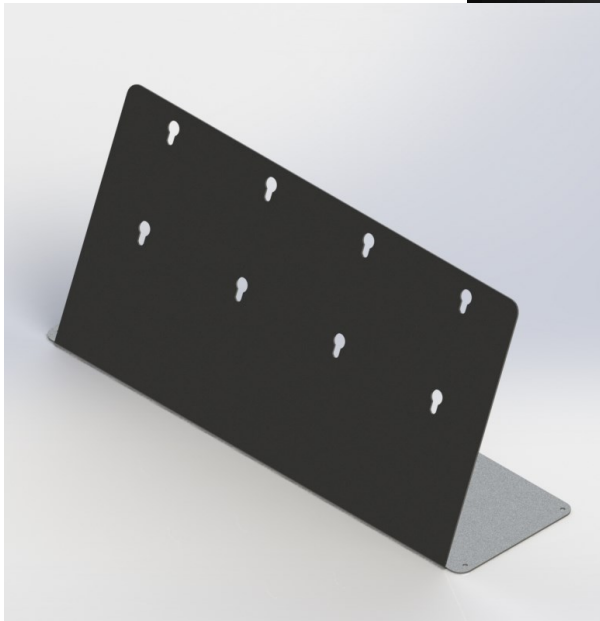
Dimensions: 16" H x 4.18" W x 2.75" D

Weight: 1.7lbs

FD018126-V Fry Carton Dispenser



PRODUCT DETAILS



Function

- **Mounting Bracket For Fry Carton Dispensers**

Features

- **Easy to use keyhole style mounting system**
- **Fits large, medium, small, and value dispensers**

FD018125

Dimensions: 9.62" H x 21.5" W x 6.12" D

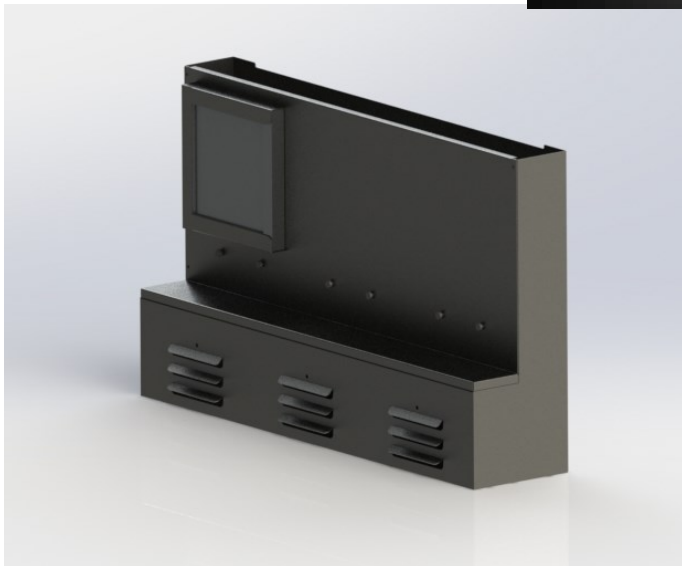
Weight: 7lbs

FD018125 Fry Carton Bracket

FD018123



PRODUCT DETAILS



Function

- **Holding Box For Fry Lane Heater Inserts**

Features

- **Easy to remove filter**
- **Heats all three fry lanes**

FD018123

Dimensions: 18.31" H x 30.06" W x 6.81" D

Weight: 22lbs

FD018123 Fry Lane Heater Box

FD018131



PRODUCT DETAILS



Function

- Fry Station Double Salt Shelf

Features

- Holds two salt shakers
- Easy to use keyhole mounting style

FD018131

Dimensions: 2.5" H x 9" W x 5" D

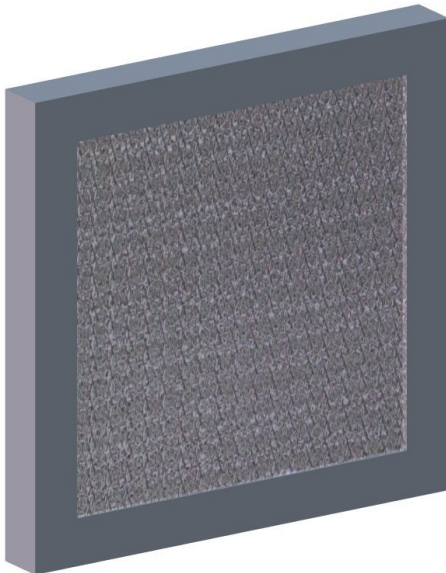
Weight: 1.4lbs

FD018131 Double Salt Shelf

7000732-8



PRODUCT DETAILS



Function

- **8"x8" Air Filter**

Features

- **Wire mesh design for easy cleaning**

7000732-8

Dimensions: 8" H x 8" W x .5" D

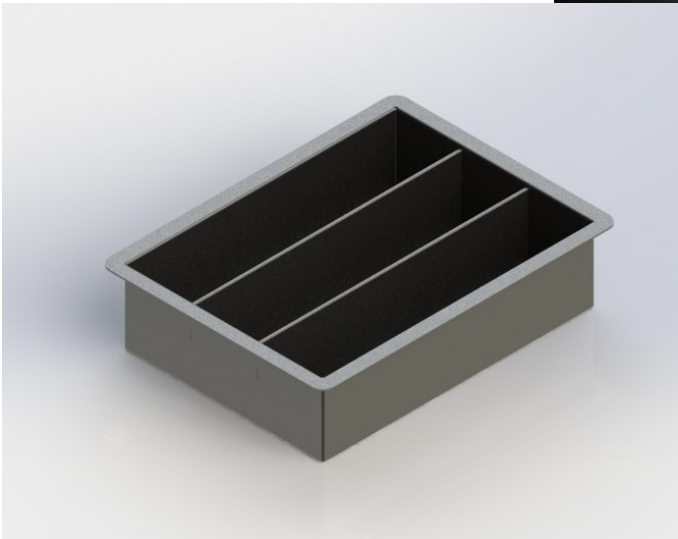
Weight: .546lbs

7000732-8 8x8 Air Filter

FD018128



PRODUCT DETAILS



Function

- Heated Fry Staging Ribbon

Features

- Heated fry holding
- 3 rows hold several ready orders of any size

FD018128

Dimensions: 2.31" H x 6.93" W x 9.18" D

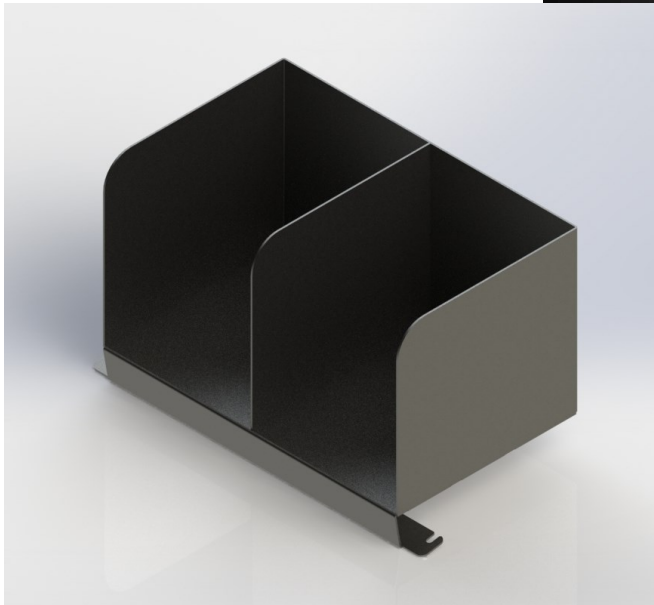
Weight: 2.3lbs

FD018128 3 Row Fry Staging Ribbon

FD018127



PRODUCT DETAILS



Function

- **Chili Cheese Fry Tray And Lid Holder**

Features

- **Holds both trays and lids for chili cheese fries**

FD018127

Dimensions: 7.18" H x 12.37" W x 6.75" D

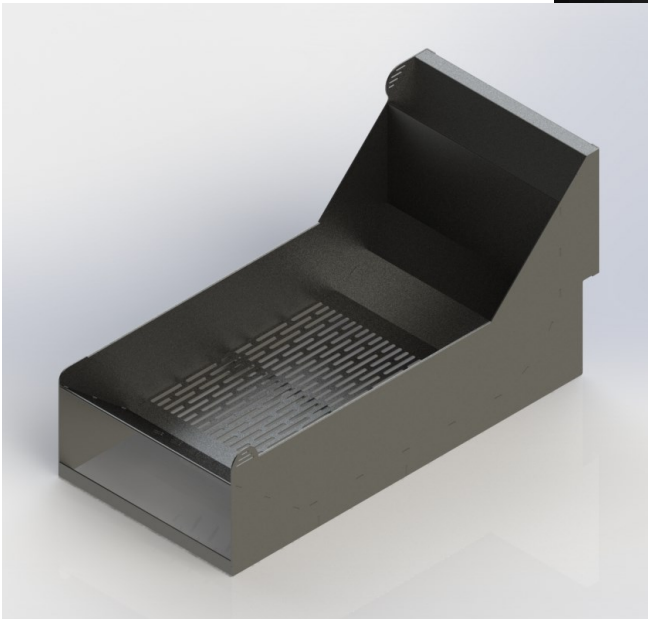
Weight: 5lbs

***FD018127 Chili Cheese Fry
Tray & Lid Holder***

FD018122



PRODUCT DETAILS



Function

- **Holds Cooked Fries**

Features

- **Separates fries for consistency**
- **Holds one basket of fries**

FD018122

Dimensions: 10.62" H x 10" W x 21.06" D

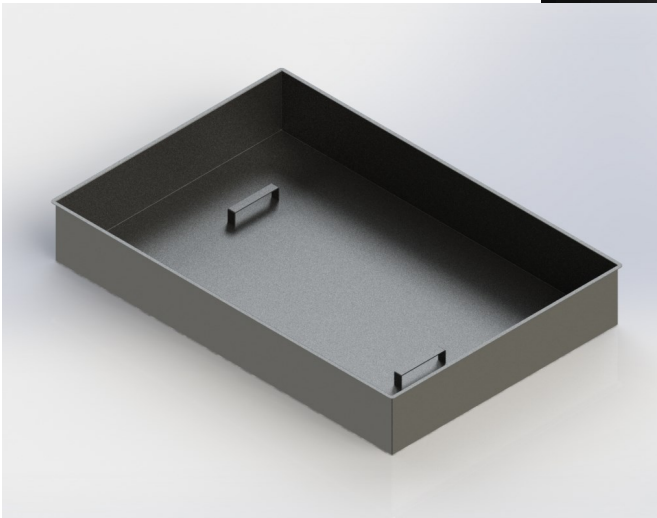
Weight: 9lbs

FD018122 Fry Dump Pan

FD018121



PRODUCT DETAILS



Function

- Holds (3) Fry Dump Pans

Features

- Easy lift handles for cleaning

FD018121

Dimensions: 4.62" H x 20.75" W x 30.62" D

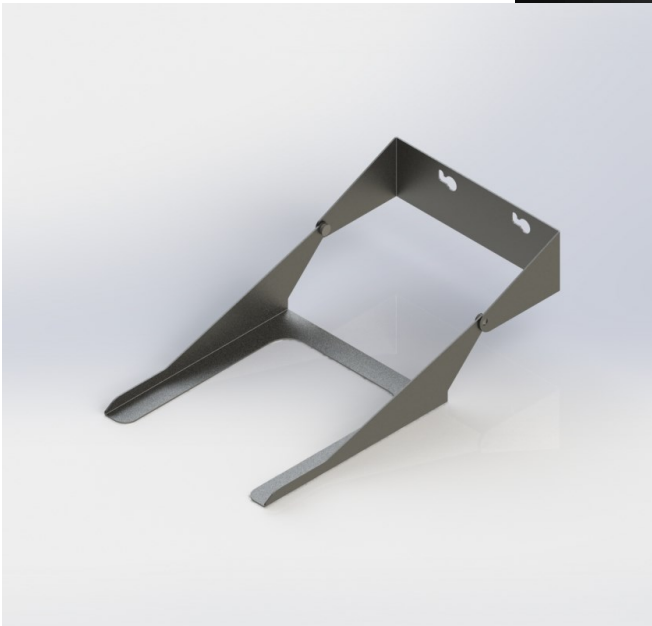
Weight: 15lbs

FD018121 Fry Lane Holding Pan

FD018132



PRODUCT DETAILS



Function

- Holds Ready Chicken Nuggets

Features

- Easy to use keyhole style mounting system

FD018132

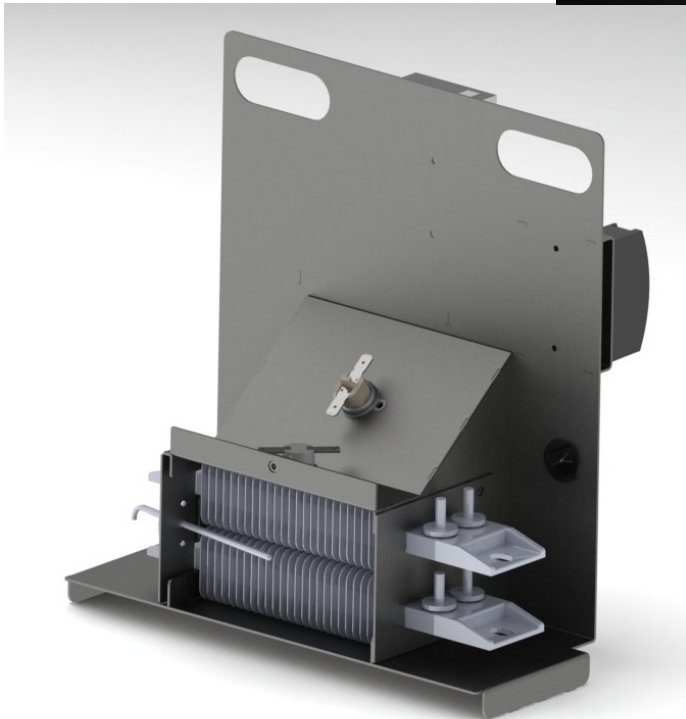
Dimensions: 3" H x 8" W x 15.12" D

Weight: 1.3lbs

***FD018132 Nugget Holding Pan
Bracket***



PRODUCT DETAILS



FD018124

Dimensions: 10.06" H x 9.7" W x 5.95" D

Weight: 6lbs

Operating Voltage

- **120 Volts, 10.5 Amp, 1250 Watt operation**

Function

- **Single lane forced air fry heating system**

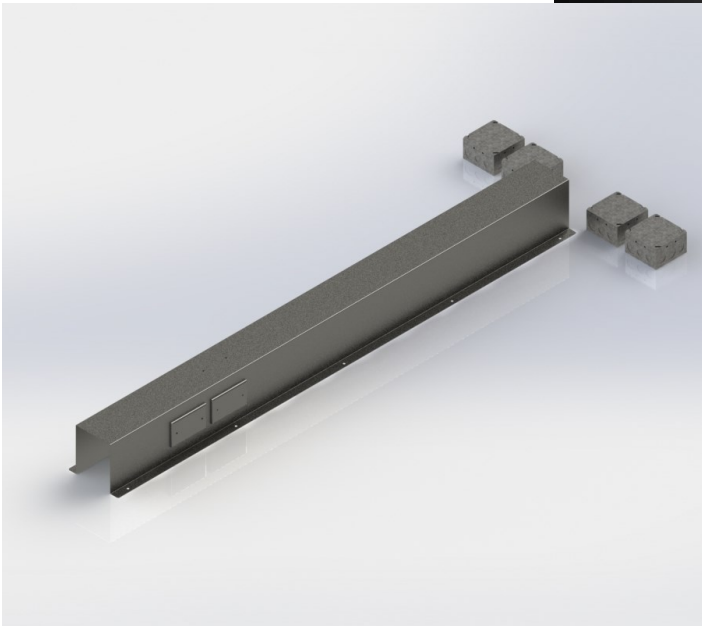
Features

- **1250 watts of heating power**
- **Dual safety limits**
- **Programmable thermostat**

FD018130



PRODUCT DETAILS



Function

- **Electrical Chase For Fry Station**

Features

- **Cuts for optional outlet mounting**

FD018130

Dimensions: 59.43" H x 6.5" W x 1.07" D

Weight: 10.5lbs

FD018130 Electrical Chase



PRODUCT DETAILS

Operating Voltage

- **12 Volts DC, .13 Amps**



Function

- **(3) Lane Fry Timer**

Features

- **Breakfast, Lunch, and Dual Serve modes**
- **8 minute hold times**

FD018188

***TLT-3 Henny Penny
Timer***

7000016



PRODUCT DETAILS



Function

- Refrigeration Pressure Control

Features

- Push button reset
- High and Low side limiting

7000016

***P70MA-1 Johnson Controls
Dual Pressure Control***

7000015



PRODUCT DETAILS



7000015

Operating Voltage

- 120 volts, .1 amps

Function

- Refrigeration Temperature Control

Features

- Digital display
- Dual temperature probes

**MR4PMUHV-12 Johnson Controls
Temperature Control**

7000733-180



PRODUCT DETAILS



Operating Voltage

- 120 Volts, .1 Amps

Function

- Drain Heating Wire

7000733-180

7000733-180 Drain Heater



PRODUCT DETAILS



Operating Voltage

- 120 volts, 3.5 amps

Function

- Evaporator coil

7000048-NOBRACKET

***BBL10AG Heatcraft
Evaporator Coil***

901692



PRODUCT DETAILS



Function

- **Evaporator Drain Pan**

901692

Dimensions: 4.43" H x 4.59" W x 16.64" D

901692 Evaporator Drain Pan

7000023-72



PRODUCT DETAILS



7000023-72

Operating Voltage

- **120 Volts, 2.5 Amps**

Function

- **Condensate Evaporator Pan**

Pan and Power Cord can be purchased individually

***T12-5000 Component Hardware
Condensate Evaporator Pan***

7000568-H051



PRODUCT DETAILS

Operating Voltage

- **120 Volts, 7.8 Amps**

Function

- **1/2 HP Compressor/Condensing Unit**

7000568-H051

***M4FL-H051-1AA-272 Copeland
Condensing Unit***

7000328-6



Operating Voltage

- 120 Volts, .23 Amps

Function

- Cooling Fan

7000328-6

**SA1725V1MBT Sofasco
Axial Fan**



PRODUCT DETAILS



7000781-TEMPCO

Operating Voltage

- 120 Volts, 5.2 Amp, 625 Watt Operation

Function

- Heating Element For FD018124 Fry Lane Heating Insert

Features

- Finned casing for more efficiency
- 625 Watts of heating power

**CSF00747 Tempco
Heating Element**

7000786



PRODUCT DETAILS



7000786

Operating Voltage

- 100-240 Volts, 3 Watts

Function

- Temperature Control Unit

Features

- PID control
- Digital display screen
- 100ms High speed sampling
- Built in MOV protection

TC4SP-14R Autonics Temperature Controller

7000738



PRODUCT DETAILS



7000738

Function

- Solid State Relay

Features

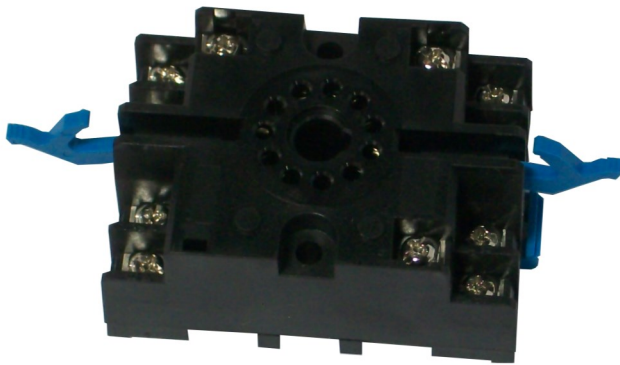
- Green LED indicator
- Protective touch safe cover
- Built in MOV protection

***RM1A23D25 Carlos Gavazzi
Solid State Relay***

7000787



PRODUCT DETAILS



Function

- Socket For Temperature Controller

Features

- Din rail mounting system

7000787

***PS-11 Autonics
Temperature Control Socket***

7000734-3.15



PRODUCT DETAILS



7000734-3.15

Operating Voltage

- 115 Volts, .1 Amps, 11/10 Watts

Function

- Axial Fan

Features

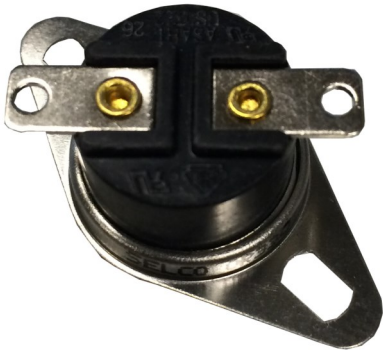
- Aluminum frame
- Impedance protection

sA8038V1HBLM Sofasco
3" Axial Fan

7000737-330



PRODUCT DETAILS



Function

- Safety Limit

Features

- 330° f setpoint
- Automatic reset

7000737-330

US-622
330° Snap Disc

7000737-400



PRODUCT DETAILS

Function

- Safety Limit



Features

- 400° f set-point
- Push to reset

7000737-400

**1NT08L-3663 Klixon
400° Snap Disc**

7000834



PRODUCT DETAILS

Function

- Temperature Probe

Features

- K type thermocouple



7000834

K Type Thermocouple

7000748-2014



PRODUCT DETAILS



Operating Voltage

- 12 DC Volts, .2 Amps, 4 Watt Operation

Function

- LED Light Strip

7000748-2014

QS-AL-N-50CM
LED Light Strip