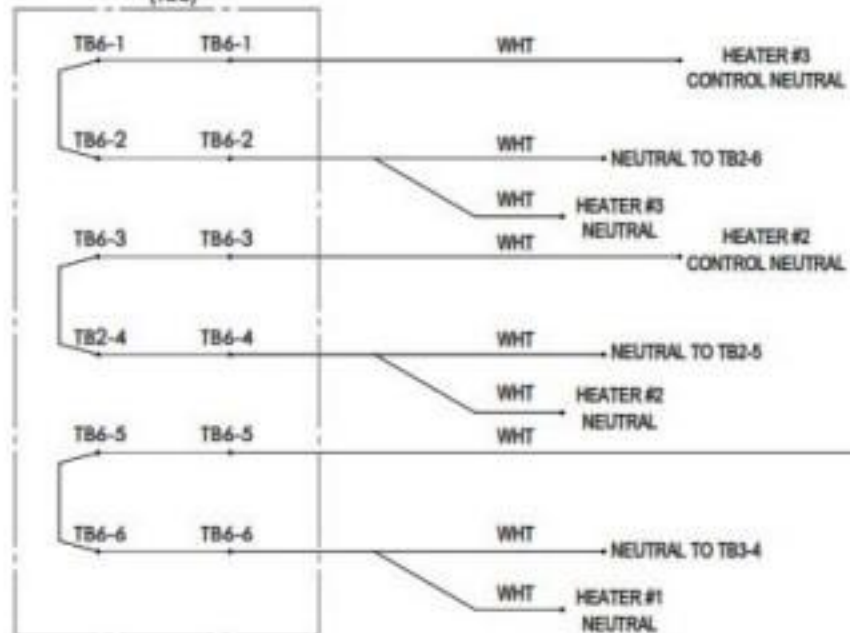
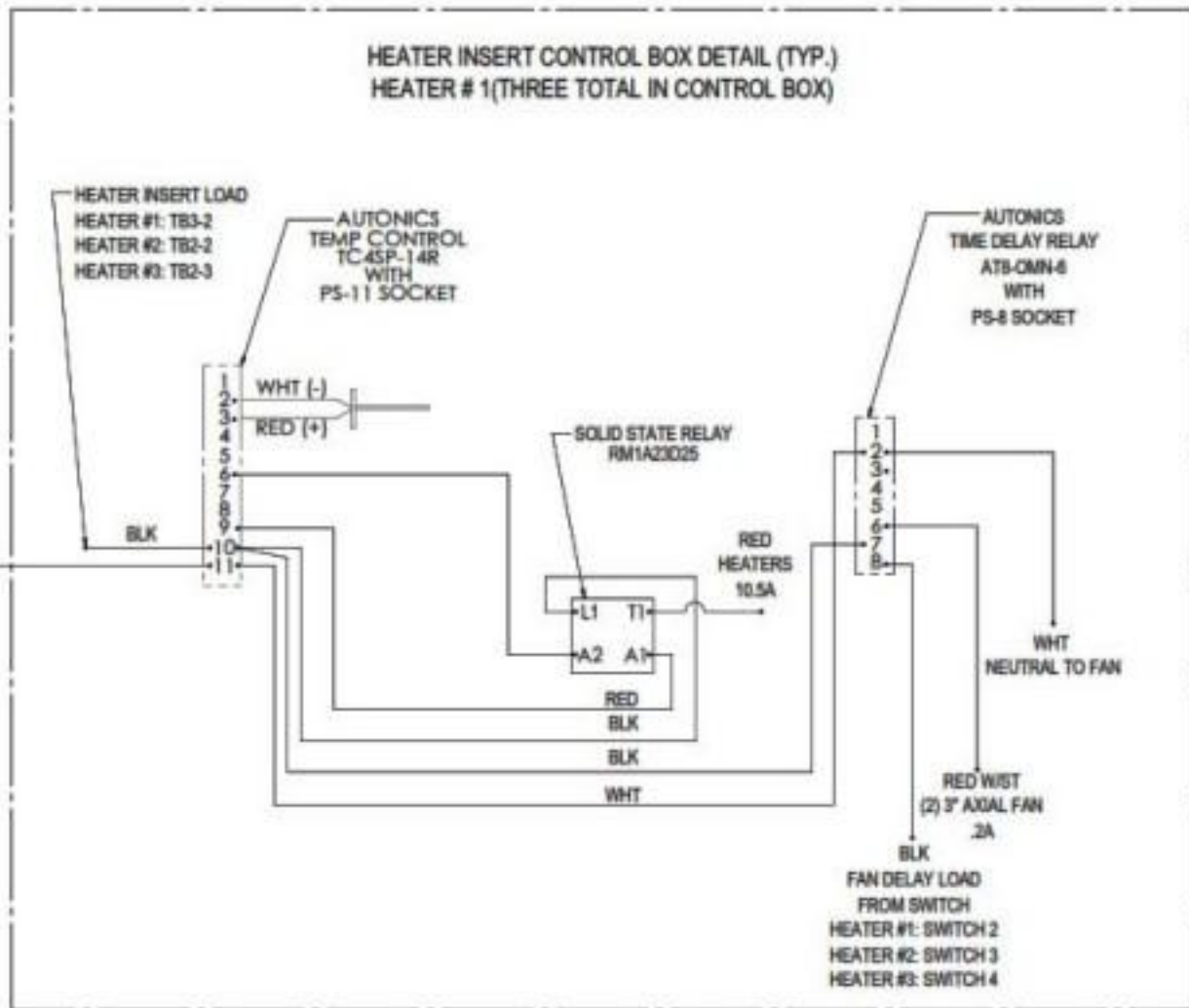


HEATER CONTROL BOX  
NEUTRAL BLOCK  
(TB6)



HEATER INSERT CONTROL BOX DETAIL (TYP.)  
HEATER # 1 (THREE TOTAL IN CONTROL BOX)



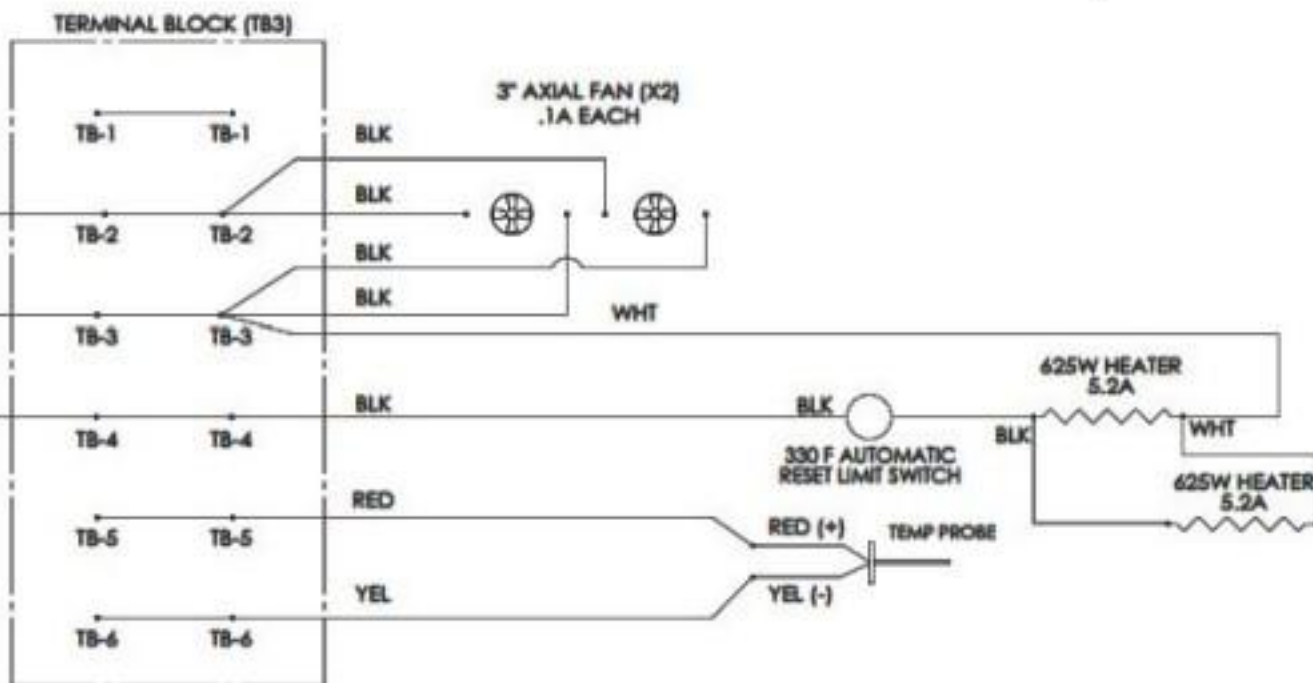
**TERMINAL BLOCK KEY  
(FEEDS RUN FROM CONTROL BOX)**

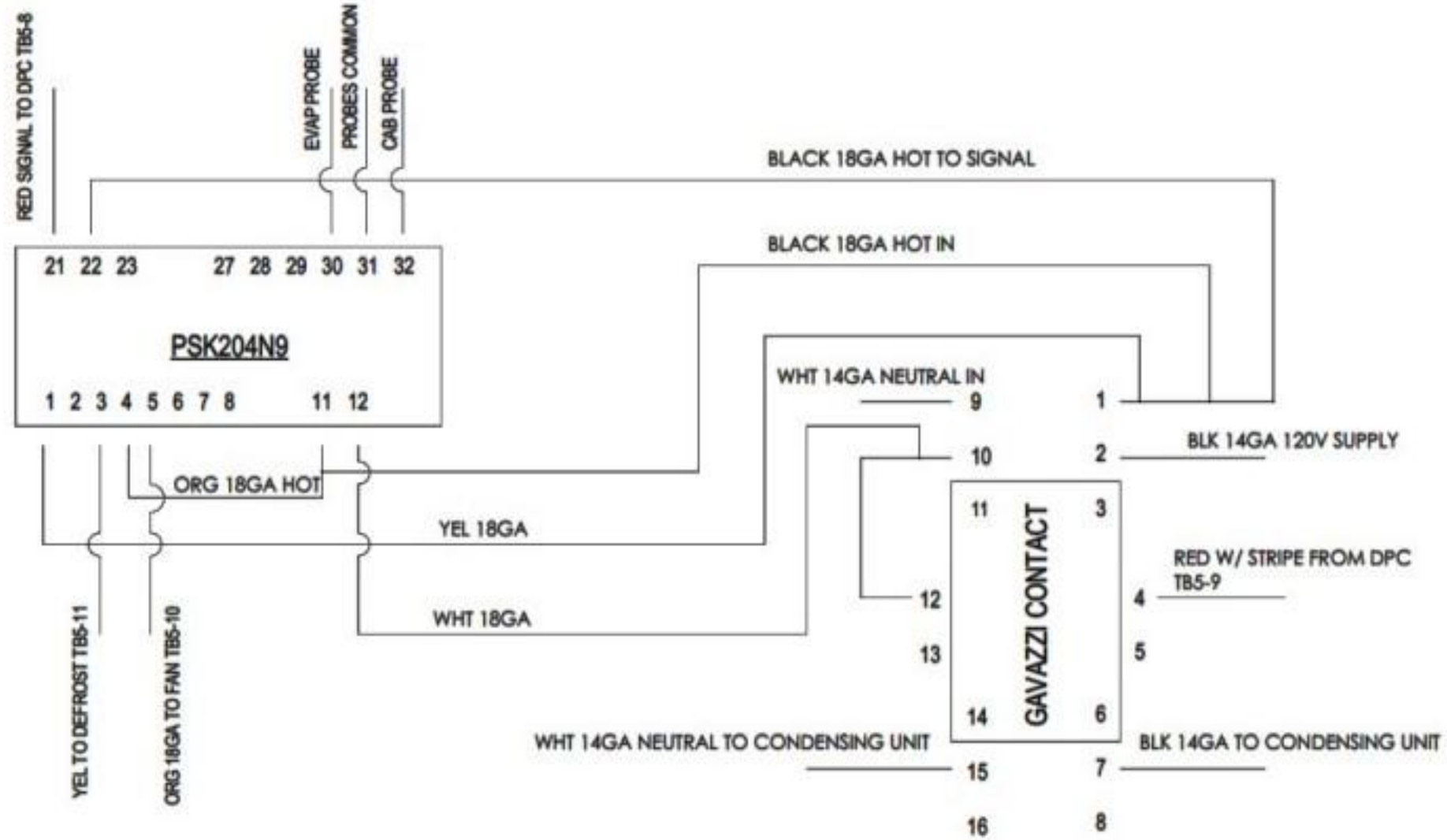
- TB-1 : GROUND
- TB-2 : FAN POWER FROM FAN DELAY # 6 PORT
- TB-3 : NEUTRAL FROM FAN DELAY # 2 PORT
- TB-4 : HEATER POWER FROM RELAY T1 PORT
- TB-5 : TEMP PROBE POSITIVE FROM TEMP CONTROL #3 PORT
- TB-6 : TEMP PROBE NEGATIVE FROM TEMP CONTROL #2 PORT

POWER FROM  
120V - 20A SERVICE

N L1

10  
20  
30  
40  
50  
60  
70  
80  
90  
100  
110  
120  
130  
140  
150  
160  
170  
180  
190  
200  
210  
220  
230  
240  
250  
260  
270  
280





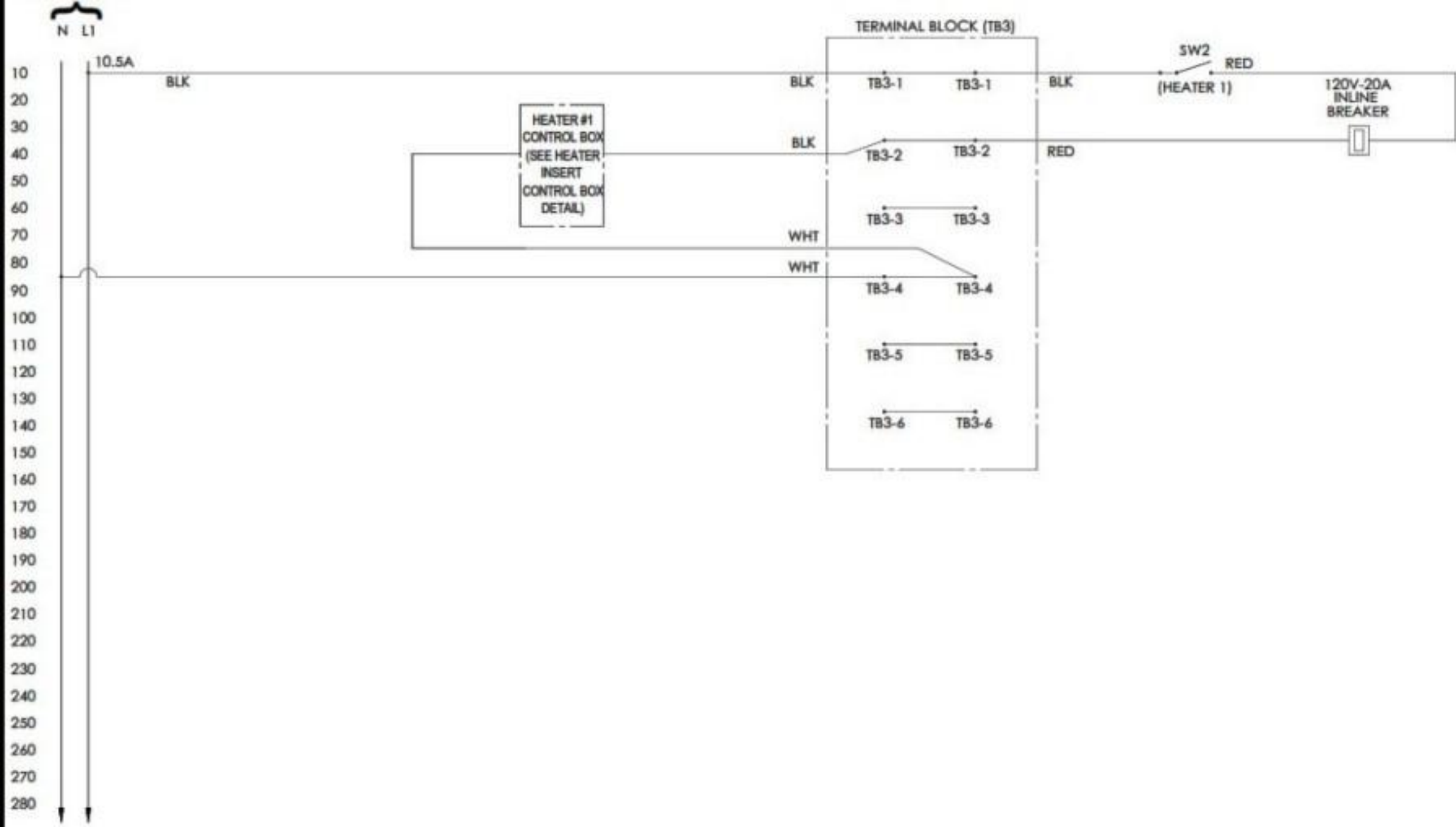
**WHIP ONE SUPPLY 22"**

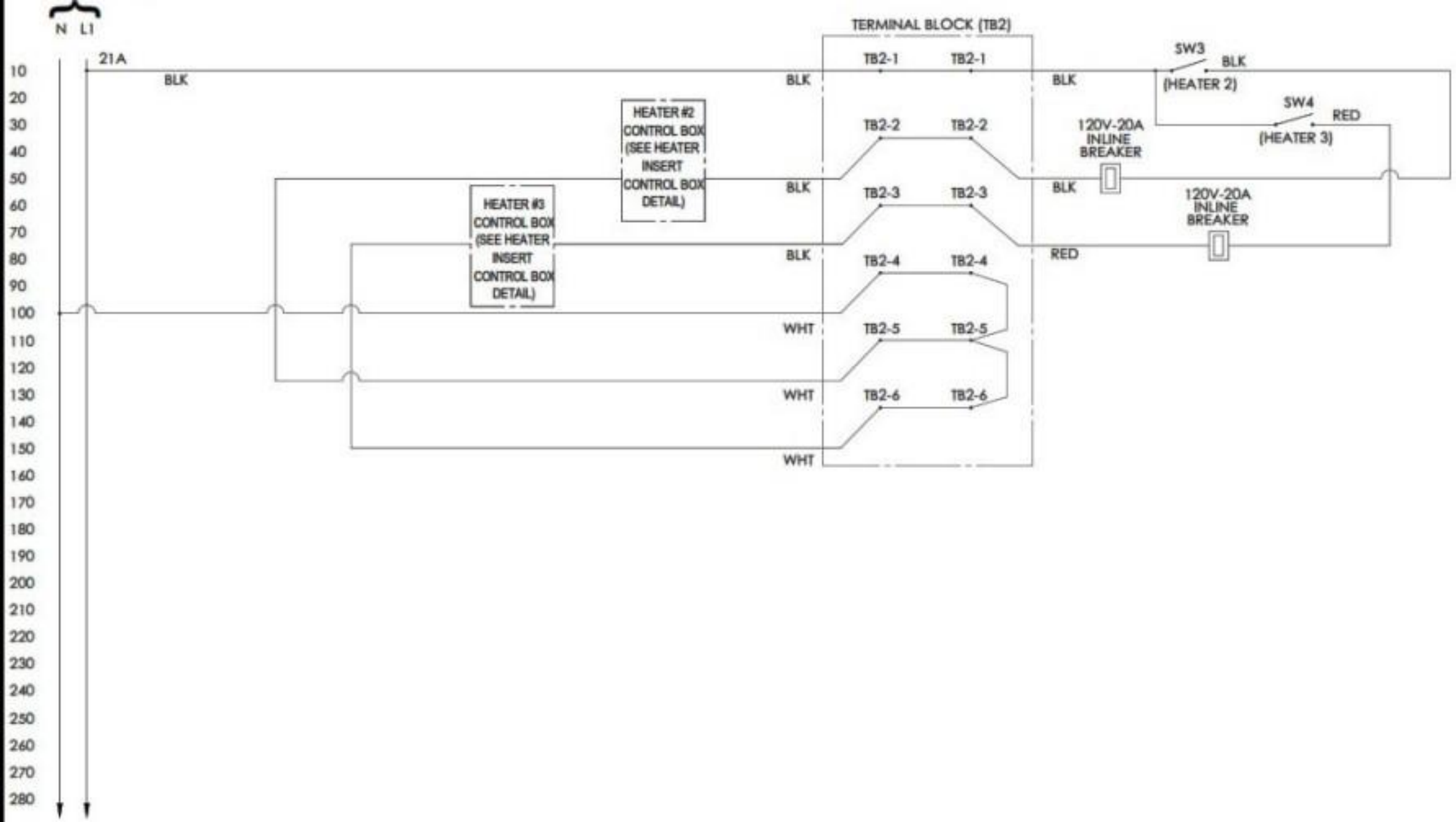
- YELLOW 18GA (DEF)
- ORANGE 18GA (FAN)
- BLACK 14GA (SUPPLY)
- WHITE 14GA (NEUTRAL)
- GREEN 14GA (GROUND)
- RED 18G (DPC SUPPLY)
- RED W/ STRIPE 18G (DPC SIGNAL)

**WHIP TWO CONDENSING UNIT 22"**

- BLACK 14GA (CONDENSING SUPPLY)
- WHITE 14GA (CONDENSING NEUTRAL)
- GREEN 14GA (CONDENSING GROUND)







N LT

TERMINAL BLOCK (TB1)

