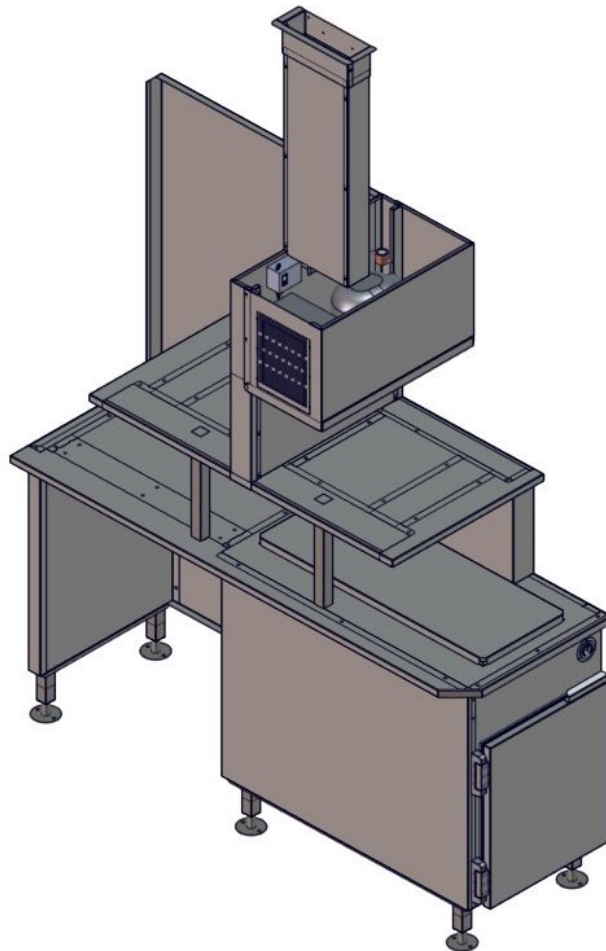




# NGK Meat Well

NG014600

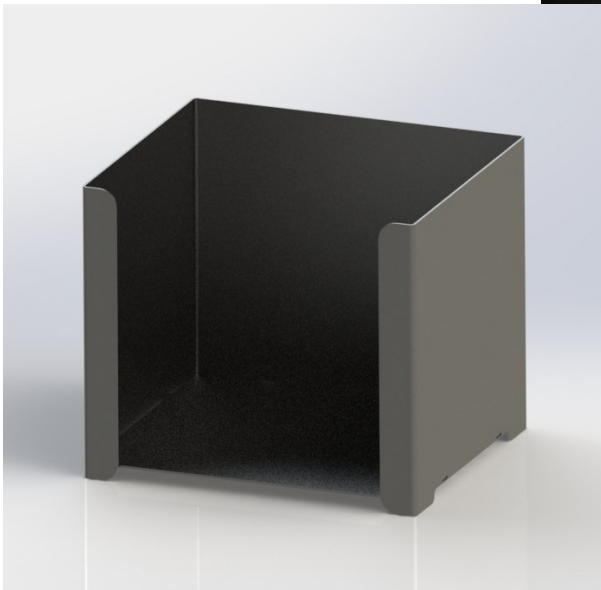


## Replacement Parts Catalog

**NG019009**



**PRODUCT DETAILS**



**Function**

- **Folded Towel Holder**

**NG019009**

**Dimensions: H 6", W: 7", D 6"**

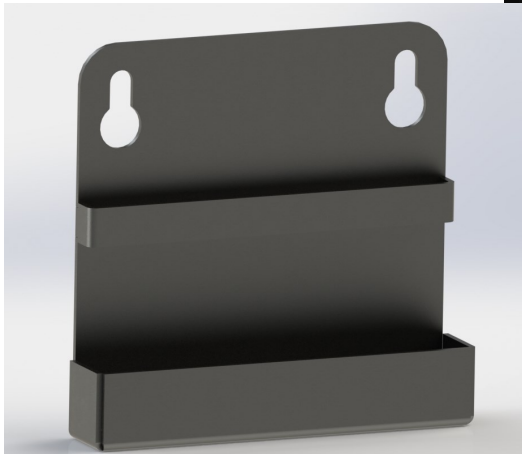
**Weight: 2.2 lbs**

***NGK Folded Towel Holder***

**NG019021**



## **PRODUCT DETAILS**



### **Function**

- **Spatula Holder**

### **Features**

- **Keyhole mounting design**
- **Mounts on meat well wall for easy access**

**NG019021**

**Dimensions: H: 1", W: 13 1/4", D: 35 1/8"**

**Weight: .81 lbs**

***NGK Spatula Holder***

**SW010040-2**



**PRODUCT DETAILS**



**Function**

- **Two Tier Meat Storage Shelf**

**SW010040-2**

**Dimensions: H: 8 3/6", W: 13", D: 20"**

**Weight: 15.27 lbs**

***NGK Meat Storage Shelf***

7000025



## PRODUCT DETAILS



### Operating Voltage

- 115 Volts, 5.3 Amps, 60 Hertz

### Function

- 1/10 HP Compressor / Condensing Unit

7000025

**ASE12C4E-IAA-103 Copeland  
Condensing Unit**

7000009



## PRODUCT DETAILS



7000009

### Function

- High Pressure Switch

### Features

- SPDT type switch
- 100 PSIG to 400 PSIG Range
- 40 PSI to 150 PSI differential

**016-108 Ranco**  
**High Pressure Control**

7000015



## PRODUCT DETAILS



7000015

### Operating Voltage

- 120 volts, .1 amps

### Function

- Refrigeration Temperature Control

### Features

- Digital display
- Dual temperature probes

**MR4PMUHV-12 Johnson Controls  
Temperature Control**

7000113



## PRODUCT DETAILS



### Function

- 1/4 ODF, 3/4 ODF Expansion Valve

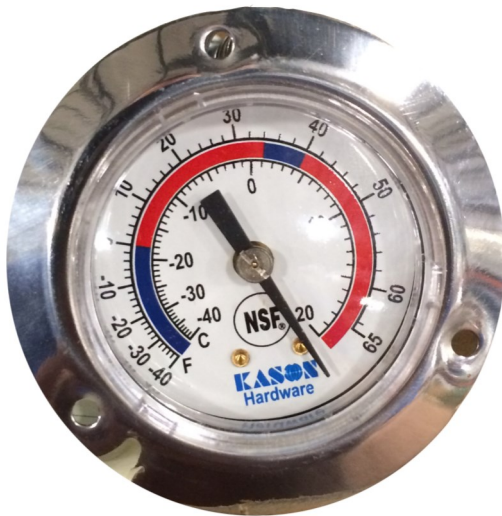
7000113

***ACP1 Emerson  
Expansion Valve***

7000022



## PRODUCT DETAILS



### Function

- Thermometer

### Features

- -40° - 65° reading range

7000022

**Kason V20362002**  
**3" Thermometer**

7000036



## PRODUCT DETAILS



7000036

### Operating Voltage

- 115 volts, .73 amps

### Function

- Evaporator Coil

### Features

- 1200 BTU

***Russell SLA17-10RP***

***Evaporator Coil***