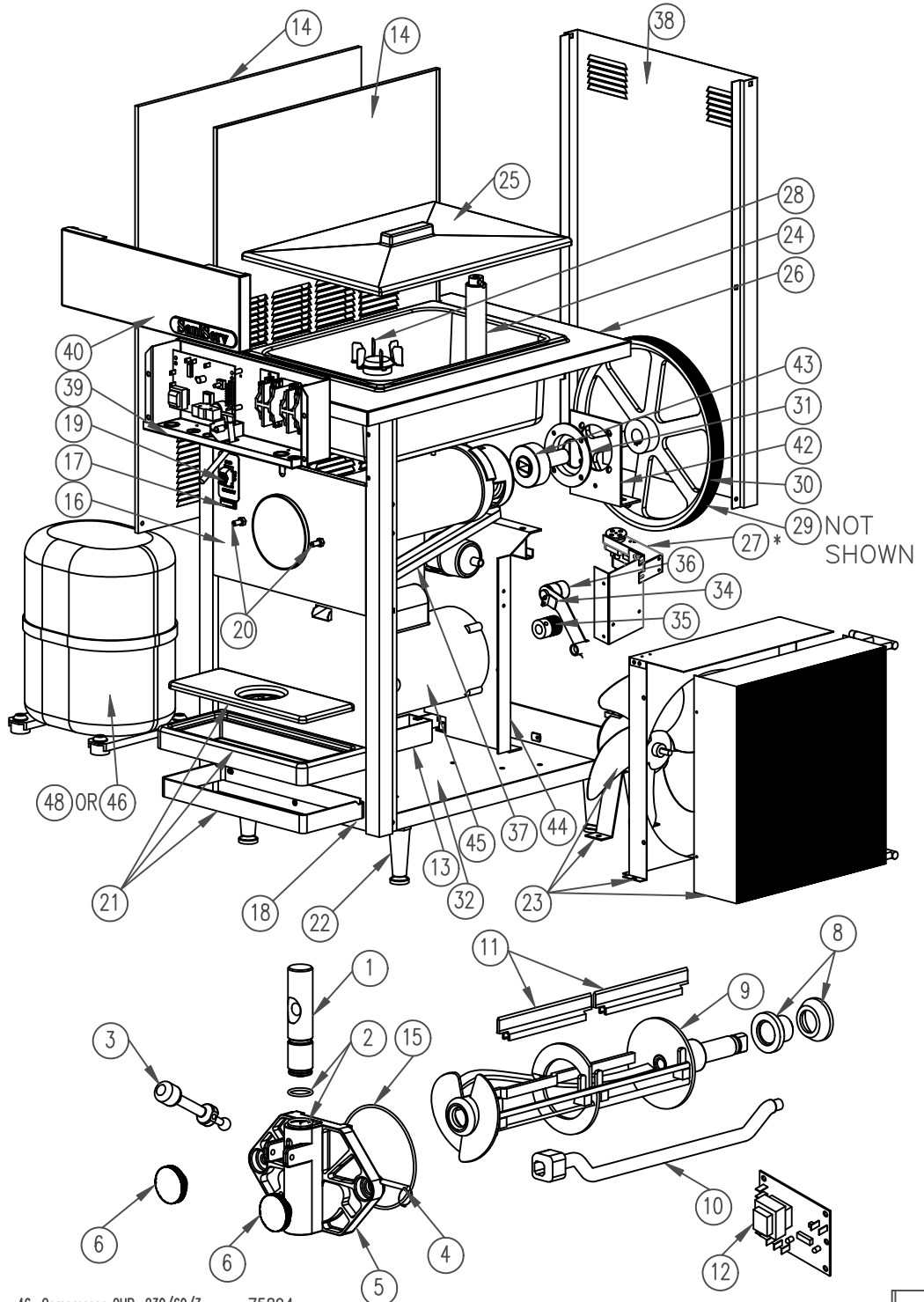


Parts List  
(208-230V, 1PH & 3PH, 60Hz)  
(220V, 1PH, 50Hz)  
Model 404

1. Spigot Plunger. . . . . 105503
2. Spigot Plunger O-Ring (2). . . . . 58923
3. Spigot Handle. . . . . 65632-01
4. Faspin. . . . . 64255
5. Front Plate. . . . . 65631
6. Front Plate Knob (2). . . . . 64065
8. Rear Seal Assy. . . . . 108541
9. Dasher Assy. . . . . 3113-01
10. Stator Rod. . . . . 65633
11. Scraper Blade (2). . . . . 104984
12. Liquid Level Control Board. . . . . 70677
13. Handy Box. . . . . 70037  
Handy Box Cover. . . . . 61041
14. Side Panel (2). . . . . 109353
15. Front Plate O-Ring. . . . . 58911
16. Front Panel Upper. . . . . 109346
17. Mix Out Light. . . . . 70423
18. Front Panel. . . . . 109345
19. Auto/Cleanout Switch. . . . . 70023  
Switch Decal. . . . . 9510
20. Front Plate Studs (2). . . . . 7107
21. Drip Tray Support. . . . . 108975  
Drip Tray. . . . . 108867  
Drip Tray Insert. . . . . 108868
22. Leg (4). . . . . 64135
23. Condenser Assy. . . . . 75434  
Fan Motor. . . . . 75439  
Fan Blade. . . . . 108797  
Blade Hub. . . . . 108828  
Shroud Guard. . . . . 109349  
Fan Bracket. . . . . 109043  
Water Condenser (W/C Only). . . . . 75045  
Water Valve (W/C Only). . . . . 1593  
Water Valve Bracket (W/C Only). . . . . 105873  
Water Inlet Bracket (W/C Only). . . . . 109926
24. Carb Tube. . . . . 110037
25. Mix Pan Lid. . . . . 65994
26. Top Cover & Evap Assy. . . . . 110517
- 27\*. Stirrer Motor Assy. . . . . 109378  
Gear Motor. . . . . 75886  
Magnetic Drive Assy. . . . . 108928  
Motor Bracket. . . . . 109309  
Motor Bracket Support. . . . . 109792
28. Agitator Assy. . . . . 110338  
Agitator Support. . . . . 110335
29. Belt. . . . . 58889
30. Driven Pulley. . . . . 10207  
Key, 1/4" Sqr. . . . . 3621
31. Bearing Cap. . . . . 109270
32. Base Pan. . . . . 109348
34. Idler Arm. . . . . 103249
35. Drive Pulley. . . . . 10208  
Key, 3/16" Sqr. . . . . 3632
37. Idler Spring. . . . . 64504
37. Drip Chute. . . . . 109354
38. A/C Back Panel. . . . . 109352  
W/C Back Panel. . . . . 109795
39. Wiring Box Assy. . . . . See Below  
Wiring Box. . . . . 109307  
Terminal Board. . . . . 61073  
Contactor Relay. . . . . 69996  
Micro Switch. . . . . 70008  
Switch Arm Lever. . . . . 105568  
Micro Switch Bracket. . . . . 109306  
Spring Switch Arm. . . . . 7585  
Control Board. . . . . 70681
40. Wiring Box Cover. . . . . 105346-03  
SaniServ Logo. . . . . 16062
42. Evaporator Support (Upper). . . . . 109238
43. Bearing & Shaft. . . . . 2858
44. Evaporator Support (Lower). . . . . 109342
45. Dasher Motor 1HP, 1PH. . . . . 75256  
Dasher Motor 1HP, 3PH. . . . . 75641



46. Compressor 2HP, 230/60/3. . . . . 75894  
Compressor 2HP, 230/60/1. . . . . 75890  
Power Plug 1PH. . . . . 75891  
Run Capacitor 1PH. . . . . 75892  
Mounting Kit. . . . . 75584
47. Spare Parts Kit. . . . . 188118
48. Compressor 2HP, 220/50/1. . . . . 75748  
Start Capacitor 1PH. . . . . 75750  
Run Capacitor 1PH. . . . . 75751  
Relay 1PH. . . . . 75749

Refrigeration Parts

- Drier. . . . . 71010
- Expansion Valve. . . . . 71042
- Hi Pressure Switch. . . . . 71090
- Cap Tube. . . . . 108714
- Drier Clamp. . . . . 64089
- Refrigerant (HP 62). . . . . 42 OZ
- EPR Valve. . . . . 71082

\* ON 60HZ MACHINES ONLY

SaniServ  
Exploded View

Model 404	BOM 4041071, 4041171, 4043071, 4043171
Description 208-230V, 1PH & 3PH, 60Hz	File 181136D.DWG
Wiring Box 1PH 15816, 3PH 15813	ECN 2124
Wiring Dia. 1PH 81450, 3PH 81451	Date 1/22/2018
	Sheet 1 of 1

181136

D