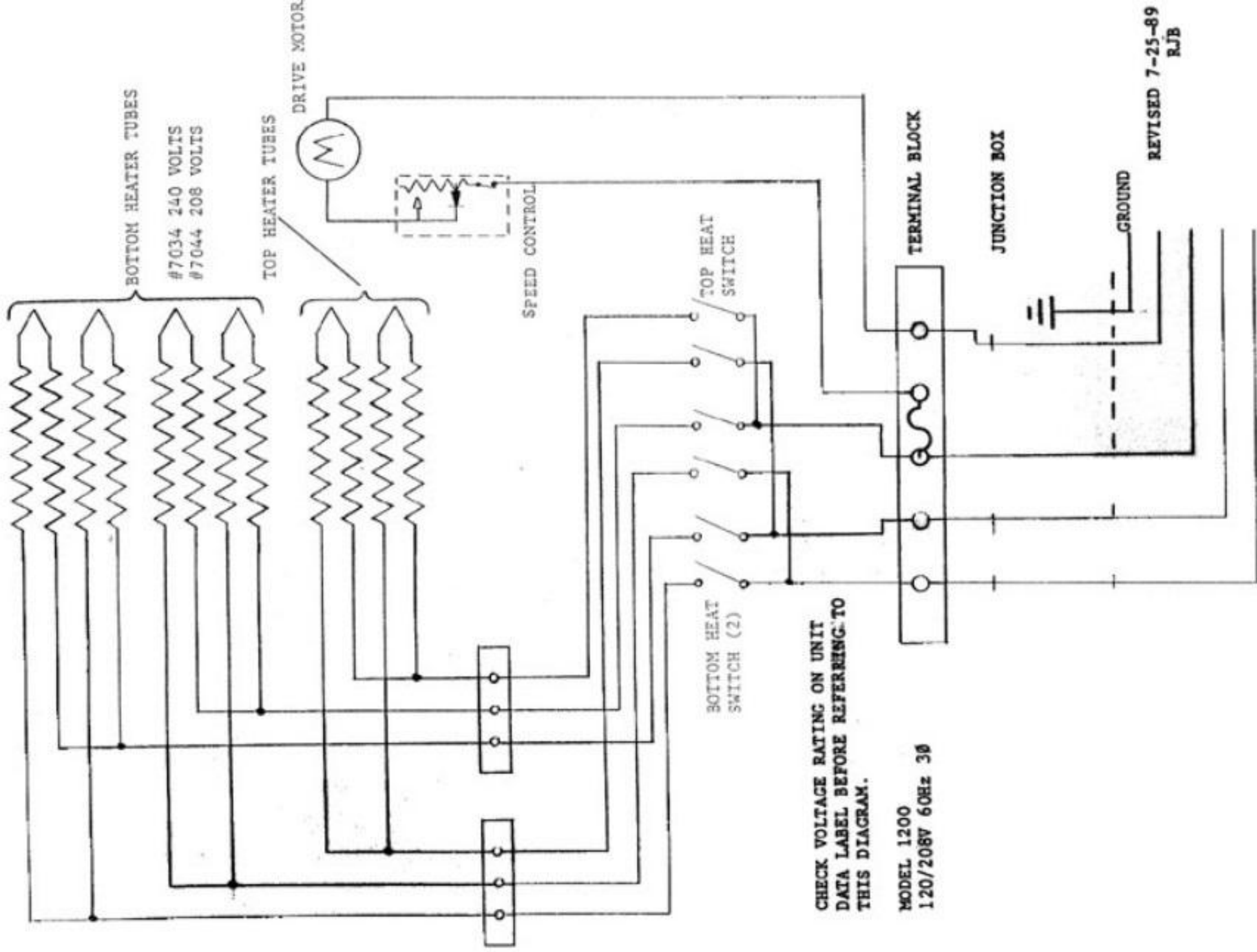


CHECK VOLTAGE RATING ON
UNIT DATA LABEL BEFORE
REFERRING TO THIS DIAGRAM

MODEL 2206
208-240V 60Hz 3Ø



BOTTOM HEATER TUBES

#7034 240 VOLTS
#7044 208 VOLTS

TOP HEATER TUBES

DRIVE MOTOR

SPEED CONTROL

BOTTOM HEAT SWITCH (2)

TOP HEAT SWITCH

MODEL 1200
120/208V 60Hz 3Ø

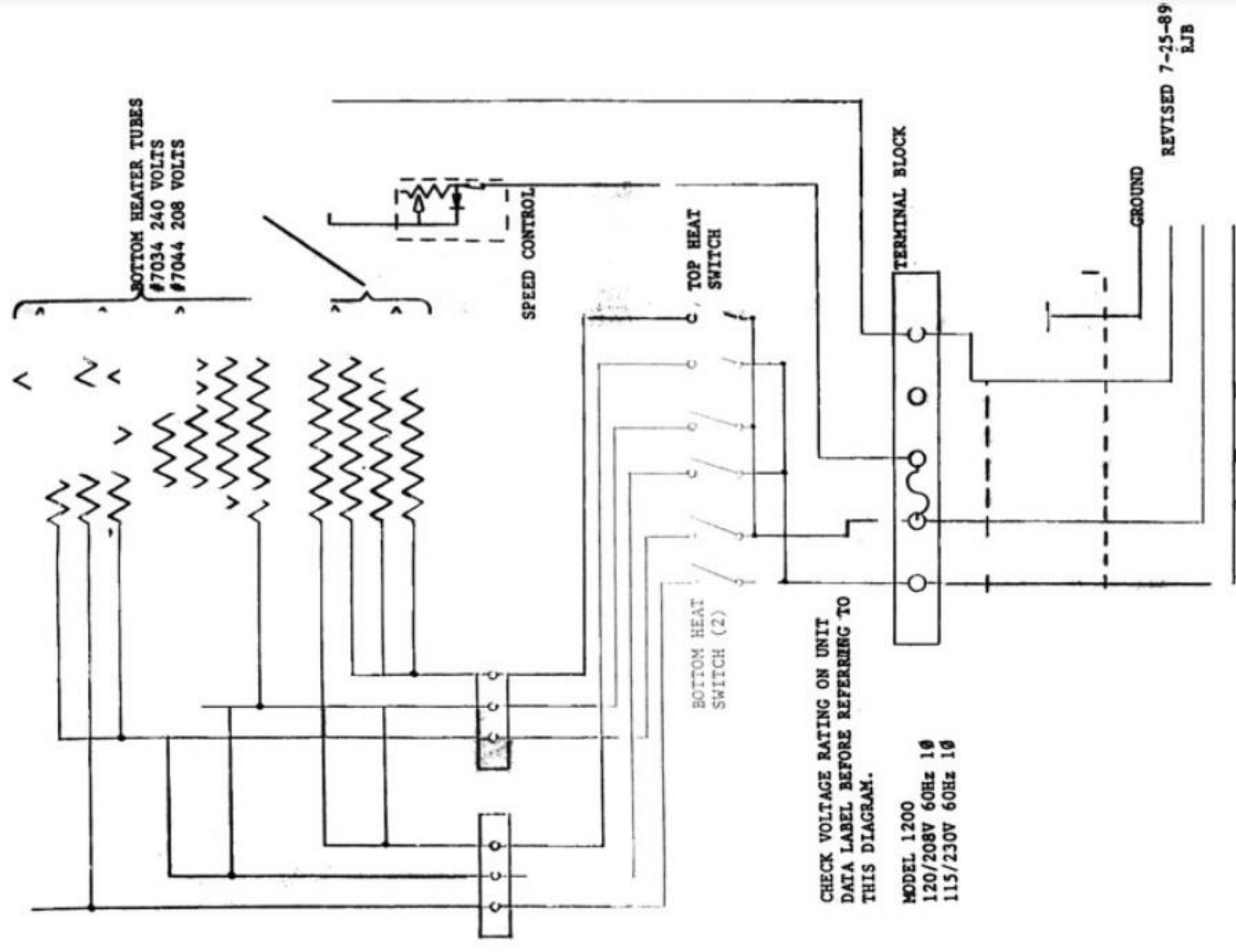
TERMINAL BLOCK

JUNCTION BOX

GROUND

CHECK VOLTAGE RATING ON UNIT
DATA LABEL BEFORE REFERRING TO
THIS DIAGRAM.

REVISED 7-25-89
RJB



BOTTOM HEATER TUBES
 #7034 240 VOLTS
 #7044 208 VOLTS

SPEED CONTROL

BOTTOM HEAT SWITCH (2)

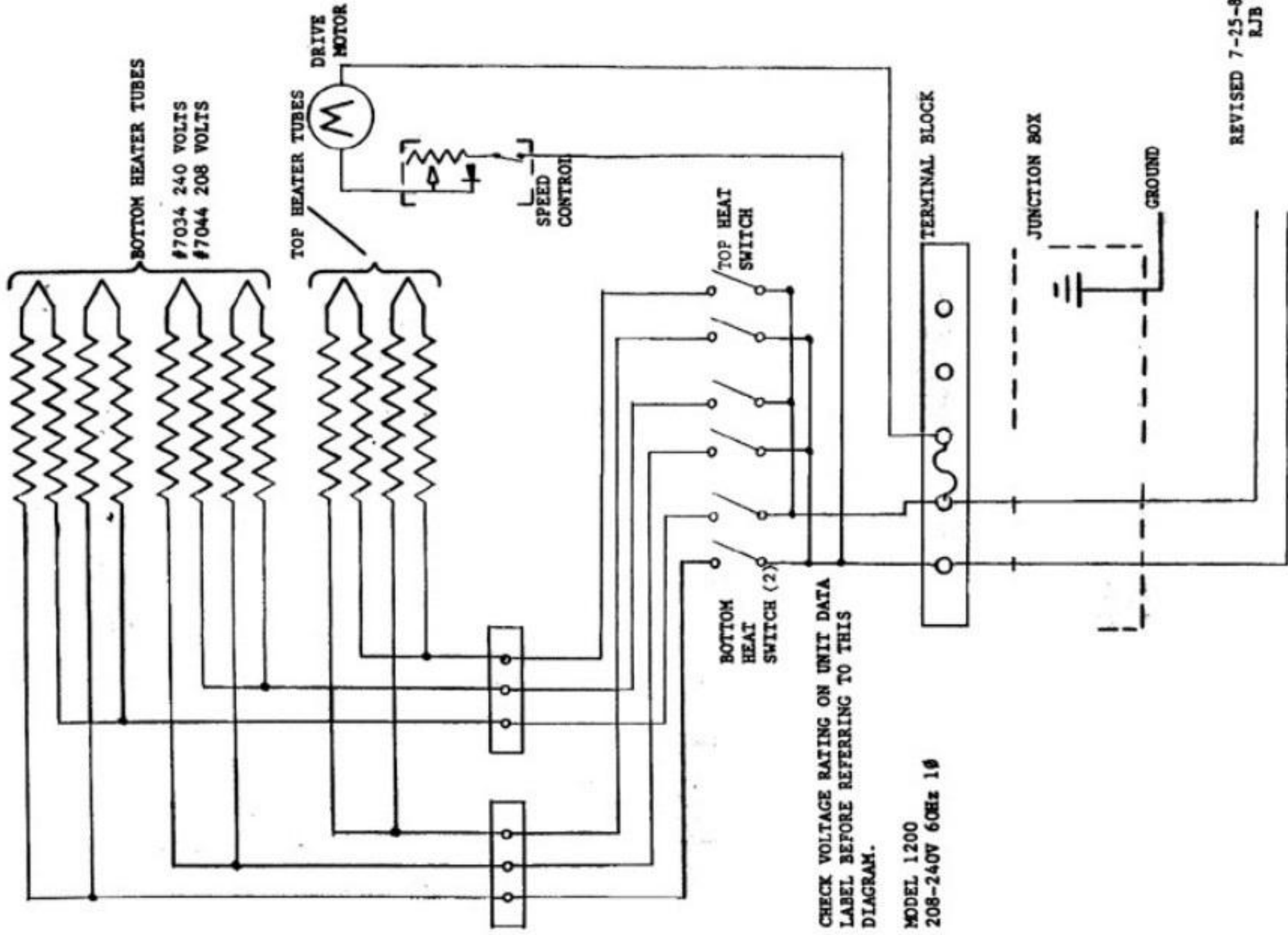
TOP HEAT SWITCH

TERMINAL BLOCK

GROUND

CHECK VOLTAGE RATING ON UNIT
 DATA LABEL BEFORE REFERRING TO
 THIS DIAGRAM.

MODEL 1200
 120/208V 60Hz 1Ø
 115/230V 60Hz 1Ø



BOTTOM HEATER TUBES
 #7034 240 VOLTS
 #7044 208 VOLTS

TOP HEATER TUBES
 DRIVE MOTOR
 SPEED CONTROL

TOP HEAT SWITCH

BOTTOM HEAT SWITCH (2)

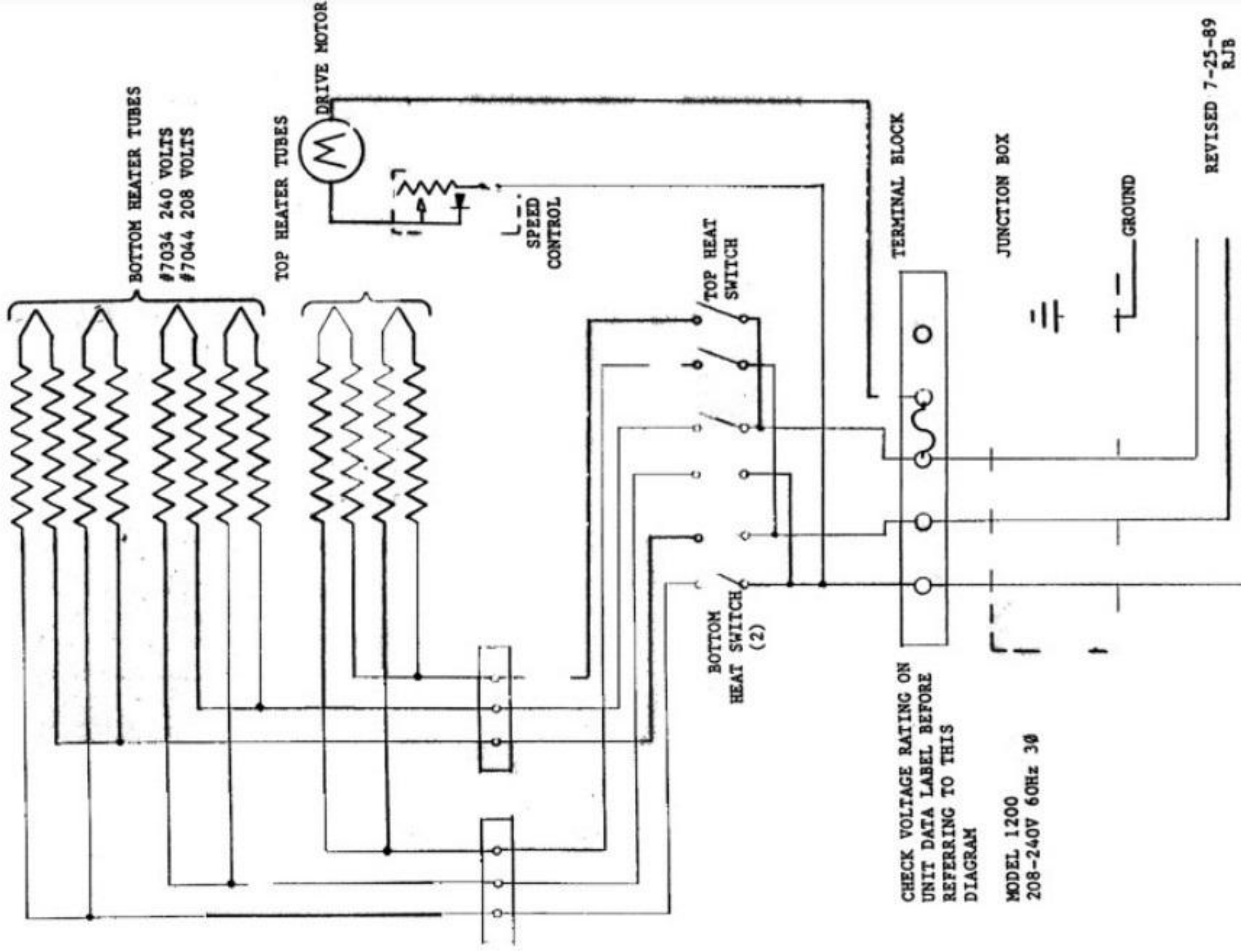
TERMINAL BLOCK

JUNCTION BOX

GROUND

CHECK VOLTAGE RATING ON UNIT DATA LABEL BEFORE REFERRING TO THIS DIAGRAM.

MODEL 1200
 208-240V 60Hz 1Ø



BOTTOM HEATER TUBES
 #7034 240 VOLTS
 #7044 208 VOLTS

TOP HEATER TUBES

DRIVE MOTOR

SPEED CONTROL

TOP HEAT SWITCH

BOTTOM HEAT SWITCH (2)

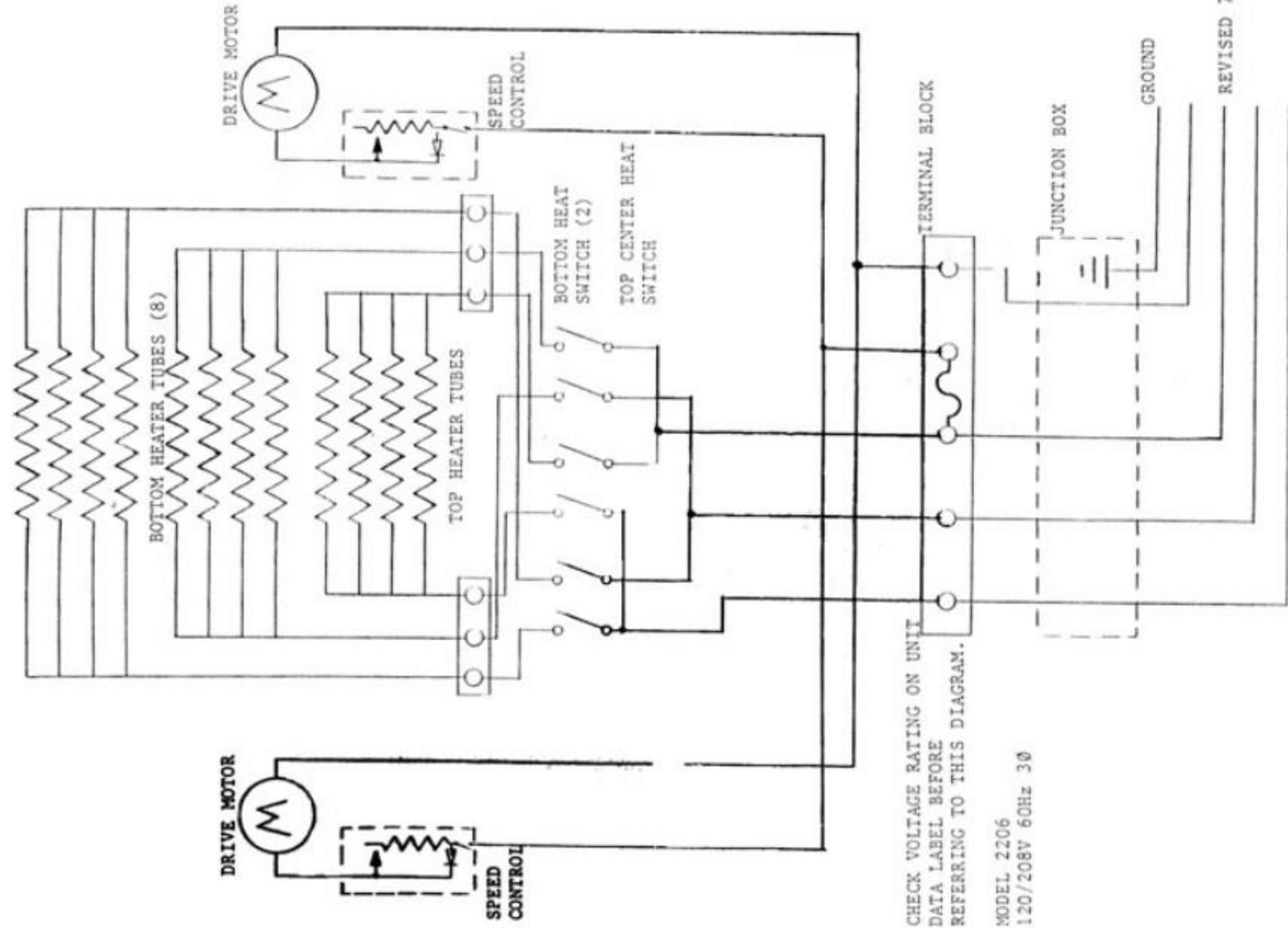
TERMINAL BLOCK

JUNCTION BOX

GROUND

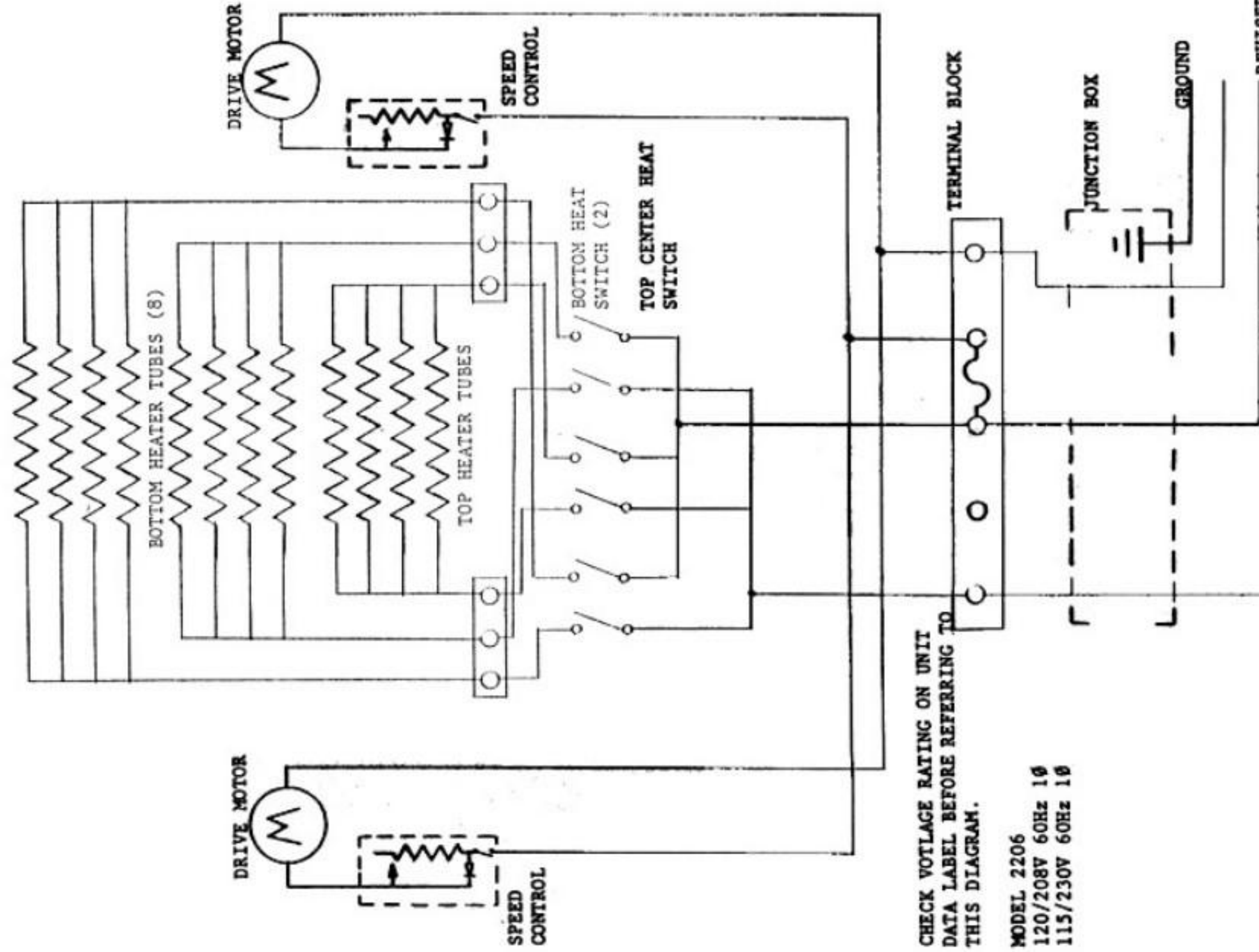
CHECK VOLTAGE RATING ON
 UNIT DATA LABEL BEFORE
 REFERRING TO THIS
 DIAGRAM

MODEL 1200
 208-240V 60Hz 3Ø



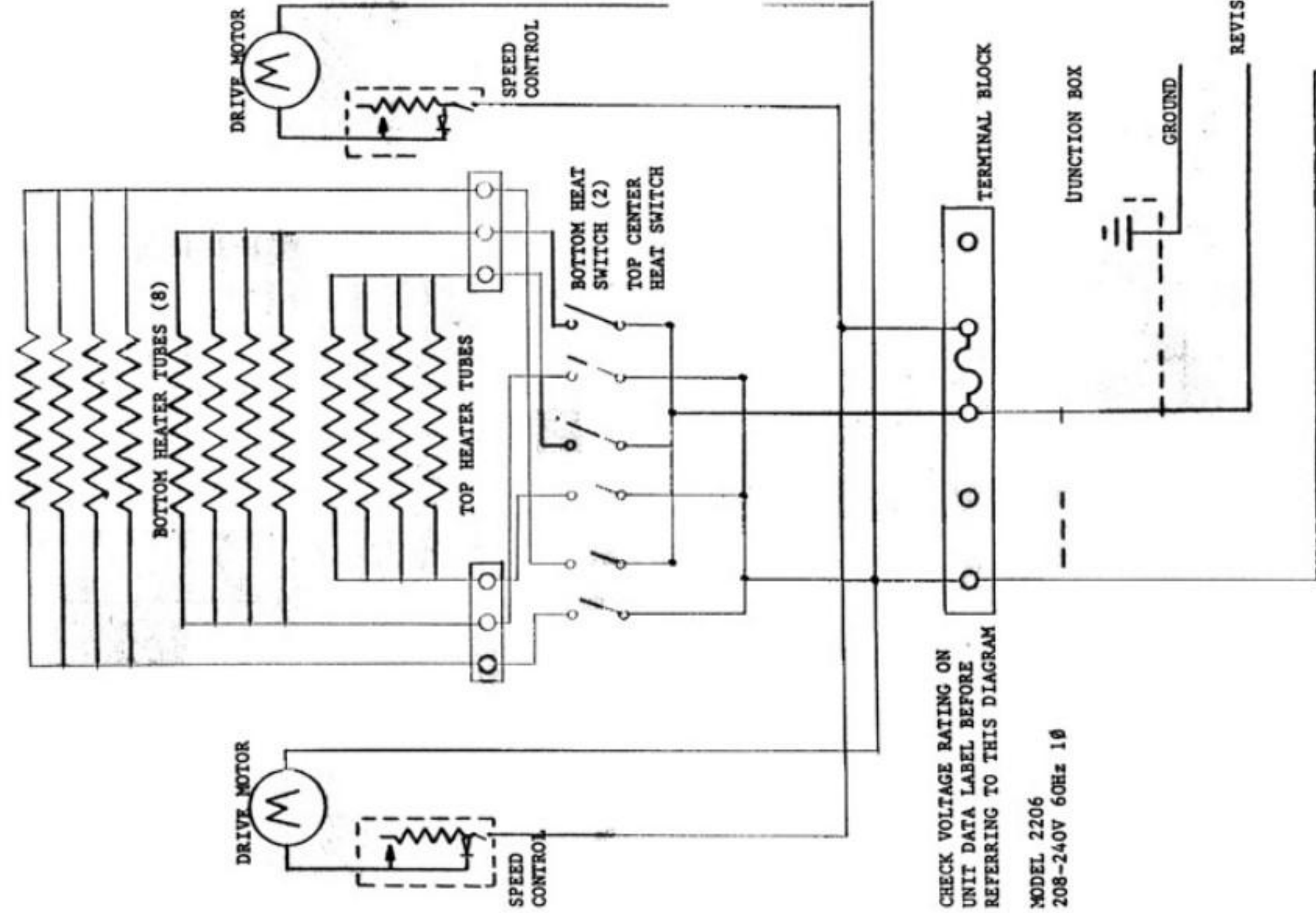
CHECK VOLTAGE RATING ON UNIT
 DATA LABEL BEFORE
 REFERRING TO THIS DIAGRAM.

MODEL 2206
 120/208V 60Hz 3Ø



CHECK VOLTAGE RATING ON UNIT
 DATA LABEL BEFORE REFERRING TO
 THIS DIAGRAM.

MODEL 2206
 120/208V 60Hz 1Ø
 115/230V 60Hz 1Ø



CHECK VOLTAGE RATING ON
UNIT DATA LABEL BEFORE
REFERRING TO THIS DIAGRAM

MODEL 2206
208-240V 60Hz 1Ø