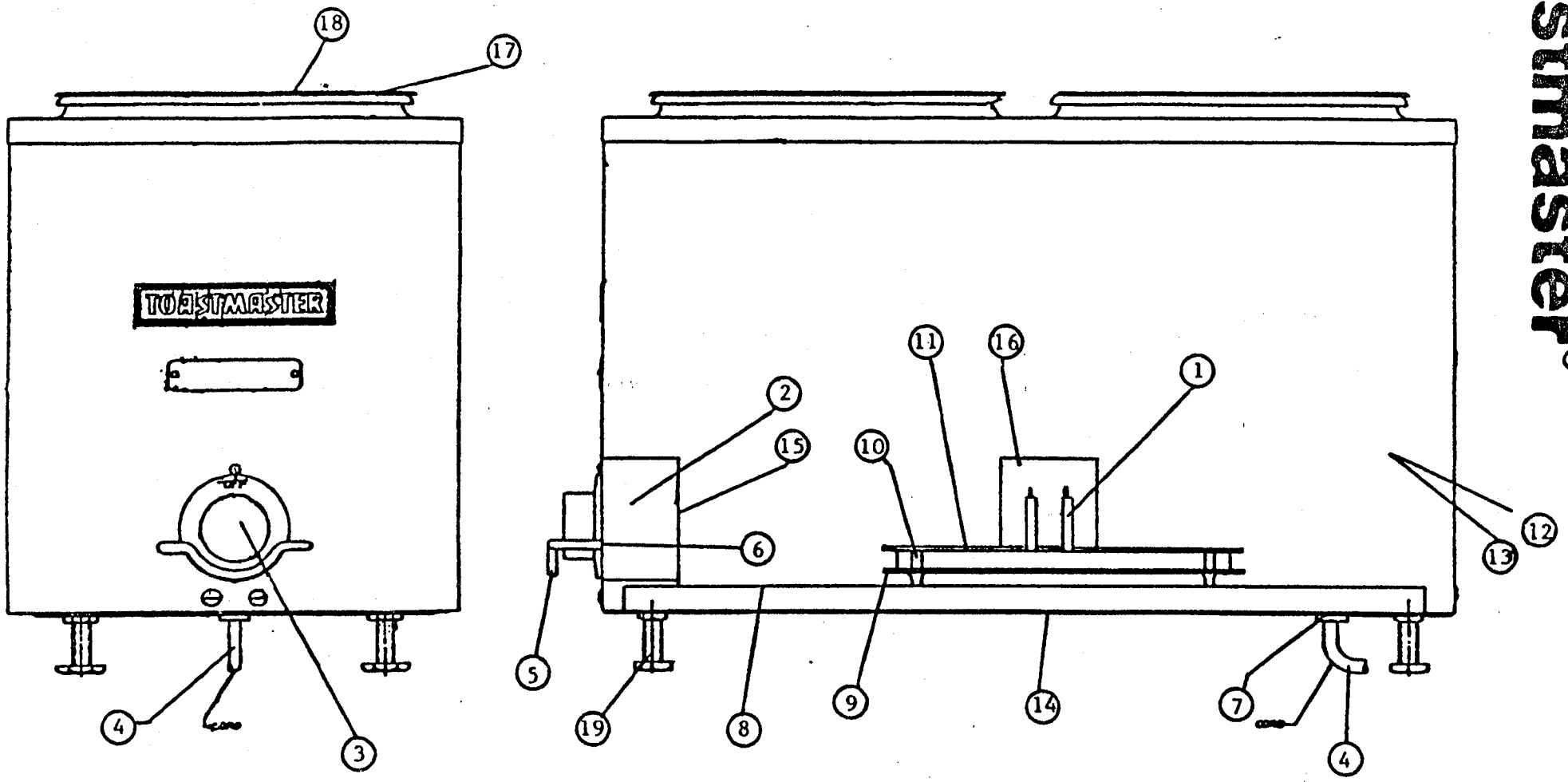


Toastmaster®



TOASTMASTER TWIN WELL FOOD WARMERMODEL #1511E

ITEM #	PART #	DESCRIPTION	QUANTITY	
			120V	220V
		- ELECTRICAL -		
1	B212E8707	Heating Element, 450W, 120V	1	-
1	B212E8727	Heating Element, 450W, 220V	-	1
2	1511E8709	Thermostat	1	1
3	A710E8773	Thermostat Knob	1	-
4	1511E0029	Cord & Plug - 120V	1	-
4	1511E0031	Cord & Plug - 220V	-	1
-	1511E8913	Wiring Diagram - 120V	1	-
-	1511E8915	Wiring Diagram - 220V	-	1
		- MECHANICAL -		
5	3A80A3007	Thermostat Knob Guard	1	
6	3A80A8809	Machine Screw - (Knob Guard)	2	
7	3B82D8735	Strain Relief - Cord	1	
8	1511E0009	Bottom Plate	1	
9	1511E0011	Reflector	1	
10	1511E7005	Spacer	4	
11	1511E7007	Baffle	1	
12	1511E0001	Outside Case	1	
13	1511E0007	Inside Case	1	
14	1511E0017	Bottom Cover	1	
15	1511E7011	Thermostat Cover	1	
16	1511E7013	Terminal Cover	1	
17	3103808	Insert Pot	2	
18	3103809	Insert Pot Cover	2	
19	A710E0105	Adjustable Leg	4	