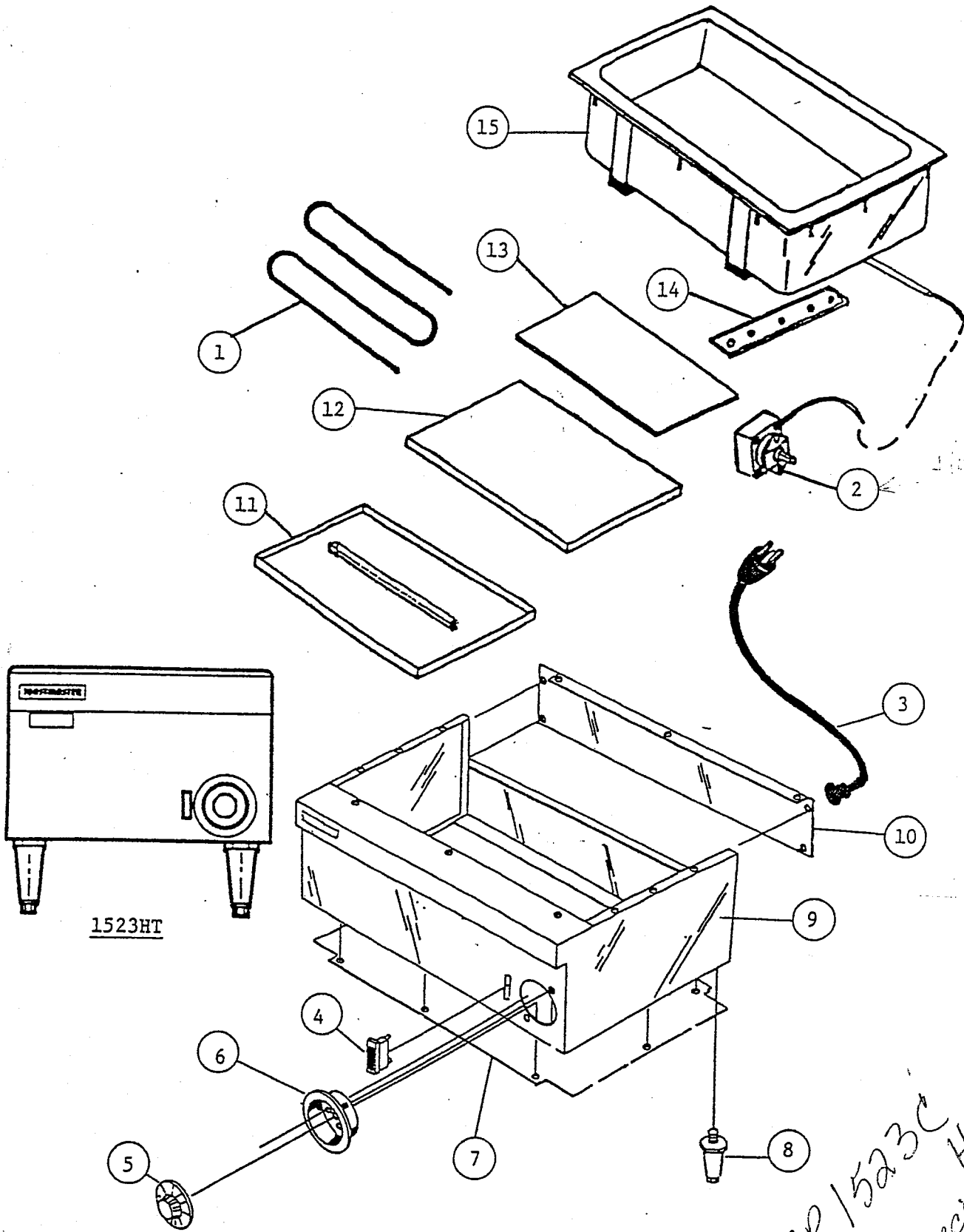


T-Line Hot Food Warmers

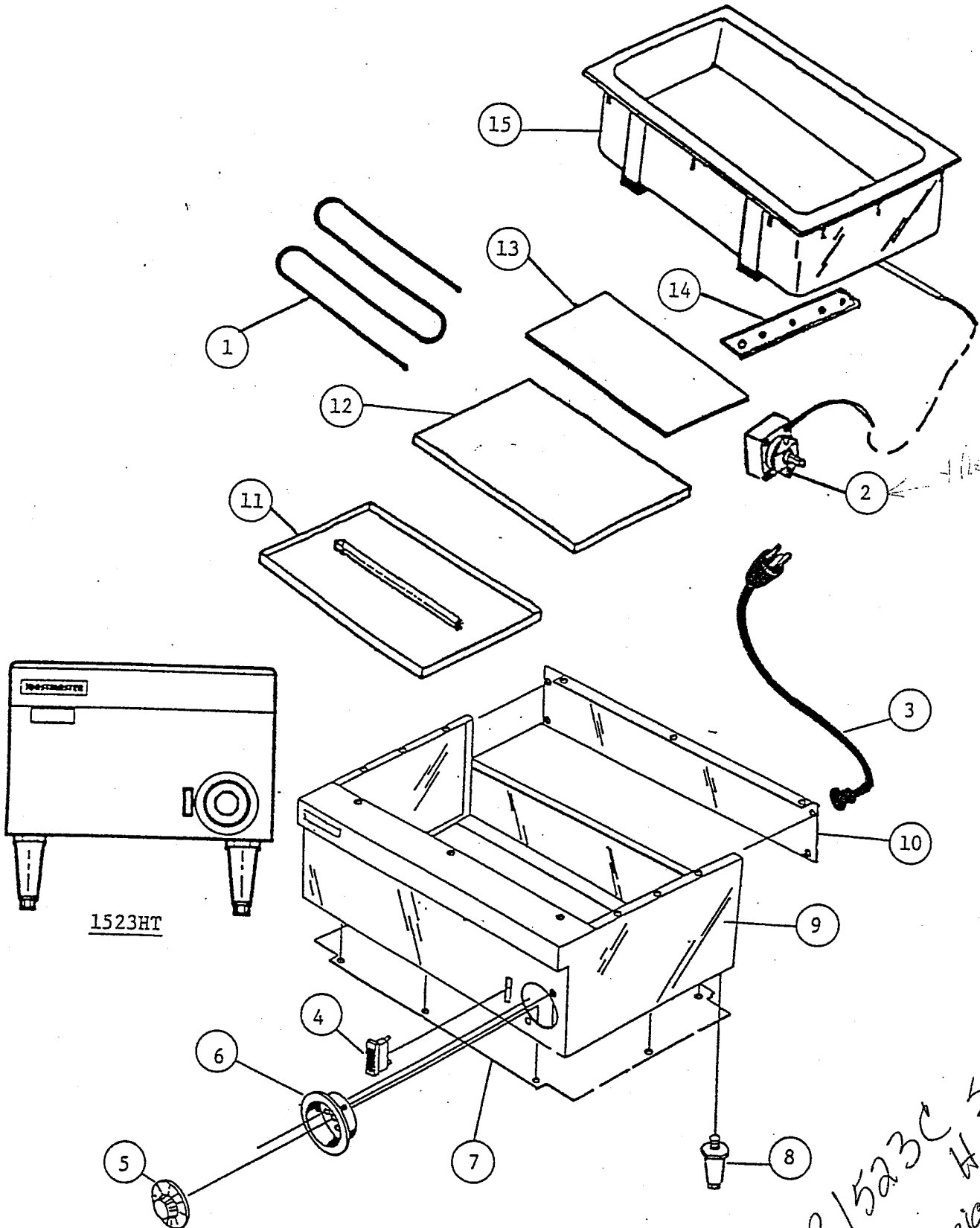


1523HT

1521HT + 1523HT

*SP 1523C Special Unit
Special Parts*

T-Line Hot Food Warmers



TOASTMASTER COUNTER FOOD WARMERS

MODELS 1521HT AND 1523HT

| ITEM # | PART # | DESCRIPTION | 1521HT QUANTITY | 1523HT QUANTITY |
|--------------|-----------|--|--------------------|--------------------|
| -ELECTRICAL- | | | | |
| 1 | 3001781 | Heating Element-1600W-120V | 1 | 1 |
| 1 | 3001792 | Heating Element-1600W-240V | 1 | 1 |
| 2 | 2662A8701 | Thermostat | 1 | 1 |
| 3 | 1511E0029 | Cord and Plug-120V | 1 | 1 |
| 3 | 1511E0031 | Cord and Plug-208/240V | 1 | 1 |
| 4 | 1433B8709 | Signal Light-Amber-120V | 1 | 1 |
| 4 | 1433B8701 | Signal Light-Amber-208/240V | 1 | 1 |
| N.S. | 8001248 | Wire Set - <i>used on later version with</i> | 1 | 1 |
| N.S. | 8001249 | Wiring Diagram <i>mercury stat.</i> | 1 | 1 |
| -MECHANICAL- | | | | |
| 5 | 2100087 | Control Knob | 1 | 1 |
| 6 | 1523B0001 | Control Mounting Cup | 1 | 1 |
| 7 | 1521B3017 | Case Bottom | 1 | |
| 7 | 1523B3019 | Case Bottom | | 1 |
| 8 | 1523B8301 | Leg - Individual | 4 | 4 |
| 9 | 7606035 | Case Assembly | | 1 |
| 9 | 1521B0005 | Case Assembly | 1 | |
| 10 | 1521B3007 | Upper Back | 1 | |
| 10 | 1523B3007 | Upper Back | | 1 |
| 11 | 7608964 | Clamp Plate-Heating Element | 1 | 1 |
| 12 | 8500265 | Insulation Cover | 1 | 1 |
| 13 | 7005889 | Plate-Heat Distribution | 1 | 1 |
| 14 | 7609533 | Clamp Bracket | 2 | 2 |
| 15 | 7606478 | Food Well Assembly | 1 | 1 |
| N.S. | 7005888 | Spacer | 4 | 4 |

N.S. - Not Shown

*1523 B90t
wire set
used on earlier
version with
Bi Metal ts stat*

To use 6-89 and later parts on pre 6-89 1521 and 1523 food wells, you need to use the following parts and mount the thermostat control cup upside down (with on-off arrow at 6 o'clock, not 12 o'clock)

| Item # | Part # | Description | Qty |
|--------|-----------|-------------------------|-----|
| 15 | 7606478 | Food Well Assy | 1 |
| 13 | 7005889 | Heat distribution plate | 1 |
| 12 | 8500265 | Insulation cover | 1 |
| 11 | 7608964 | Element clamp plate | 1 |
| 14 | 7609533 | Clamp bracket | 2 |
| 2 | 2662A8701 | Thermostat | 1 |
| 5 | 2100087 | Control knob | 1 |

TOASTMASTER COUNTER FOOD WARMERSModels 1521, 1521H, 1521HP, 1523, 1523H & 1523HP

| ITEM # | PART # | DESCRIPTION | QUANTITY |
|--------|-----------|--|----------|
| | | -ELECTRICAL- | |
| 1 | 3001781 | Heating Element-1600W-120V | 1 |
| 1 | 3001791 | Heating Element-1600W-208V | 1 |
| 1 | 3001792 | Heating Element-1600W-240V | 1 |
| 1 | 1523B8717 | Heating Element-1000W-120V | 1 |
| 1 | 1523B8719 | Heating Element-1000W-208V | 1 |
| 1 | 1523B8721 | Heating Element-1000W-240V | 1 |
| 2 | 15028721 | Infinite Switch-120V | 1 |
| 2 | 15028727 | Infinite Switch-208/240V | 1 |
| 3 | A710E8761 | Control Knob-Infinite Switch | 1 |
| 4 | 15028719 | Thermostat-High Limit | 2 |
| 5 | 1433B8709 | Signal Light-Amber-120V | 1 |
| 5 | 1433B8701 | Signal Light-Amber-208/240V | 1 |
| 6 | 15027009 | Wire Jumper-6" | 1 |
| 7 | 1511E0029 | Cord and Plug-120V | 1 |
| 7 | 1511E0031 | Cord and Plug-208/240V | 1 |
| | | -MECHANICAL- | |
| 8 | 7606478 | Food Well Assembly | 1 |
| 9 | 7606482 | Plate-Heat Distribution <i>7606482</i> | 1 |
| 10 | 15028803 | Machine Screw, #6-32 x 3/4" | 2 |
| 11 | E336A8807 | Washer, 5/32" I.D. x 3/8" O.D. | 2 |
| 12 | 7606483 | Clamp Plate-Heating Element | 1 |
| 13 | F716A8805 | Lockwasher, 1/4" Ext. | 9 |
| 14 | F706A8807 | Hex Nut-Brass 1/4-20 | 9 |
| 15 | 1523B0001 | Control Mounting Cup | 1 |
| 16 | 1429A8813 | Mach. Screw, #8-32 x 3/16", Round Head | 2 |
| 17 | B301A8829 | Lockwasher, #6 | 6 |
| 18 | B301A8831 | Hex Nut #6-32 | 2 |
| 19 | 1523B0003 | 4" Adjustable Legs-Set of Four | 1 |
| 20 | 1523B8301 | Leg-Individual | 4 |
| 21 | B301A8863 | Sheet Metal Screw, #8 x 3/8" | 4 |
| 22 | F707A8803 | Hex Nut #10-32 | 10 |
| 23 | 1112B3027 | Spacer-.150 | 10 |
| 24 | 3102207 | 1/6 Pan ("P" units only) | 6 |
| 25 | 3102208 | Lid-1/6 Pan ("P" units only) | 6 |
| 26 | 3102209 | Adaptor Bar("P" units only) | 1 |

T-Line Hot Food Warmers

LINERS MAY BE OBTAINED THROUGH SECO

