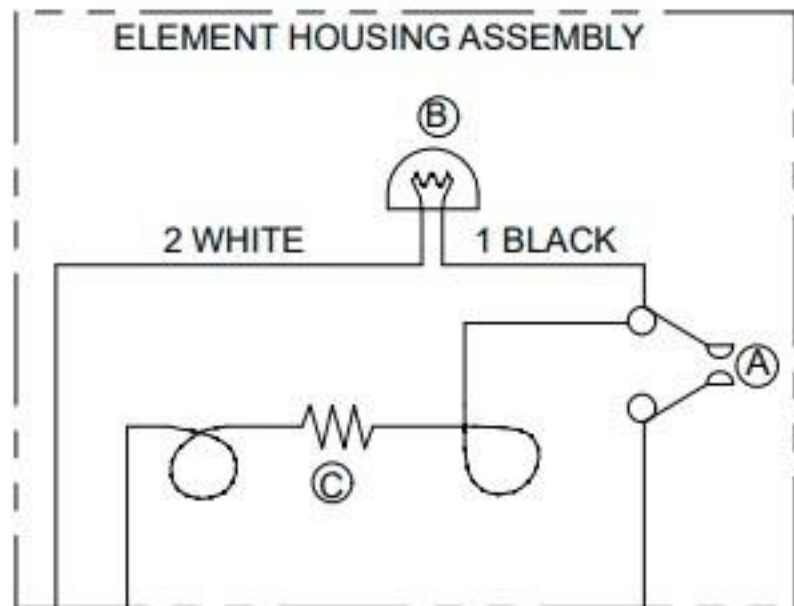


NOTE 1



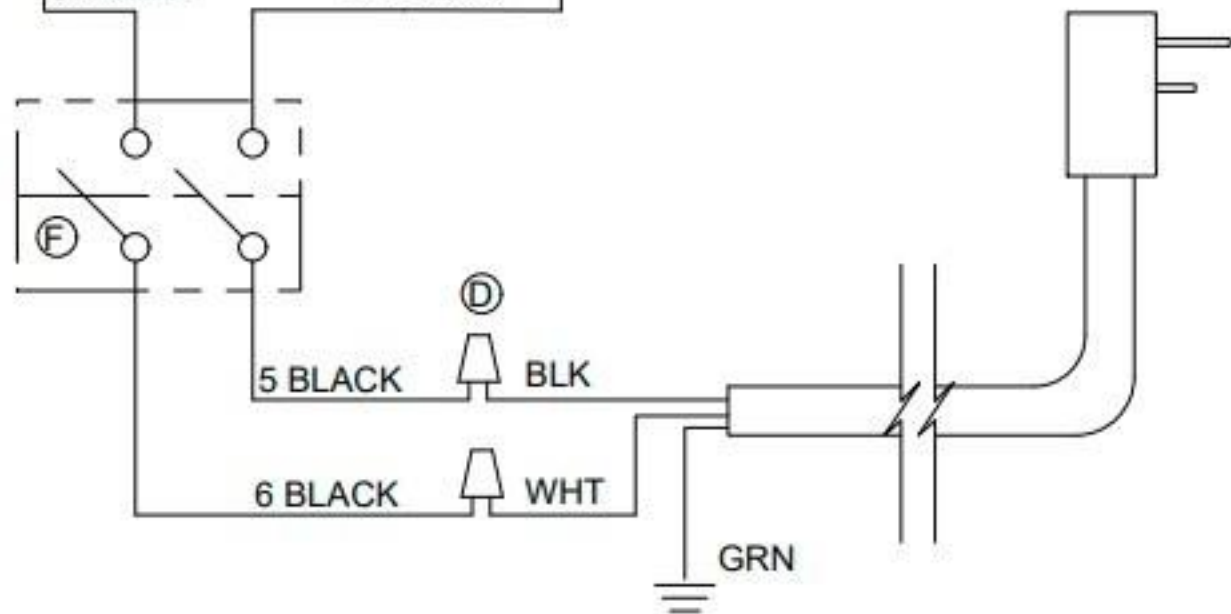
NOTES:

1. LOOKING TOWARDS REAR OF ELEMENT CONTROL ASSEMBLY.
2. LOOKING TOWARDS REAR OF THE SWITCH.

- (A) THERMOSTAT
- (B) PILOT LIGHT
- (C) HEATING ELEMENT
- (D) WIRE NUT (2)
- (E) HIGH LIMIT THERMOSTAT
- (F) ON-OFF SWITCH (2 POLE)

NOTE: ALL POWER WIRES ARE #12 GAUGE
NEMA PLUG NUMBER 6-30P
CORD: 12AWG/3, SJTO 105 C, 250V
CORDSET ASSY# E3-301044

NOTE 2



RATED
WATTAGE
4130
5500

SINGLE
PHASE
208V
240V

NOMINAL
AMPS
19.9
22.9