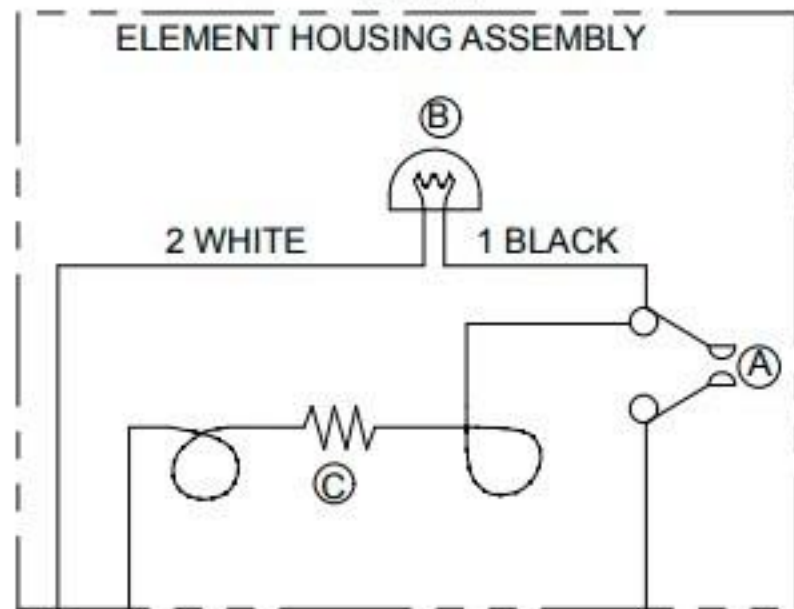


NOTE 1



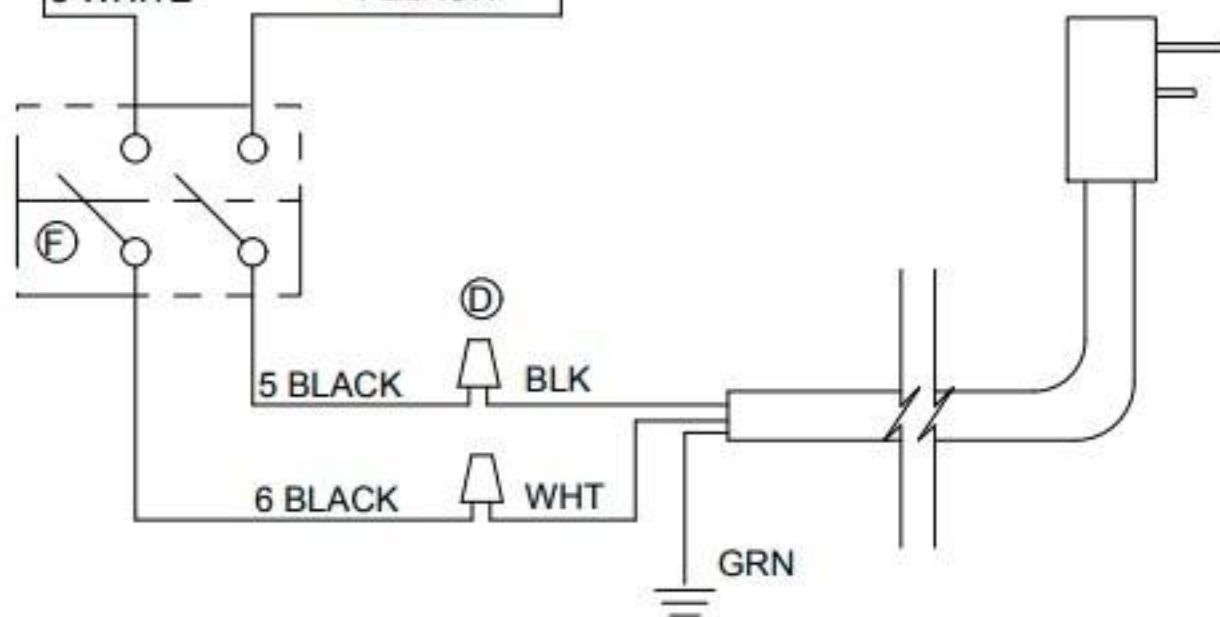
NOTES:

1. LOOKING TOWARDS REAR OF ELEMENT CONTROL ASSEMBLY.
2. LOOKING TOWARDS REAR OF THE SWITCH.

- (A) THERMOSTAT
- (B) PILOT LIGHT
- (C) HEATING ELEMENT
- (D) WIRE NUT (2)
- (E) HIGH LIMIT THERMOSTAT
- (F) ON-OFF SWITCH (2 POLE)

NOTE: ALL POWER WIRES ARE #12 GAUGE
NEMA PLUG NUMBER 6-30P
CORD: 12AWG/3, SJTO 105 C, 250V
CORDSET ASSY# E3-301044

NOTE 2



RATED WATTAGE	SINGLE PHASE	NOMINAL AMPS
4130	208V	19.9
5500	240V	22.9