

SOME ITEMS ARE INCLUDED FOR ILLUSTRATIVE PURPOSES ONLY AND IN CERTAIN INSTANCES MAY NOT BE AVAILABLE

STAR MANUFACTURING INTERNATIONAL, INC.

MODEL 301HLSMA

SK1618

REV. A

DATE: 01-06-03

DR: SDO

# PARTS LIST

EFFECTIVE 2/19/04 Rev. E

MODEL 30IHLSMA Star-Max Electric Counter Fryer

Key Number	Part Number	Number Per Unit	Description
1	<a href="#">2R-Y5092</a>	4	BLACK PLASTIC LEGS
2	<a href="#">2M-Z6222</a>	1	FACEPLATE (For the Superior Model order part <a href="#">2M-Z6377</a> )
3	<a href="#">2E-Y5166</a>	1	CIRCUIT BREAKER
4	<a href="#">2D-301007</a>	1	KETTLE ASSEMBLY
5	<a href="#">E3-Y7254</a>	1	PANEL-BACK
6	<a href="#">2C-2555</a>	8	NUT-ACORN
7	<a href="#">E3-Y5940</a>	2	LOWER ELEMENT CLAMP
8	<a href="#">E3-301043</a>	1	HANDLE-CLAMP ASSEMBLY
9	<a href="#">2C-H1578</a>	8	SCREW-8-32XI
10	<a href="#">E3-9280</a>	1	CLAMP-ELEMENT
11	<a href="#">2N-Z2920</a>	1	ELEMENT 5500 WATT
12	<a href="#">E3-9288</a>	2	BUSHING-SPLIT
13	<a href="#">2R-Z1299</a>	1	KNOB-THERM. (For the Superior Model order part <a href="#">2R-Z6379</a> )
14	<a href="#">E1-Z1390</a>	1	SWITCH GUARD
15	<a href="#">E3-Y7359</a>	1	BRACKET-THERMO
16	<a href="#">2R-9572</a>	1	KNOB-HARRY DAVIE
17	<a href="#">2A-301005</a>	1	RELEASE ROD ASSEMBLY
18	<a href="#">2P-9274</a>	1	SPRING-RELEASE
19	<a href="#">2A-Y1105</a>	2	PIN ROLL
20	<a href="#">2T-Z7268</a>	1	THERMOSTAT
21	<a href="#">E1-7363</a>	4	CLAMP-THERMOSTAT
22	<a href="#">E3-301059</a>	1	PILOT-LIGHT ASSEMBLY
23	<a href="#">2T-Z3209</a>	1	THERMOSTAT-SAFETY
24	<a href="#">2K-Y6764</a>	1	BUSHING-STRAIN
25	<a href="#">E3-301044</a>	1	CORD-ASSEMBLY
26	<a href="#">E3-9262</a>	1	BACK-ELEMENT HOUSING
27	<a href="#">E3-Y1621</a>	1	CLIP-GROUND
28	<a href="#">E3-7674</a>	2	ANGLE-CAPILLARY
29	<a href="#">2I-9277</a>	1	GASKET
30	<a href="#">E3-9276</a>	1	ARM-PAWL
31	<a href="#">2P-Y3453</a>	4	WIRE-SPACER
32	<a href="#">2P-5737</a>	6	CLIP-CAPILLARY
33	<a href="#">2B-301042</a>	1	BASKET, RIGHT
34	<a href="#">2B-301041</a>	1	BASKET, LEFT
35	<a href="#">E3-Y7255</a>	1	BOTTOM
36	<a href="#">2M-Z7219</a>	1	SIGN-STICKER

**IMPORTANT: WHEN ORDERING, SPECIFY VOLTAGE OR TYPE GAS DESIRED  
INCLUDE MODEL AND SERIAL NUMBER**

PAGE 1  
OF 1

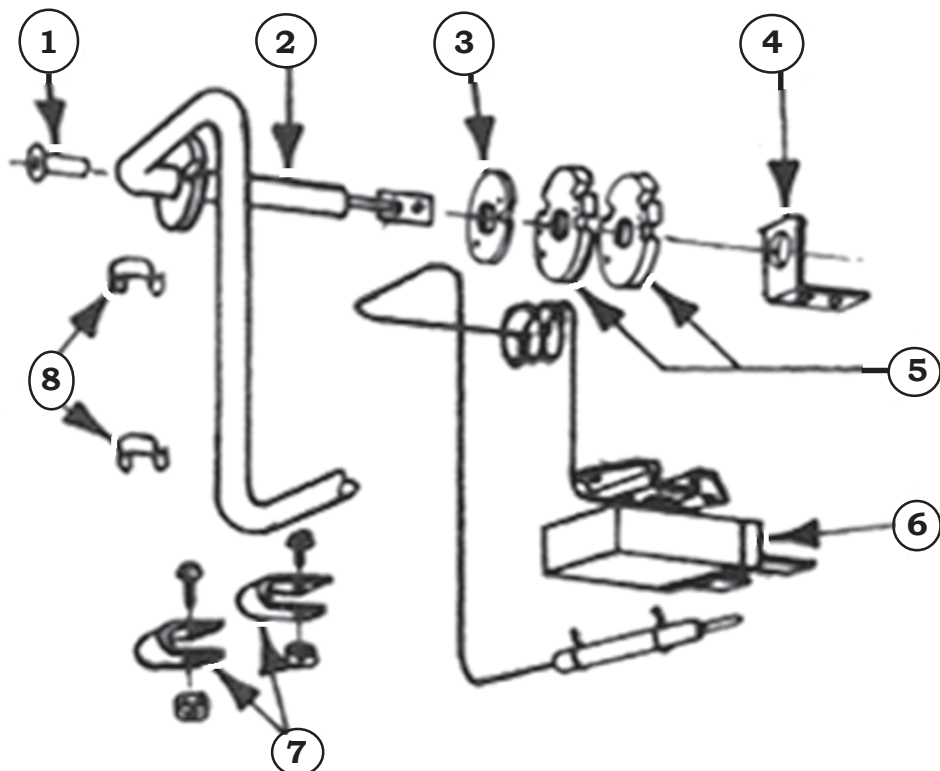
Some items are included for illustrative purposes only and in certain instances may not be available.



**Star Manufacturing International, Inc.**

MODEL 301 Series Head Assembly

Key Number	Part Number	Number Per Unit	Description
1	E3-9288	4	Bushing - Split
2	2N-Z2920	1	Element (208/240V)
3	E3-9269	2	Bearing - Pivot
4	E3-7674	2	Angle - Retainer
5	E3-9270	4	Plate - Element Support
6	2T-Z3209	1	Safety Thermostat
7	E1-7363	4	Clamp - Thermostat Bulb
8	2P-5737	4	Clip - Capillary Tube



IMPORTANT: WHEN ORDERING, SPECIFY VOLTAGE OR TYPE GAS DESIRED  
INCLUDE MODEL AND SERIAL NUMBER

Some items are included for illustrative purposes only and in certain instances may not be available.

