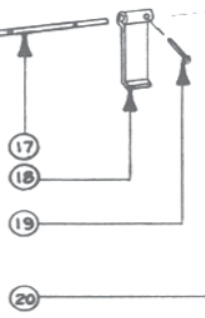
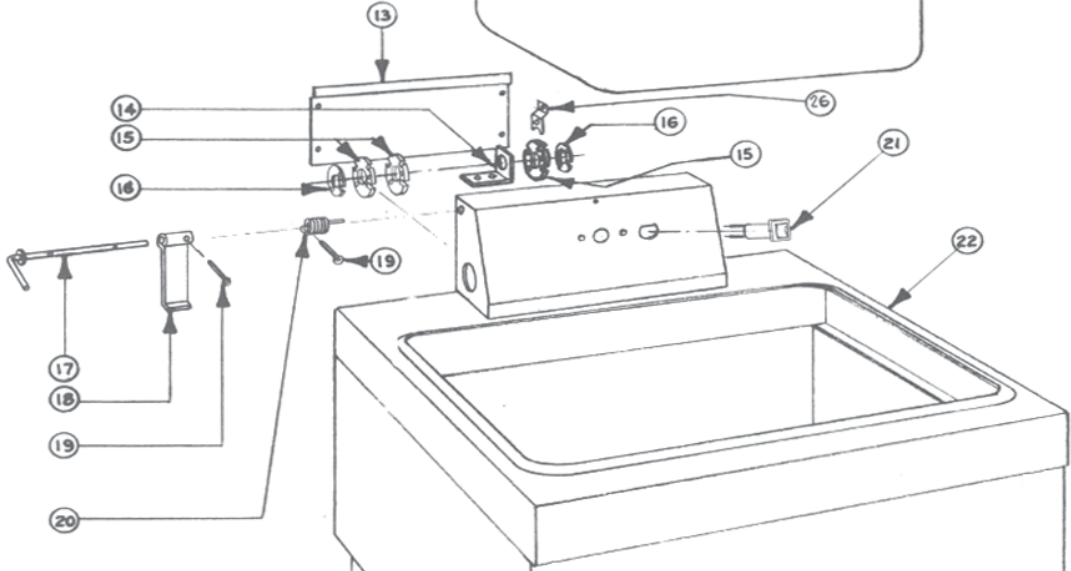
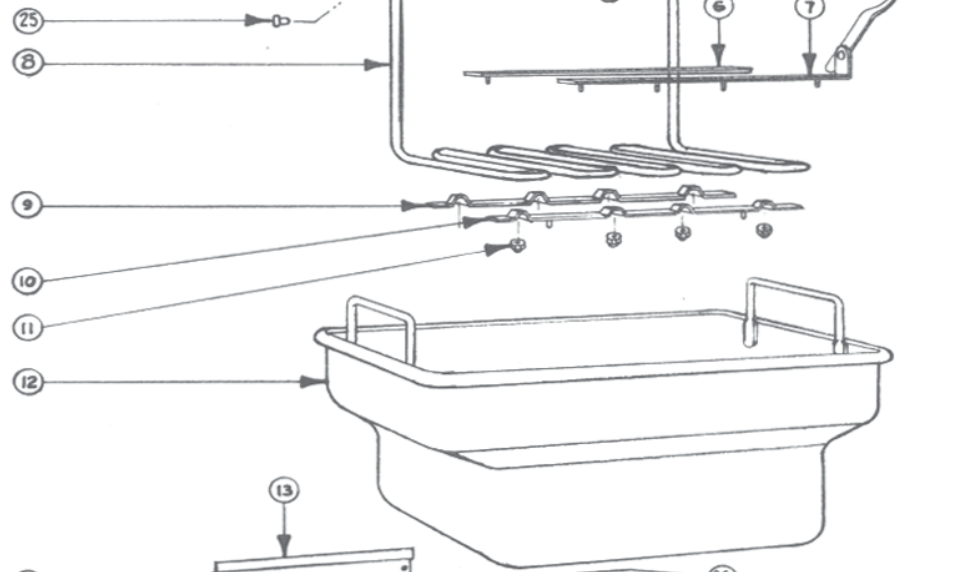
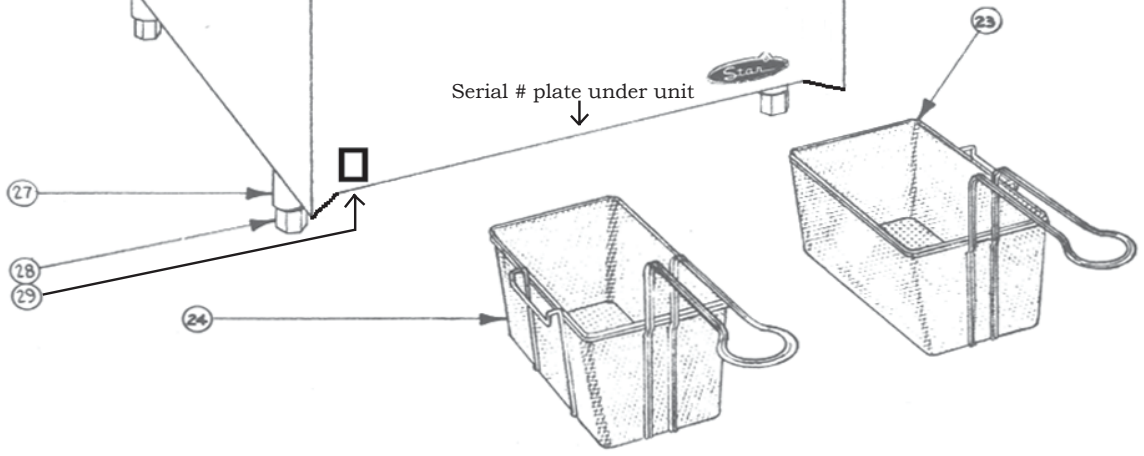


ADDITIONAL PARTS REQUIRED WHEN EQUIPPED WITH SAFETY THERMOSTAT.



Serial # plate under unit



# PARTS LIST

Effective 3-14-11

8E-301HLSM (30127177 & UP)			
Fig No	Part No	Qty	Description
1	2T-Z7268	1	Thermostat
	E3-Y7359	1	Bracket - Thermostat (not shown)
2	2R-9263	1	Knob, Thermostat
3	2P-5737	5	Clip, Capillary Tube
4	E1-7363	4	Clamp, Thermostat Bulb
	E3-Y3646	4	Wire - Spacer
5	E3-9288	2	Bushing - Split
6	E3-9280	1	Clamp - Element, Rear
7	E3-301043	1	Handle and Clamp Assembly
	E3-301034	1	Element Housing Complete w/Thermostat
8	2N-Z2920	1	Element, 208/240V
	1N-E2010		12 Ga. XLP NKL PLD CU
	2C-9744		Term- Ring, 12-10/#8
9,10	E3-Y5940	2	Lower Element Clamp
11	2C-2555	8	Nut, Acorn (8-32)
	2C-H1578	8	Screw (8-32 x 1)
12	2D-301007	1	Kettle Assembly
13	E3-9262	1	Back, Element Housing
	E3-Y7254	1	Panel - Back (not shown)
14	E3-7674	2	Angle - Retainer
15	E3-9270	3	Plate - Element Support
16	E3-9269	4	Bearing, Pivot
17	2A-301005	1	Release Rod Assembly
	2R-9572	1	Knob - Release Rod
18	E3-9276	1	Arm - Pawl
19	2A-Y1105	2	Pin - Roll
20	2P-9274	1	Spring - Release
21	Z1-301013	1	Pilot Light Assembly
22	E3-Y7267	1	Top Assembly
23	2B-301042	1	Basket Assembly, Right Hanger
24	2B-301041	1	Basket Assembly, Left Hanger
26	2P-Y1621	1	Clip - Ground
27,28	2R-Y5092	4	Leg - Black Plastic
29	2E-Y5166	1	Switch - Circuit Breaker (1990 to present)
	2R-8229	2	Shield - Switch (not shown)
31	2T-Z3209	1	Safety Thermostat (short bulb)
NI	E3-Y7253	1	Panel - Front, Vinyl (not shown)
	2K-Y6764	1	Bushing - Strain Relief (not shown)
	E3-301044	1	Cord Assembly (not shown)

