



**Star  
Manufacturing  
International Inc.**

10 Sunnen Dr.  
St. Louis, MO 63143

Phone: (314) 781-2777  
FAX: (314) 781-2714

## Accessory Instructions

2M-Z11569 Rev. A 3/25/2009

# Roller Grill Merchandiser

Protected by U.S. Pat 7,334,517

30RGDKB Only  
06/27/2012 BBE

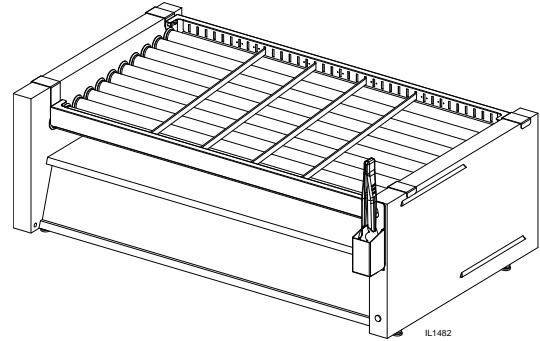
## Divider Installation (B Series)

These instructions are to add merchandiser dividers to your (*Stadium Seating*) Star Roller Grill. The unit does not need disassembling, but does need to have the power turned off and allowed to cool. Once completed, the Dividers will keep your product separate, but not touch the rollers.

**Tools Required:** NONE

**Contents:**

- Mounting Bracket - Short
- Mounting Bracket - Long
- 2 or 4 Dividers depending on application



### CAUTION

**UNPLUG UNIT BEFORE PROCEEDING.**

