

STAR MANUFACTURING INTERNATIONAL, INC.

DRAWING NO. SK1878 DATE: 1-20-02 800 SERIES

DR: SO

PARTS LIST

March 15, 2006, Rev. A

MODEL 848-LP Series Gas Griddles

Key Number	Part Number	Number Per Unit	Description and Model Designation
1	G5-Z4814	1	FLUE 848M/T/TS/TSCHS
2	G5-Z4817	1	FLUE DIVIDER 848M/T/TS/TSCHS
3	G5-848004	1	GRIDDLE PLATE ASSY COMPLETE 848M
3	G5-848005	1	GRIDDLE PLATE ASSY COMPLETE 848T/TS
3	G5-848006	1	GRIDDLE PLATE ASSY COMPLETE 848TSCHS
4	G5-Z4793	4	BULB CLAMP 848T/TS/TSCHS
5	G5-Z4794	4	BULB COVER 848T/TS/TSCHS
6	G5-Z4795	12	BULB SPRING 848T/TS/TSCHS
7	G5-Z4928	4	ORIFICE BRACKET 848M/T/TS/TSCHS
8	2F-Z4613	4	BURNER 848M/T/TS/TSCHS
9	G5-Z4800	1	SIDE BAFFLE RIGHT ALL 824/36/48/60/72
10	2A-Z4614	4	FOOT ALL 824/36/48/60/72
11	G5-824014	1	WASTE DRAWER ASSY ALL 824/836/848
11	G5-824014	2	WASTE DRAWER ASSY ALL 860/872
12	G5-Z4897	1	DRAWER GUIDE ALL 824/836/848
12	G5-Z4897	2	DRAWER GUIDE ALL 860/872
13	G5-Z4799	2	PILOT BAFFLE 848TS/TSCHS
14	G5-Z4798	3	BURNER BAFFLE 848M/T
14	G5-Z4798	1	BURNER BAFFLE 848TS/TSCHS
15	G5-Z4900	4	BURNER COVER 848M/T/TS/TSCHS
16	2A-9369	4	ORIFICE FITTING 848M/T/TS/TSCHS
17	2A-Z4930	4	ORIFICE NATURAL 848M/T
17	2A-Z4931	4	ORIFICE PROPANE 848M/T/TS/TSCHS
17	2A-Z5542	4	ORIFICE NATURAL 848TS/TSCHS
18	G5-Z4801	1	SIDE BAFFLE LEFT ALL 824/36/48/60/72
19	2M-Z4870	1	CONTROL GRAPHICS PANEL 848TS/TSCHS
20	2R-Z4997	4	KNOB 848M/T
	2R-Z8891	4	KNOB 848TS/TSCHS manuf. after 8/2005
	PS-Z9312	4	KNOB SERVICE KIT 848TS/TSCHS manuf. before 8/2005
21	G5-824012	1	CHUTE ASSEMBLY ALL 824/836/848
22	G5-848008	1	FRONT PANEL ASSEMBLY 848M/T
23	G5-848013	1	FRONT PANEL ASSEMBLY 848TS/TSCHS
24	2M-Z4868	1	CONTROL GRAPHICS PANEL 848M
24	2M-Z4869	1	CONTROL GRAPHICS PANEL 848T
25	G5-848007	1	BODY ASSEMBLY 848M/T/TS/TSCHS
26	VARIOUS	1	NAMEPLATE ALL
N/A	2J-Z4686	1	REGULATOR (5" AND 10") ALL M/T
N/A	2J-Z5541	1	REGULATOR (4" AND 10") ALL TS/TSCHS

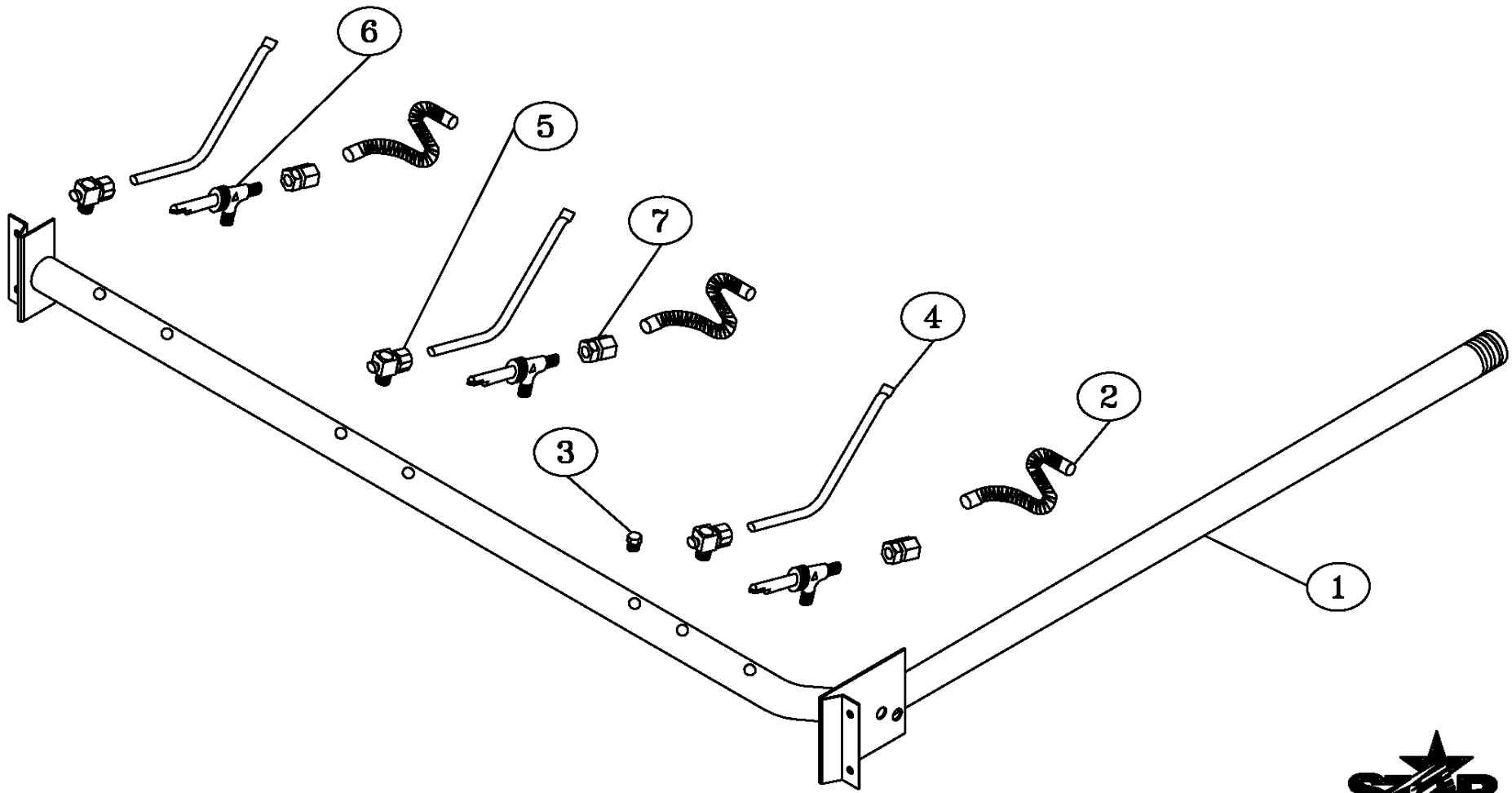
**IMPORTANT: WHEN ORDERING, SPECIFY VOLTAGE OR TYPE GAS DESIRED
INCLUDE MODEL AND SERIAL NUMBER**

PAGE 1
OF 1

Some items are included for illustrative purposes only and in certain instances may not be available.



Star Manufacturing International, Inc.



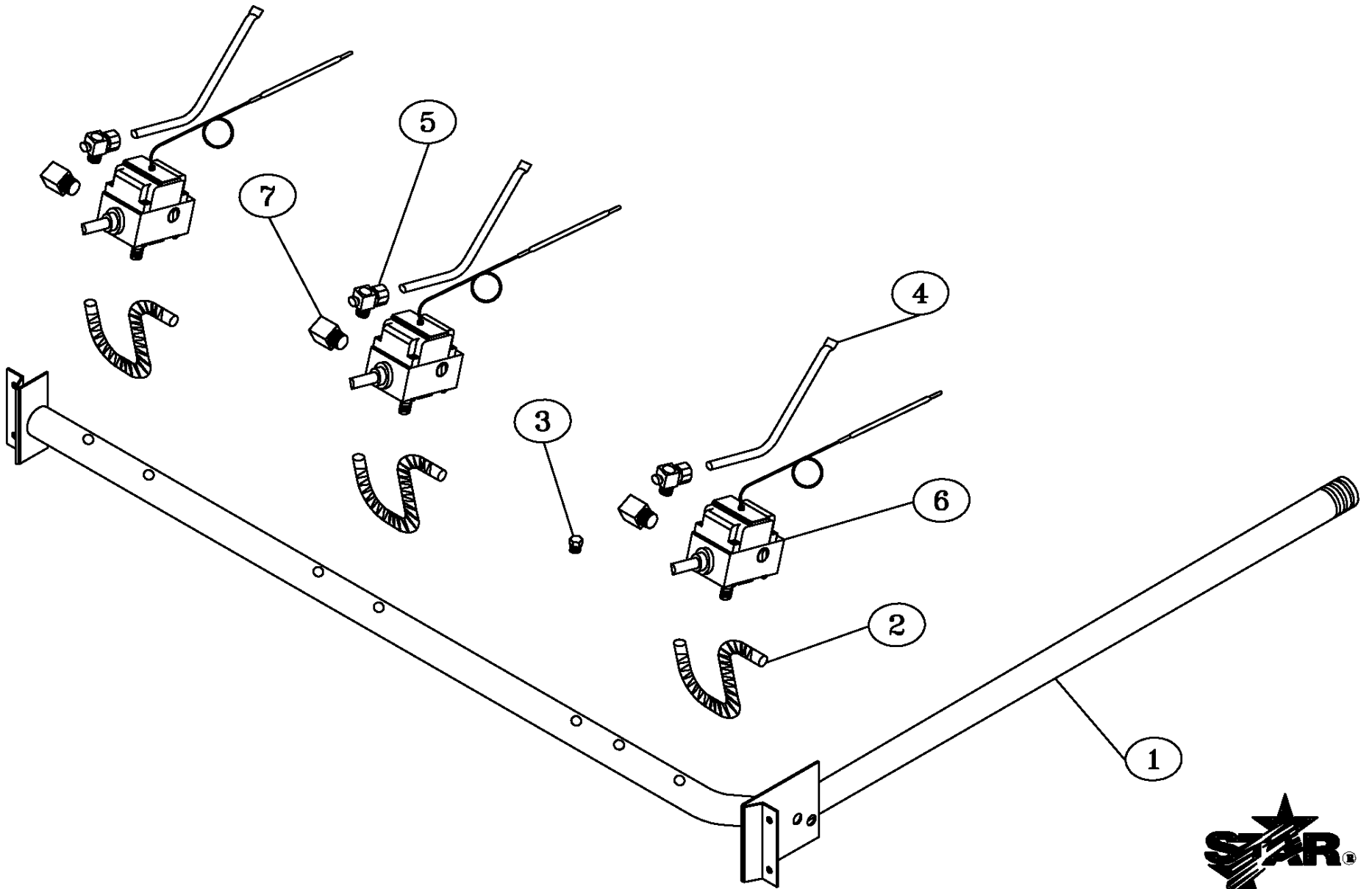
STAR MANUFACTURING INTERNATIONAL, INC.

DRAWING NO. SK1880

DATE: 1-20-02

MODEL: 800M SERIES

DR: SO



STAR MANUFACTURING INTERNATIONAL, INC.

DRAWING NO. SK1879

DATE: 1-20-02

MODEL: 800T SERIES

DR: SO

PARTS LIST

March 15, 2006, Rev. A

MODEL 800M and 800T Series Gas Griddles

Key Number	Part Number	Number Per Unit	Description and Model Designation
1	2K-Z4901	1	MANIFOLD 824M/T
	2K-Z4902	1	MANIFOLD 836M/T
	2K-Z4903	1	MANIFOLD 848M/T
	2K-Z4904	1	MANIFOLD 860M/T
	2K-Z4905	1	MANIFOLD 872M/T
2	2K-Z4921	2	BURNER FLEX TUBE 824M/T
		3	BURNER FLEX TUBE 836M/T
		4	BURNER FLEX TUBE 848M/T
		5	BURNER FLEX TUBE 860M/T
		6	BURNER FLEX TUBE 872M/T
		3	2P-1453
4	2V-Z4821	2	PILOT BURNER 824T
		3	PILOT BURNER 836T
		4	PILOT BURNER 848T
		5	PILOT BURNER 860T
		6	PILOT BURNER 872T
		2	PILOT BURNER 824M
	2V-Z4906	3	PILOT BURNER 836M
		4	PILOT BURNER 848M
		5	PILOT BURNER 860M
		6	PILOT BURNER 872M
		2	PILOT VALVE 824M/T
		3	PILOT VALVE 836M/T
		4	PILOT VALVE 848M/T
		5	PILOT VALVE 860M/T
5	2V-6671	6	PILOT VALVE 872M/T
		2	THROTTLING CONTROL 824T
		3	THROTTLING CONTROL 836T
		4	THROTTLING CONTROL 848T
		5	THROTTLING CONTROL 860T
		6	THROTTLING CONTROL 872T
6	2T-Z4823	2	MANUAL VALVE 824M
		3	MANUAL VALVE 836M
		4	MANUAL VALVE 848M
		5	MANUAL VALVE 860M
		6	MANUAL VALVE 872M
		2	MANUAL VALVE 824M
	2V-Y8832	3	MANUAL VALVE 836M
		4	MANUAL VALVE 848M
		5	MANUAL VALVE 860M
		6	MANUAL VALVE 872M
7	2A-Z0790	2	FITTING 3/8 CC X 3/8-27 824M
		3	FITTING 3/8 CC X 3/8-27 836M
		4	FITTING 3/8 CC X 3/8-27 848M
		5	FITTING 3/8 CC X 3/8-27 860M
		6	FITTING 3/8 CC X 3/8-27 872M
		2	FITTING 3/8 CC X 1/4 MPT 824T
	2K-Y7111	3	FITTING 3/8 CC X 1/4 MPT 836T
		4	FITTING 3/8 CC X 1/4 MPT 848T
		5	FITTING 3/8 CC X 1/4 MPT 860T
		6	FITTING 3/8 CC X 1/4 MPT 872T

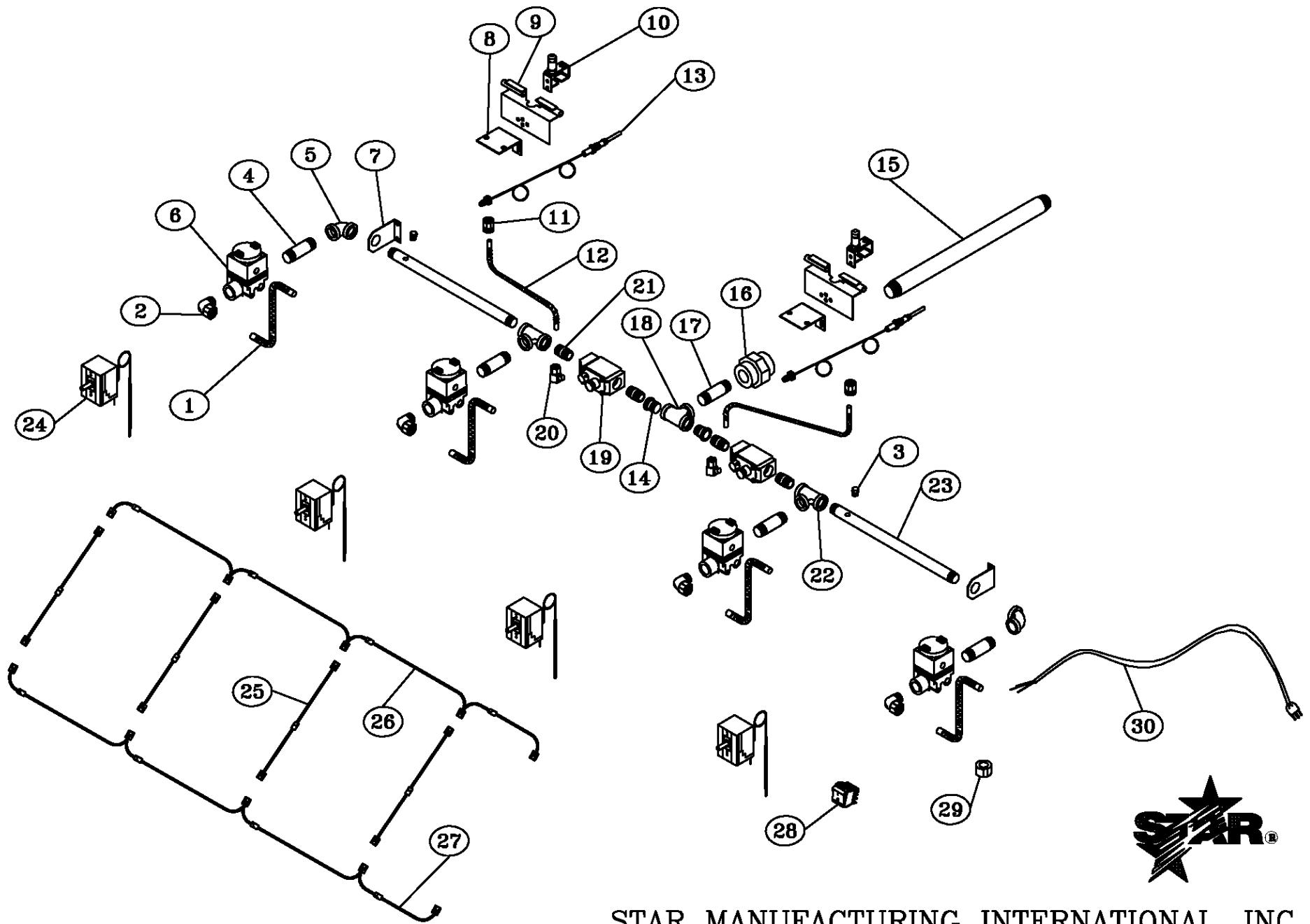
**IMPORTANT: WHEN ORDERING, SPECIFY VOLTAGE OR TYPE GAS DESIRED
INCLUDE MODEL AND SERIAL NUMBER**

PAGE 1
OF 1

Some items are included for illustrative purposes only and in certain instances may not be available.



Star Manufacturing International, Inc.



STAR MANUFACTURING INTERNATIONAL, INC.

DRAWING NO. SK1883

DATE 01-20-02

MODEL:

848TS AND 848TSCHS

DR: SO

PARTS LIST

March 15, 2006, Rev. A

MODEL **848TS-LP and 848TSCHS-LP Series**

Key Number	Part Number	Number Per Unit	Description and Model Designation
1	2K-Z4921	4	BURNER FLEX TUBE 848TS/TSCHS
2	2K-2675	4	FITTING 3/8 CC X 3/8 MPT 848TS/TSCHS
3	2P-1453	2	PIPE PLUG 848TS/TSCHS
4	2K-Y5550	4	NIPPLE 3/8 NPT X 1 1/2 848TS/TSCHS
5	2K-2665	2	ELBOW 3/8 NPT 848TS/TSCHS
6	2J-Z4610	4	SOLENOID VALVE 848TS/TSCHS
7	G5-Z4907	2	MOUNTING BRACKET 848TS/TSCHS
8	G5-824019	2	PILOT BRACKET ASSY 848TS/TSCHS
9	G5-824018	2	FLASH TUBE BRACKET ASSY 848TS/TSCHS
10	2J-Z4608	2	PILOT BURNER 848TS/TSCHS
11	2A-Y2017	2	PILOT ORIFICE 848TS/TSCHS
12	2K-Z4920	2	PILOT TUBE FLEX 848TS/TSCHS
13	2J-Z4609	2	THERMOCOUPLE 848TS/TSCHS
14	2K-Z4617	2	REDUCER BUSHING 848TS/TSCHS
15	2K-Z4616	1	INLET PIPE 848TS/TSCHS
16	2K-Z5033	1	UNION 848TS/TSCHS
17	2K-Z4618	1	NIPPLE 3/4 NPT X 2 1/4 848TS/TSCHS
18	2K-Z5034	1	3/4 NPT TEE 848TS/TSCHS
19	2J-Z4607	2	SAFETY VALVE 848TS/TSCHS
20	2V-6671	2	PILOT VALVE 848TS/TSCHS
21	2K-Y4403	4	CLOSE NIPPLE 3/8 NPT 848TS/TSCHS
22	2K-9688	2	TEE 3/8 NPT 848TS/TSCHS
23	2K-Z4612	2	NIPPLE WITH PRESSURE TAP 848TS/TSCHS
24	2T-Z7440	4	ELEC. THERMOSTAT manufactured after 8/2005 848TS/TSCHS
	PS-Z9318	4	THERMOSTAT SERVICE KIT manufactured before 8/2005 848TS/TSCHS
25	G5-824015	4	WIRE ASSEMBLY #1 848TS/TSCHS
26	G5-848017	1	WIRE ASSEMBLY 848TS "C" 848TS/TSCHS
27	G5-848016	1	WIRE ASSEMBLY 872TS "L" 848TS/TSCHS
28	2E-Z1858	1	SWITCH 848TS/TSCHS
29	2K-Y2967	1	CORD BUSHING 848TS/TSCHS
30	N2-30409	1	CORD SET 848TS/TSCHS

**IMPORTANT: WHEN ORDERING, SPECIFY VOLTAGE OR TYPE GAS DESIRED
INCLUDE MODEL AND SERIAL NUMBER**

PAGE 1
OF 1

Some items are included for illustrative purposes only and in certain instances may not be available.



Star Manufacturing International, Inc.