

REFER TO THE PARTS LIST SPECIFIC
TO YOUR MODEL FOR MORE DETAIL INFORMATION.

Model: 800 SERIES



STAR MANUFACTURING INTERNATIONAL, INC.

SK1878

REV B

3-30-09

PARTS LIST

February 28, 2012, Rev H

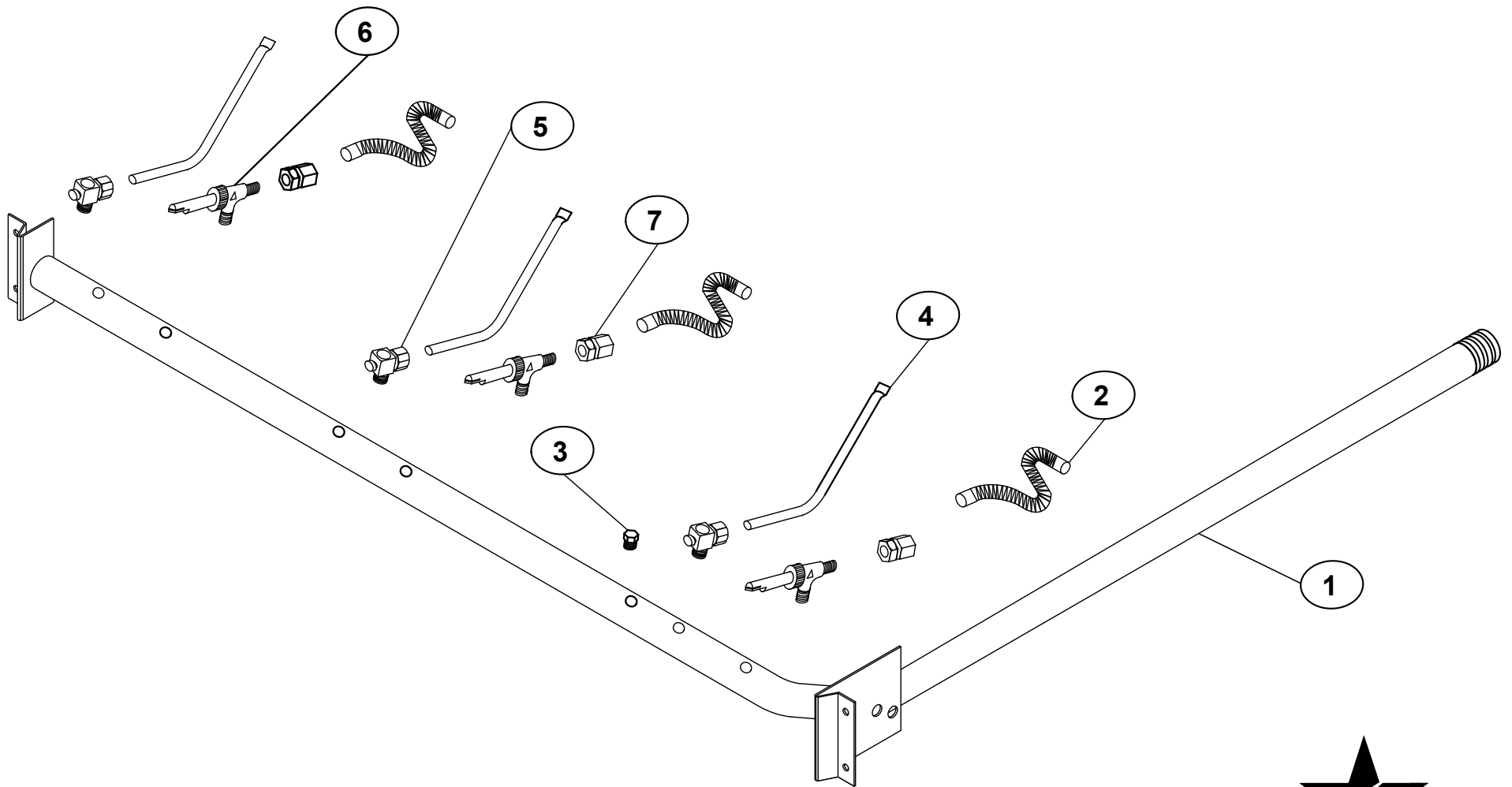
Ultra-Max Gas Griddle Models: 860M, 860T, 860TS, 860TCHS, 860TSCHS				
Fig. No	Part No.	Qty	Description	Application
1	G5-Z4815	1	FLUE	860M/T/TS/TSCHS
2	G5-Z4817	1	FLUE DIVIDER	860M/T/TS/TSCHS
3	G5-860004	1	GRIDDLE PLATE ASSY COMPLETE	860M
	G5-860005			860T/TS
	G5-860006			860TSCHS
4	G5-Z4793	5	BULB CLAMP	860T/TS/TSCHS
5	G5-Z4794	5	BULB COVER	860T/TS/TSCHS
6	2P-Z4795	15	BULB SPRING	860T/TS/TSCHS
7	G5-Z4927	5	ORIFICE BRACKET	860M/T/TS/TSCHS
8	2F-Z4613	5	BURNER	860M/T/TS/TSCHS
9	G5-Z4800	1	SIDE BAFFLE RIGHT	ALL 824/36/48/60/72
10	2A-Z4614	4	FOOT	ALL 824/36/48/60/72
11	G5-824014	2	WASTE DRAWER ASSY	ALL 860/872
12	G5-Z4897	2	DRAWER GUIDE	ALL 860/872
13	G5-Z4799	3	PILOT BAFFLE	860TS/TSCHS
14	G5-Z4798	4	BURNER BAFFLE	860M/T, 860TCHS
		1		860TS/TSCHS
15	G5-Z4900	5	BURNER COVER	860M/T/TS/TSCHS
16	2A-9369	5	ORIFICE FITTING	860M/T/TS/TSCHS
17	2A-Z4930	5	ORIFICE NATURAL (SIZE 41)	860M/T, 860TCHS
	2A-Z4931		ORIFICE PROPANE (SIZE 52)	860M/T/TS/TSCHS
	2A-Z5542		ORIFICE NATURAL (SIZE 37)	860TS/TSCHS
18	G5-Z4801	1	SIDE BAFFLE LEFT	ALL 824/36/48/60/72
19	2M-Z4871	1	CONTROL GRAPHICS PANEL	860M
	2M-Z4872			860T, 860TCHS
	2M-Z11996		OVERLAY 860TS	860TS/TSCHS
	2M-Z13275		860TSCHS-C	
20	2R-Z4997	5	KNOB	860M/T
	2R-Z8891			860TS/TSCHS manu. after 8/2005
	PS-Z9312		KNOB SERVICE KIT	860TS/TSCHS manu. before 8/2005
21	G5-824012	2	CHUTE ASSEMBLY	ALL 860/872
22	G5-860008	1	FRONT PANEL ASSEMBLY	860M/T, 860TCHS
23	G5-860025	1	FRONT PANEL ASSEMBLY	860TS/TSCHS
	G5-860027		FRONT PANEL ASSY 860TS	
24	G5-860007	1	BODY ASSEMBLY	860M/T/TS/TSCHS
25	2C-Z8547	5	SCREW, 6-32 SHOULDER, KNOB STOP	
26	2E-Z1858	1	SWITCH-TOGGLE 2P 2T	860TS, 860TSCHS
	PS-Z13373		ROCKER TO TOGGLE SWITCH KIT	
27	Z1-70-07-0343	1	SWITCH GUARD	860TS, 860TSCHS
28	2M-12-07-0038	1	LABEL ON & OFF	860TS, 860TSCHS
29	2I-05-07-0013	1	BOOT SWITCH	860TS, 860TSCHS
N/A	2J-Z4686	1	REGULATOR (5" NAT. AND 10" LP)	ALL M/T, 860TCHS
N/A	2J-Z5541	1	REGULATOR (4" NAT. AND 10" LP)	ALL TS/TSCHS
N/A	2C-Z8547	AR	BOLT, KNOB STOP	
N/A	2A-Z13272	10	KNOB GUARD	860TSCHS-C

**IMPORTANT: WHEN ORDERING, SPECIFY VOLTAGE OR TYPE GAS DESIRED
INCLUDE MODEL AND SERIAL NUMBER**

PAGE 1
OF 1

Some items are included for illustrative purposes only and in certain instances may not be available.





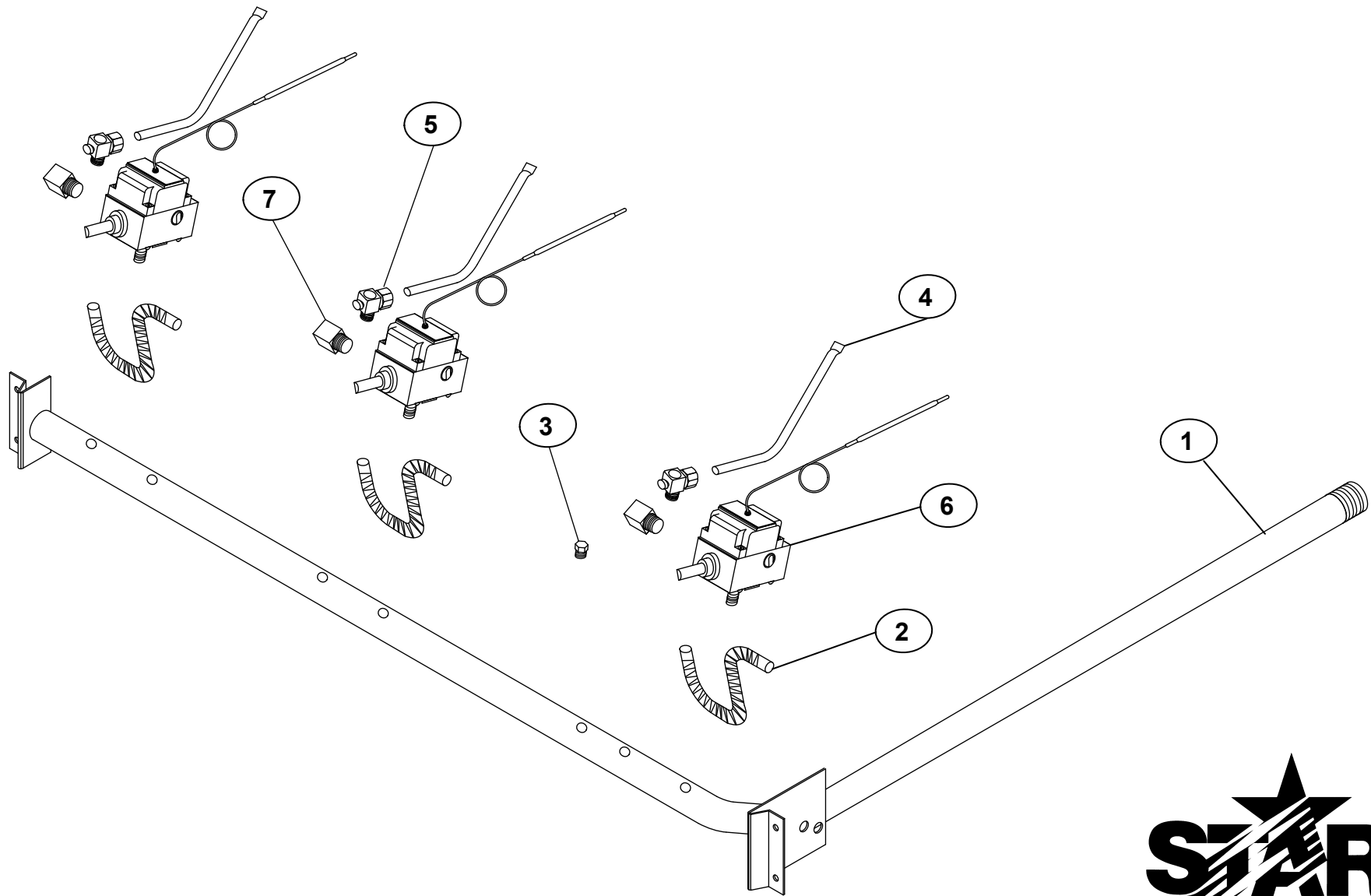
MODEL: 800M SERIES

STAR MANUFACTURING INTERNATIONAL, INC.

SK1880

Rev. -

1-20-02



MODEL: 800T SERIES

STAR MANUFACTURING INTERNATIONAL, INC.

SK1879

Rev. -

1-20-02

PARTS LIST

October 24, 2011, Rev H

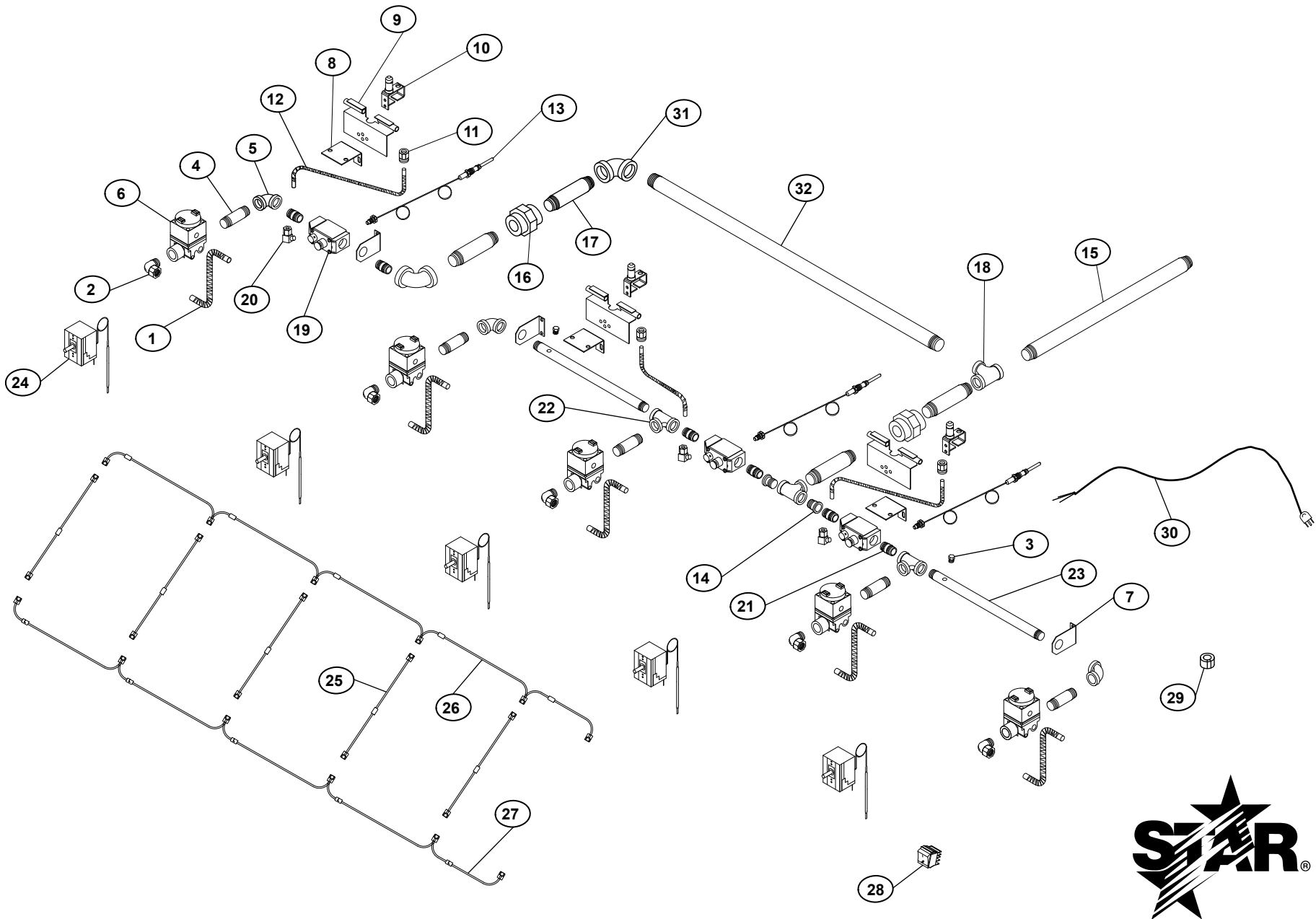
MODEL 800M and 800T Series

Key Number	Part Number	Number Per Unit	Description	Model	
1	2K-Z4901	1	MANIFOLD	824M/T	
	2K-Z4902	1	MANIFOLD	836M/T	
	2K-Z4903	1	MANIFOLD	848M/T	
	2K-Z4904	1	MANIFOLD	860M/T	
	2K-Z4905	1	MANIFOLD	872M/T	
2	2K-Z4921	2	BURNER FLEX TUBE	824M/T	
		3	BURNER FLEX TUBE	836M/T	
		4	BURNER FLEX TUBE	848M/T	
		5	BURNER FLEX TUBE	860M/T	
		6	BURNER FLEX TUBE	872M/T	
3	2P-1453	1	PIPE PLUG	ALL M/T	
4	2V-Z4821	2	PILOT BURNER	824T	
		3	PILOT BURNER	836T	
		4	PILOT BURNER	848T	
		5	PILOT BURNER	860T	
		6	PILOT BURNER	872T	
		2V-Z4906	2	PILOT BURNER	824M
		3	PILOT BURNER	836M	
		4	PILOT BURNER	848M	
		5	PILOT BURNER	860M	
		6	PILOT BURNER	872M	
	5	2V-6671	2	PILOT VALVE	824M/T
			3	PILOT VALVE	836M/T
4			PILOT VALVE	848M/T	
5			PILOT VALVE	860M/T	
6			PILOT VALVE	872M/T	
6			2T-Z4823	2	THROTTLING CONTROL
	3	THROTTLING CONTROL		836T	
	4	THROTTLING CONTROL		848T	
	5	THROTTLING CONTROL		860T	
	6	THROTTLING CONTROL		872T	
	2V-Y8832	2		MANUAL VALVE	824M
		3	MANUAL VALVE	836M	
		4	MANUAL VALVE	848M	
		5	MANUAL VALVE	860M	
		6	MANUAL VALVE	872M	
	7	2A-Z0790	2	FITTING 3/8 CC X 3/8-27	824M
			3	FITTING 3/8 CC X 3/8-27	836M
4			FITTING 3/8 CC X 3/8-27	848M	
5			FITTING 3/8 CC X 3/8-27	860M	
6			FITTING 3/8 CC X 3/8-27	872M	
2K-Y7111			2	FITTING 3/8 CC X 1/4 MPT	824T
		3	FITTING 3/8 CC X 1/4 MPT	836T	
		4	FITTING 3/8 CC X 1/4 MPT	848T	
		5	FITTING 3/8 CC X 1/4 MPT	860T	
		6	FITTING 3/8 CC X 1/4 MPT	872T	

**IMPORTANT: WHEN ORDERING, SPECIFY VOLTAGE OR TYPE GAS DESIRED
INCLUDE MODEL AND SERIAL NUMBER**

PAGE 1
OF 1

Some items are included for illustrative purposes only and in certain instances may not be available.



MODEL: 860TS AND 860TSCHS

STAR MANUFACTURING INTERNATIONAL, INC.

SK1882

Rev.-

01-24-02



PARTS LIST

October 24, 2011, Rev H

MODEL 860TS and 860TSCHS Series

Key Number	Part Number	Model	Number Per Unit	Description
1	2K-Z4921	860TS/TSCHS	5	BURNER FLEX TUBE
2	2K-2675	860TS/TSCHS	5	FITTING 3/8 CC X 3/8 MPT
3	2P-1453	860TS/TSCHS	2	PIPE PLUG
4	2K-Y5550	860TS/TSCHS	5	NIPPLE 3/8 NPT X 1 1/2
5	2K-2665	860TS/TSCHS	3	ELBOW 3/8 NPT
6	2J-Z4610	860TS/TSCHS	5	SOLENOID VALVE
7	G5-Z4907	860TS/TSCHS	3	MOUNTING BRACKET
8	G5-824019	860TS/TSCHS	3	PILOT BRACKET ASSY
9	G5-824018	860TS/TSCHS	3	FLASH TUBE BRACKET ASSY
10	2J-Z4608	860TS/TSCHS	3	PILOT BURNER
11	2A-Y2017	860TS/TSCHS	3	PILOT ORIFICE
12	2K-Z4920	860TS/TSCHS	3	PILOT TUBE FLEX
13	2J-Z4609	860TS/TSCHS	3	THERMOCOUPLE
14	2K-Z4617	860TS/TSCHS	3	REDUCER BUSHING
15	2K-Z5032	860TS/TSCHS	1	INLET PIPE
16	2K-Z5033	860TS/TSCHS	2	UNION
17	2K-Z4618	860TS/TSCHS	4	NIPPLE 3/4 NPT X 2 1/4
18	2K-Z5034	860TS/TSCHS	2	3/4 NPT TEE
19	2J-Z4607	860TS/TSCHS	3	SAFETY VALVE
20	2V-6671	860TS/TSCHS	3	PILOT VALVE
21	2K-Y4403	860TS/TSCHS	6	CLOSE NIPPLE 3/8 NPT
22	2K-9688	860TS/TSCHS	2	TEE 3/8 NPT
23	2K-Z4612	860TS/TSCHS	2	NIPPLE WITH PRESSURE TAP
24	2T-Z7440	824TS/TSCHS	5	THERMOSTAT
	PS-Z9318	824TS/TSCHS		THERMOSTAT SERVICE KIT manuf. before 8/2005
25	G5-824015	860TS/TSCHS	5	WIRE ASSEMBLY #1
26	G5-860017	860TS/TSCHS	1	WIRE ASSEMBLY 860TS "C"
27	G5-860016	860TS/TSCHS	1	WIRE ASSEMBLY 860TS "L"
28	2E-Z1858	860TS/TSCHS	1	SWITCH
29	2K-Y2967	860TS/TSCHS	1	CORD BUSHING
30	N2-30409	860TS/TSCHS	1	CORD SET 6' LONG
31	2K-Z4611	860TS/TSCHS	2	ELBOW 3/4 NPT
32	2K-Z5035	860TS/TSCHS	1	NIPPLE 3/4 NPT X 22 1/2

**IMPORTANT: WHEN ORDERING, SPECIFY VOLTAGE OR TYPE GAS DESIRED
INCLUDE MODEL AND SERIAL NUMBER IMPORTANT:**

PAGE 1

Some items are included for illustrative purposes only and in certain instances may not be available.

OF 1



Star International Holdings Inc. Company