



**Star
Manufacturing
International Inc.**

10 Sunnen Dr.
St. Louis, MO 63143

Phone: (314) 781-2777
FAX: (314) 781-3636

**Installation
and
Operating
Instructions**

2M-Z1187 Rev. - 3/26/97

BELGIAN WAFFLE BAKER B510

Model# B510



INSTALLATION AND OPERATING INSTRUCTIONS



RELEASE AGENT CAUTION

If you find it necessary to use a release agent to keep waffles from sticking, you should NEVER spray directly onto the grids. Release agents should always be brushed on because spraying will oversaturate the grids and the excess has the possibility of building up inside the baker and causing damage to the baker. Spraying also uses far too much release agent and is much more expensive than brushing on release agent. If you only have a spray type release agent, then spray into a container and use the contents with a pastry brush.

INSTALLATION

For your protection, we recommend that a qualified electrician install this appliance. The electrician should be familiar with electrical installations and your local electrical requirements. Proper connections and power supply are essential for efficient performance. The supply circuit should be properly fused as required by local electrical code.

Plug the unit into a proper voltage A.C. only wall outlet. A three prong plug is provide with the unit. If an adapter is used be sure a good ground is provided.

LOAD

The rated load is on the nameplate. The line in the wall outlet must be heavy enough to carry this load, or the waffle baker will be slow in performance.

TREATED GRIDS

Grids are treated with a special process to prevent sticking, but it is advisable to give them additional treatment as follows:

OPERATING PROCEDURE

TO BREAK IN WAFFLE GRIDS

Turn the power on and when the left side pilot light goes out the unit is up to proper

temperature. Now take a pastry brush and spread vegetable oil, butter, or grid release agent on both grids. The waffle baker should then be closed for five to ten minutes. The baker is now ready for use. For proper release of waffles it is very important that the batter contains the proper amount of shortening.

MAKING WAFFLES

Once the baker is up to proper temperature and the left side pilot light has gone off at least one time, you can proceed as follows:

1. Preset timer to 4 minutes for B510 (all times dependant on mix type and temperature).
2. Pour in mix and close the top grid and wait 10 seconds.
3. Rotate grid 180 degrees clockwise.
4. Set timer to desired time
5. When timer indicates time is finished rotate the grid assembly 180 degrees counterclockwise, open the grid and remove the waffle
6. For next waffle repeat steps 2-5.

NOTE: During long slack periods of the day, turn of the baker. During short slack periods, leave grids closed. The pilot light will go on and off while idling, indicating that the baker is maintaining a uniform temperature. A Belgian waffle batter should be thinner than a regular waffle batter mix. Do not store batter in the refrigerator and expect the same speed in baking. Cold batter will be slower in baking. On bakers that do not have teflon coated grids: In order to remove carbon from the grids, disconnect waffle baker from current, place cloth over the bottom grid, soak with ammonia, close the lid, and leave over night. Then clean off the residue and season the grids as described above. This should not be done on teflon-coated grids. If buildup persists, you can order a grid cleaning kit which will remove even the heaviest carbon buildup.

CORD PLUG AND GROUNDING INSTRUCTIONS

For your protection, this appliance is equipped with a 3 conductor load cord, having a grounding type plug. If you use an adaptor be sure your system is grounded. Then connect the green wire to a mounting screw of the receptacle. For

ungrounded systems, attach the green adaptor to a known permanent ground.

CLEANING

Clean outside of baker every day that it is in use. Do not clean grids unless a buildup of carbon forms. On bakers that do NOT have teflon coated grids, in order to remove carbon from grids, disconnect waffle baker from current, place cloth over bottom grid, soak with ammonia, close lid and leave over night. Next day, wire brush top and bottom grids to remove carbon. Then heat and season grids. This should not be done on teflon coated grids. If you use a commercial carbon remover, make sure it is safe for aluminum. To keep carbon from building up do not use a spray grid release but one that you can use with a pastry brush.

MAINTENANCE AND REPAIRS

Contact the factory or one of its representatives or a local service company for service or maintenance if required.

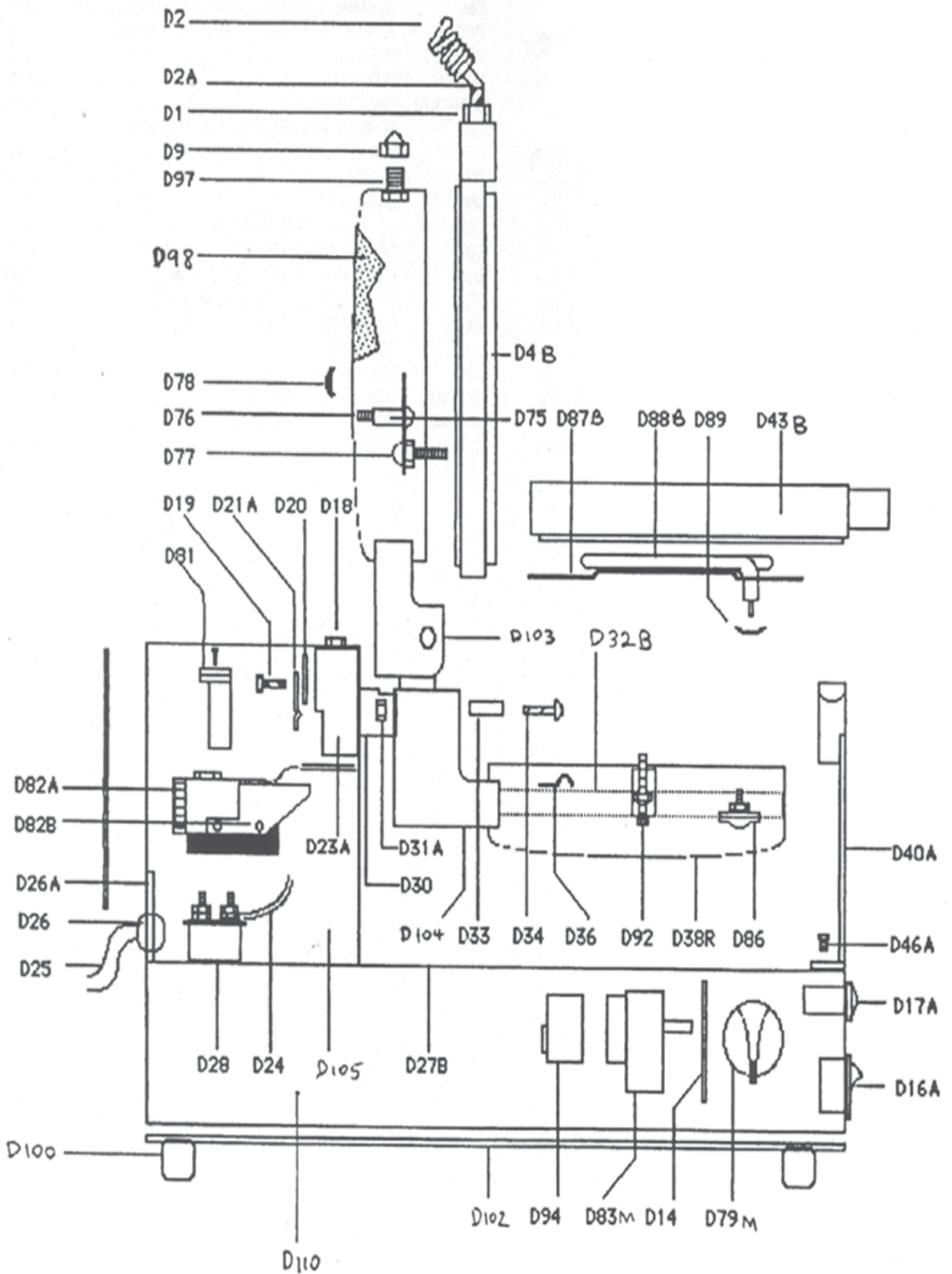
RETAIN THIS MANUAL FOR FUTURE REFERENCE

Part No. 2M-Z1187

Rev. - 3/26/97

WAFFLE BAKER
TROUBLE SHOOTING GUIDE

TROUBLE	CAUSE	REMEDY
Bakes waffle too slow	Mix or batter too cold - just out of refrigerator	Allow mix to come to room temperature before baking
	Temperature set too low	Adjust thermostat or replace thermostat grid. Thermostat should be 400 to 420 after 2 cycles with grids open
	Line voltage too low	Have line voltage checked
Pilot light does not go on or unit does not heat	Defective pilot light switch or defective switch	Replace pilot light or switch
	Defective cord or defective internal wire	Check cord and wiring -- replace if necessary
Waffle sticks to grids	Grids not seasoned correctly	Season grids with cooking oil
	Mix or batter not a good mix	Experiment with different mix. Add some shortening to mix.
Waffle not complete	Batter too thick or too cold	Add more liquid (same liquid as original) to thin batter.



MODEL **9B-B510**

Key Number	Part Number	Number Per Unit	Description
D1	Unknown - NLA	1	Handle Lock Nut
D2	B9-70-WB-0009	1	Spring Handle
D2A	B9-70-WB-0067	1	Rod for Spring Handle
D4B	B9-30-WB-0038	1	Top Grid
D9	Unknown - NLA	1	Large Acorn Nut
D12	Unknown - NLA	1	Knob - Bell Timer
D14	Unknown - NLA	1	Decal - Bell Timer
D14A	2C-09-WB-0005	1	Bezel - Bell Timer
D15	2P-09-WB-0007	1	Bell Timer
D16A	2E-Y6144	1	On/Off Switch
D17A	B9-50-WB-0076	1	Pilot Light (120V)
D18	Unknown - NLA	1	Screw for Brass Housing
D19	Unknown - NLA	1	Screw for Clamp Pad
D20	B9-04-WB-0046	1	Clamp Pad
D21A	B9-04-WB-0056	1	Bronze Tension Pad
D23A	Unknown - NLA	1	Brass Housing
D24	B9-04-WB-0009	3	Special High Heat Wire (per foot)
D26	B9-04-WB-0046	1	Cord Clamp
D26A	Unknown - NLA	1	Plate for Cord Grommet
D28	2Z-50-07-0210	1	Terminal Assembly
D29A	B9-30-WB-0097	1	Back Frame Assembly
D30A	B9-70-WB-0050	1	Tubular Hinge
D31A	Unknown - NLA	1	Nut
D32B	B9-04-WB-0054	1	Support Bar
D33	Unknown - NLA	1	High Heat Rubber Wire Protector
D34	Unknown - NLA	1	Screw
D36	B9-04-WB-0046	1	Clamp
D38C	Unknown - NLA	1	Grid Housing, Top & Bottom
D40A	B9-30-WB-0096	1	Flat Yoke
D43B	2F-01-WB-0004	1	Bottom Grid
D46A	Unknown - NLA	1	Bolt for Yoke
D75	B9-30-WB-0105	1	Spacer
D76	Unknown - NLA	1	Screw with Point
D77	Unknown - NLA	1	Locating Screw
D78	2P-09-WB-0003	1	Button
D79R	2R-09-WB-0006	1	Knob for Beeper Timer
D81	B9-04-WB-0051	1	Collar
D82C	2E-05-WB-0006	1	Zytron Thermostat
D82D	2E-70-WB-0047	1	Probe for Zytron Thermostat
D82E	Unknown - NLA	1	1/4" Machined Tube for Probe
D83M	Unknown - NLA	1	Mallory Timer
D86	B9-40-WB-0046	1	Terminal Assembly for Front Arms
D87B	B9-04-WB-0002	2	Element Plate
D88B	B9-50-WB-0040	2	Element
D89	2C-08-07-0147	2	Element Clip
D92	B9-30-WB-0105	1	Grid Spacer Assembly for New Diehl Timer
D94	2P-09-WB-0007	1	Beeper
D98	B9-06-WB-0001	1	Insualtion, Top or Bottom
D100	2A-09-07-0076	4	Foot
D101	2G-12-07-0011	1	Box & Pads
D102	B9-04-WB-0070	1	Bottom Cover
D103	B9-70-WB-0007	1	Top Hinge
D104	B9-70-WB-0004	1	Bottom Hinge
D110	B9-04-WB-0069	1	Base
NI	2Z-09-WB-2001		Grid Cleaner
NI	2E-05-07-0005		Lead-In-Cord, Nema #5-15P (120V)
NI	2E-05-07-0052		Lead-In-Cord, Nema #6-15P (240V)

**IMPORTANT: WHEN ORDERING, SPECIFY VOLTAGE OR TYPE GAS DESIRED
INCLUDE MODEL AND SERIAL NUMBER**

PAGE 1
OF 1

Some items are included for illustrative purposes only and in certain instances may not be available.



Star Manufacturing International, Inc.