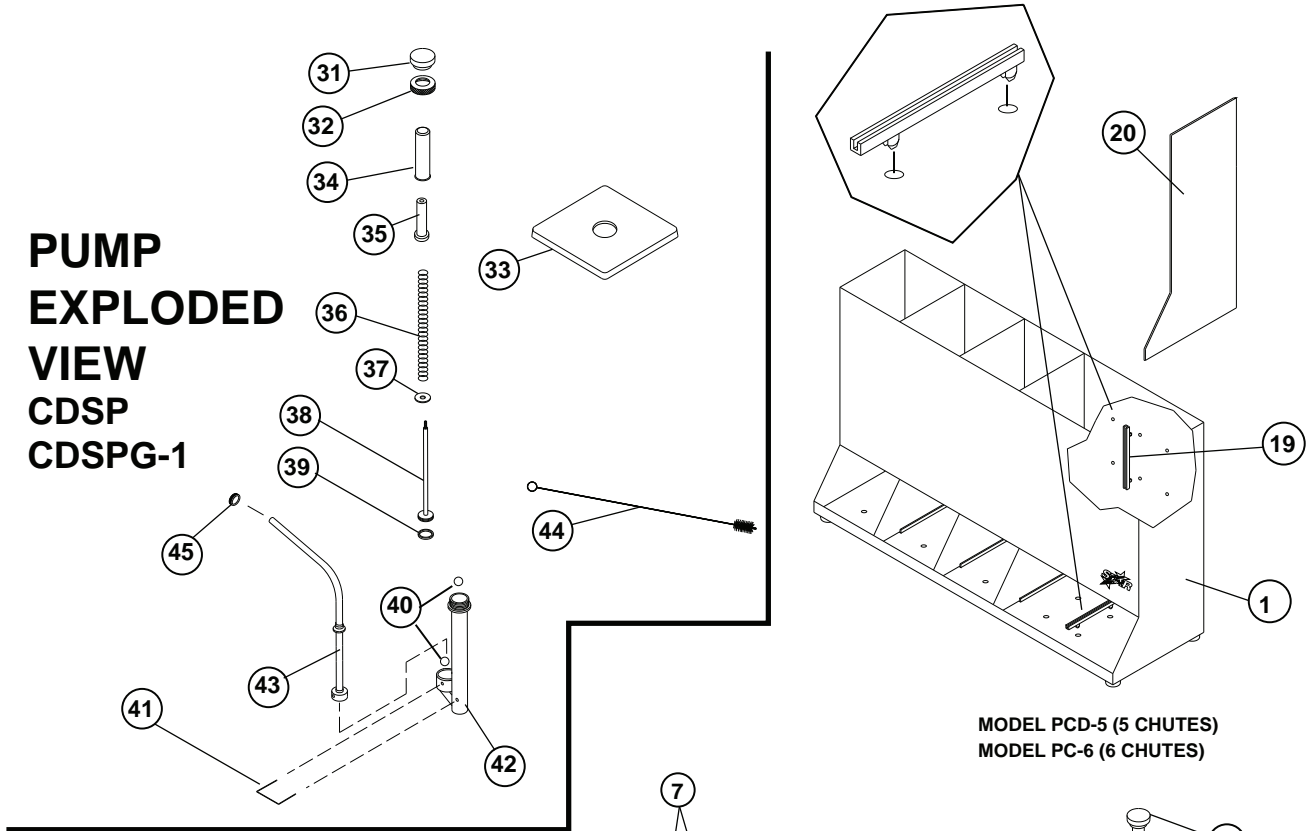
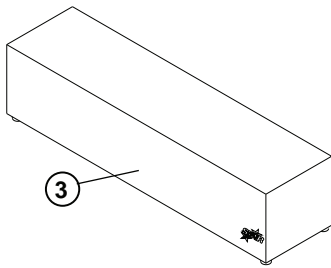


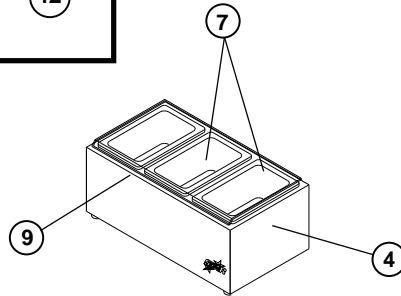
**PUMP  
EXPLODED  
VIEW  
CDSP  
CDSPG-1**



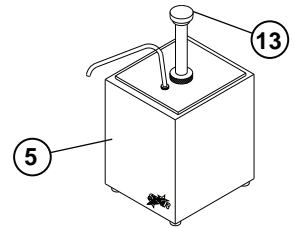
**MODEL PCD-5 (5 CHUTES)  
MODEL PC-6 (6 CHUTES)**



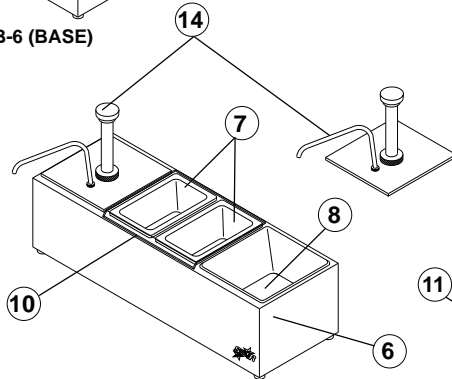
**MODEL PCB-6 (BASE)**



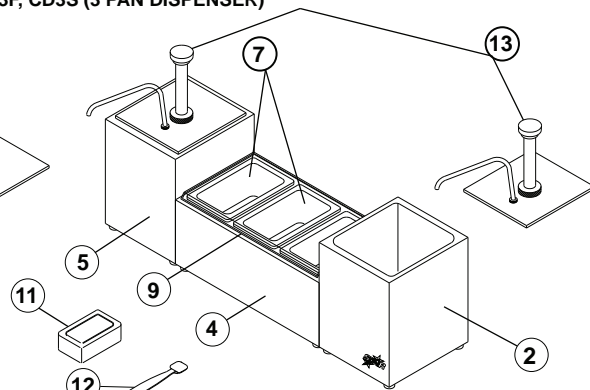
**MODEL CD3F, CD3S (3 PAN DISPENSER)**



**MODEL CD1PG (1 PUMP)**



**MODEL CD2P-2  
(2 PUMP DISPENSER W/2 PANS)**



**MODEL CD2PG-3  
(2 PUMP DISPENSER W/3 PANS)**



**MODELS: CD3, CD2P-2, CD2P-3CK,  
CD2PG-3, CD1PG,  
PCD-5, PC-6, PCB-6.**

**STAR MANUFACTURING INTERNATIONAL, INC.**

SK1266

REV. B

9/13/05

# PARTS LIST

June 26, 2006, Rev I

MODEL CD2P, CD5, CD2P-3, CD3, CD2P-2, CD2PG-3,  
CD1PG, PCD-5, PCD-6, PCB-6 Condiment Dispensers

Key Number	Part Number	Number Per Unit	Description and Model Designation
1	W1-20020	1	BODY ASSEMBLY PCD-5
	W1-20016	1	BODY ASSEMBLY PC-6
2	W1-20042	1	BODY ASSY CD2PG-3
3	W1-20037	1	BODY ASSY PCB-5
	W1-20015	1	BODY ASSEMBLY PCB-6
4	W1-20021	1	BODY ASSEMBLY CD3
5	W1-20022	1	BODY ASSEMBLY CD1PG
6	W1-20019	1	BODY ASSEMBLY CD2P-2
7	W1-20005	3/3/2	PAN 1/9 w/ICE PACK BRACKETS CD3/CD2PG-3/CD2P-2
8	2D-Y8636	2	PAN 1/6 CD2P-2, CD2P-DM
9	W1-20048	1	LEXAN LID CD3, CD2PG-3, CD2P-3
10	W1-20047	1	COVER-LEXAN CD2P-2
11	2L-Y8657	3/3/2	BLUE ICE PACK CD3/CD2PG-3/CD2P-2
12	2L-Y8693	3/3/2	SPOODLE CD2PG-3/CD3/CD2P-2
13	W1-20025	1	PUMP ASSEMBLY RED CD1PG, CD2PG-3
	W1-20026	1	PUMP ASSEMBLY YELLOW CD2PG-3
14	W1-20001	1	PUMP ASSEMBLY COMP. - RED CD2P-3, CD2P-SERIES
	W1-20002	1	PUMP ASSEMBLY COMP. - YELLOW CD2P-3, CD2P-SERIES
15	W1-20043	1	BODY ASSEMBLY CD2P-3
16	WI-20008	1	BODY ASSY CD2P-SERIES
17	W1-20040	1	BODY ASSEMBLY CD5
18	W1-20049	1	LEXAN LID CD5
19	2R-Y9239	10/12	SLIDE-DIVIDER PCD-5/PC-6
20	W1-Y9292	4/5	DIVIDER PCD-5/PC-6
21	W1-Z1626	1	HINGE BRACKET RIGHT CD3, CD5, CD2PG-3, CD2P-Series
22	W1-Y9077	1	HINGE BRACKET LEFT CD3, CD5, CD2PG-3, CD2P-Series
31	2R-Y9855	1	KNOB - RED CD2P, CD2P-2, CD2PG-3, CD1PG, CD2P-Series
	OR		
31	2R-Y9856	1	KNOB - YELLOW CD2P, CD2P-2, CD2PG-3, CD1PG, CD2P-Series
32	2A-Y9637	1	NUT - CYLINDER SLEEVE CD2P, CD2P-2, CD2PG-3, CD1PG
33	W1-Y8610	1	COVER - PUMP CD2P, CD2P-2, CD2PG-3, CD1PG
34	2V-Y4138	1	SHIELD - PLUNGER ROD CD2P, CD2P-2
34	2V-Y7661	1	SHIELD - PLUNGER ROD (1 GAL.) CD2P, CD2P-2, CD2PG-3, CD1PG
35	2A-Z0372	1	GUIDE - PLUNGER ROD CD2PG-3, CD1PG
36	2P-Z0830	1	SPRING - COMPRESSION CD2P, CD2P-2, CD2PG-3, CD1PG
37	N2-Y4146	1	WASHER - SPRING COMPRESSION CD2P, CD2P-2, CD2PG-3, CD1PG
38	2I-Y9636	1	ROD/PLUNGER CD2P, CD2P-2, CD2PG-3, CD1PG
39	2I-Y4143	1	O-RING - PISTON CD2P, CD2P-2, CD2PG-3, CD1PG
40	2P-Y6196	2	BALL - VALVE CD2P, CD2P-2, CD2PG-3, CD1PG
41	2C-Y6879	1	PIN - "U" CD2P, CD2P-2, CD2PG-3, CD1PG
42	2V-Y9182	1	PUMP CHAMBER CD2P, CD2P-2
42	2I-Z0732	1	PUMP CHAMBER (1 GALLON) CD2PG-3, CD1PG
43	2V-62010	1	DISPENSE TUBE ASSEMBLY CD2P, CD2P-2
43	WI-62009	1	DISPENSE TUBE ASSEMBLY (1 GAL.) CD2PG-3, CD1PG
44	2P-Y6211	1	BRUSH CD2P, CD2P-2, CD2PG-3, CD1PG
45	2A-Y7658	1	NUT-SLEEVE-TUBE CD2P, CD2P-2, CD2PG-3, CD1PG
NI	2I-H7685	8	FEET
NI	2C-7139	8	SCREW, FEET

**IMPORTANT: WHEN ORDERING, SPECIFY VOLTAGE OR TYPE GAS DESIRED  
INCLUDE MODEL AND SERIAL NUMBER**

**PAGE** 1  
**OF** 1

Some items are included for illustrative purposes only and in certain instances may not be available.



**Star Manufacturing International, Inc.**